



US00D906485S

(12) **United States Design Patent** (10) **Patent No.:** **US D906,485 S**
Fowler (45) **Date of Patent:** **** Dec. 29, 2020**

(54) **SHAFT SEAL**
(71) Applicant: **Natural Gas Solutions North America, LLC**, Houston, TX (US)
(72) Inventor: **Robert Erling Fowler**, Houston, TX (US)
(73) Assignee: **Natural Gas Solutions North America, LLC**, Houston, TX (US)
(**) Term: **15 Years**
(21) Appl. No.: **29/619,204**
(22) Filed: **Sep. 27, 2017**
(51) **LOC (12) Cl.** **23-01**
(52) **U.S. Cl.**
USPC **D23/259**
(58) **Field of Classification Search**
USPC D23/259, 260, 262, 269; 285/901, 285/42-50; 417/454; 277/351-359, 277/361-364, 382, 392, 394-395, 504, 277/553, 549, 562-563, 572, 641-644, 277/602-603, 605-607, 609, 616-617, 277/623, 650-652, 314-316
CPC .. E03C 1/30; E03C 1/222; E03C 1/286; F16L 55/07; F16L 55/1007; F16L 55/1015; F16L 55/1108; F16L 55/1152; F16L 25/14; F16L 5/02; F16L 5/10; F04B 53/16; F04B 53/143; F16J 15/3268; F16J 15/106; E04D 13/1406; E04D 13/1407; F16K 3/0227; F16K 51/02; F16K 35/00; F16K 49/00; E03B 7/12
See application file for complete search history.

D377,969 S * 2/1997 Grantham D23/262
5,674,055 A 10/1997 Nimberger et al.
6,045,137 A 4/2000 Friend et al.
6,422,569 B1 7/2002 Comes et al.
6,616,146 B2 9/2003 Friend et al.
6,663,110 B2 * 12/2003 Platner F16J 15/164
277/346
D570,457 S * 6/2008 Brown D23/262
(Continued)

FOREIGN PATENT DOCUMENTS

CA 2591186 A1 12/2007
CN 105257618 A 1/2016
(Continued)

OTHER PUBLICATIONS

Schoppe, M.W., et al., Containing fluid leaks on additive pumps, GE co-pending U.S. Appl. No. 15/717,505, filed Sep. 27, 2017.

Primary Examiner — Amy C Wierenga
(74) *Attorney, Agent, or Firm* — Paul Frank + Collins P.C.

(57) **CLAIM**

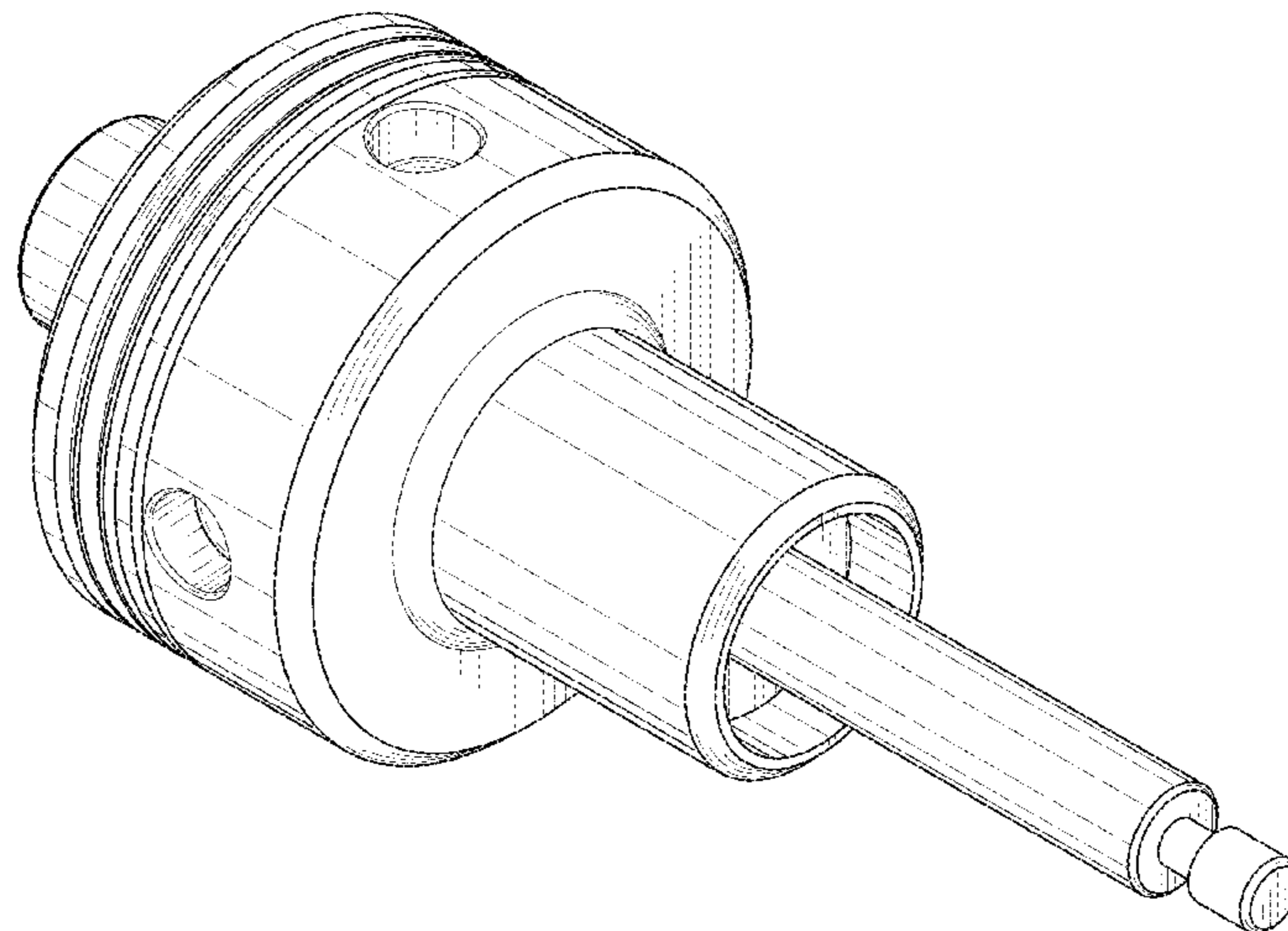
The ornamental design for a shaft seal, as shown and described.

DESCRIPTION

FIG. 1 is a perspective view from above illustrating the top and right side of a shaft seal;
FIG. 2 is an elevation view of the front of the shaft seal of FIG. 1;
FIG. 3 is an elevation view of the right side of the shaft seal of FIG. 1; and,
FIG. 4 is an elevation view of the left side of the shaft seal of FIG. 1.
Where applicable, portions of the shaft seal are shown in broken lines herein for illustrative purposes only, and form no part of the claim.

1 Claim, 3 Drawing Sheets

(56) **References Cited**
U.S. PATENT DOCUMENTS
3,854,733 A * 12/1974 Wilson F16J 15/32
277/553
4,071,254 A 1/1978 Raimondi et al.
4,606,652 A * 8/1986 Swearingen F16J 15/006
277/348



(56)

References Cited

U.S. PATENT DOCUMENTS

7,481,635	B2 *	1/2009	Nishikawa	F01C 21/0845 277/549
D600,322	S *	9/2009	Forsythe	D23/260
D600,323	S *	9/2009	Forsythe	D23/260
D607,546	S *	1/2010	Forsythe	D23/262
D608,423	S *	1/2010	Forsythe	D23/262
7,988,156	B2	8/2011	Morrison	
7,993,425	B2 *	8/2011	Corattiyil	F16N 39/002 138/89
D645,547	S *	9/2011	Lombardi	D23/262
9,341,175	B2	5/2016	Ramos	
D776,791	S *	1/2017	Itou	D23/237
9,605,672	B2	3/2017	Harvey et al.	
2004/0056424	A1	3/2004	Busse et al.	
2004/0206229	A1	10/2004	Morrison	
2004/0227301	A1	11/2004	Wood et al.	
2005/0087935	A1	4/2005	Hughes	
2013/0067710	A1 *	3/2013	Williams	B25B 27/0028 29/275
2016/0121097	A1 *	5/2016	Steele	A61M 39/20 138/89

FOREIGN PATENT DOCUMENTS

CN	105927739	A	9/2016
DE	202007018684	U1	2/2009
EP	1273835	A2	8/2003
GB	836509	A	6/1960

* cited by examiner

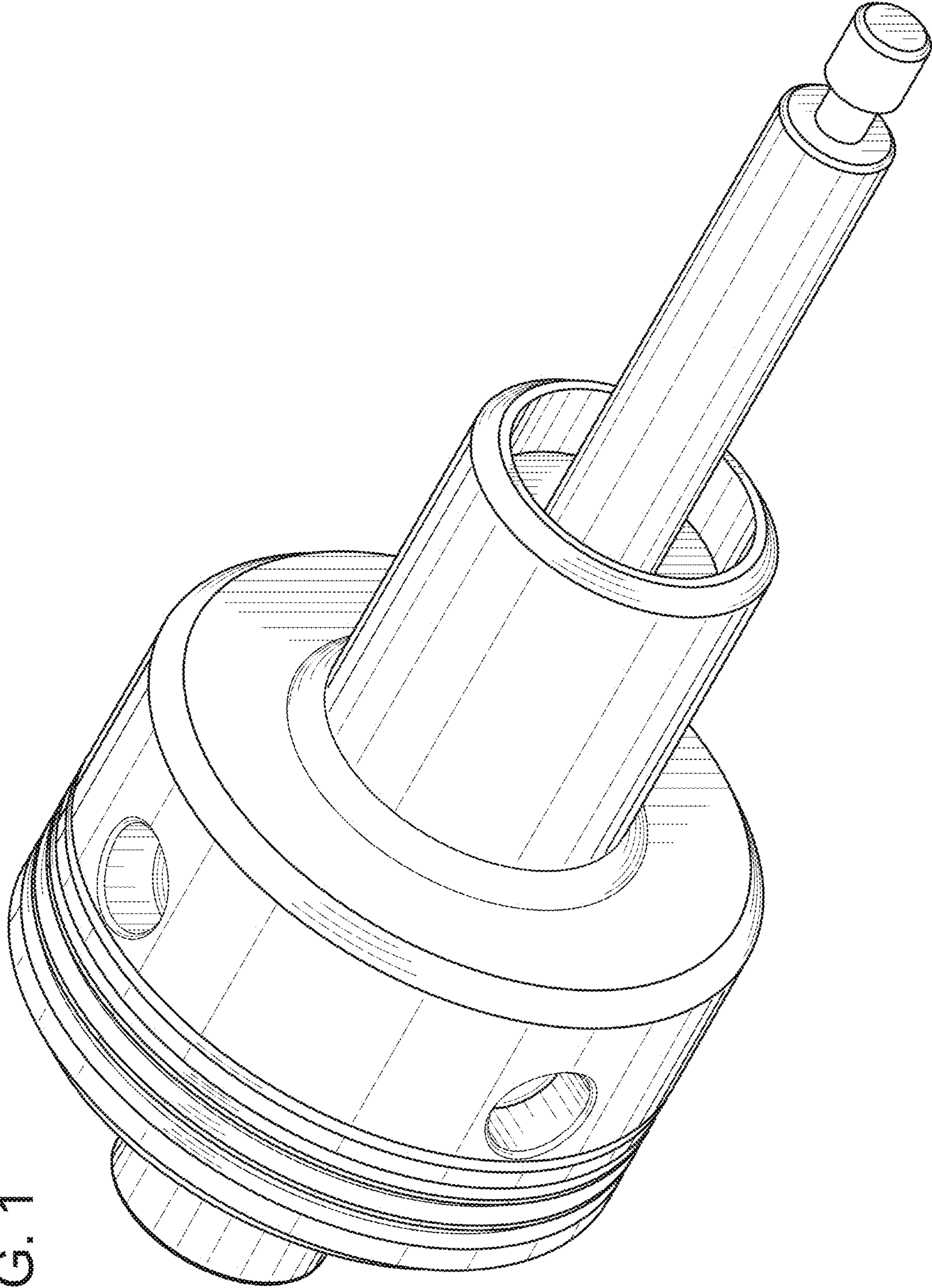


FIG. 1

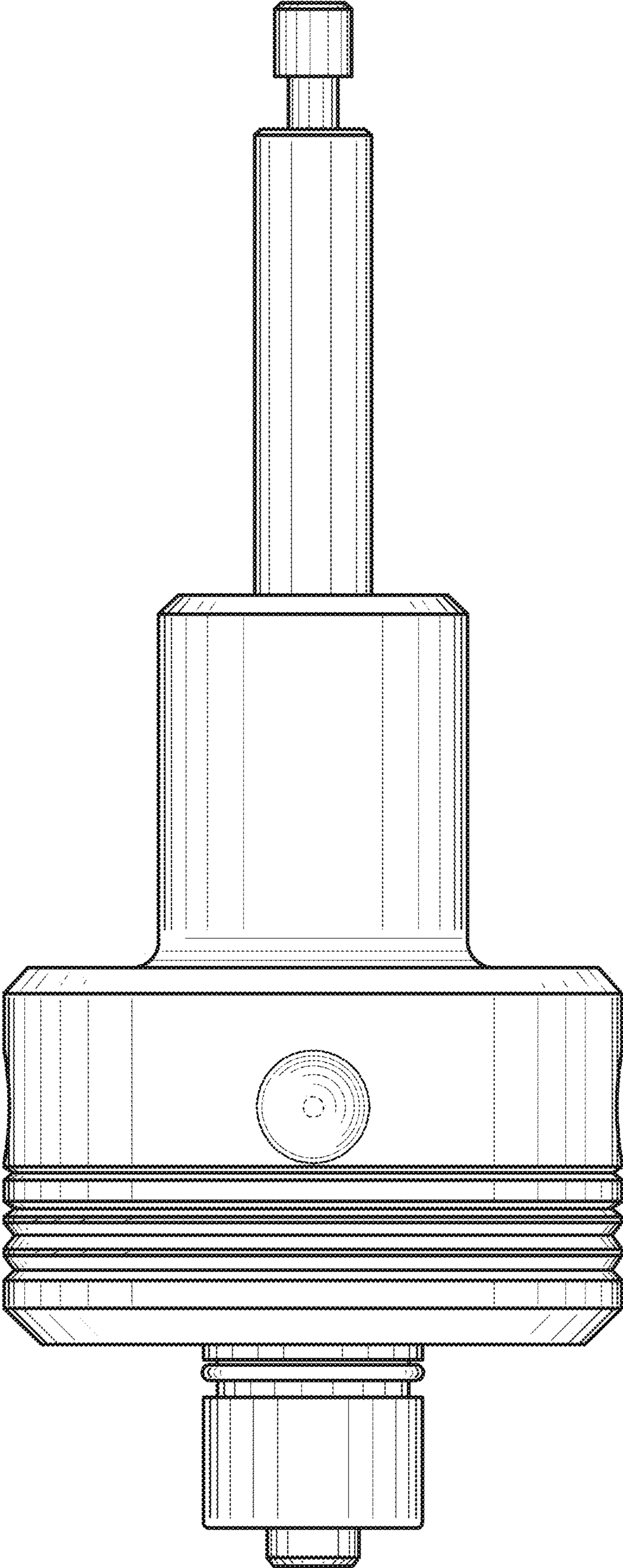


FIG. 2

FIG. 4

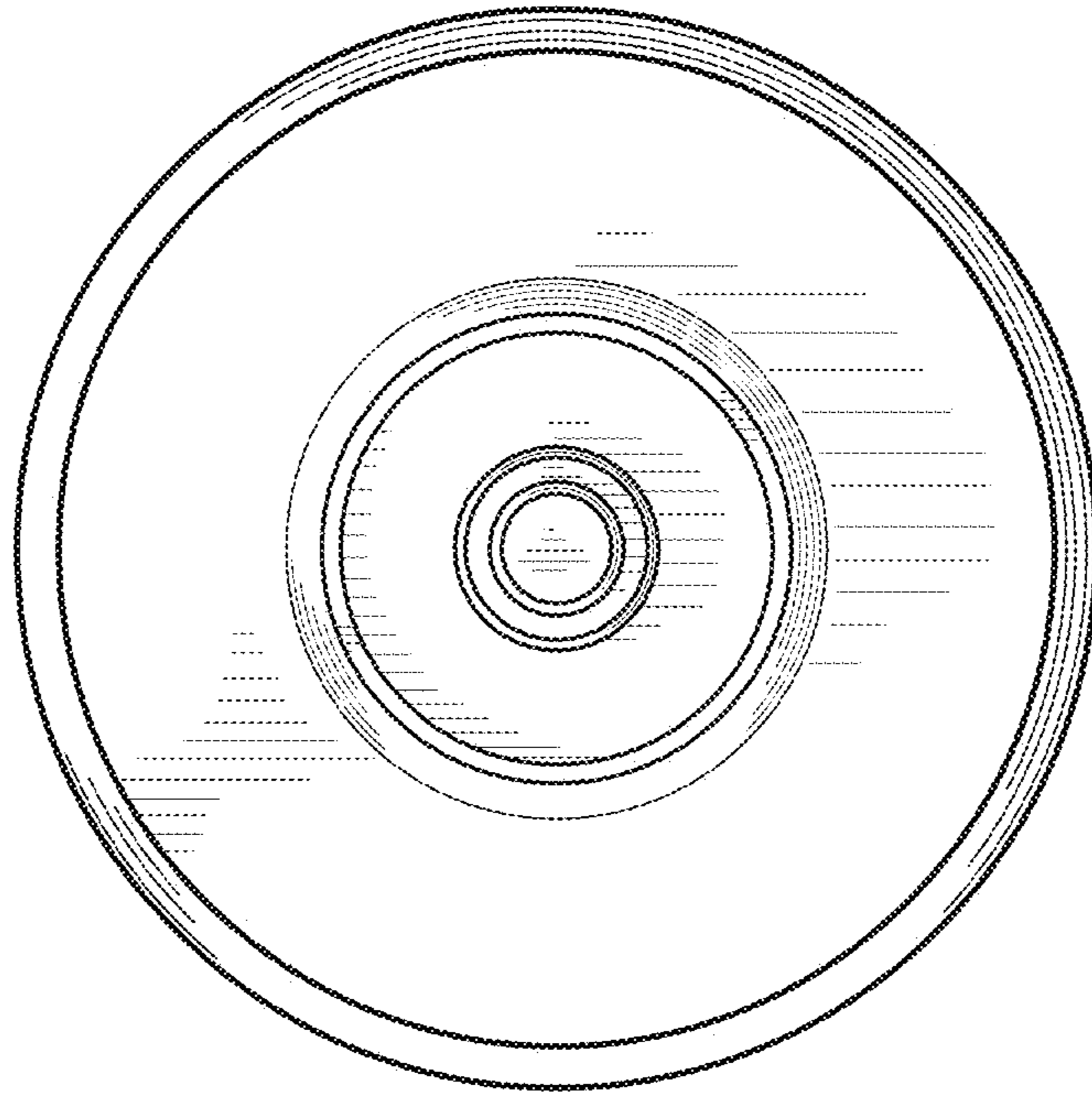


FIG. 3

