



US00D906483S

(12) **United States Design Patent** (10) **Patent No.:** **US D906,483 S**  
**Seum et al.** (45) **Date of Patent:** **\*\* Dec. 29, 2020**

(54) **WATER VALVE**

D743,508 S \* 11/2015 Nikles ..... D23/252  
D783,131 S \* 4/2017 Wang ..... D23/254  
D820,412 S \* 6/2018 Seum ..... D23/254

(71) Applicant: **Grohe AG**, Hemer (DE)

\* cited by examiner

(72) Inventors: **Michael Seum**, Duesseldorf (DE);  
**Jochen Allard**, Duesseldorf (DE)

*Primary Examiner* — Robert A Delehanty

(73) Assignee: **Grohe AG**, Hemer (DE)

(74) *Attorney, Agent, or Firm* — Muncy, Geissler, Olds & Lowe, P.C.

(\*\*) Term: **15 Years**

(21) Appl. No.: **29/681,681**

(57) **CLAIM**

(22) Filed: **Feb. 27, 2019**

The ornamental design for a water valve, as shown and described.

(30) **Foreign Application Priority Data**

Aug. 27, 2018 (EM) ..... 005621687-0015

(51) **LOC (12) Cl.** ..... **23-01**

(52) **U.S. Cl.**  
USPC ..... **D23/254**

(58) **Field of Classification Search**  
USPC ..... D23/250, 252, 254, 238–243, 249;  
D8/307–308, 352  
CPC ..... E03C 1/0408; E03C 1/09; E03C 1/042;  
E03C 1/0412  
See application file for complete search history.

**DESCRIPTION**

FIG. 1 is a front perspective view of a water valve according to the present invention.

FIG. 2 is a front view of the water valve of FIG. 1.

FIG. 3 is a rear view of the water valve of FIG. 1.

FIG. 4 is a left side view of the water valve of FIG. 1.

FIG. 5 is a right side view of the water valve of FIG. 1.

FIG. 6 is a top view of the water valve of FIG. 1; and,

FIG. 7 is a bottom view of the water valve of FIG. 1.

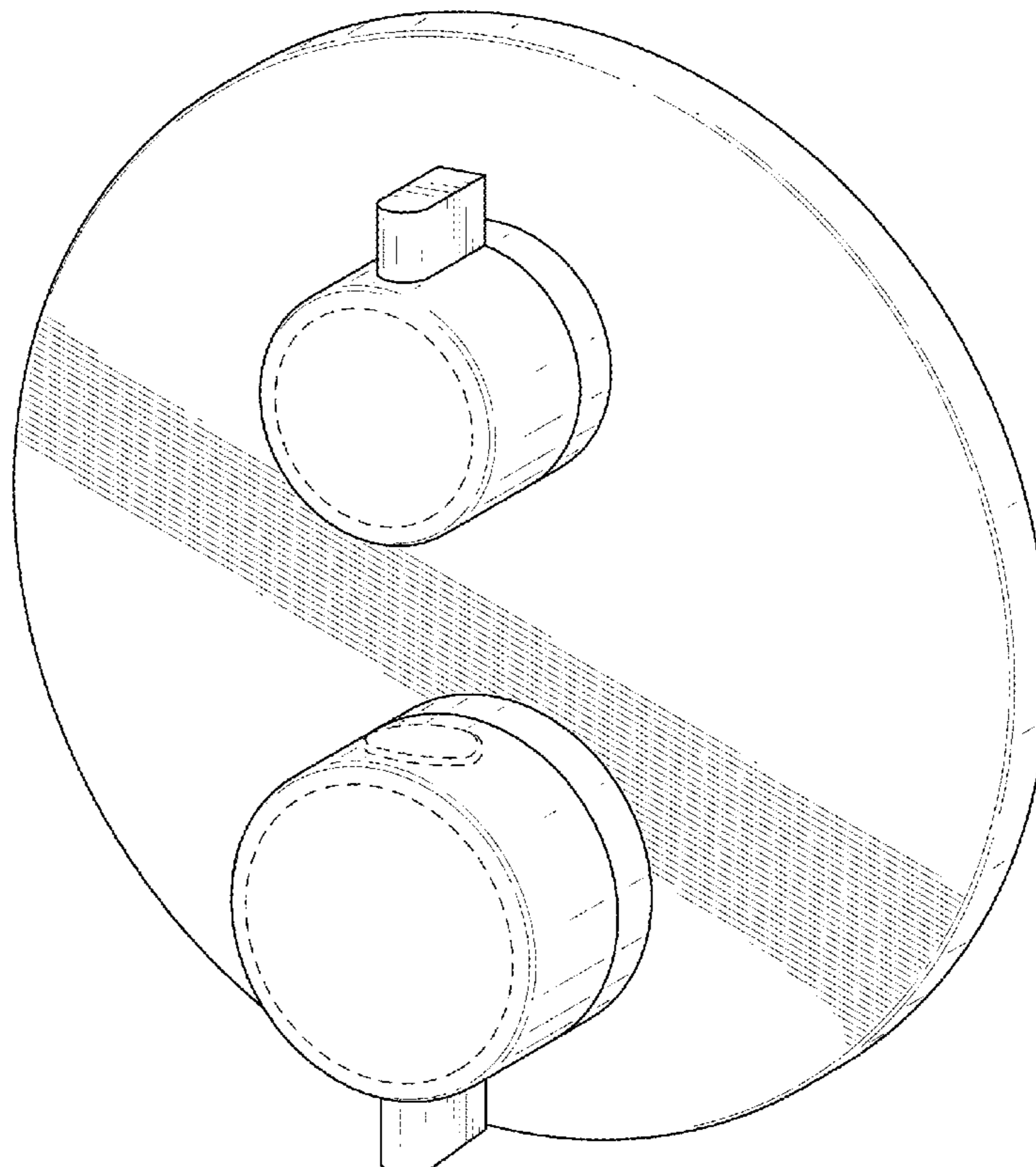
The dashed lines shown on the front face of the knobs and on the rear water valve define the bounds of the claimed design and no claim is made to the material illustrated with dashed lines thereof.

(56) **References Cited**

**U.S. PATENT DOCUMENTS**

D300,942 S \* 5/1989 Paul ..... D23/242  
D627,444 S \* 11/2010 Yokoyama ..... D23/254

**1 Claim, 7 Drawing Sheets**



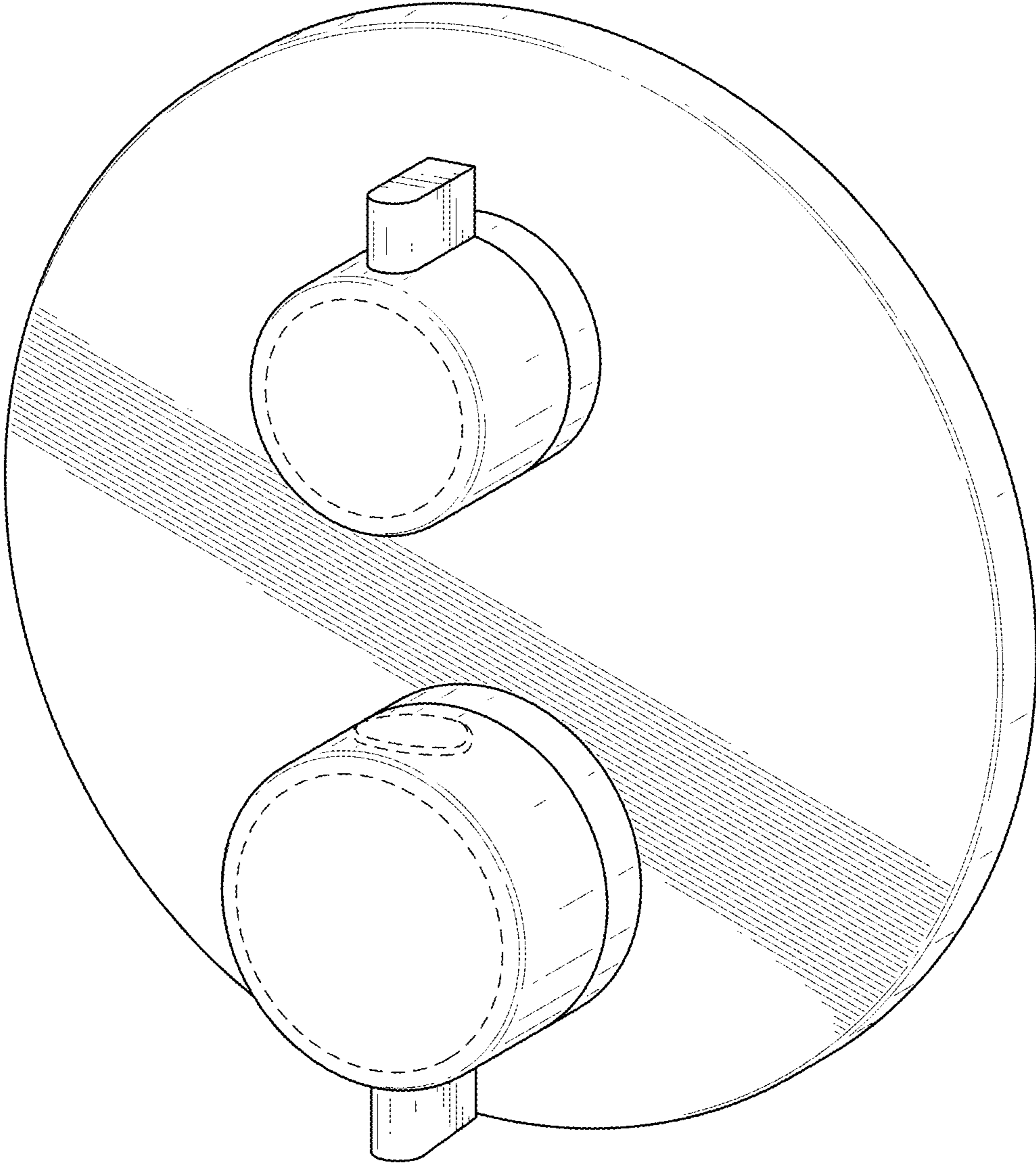


FIG.1

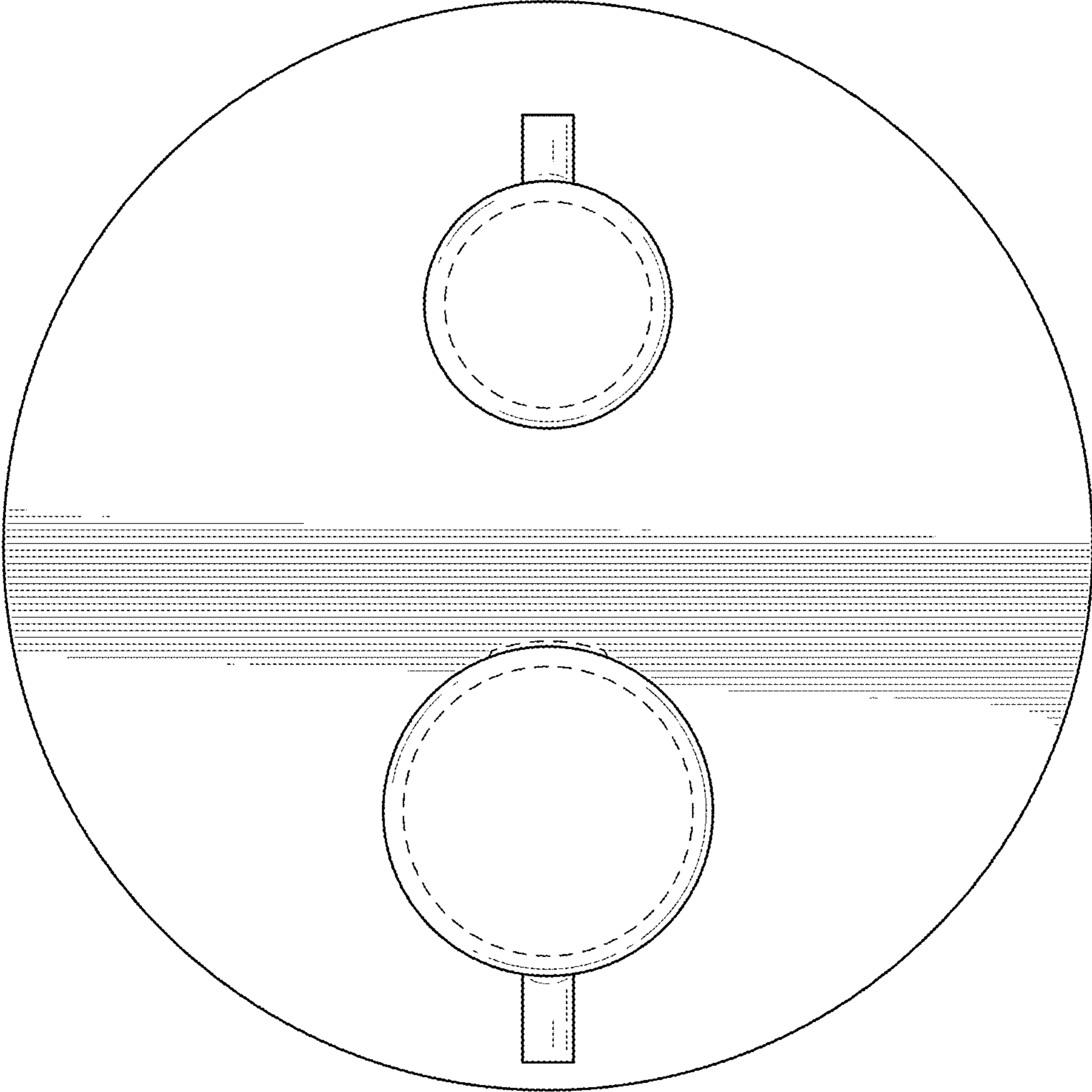


FIG.2

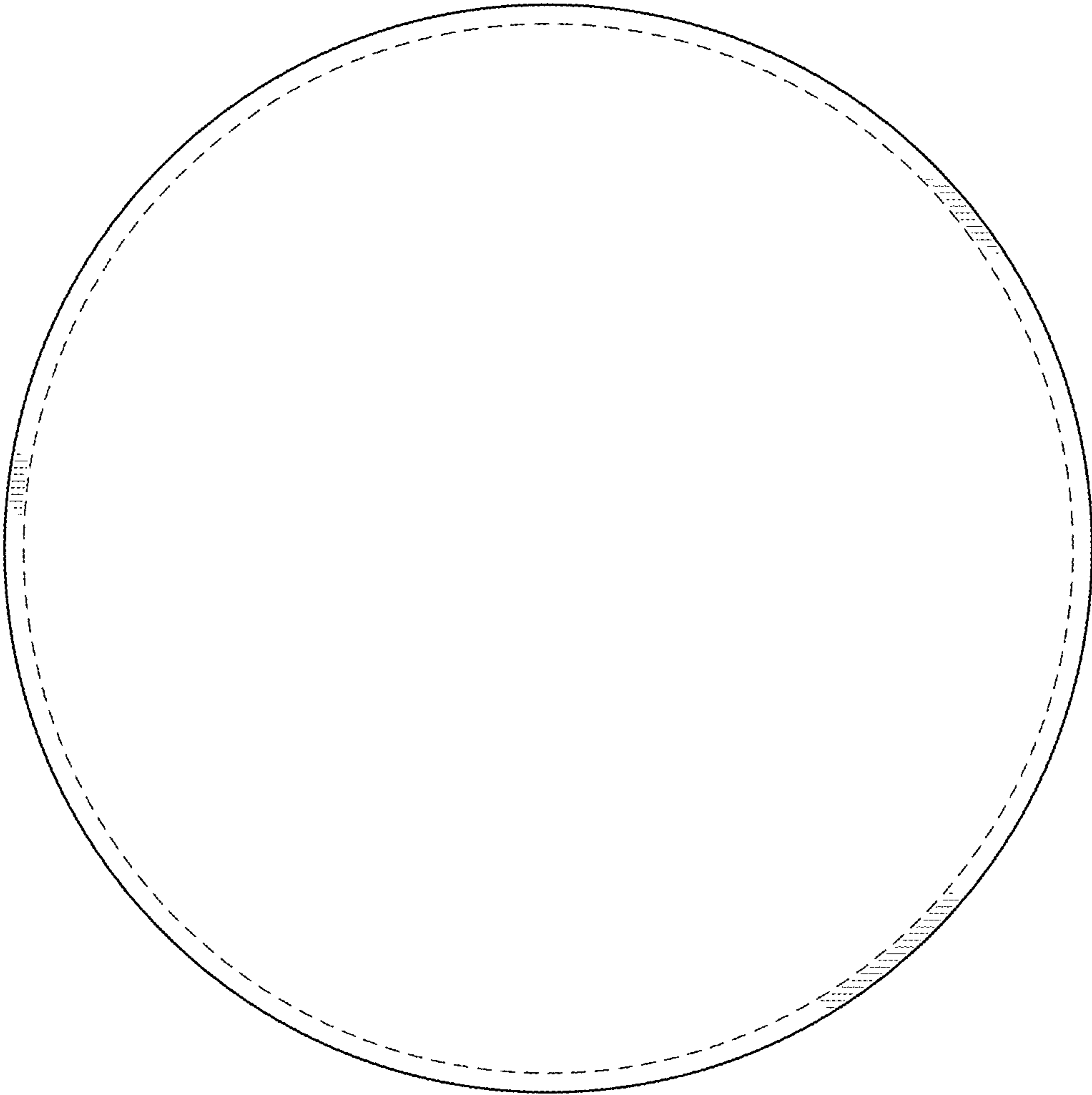


FIG.3

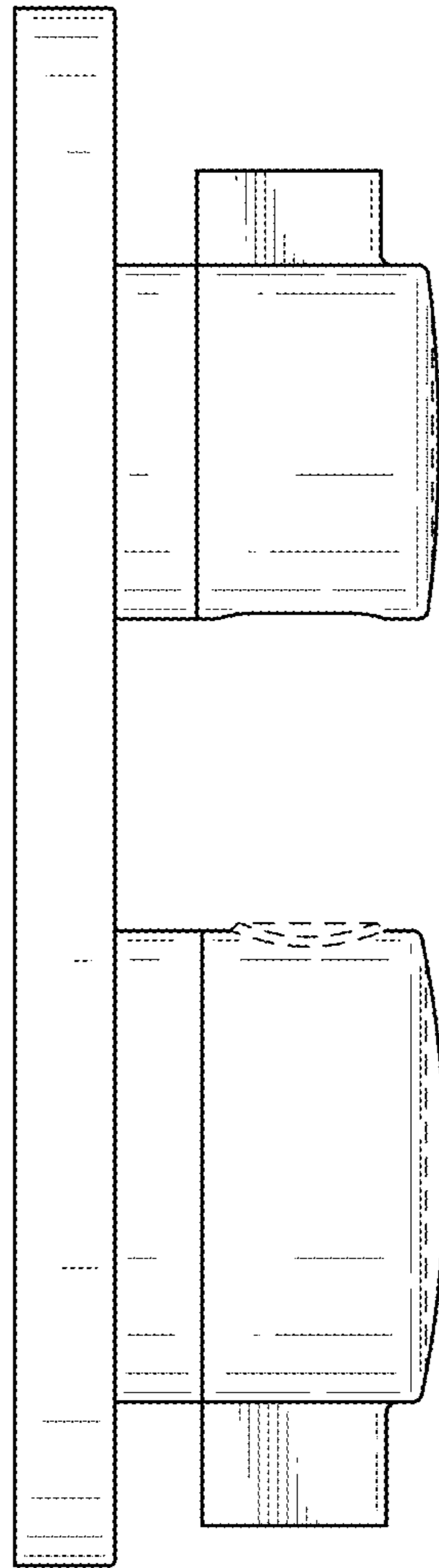


FIG.4

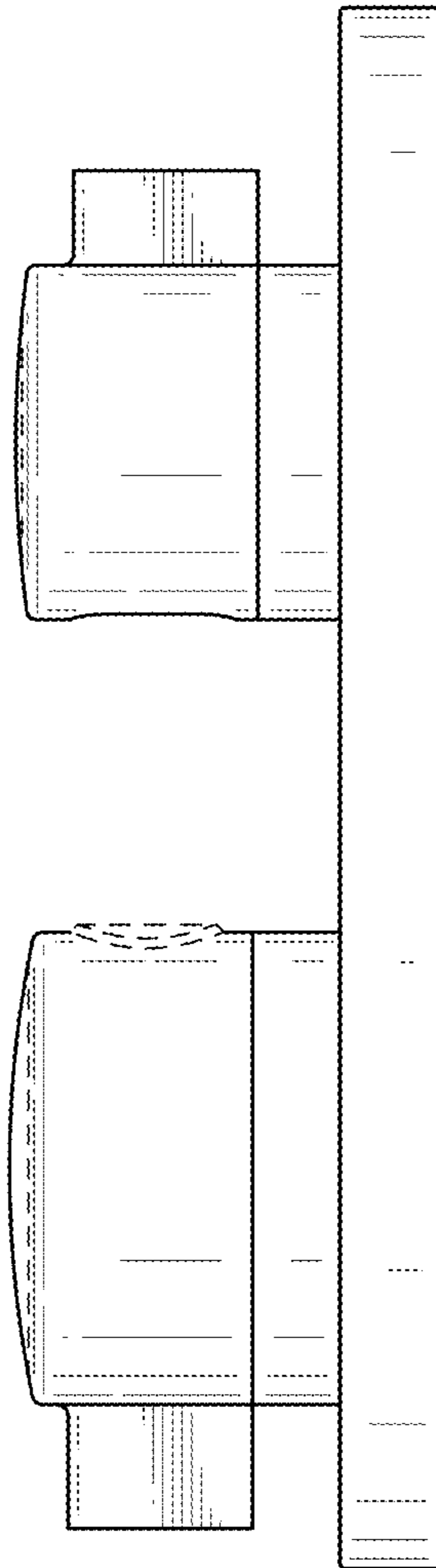


FIG.5

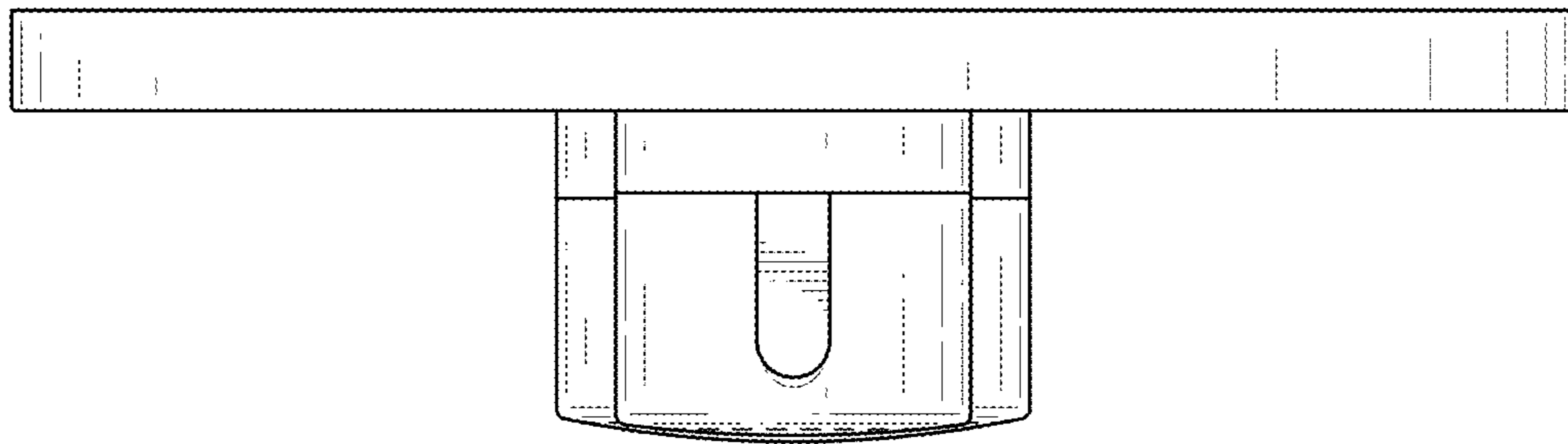


FIG.6

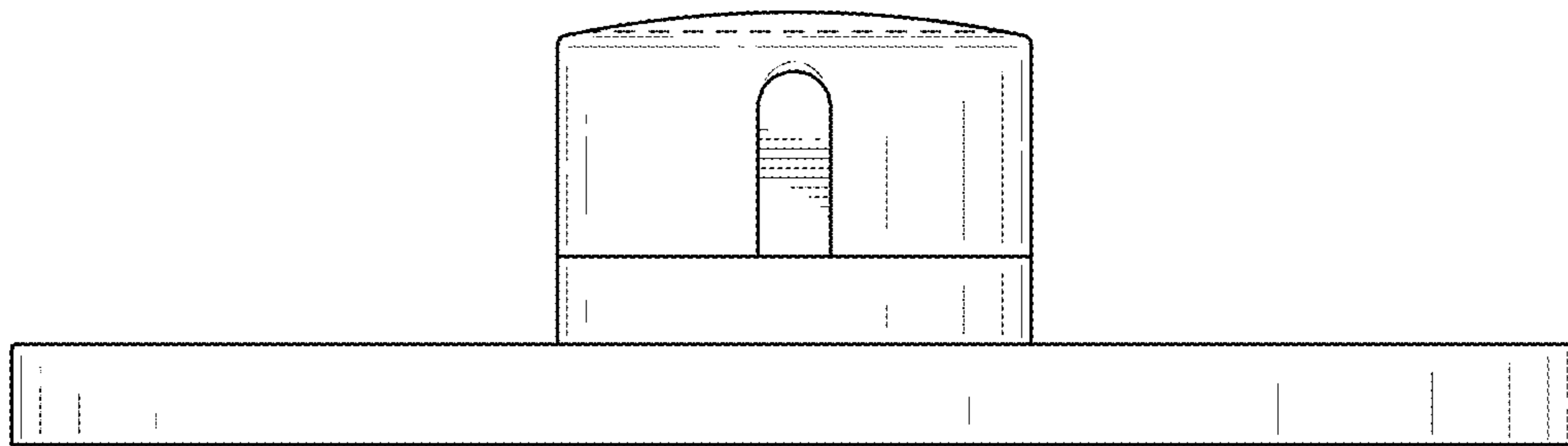


FIG.7