



US00D906481S

(12) **United States Design Patent**  
**Zhao**

(10) **Patent No.:** **US D906,481 S**

(45) **Date of Patent:** **\*\* Dec. 29, 2020**

(54) **FAUCET**

(71) Applicant: **Xiamen Weco Kitchen and Bath Industry Co., Ltd, Fujian (CN)**

(72) Inventor: **Wei-Dong Zhao, Xiamen (CN)**

(73) Assignee: **Xiamen Weco Kitchen and Bath Industry Co., Ltd, Fujian (CN)**

(\*\*) Term: **15 Years**

(21) Appl. No.: **29/696,225**

(22) Filed: **Jun. 26, 2019**

(51) **LOC (12) Cl.** ..... **23-01**

(52) **U.S. Cl.**  
USPC ..... **D23/242**

(58) **Field of Classification Search**  
USPC ..... D23/238–243, 249–250, 252, 254, 245;  
D8/352

See application file for complete search history.

(56) **References Cited**

**U.S. PATENT DOCUMENTS**

D373,179 S \* 8/1996 Sieger ..... D23/241  
D495,401 S \* 8/2004 Smith ..... D23/252

D519,610 S \* 4/2006 Fritz ..... D23/241  
D564,073 S \* 3/2008 Shieh ..... D23/238  
9,328,486 B2 \* 5/2016 Chong ..... E03C 1/0404

\* cited by examiner

*Primary Examiner* — Robert A Delehanty

(74) *Attorney, Agent, or Firm* — J.H. Lin Patent Law P.C.; John H. Lin

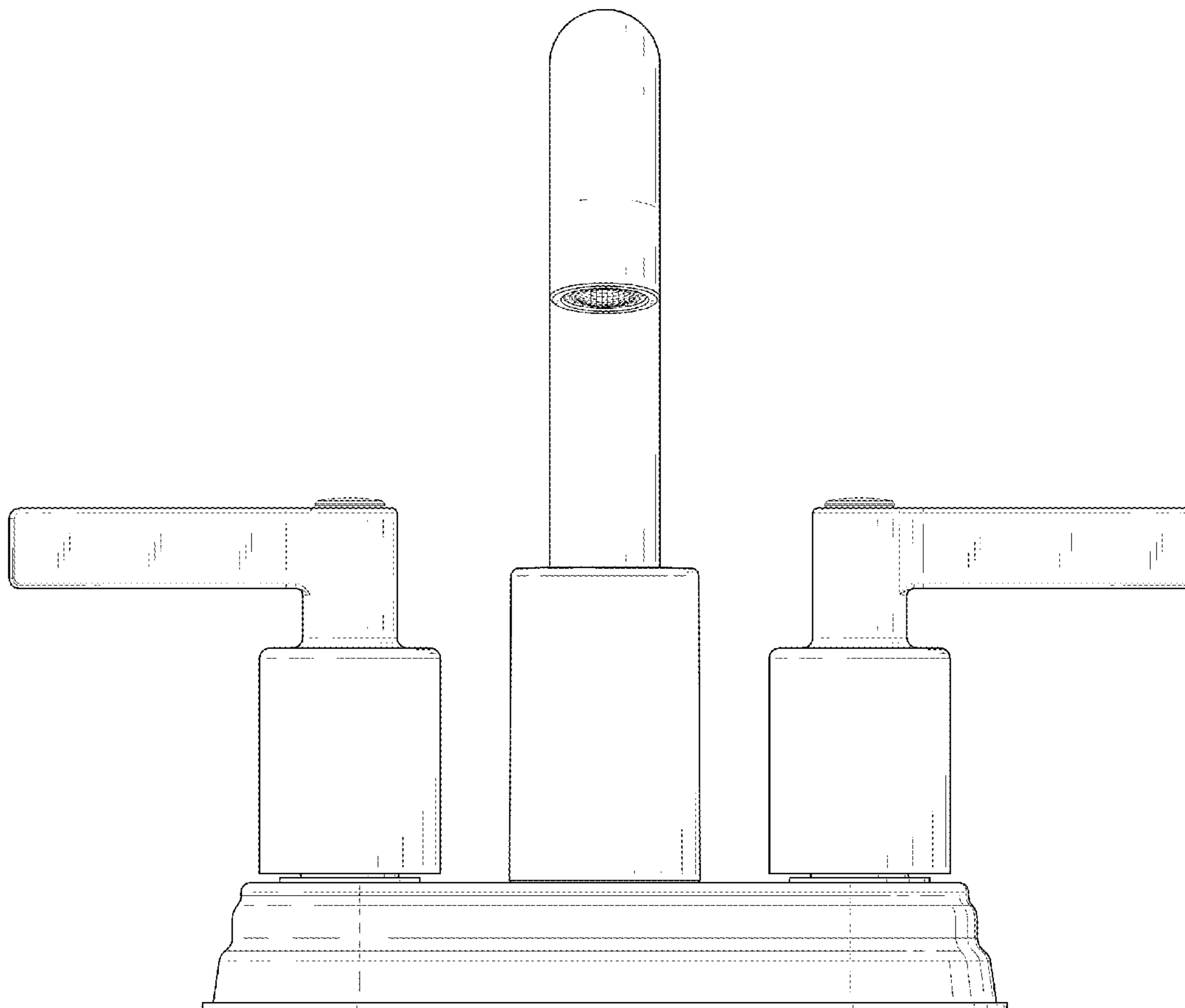
(57) **CLAIM**

The ornamental design for a faucet, as shown and described.

**DESCRIPTION**

FIG. 1 is a front elevation view of a faucet;  
FIG. 2 is a rear elevation view thereof;  
FIG. 3 is a right elevation view thereof;  
FIG. 4 is a left elevation view thereof;  
FIG. 5 is a top plan view thereof;  
FIG. 6 is a bottom plan view thereof; and,  
FIG. 7 is a perspective view thereof.  
The broken lines in the FIGURES show portions of the faucet which form no part of the claimed design.

**1 Claim, 7 Drawing Sheets**



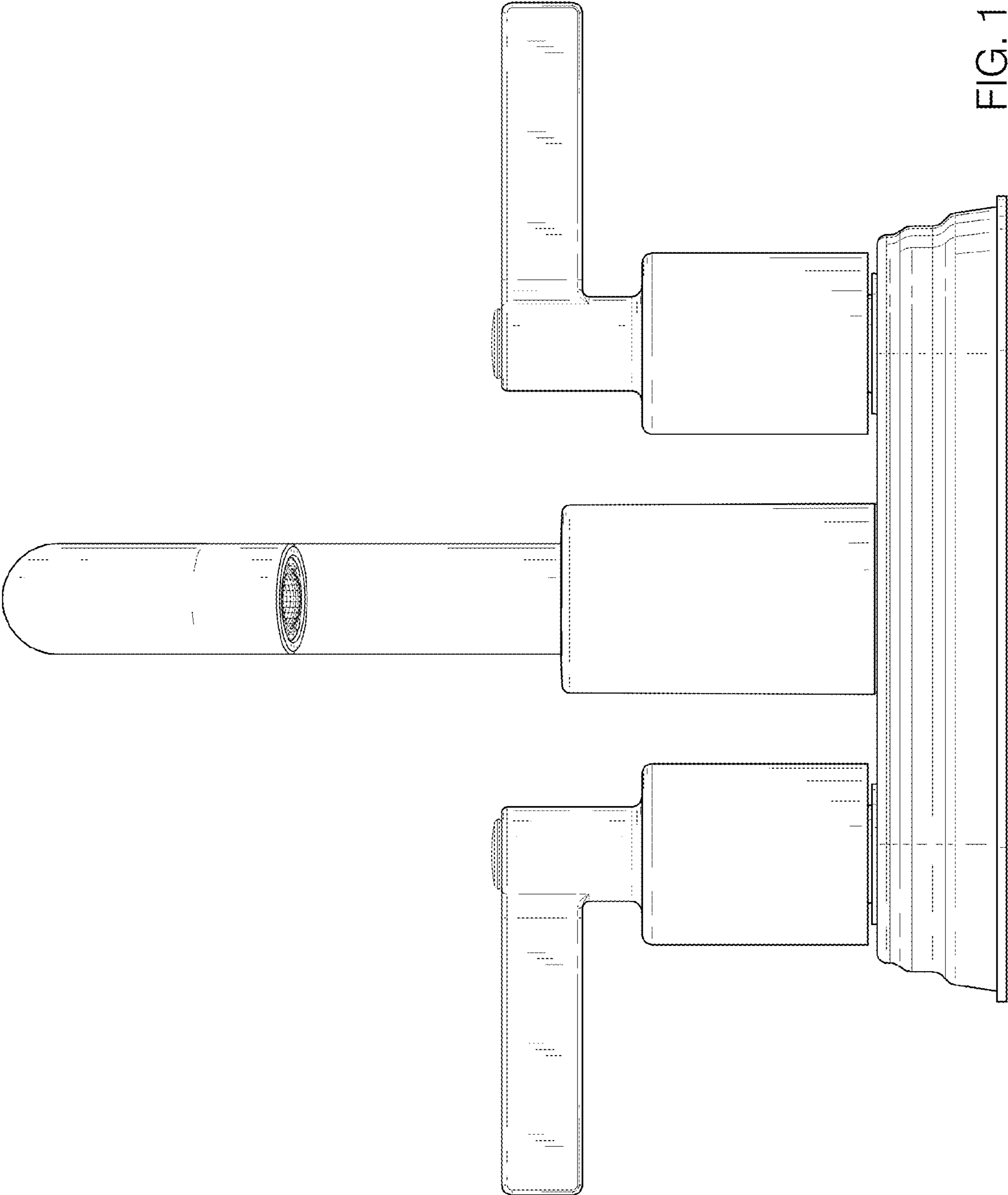


FIG. 1

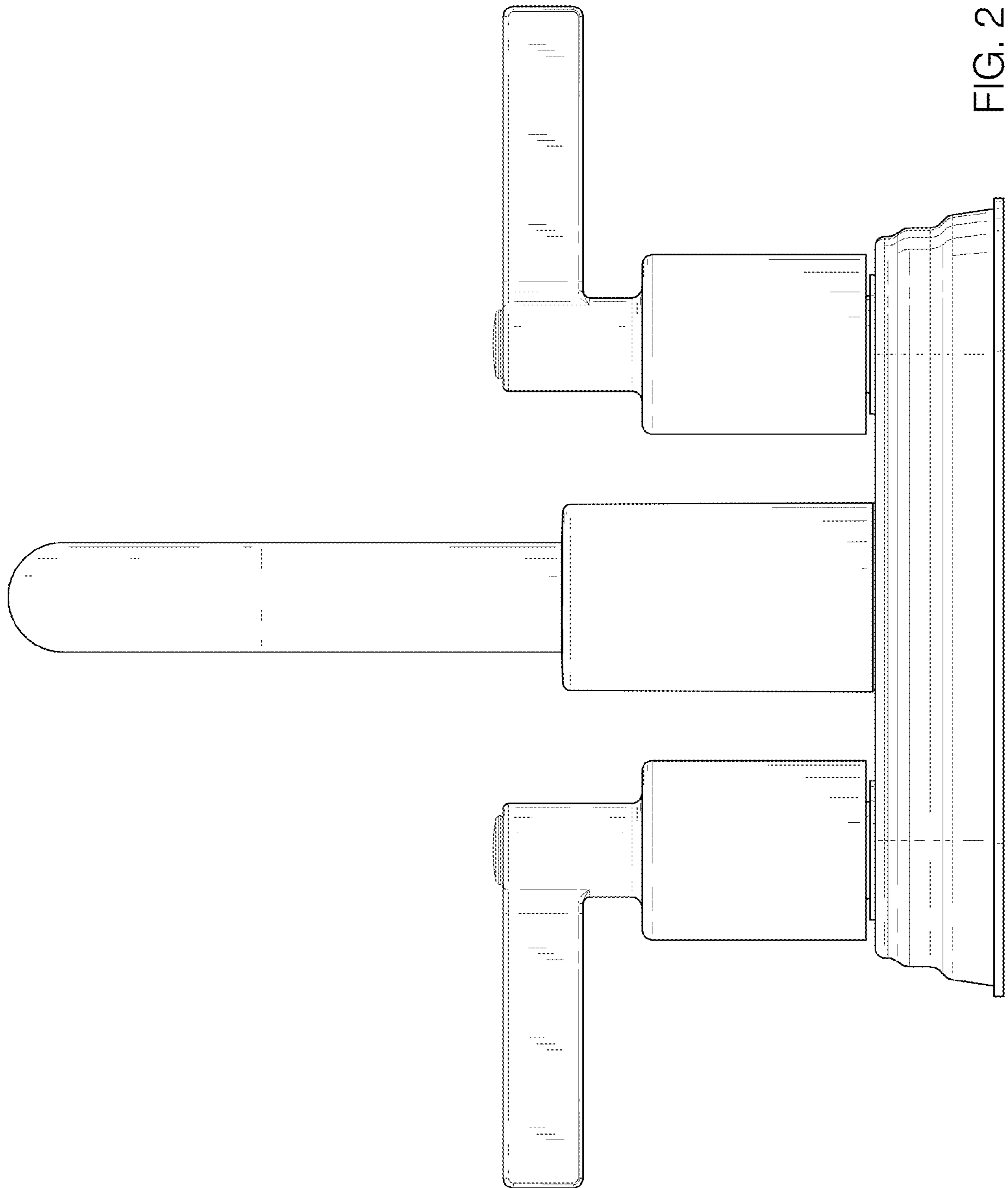


FIG. 2

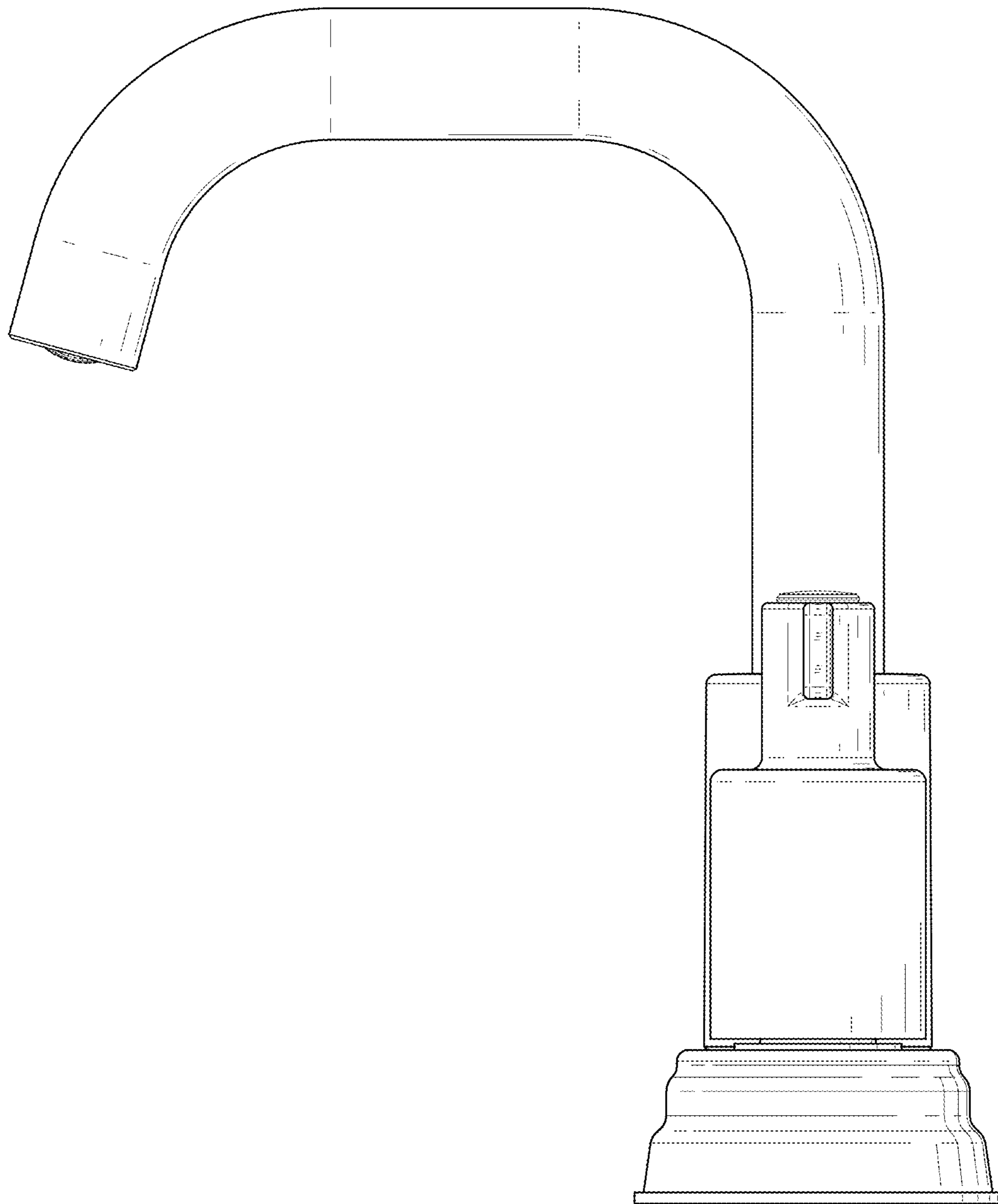


FIG. 3

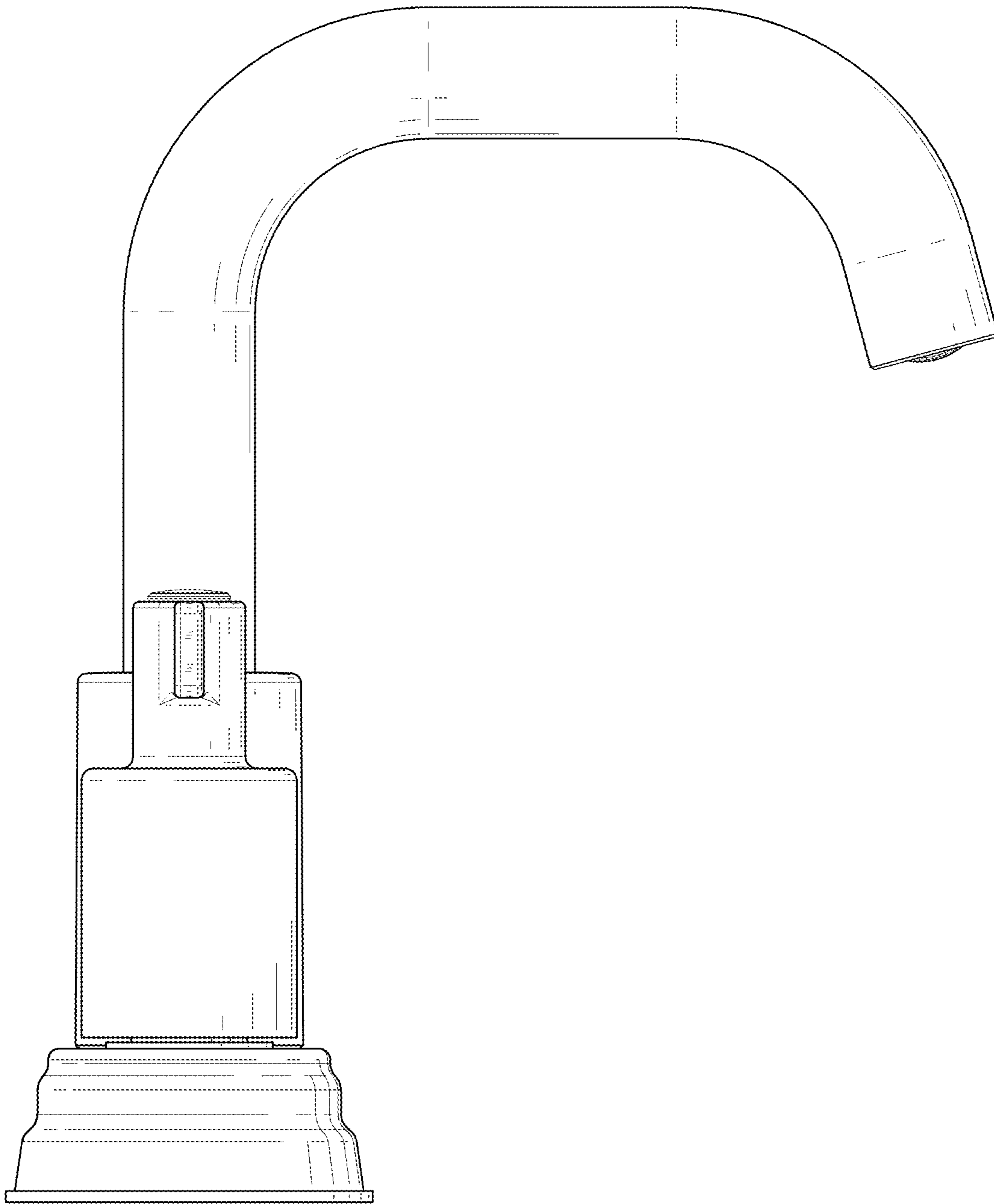


FIG. 4

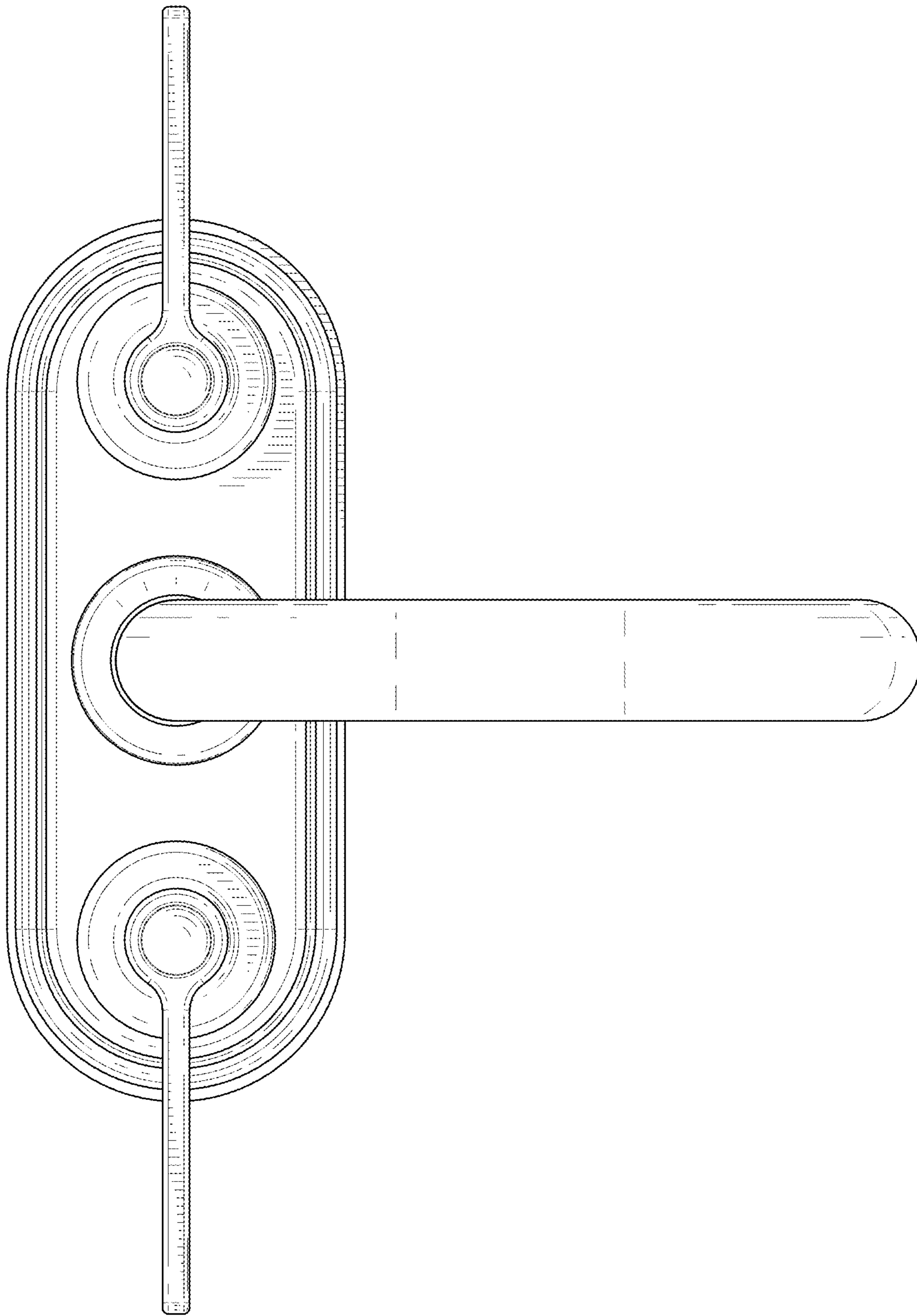


FIG. 5

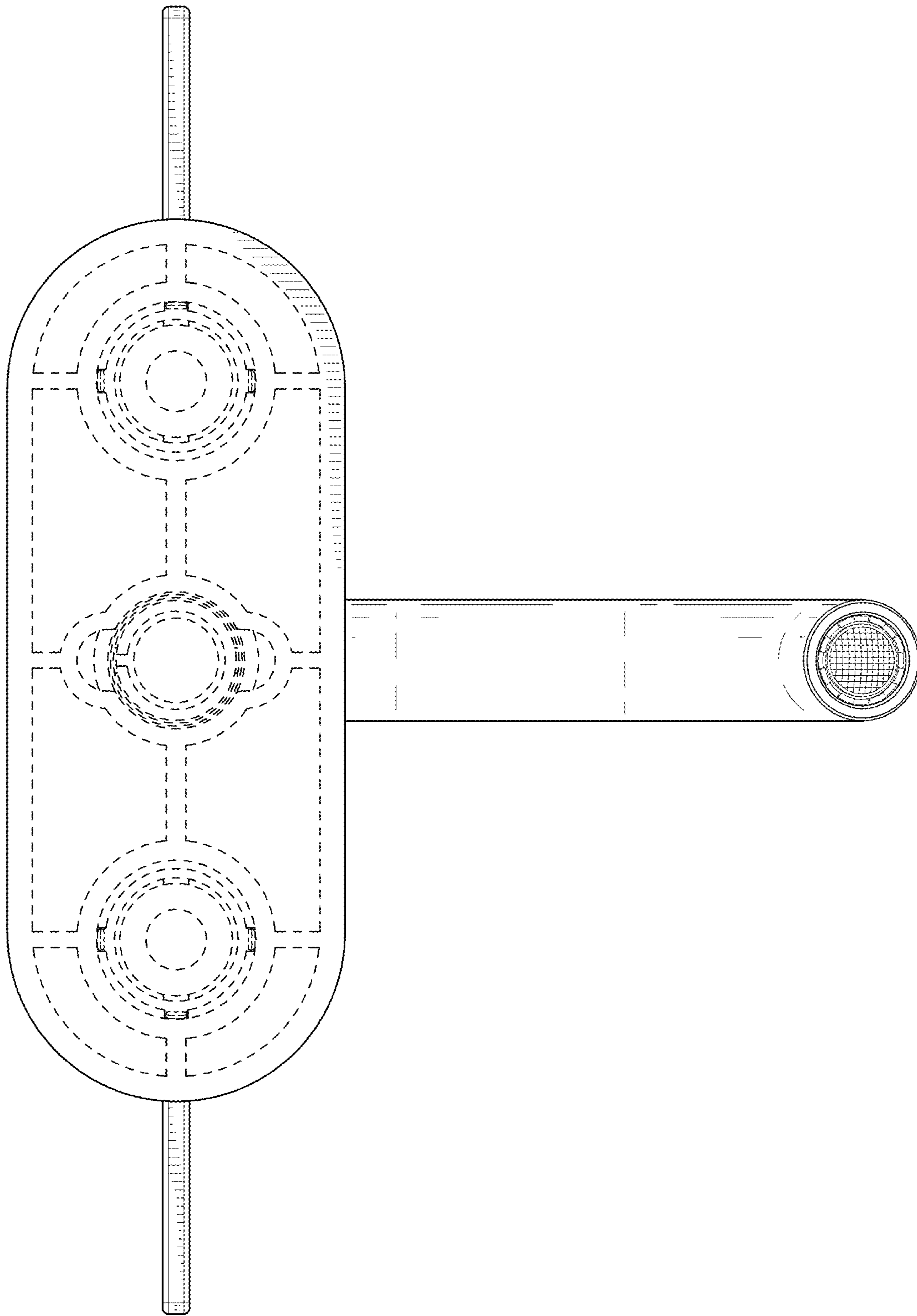


FIG. 6

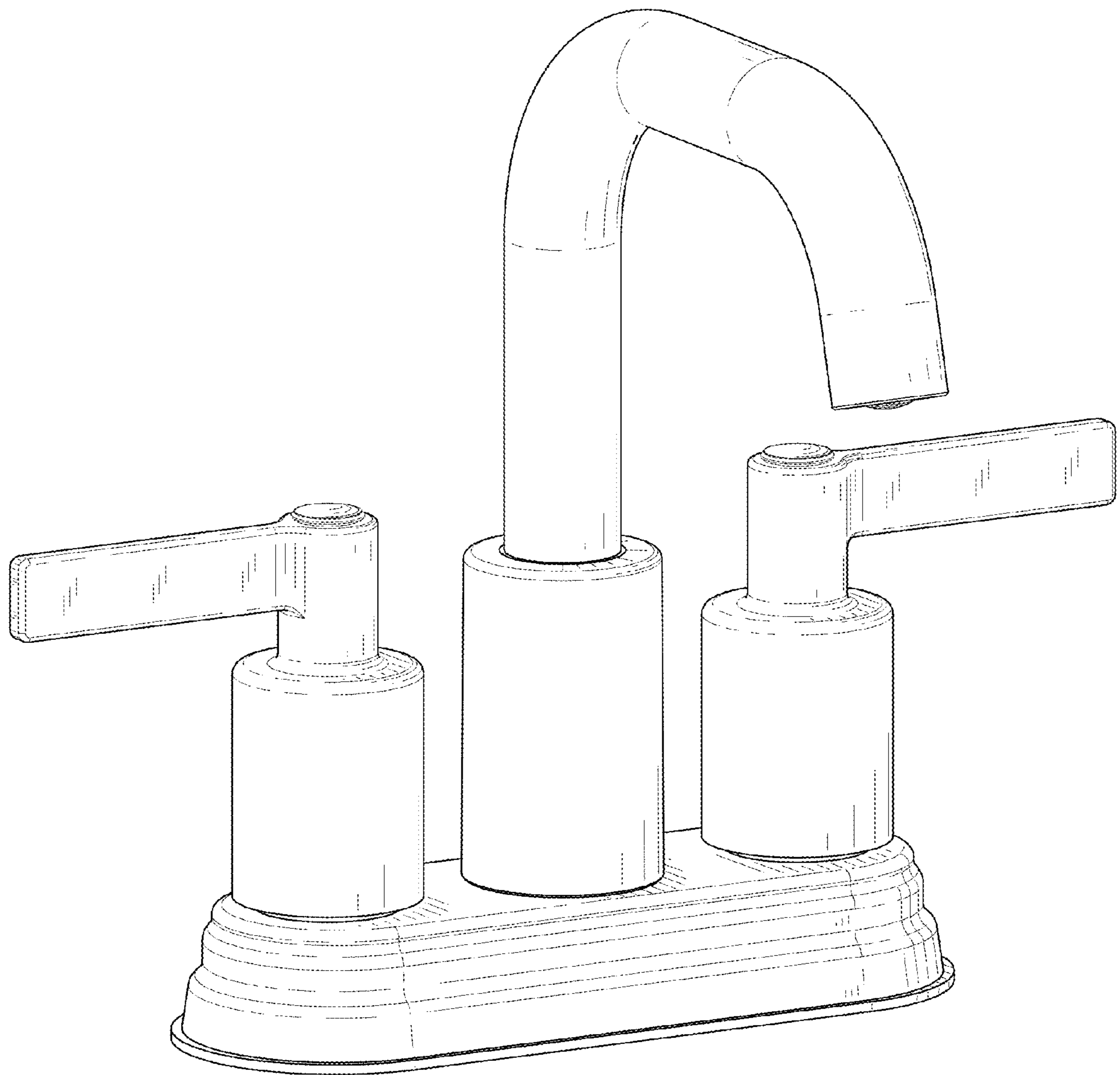


FIG. 7