



US00D906479S

(12) **United States Design Patent** (10) **Patent No.:** **US D906,479 S**
Urry (45) **Date of Patent:** **** Dec. 29, 2020**

(54) **SPRINKLER**

D615,611 S * 5/2010 Cheng D23/221
D620,551 S * 7/2010 Mayher D23/221
D847,947 S * 5/2019 Liu D23/214

(71) Applicant: **Orbit Irrigation Products, LLC**, North Salt Lake, UT (US)

(72) Inventor: **Andrew Mark Urry**, Riverton, UT (US)

(73) Assignee: **Orbit Irrigation Products, LLC**, North Salt Lake, UT (US)

(**) Term: **15 Years**

(21) Appl. No.: **29/705,402**

(22) Filed: **Sep. 11, 2019**

(51) **LOC (12) Cl.** **23-01**

(52) **U.S. Cl.**
USPC **D23/214**

(58) **Field of Classification Search**
USPC D23/207, 213, 214, 215, 223, 224, 226, D23/229, 230
CPC A61H 9/0021; A61H 33/00; B05B 1/00; B05B 1/14; B05B 1/185; B05B 1/08; B05B 1/02; B05B 1/26; B05B 12/002; B05B 1/18; B05B 9/01

See application file for complete search history.

(56) **References Cited**

U.S. PATENT DOCUMENTS

D358,449 S * 5/1995 Ford D23/214
D412,556 S * 8/1999 Hsin-Fa D23/214
D415,248 S * 10/1999 Roman D23/214
D465,260 S 11/2002 Chen
D498,513 S 11/2004 Hudman
D501,535 S * 2/2005 Wang D23/214
D503,773 S * 4/2005 Alkalay D23/214
D508,550 S * 8/2005 Sener D23/214
D510,405 S * 10/2005 Sener D23/221
D604,804 S * 11/2009 VanEerden D23/214
D615,154 S * 5/2010 Cheng D23/221

OTHER PUBLICATIONS

Orbit Heavy Sprinkler, Amazon, retrieved on [Aug. 25, 2020] <https://www.amazon.com/Orbit-Heavy-Sprinkler-Watering-Tri-Lingual/dp/B004RUH6J2> (Year: 2015).*

Orbit Irrigation Products, LLC, Product No. 58219, shown in attachment 1 was sold or offered for sale at least by Aug. 11, 2010. Orbit Irrigation Products, LLC, Product No. 27444, shown in attachment 2 was sold or offered for sale by Walmart at least by Mar. 1, 2017.

* cited by examiner

Primary Examiner — Cathron C Brooks

Assistant Examiner — Keith J Wilson

(74) *Attorney, Agent, or Firm* — Austin Rapp

(57) **CLAIM**

The ornamental design for a sprinkler, as shown and described.

DESCRIPTION

FIG. 1 is a first top perspective view of a sprinkler, according to my new design;

FIG. 2 is a second top perspective view of the sprinkler;

FIG. 3 is a first bottom perspective view of the sprinkler;

FIG. 4 is a second bottom perspective view of the sprinkler;

FIG. 5 is a front side elevational view of the sprinkler;

FIG. 6 is a rear side elevational view of the sprinkler;

FIG. 7 is a top side view of the sprinkler;

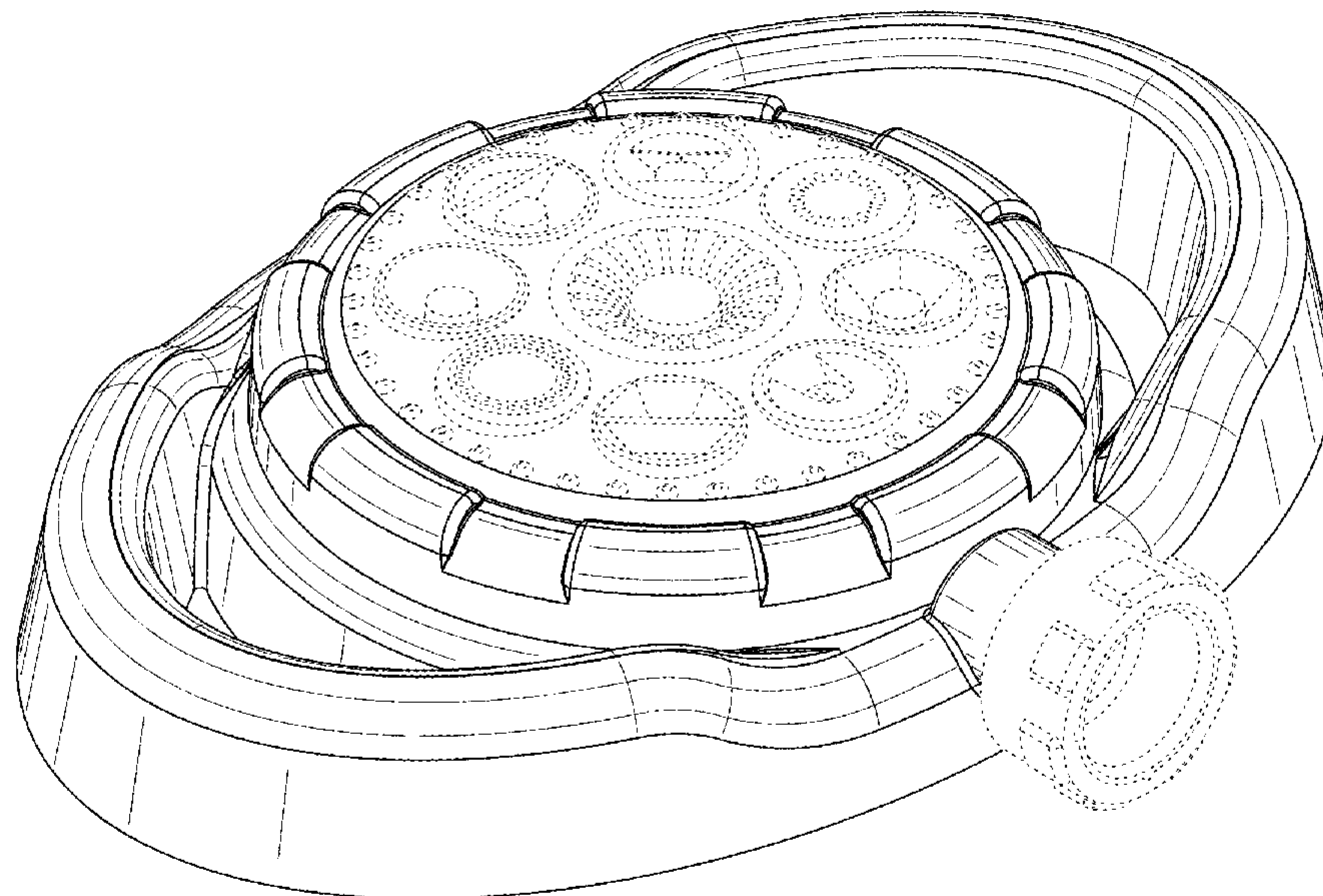
FIG. 8 is a bottom side view of the sprinkler;

FIG. 9 is a right side elevational view of the sprinkler; and,

FIG. 10 is a left side elevational view of the sprinkler.

The broken lines in the figures are included for the purpose of illustrating unclaimed portions of the sprinkler and form no part of the claimed design.

1 Claim, 10 Drawing Sheets



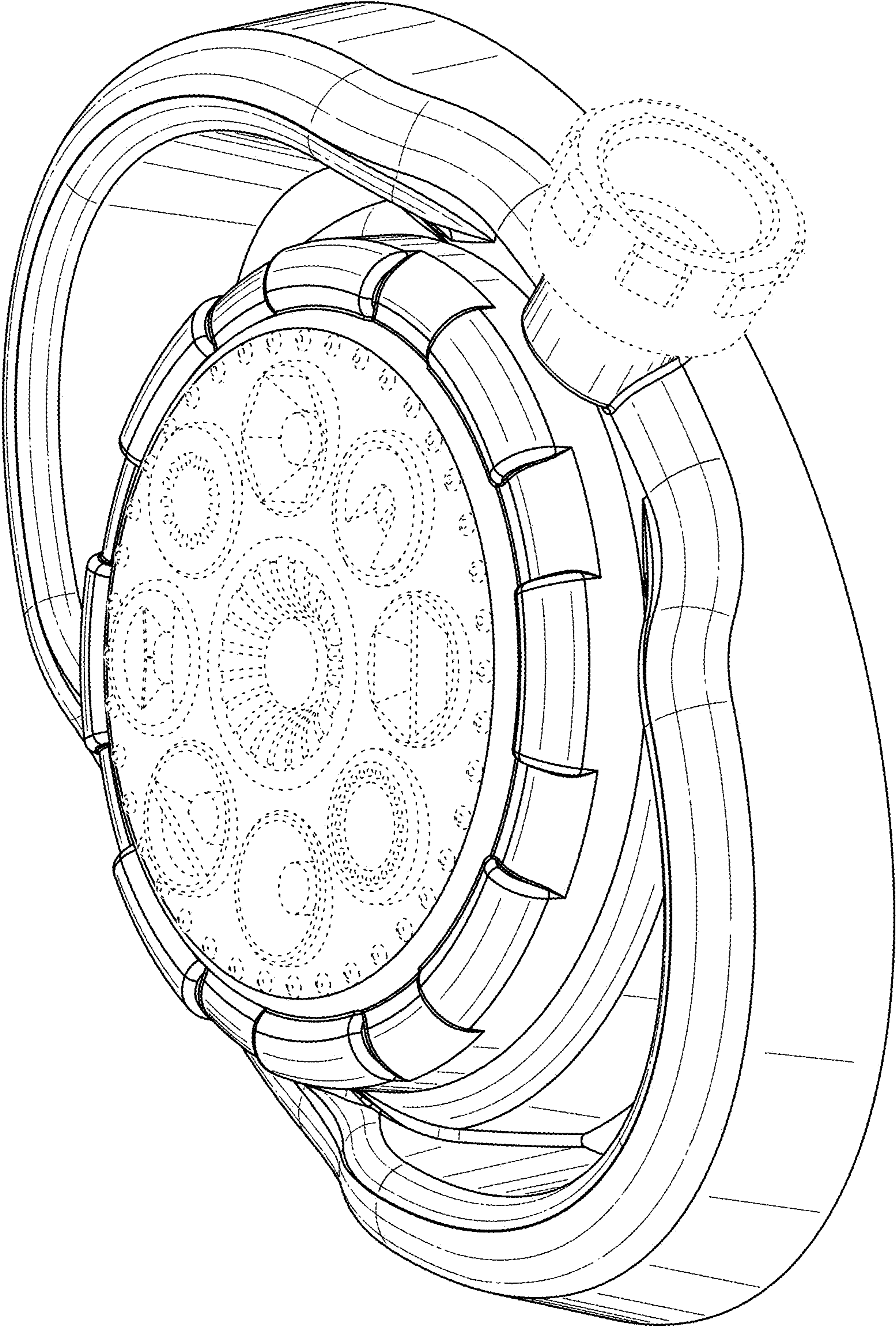


FIG. 1

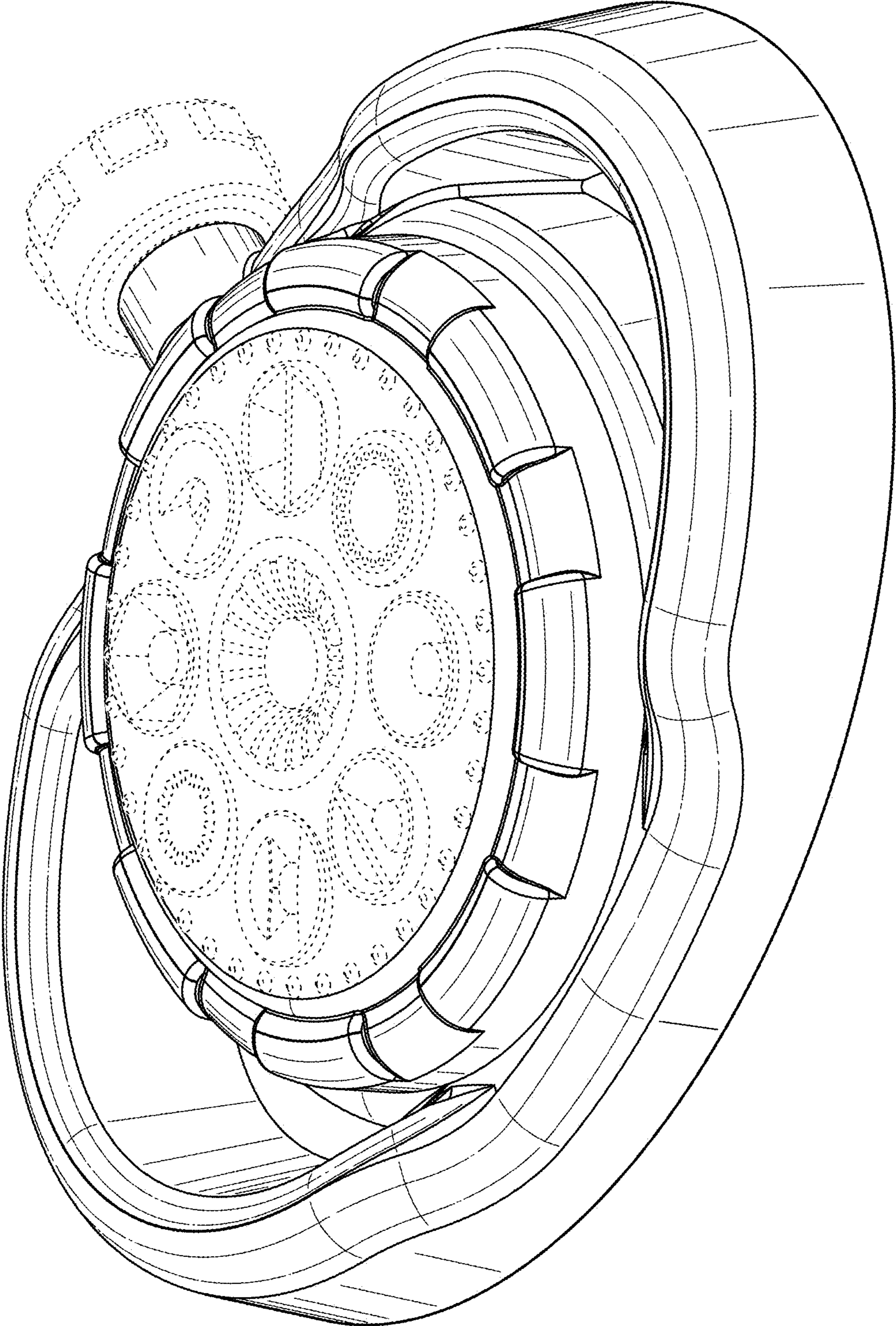


FIG. 2

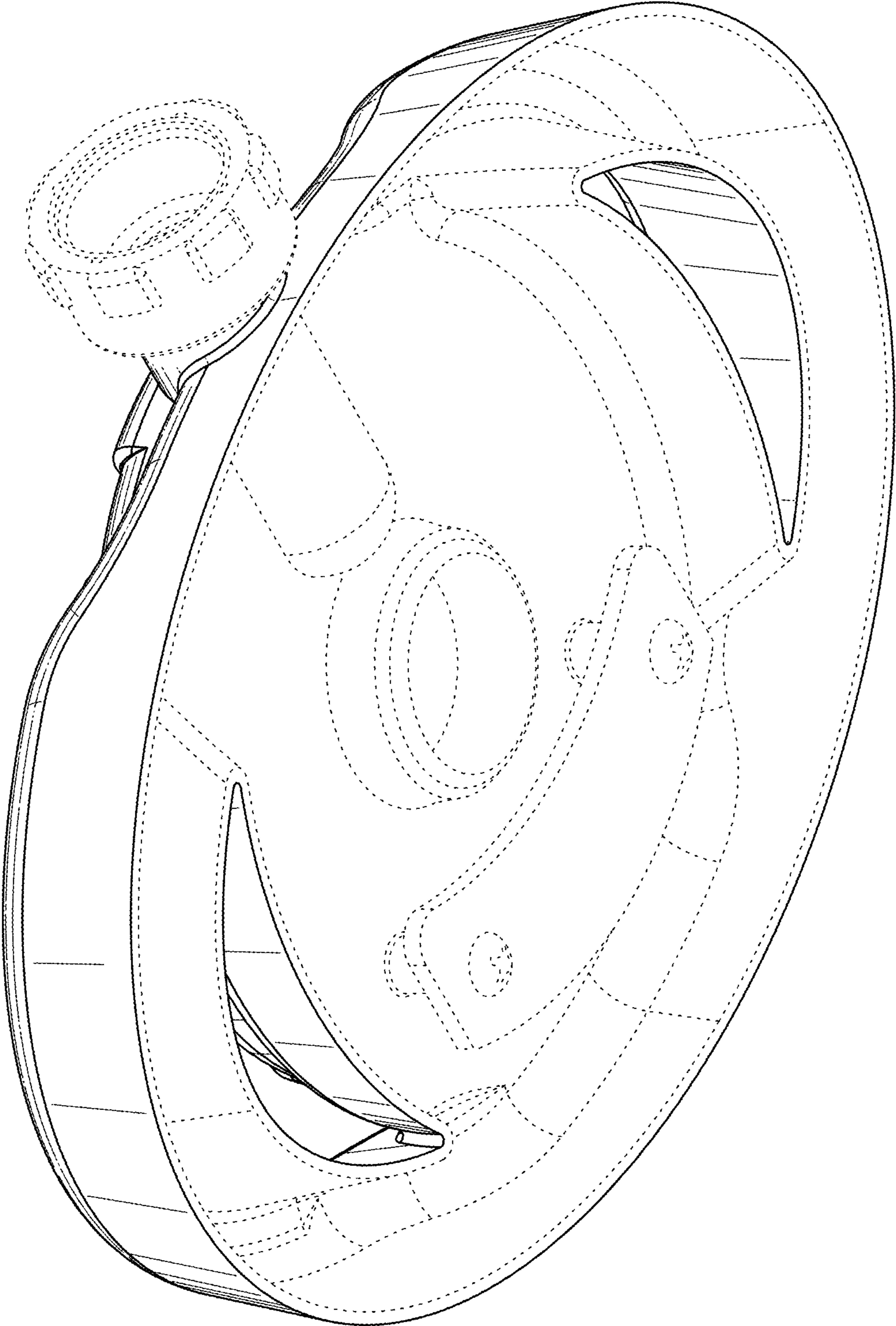


FIG. 3

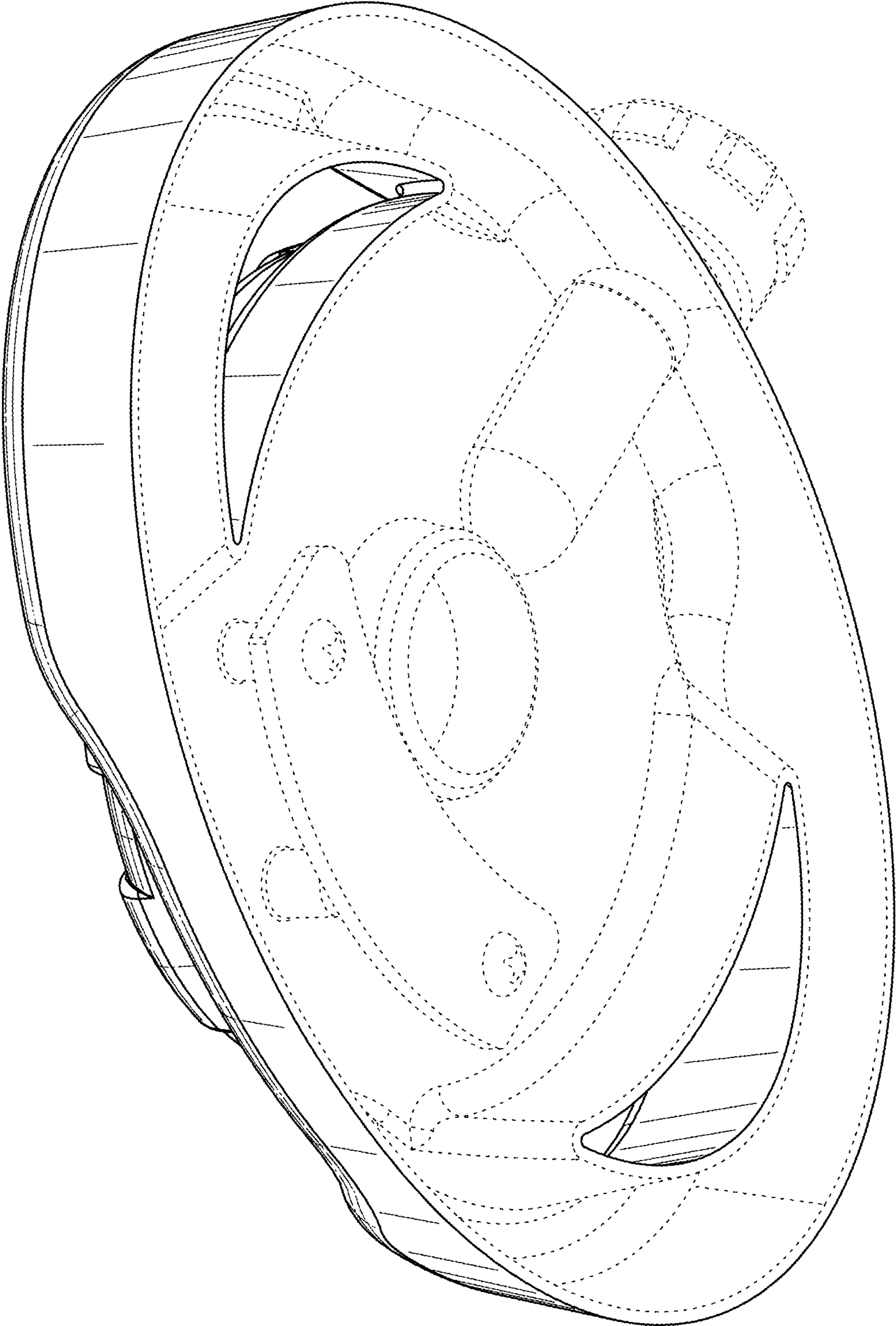


FIG. 4

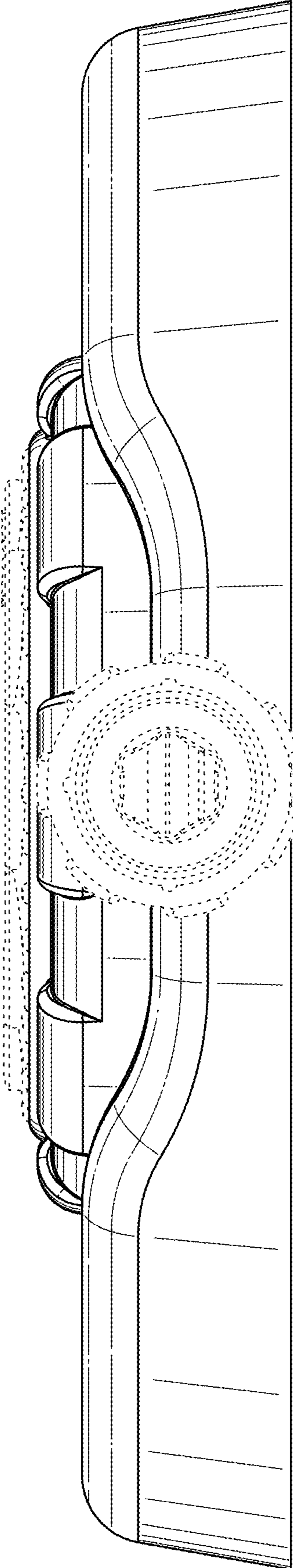


FIG. 5

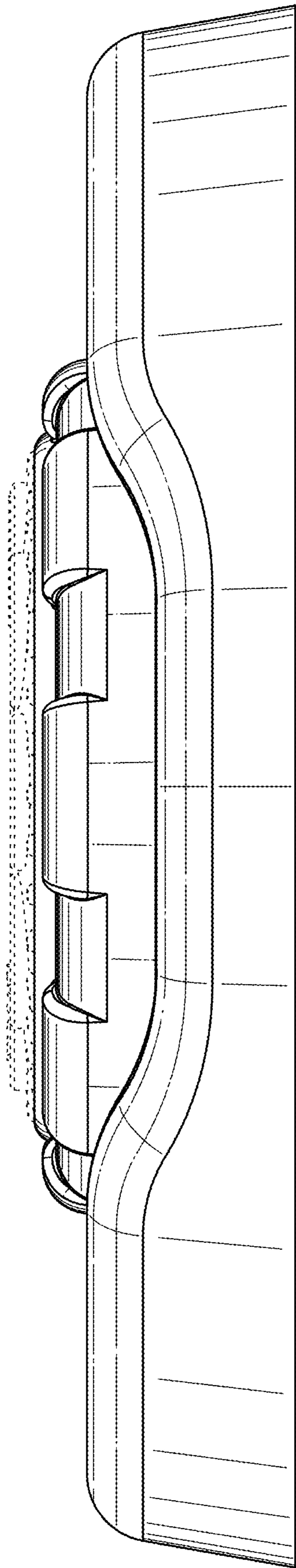
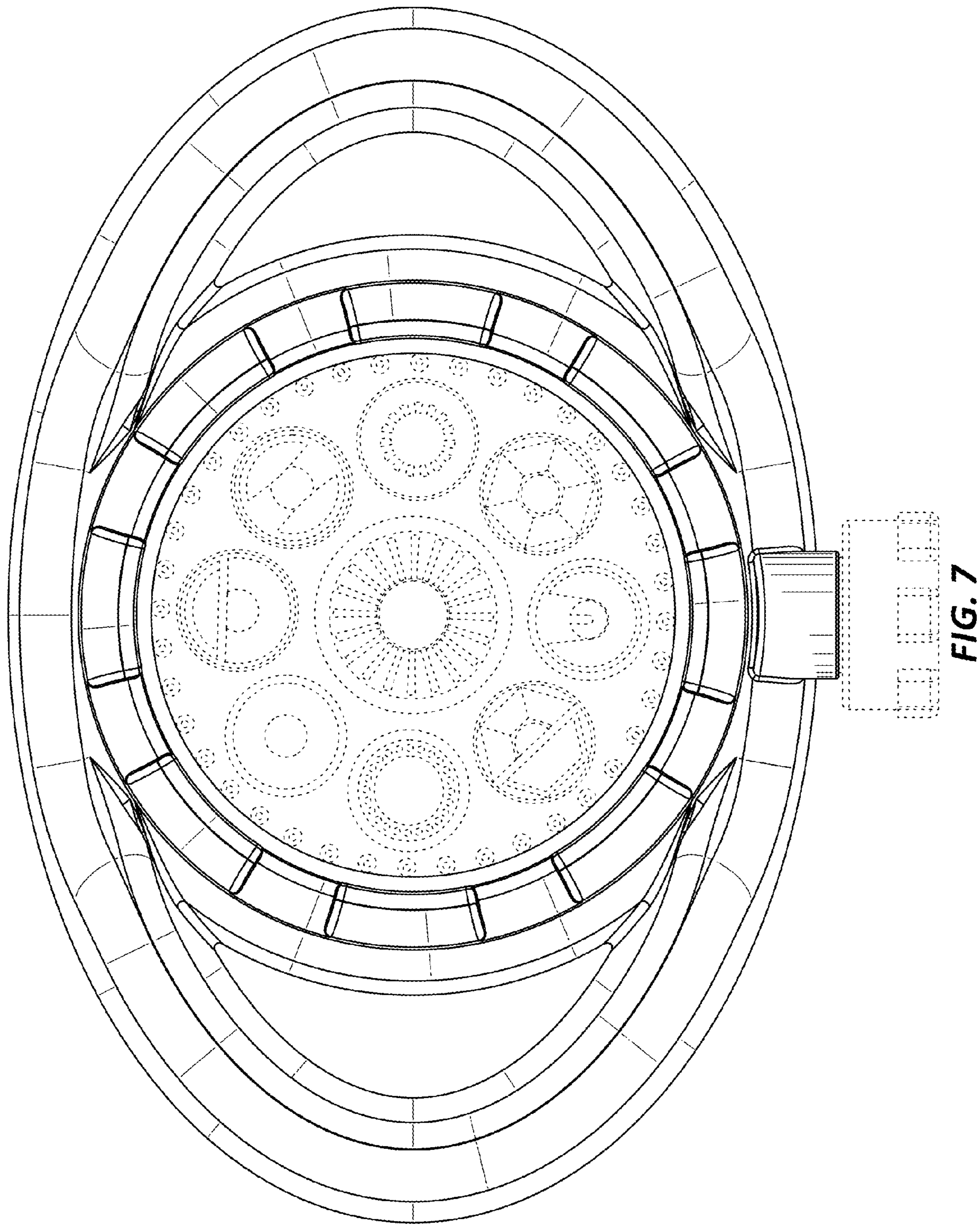


FIG. 6



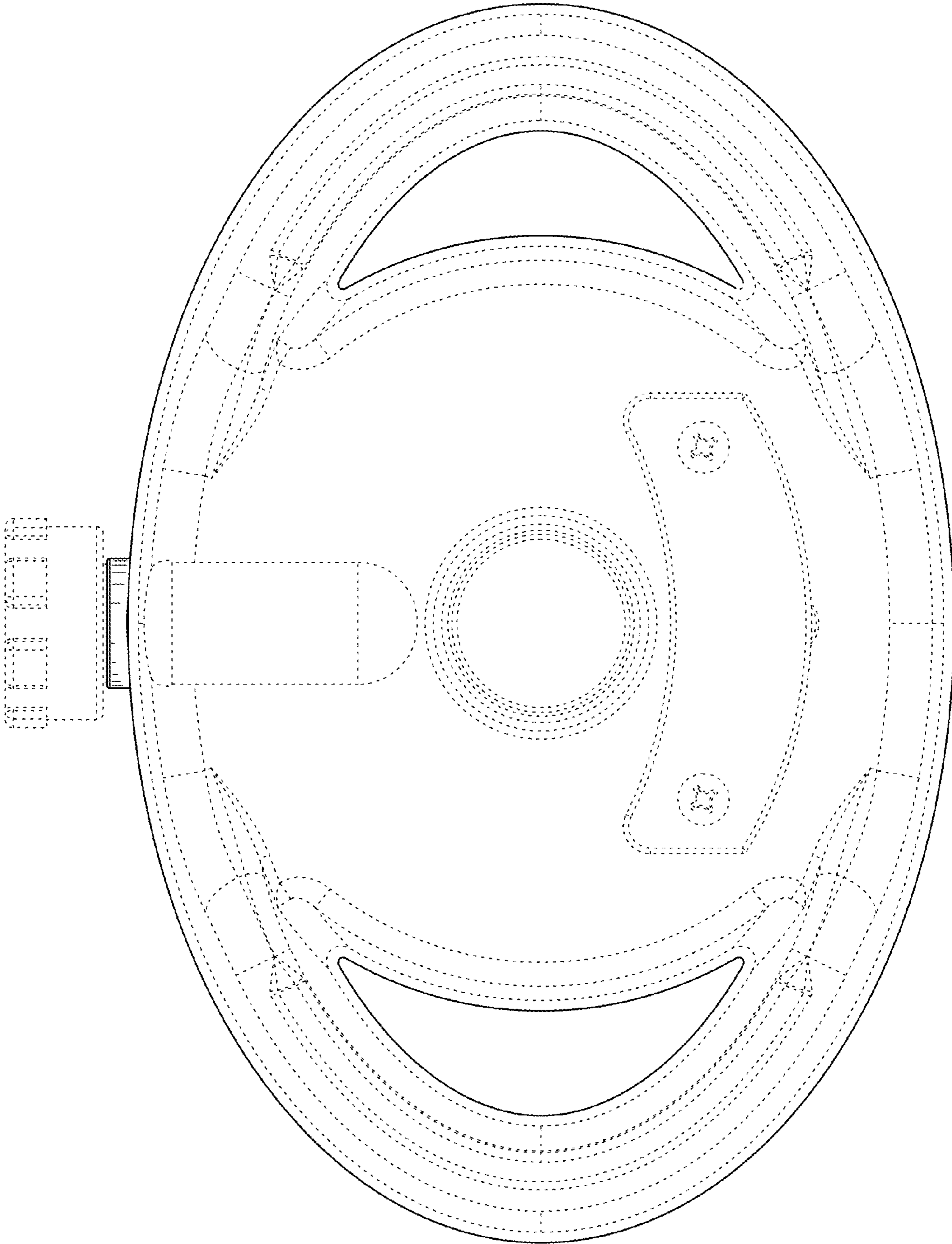


FIG. 8

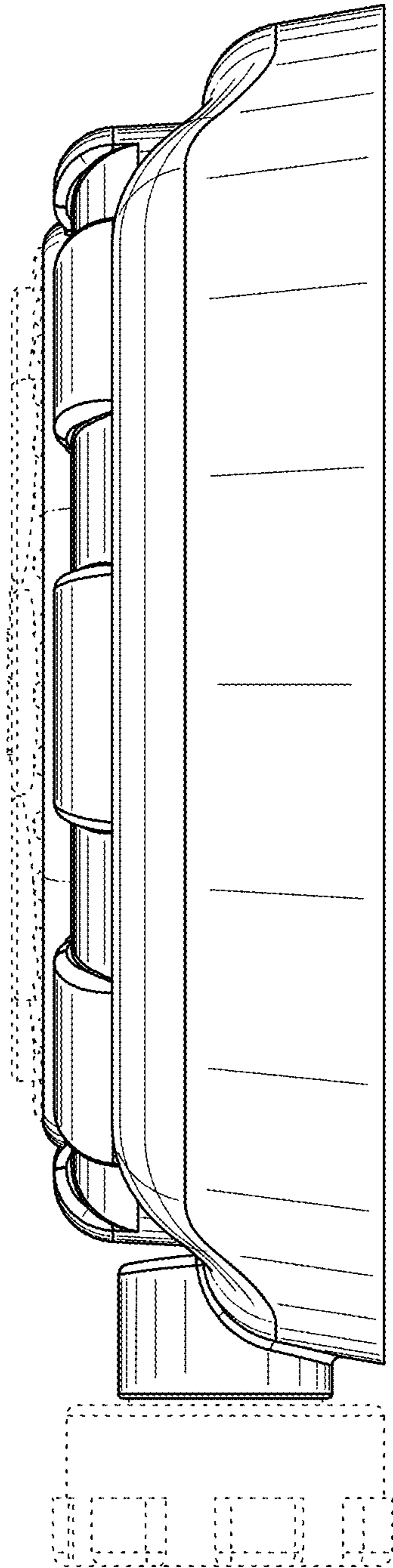


FIG. 9

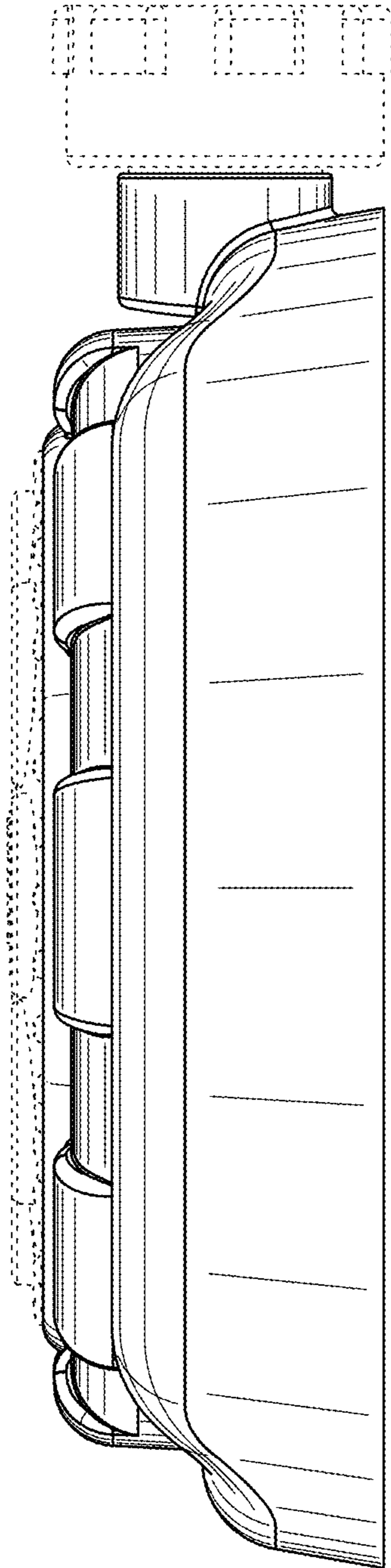


FIG. 10