



US00D906478S

(12) **United States Design Patent** (10) **Patent No.:** **US D906,478 S**
Stein (45) **Date of Patent:** **** Dec. 29, 2020**

(54) **FAUCET STREAM STRAIGHTENER**
(71) Applicant: **Neoperl GmbH, Müllheim (DE)**
(72) Inventor: **Alexander Stein, Ihringen (DE)**
(73) Assignee: **Neoperl GmbH, Müllheim (DE)**
(**) Term: **15 Years**

(21) Appl. No.: **35/507,363**
(22) Filed: **Mar. 8, 2019**

(80) **Hague Agreement Data**
Int. Filing Date: **Mar. 8, 2019**
Int. Reg. No.: **DM/202539**
Int. Reg. Date: **Mar. 8, 2019**
Int. Reg. Pub. Date: **Sep. 6, 2019**

(51) **LOC (12) Cl.** **23-01**

(52) **U.S. Cl.**
USPC **D23/213**
CPC **E03C 1/08 (2013.01)**

(58) **Field of Classification Search**
USPC D23/213, 229, 233, 235, 247-249, 260,
D23/264
CPC B05B 7/0425; E03C 1/08; E03C 1/084;
E03C 1/086; E03C 2001/026
See application file for complete search history.

(56) **References Cited**

U.S. PATENT DOCUMENTS

D753,792 S *	4/2016	Blum	D23/213
D776,240 S *	1/2017	Huang	D23/213
D776,242 S *	1/2017	Blum	D23/213
D788,264 S *	5/2017	Stein	D23/213
D822,159 S *	7/2018	Tempel	D23/213
D840,503 S *	2/2019	Stein	D23/213
D844,747 S *	4/2019	Blum	D23/213
D844,748 S *	4/2019	Schurle	D23/213
D849,888 S *	5/2019	Schurle	D23/213

D856,475 S *	8/2019	Gessi	D23/213
D857,842 S *	8/2019	Yu	D23/213
D858,700 S *	9/2019	Stoler	D23/223
D861,129 S *	9/2019	Logar	D23/213
D863,502 S *	10/2019	Hsieh	D23/213
D864,350 S *	10/2019	Logar	D23/213
D865,908 S *	11/2019	Hsieh	D23/213
D865,909 S *	11/2019	Hsieh	D23/213
D866,709 S *	11/2019	Schurle	D23/213
D868,936 S *	12/2019	Schurle	D23/213
D876,581 S *	2/2020	Hsieh	D23/213
D876,583 S *	2/2020	Hayner	D23/213
D879,245 S *	3/2020	Eads	D23/223
D879,246 S *	3/2020	Eads	D23/223
D879,247 S *	3/2020	Stoler	D23/223
D885,521 S *	5/2020	Hayner	D23/223
D889,602 S *	7/2020	Wu	D23/223
D889,603 S *	7/2020	Wu	D23/223
D891,579 S *	7/2020	Cai	D23/213
D891,581 S *	7/2020	Cheng	D23/223
D892,976 S *	8/2020	Zhang	D23/223
D892,977 S *	8/2020	Zhang	D23/223
D893,675 S *	8/2020	Hayner	D23/223

* cited by examiner

Primary Examiner — Richard E Chilcot
(74) *Attorney, Agent, or Firm* — Volpe Koenig

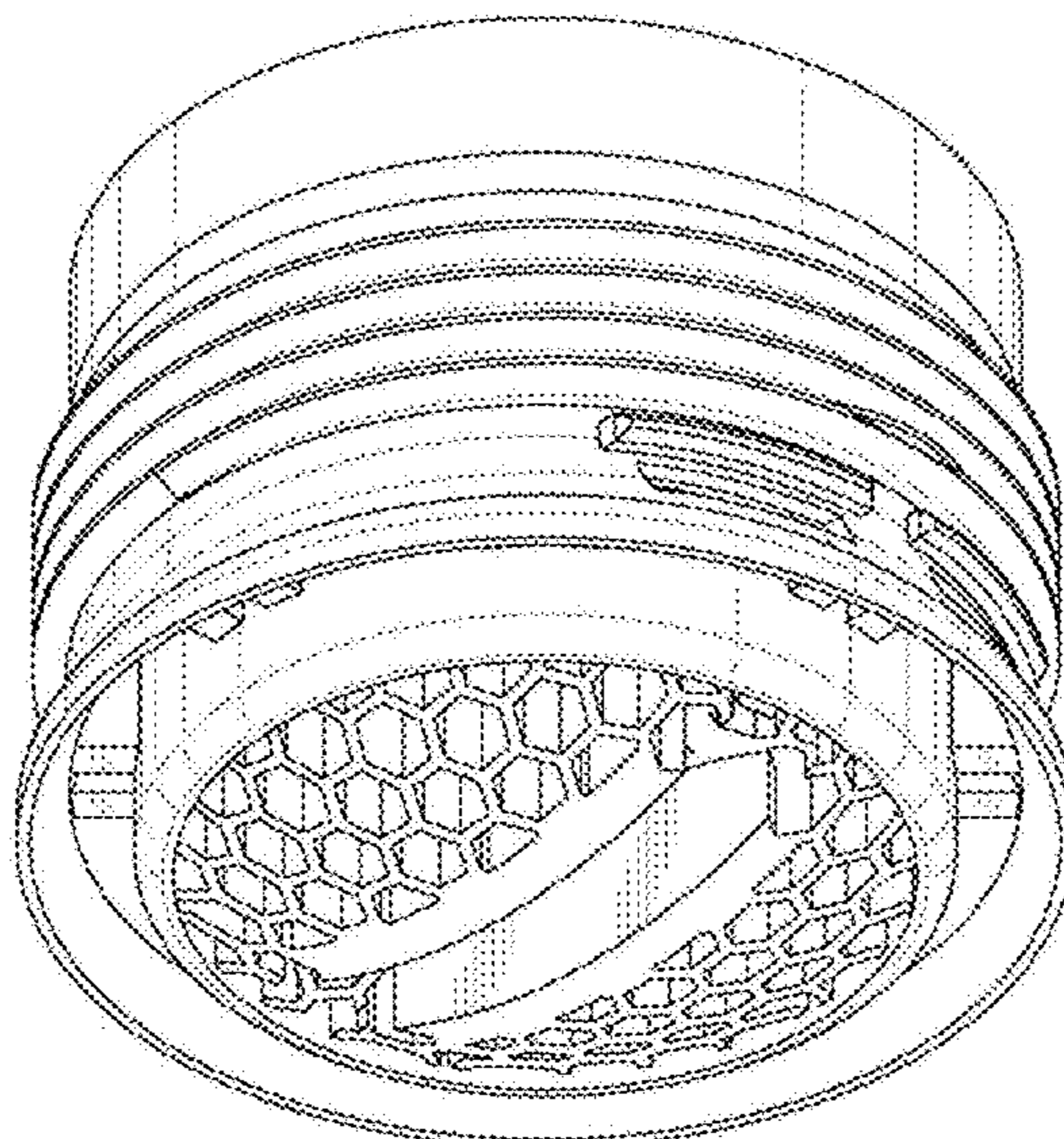
(57) **CLAIM**

The ornamental design for a faucet stream straightener, as shown and described.

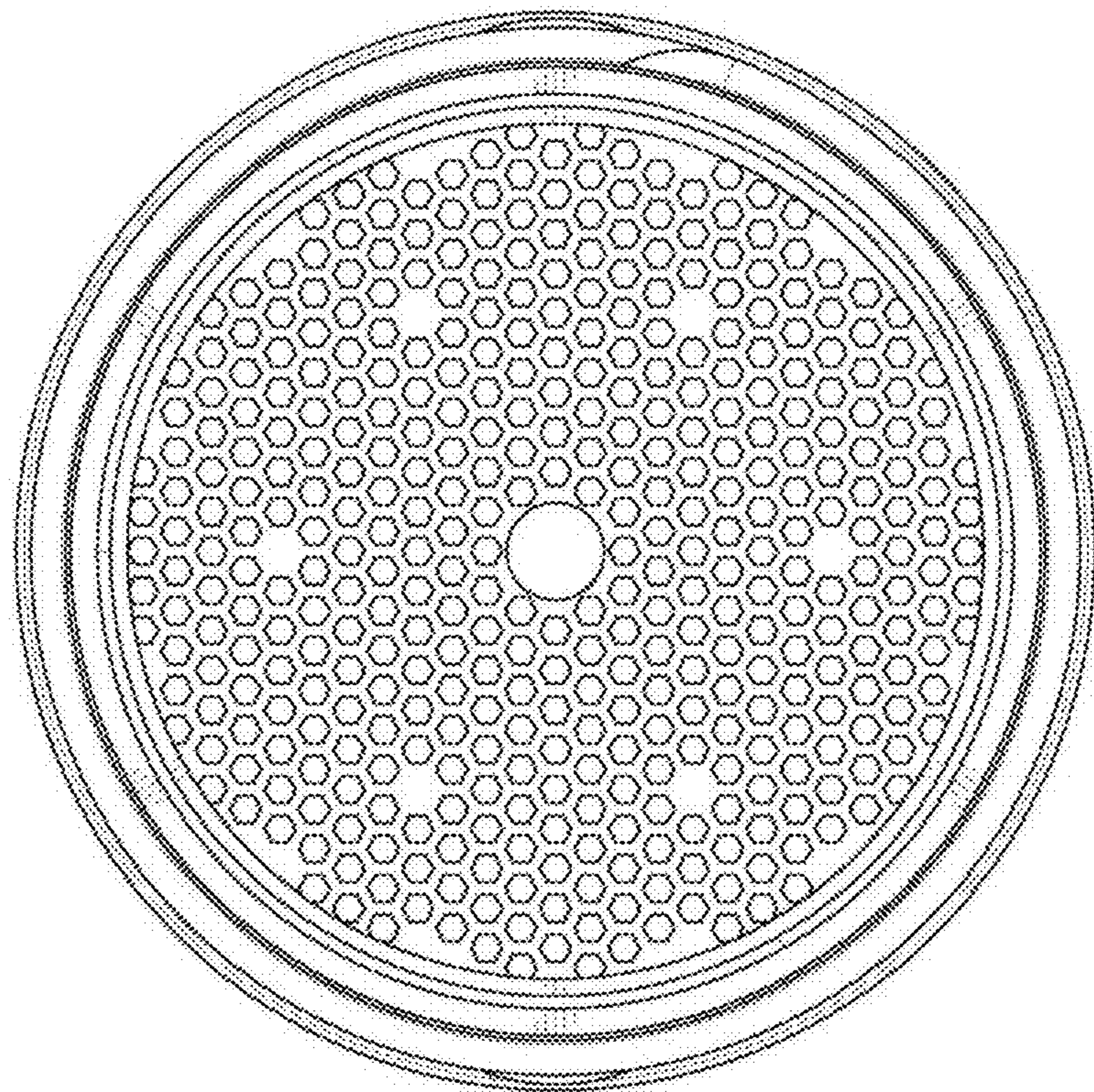
DESCRIPTION

1. Faucet stream straightener
- 1.1 : Top
- 1.2 : Perspective
- 1.3: Bottom
- 1.4 : Perspective
- 1.5 : Front
- 1.6 : Left
- 1.7: Back
- 1.8 : Right

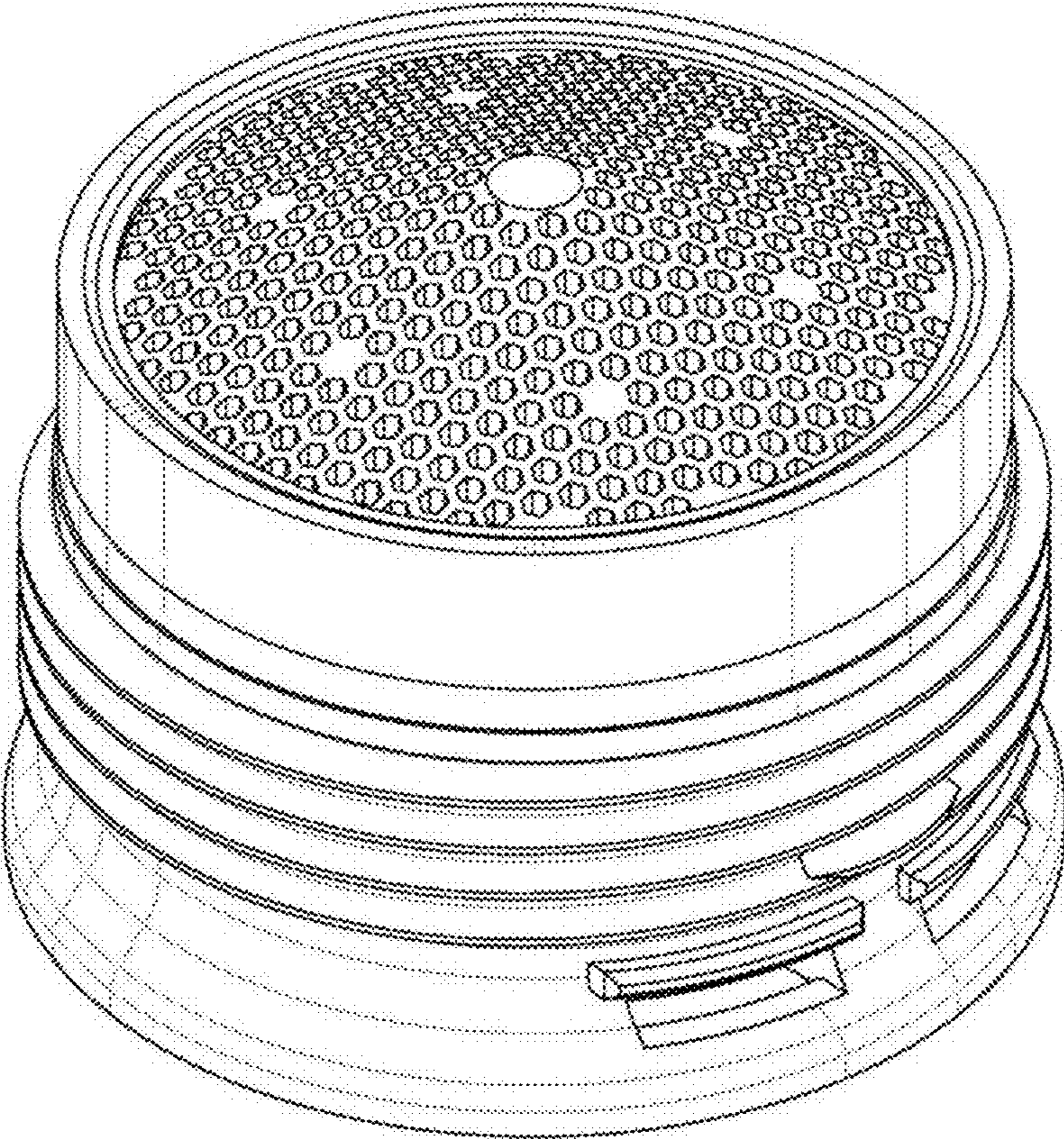
1 Claim, 8 Drawing Sheets



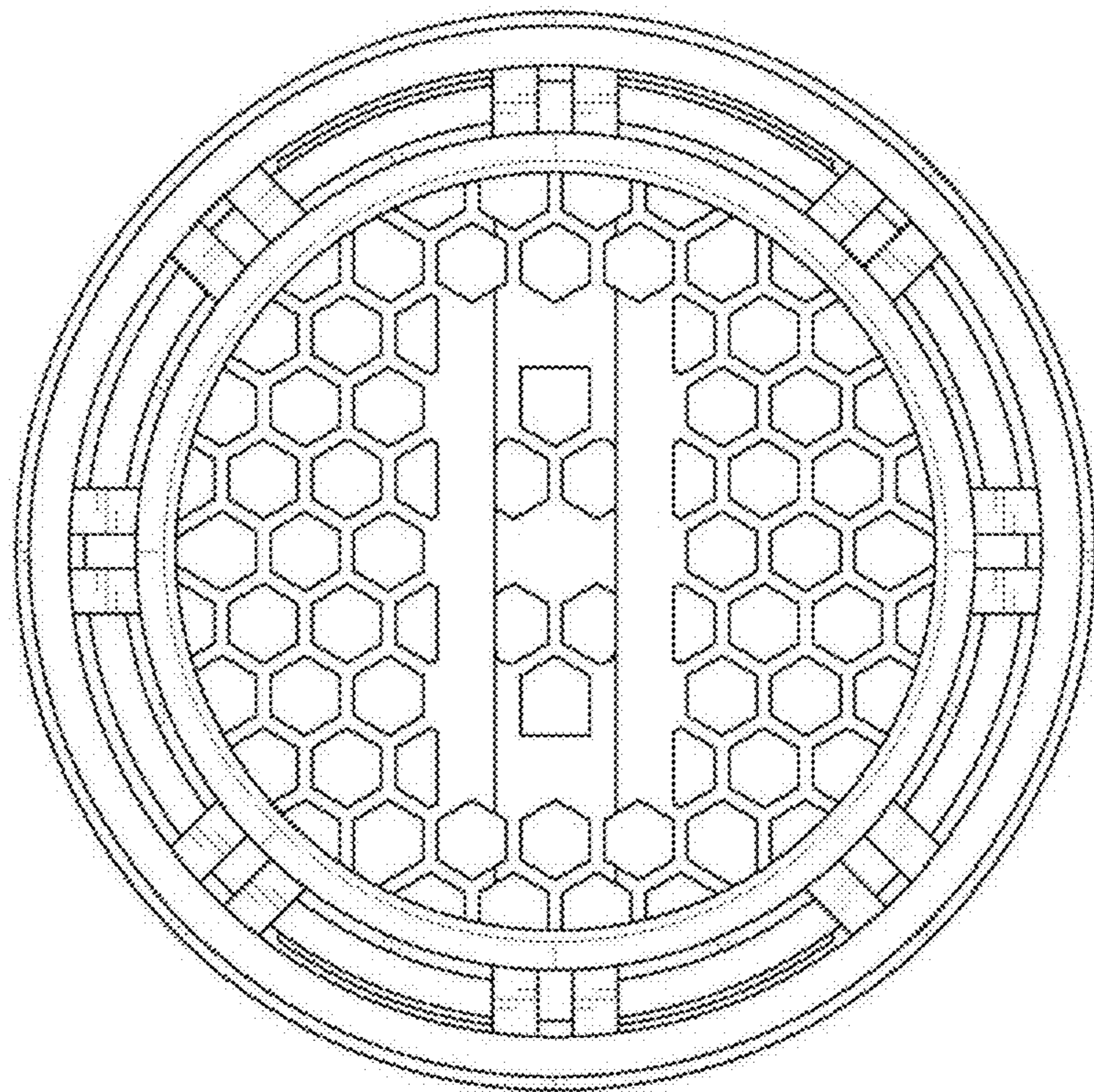
1.1



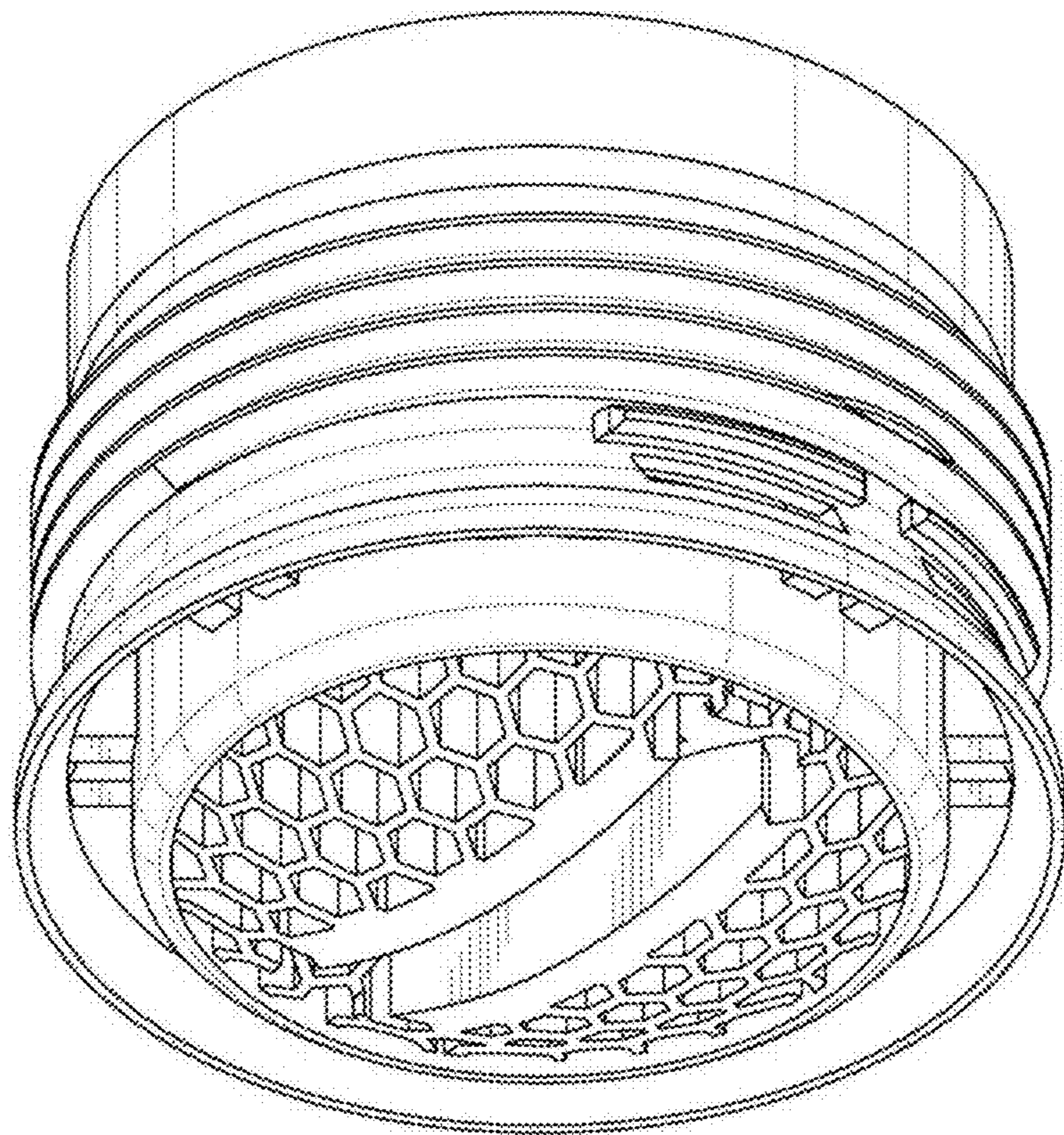
1.2



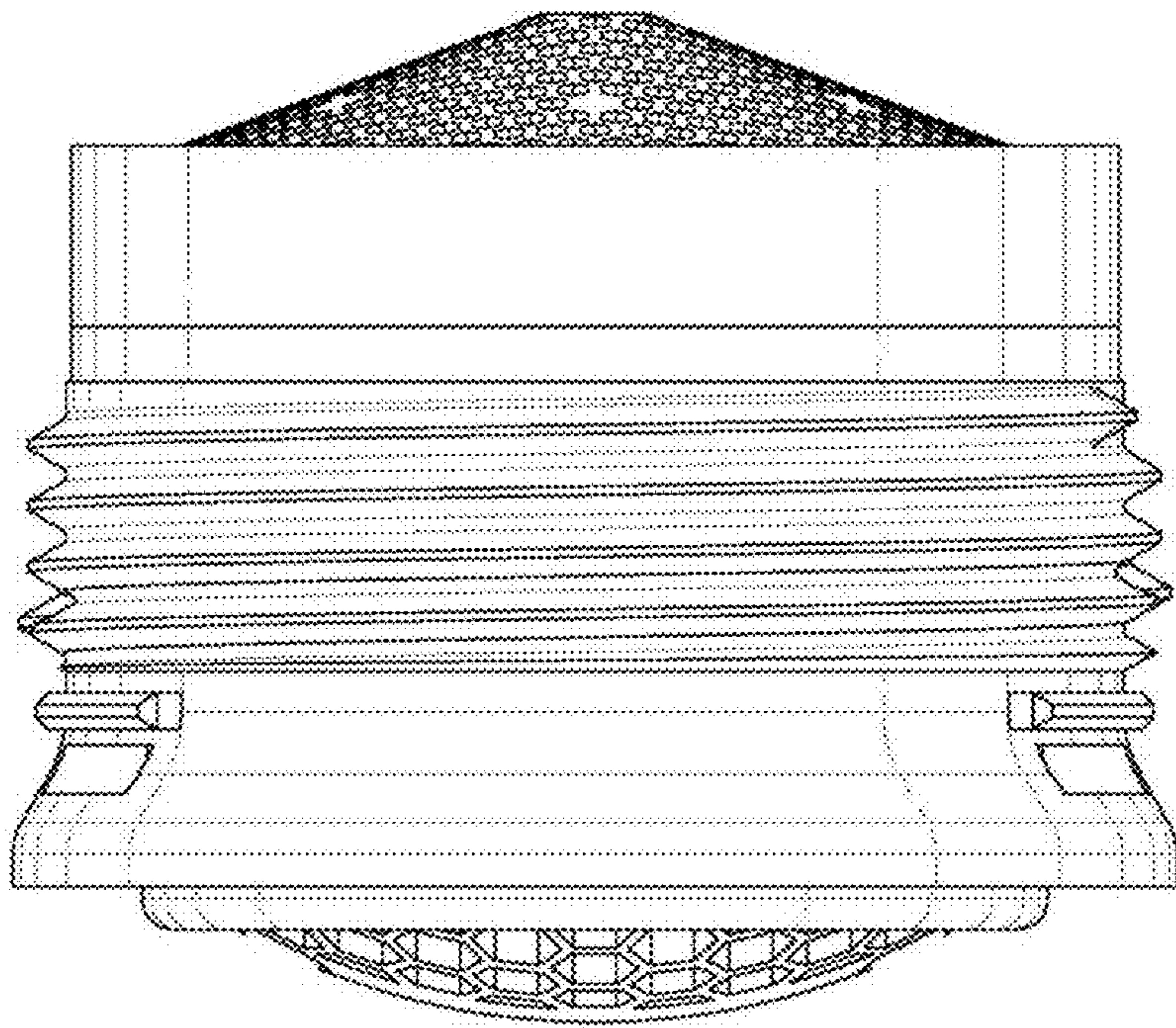
1.3



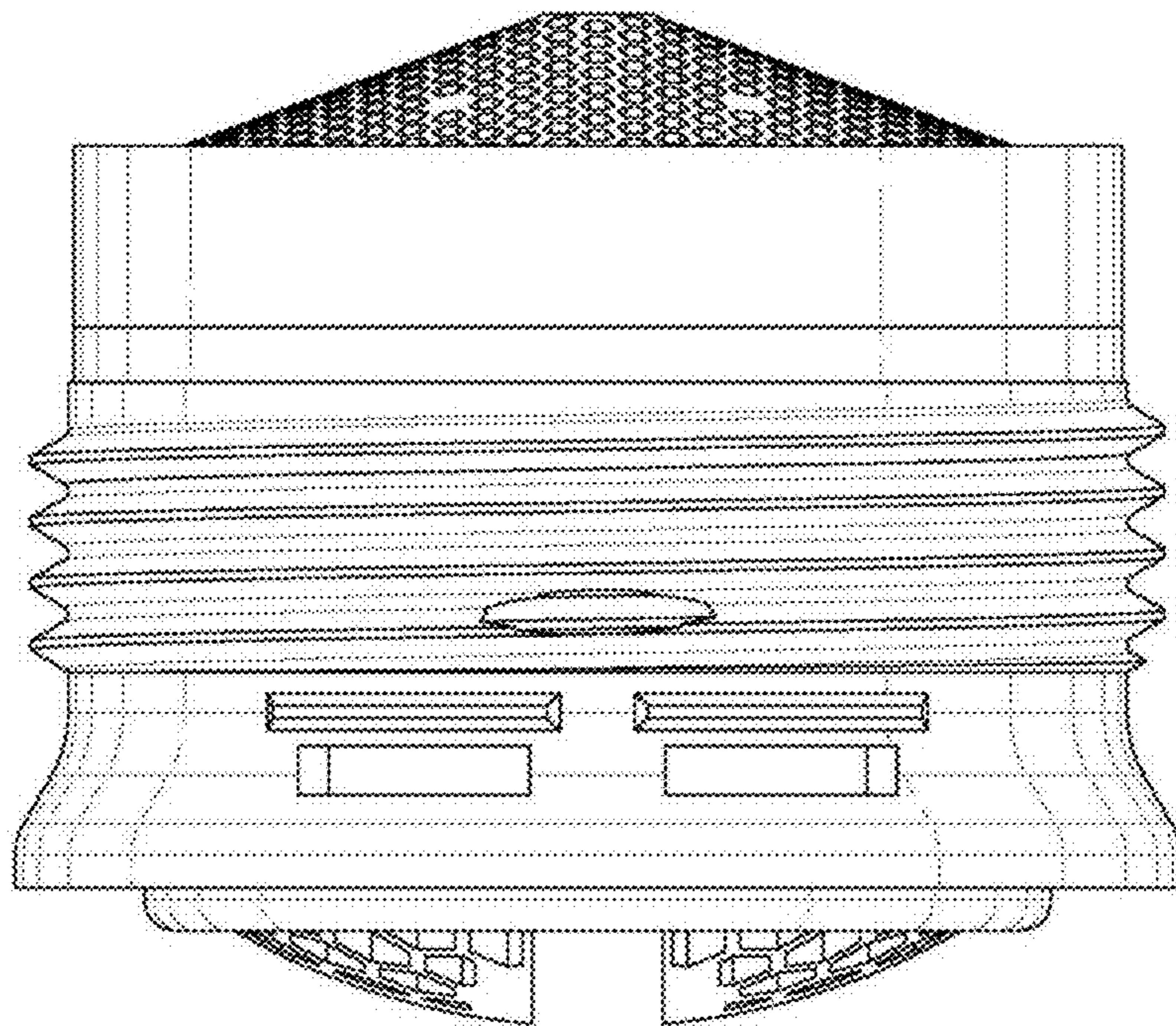
1.4



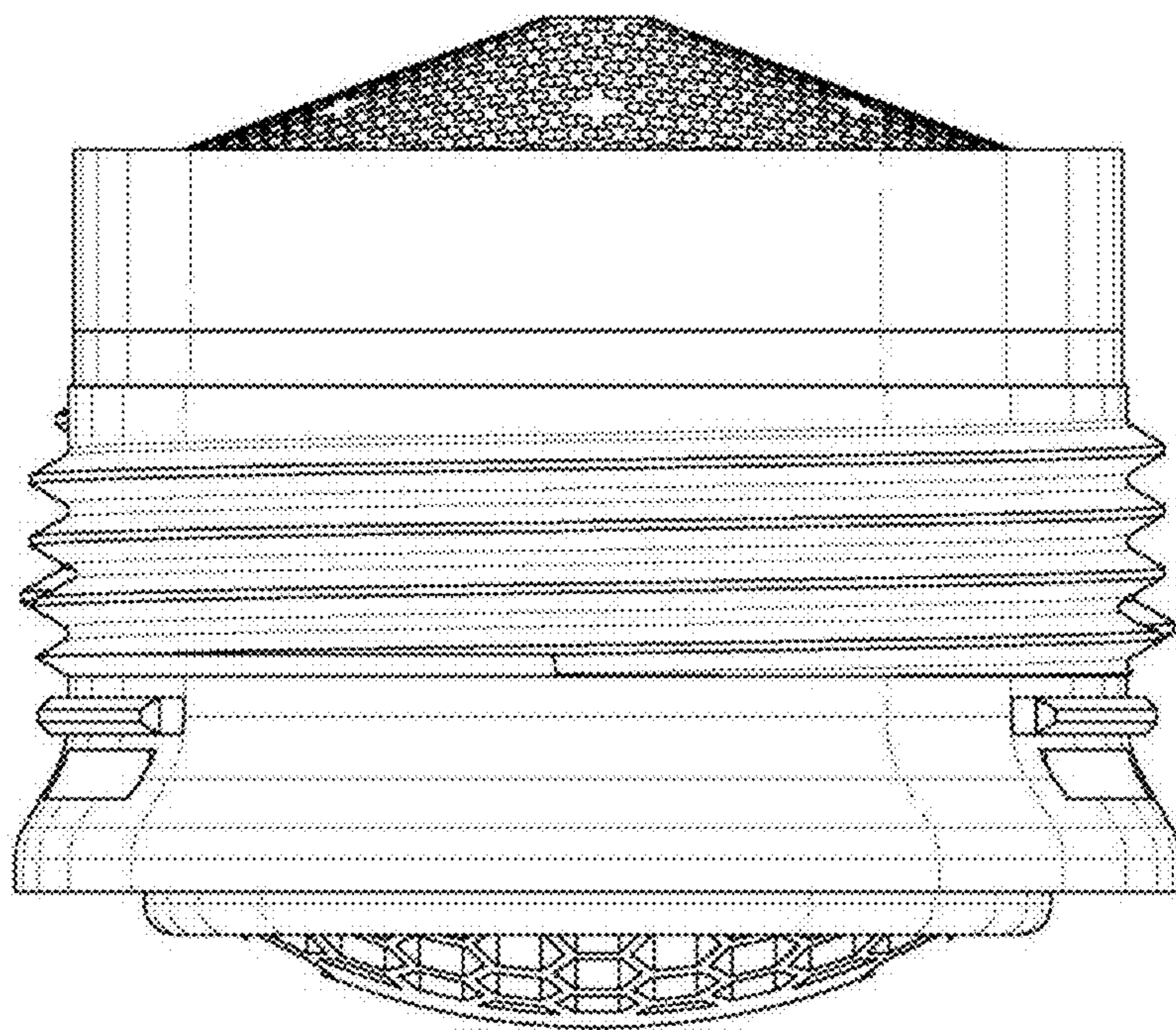
1.5



1.6



1.7



1.8

