



US00D906472S

(12) **United States Design Patent** (10) **Patent No.:** **US D906,472 S**
White et al. (45) **Date of Patent:** **** Dec. 29, 2020**

(54) **INSECT TRAP HAVING A REMOVABLE AND REPLACEABLE FLOOR**

(71) Applicant: **Bed Bug Central, LLC**, Lawrenceville, NJ (US)

(72) Inventors: **Jeffrey C. White**, New Egypt, NJ (US); **Philip Cooper**, Yardley, PA (US); **Sean M. Kelly**, Yorba Linda, CA (US)

(73) Assignee: **BED BUG CENTRAL, LLC**, Lawrenceville, NJ (US)

(**) Term: **15 Years**

(21) Appl. No.: **29/669,158**

(22) Filed: **Nov. 6, 2018**

Related U.S. Application Data

(63) Continuation of application No. 15/028,511, filed on Apr. 11, 2016, now abandoned.

(51) **LOC (12) Cl.** **22-06**

(52) **U.S. Cl.**
USPC **D22/122**

(58) **Field of Classification Search**
USPC D22/119-124; 43/107, 112-113, 121, 43/124, 131, 132.1
CPC A01M 1/00; A01M 1/02; A01M 1/026; A01M 1/10; A01M 1/14
See application file for complete search history.

(56) **References Cited**

U.S. PATENT DOCUMENTS

181,165 A 8/1876 Hagen
836,052 A * 11/1906 Pool 43/113
885,536 A * 4/1908 Shimer 43/121
944,568 A * 12/1909 Mercer A01M 1/10
43/121
970,528 A * 9/1910 Miller 43/121

986,015 A * 3/1911 Lambert 43/121
1,002,919 A * 9/1911 Knox 43/121
2,210,253 A * 8/1940 Neuens A01M 1/103
43/121
4,244,134 A 1/1981 Otterson
D258,751 S * 3/1981 Lindley D22/122
4,263,740 A 4/1981 Hemsarth et al.
4,696,127 A 9/1987 Dobbs
4,698,934 A * 10/1987 Gonzalez et al. A01M 1/20
43/121
5,090,153 A 2/1992 Mullen et al.
5,490,349 A 2/1996 Muramatsu
5,548,922 A 8/1996 Wefler
5,566,500 A 10/1996 Long
5,992,087 A 11/1999 Chu et al.
6,925,749 B2 8/2005 Wong
8,276,314 B2 10/2012 Duehl et al.
D829,855 S * 10/2018 Sanford D22/122
(Continued)

FOREIGN PATENT DOCUMENTS

FR 517494 A 5/1921

OTHER PUBLICATIONS

European Search Report dated Sep. 20, 2017 for EP Application No. 14852682.5.

Primary Examiner — Catherine R Oliver-Garcia
(74) *Attorney, Agent, or Firm* — Fox Rothschild LLP

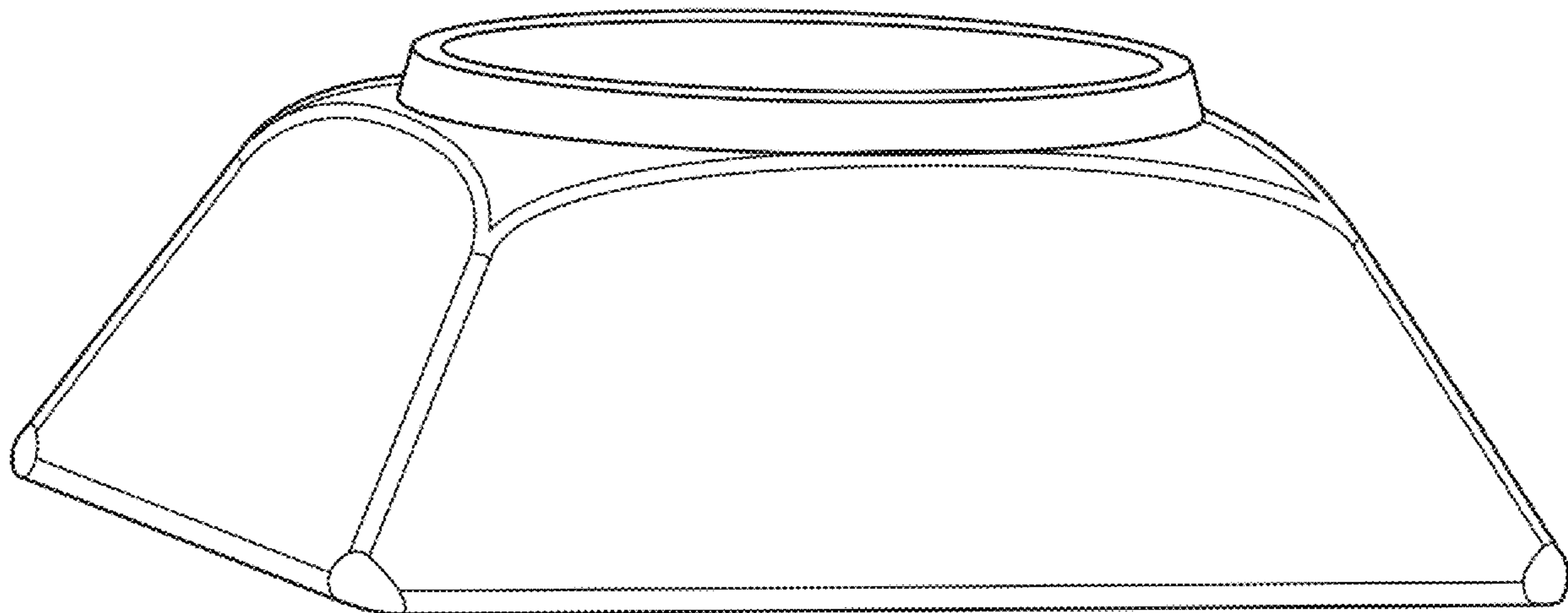
(57) **CLAIM**

The ornamental design for insect trap having a removable and replaceable floor, as shown and described.

DESCRIPTION

FIG. 1 is a top perspective view of an insect trap having a removable and replaceable floor showing our new design; and, FIG. 2 is a bottom perspective view thereof.

1 Claim, 2 Drawing Sheets



(56)

References Cited

U.S. PATENT DOCUMENTS

2005/0091911	A1	5/2005	Matts et al.	
2006/0236591	A1	10/2006	Cwiklinski et al.	
2009/0071060	A1	3/2009	McKay	
2009/0183419	A1	7/2009	Harris	
2011/0047860	A1	3/2011	Black et al.	
2011/0067293	A1	3/2011	Schneidmiller et al.	
2011/0252693	A1*	10/2011	Hui	A01M 1/103 43/111
2012/0246998	A1*	10/2012	Vasudeva	F21V 33/004 43/114

* cited by examiner

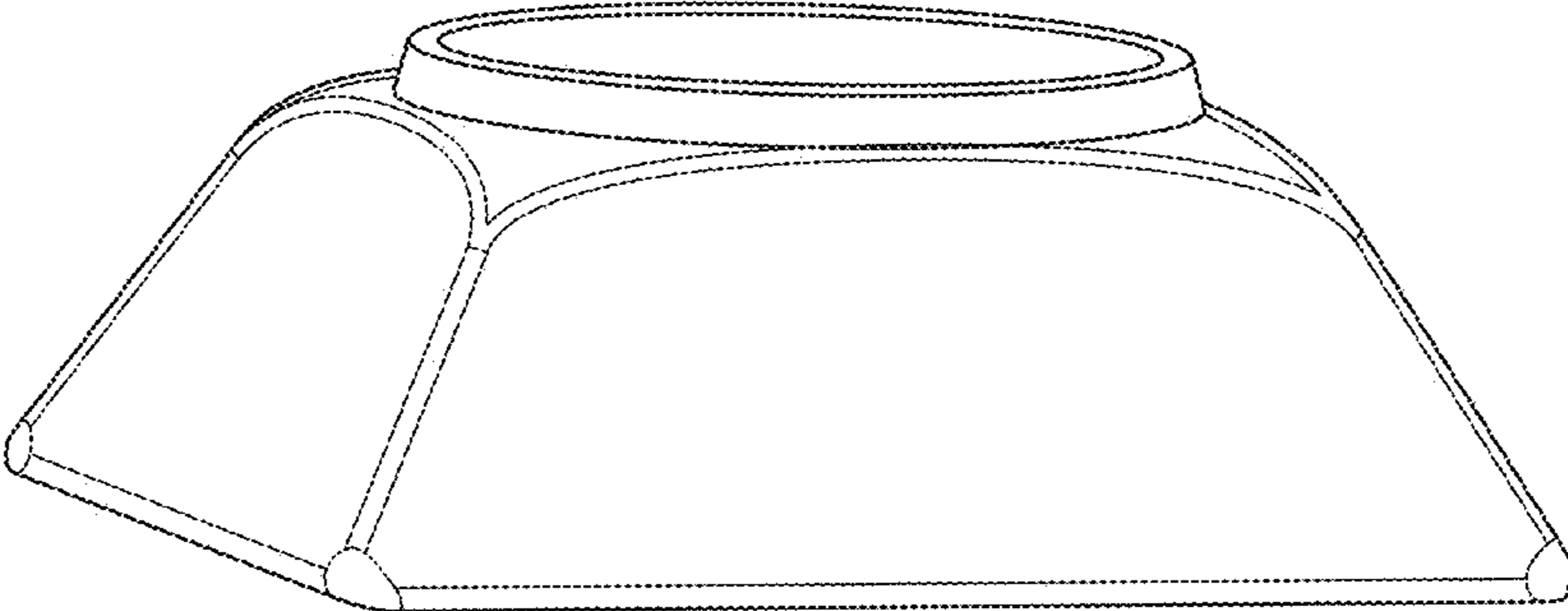


FIG. 1

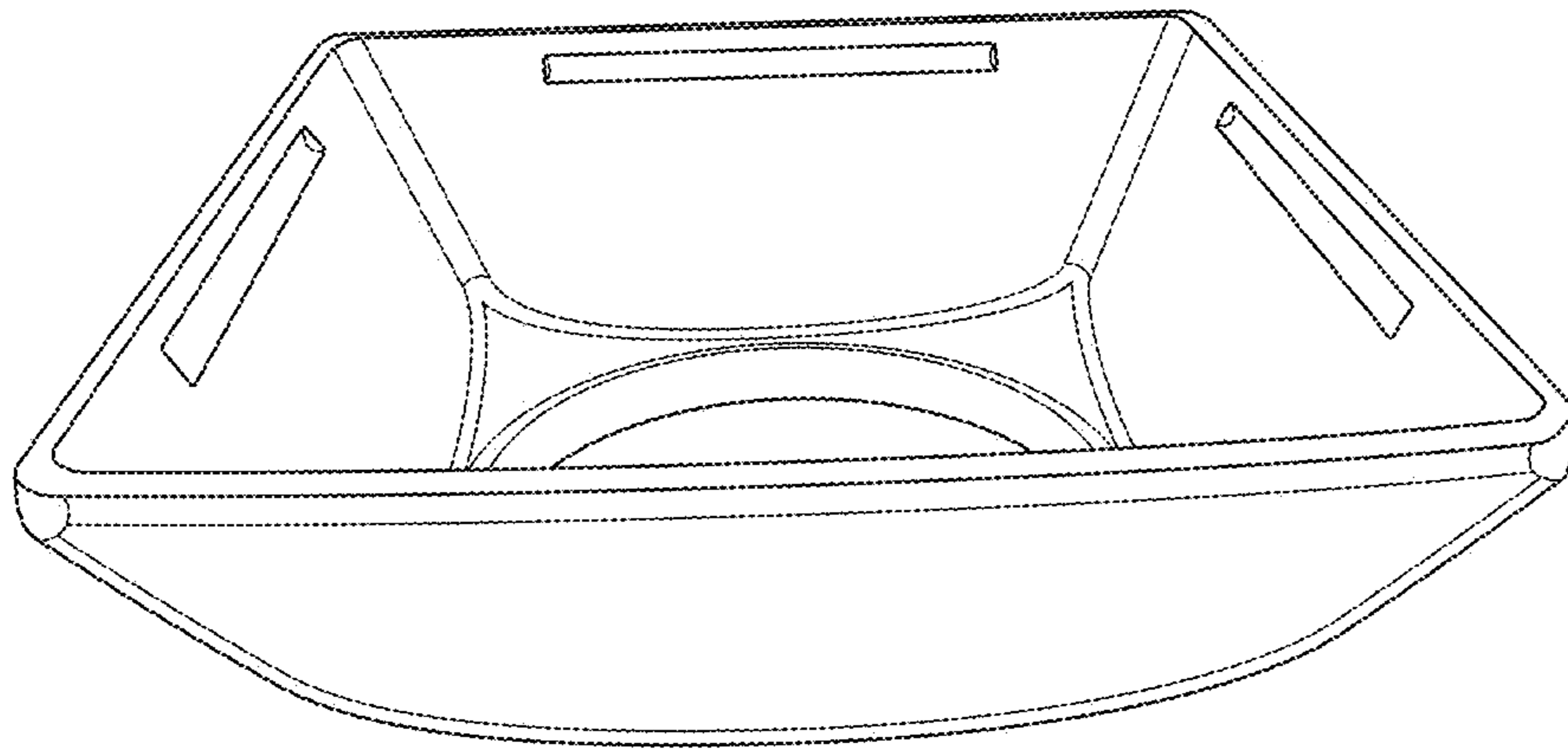


FIG. 2