



US00D906471S

(12) **United States Design Patent** (10) **Patent No.:** **US D906,471 S**
Henskes (45) **Date of Patent:** **** Dec. 29, 2020**

(54) **ANIMAL REPELLENT DEVICE**

(71) Applicant: **Steinar Henskes**, Delft (NL)

(72) Inventor: **Steinar Henskes**, Delft (NL)

(**) Term: **15 Years**

(21) Appl. No.: **29/662,411**

(22) Filed: **Sep. 5, 2018**

(51) **LOC (12) Cl.** **22-06**

(52) **U.S. Cl.**
USPC **D22/120**

(58) **Field of Classification Search**

USPC D22/119–120; D26/37, 49, 51; 43/77,
43/111–113, 124, 126, 129; D16/131,
D16/133, 208; D21/514–515
CPC A01M 29/00; A01M 29/005; A01M 29/35;
A01M 29/32; A01M 31/00; A01M 31/06;
B05B 1/24

See application file for complete search history.

(56) **References Cited**

U.S. PATENT DOCUMENTS

D88,224 S *	11/1932	Fitzpatrick	D16/133
3,200,535 A *	8/1965	Hession, Jr.	B05B 1/24 43/129
D271,307 S *	11/1983	Green	D16/133
D344,319 S *	2/1994	Liu	D22/120
D375,106 S *	10/1996	Matsuda	D16/133
D574,028 S *	7/2008	Vernon	D16/208
D681,769 S *	5/2013	Jan	D22/120
D777,876 S *	1/2017	Zhang	D22/120
D779,027 S *	2/2017	Zhang	D22/120
D830,493 S *	10/2018	Khubani	D22/120
D833,567 S *	11/2018	Mascari	D22/120
D839,987 S *	2/2019	Dai	D22/120
D842,424 S *	3/2019	Turner	D22/120

OTHER PUBLICATIONS

P3 International P7815 Solar Animal Chaser, .windowdoorparts.com (Year: 2017).*

Hip Vantage Antiqued Brass Binoculars with Stand, Overstock.com (Year: 2020).*

* cited by examiner

Primary Examiner — Catherine R Oliver-Garcia

(74) *Attorney, Agent, or Firm* — Miller IP Law, LLC

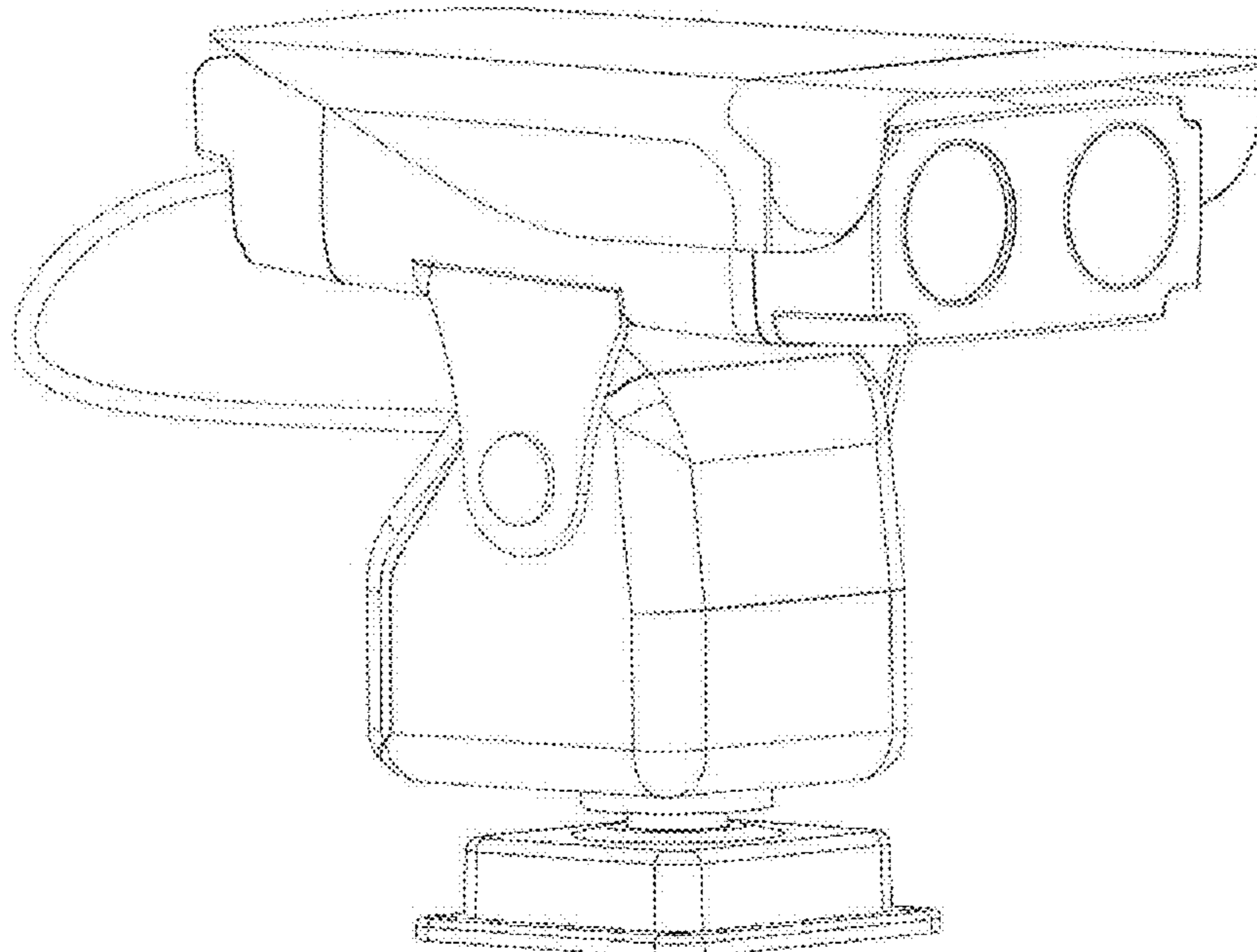
(57) **CLAIM**

The ornamental design for an animal repellent device, as shown and described.

DESCRIPTION

FIG. 1 is a side perspective view of an animal repellent device, according to a first embodiment.
FIG. 2 is a left side elevation view thereof.
FIG. 3 is a side right side elevation view thereof.
FIG. 4 is a rear elevation view thereof.
FIG. 5 is a top plan view thereof.
FIG. 6 is a bottom plan view thereof.
FIG. 7 is a right side perspective view of an animal repellent device, according to a second embodiment.
FIG. 8 is a left side elevation view thereof.
FIG. 9 is a right side elevation view thereof.
FIG. 10 is a rear elevation view thereof.
FIG. 11 is a top plan view thereof.
FIG. 12 is a bottom plan view thereof.
FIG. 13 is a right side perspective view of an animal repellent device, according to a third embodiment.
FIG. 14 is a left side elevation view thereof.
FIG. 15 is a right side elevation view thereof; and,
FIG. 16 is a rear elevation view thereof.

1 Claim, 16 Drawing Sheets



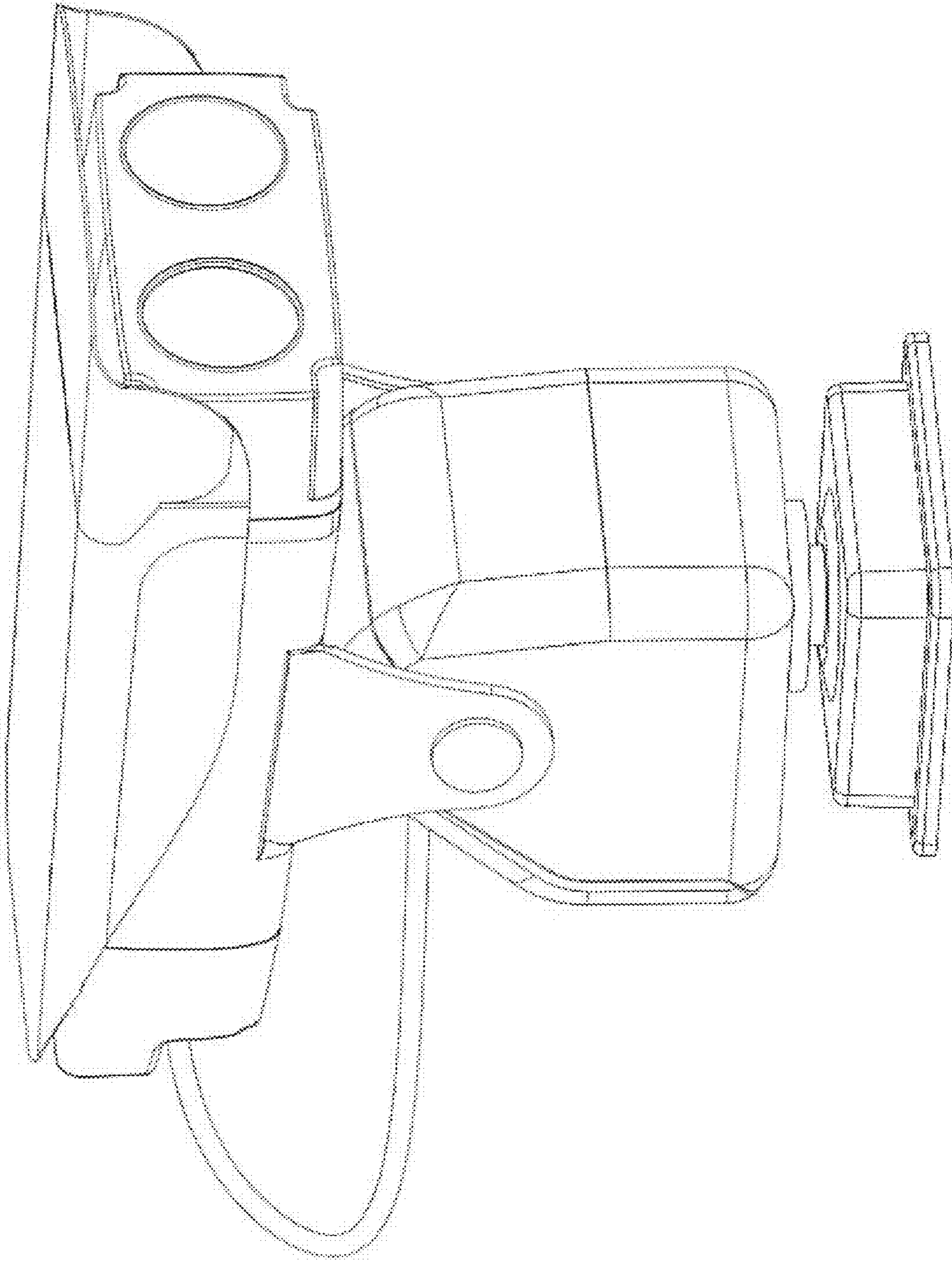


FIG. 1

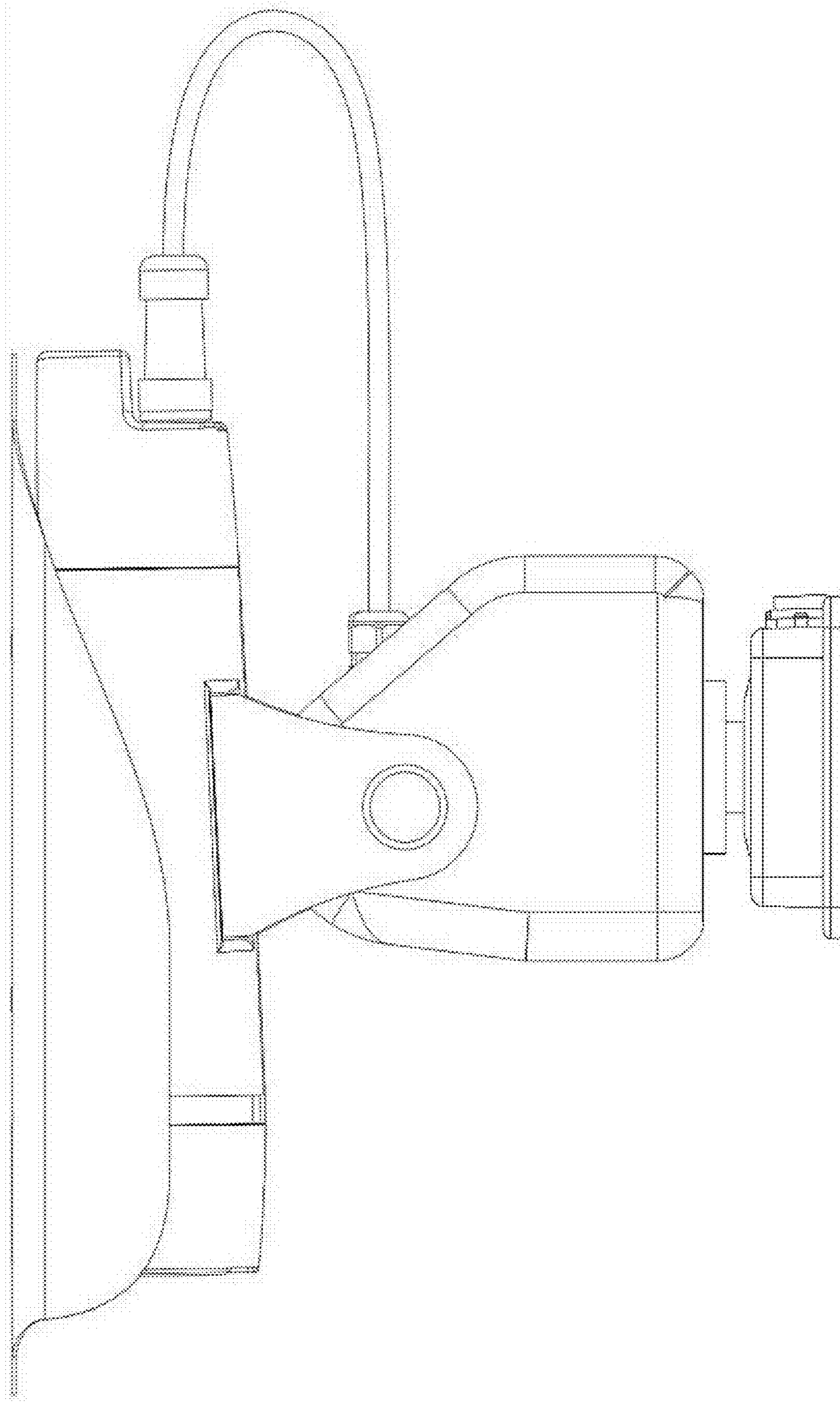


FIG. 2

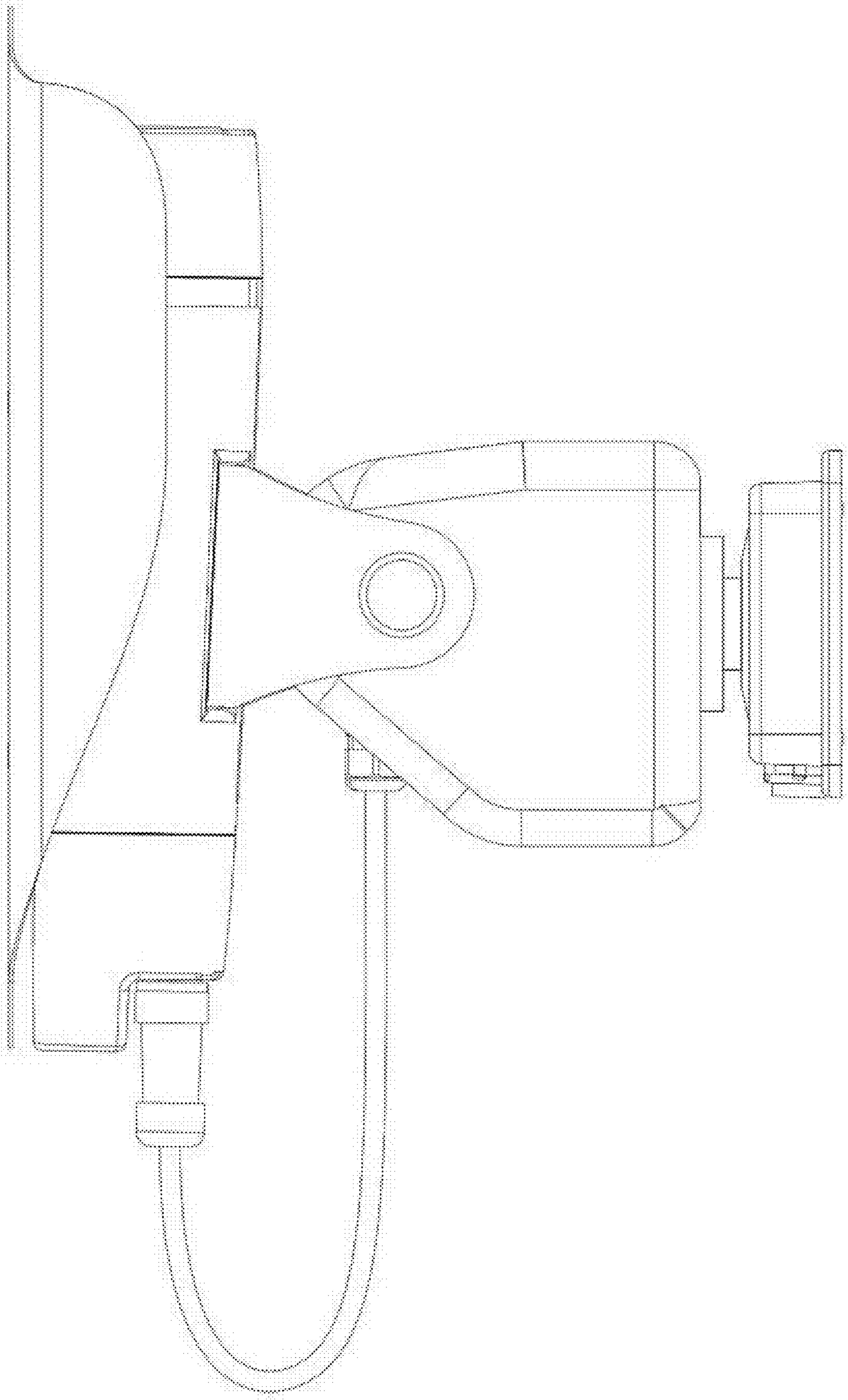


FIG. 3

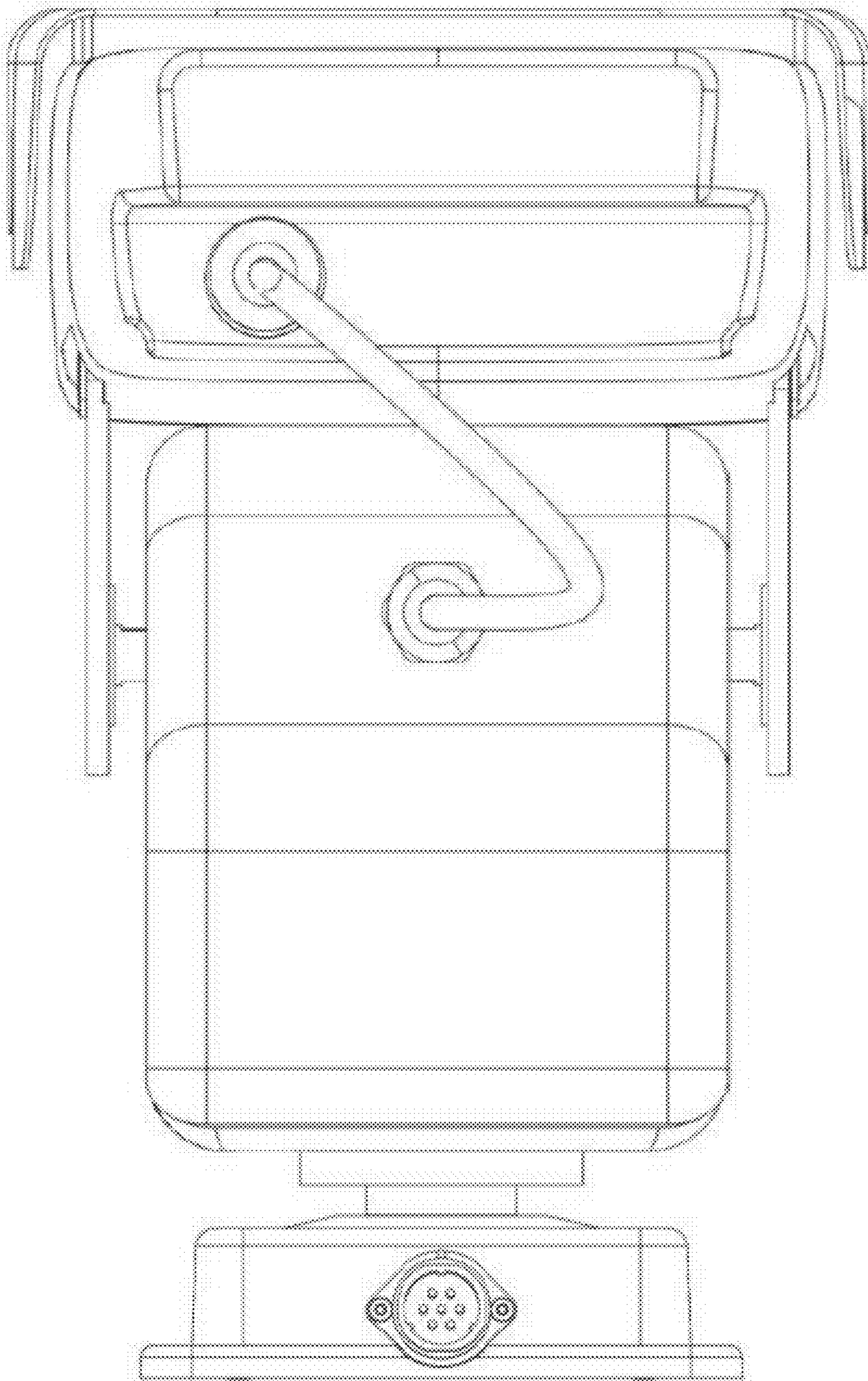


FIG. 4

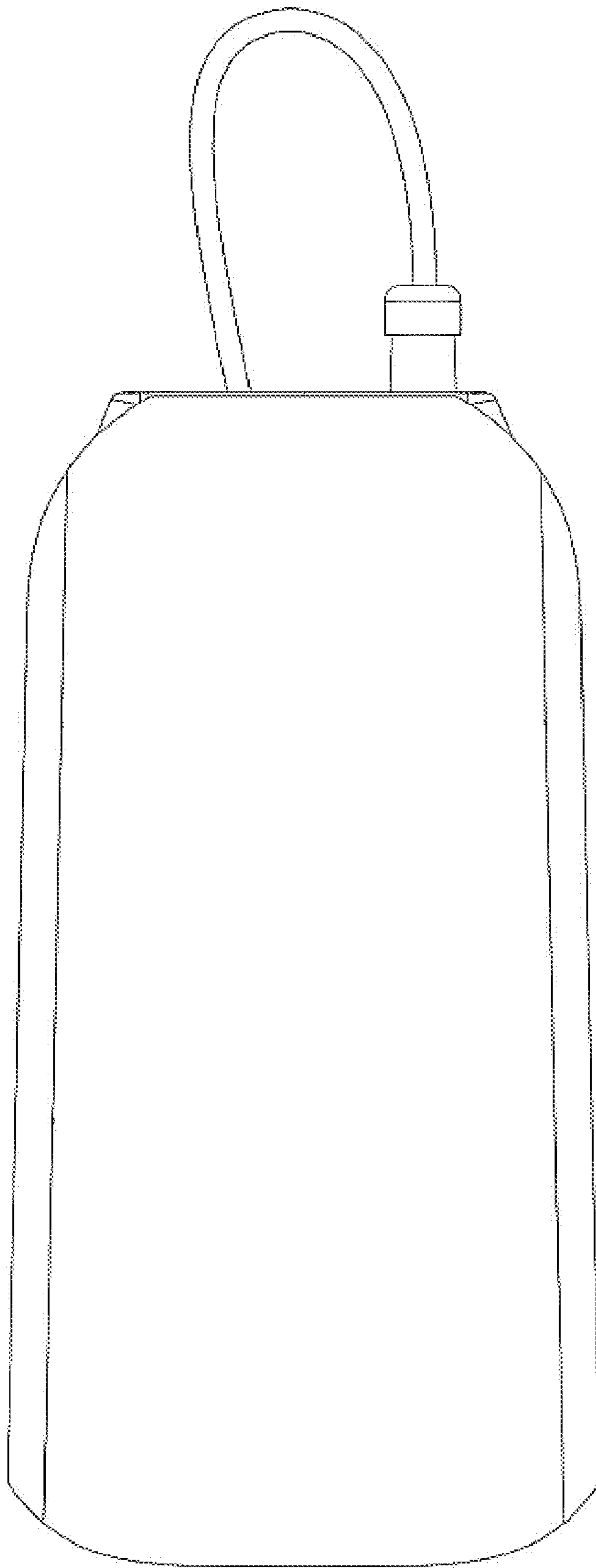


FIG. 5

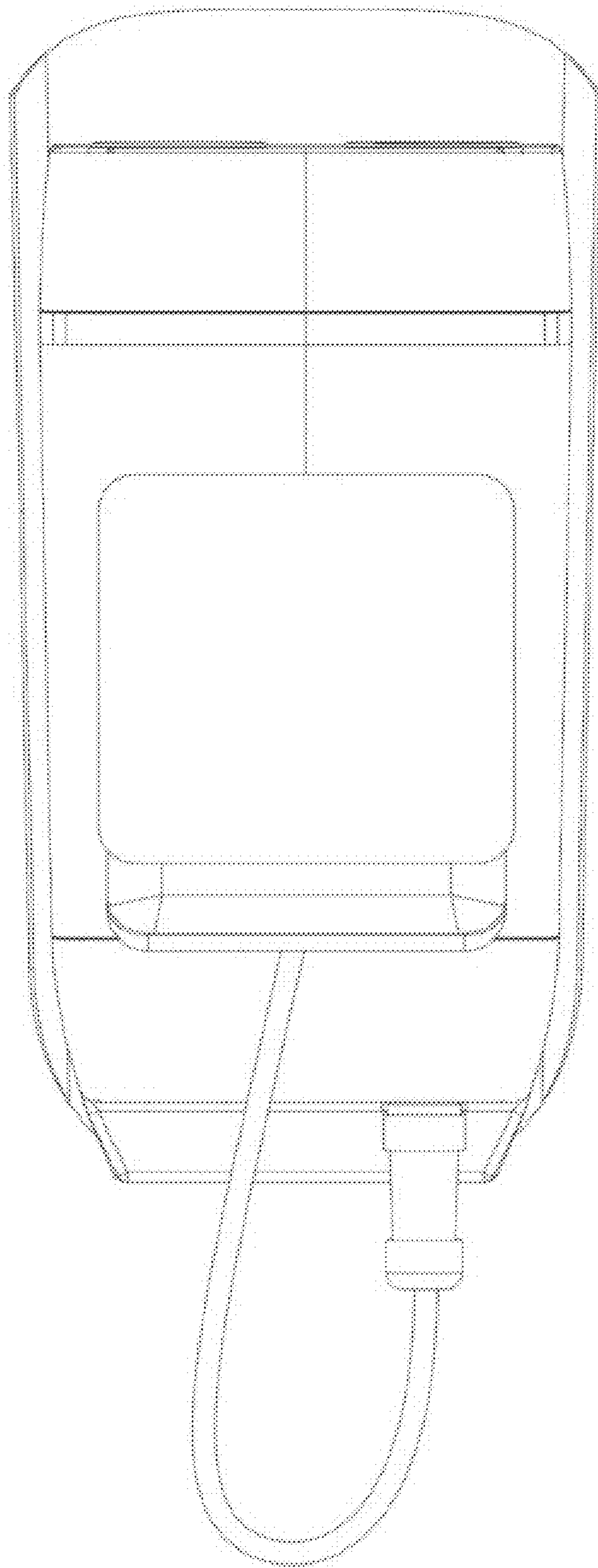


FIG. 6

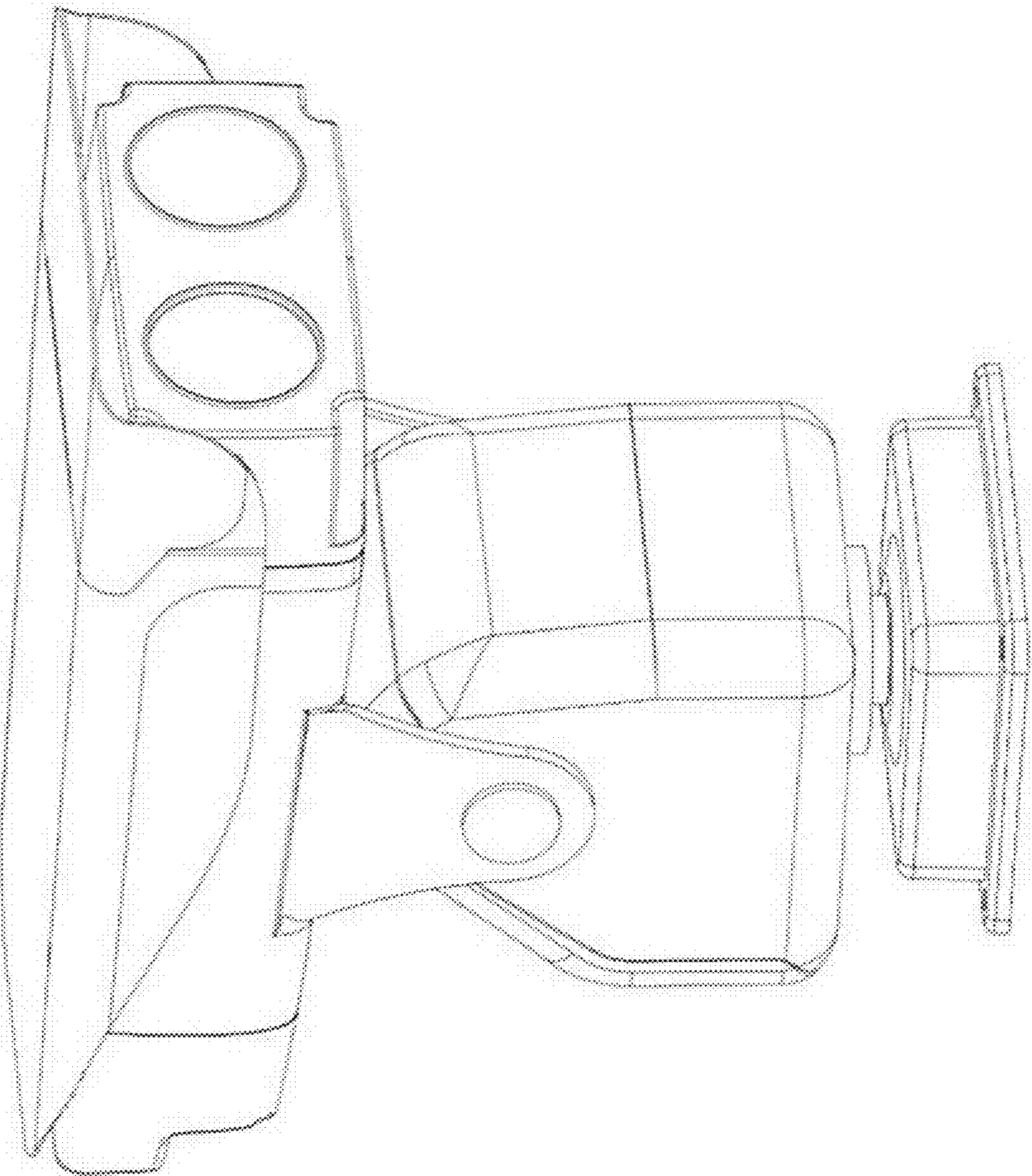


Fig. 7

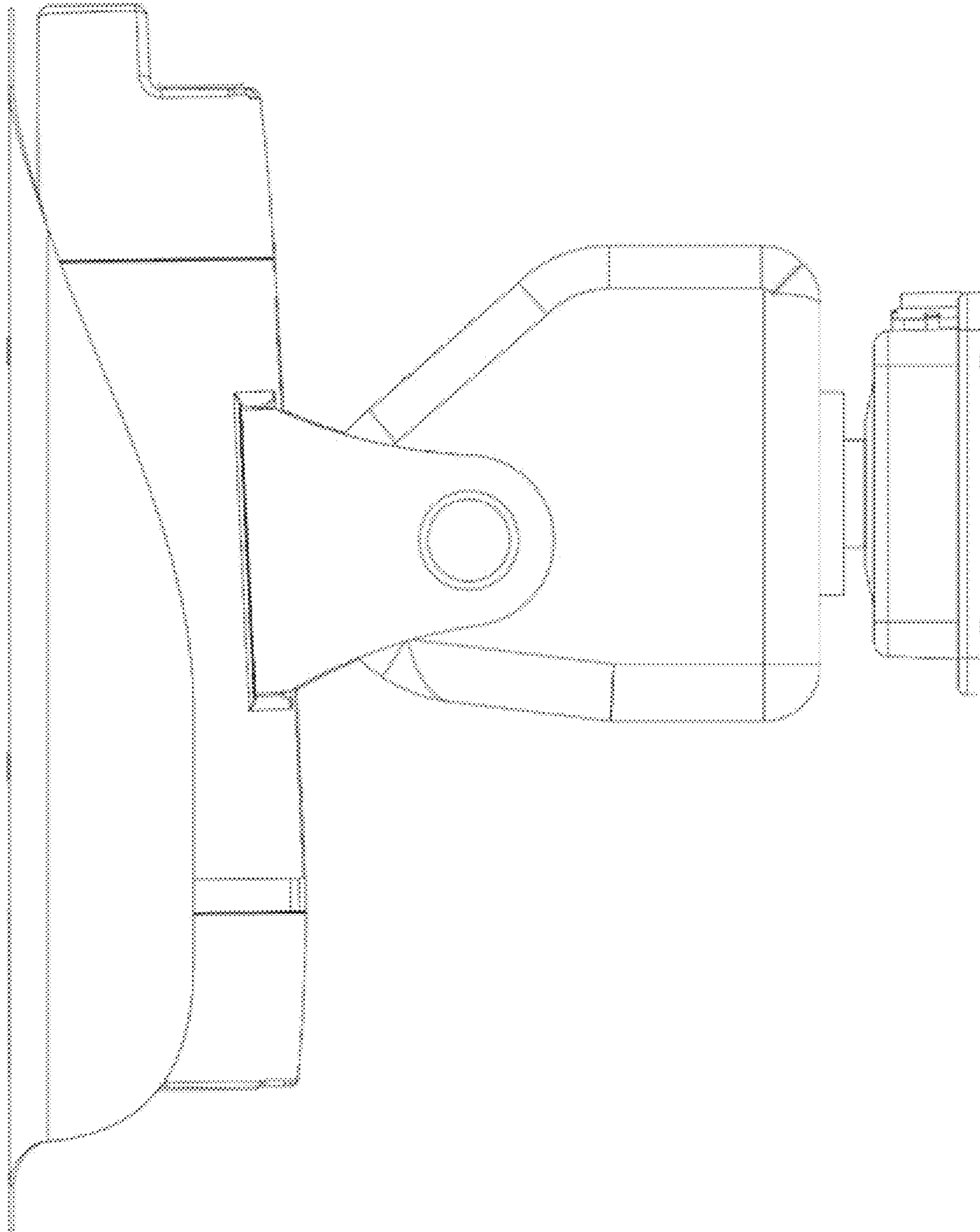


Fig. 8

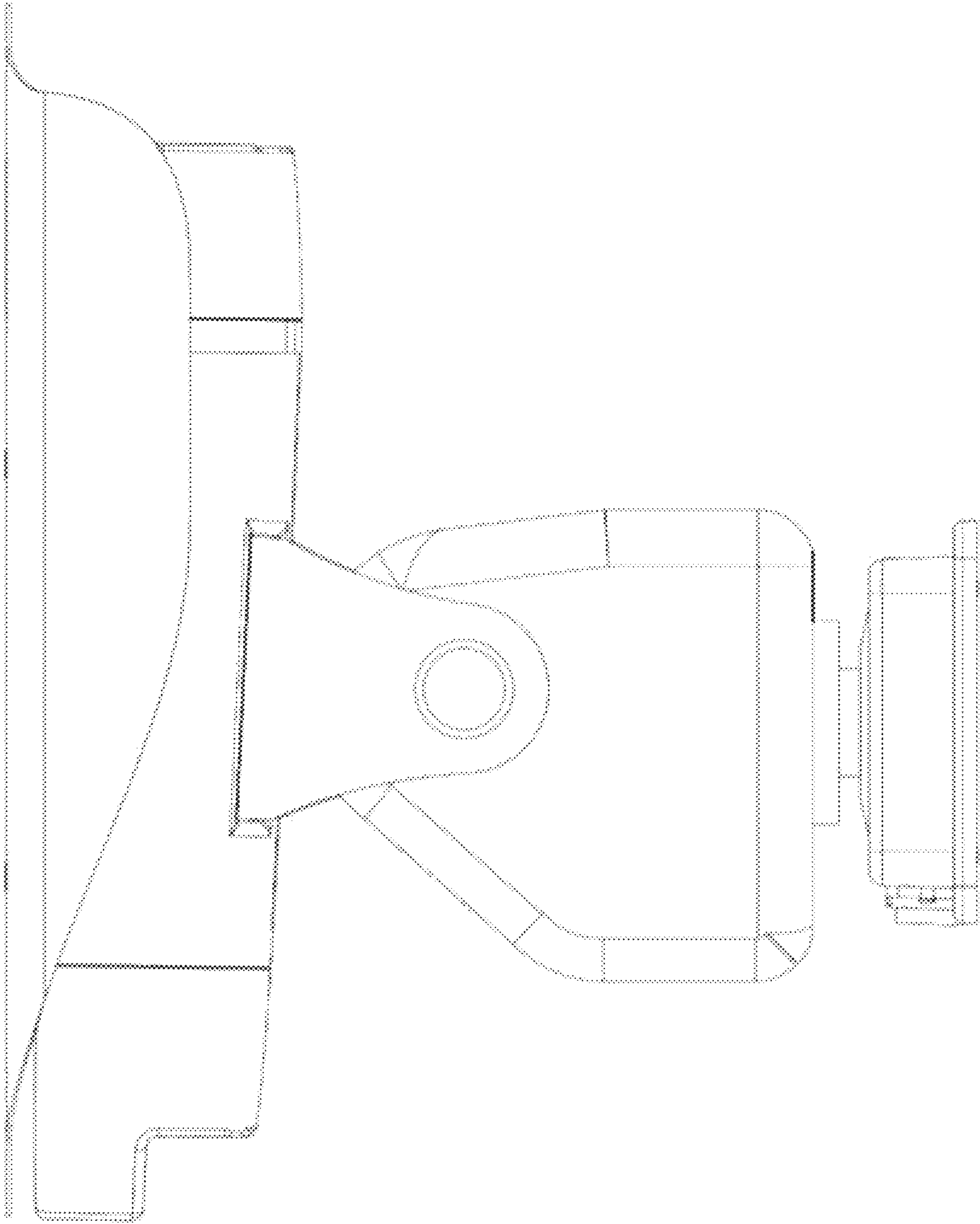


FIG. 9

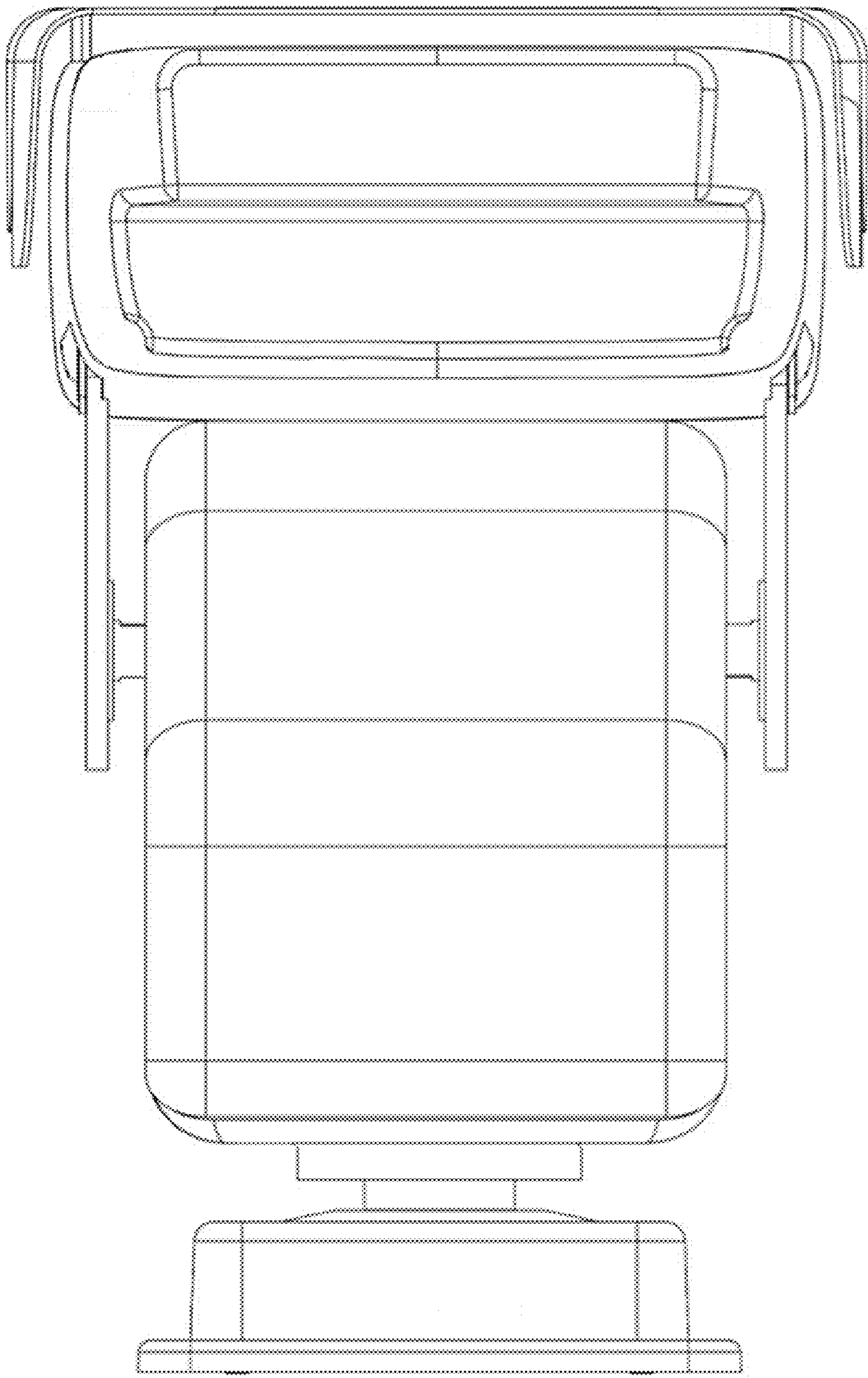


Fig. 10

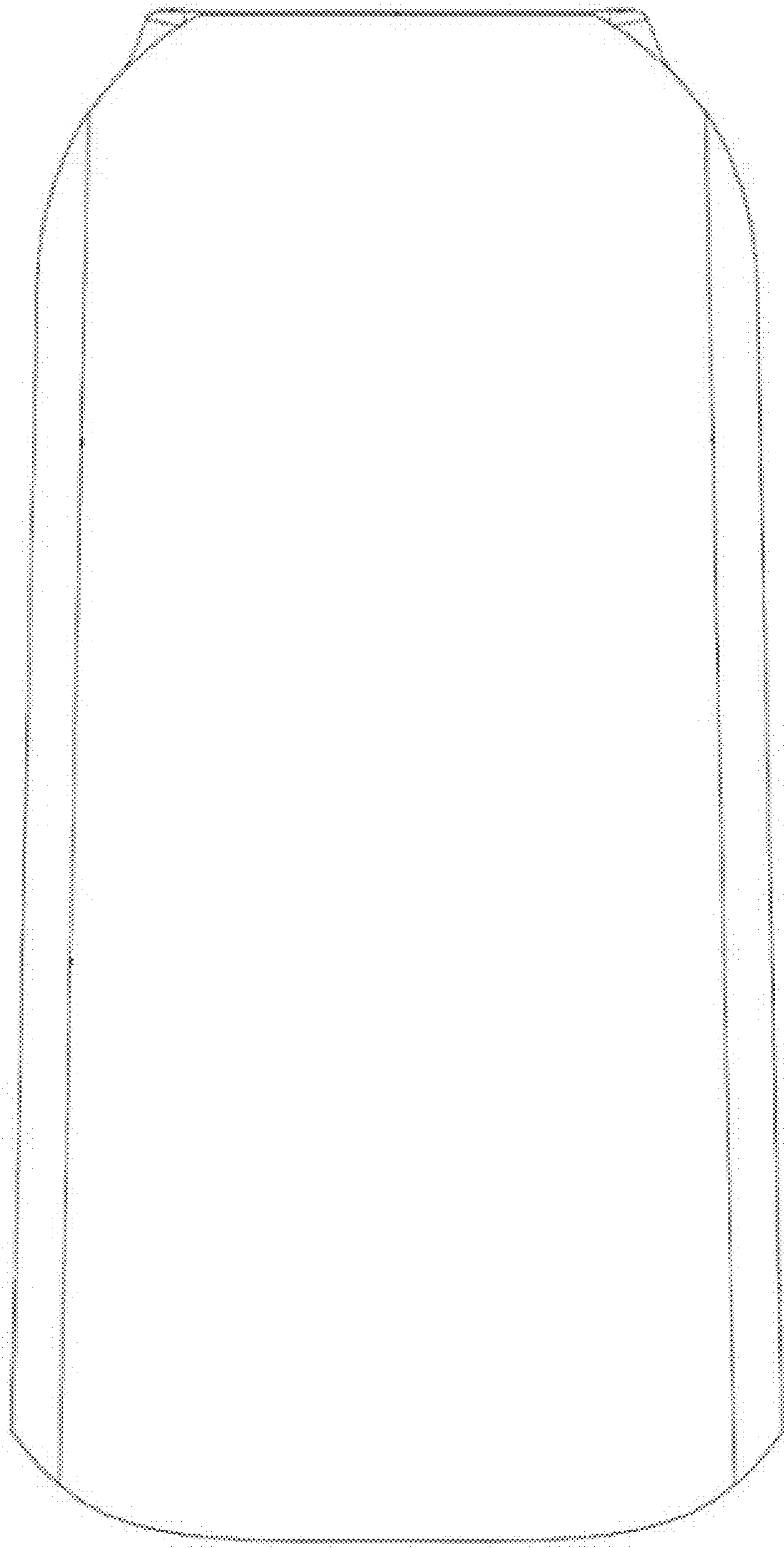


FIG. 11

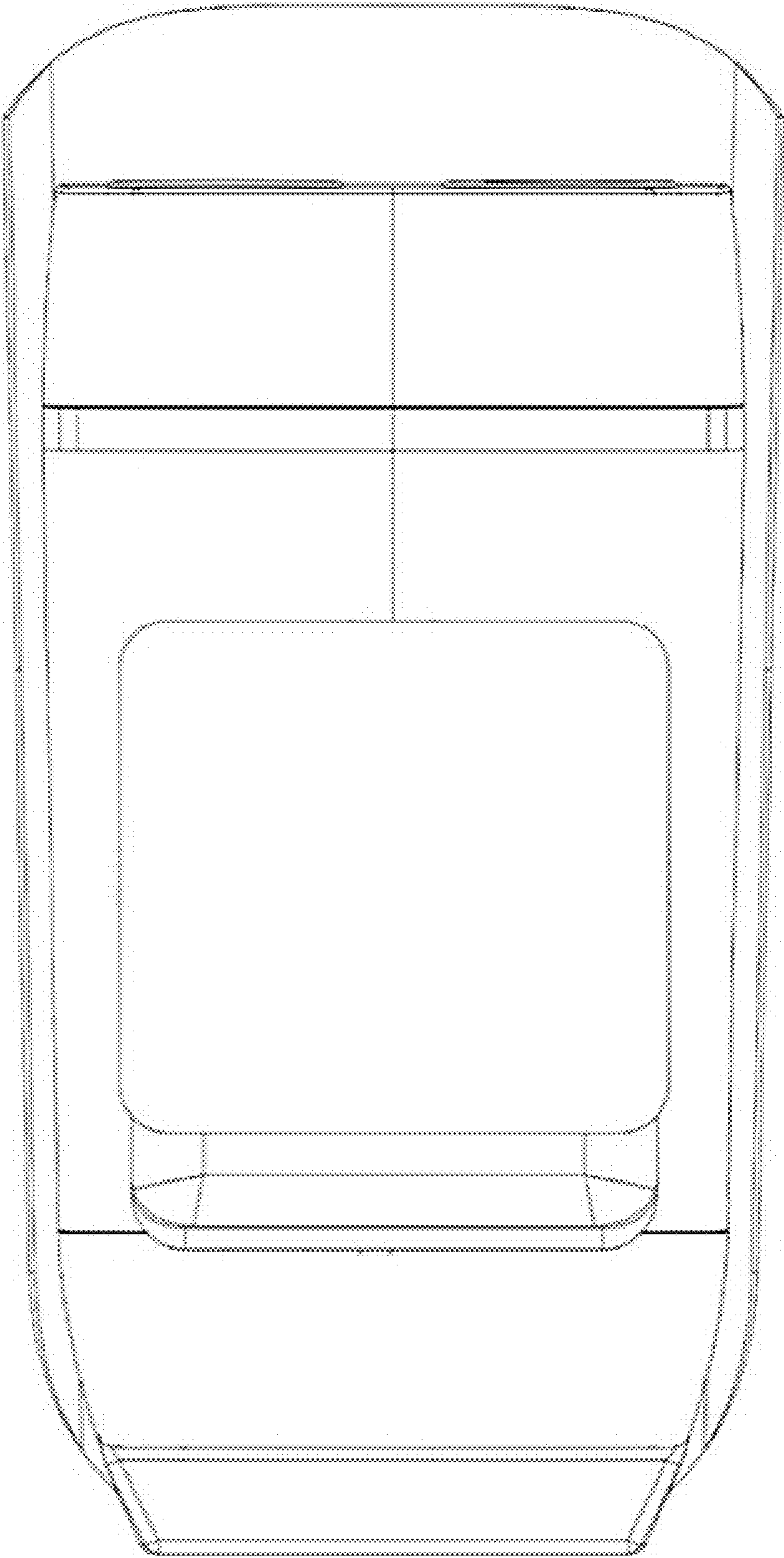


FIG. 12

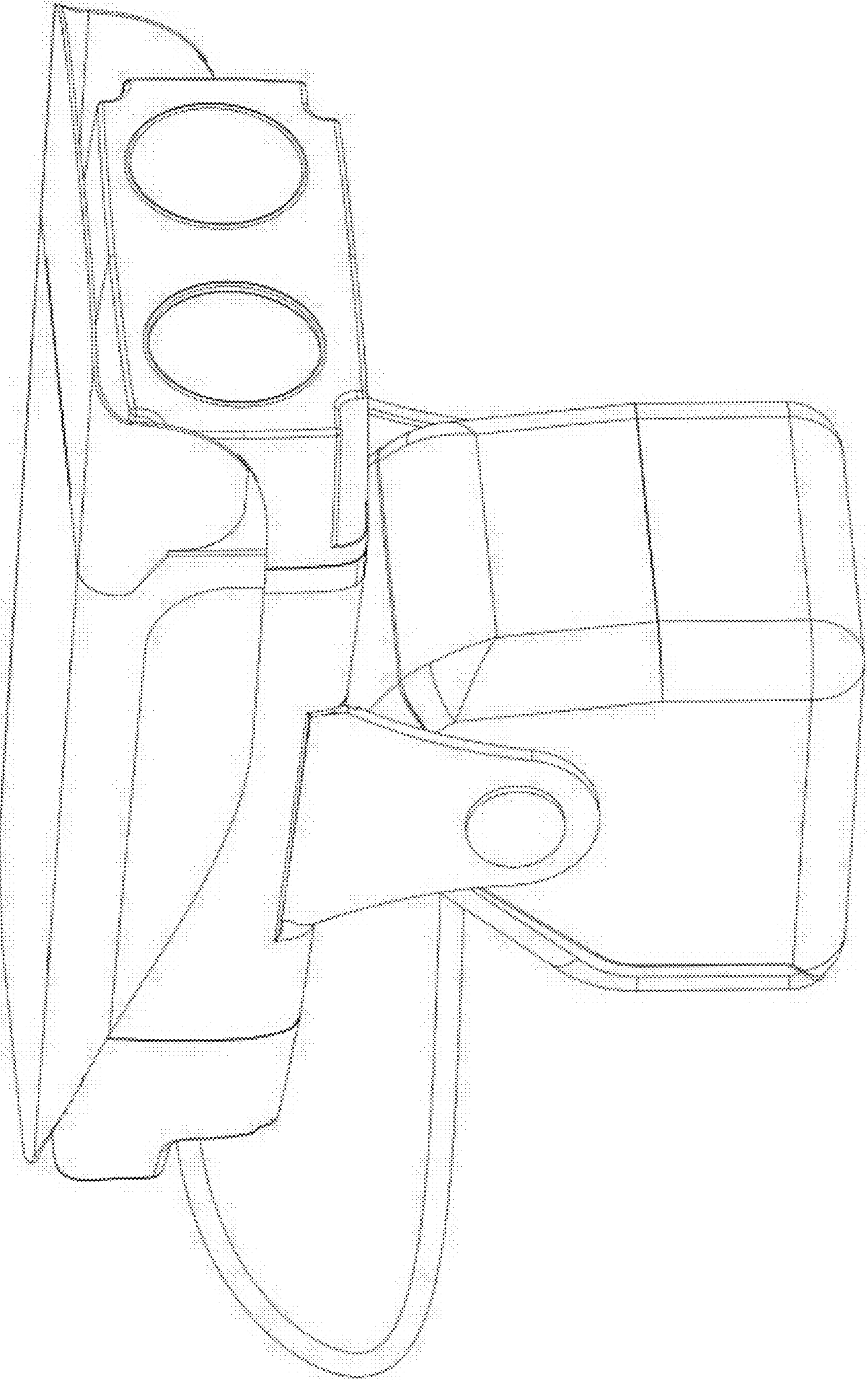


FIG. 13

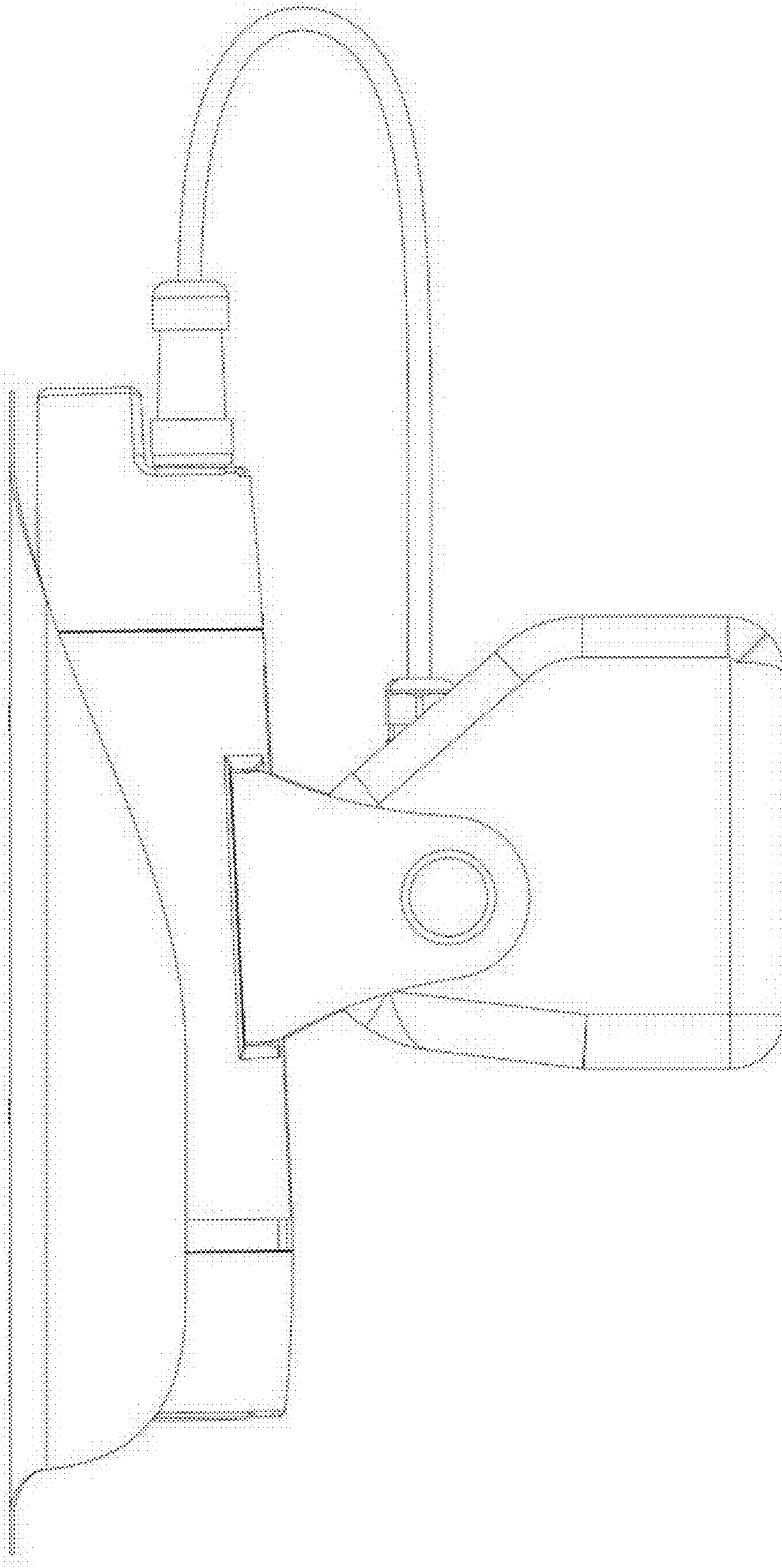


FIG. 14

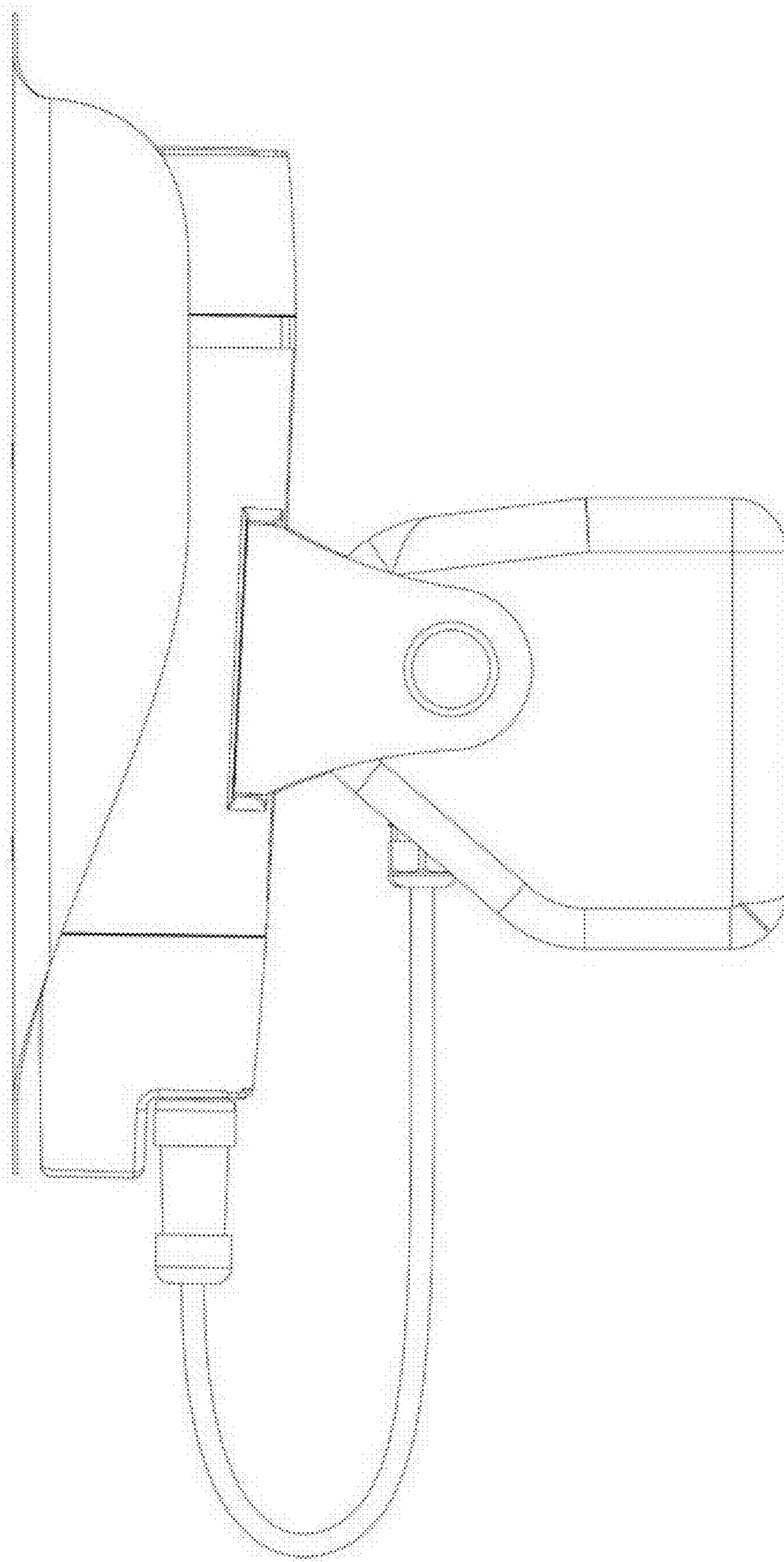


FIG. 15

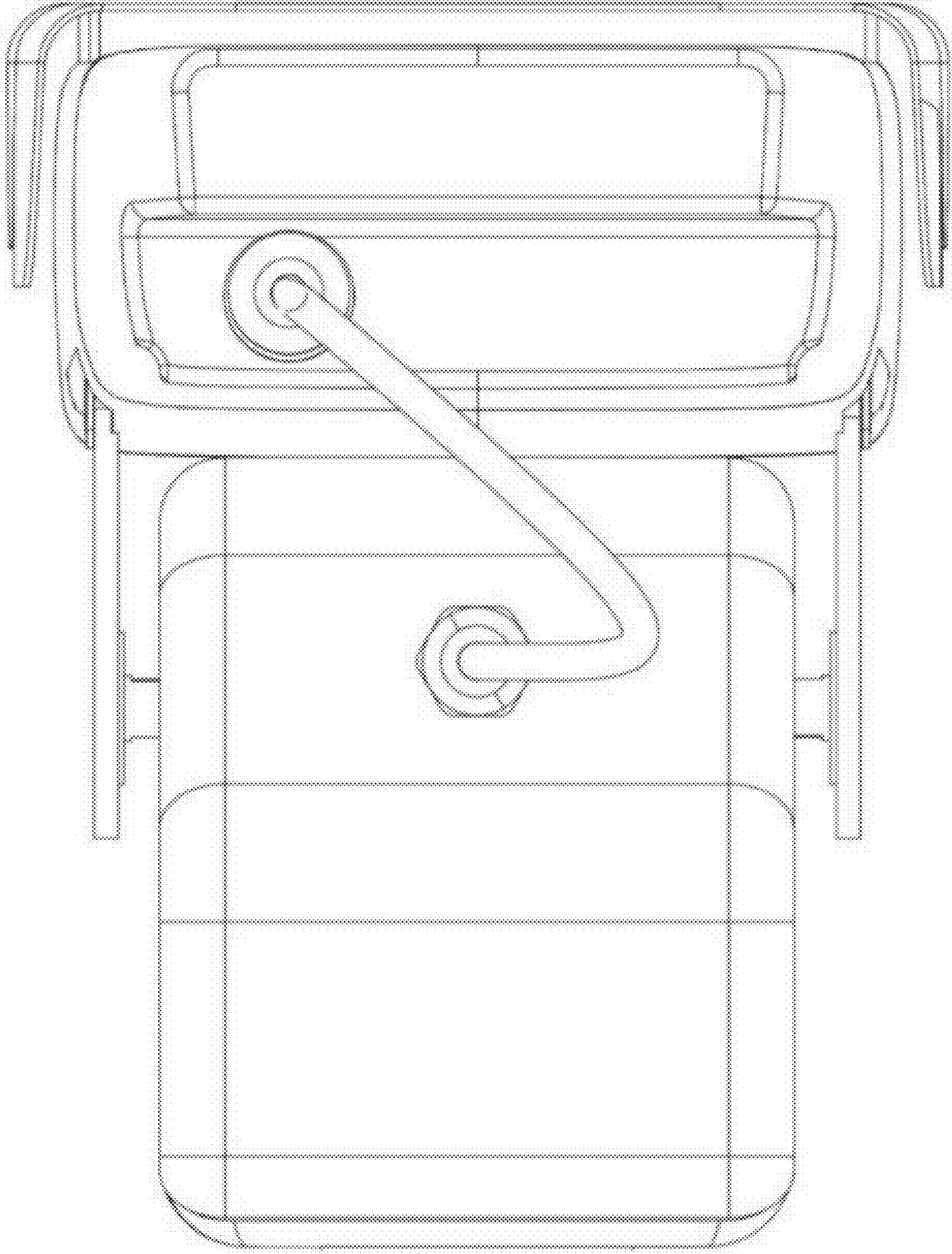


FIG. 16