



US00D906469S

(12) **United States Design Patent** (10) **Patent No.:** **US D906,469 S**
Coggins (45) **Date of Patent:** **** Dec. 29, 2020**

(54) **SCOPE MOUNT**
(71) Applicant: **Timothy L. Coggins**, Sanford, NC (US)
(72) Inventor: **Timothy L. Coggins**, Sanford, NC (US)
(**) Term: **15 Years**
(21) Appl. No.: **29/694,467**
(22) Filed: **Jun. 11, 2019**
(51) **LOC (12) Cl.** **22-01**
(52) **U.S. Cl.**
USPC **D22/110**
(58) **Field of Classification Search**
USPC D22/100, 101, 103, 104, 108, 109, 110, D22/111, 115, 116, 199; D21/567, 573, D21/574
CPC ... F41G 1/30; F41G 1/42; F41G 11/00; F41G 11/001; F41C 7/00; F41C 3/005; F41C 23/04; F41C 23/10
See application file for complete search history.

D715,393 S * 10/2014 Williams D22/109
D777,289 S * 1/2017 Cheng D22/109
9,759,524 B2 * 9/2017 Culp F41G 11/003
D802,703 S * 11/2017 Perales D22/109
D825,023 S * 8/2018 Jozaitis D22/110
D837,929 S * 1/2019 Wright D22/110
2003/0192224 A1 * 10/2003 Kirk F41G 11/002
42/124
2016/0209176 A1 * 7/2016 Zimmer F41G 11/001
2016/0258716 A1 * 9/2016 Haugen F41G 11/003
2016/0377385 A1 * 12/2016 Culp F41G 11/003
42/126

(56) **References Cited**

U.S. PATENT DOCUMENTS

2,452,145 A * 10/1948 Pike F41G 11/002
42/127
2,911,723 A * 11/1959 Ashbrook F41G 11/003
42/126
D212,690 S * 11/1968 Kuharsky, Jr. D22/110
5,390,419 A * 2/1995 Sirkis F41G 11/006
42/127
D383,826 S * 9/1997 Weigand D22/109
D554,730 S * 11/2007 Coggins D22/110
8,205,375 B1 * 6/2012 Swan F41G 1/38
42/124
8,387,300 B1 * 3/2013 Holland F41G 11/001
42/127
D713,921 S * 9/2014 Williams D22/109

OTHER PUBLICATIONS

“DNZ Game Reaper Scope Mount. Savage Weather Warrior”.
[online]. Jon D. [Published on Mar. 3, 2015]. Retrieved from the
Internet: <<https://www.youtube.com/watch?v=Z9h8zfG27so>>.*

(Continued)

Primary Examiner — Khawaja Anwar
Assistant Examiner — Mojtaba Tehrani
(74) *Attorney, Agent, or Firm* — Tuggle Duggins P.A.;
Blake P. Hurt

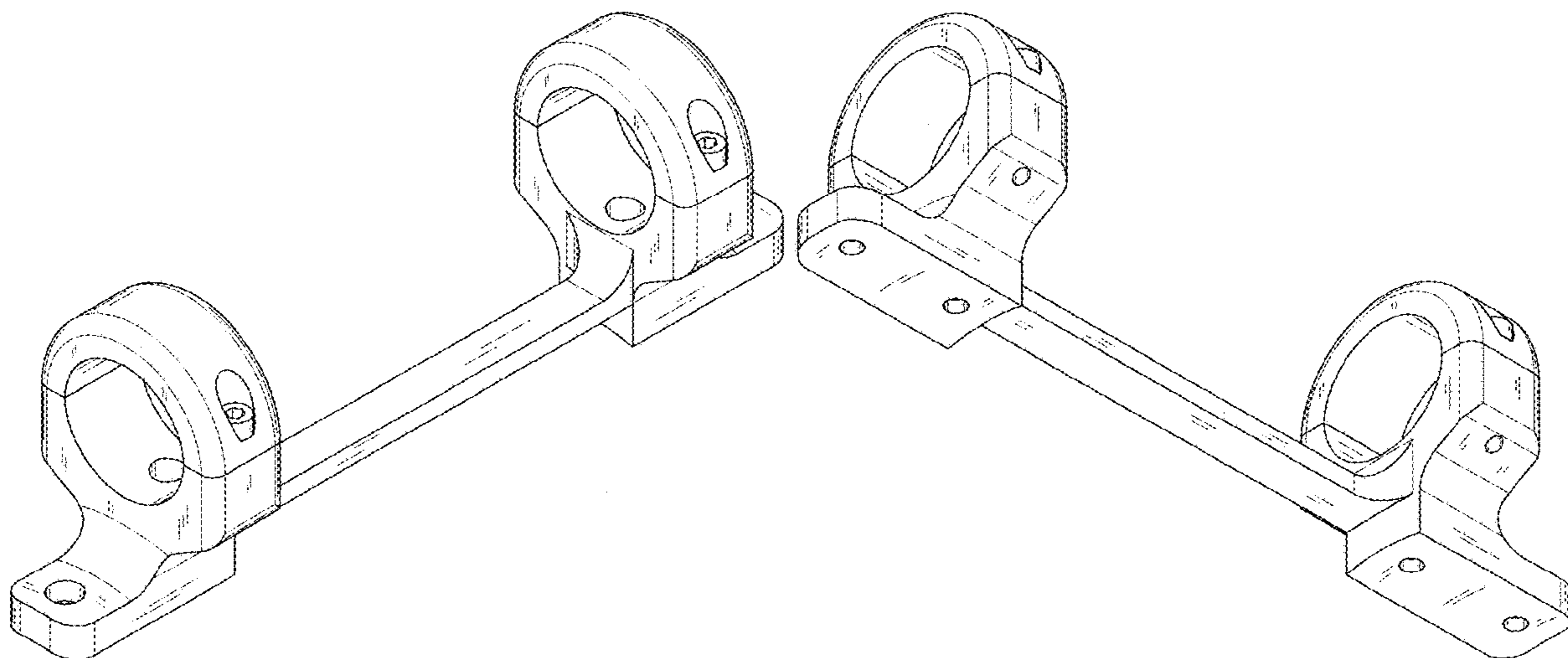
(57) **CLAIM**

The ornamental design for a scope mount, as shown and described.

DESCRIPTION

FIG. 1 is a top, front, right side perspective view of a scope mount showing my new design;
FIG. 2 is a bottom, rear, left side perspective view thereof;
FIG. 3 is a right side elevational view thereof;
FIG. 4 is a left side elevational view thereof;
FIG. 5 is a top plan view thereof;
FIG. 6 is a bottom plan view thereof; and,
FIG. 7 is a front elevational view thereof, the rear elevational view being a mirror image thereof.

1 Claim, 7 Drawing Sheets



(56)

References Cited

OTHER PUBLICATIONS

“DNZ Products Game Reaper 1-Piece Scope Base with Integral Rings Browning A-Bolt Long Action” [online]. midwayusa.com. [Product reviews as early as 2010]. Retrieved from the Internet: <<https://www.midwayusa.com/product/3011157440>>.*

* cited by examiner

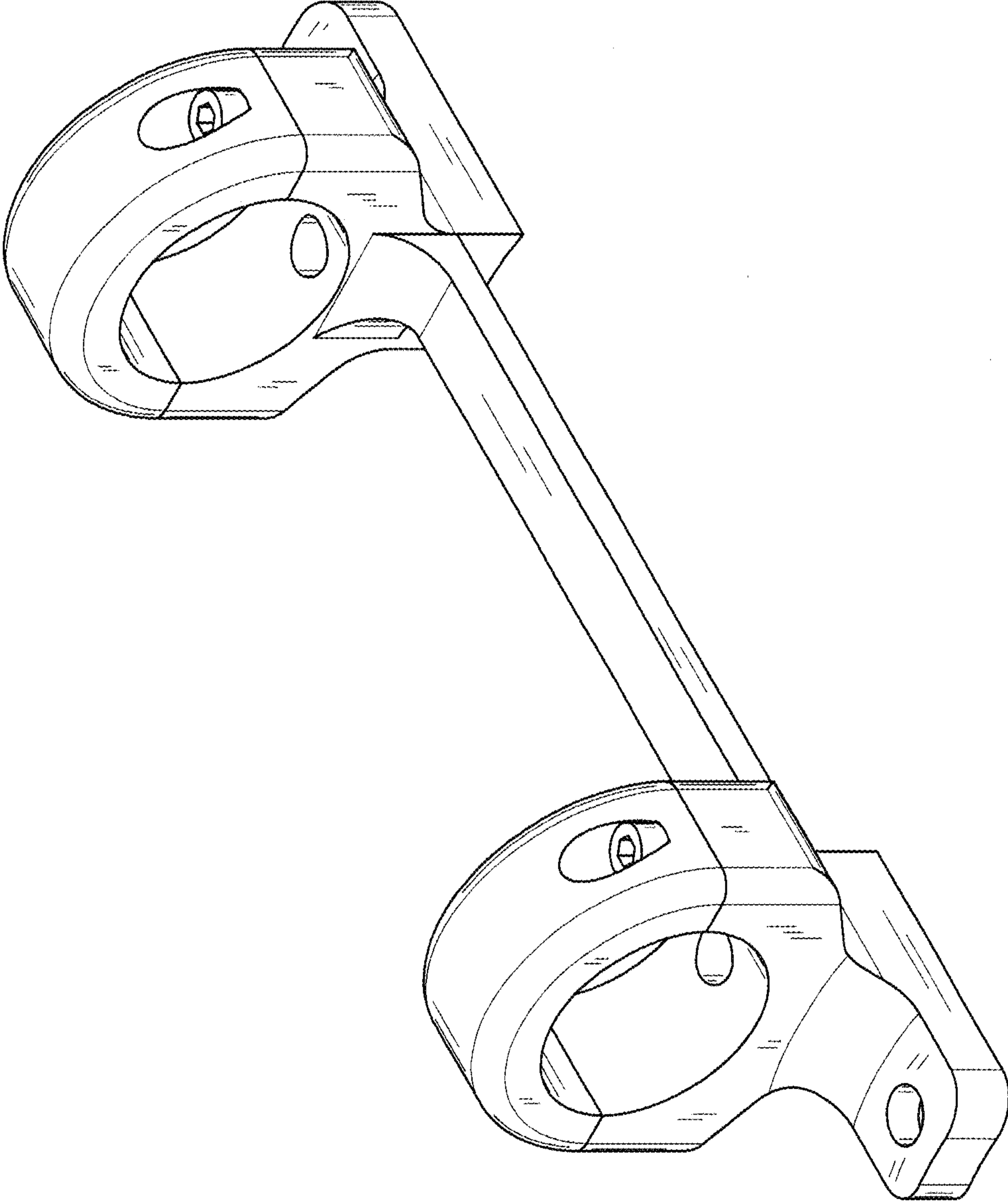


FIG. 1

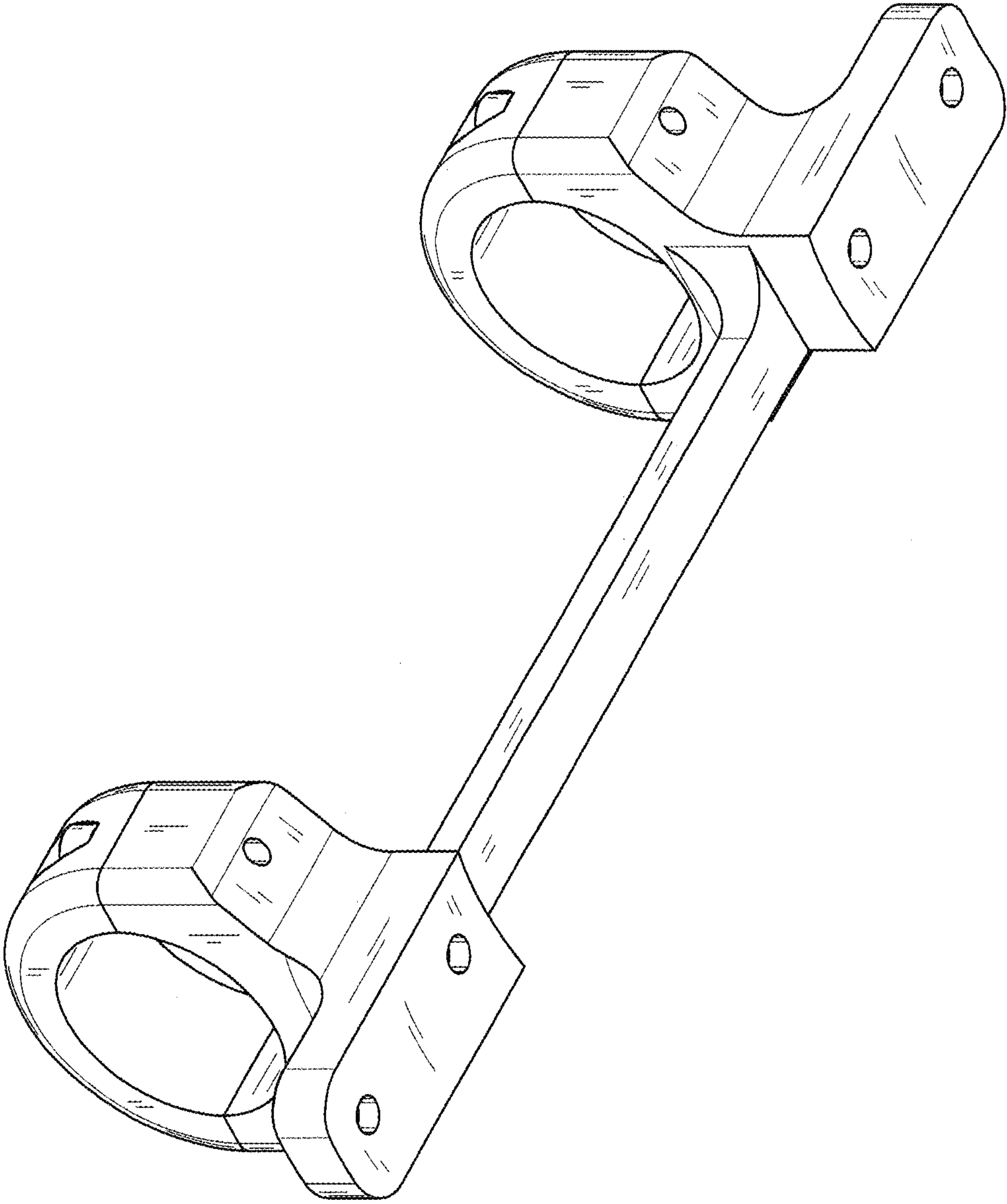


FIG. 2

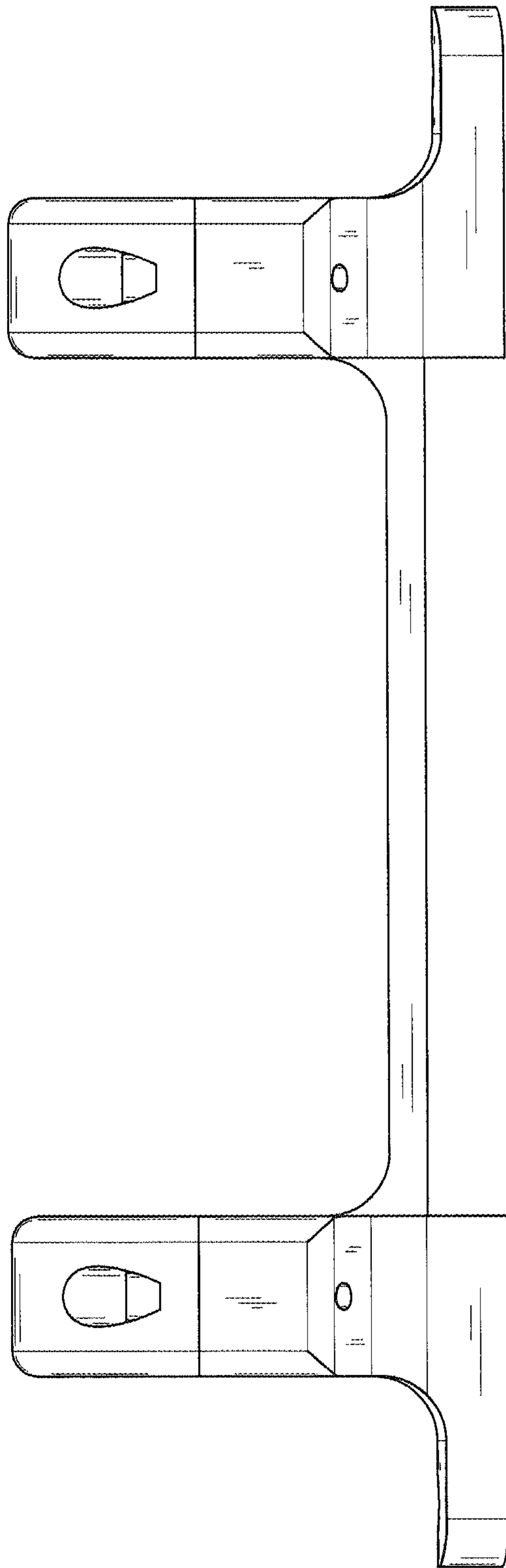


FIG. 3

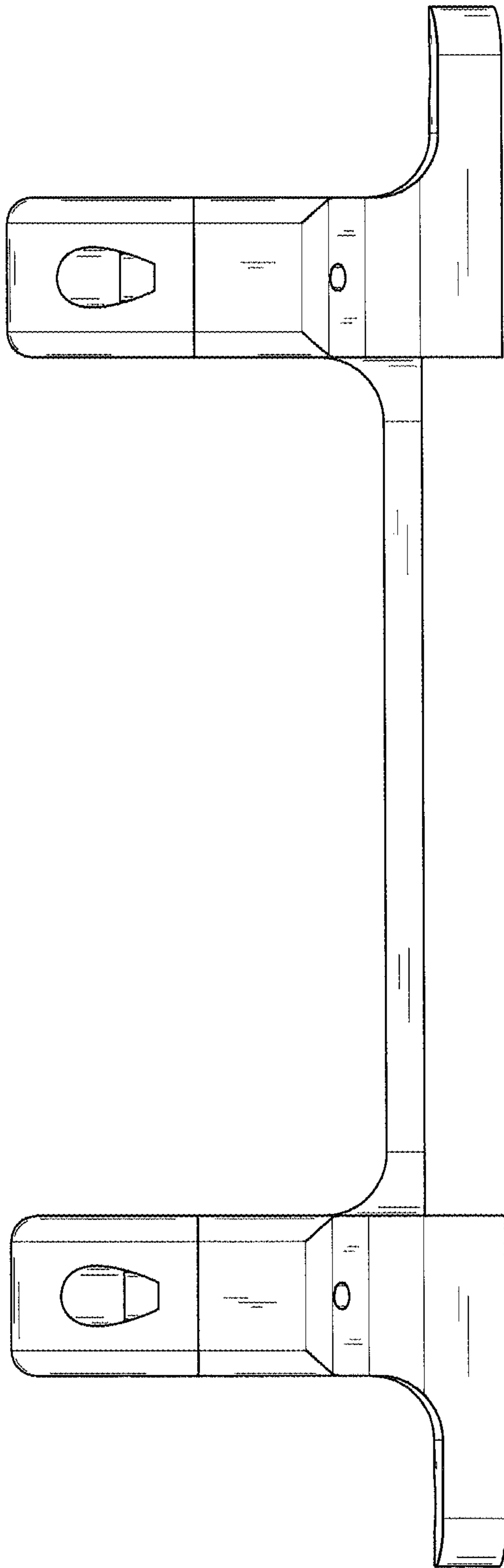


FIG. 4

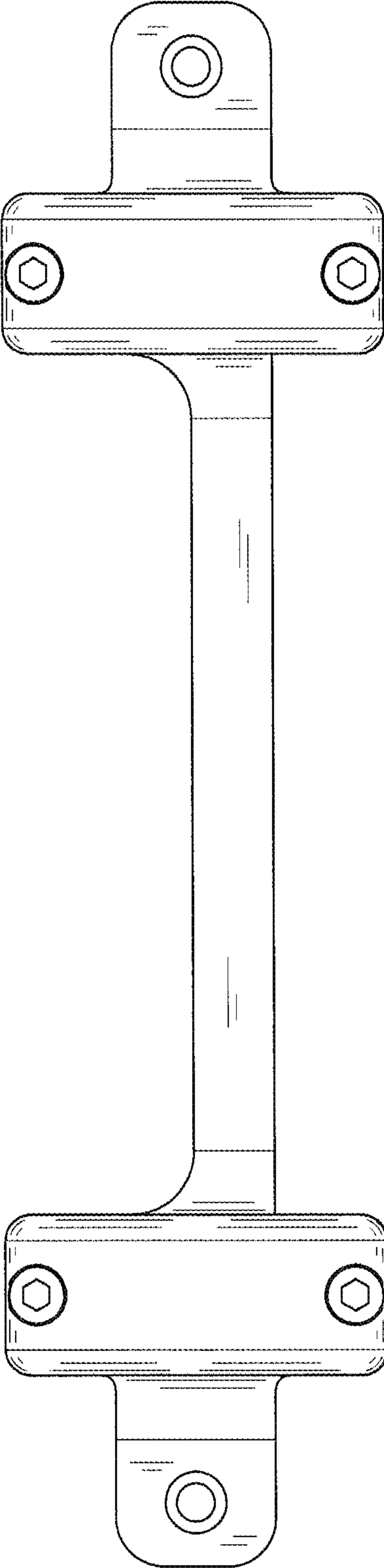


FIG. 5

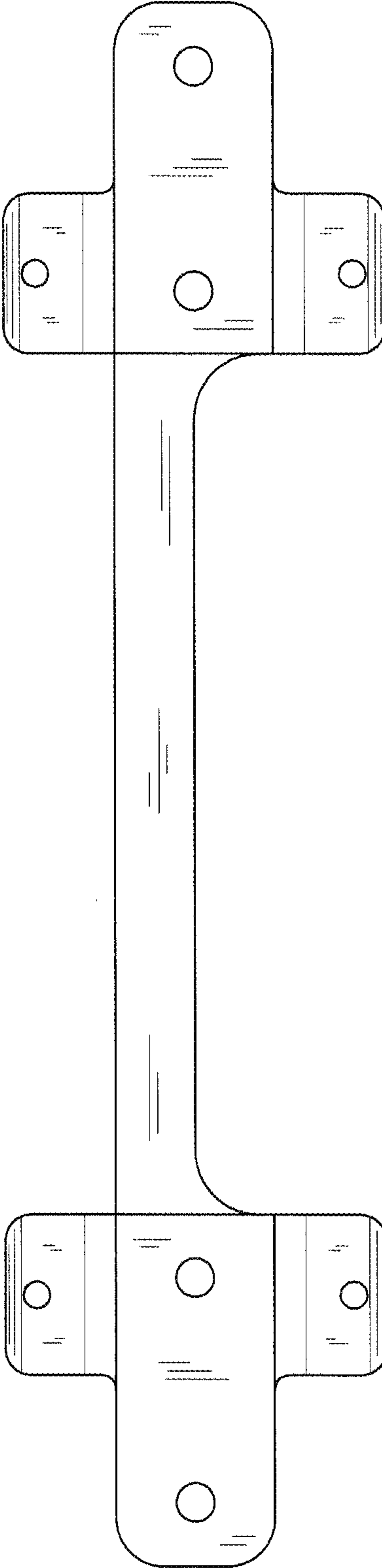


FIG. 6

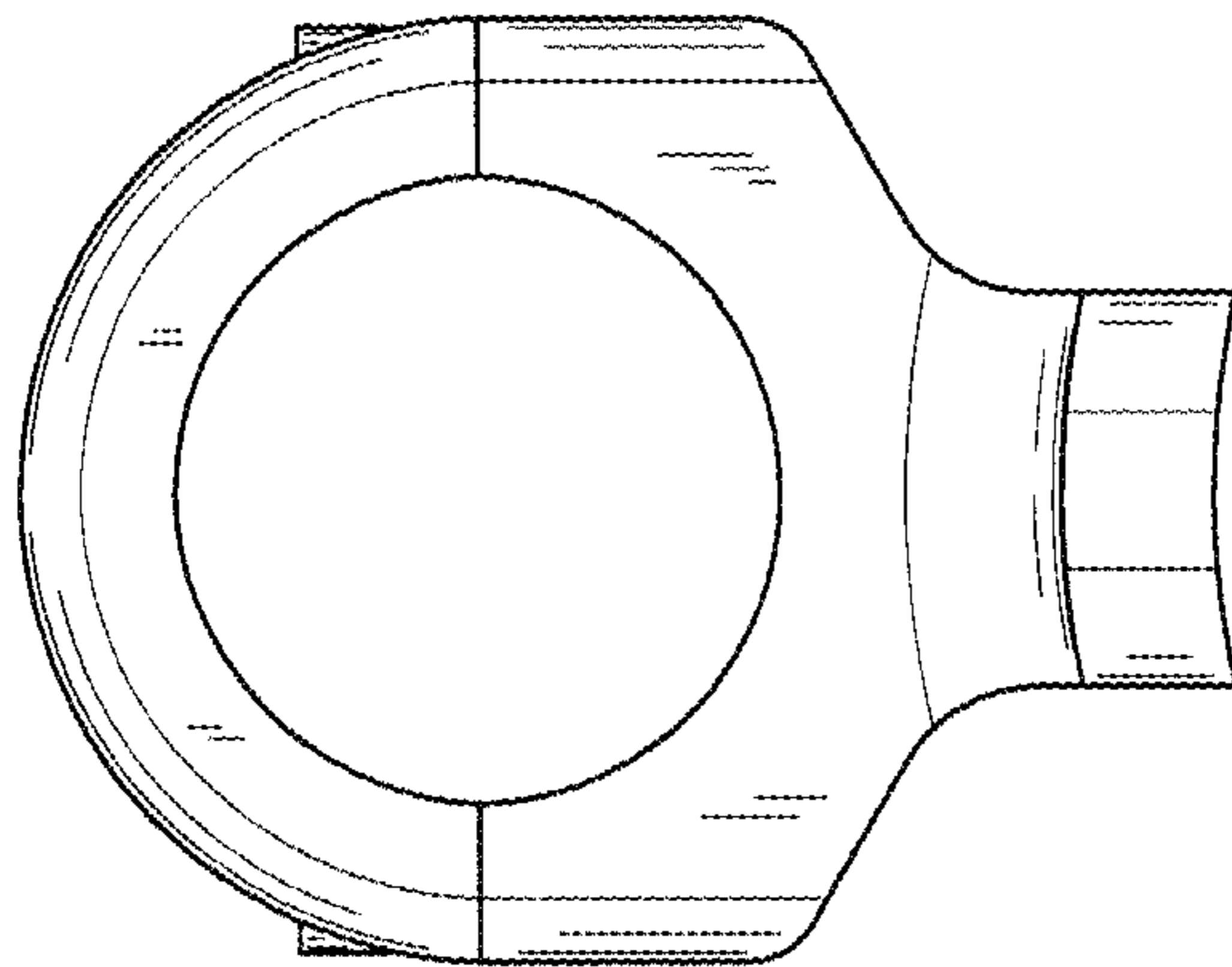


FIG. 7