



US00D906468S

(12) **United States Design Patent** (10) **Patent No.:** **US D906,468 S**
Chavez (45) **Date of Patent:** **** Dec. 29, 2020**

(54) **LASER RANGEFINDER TRIPOD MOUNT**
 (71) Applicant: **BUSHNELL INC.**, Overland Park, KS (US)
 (72) Inventor: **Alejandro Chavez**, Overland Park, KS (US)
 (73) Assignee: **BUSHNELL INC.**, Overland Park, KS (US)

D604,597 S * 11/2009 Fernandez D8/381
 D672,840 S * 12/2012 Neufeld D22/108
 D702,800 S * 4/2014 Speroni D22/108
 D728,729 S * 5/2015 Geissele D22/109
 9,046,320 B2 * 6/2015 Keng F41G 11/003
 D741,442 S * 10/2015 Wilson D22/108
 D781,985 S * 3/2017 McKillips D22/108
 D791,581 S * 7/2017 Lin D8/356
 D833,566 S * 11/2018 McKillips D22/110
 D834,134 S * 11/2018 McKillips D22/110
 D837,333 S * 1/2019 McKillips D22/110
 D865,488 S * 11/2019 Jin D8/354
 D880,644 S * 4/2020 Chin D22/109
 D883,776 S * 5/2020 Pejic D8/381

(**) Term: **15 Years**

* cited by examiner

(21) Appl. No.: **29/689,033**

Primary Examiner — Khawaja Anwar
Assistant Examiner — Mojtaba Tehrani

(22) Filed: **Apr. 26, 2019**

(74) *Attorney, Agent, or Firm* — Walter M. Egbert, III;
Gerard M. Donovan; Reed Smith LLP

(51) **LOC (12) Cl.** **22-01**

(52) **U.S. Cl.**
USPC **D22/110**

(58) **Field of Classification Search**
USPC D22/100, 101, 103, 104, 108, 109, 110,
D22/111, 115, 116, 199; D21/567, 573,
D21/574; D10/70, 74; D8/381
CPC ... F41G 1/30; F41G 1/42; F41G 11/00; F41G
11/001; F41C 7/00; F41C 3/005; F41C
23/04; F41C 23/10
See application file for complete search history.

(57) **CLAIM**

The ornamental design for a laser rangefinder tripod mount as shown and described.

DESCRIPTION

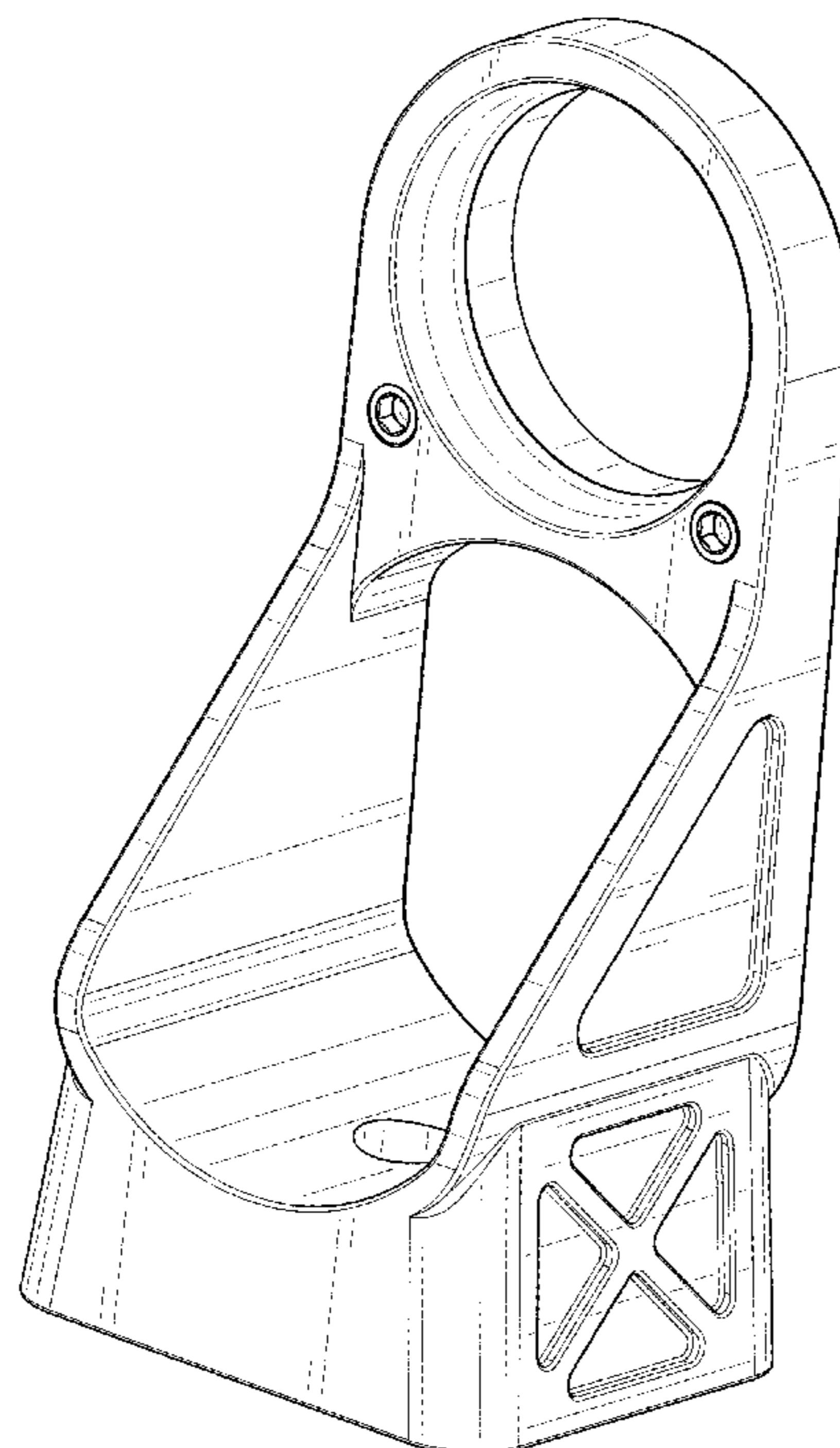
FIG. 1 is a perspective view of a laser rangefinder tripod mount;
FIG. 2 is a front view thereof;
FIG. 3 is a rear view thereof;
FIG. 4 is a left side view thereof;
FIG. 5 is a right side view thereof;
FIG. 6 is a top view thereof; and,
FIG. 7 is a bottom view thereof.
The broken lines are for environmental purposes only and form no part of the claimed design.

(56) **References Cited**

U.S. PATENT DOCUMENTS

4,418,487 A * 12/1983 Strahan F41G 11/001
42/125
 D423,917 S * 5/2000 Remmers D8/380
 D510,531 S * 10/2005 Dipasquale D10/70
 D510,699 S * 10/2005 Crain D10/74
 D512,925 S * 12/2005 Dipasquale D10/70

1 Claim, 7 Drawing Sheets



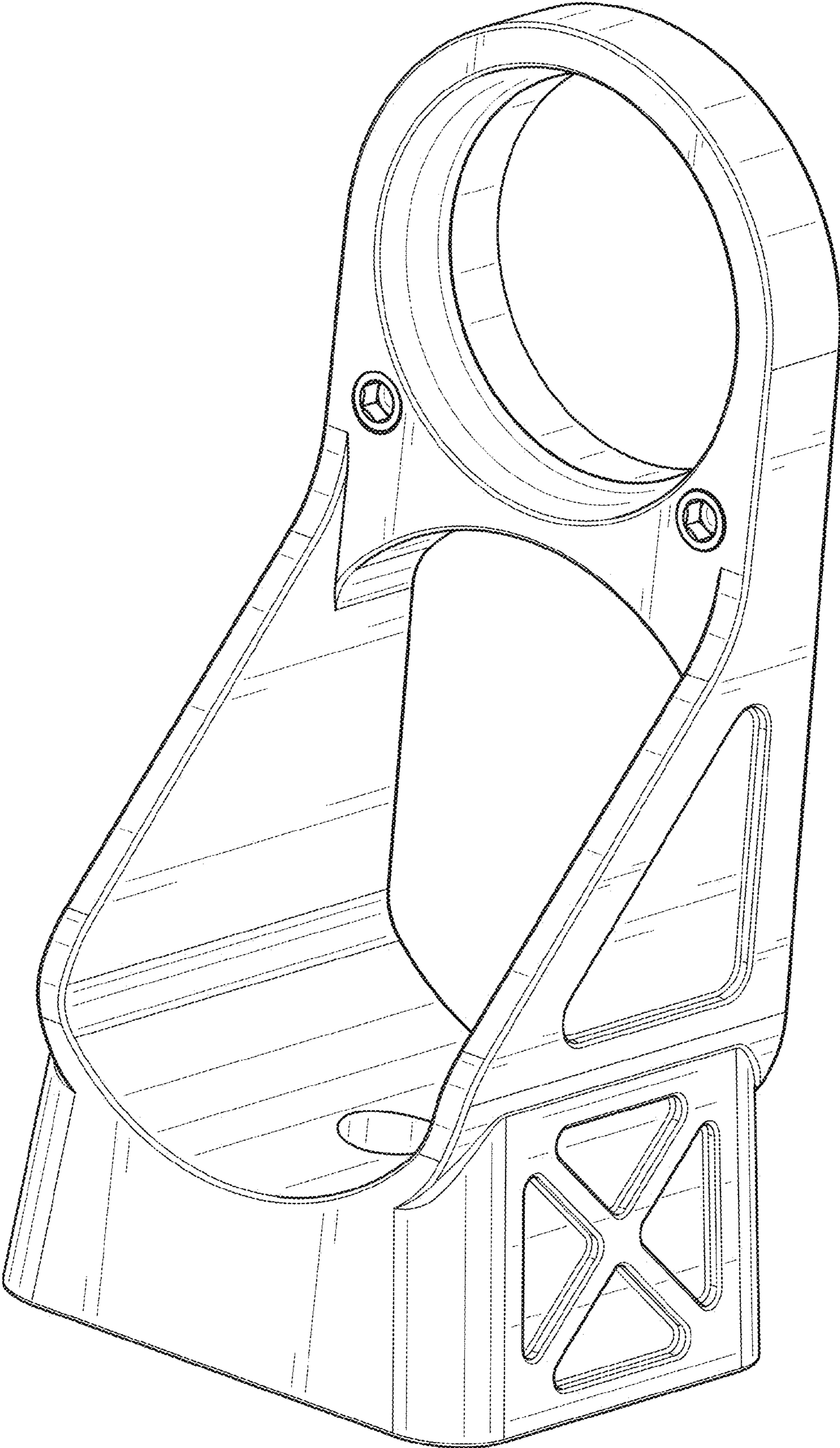


FIG. 1

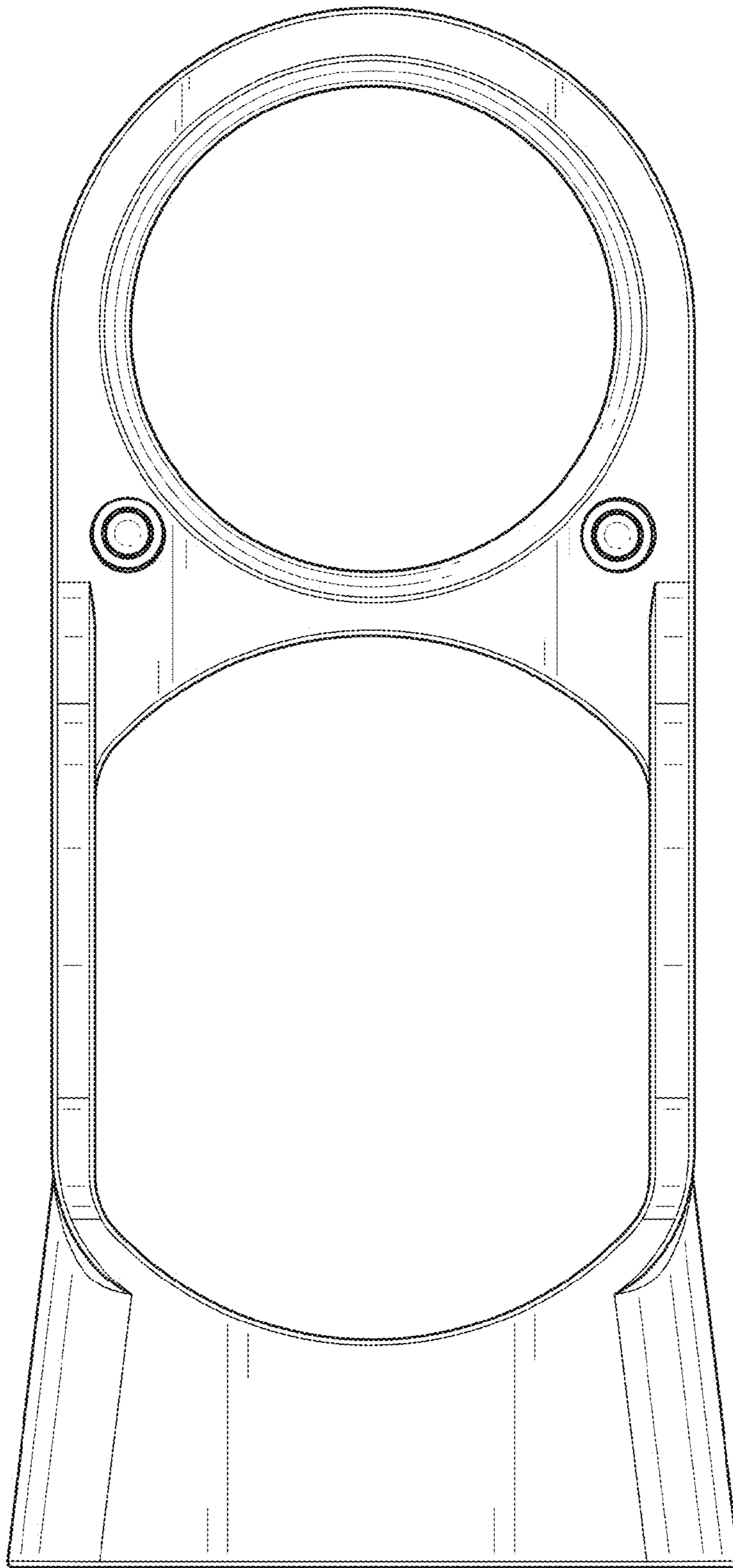


FIG. 2

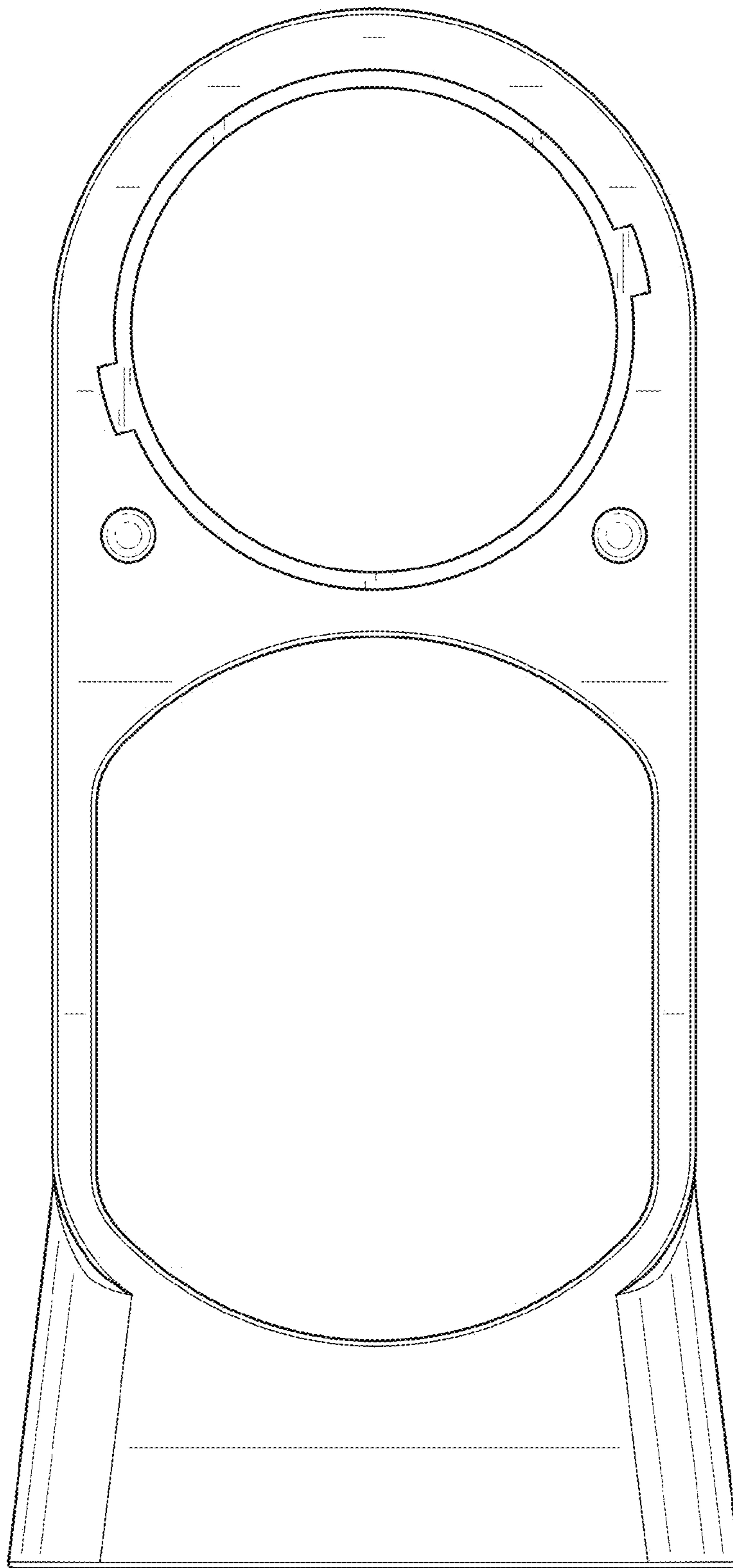


FIG. 3

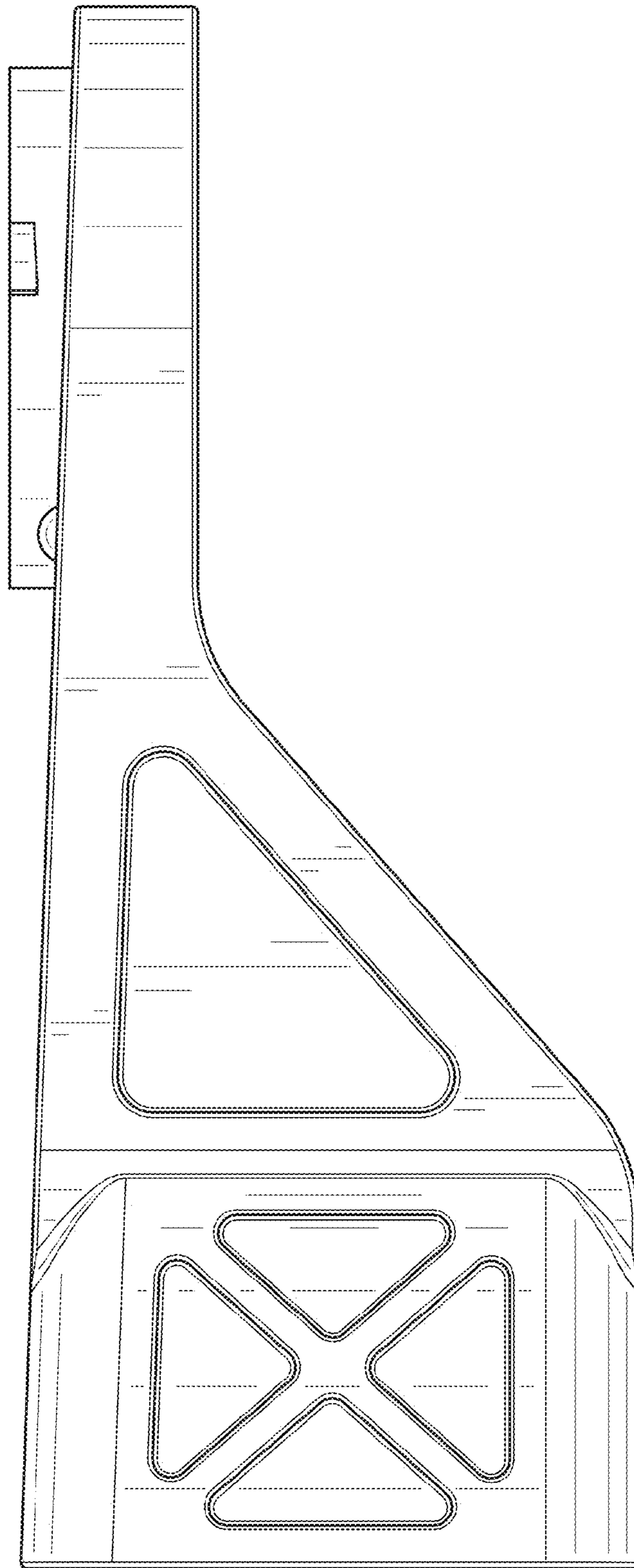


FIG. 4

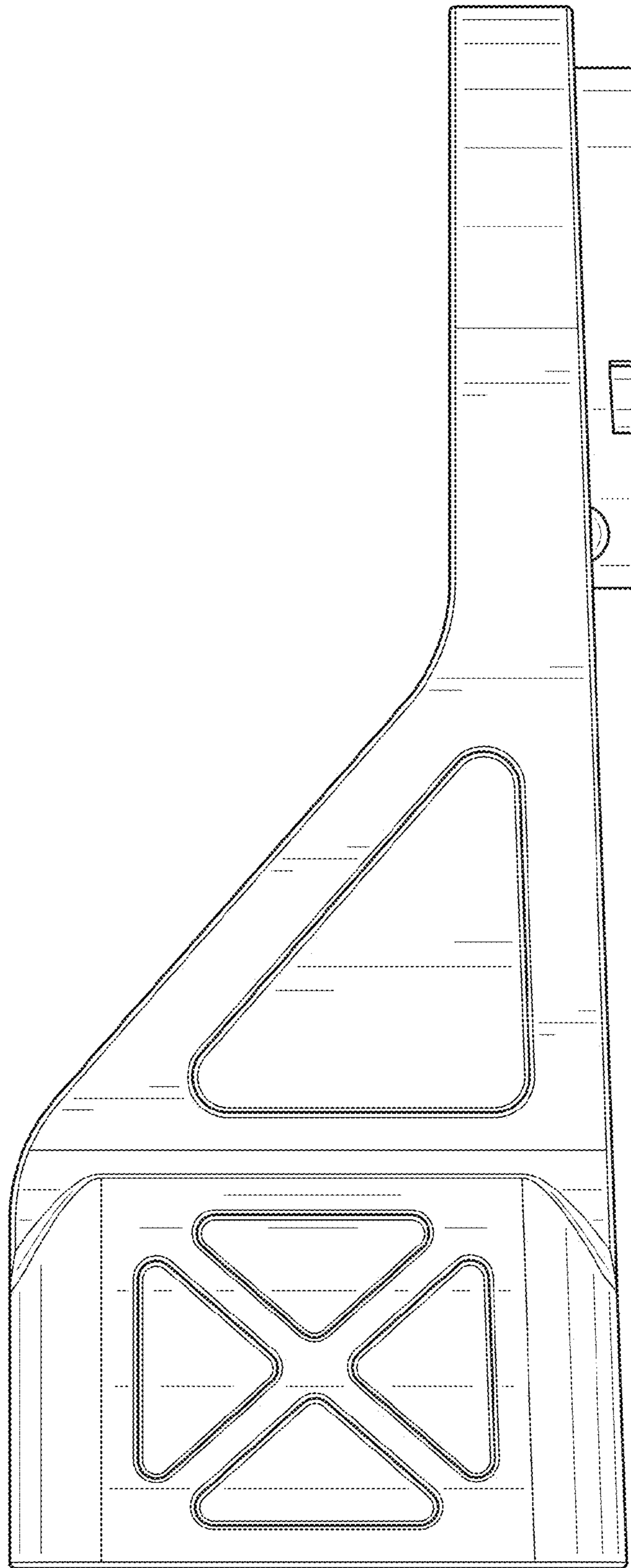


FIG. 5

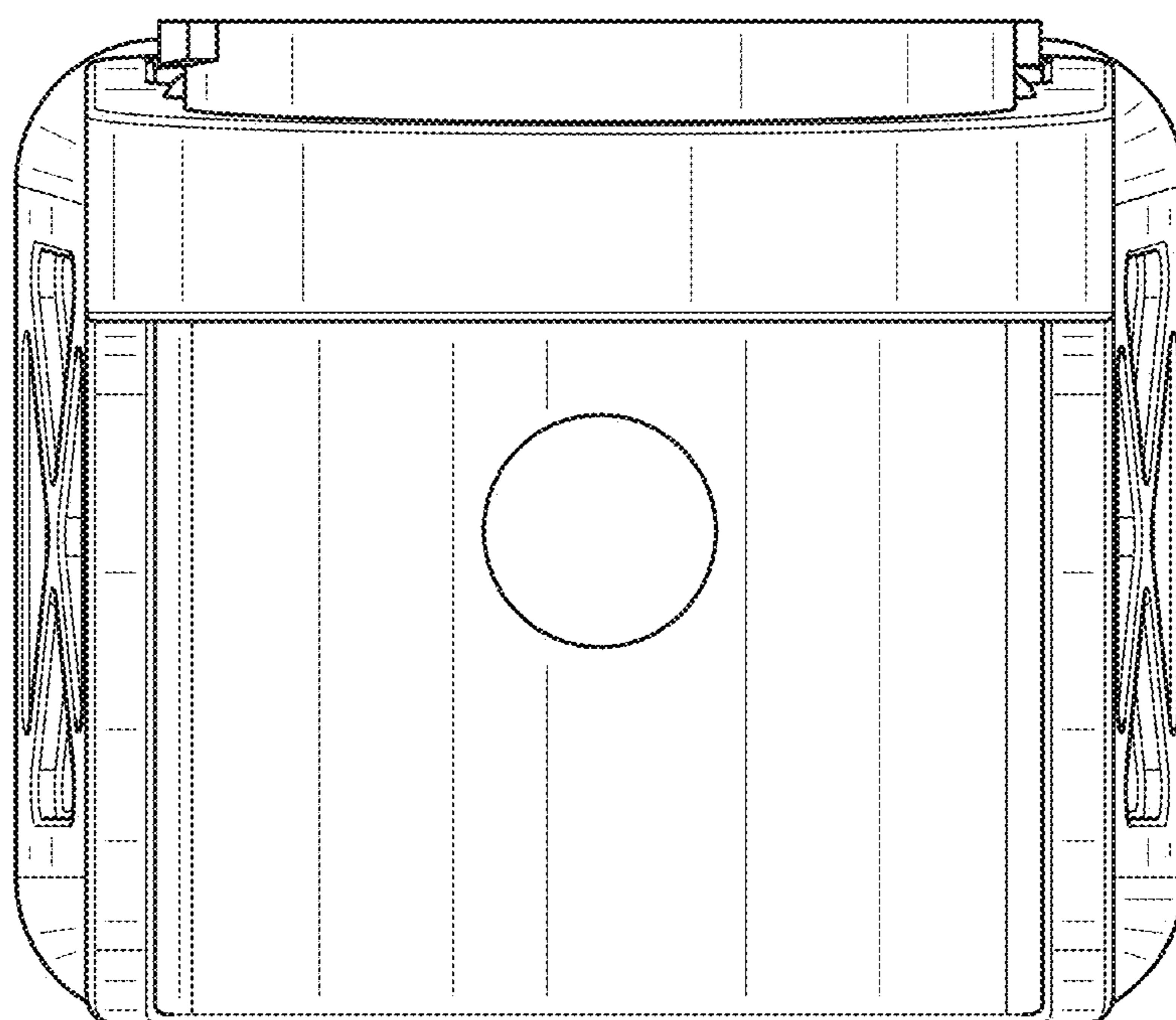


FIG. 6

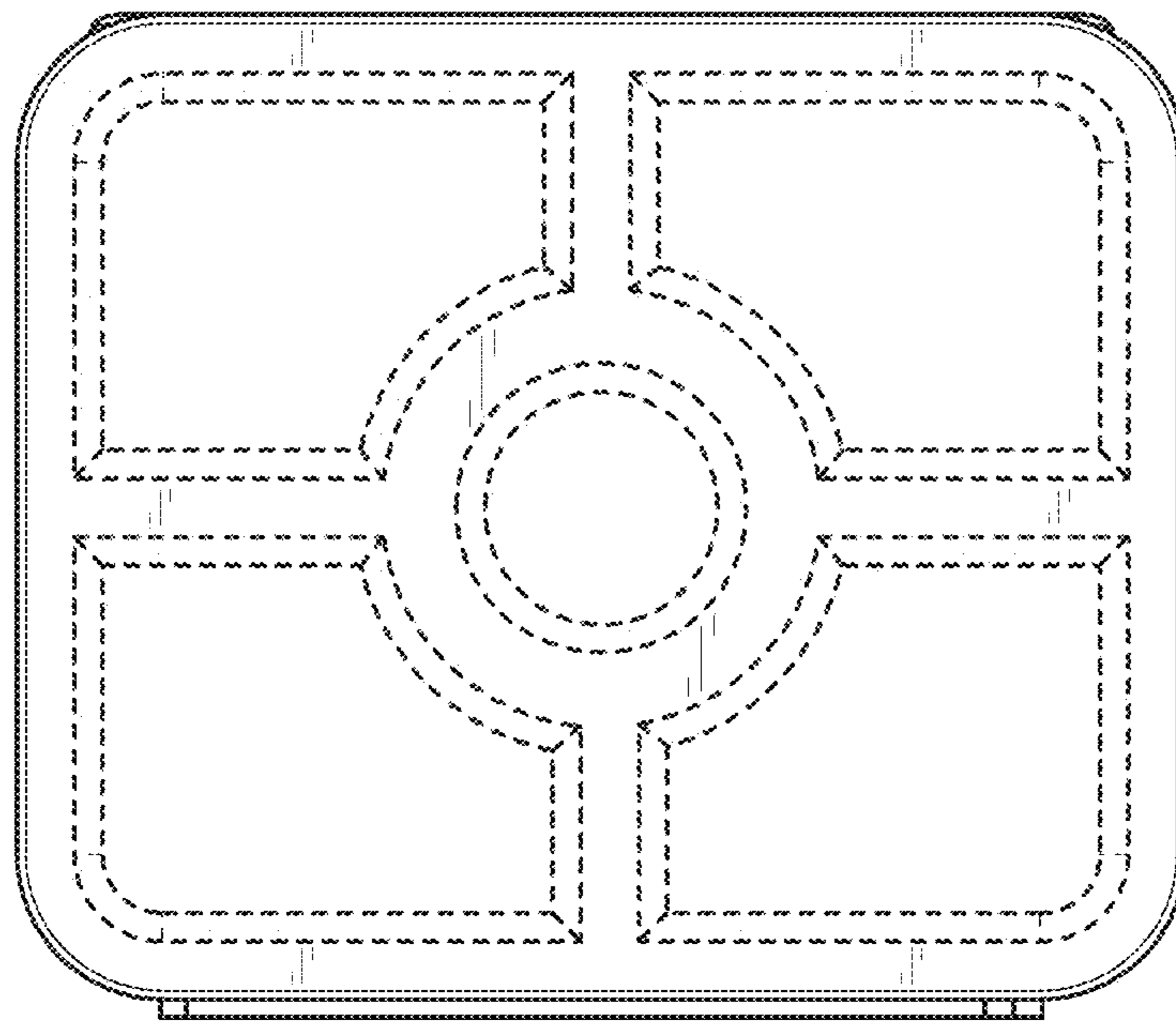


FIG. 7