



US00D906467S

(12) **United States Design Patent**
McCoy, II et al.

(10) **Patent No.:** **US D906,467 S**

(45) **Date of Patent:** **** Dec. 29, 2020**

(54) **LEVEL INDICATOR FOR TELESCOPIC SIGHTS**

(74) *Attorney, Agent, or Firm* — Eric B. Fugett; Mark A. Pitchford; Pitchford Fugett, PLLC

(71) Applicants: **Charles A. McCoy, II**, New Meadows, ID (US); **Brent R. McCoy**, Bellingham, WA (US)

(57) **CLAIM**

What is claimed is the ornamental design for a level indicator for telescopic sights, as shown and described.

(72) Inventors: **Charles A. McCoy, II**, New Meadows, ID (US); **Brent R. McCoy**, Bellingham, WA (US)

DESCRIPTION

(**) Term: **15 Years**

FIG. 1 is an elevated front perspective view of a level indicator for telescopic sights showing our new design in a closed position.

(21) Appl. No.: **29/738,579**

FIG. 2 is a depressed rear perspective view of the level indicator of FIG. 1.

(22) Filed: **Jun. 18, 2020**

FIG. 3 is a front elevational view of the level indicator of FIG. 1, the back being a being a mirror image thereof.

(51) **LOC (12) Cl.** **22-01**

(52) **U.S. Cl.**

USPC **D22/109**

FIG. 4 is a right side elevational view of the level indicator of FIG. 1.

(58) **Field of Classification Search**

USPC D22/108–109

CPC F41G 1/44

See application file for complete search history.

FIG. 5 is a left side elevational view of the level indicator of FIG. 1.

FIG. 6 is a top plan view of the level indicator of FIG. 1.

FIG. 7 is a bottom plan view of the level indicator of FIG. 1.

(56) **References Cited**

U.S. PATENT DOCUMENTS

2014/0366424	A1*	12/2014	McCoy, II	F41G 1/44
					42/111
2015/0168096	A1*	6/2015	Miller	F41G 1/44
					42/71.01
2016/0025453	A1*	1/2016	Ratliff	F41G 1/345
					42/131
2020/0191524	A1*	6/2020	McCoy, II	F41G 1/44

FIG. 8 is another elevated front perspective view of the level indicator of FIG. 1 showing the level indicator in an open position; and,

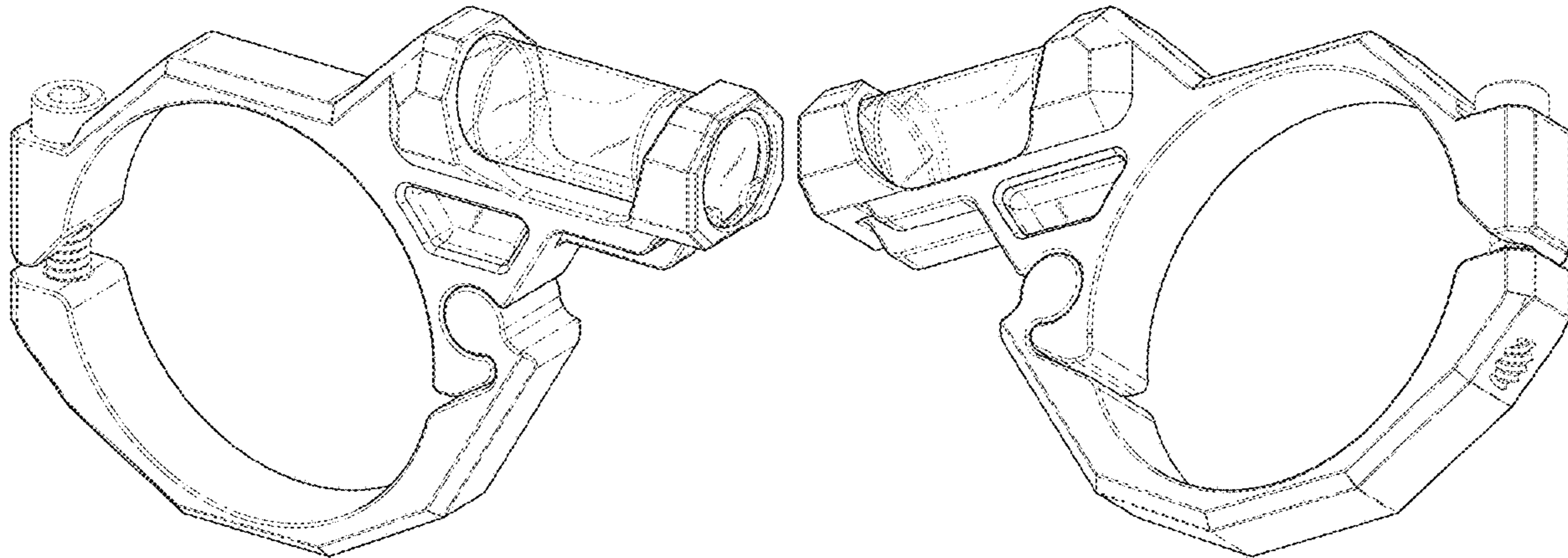
FIG. 9 is another elevated front perspective view of the level indicator of FIG. 1 shown in a position of use on a telescopic sight.

The broken dash lines in the form of a telescopic sight in FIG. 9 depict environmental subject matter and form no part of the claimed design. All the other broken dash lines in the figures depict portions of the level indicator for telescopic sights that form no part of the claimed design.

* cited by examiner

Primary Examiner — Michael A. Pratt

1 Claim, 7 Drawing Sheets



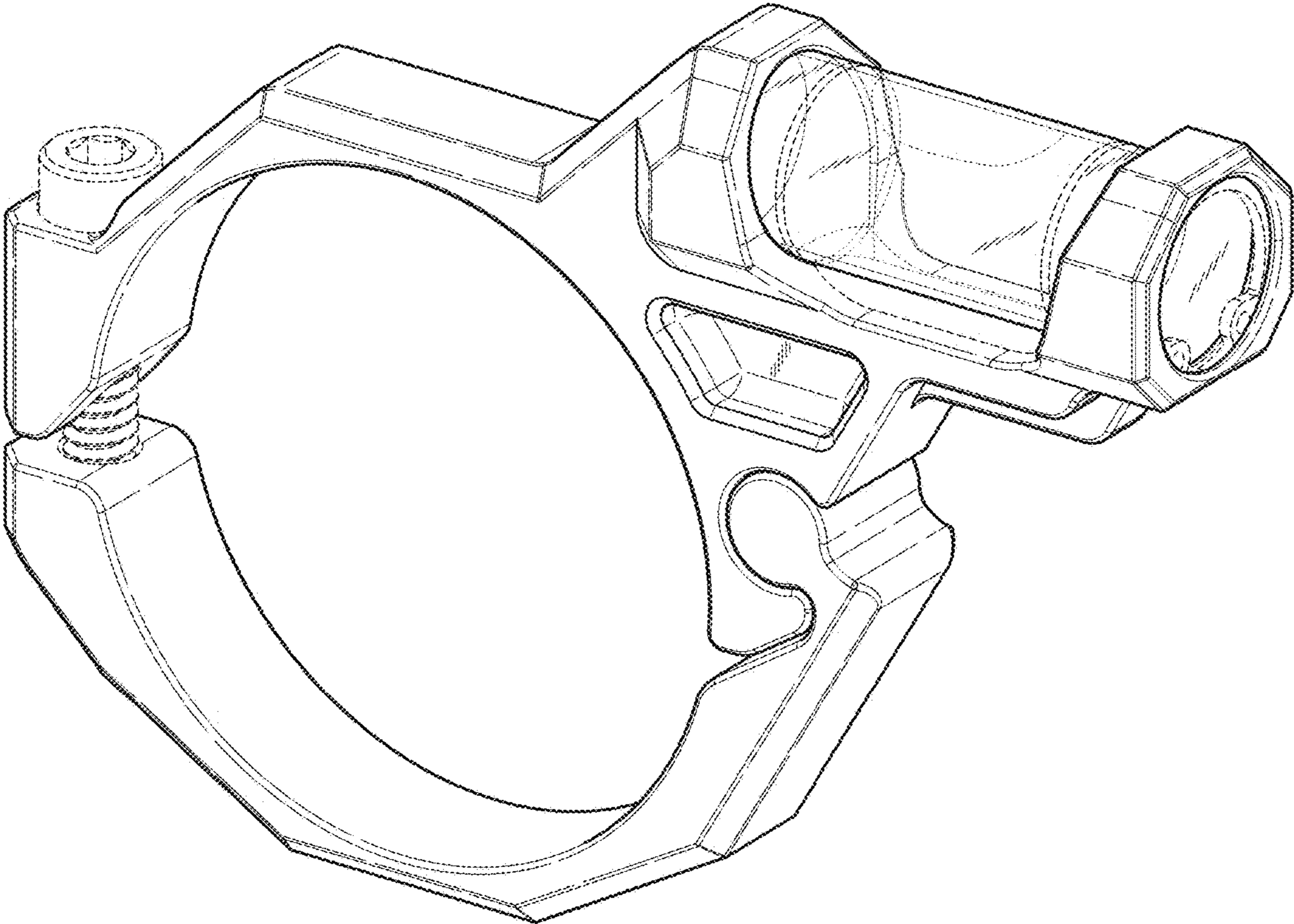


FIG. 1

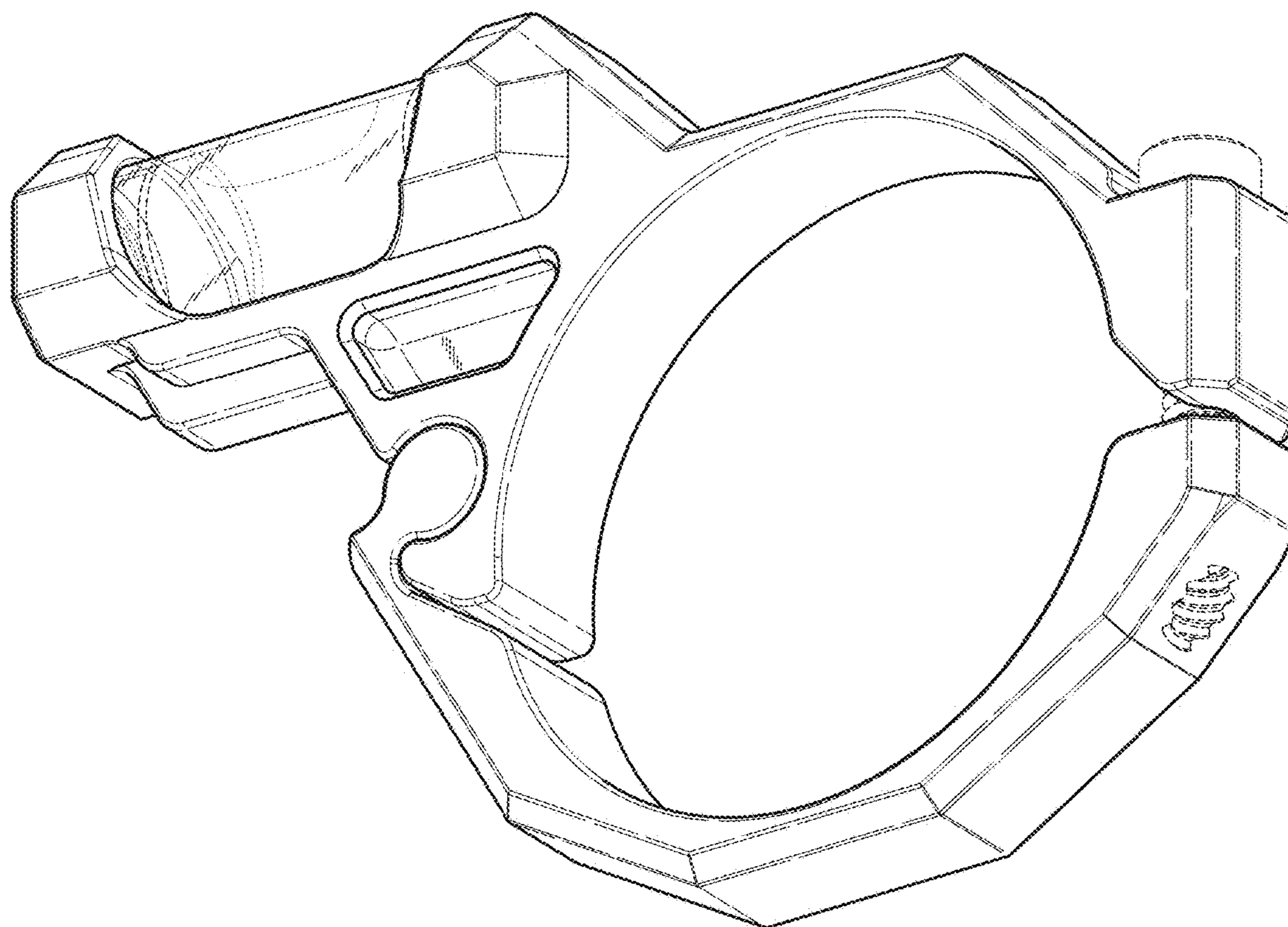


FIG. 2

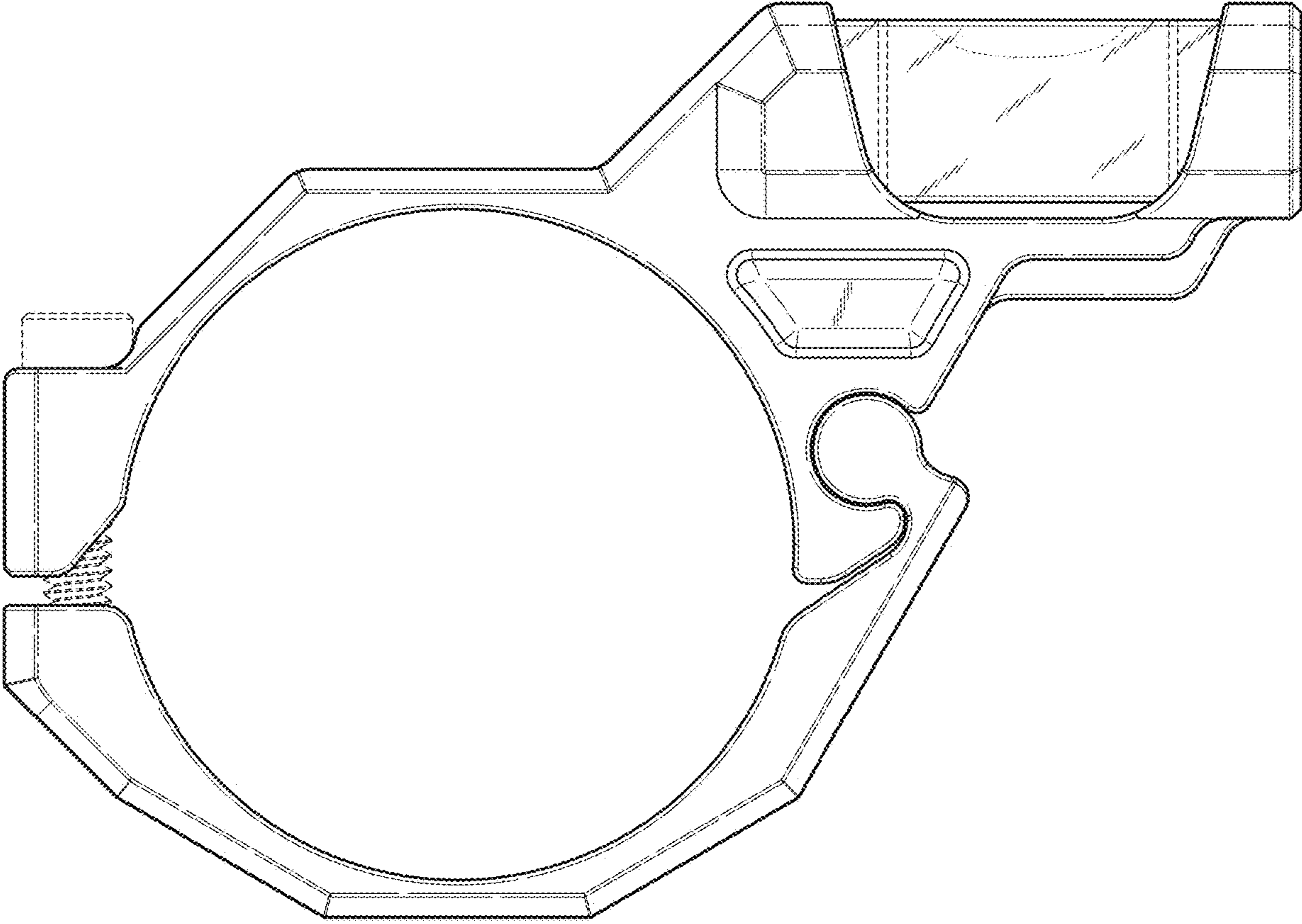


FIG. 3

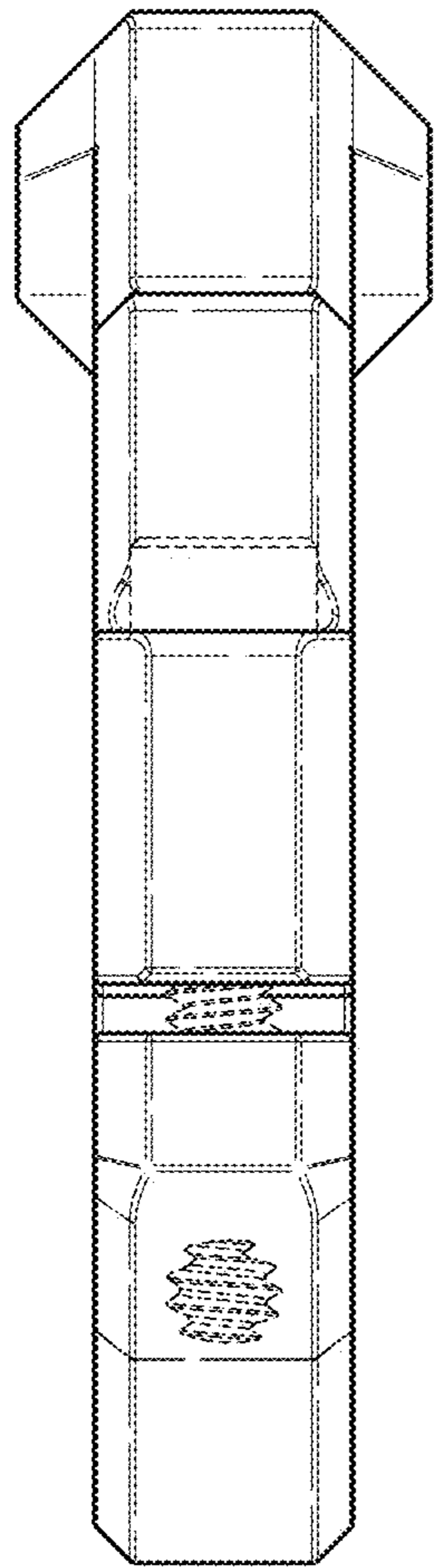


FIG. 4

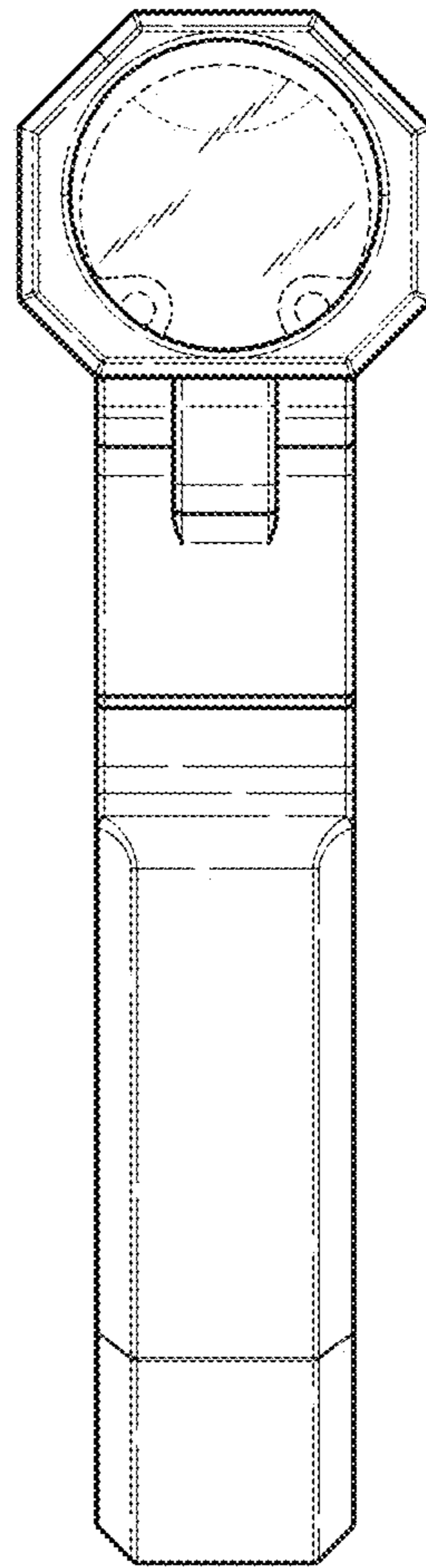


FIG. 5

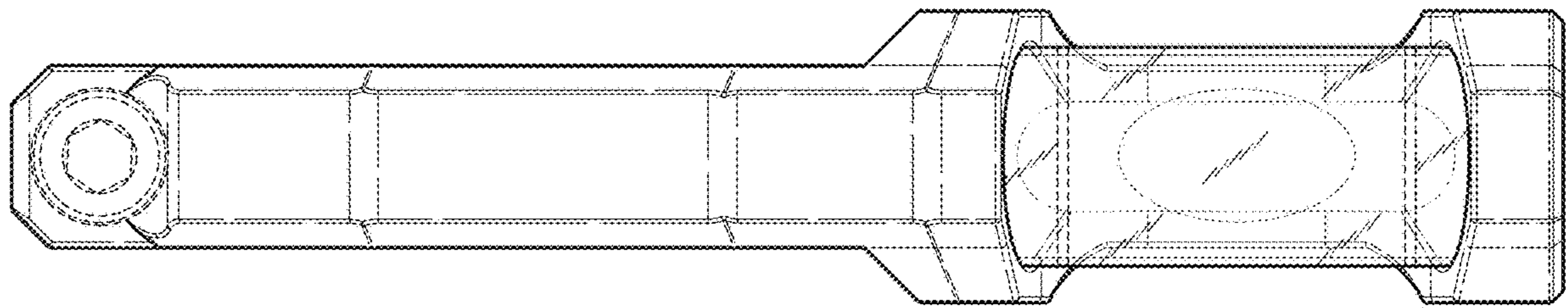


FIG. 6

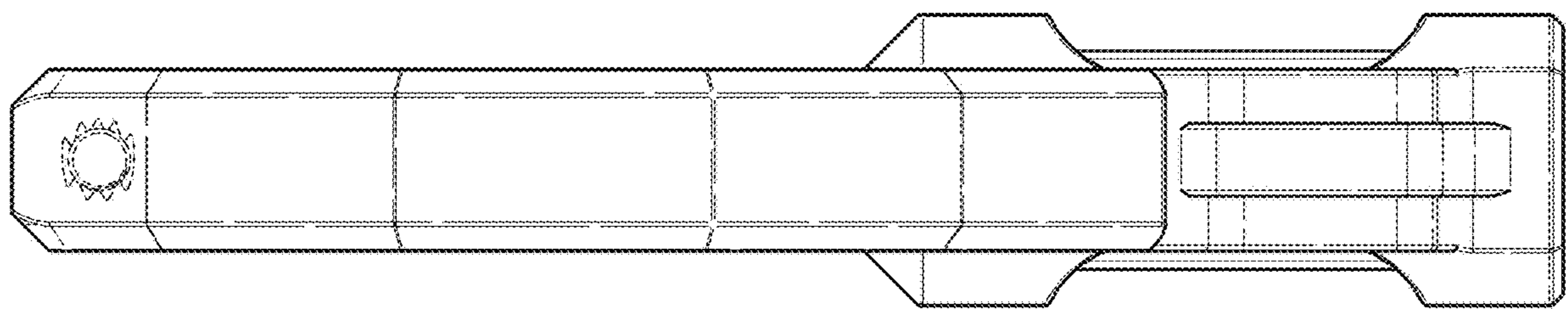


FIG. 7

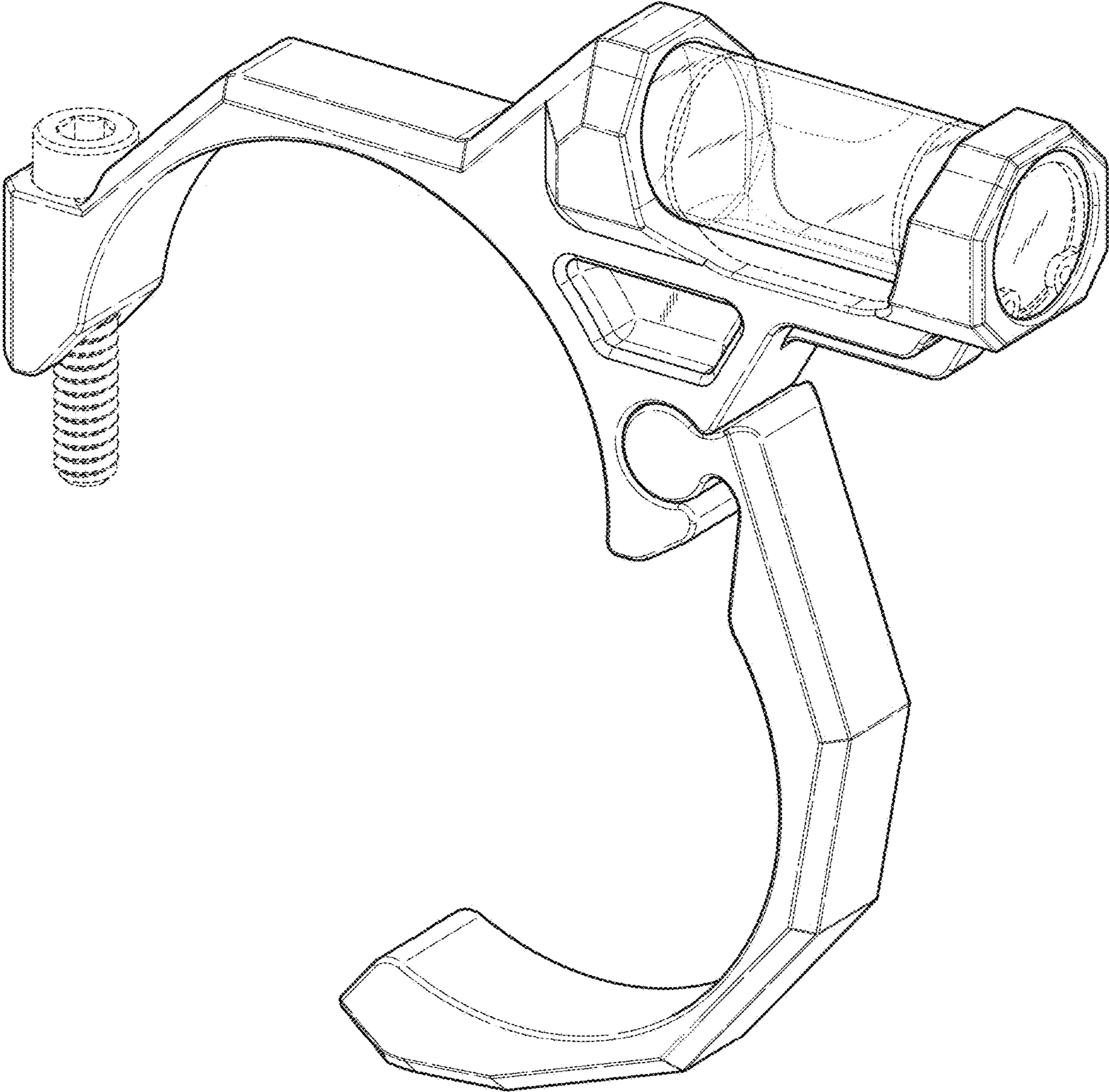


FIG. 8

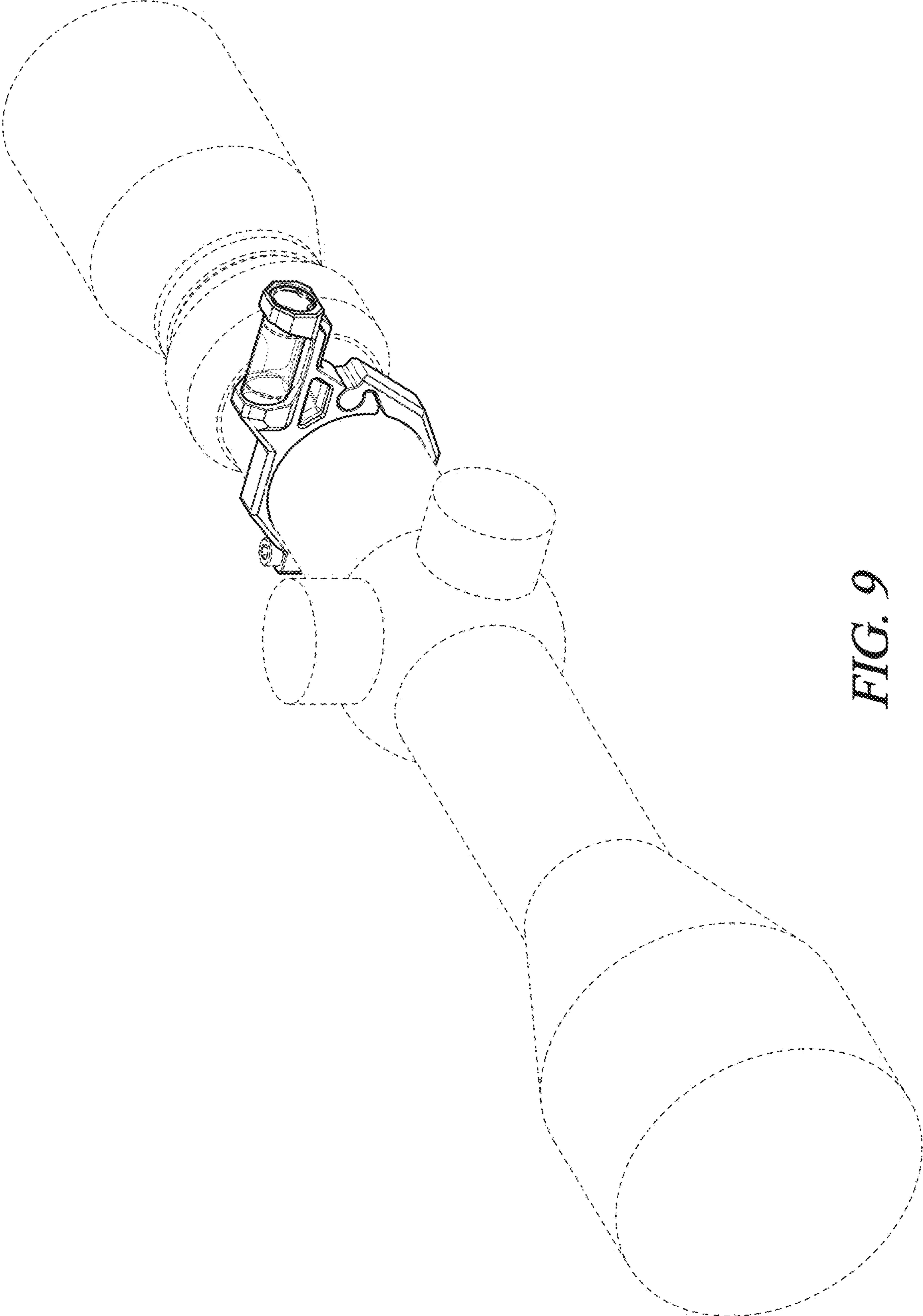


FIG. 9