



US00D906466S

(12) **United States Design Patent** (10) **Patent No.:** **US D906,466 S**
Acarreta et al. (45) **Date of Patent:** **** Dec. 29, 2020**

(54) **PART OF A WEAPON**

(71) Applicant: **RADE TECNOLOGÍAS, S.L.**,
Saragossa (ES)

(72) Inventors: **Raúl Delgado Acarreta**, Saragossa
(ES); **Diego Lorente Algora**, Saragossa
(ES)

(73) Assignee: **RADE TECNOLOGÍAS, S.L.**,
Saragossa (ES)

(**) Term: **15 Years**

(21) Appl. No.: **29/698,654**

(22) Filed: **Jul. 18, 2019**

(30) **Foreign Application Priority Data**

Jan. 21, 2019 (EM) 006080537-0001

(51) **LOC (12) Cl.** **22-01**

(52) **U.S. Cl.**
USPC **D22/109**

(58) **Field of Classification Search**
USPC D22/108–109; D21/572–573
CPC F41C 23/14
See application file for complete search history.

(56) **References Cited**

U.S. PATENT DOCUMENTS

D700,674 S * 3/2014 Prieto D22/109
D729,339 S * 5/2015 Chavez D22/109
D756,763 S * 5/2016 Swan D8/394
D765,212 S * 8/2016 Cheng D22/109

* cited by examiner

Primary Examiner — Michael A. Pratt

(74) *Attorney, Agent, or Firm* — Cantor Colburn LLP

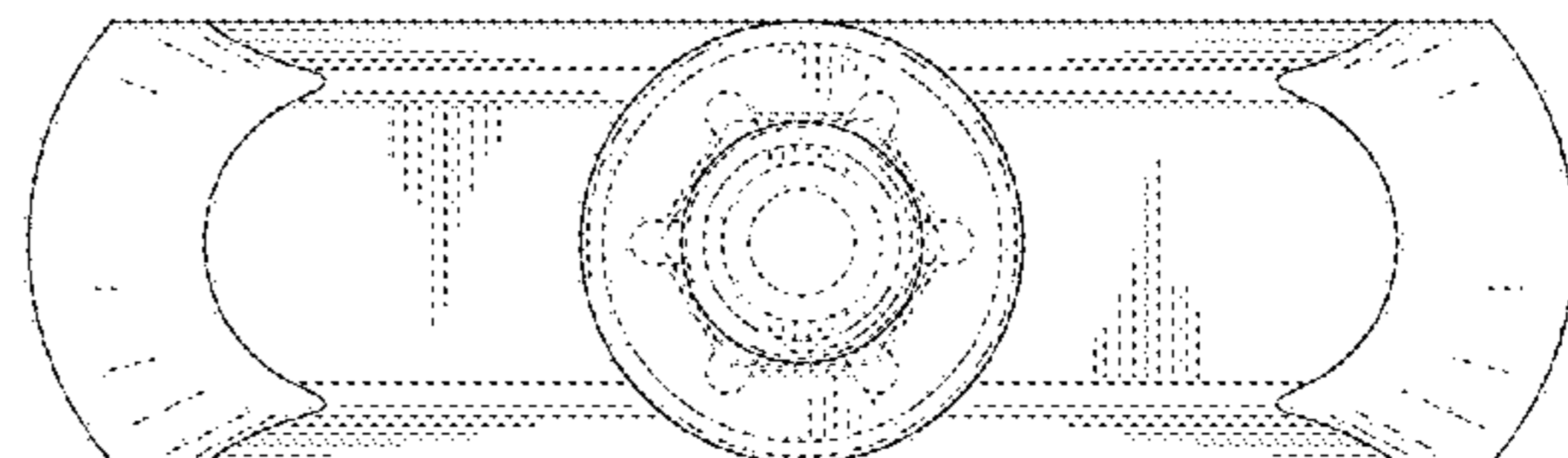
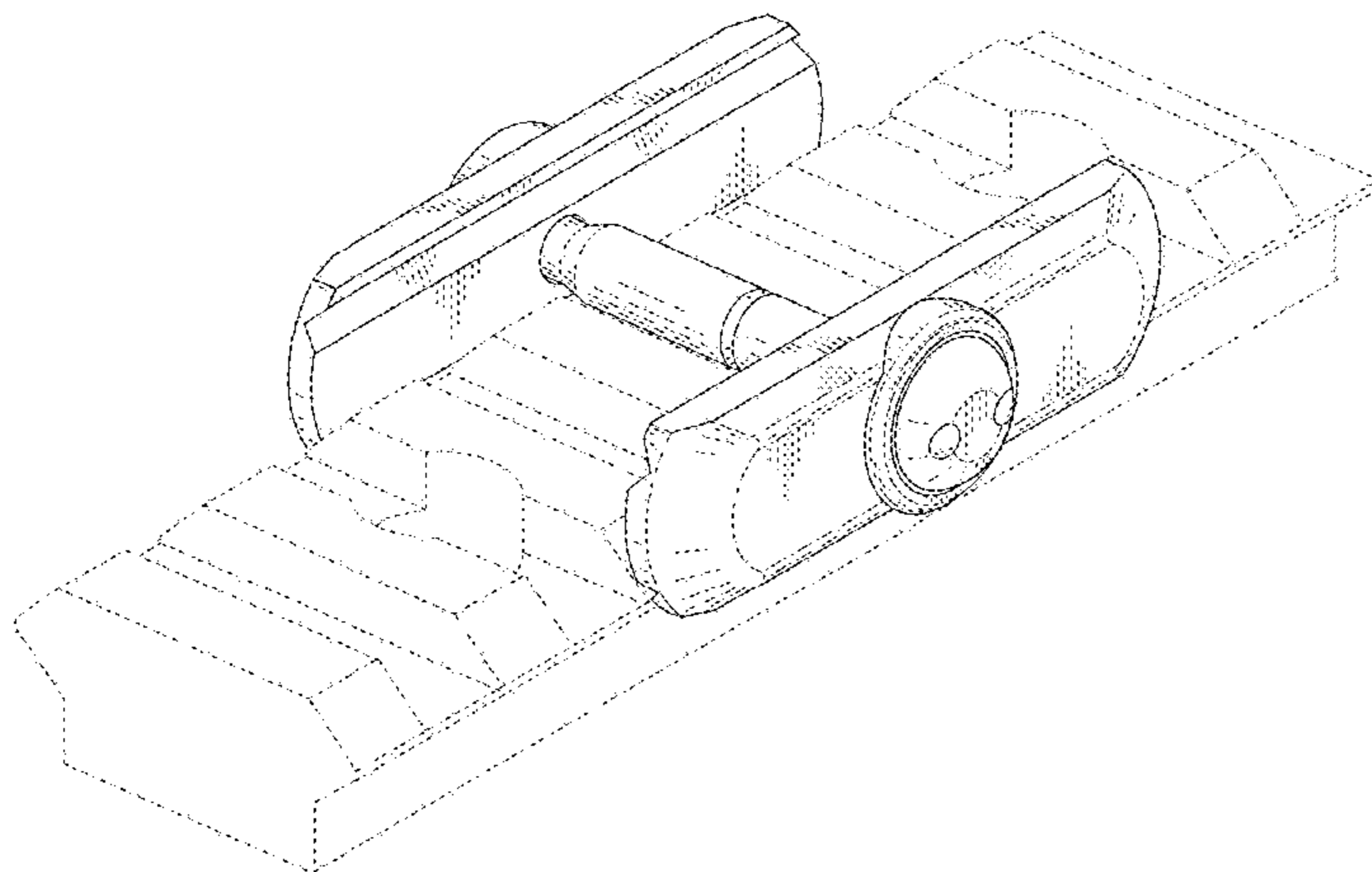
(57) **CLAIM**

The ornamental design for a part of a weapon, as shown and described.

DESCRIPTION

FIG. 1 is a perspective view of a part of a weapon, showing our new design;
FIG. 2 is a front elevation view thereof;
FIG. 3 is a rear elevation view thereof;
FIG. 4 is a top plan view thereof;
FIG. 5 is a bottom plan view thereof;
FIG. 6 is a side elevation view thereof; and,
FIG. 7 is an opposite side elevation view thereof.
Where portions shown in broken lines form no part of the claimed design.

1 Claim, 5 Drawing Sheets



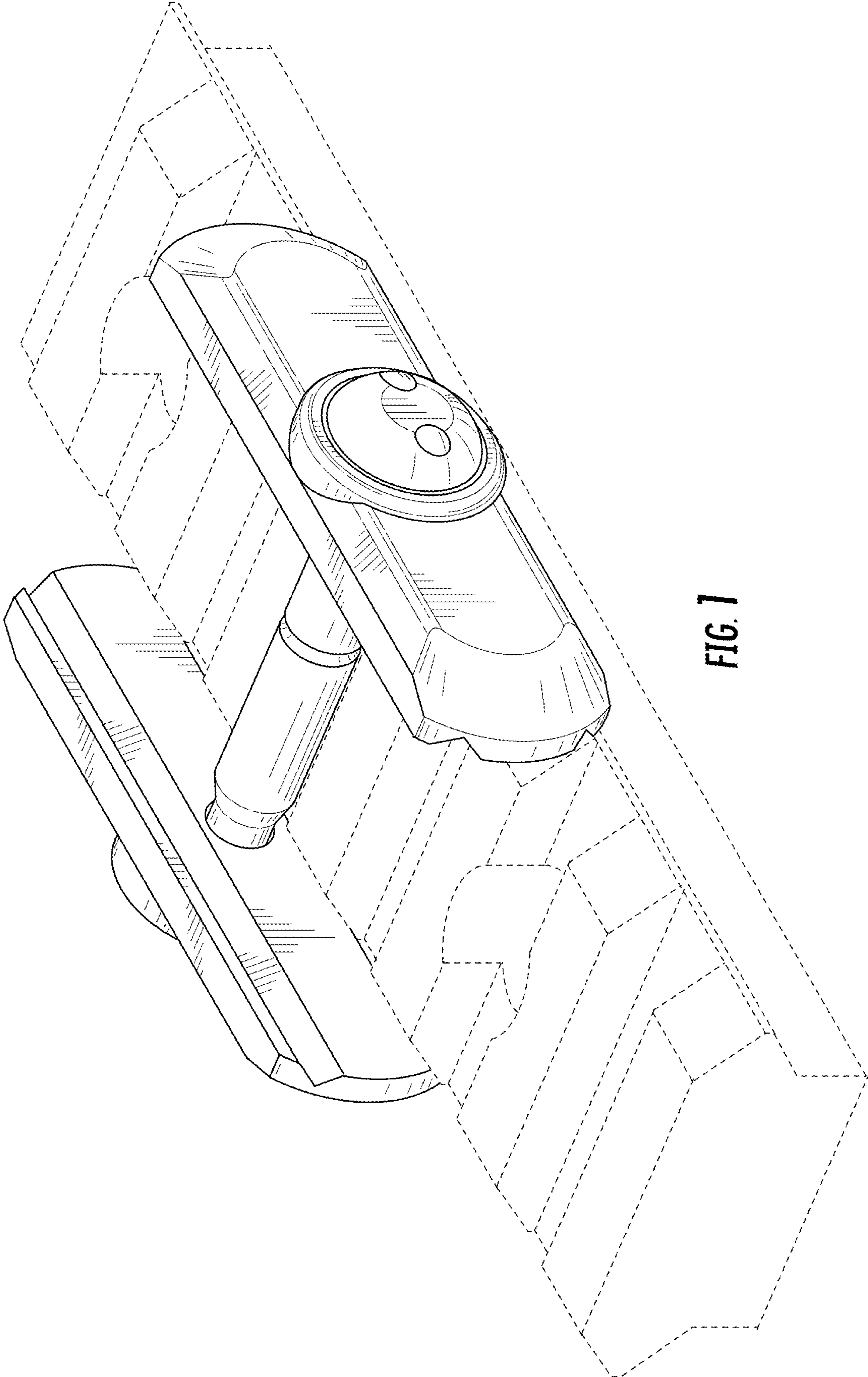


FIG. 1

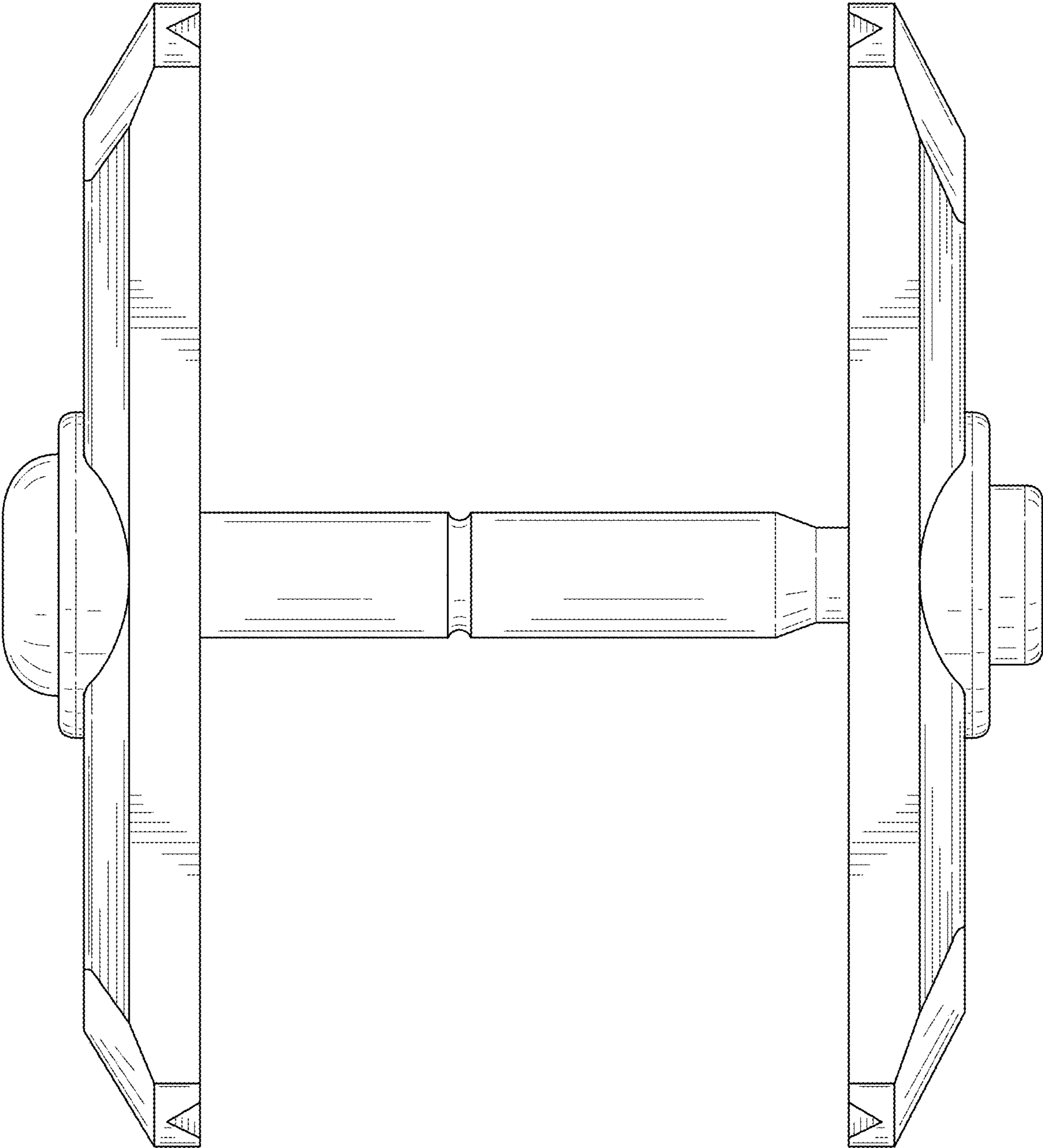


FIG. 2

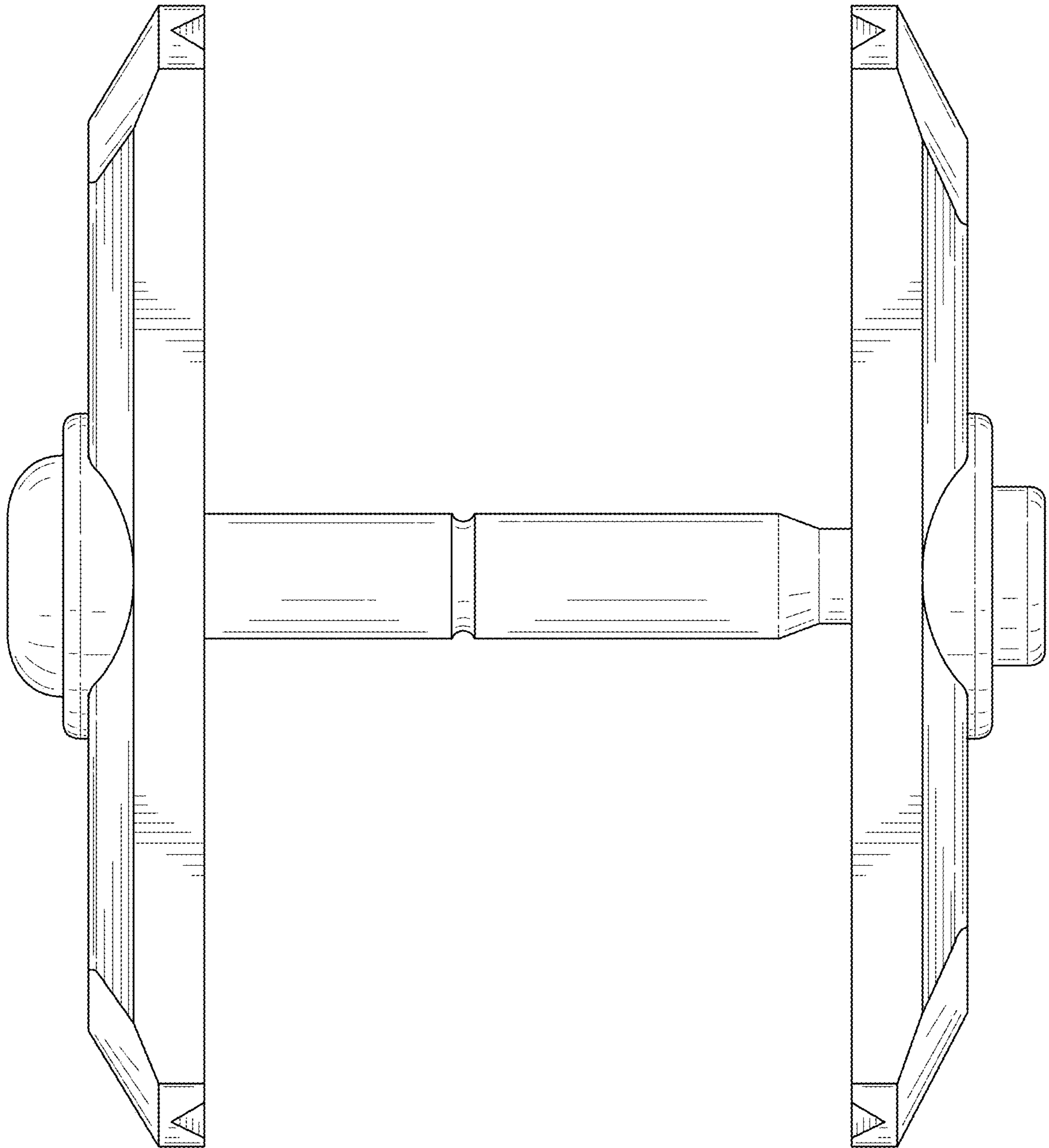


FIG. 3

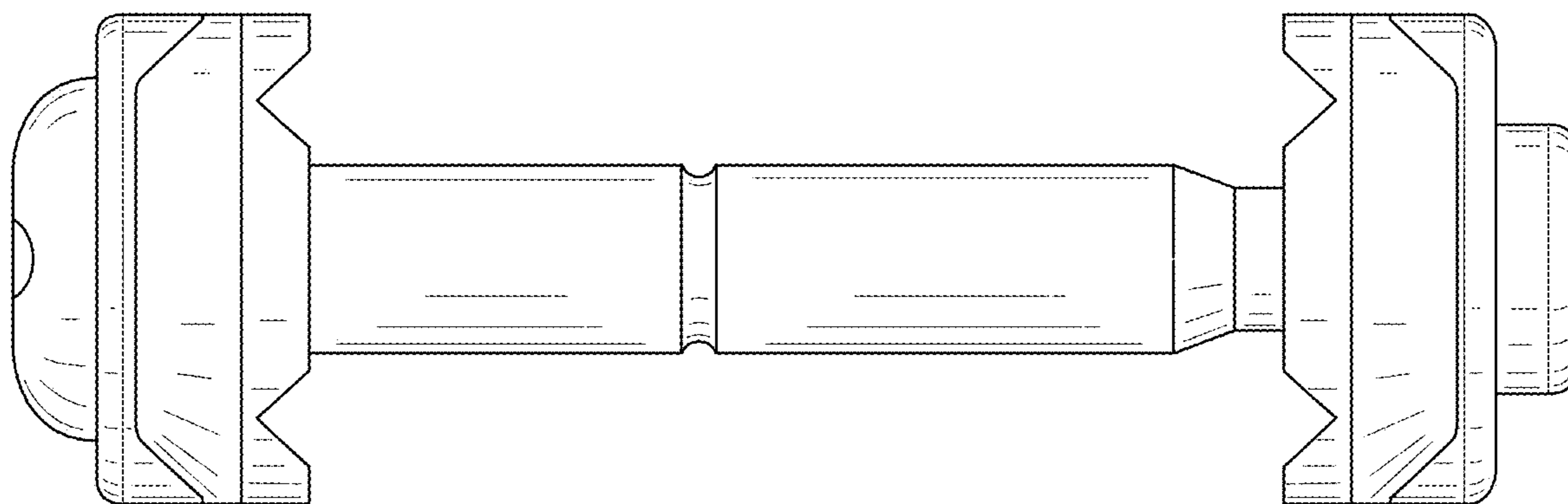


FIG. 4

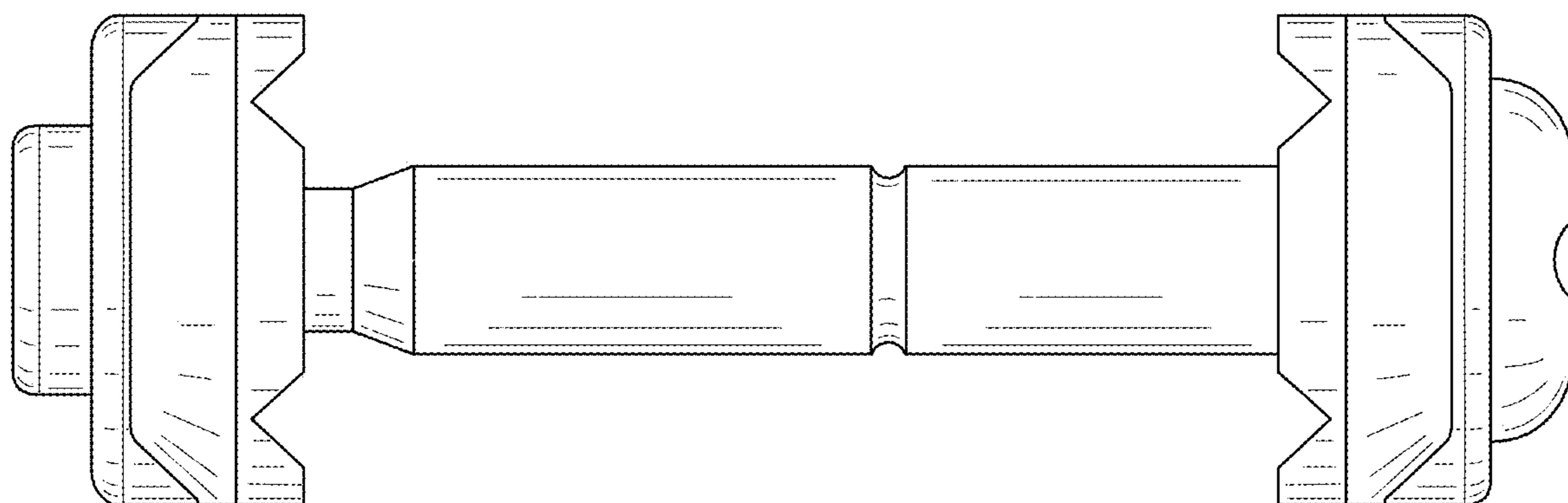


FIG. 5

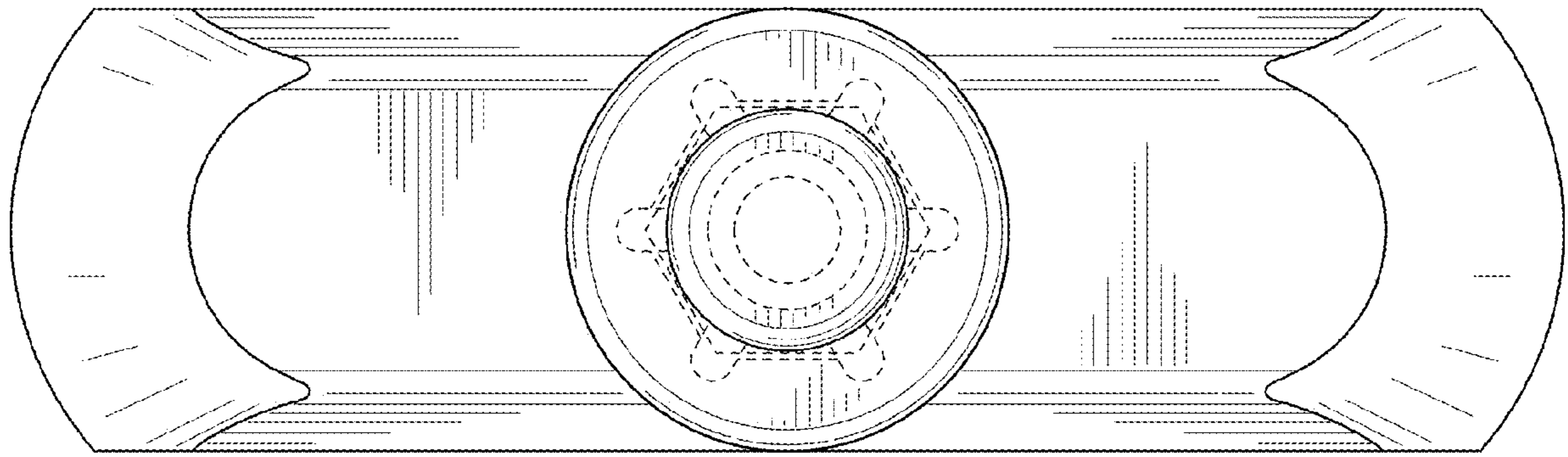


FIG. 6

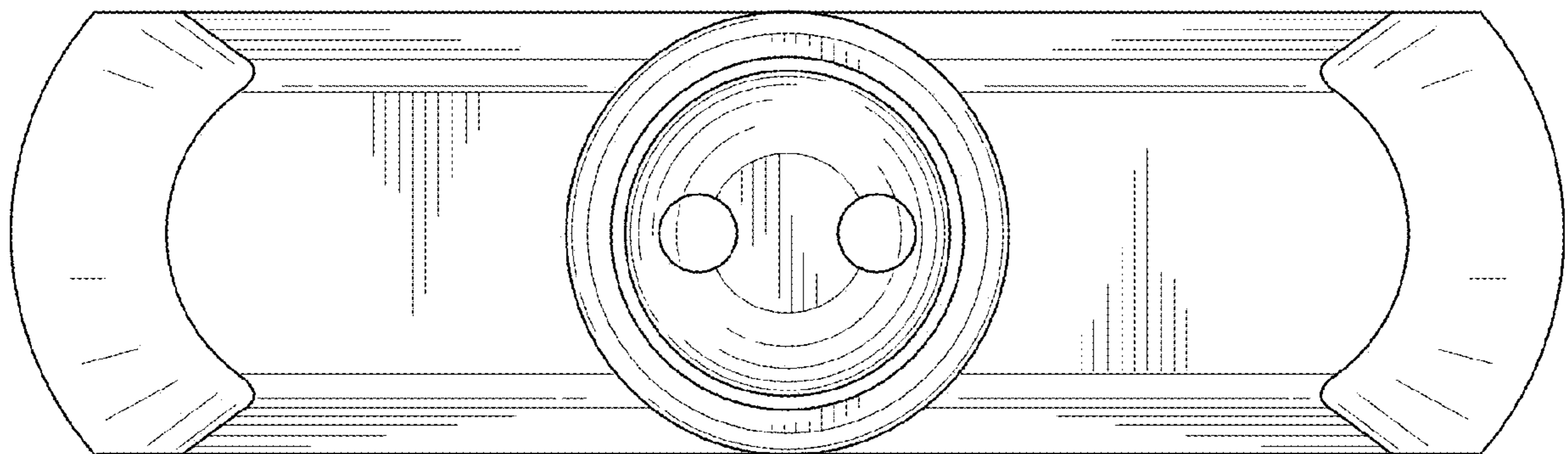


FIG. 7