



US00D906465S

(12) **United States Design Patent** (10) **Patent No.:** **US D906,465 S**  
**Horton et al.** (45) **Date of Patent:** **\*\* Dec. 29, 2020**

- (54) **FIREARM SIGHT**
- (71) Applicant: **Sellmark Corporation**, Mansfield, TX (US)
- (72) Inventors: **Jonathan Horton**, Arlington, TX (US); **Andrew Pischke**, Mansfield, TX (US)
- (73) Assignee: **Sellmark Corporation**, Mansfield, TX (US)
- (\*\*) Term: **15 Years**
- (21) Appl. No.: **29/639,195**
- (22) Filed: **Mar. 5, 2018**
- (51) **LOC (12) Cl.** ..... **22-01**
- (52) **U.S. Cl.**  
USPC ..... **D22/109**
- (58) **Field of Classification Search**  
USPC ..... D22/108, 109, 110; D15/139; D8/381  
CPC ..... F41A 19/11; F41A 17/54; F41A 33/00;  
F41G 1/26; F41G 1/16; F41G 1/30  
See application file for complete search history.

D848,567 S *	5/2019	Soejima	.....	D22/109
D849,180 S *	5/2019	Cheng	.....	D22/109
2014/0096431 A1 *	4/2014	Tang	.....	F41G 1/30 42/132
2015/0267997 A1 *	9/2015	Collin	.....	G03H 1/0005 359/1
2016/0327366 A1 *	11/2016	Campean	.....	F41G 1/18
2018/0292168 A1 *	10/2018	Borrigo	.....	F41G 1/30

**OTHER PUBLICATIONS**

Amazon.com, Sightmark SM26034 Ultra Shot M-Spec Reflex Sight, Lqd, Earliest comment date Dec. 20, 2018, [site visited Jun. 19, 2019]. Available on the Internet URL [https://www.amazon.com/Sightmark-SM26034-Ultra-M-Spec-Reflex/dp/B078GFQ9JR/ref=cm\\_cr\\_arp\\_d\\_product\\_top?ie=UTF8](https://www.amazon.com/Sightmark-SM26034-Ultra-M-Spec-Reflex/dp/B078GFQ9JR/ref=cm_cr_arp_d_product_top?ie=UTF8) (Year: 2018).\*

\* cited by examiner

*Primary Examiner* — Karen S Acker  
*Assistant Examiner* — Steven B Reinholdt, Jr.  
(74) *Attorney, Agent, or Firm* — Mark D. Perdue

(57) **CLAIM**

The ornamental design for a firearm sight, as shown and described.

**DESCRIPTION**

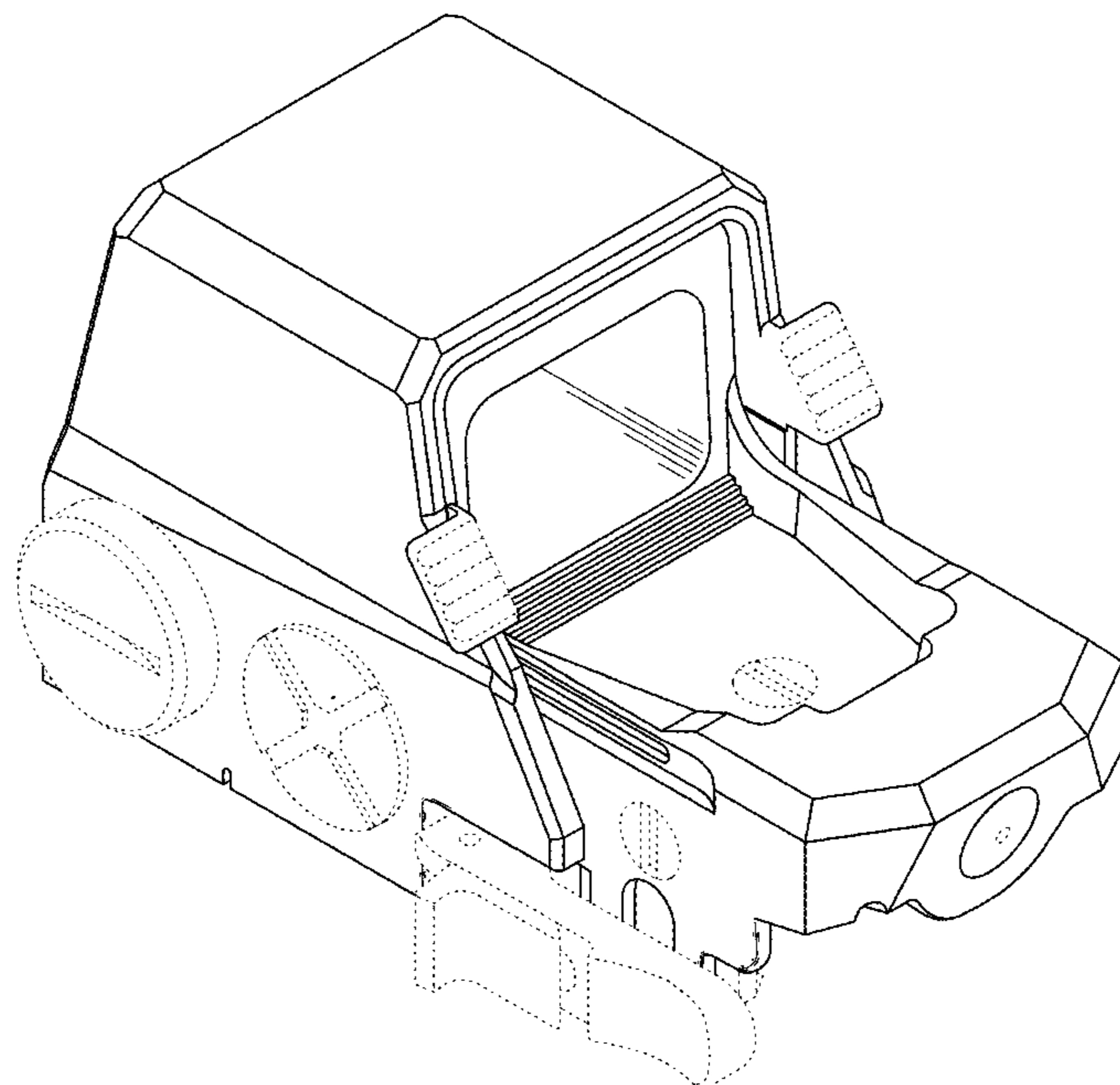
FIG. 1 is an isometric view of a firearm sight. FIG. 2 is a front view of the firearm sight of FIG. 1. FIG. 3 is a rear view of the firearm sight of FIG. 1. FIG. 4 is a top view of the firearm sight of FIG. 1. FIG. 5 is a bottom view of the firearm sight of FIG. 1. FIG. 6 is a left side view of the firearm sight of FIG. 1; and, FIG. 7 is a right side view of the firearm sight of FIG. 1. The broken lines and the areas within them depict portions of the firearm sight that form no part of the claimed design. The dot-dash-dot broken lines in FIGS. 4, 5, and 6 denote the boundaries of the claim and form no part thereof.

**1 Claim, 7 Drawing Sheets**

(56) **References Cited**

U.S. PATENT DOCUMENTS

D378,936 S *	4/1997	DePaoli	.....	D22/109
D450,800 S *	11/2001	Sheehan	.....	D22/109
D460,512 S *	7/2002	Sheehan	.....	D22/109
D662,566 S *	6/2012	Estes	.....	D22/109
D704,296 S *	5/2014	Cheng	.....	D22/109
D730,477 S *	5/2015	Huynh	.....	D22/109
D747,431 S *	1/2016	Cheng	.....	D22/109
D784,480 S *	4/2017	Oz	.....	D22/109
10,139,197 B1 *	11/2018	Horton	.....	F41G 1/065
D846,689 S *	4/2019	Cheng	.....	D22/109
D846,690 S *	4/2019	Cheng	.....	D22/109
D847,292 S *	4/2019	Hoff	.....	D22/109



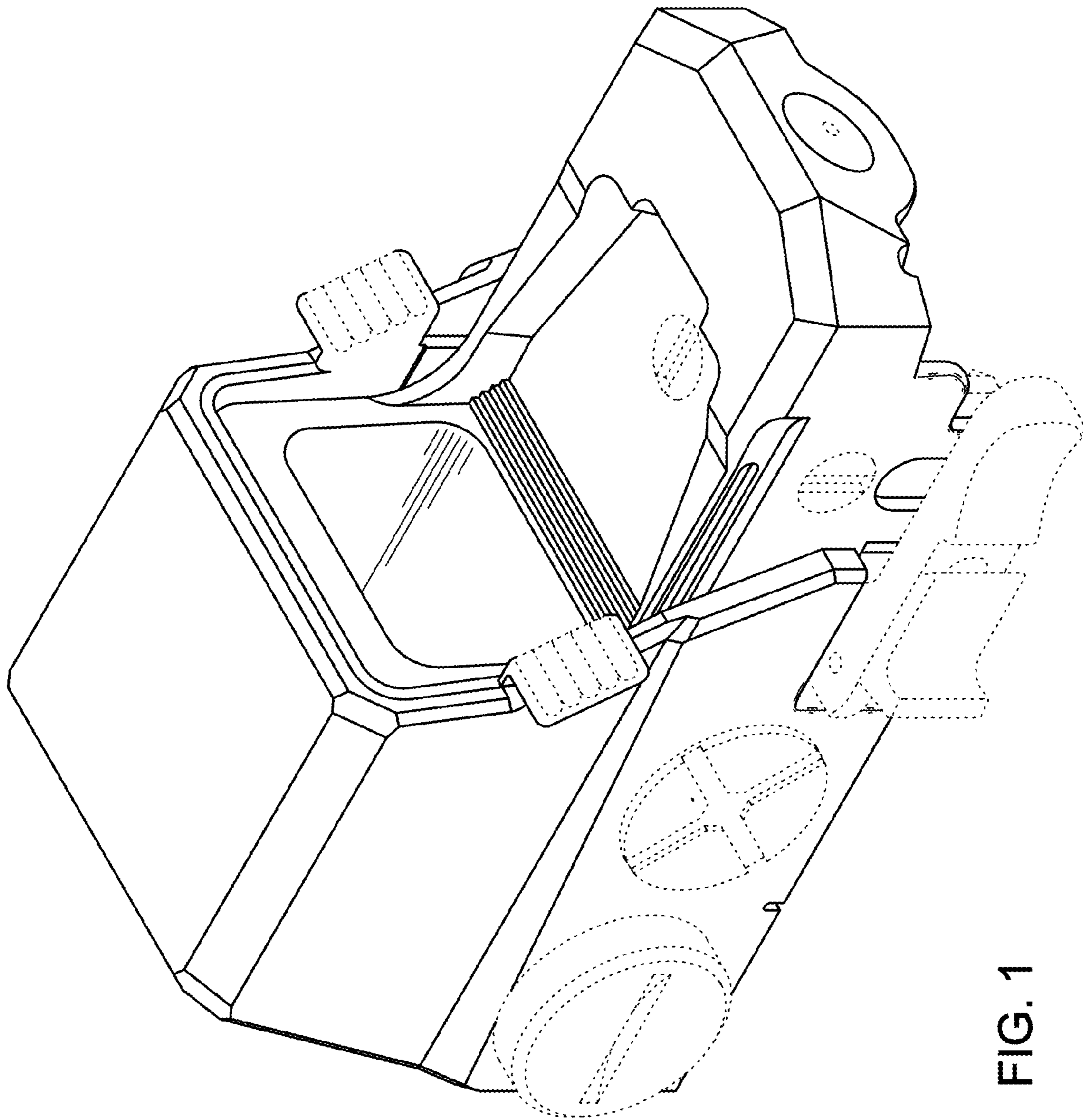


FIG. 1

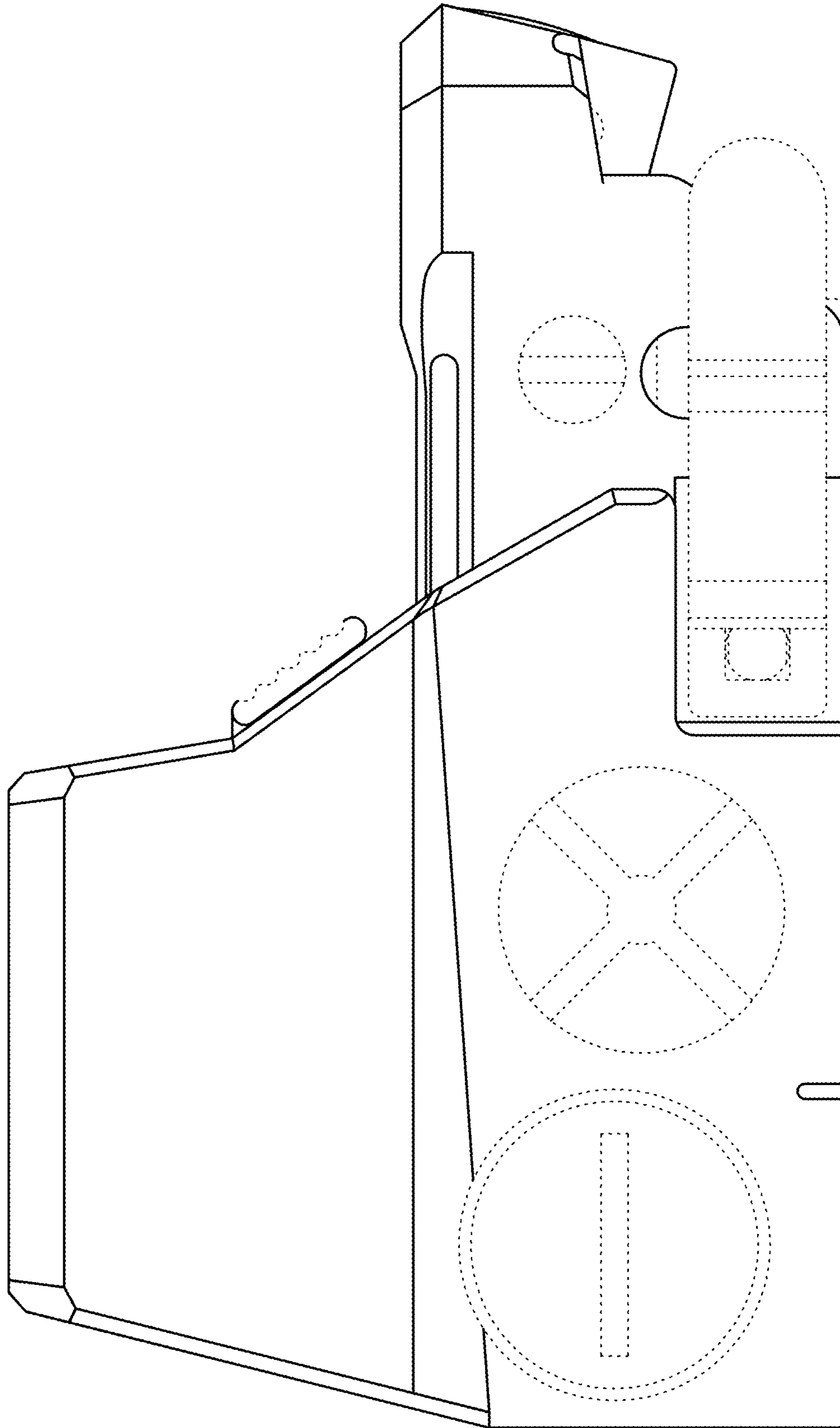


FIG. 2

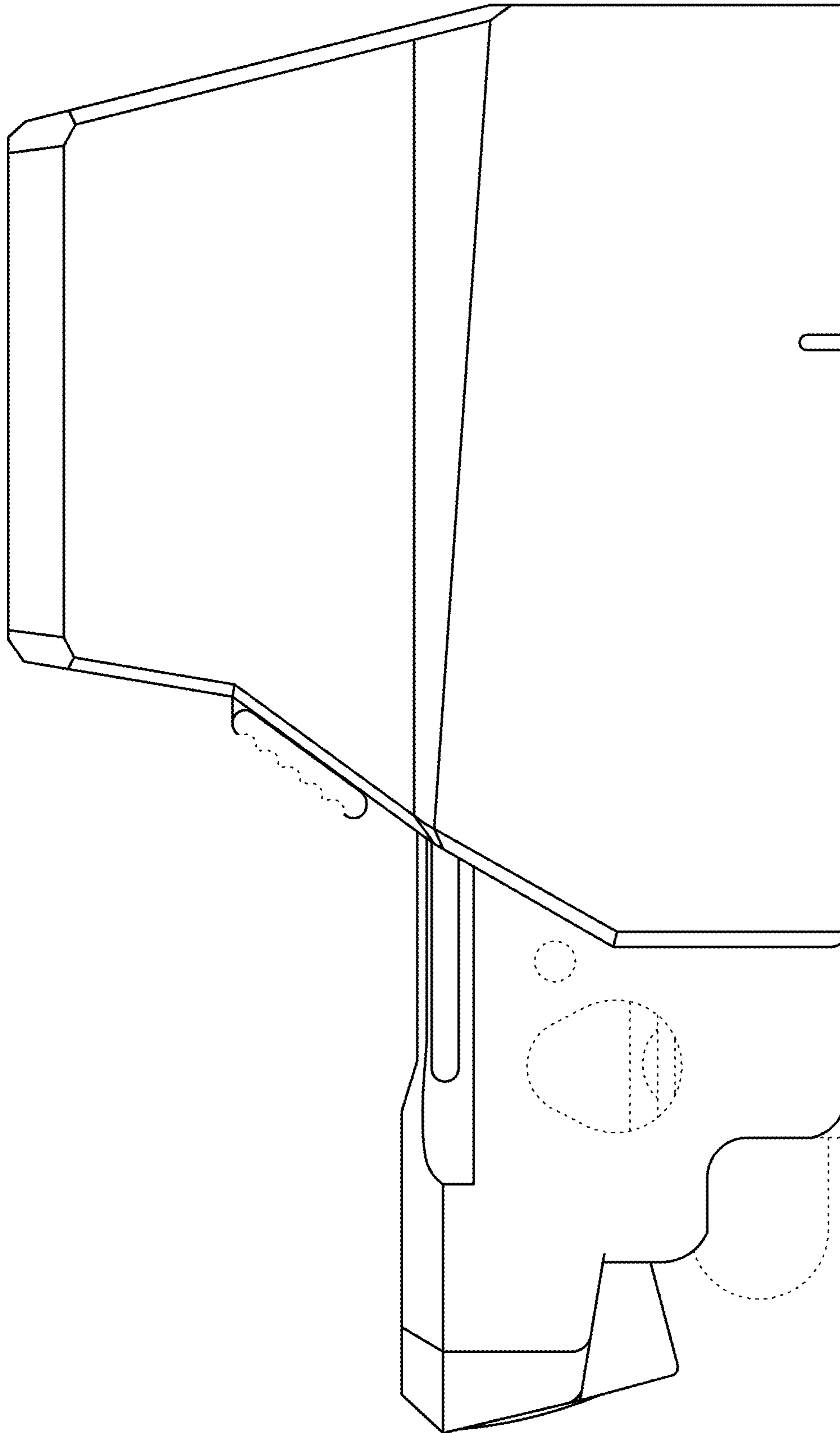


FIG. 3

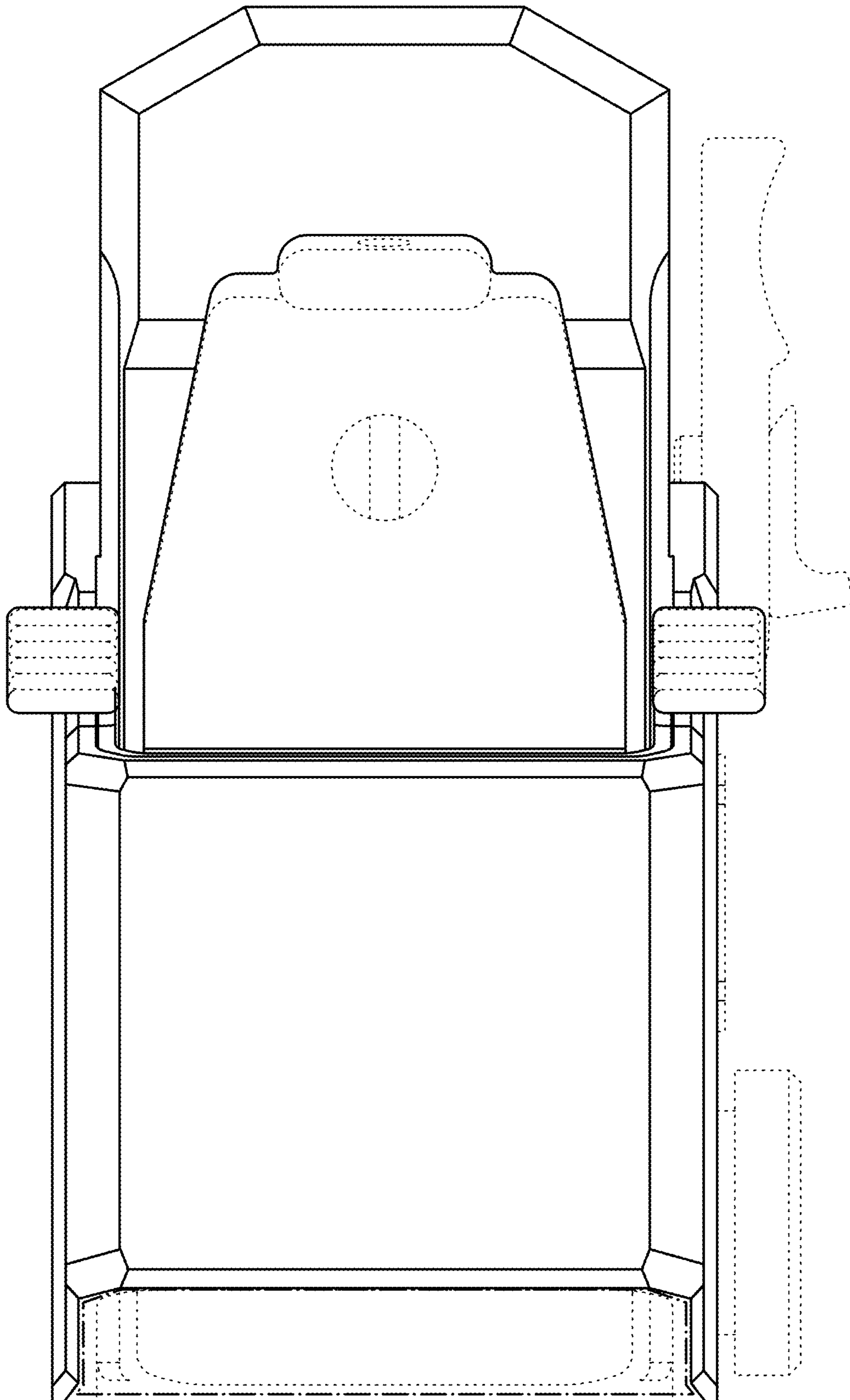


FIG. 4

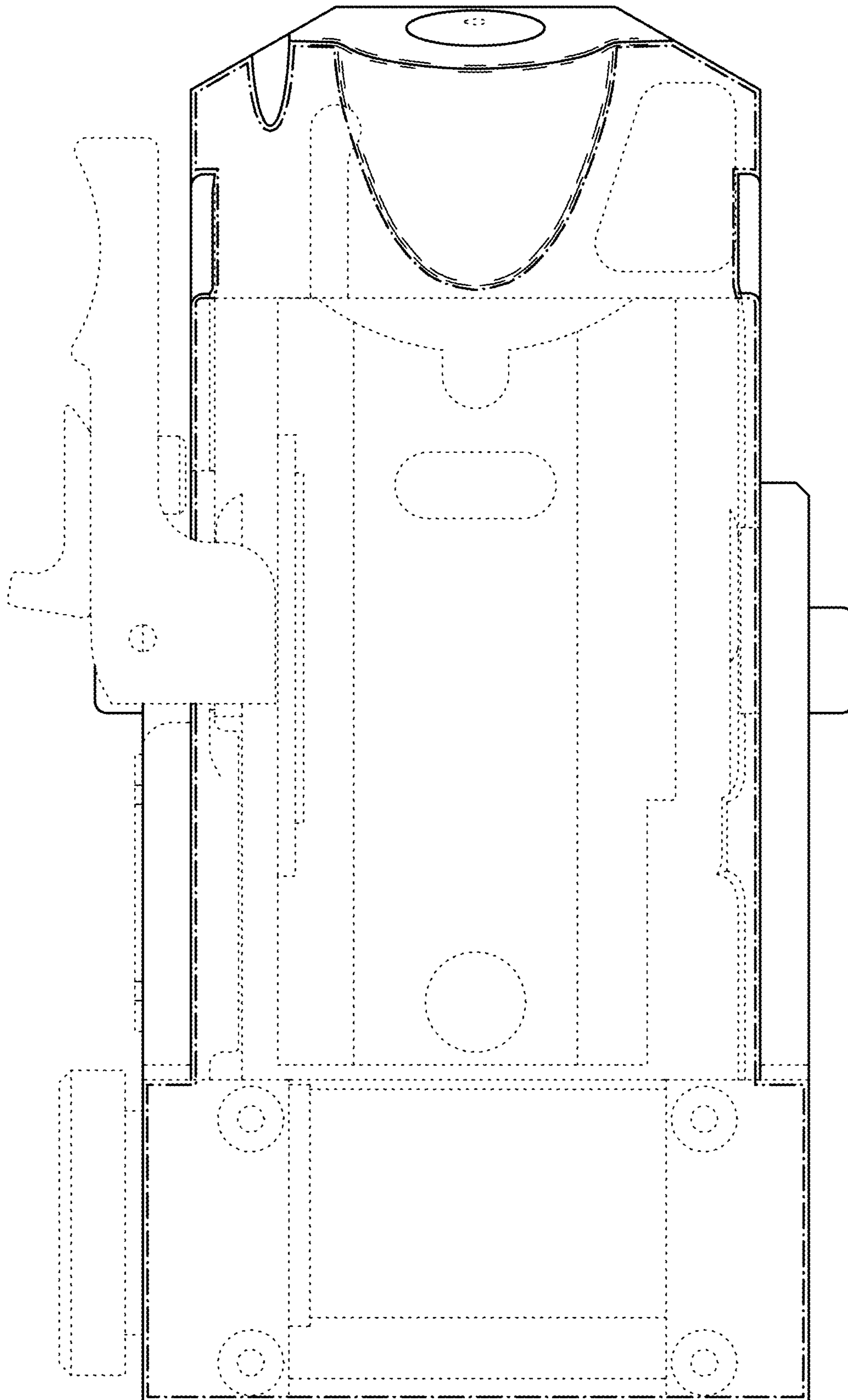


FIG. 5

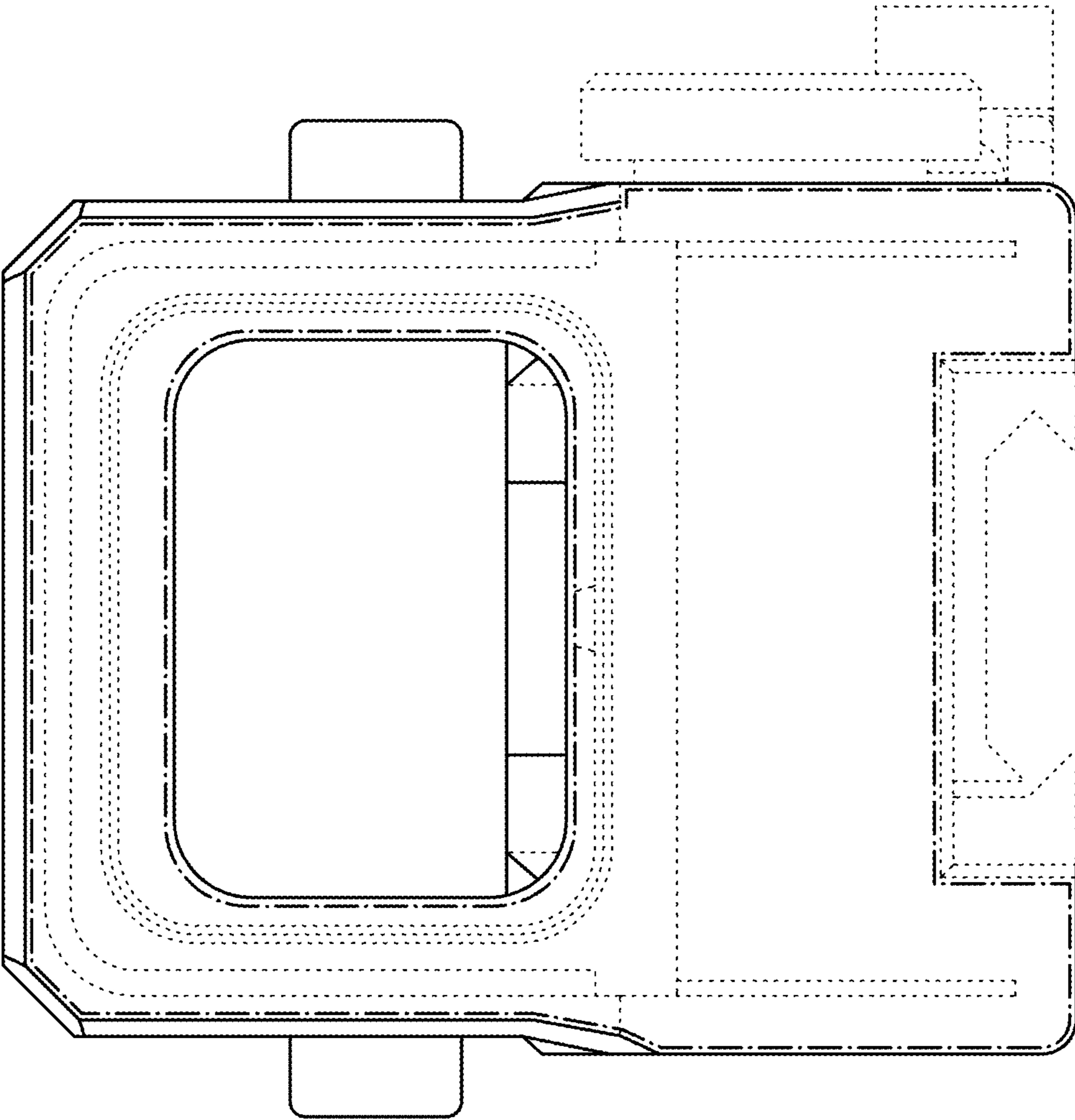


FIG. 6

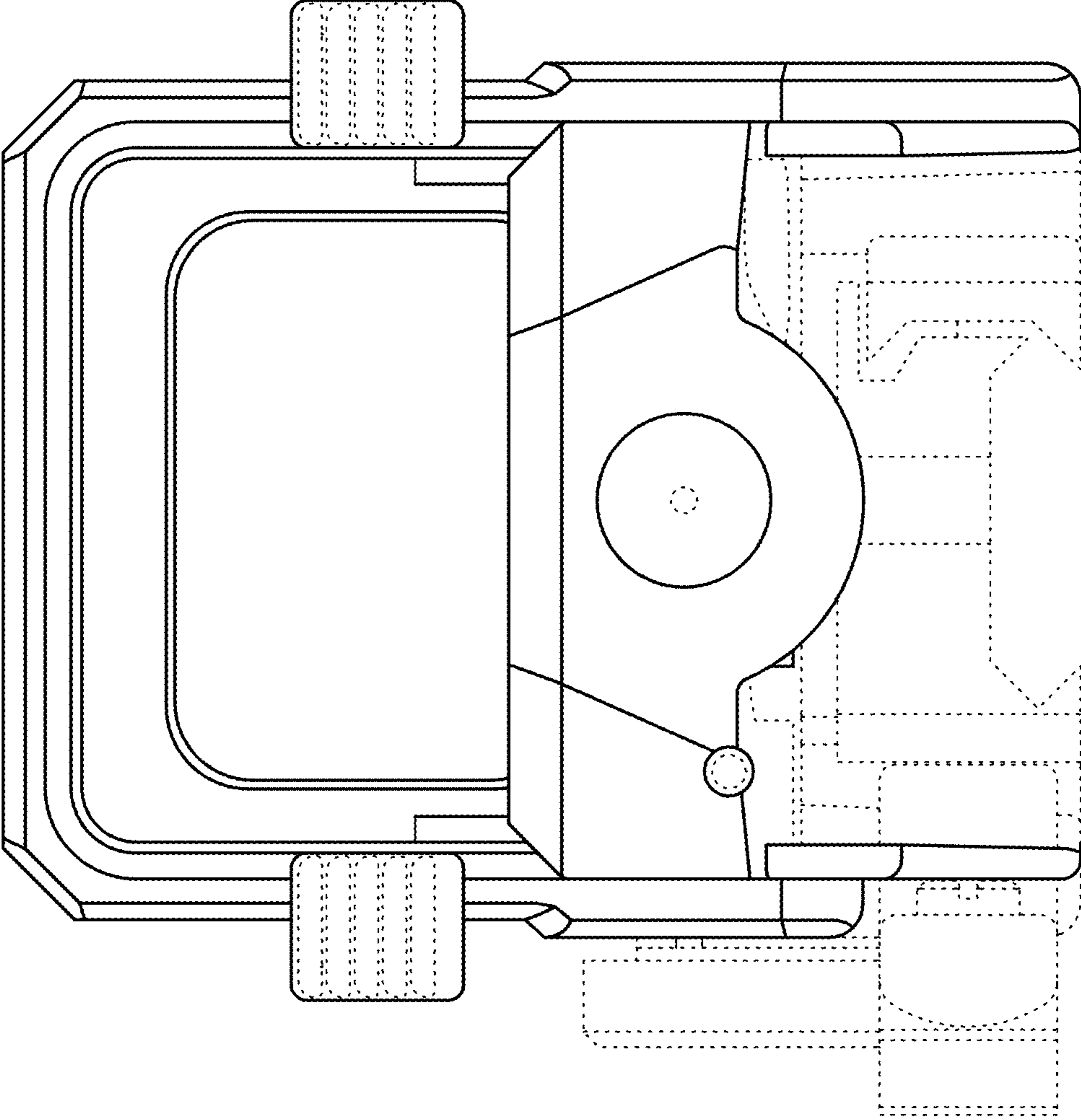


FIG. 7