



US00D906464S

(12) **United States Design Patent** (10) **Patent No.:** **US D906,464 S**  
**Acarreta et al.** (45) **Date of Patent:** **\*\* Dec. 29, 2020**

(54) **PART OF A WEAPON**

(71) Applicant: **RADE TECNOLOGÍAS, S.L.**,  
Saragossa (ES)

(72) Inventors: **Raúl Delgado Acarreta**, Saragossa  
(ES); **Diego Bernal Somavilla**,  
Saragossa (ES)

(73) Assignee: **RADE TECNOLOGÍAS, S.L.**,  
Saragossa (ES)

(\*\*) Term: **15 Years**

(21) Appl. No.: **29/698,655**

(22) Filed: **Jul. 18, 2019**

(30) **Foreign Application Priority Data**

Jan. 21, 2019 (EM) ..... 006080537-0002

(51) **LOC (12) Cl.** ..... **22-08**

(52) **U.S. Cl.**  
USPC ..... **D22/108**

(58) **Field of Classification Search**  
USPC ..... D22/108; D21/572-573  
CPC ..... F41C 23/14  
See application file for complete search history.

(56) **References Cited**

**U.S. PATENT DOCUMENTS**

D567,895 S \* 4/2008 Cauley ..... D22/103  
D640,342 S \* 6/2011 Fitzpatrick ..... D22/108

D733,247 S \* 6/2015 Lewis ..... D22/108  
D748,216 S \* 1/2016 Zusman ..... D22/108  
D774,619 S \* 12/2016 Mather ..... D22/108  
2014/0075815 A1 \* 3/2014 Jarboe ..... F41C 23/14  
42/73  
2016/0202016 A1 \* 7/2016 Mather ..... F41C 23/14  
42/73  
2017/0122698 A1 \* 5/2017 Chu ..... F41C 23/20  
2019/0301831 A1 \* 10/2019 Inneci ..... F41C 23/04

\* cited by examiner

*Primary Examiner* — Michael A. Pratt

(74) *Attorney, Agent, or Firm* — Cantor Colburn LLP

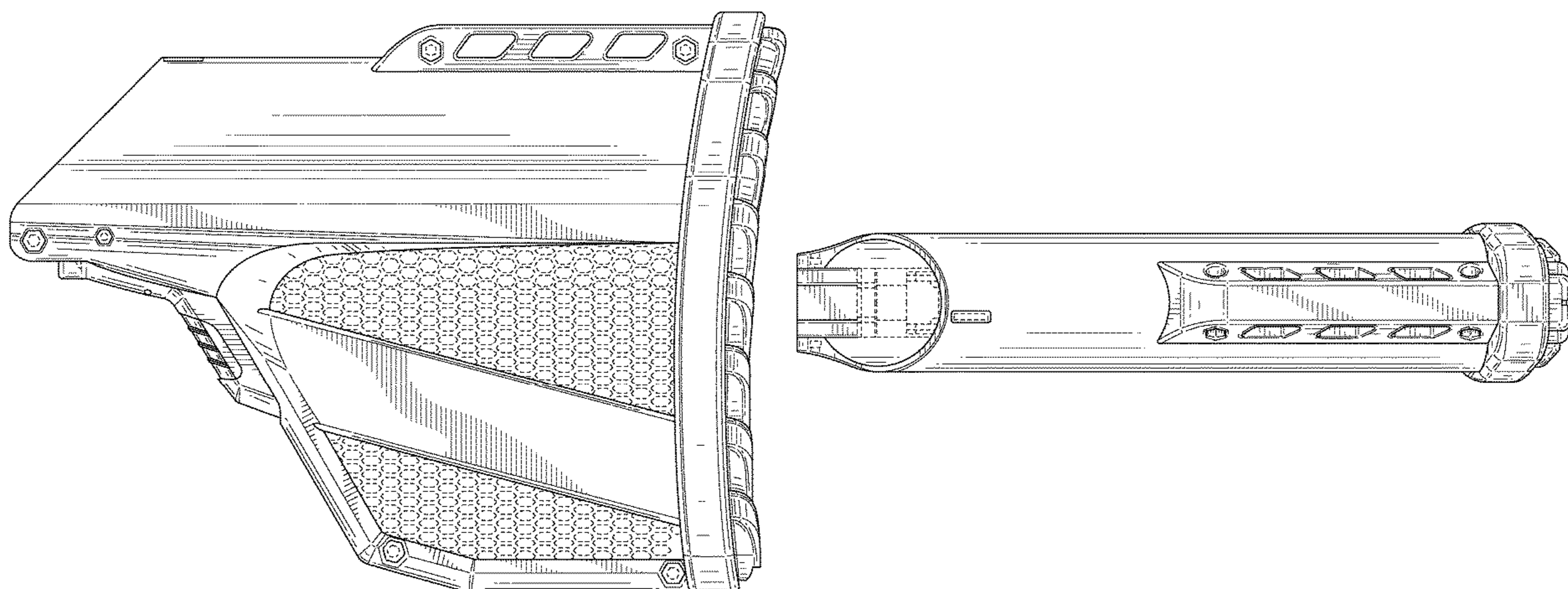
(57) **CLAIM**

We claim, the ornamental design for a part of a weapon, as shown and described.

**DESCRIPTION**

FIG. 1 is a side view of a part of a weapon, showing our new design;  
FIG. 2 is an opposite side view thereof;  
FIG. 3 is a front view thereof;  
FIG. 4 is a rear view thereof;  
FIG. 5 is a top view thereof;  
FIG. 6 is a bottom view thereof;  
FIG. 7 is another perspective view thereof; and,  
FIG. 8 is another perspective view thereof;  
Wherein portions shown in broken lines form no part of the claimed design.

**1 Claim, 8 Drawing Sheets**



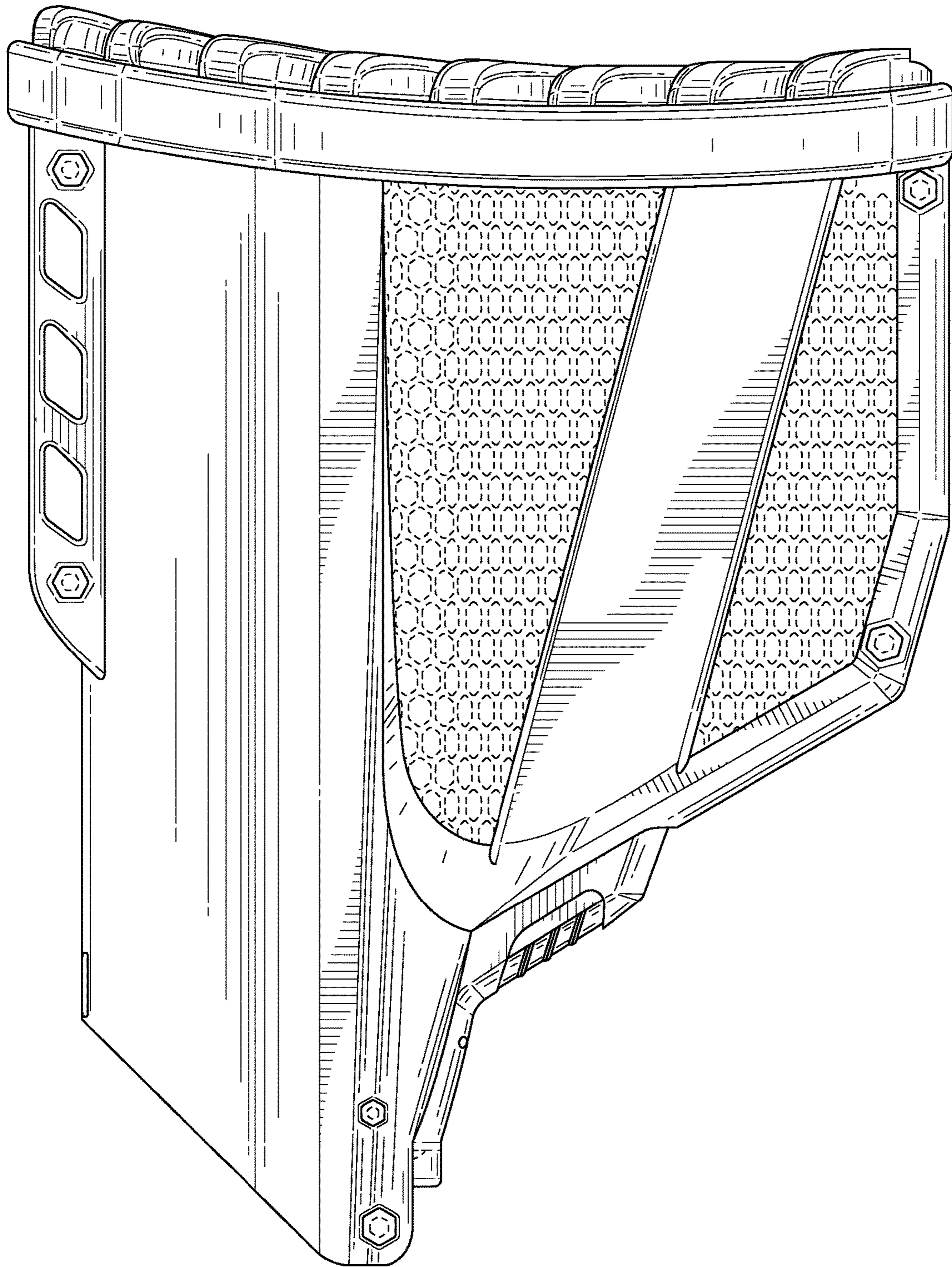


FIG. 1



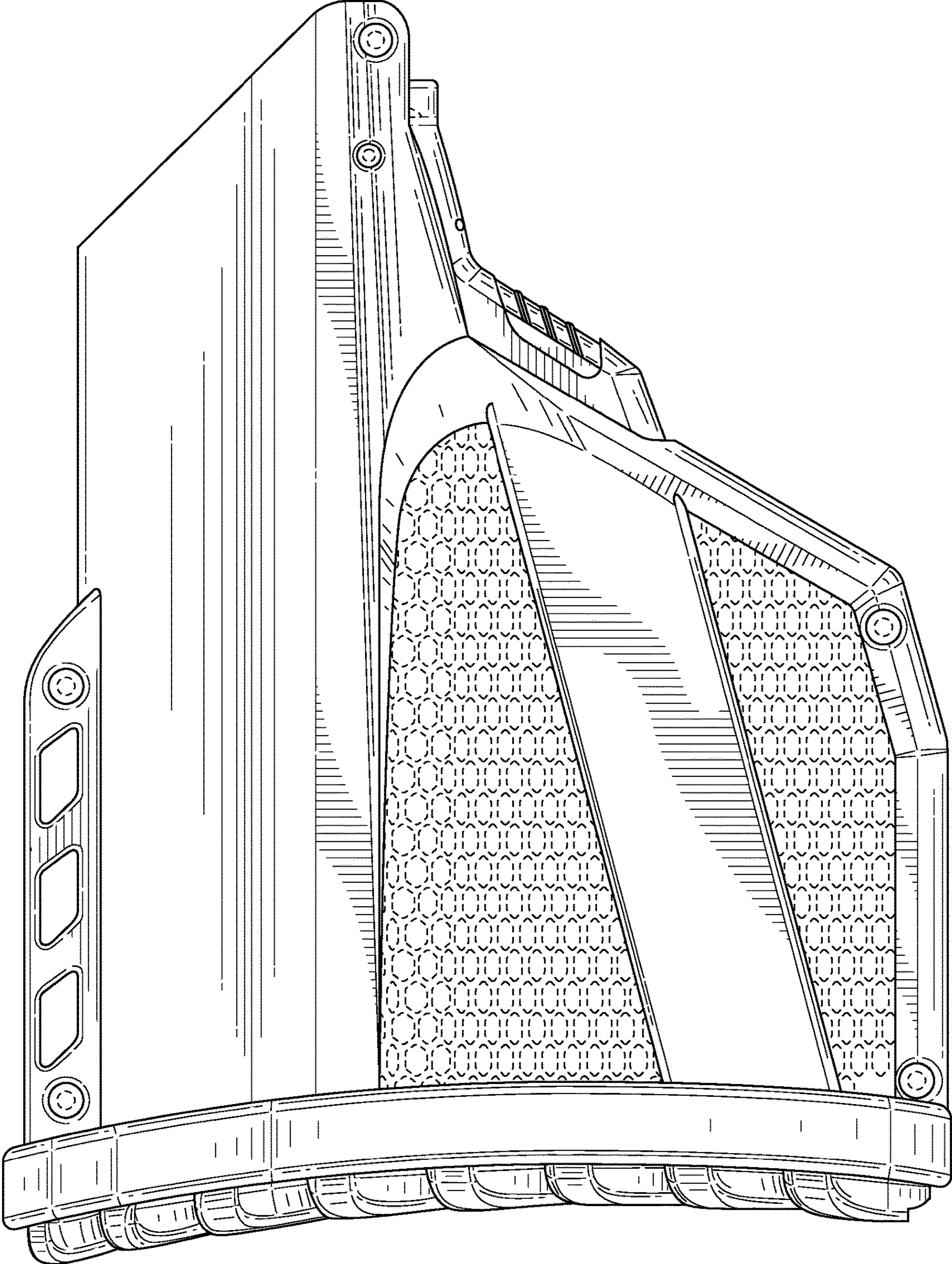


FIG. 2

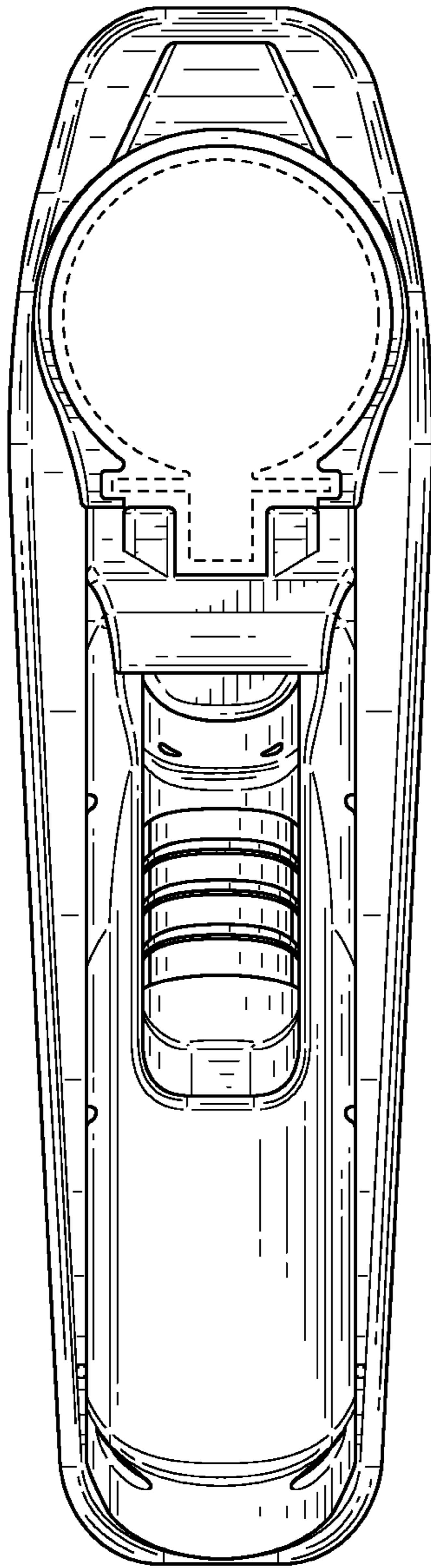


FIG. 3

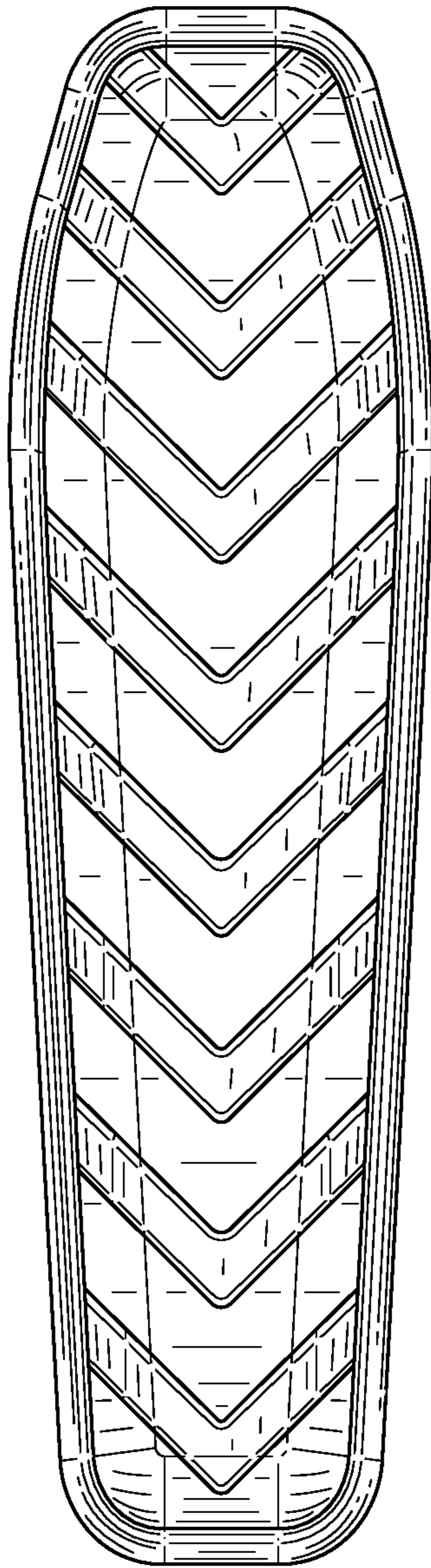


FIG. 4

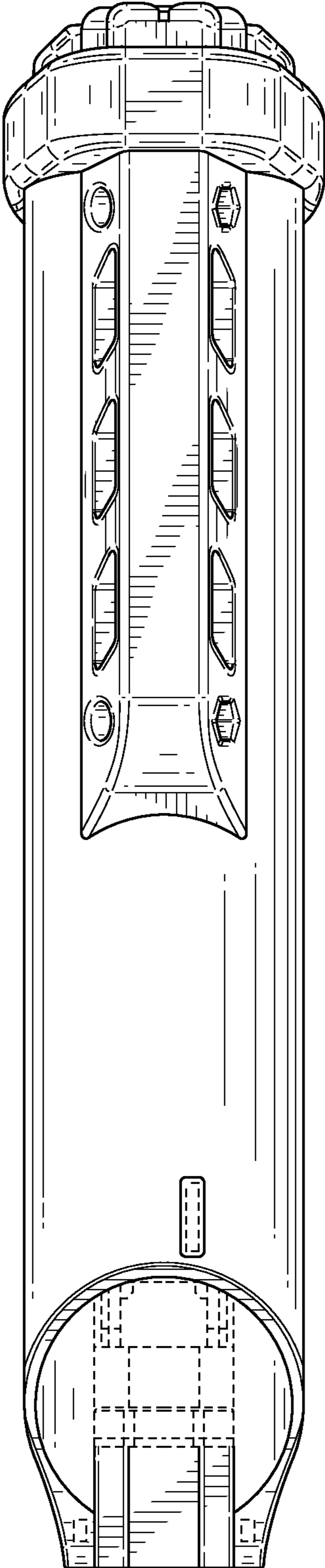


FIG. 5

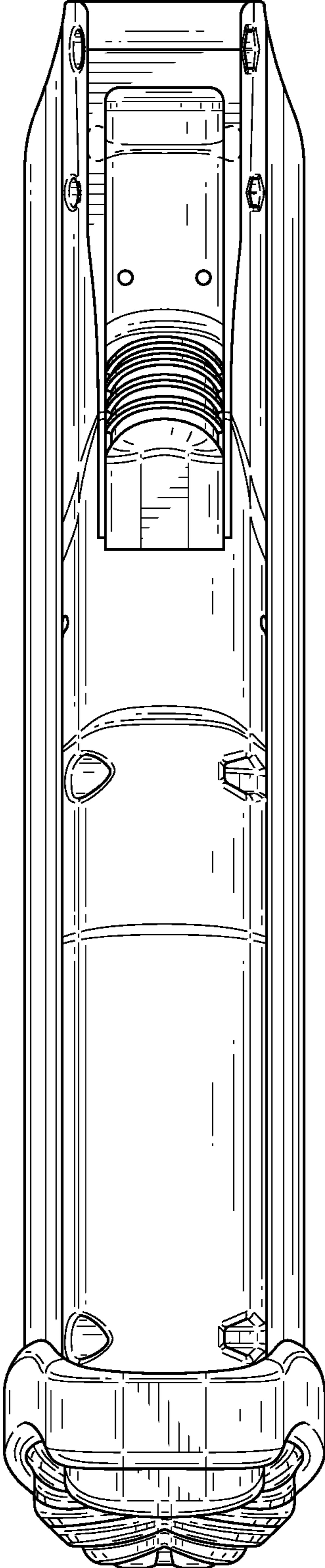


FIG. 6



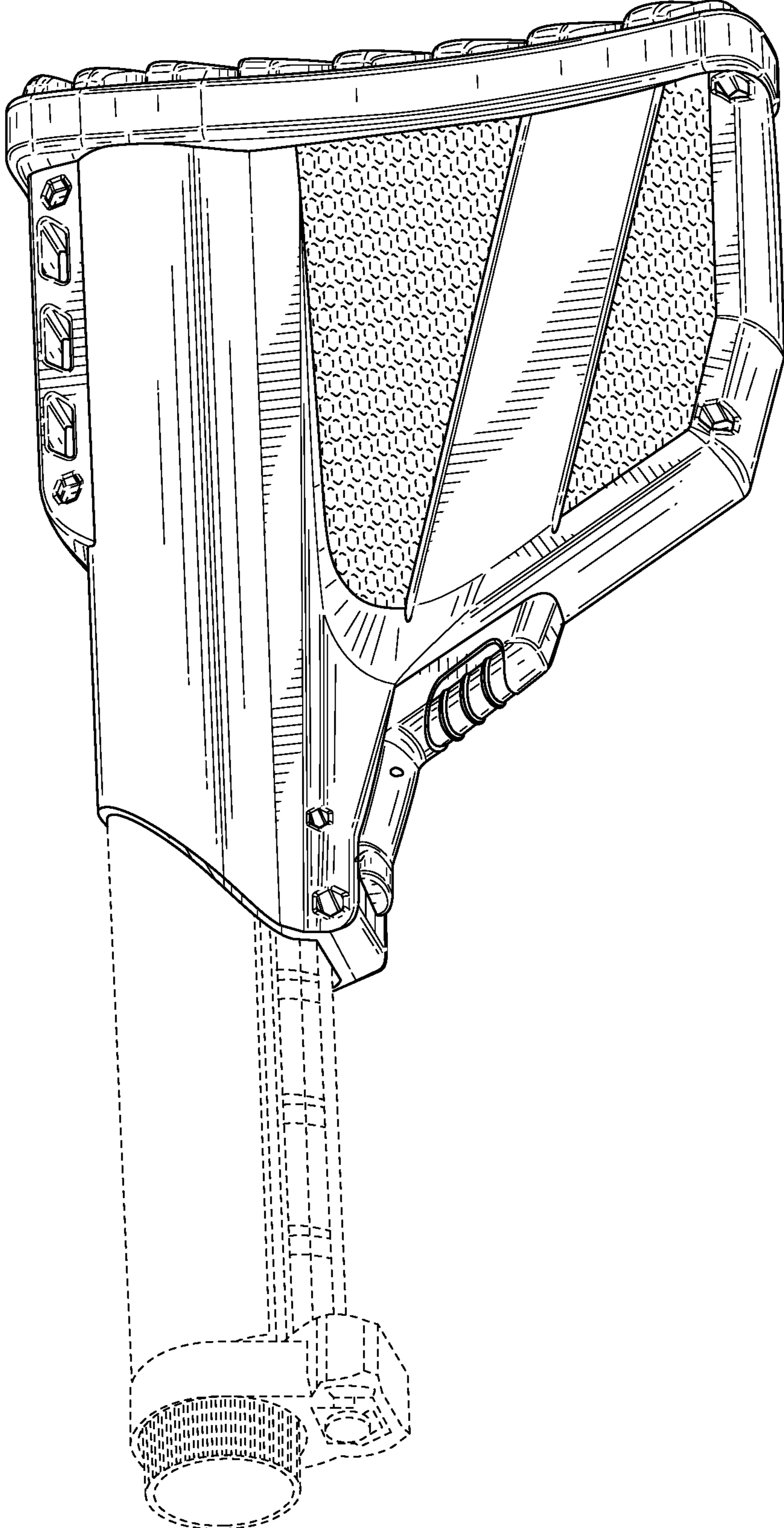


FIG. 7



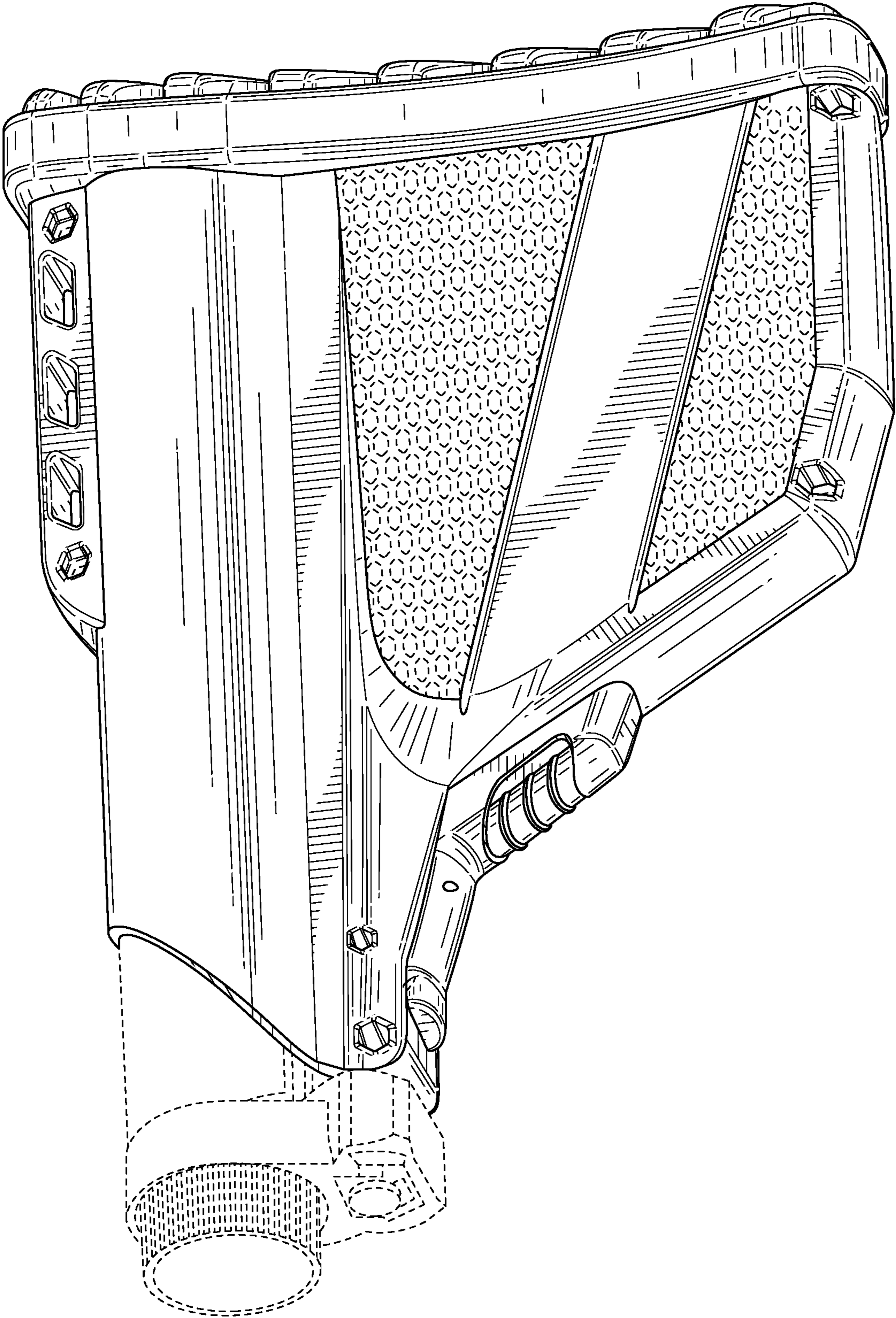


FIG. 8