

US00D906463S

(12) **United States Design Patent**
McGuirk

(10) **Patent No.:** **US D906,463 S**

(45) **Date of Patent:** **** Dec. 29, 2020**

(54) **MUZZLE BRAKE**

(71) Applicant: **Macson McGuirk**, Wyoming, PA (US)

(72) Inventor: **Macson McGuirk**, Wyoming, PA (US)

(**) Term: **15 Years**

(21) Appl. No.: **29/680,910**

(22) Filed: **Feb. 21, 2019**

(51) **LOC (12) Cl.** **22-01**

(52) **U.S. Cl.**
USPC **D22/108**

(58) **Field of Classification Search**
USPC D22/100, 103, 108, 109, 113, 115, 116,
D22/199; D21/302, 567, 573
CPC F41C 7/00; F41C 23/16; F41G 1/02; F41G
1/027; F41G 1/14; F41J 1/10; F42B 6/10;
F42B 7/00; F42B 7/02; F41A 17/38
See application file for complete search history.

(56) **References Cited**

U.S. PATENT DOCUMENTS

- 5,596,161 A * 1/1997 Sommers F41A 21/34
89/14.2
- 6,216,578 B1 * 4/2001 Ledys F41A 21/36
89/14.3
- D515,169 S * 2/2006 Bounds D22/108
- 7,032,339 B1 * 4/2006 Bounds F41A 21/36
42/1.06
- 8,424,440 B1 * 4/2013 Carson F41A 21/36
89/14.3
- D716,408 S * 10/2014 Oglesby D22/108
- D716,904 S * 11/2014 Oglesby D22/108
- D737,922 S * 9/2015 Pace F41A 21/30
D22/108
- D743,503 S * 11/2015 Huff D22/108
- 9,228,789 B1 * 1/2016 Oglesby F41A 21/36
- D754,275 S * 4/2016 Geissele D22/108
- D759,188 S * 6/2016 Geissele D22/108
- D763,395 S * 8/2016 Joplin D22/108
- D765,209 S * 8/2016 Sui D22/108
- D765,210 S * 8/2016 Sui D22/108

- D767,074 S * 9/2016 Sui D22/108
- D779,019 S * 2/2017 Arnedo Vera D22/108
- D783,758 S * 4/2017 Clark D22/108
- D787,622 S * 5/2017 Geissele F41A 35/00
D22/108
- D831,775 S * 10/2018 Hormann D22/108
- 10,088,261 B1 * 10/2018 Oglesby F41A 21/325
- D842,960 S * 3/2019 Liu D22/108
- D860,368 S * 9/2019 Hargis D22/108

(Continued)

OTHER PUBLICATIONS

“Precision Rifle Blogs Muzzle Brake Testing” [online]. Nathan S. [Published Aug. 28, 2015]. Retrieved from the Internet: <<https://www.thefirearmblog.com/blog/2015/08/28/precision-rifle-blogs-muzzle-brake-testing/>>.*

Primary Examiner — Khawaja Anwar
Assistant Examiner — Mojtaba Tehrani
(74) *Attorney, Agent, or Firm* — Riddle Patent Law, LLC;
Charles L. Riddle, Esq.

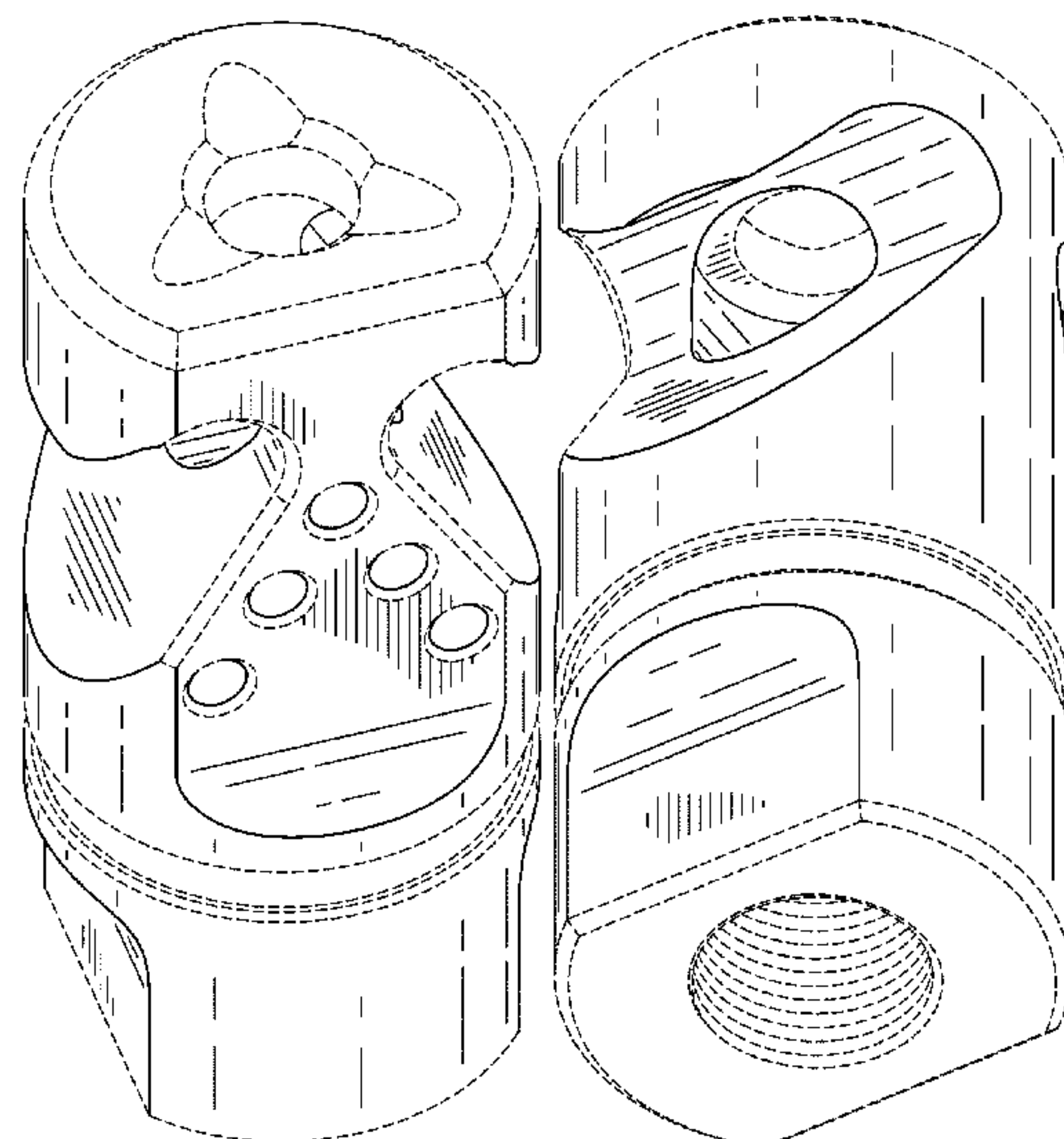
(57) **CLAIM**

The ornamental design for a muzzle brake, as shown and described.

DESCRIPTION

FIG. 1 is a top perspective of a muzzle brake showing my design;
FIG. 2 is a bottom perspective view thereof;
FIG. 3 is a front view thereof;
FIG. 4 is a rear view thereof;
FIG. 5 is a left side elevation view thereof;
FIG. 6 is a right side elevation view thereof;
FIG. 7 is a top plan view thereof; and,
FIG. 8 is a bottom plan view thereof.
Broken lines in the drawings depicts unclaimed structure and boundary of the claim, and form no part of the claimed design.

1 Claim, 7 Drawing Sheets



(56)

References Cited

U.S. PATENT DOCUMENTS

D889,585 S * 7/2020 Odle D22/108
D896,913 S * 9/2020 Curry D22/108
2011/0174141 A1* 7/2011 Adolphsen B29C 39/10
89/14.3
2012/0180352 A1* 7/2012 Addis F41A 35/00
42/1.06
2017/0343311 A1* 11/2017 Deros F41A 21/36

* cited by examiner

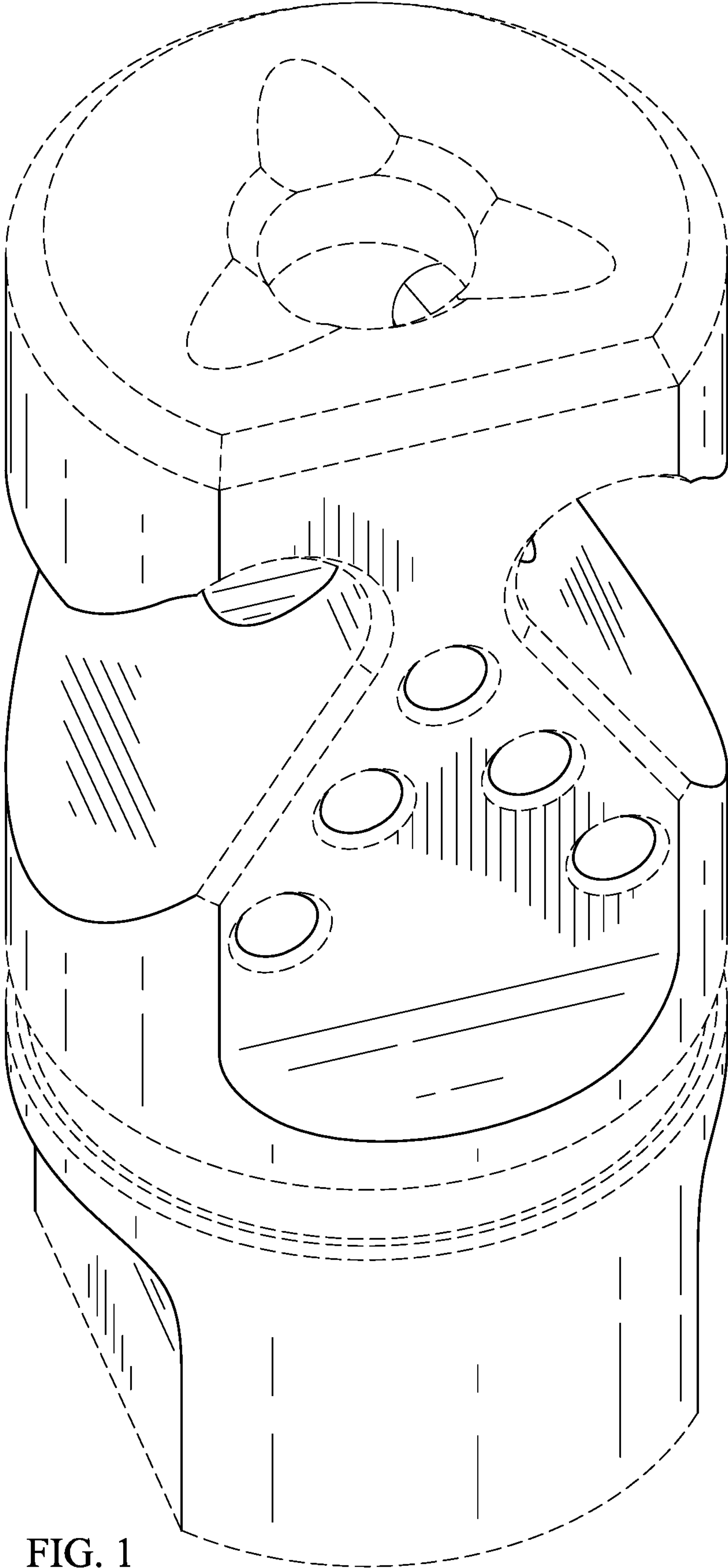


FIG. 1

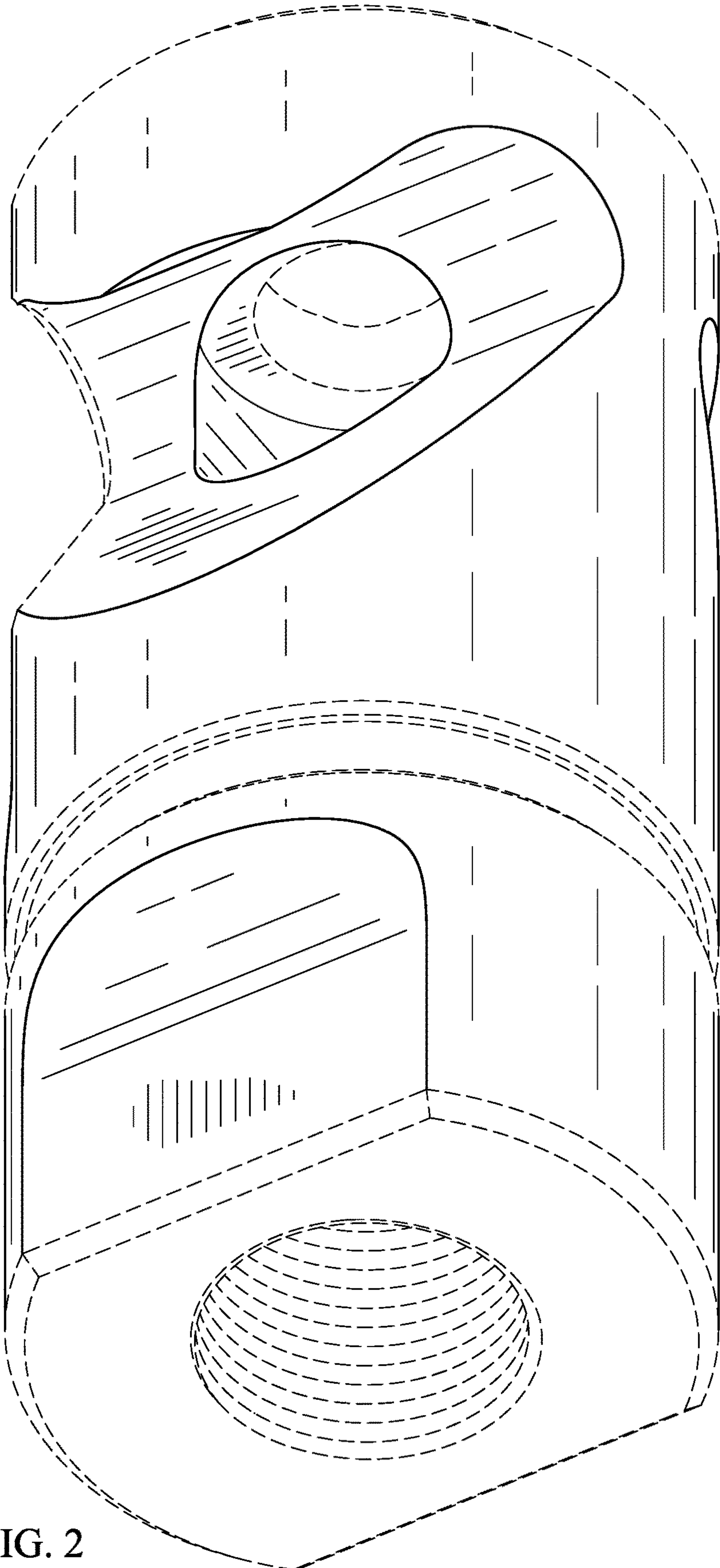


FIG. 2

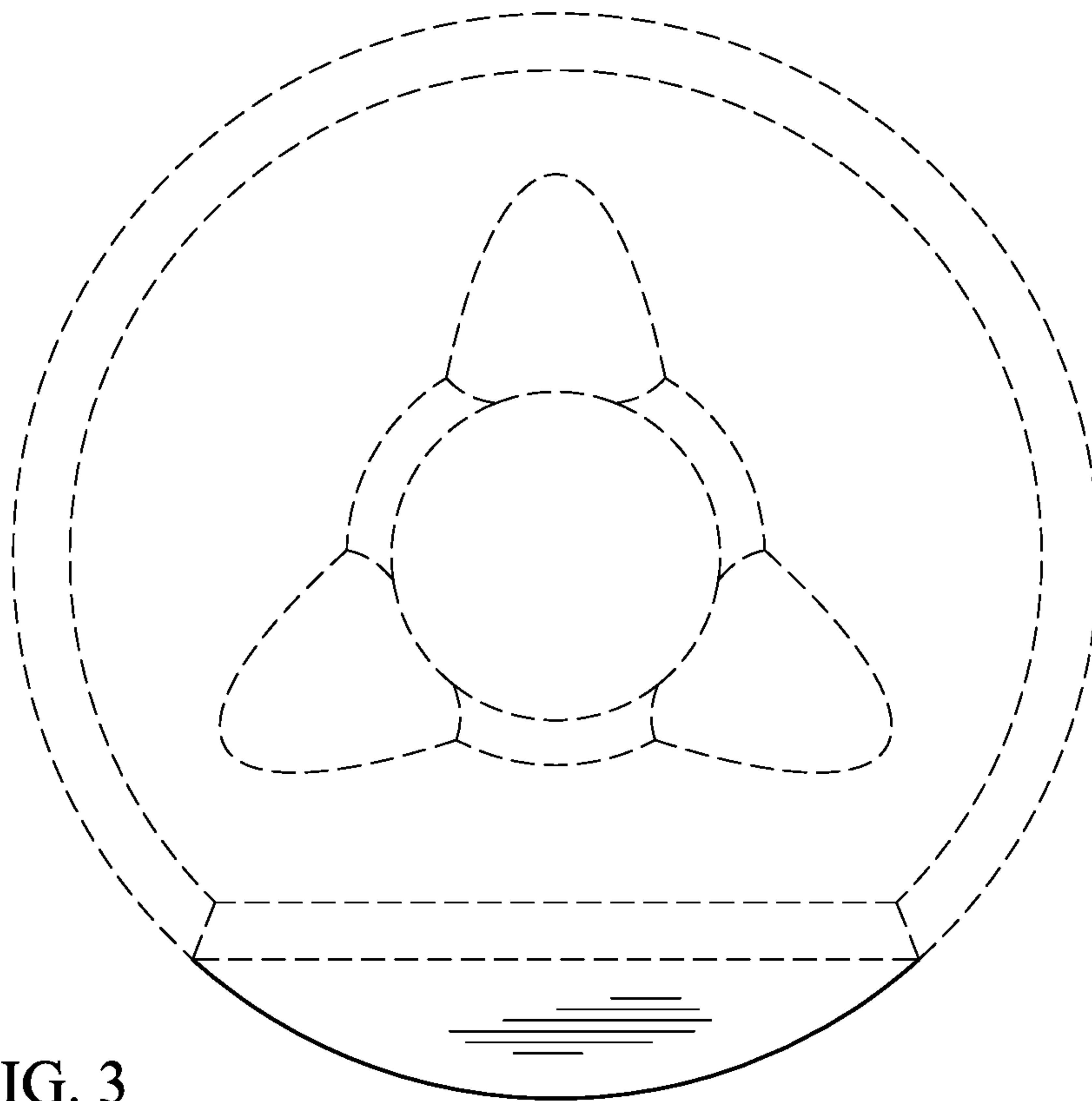


FIG. 3

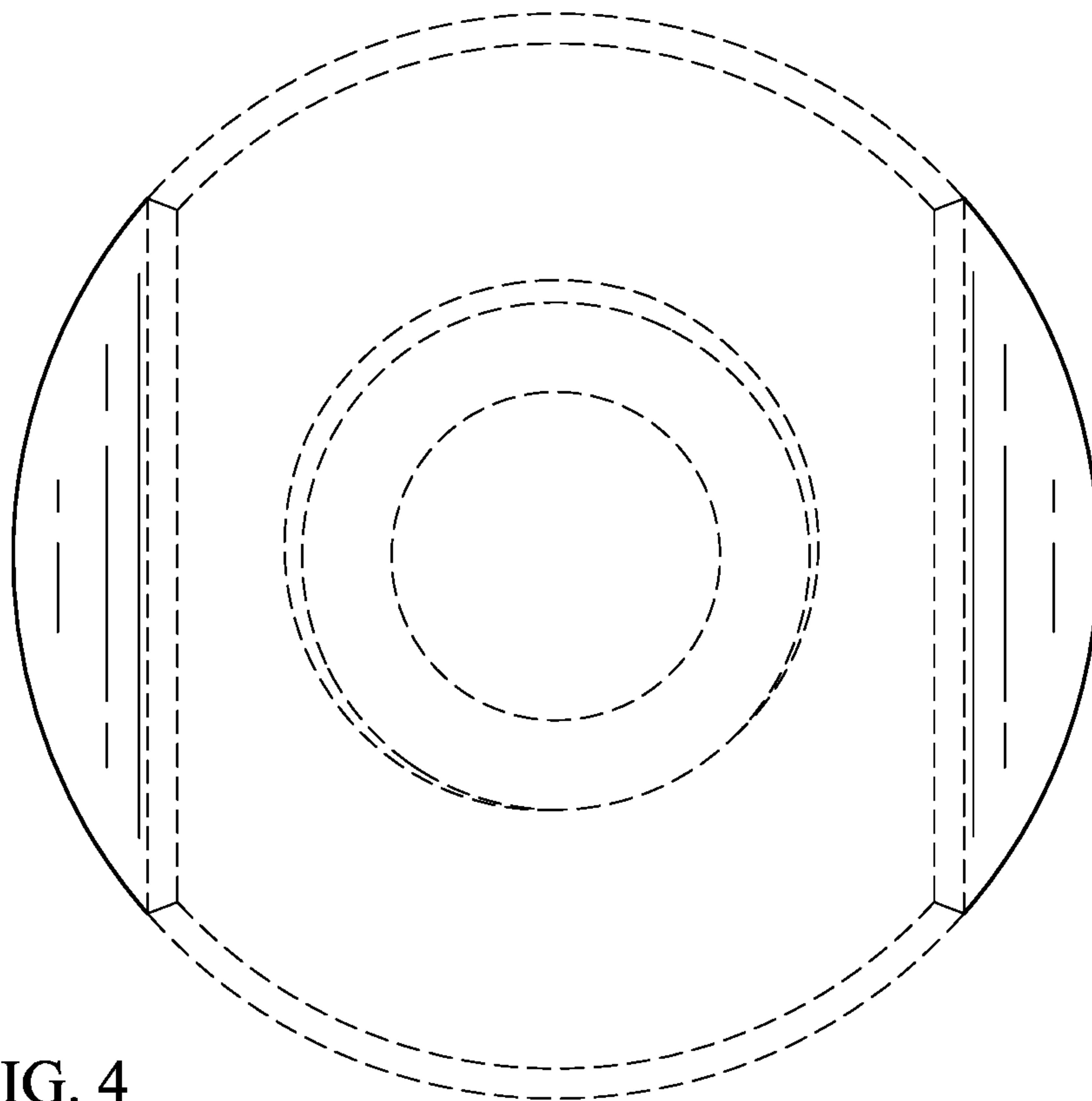


FIG. 4

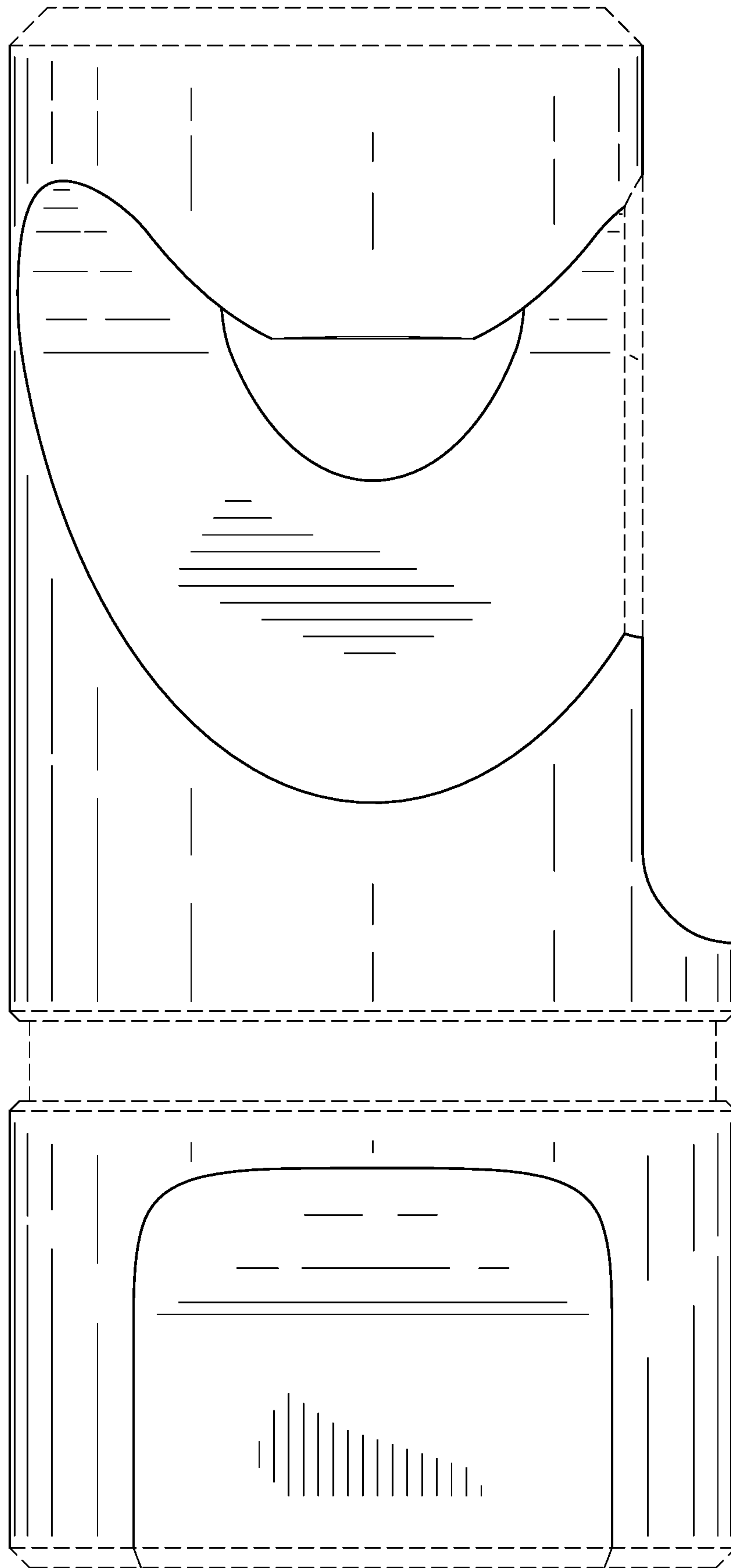


FIG. 5

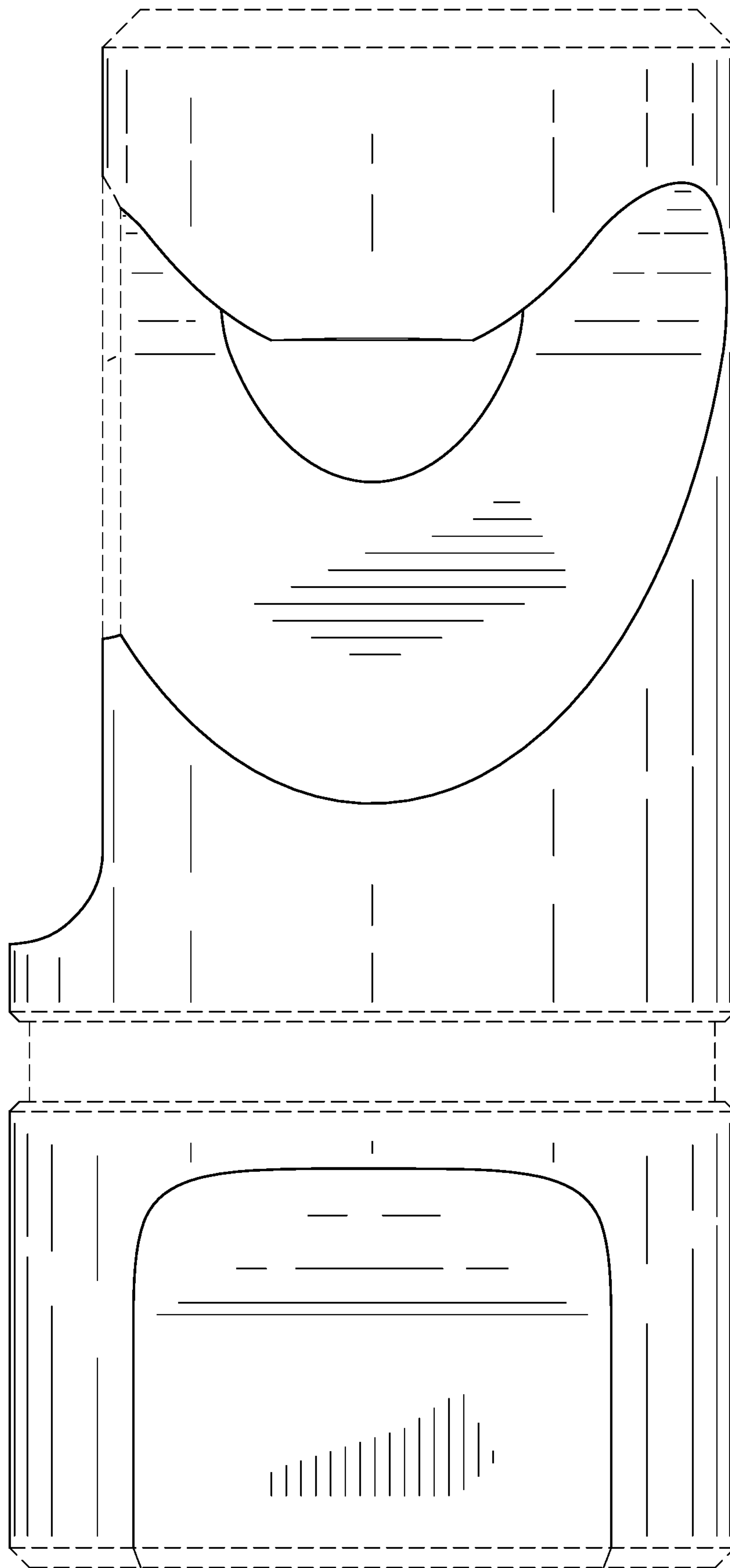


FIG. 6

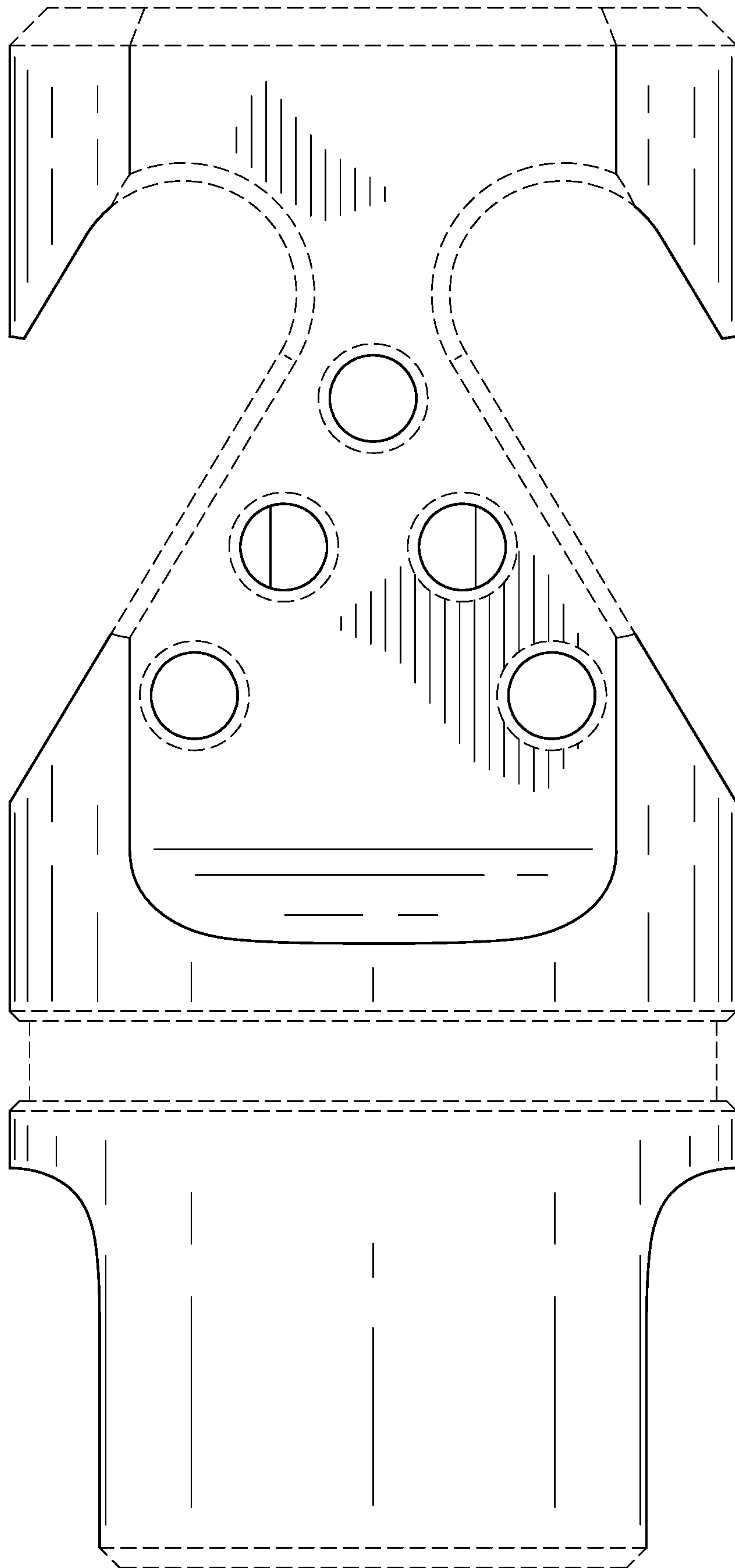


FIG. 7

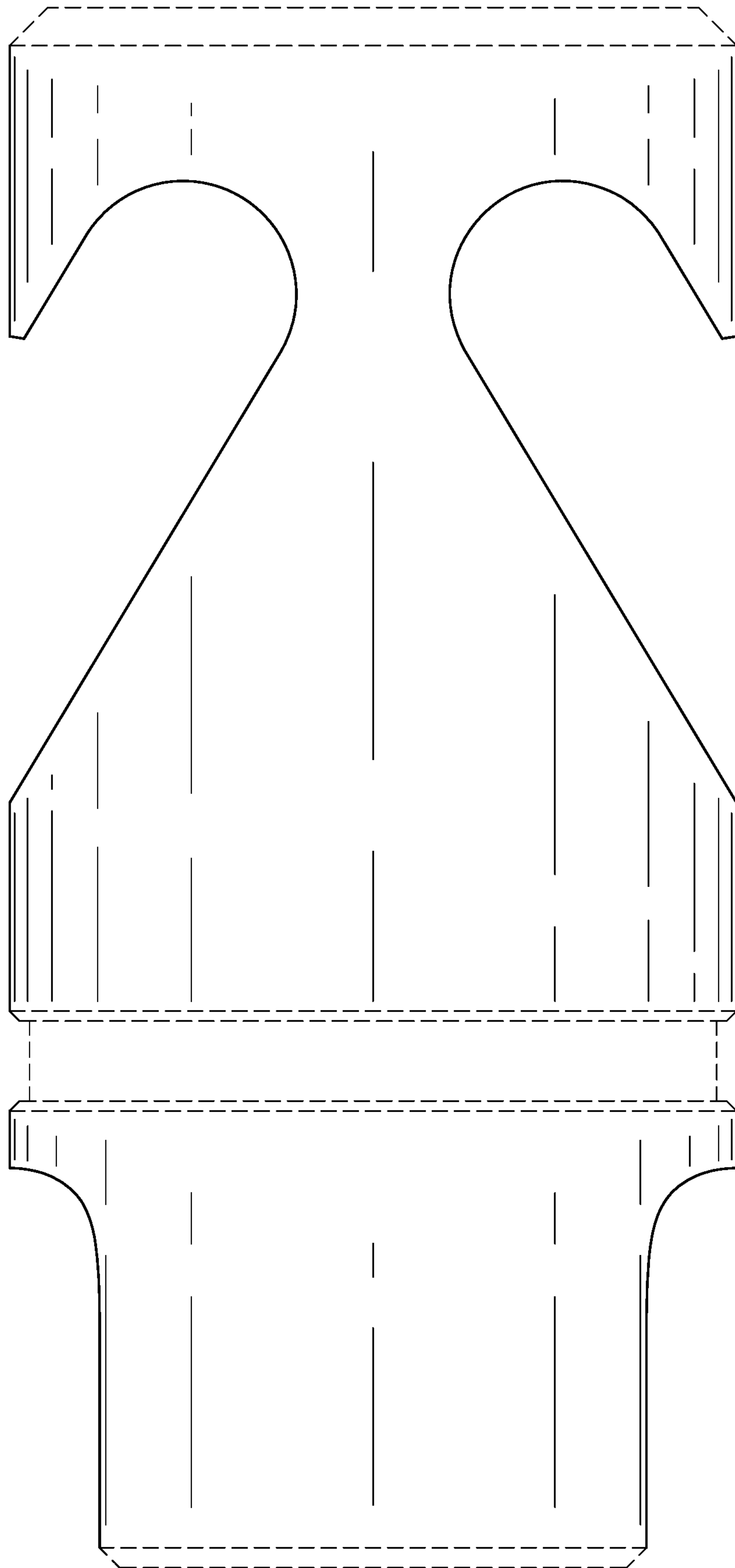


FIG. 8