



US00D906459S

(12) **United States Design Patent**
Agrella et al.

(10) **Patent No.:** **US D906,459 S**

(45) **Date of Patent:** **** Dec. 29, 2020**

(54) **GOLF CLUB HEAD**

(71) Applicant: **SUMITOMO RUBBER INDUSTRIES, LTD.**, Kobe (JP)

(72) Inventors: **Alexandra Agrella**, Huntington Beach, CA (US); **Phillip C. Seagram**, Long Beach, CA (US); **Darius Cyrulik**, Alhambra, CA (US)

(73) Assignee: **SUMITOMO RUBBER INDUSTRIES, LTD.**, Kobe (JP)

(**) Term: **15 Years**

(21) Appl. No.: **29/695,771**

(22) Filed: **Jun. 21, 2019**

(51) **LOC (12) Cl.** **21-02**

(52) **U.S. Cl.**
USPC **D21/759**

(58) **Field of Classification Search**
USPC D21/736-746, 759
CPC A63B 53/00; A63B 53/04; A63B 53/007;
A63B 53/065; A63B 53/0487; A63B
60/00; A63B 60/46
See application file for complete search history.

(56) **References Cited**

U.S. PATENT DOCUMENTS

D235,668 S *	7/1975	Swash	D21/739
D447,203 S *	8/2001	Sanchez	D21/759
D447,204 S *	8/2001	Solheim	D21/759
D448,440 S *	9/2001	Solheim	D21/759
D454,170 S *	3/2002	Petersen	D21/759
D454,379 S *	3/2002	Solheim	D21/759
D456,868 S *	5/2002	Solheim	D21/759
D496,417 S *	9/2004	Tang	D21/738
D500,823 S *	1/2005	Aldrich	D21/759
D521,582 S *	5/2006	Souza	D21/743
D533,609 S *	12/2006	Moore	D21/742

D549,795 S *	8/2007	Rollinson	D21/759
D571,886 S *	6/2008	Stites	D21/759
D572,331 S *	7/2008	Oldknow	D21/759
D572,789 S *	7/2008	Stites	D21/759
D574,050 S *	7/2008	Jones	D21/759
D574,457 S *	8/2008	Stites	D21/759
D587,325 S *	2/2009	Solheim	D21/736
D591,806 S *	5/2009	Cameron	D21/743
D600,761 S *	9/2009	Solheim	D21/736
D639,361 S *	6/2011	Reinberg	D21/759
D639,367 S *	6/2011	Reinberg	D21/759
D639,369 S *	6/2011	Miyamichi	D21/759
D642,643 S *	8/2011	Nicolette	D21/759
D776,218 S *	1/2017	Seagram	D21/759
D777,275 S *	1/2017	Seagram	D21/759
D783,749 S *	4/2017	Becktor	D21/759
D796,598 S *	9/2017	Serrano	D21/736
D796,602 S *	9/2017	Serrano	D21/743
D802,073 S *	11/2017	Toulon	D21/759
9,987,530 B2 *	6/2018	Jertson	A63B 53/0487

(Continued)

Primary Examiner — Mitchell I. Siegel

(74) *Attorney, Agent, or Firm* — Oliff PLC

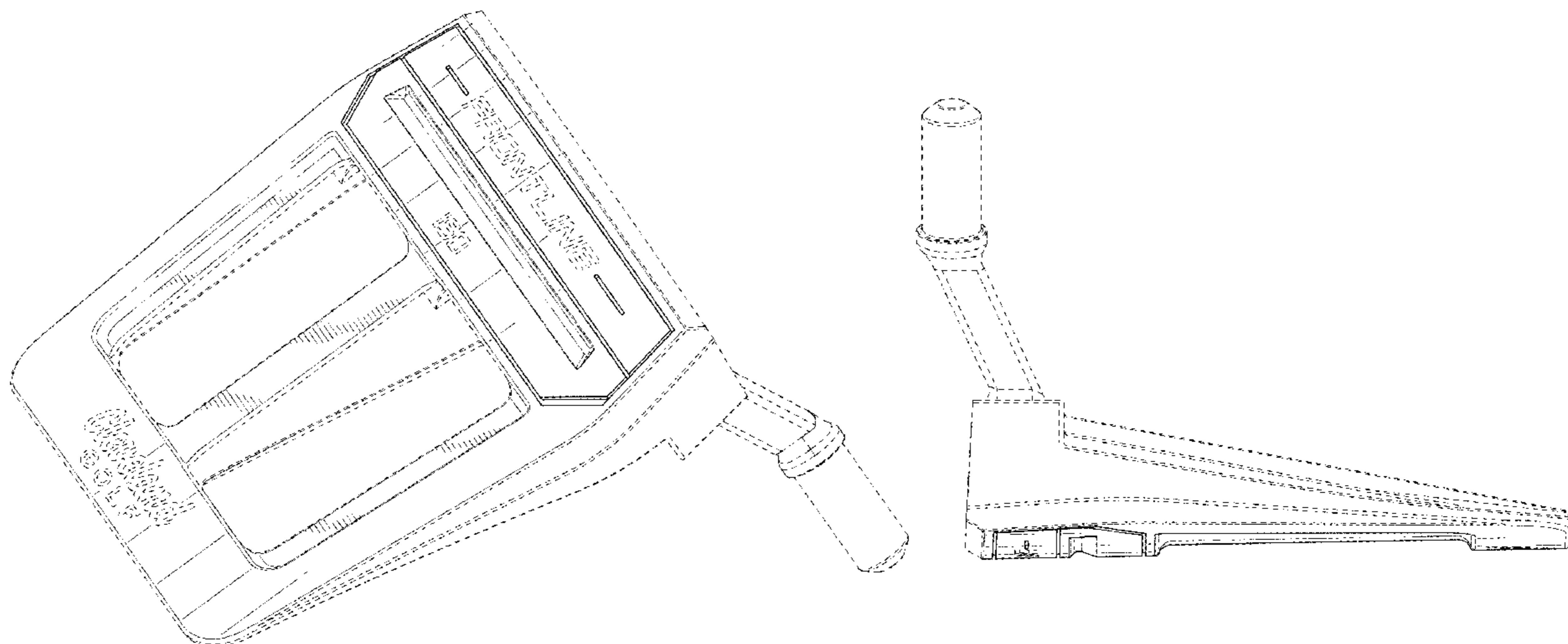
(57) **CLAIM**

The ornamental design for a golf club head, as shown and described.

DESCRIPTION

FIG. 1 is a bottom, heel-side, perspective view of the golf club head;
FIG. 2 is a front elevational view thereof;
FIG. 3 is a top plan view thereof;
FIG. 4 is a heel-side elevational view thereof;
FIG. 5 is a toe-side elevational view thereof;
FIG. 6 is a rear elevational view thereof;
FIG. 7 is a bottom plan view thereof; and,
FIG. 8 is a top, heel-side perspective view thereof.
The broken lines depict parts of the golf club head that form no part of the claimed design.

1 Claim, 8 Drawing Sheets



(56)

References Cited

U.S. PATENT DOCUMENTS

D827,064 S * 8/2018 Wypych D21/743
10,173,105 B2 * 1/2019 Myers A63B 53/0487
D864,325 S * 10/2019 Rollinson D21/743
D874,589 S * 2/2020 Parente D21/736
10,632,352 B2 * 4/2020 Lambeth A63B 53/0487
D893,655 S * 8/2020 Schweigert D21/759
10,737,153 B2 * 8/2020 Schweigert A63B 53/0487
2009/0105008 A1 * 4/2009 Kuan A63B 60/54
473/340
2009/0270198 A1 * 10/2009 Solheim A63B 53/0487
473/340
2009/0305807 A1 * 12/2009 Solheim A63B 53/0487
473/251
2016/0016050 A1 * 1/2016 Rife A63B 53/0487
473/331
2018/0311545 A1 * 11/2018 Lambeth A63B 53/04

* cited by examiner

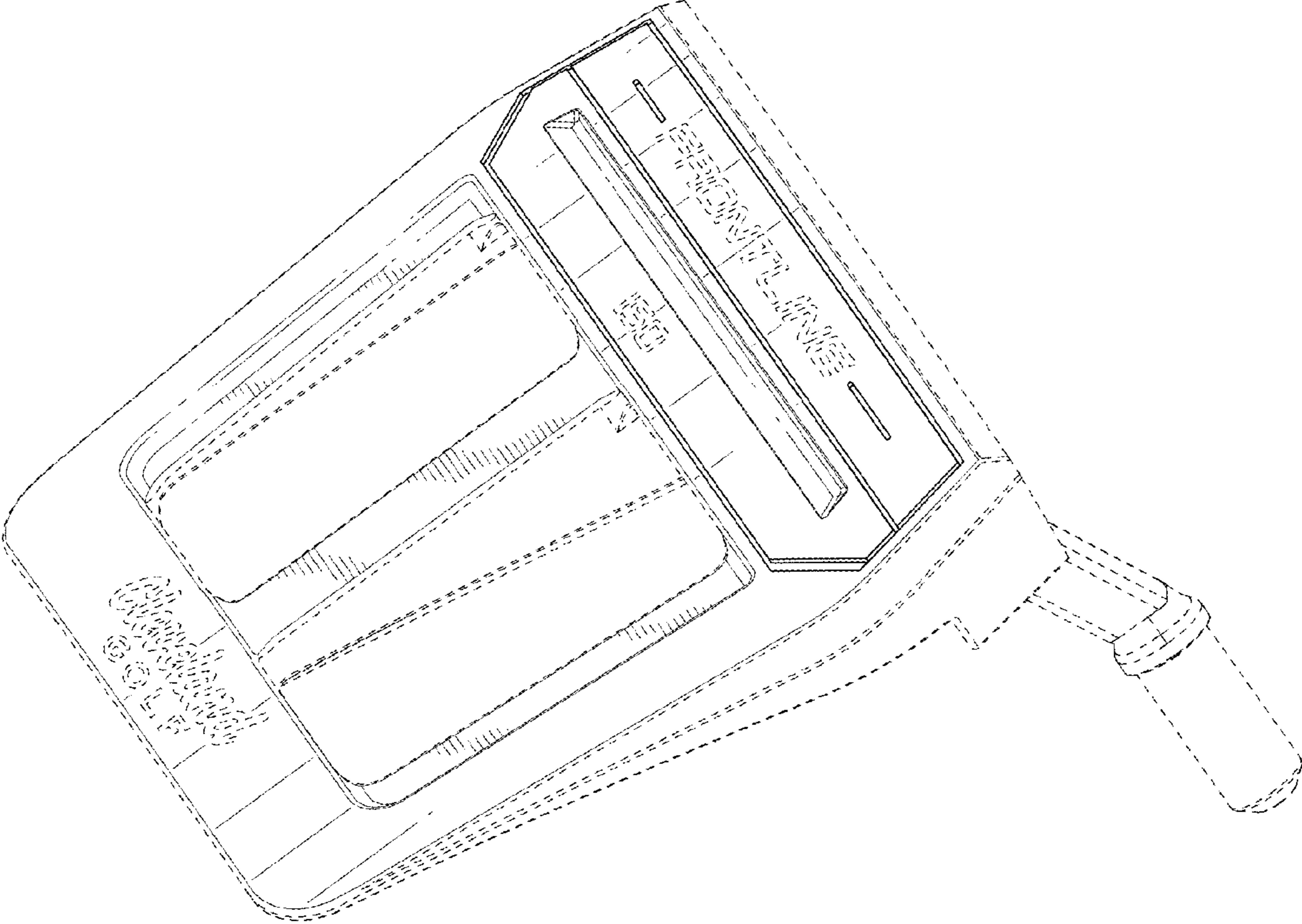


FIG. 1

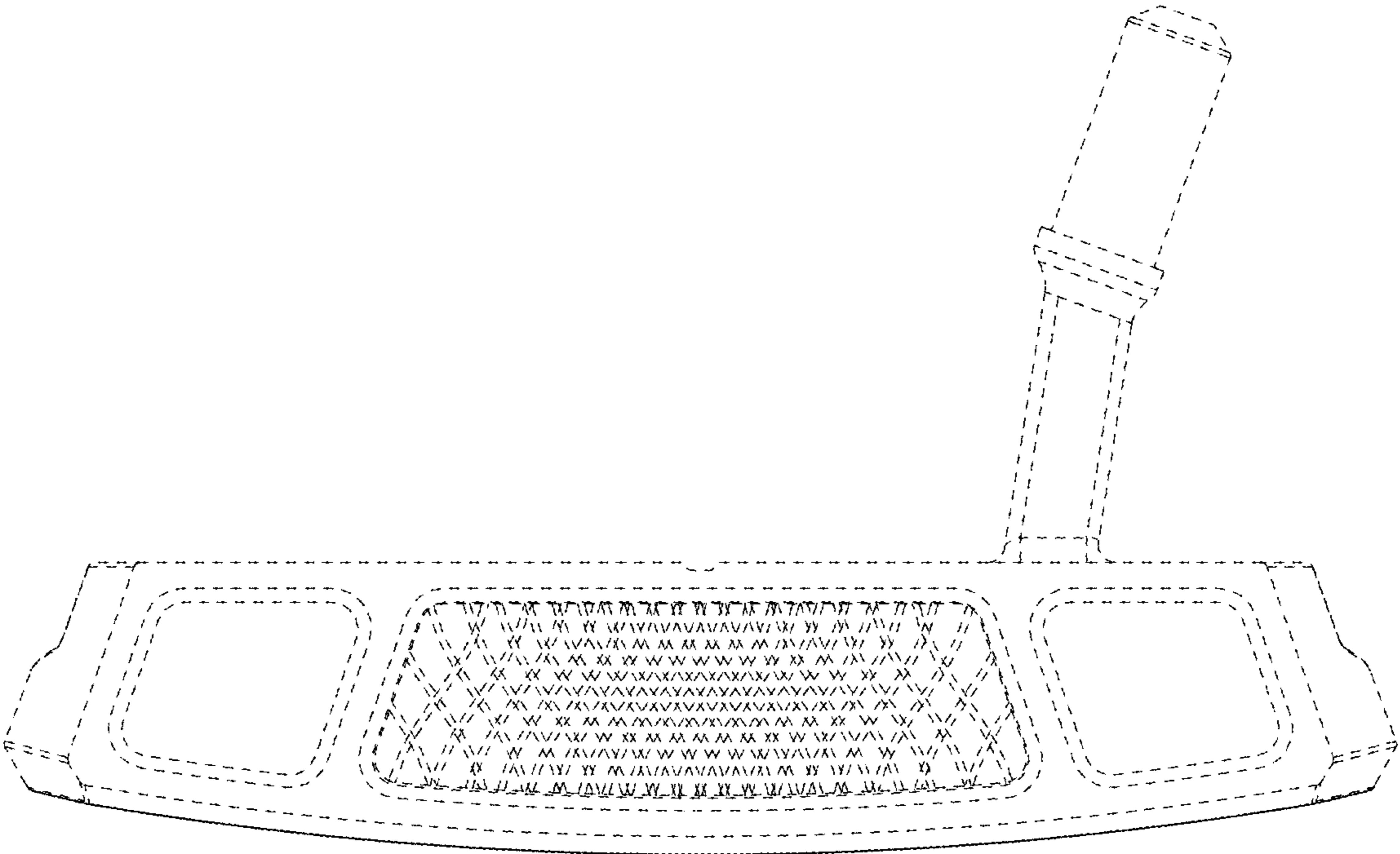


FIG. 2

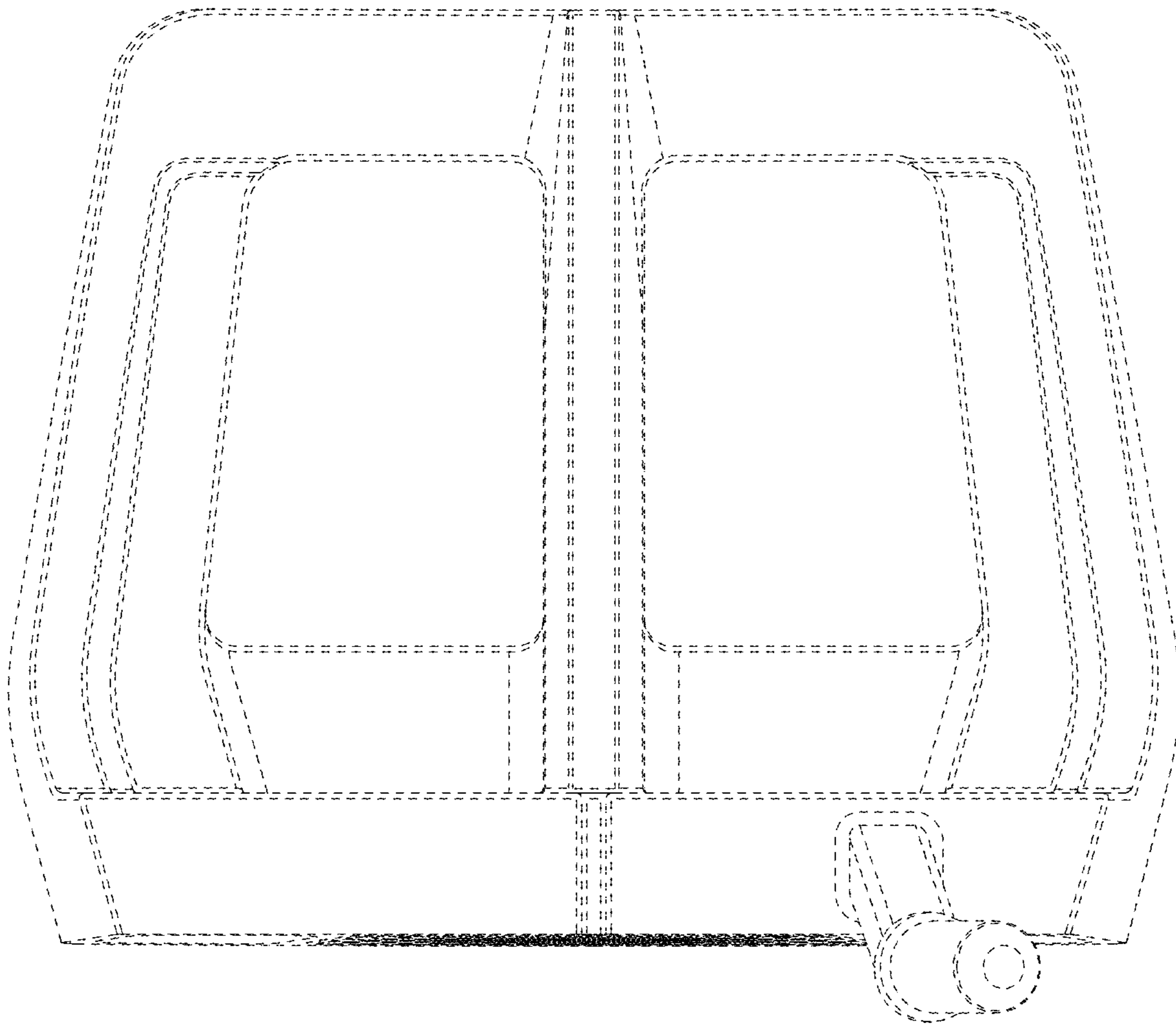


FIG. 3

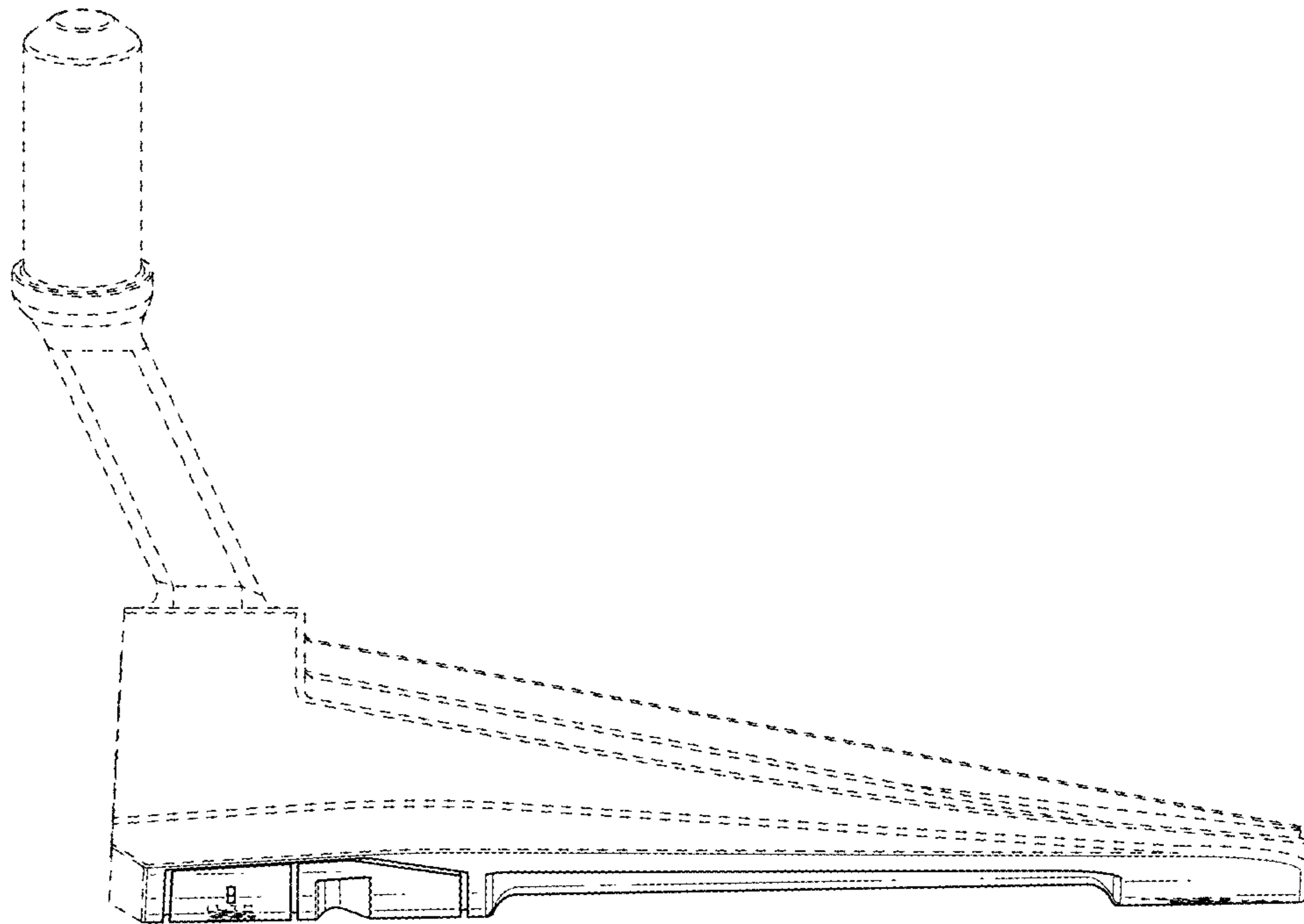


FIG. 4

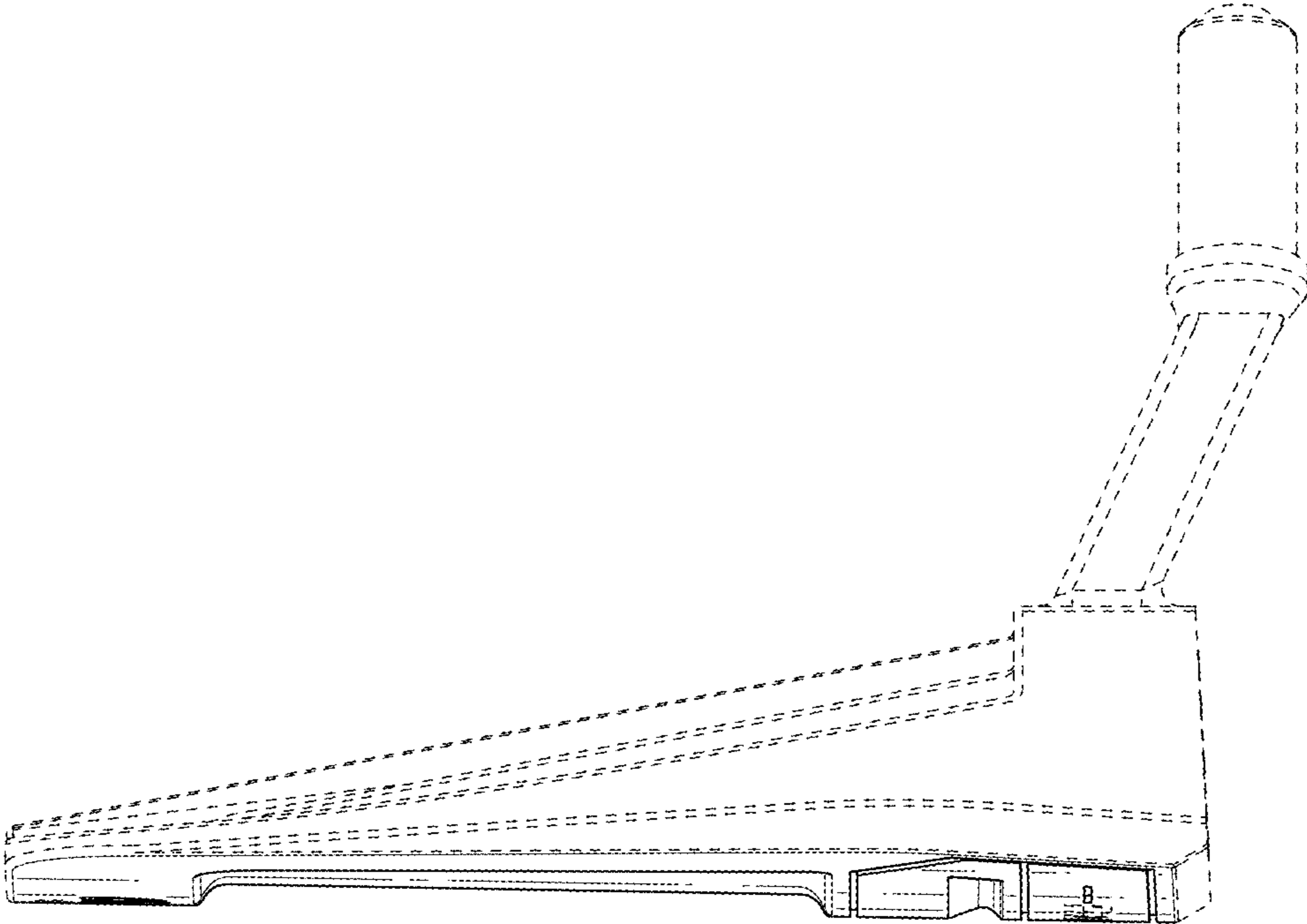


FIG. 5

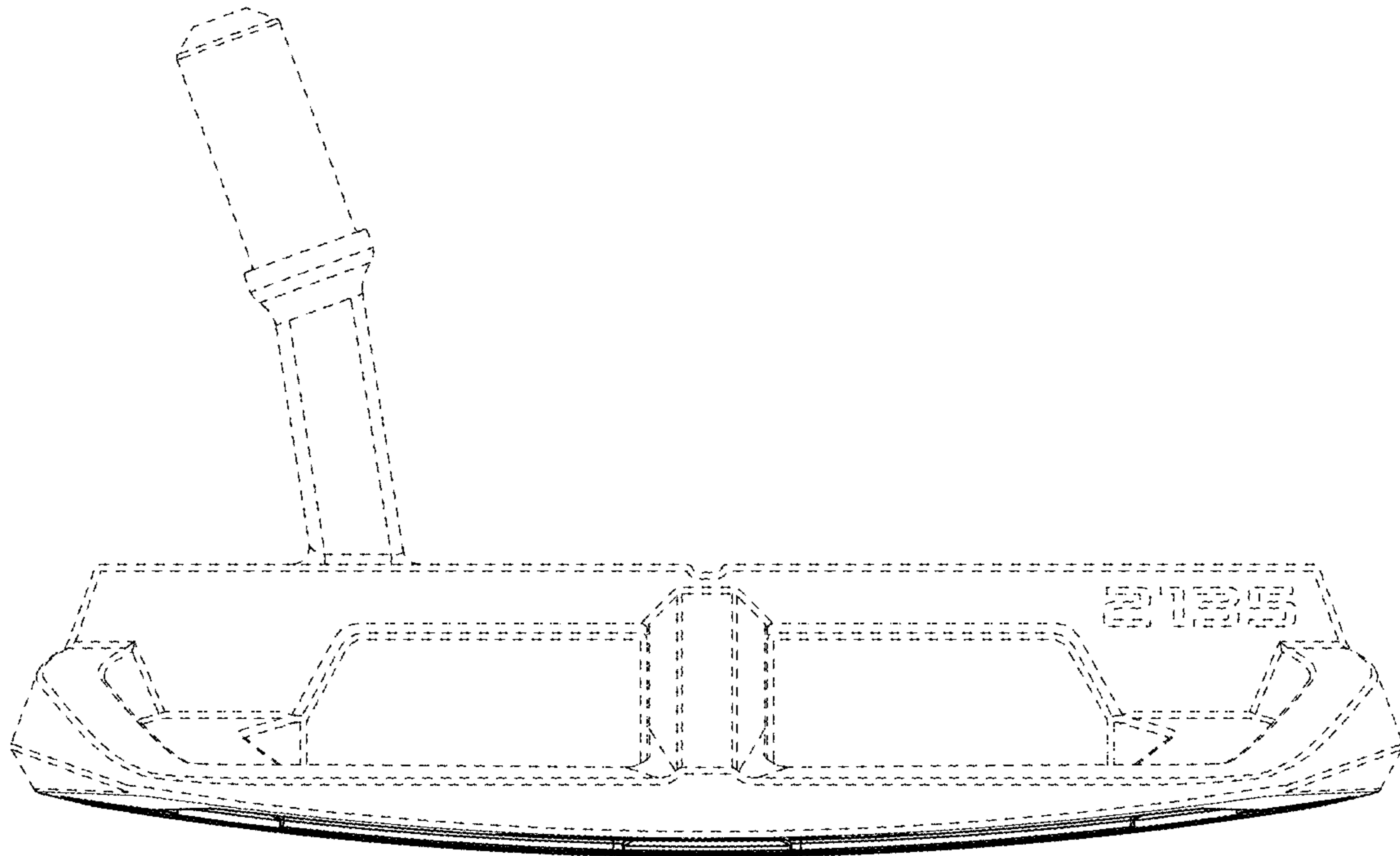


FIG. 6

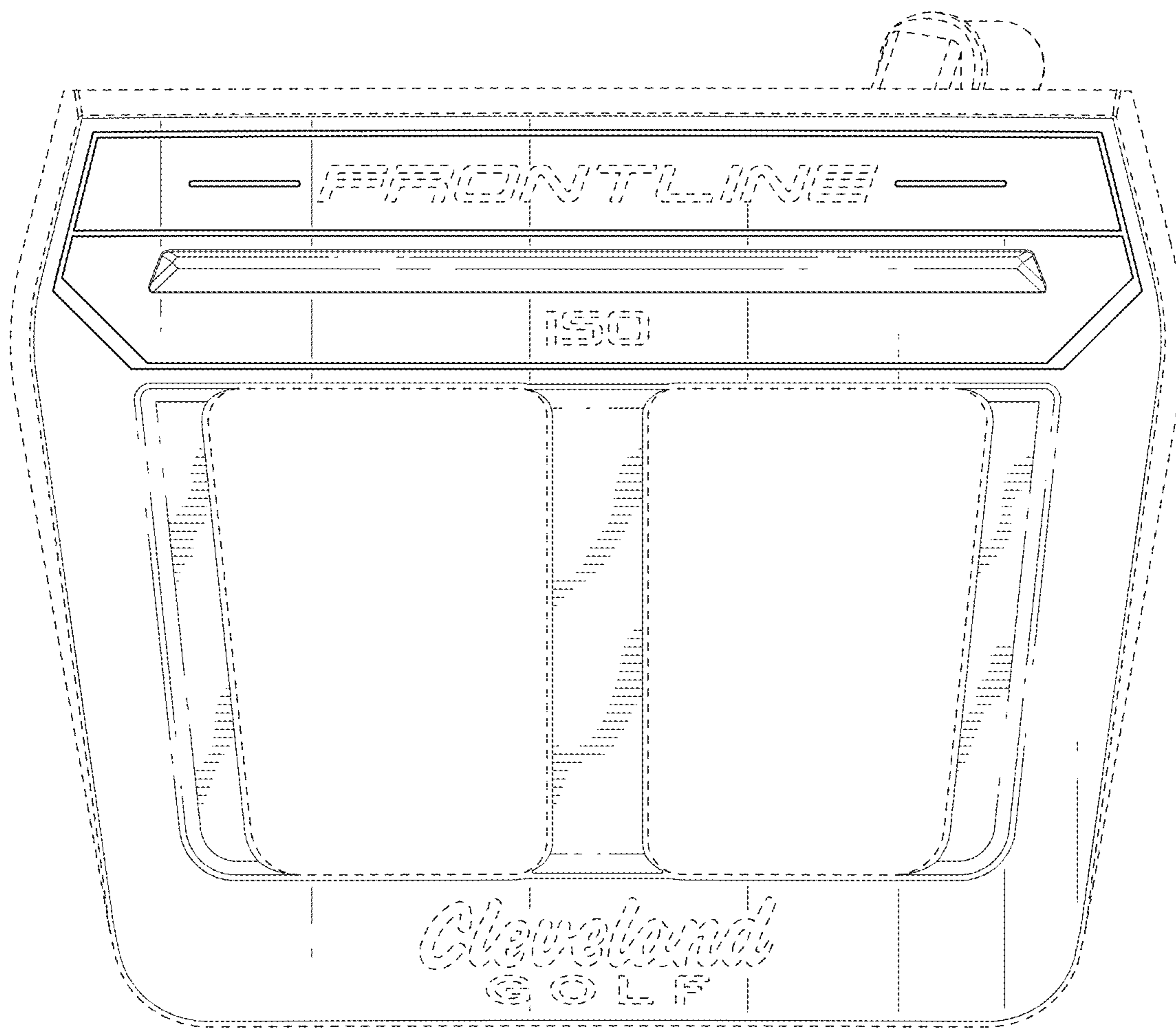


FIG. 7

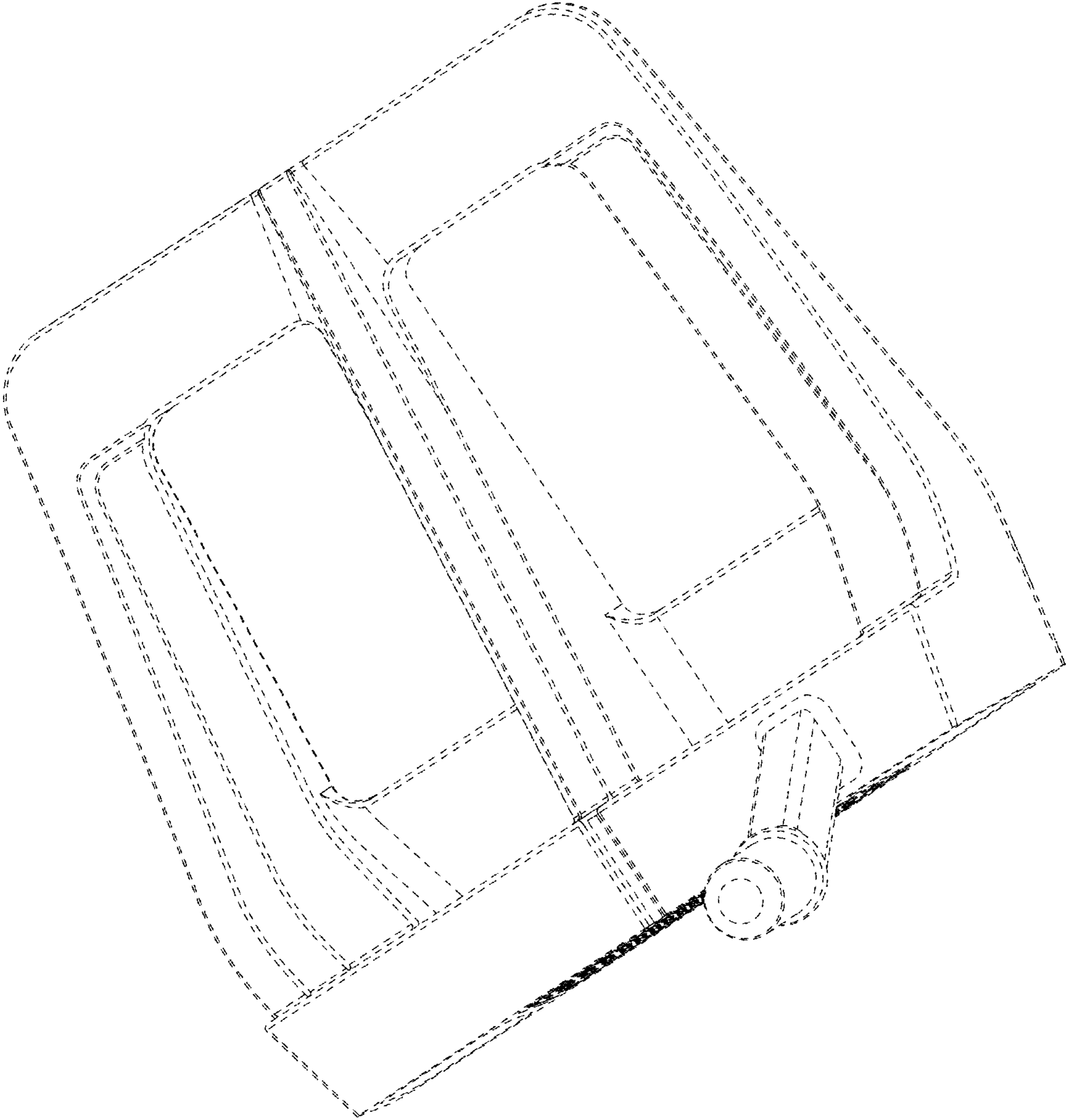


FIG.8