



US00D906458S

(12) **United States Design Patent** (10) **Patent No.:** **US D906,458 S**
Agrella et al. (45) **Date of Patent:** **** Dec. 29, 2020**

(54) **GOLF CLUB HEAD**
(71) Applicant: **SUMITOMO RUBBER INDUSTRIES, LTD.**, Kobe (JP)
(72) Inventors: **Alexandra Agrella**, Huntington Beach, CA (US); **Phillip C. Seagram**, Long Beach, CA (US); **Darius Cyrulik**, Alhambra, CA (US)
(73) Assignee: **SUMITOMO RUBBER INDUSTRIES, LTD.**, Kobe (JP)
(**) Term: **15 Years**
(21) Appl. No.: **29/695,765**
(22) Filed: **Jun. 21, 2019**
(51) **LOC (12) Cl.** **21-02**
(52) **U.S. Cl.**
USPC **D21/759**
(58) **Field of Classification Search**
USPC D21/736-746, 759
CPC A63B 53/00; A63B 53/04; A63B 53/007; A63B 53/065; A63B 53/0487; A63B 60/00; A63B 60/46
See application file for complete search history.

(56) **References Cited**
U.S. PATENT DOCUMENTS
D447,203 S * 8/2001 Sanchez D21/759
D447,204 S * 8/2001 Solheim D21/759
D448,440 S * 9/2001 Solheim D21/759
D454,170 S * 3/2002 Petersen D21/759
D454,379 S * 3/2002 Solheim D21/759

D456,868 S * 5/2002 Solheim D21/759
D500,823 S * 1/2005 Aldrich D21/759
D549,795 S * 8/2007 Rollinson D21/759
D639,361 S * 6/2011 Reinberg D21/736
D639,367 S * 6/2011 Reinberg D21/759
D639,369 S * 6/2011 Miyamichi D21/759
D796,598 S * 9/2017 Serrano D21/736
D802,073 S * 11/2017 Toulon D21/759
9,987,530 B2 * 6/2018 Jertson A63B 53/0487
10,173,105 B2 * 1/2019 Myers A63B 53/0487
D874,589 S * 2/2020 Parente D21/736
10,632,352 B2 * 4/2020 Lambeth A63B 53/0487
D893,655 S * 8/2020 Schweigert D21/759
10,737,153 B2 * 8/2020 Schweigert A63B 53/0487
2016/0016050 A1 * 1/2016 Rife A63B 53/0487
473/331
2018/0311545 A1 * 11/2018 Lambeth A63B 53/04

* cited by examiner

Primary Examiner — Mitchell I. Siegel
(74) *Attorney, Agent, or Firm* — Oliff PLC

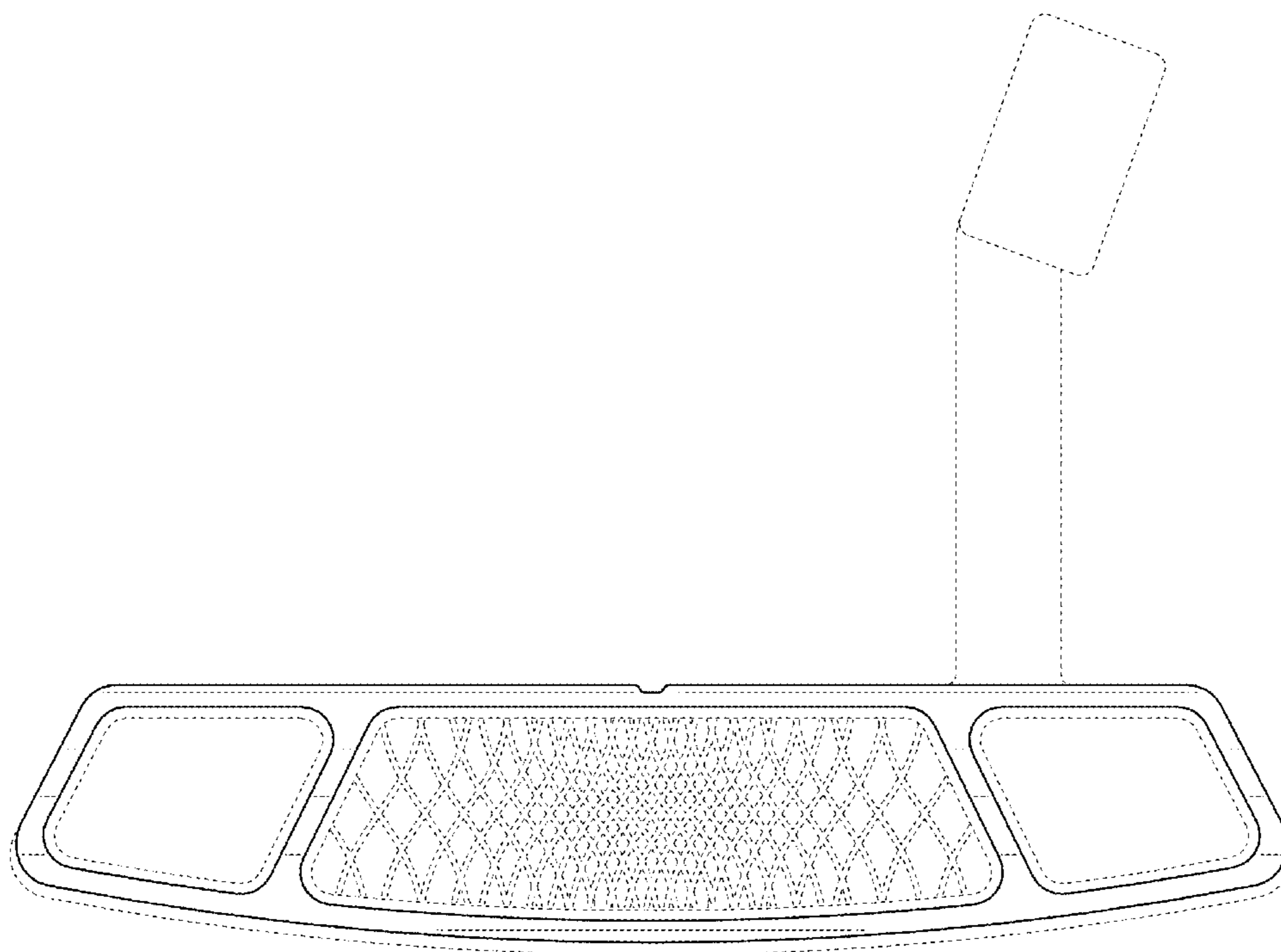
(57) **CLAIM**

The ornamental design for a golf club head, as shown and described.

DESCRIPTION

FIG. 1 is a front, heel-side, perspective view of the golf club head;
FIG. 2 is a front elevational view thereof;
FIG. 3 is a toe-side elevational view thereof;
FIG. 4 is a heel-side elevational view thereof; and,
FIG. 5 is a top plan view thereof.
The broken lines depict parts of the golf club head that form no part of the claimed design.

1 Claim, 4 Drawing Sheets



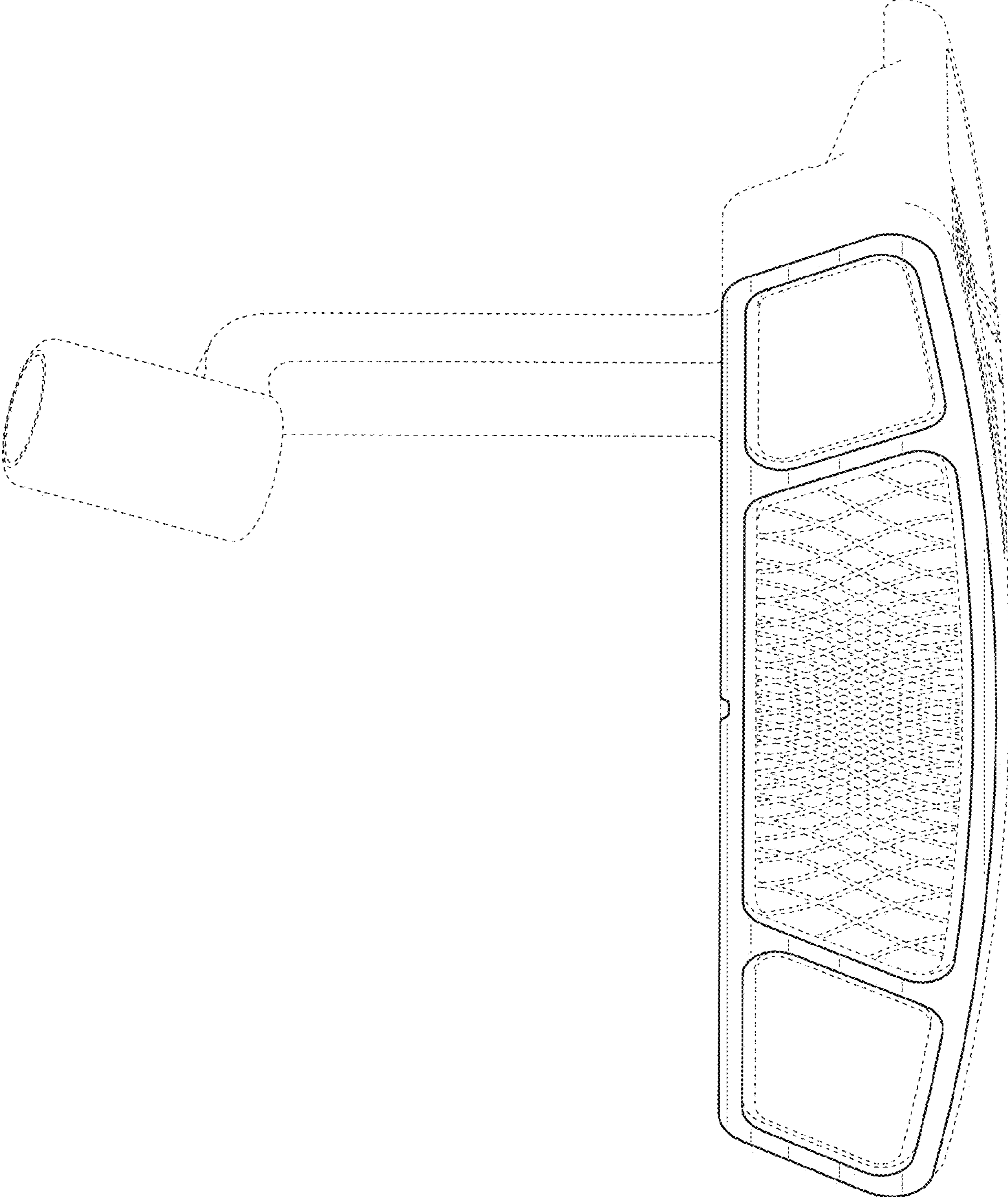


FIG. 1

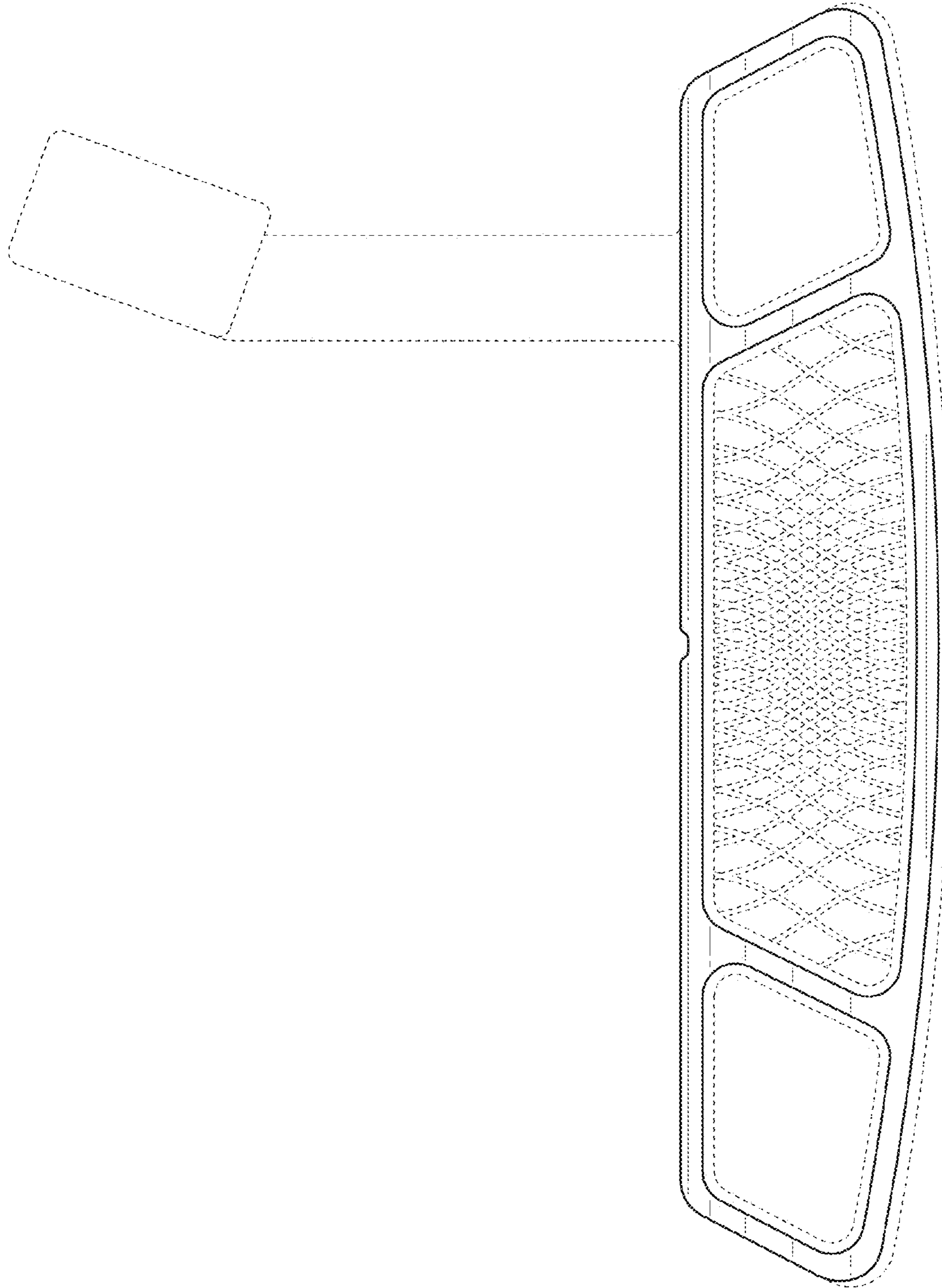


FIG. 2

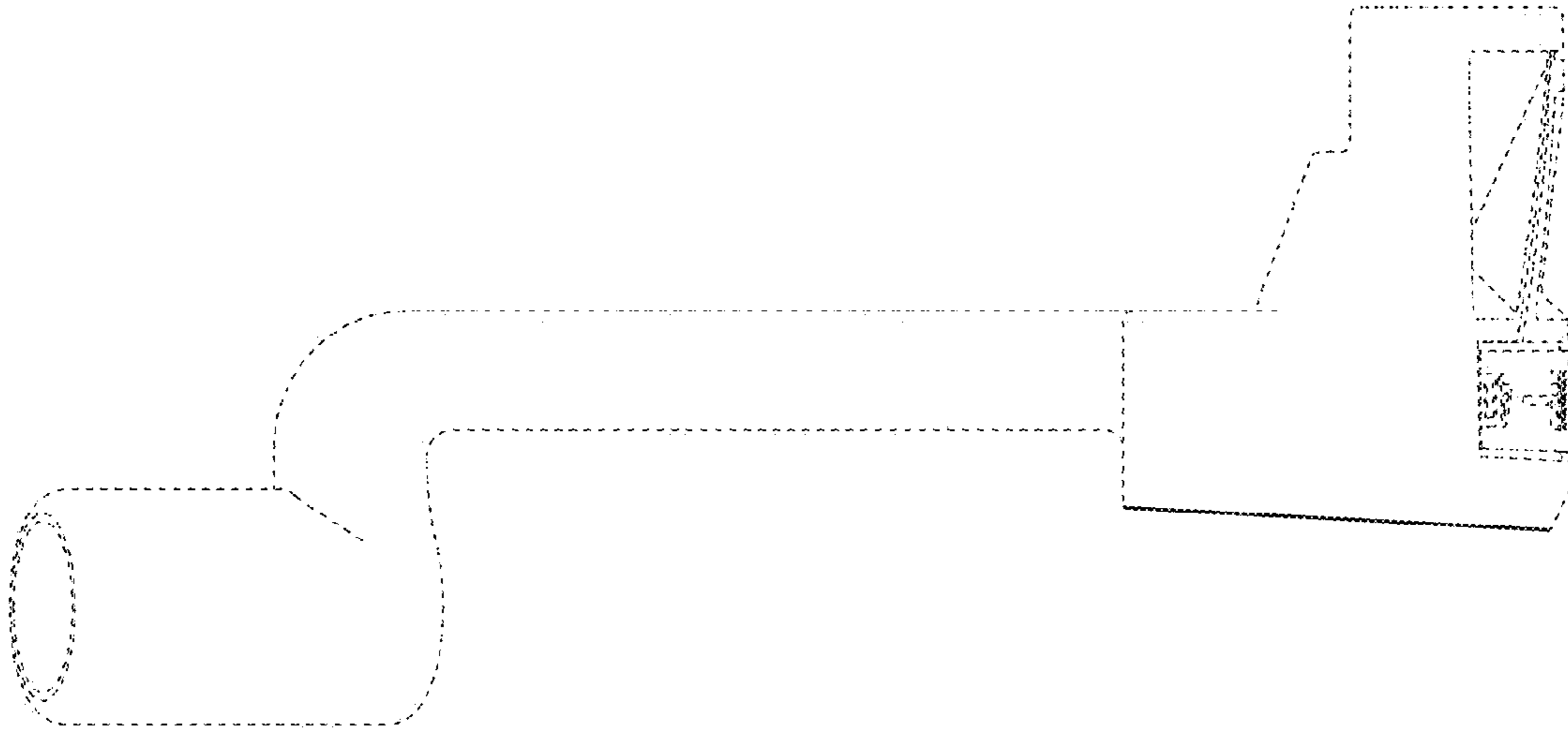


FIG. 4

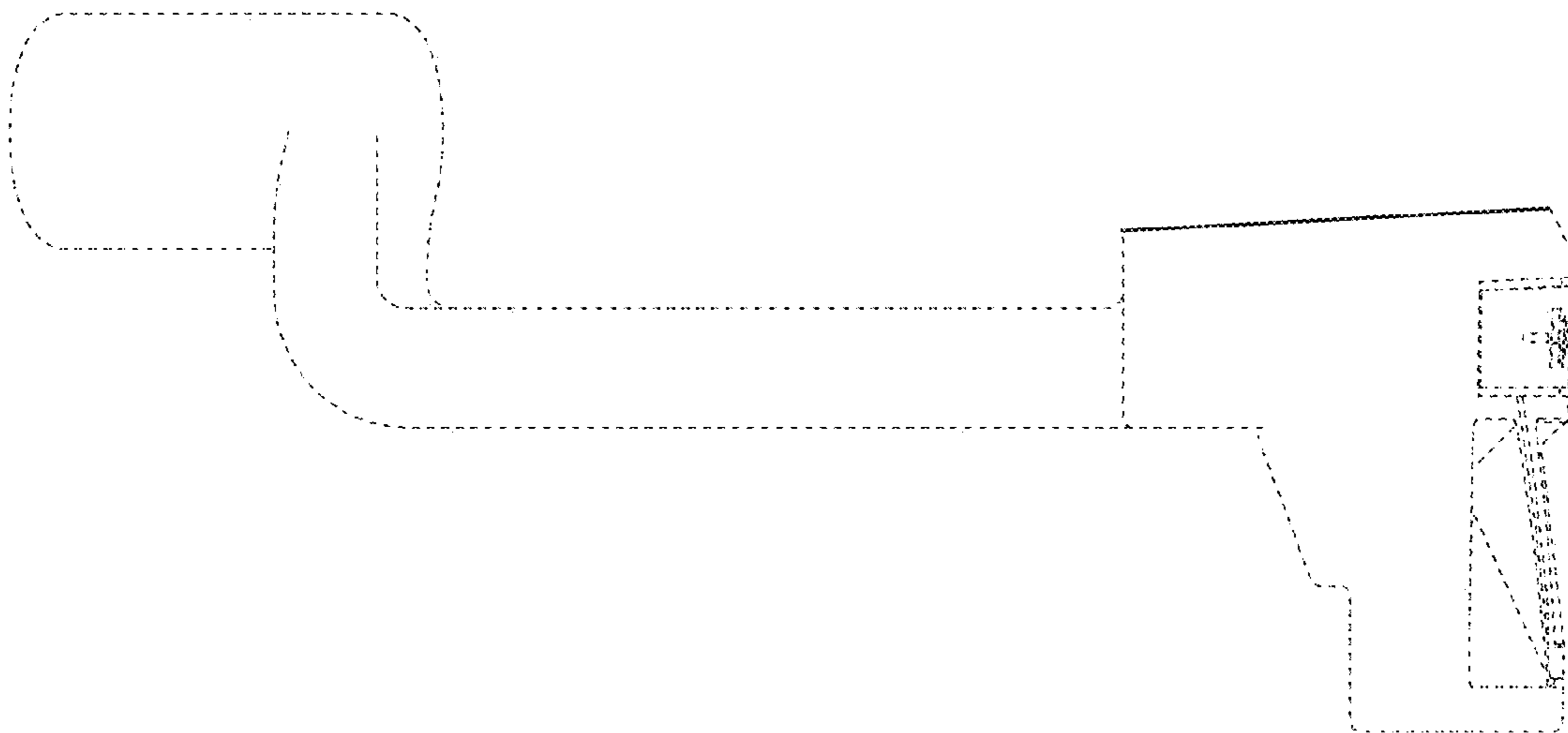


FIG. 3

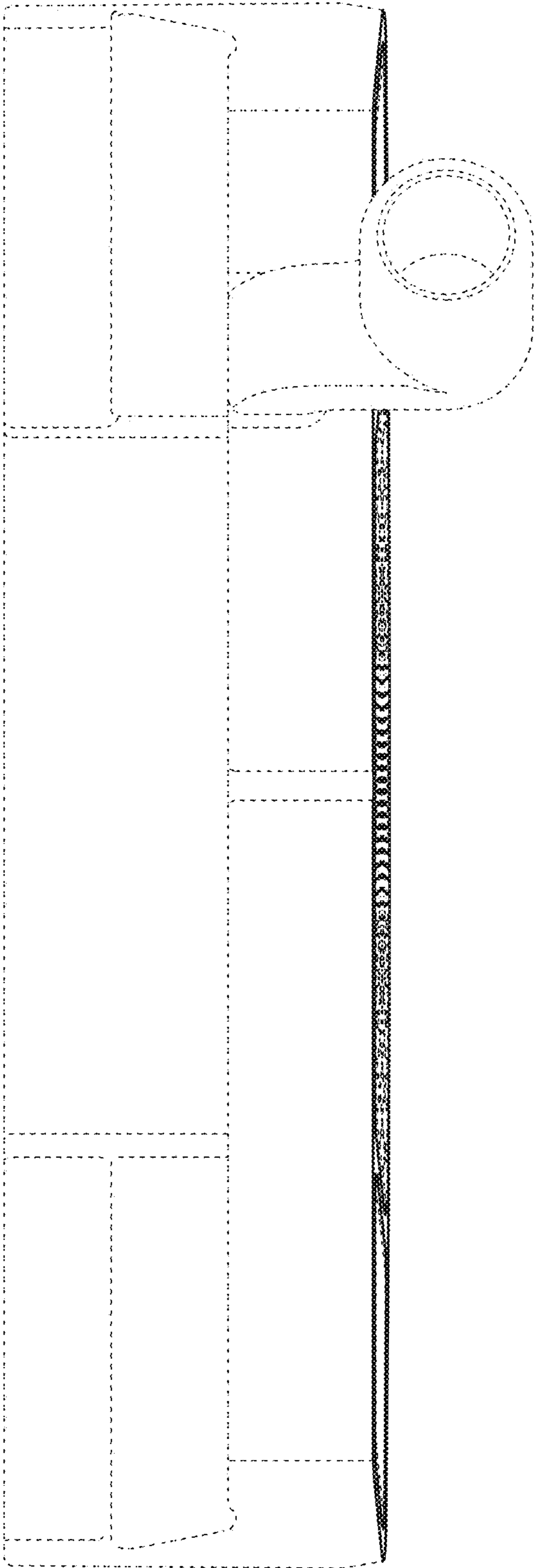


FIG. 5