



US00D906457S

(12) **United States Design Patent** (10) **Patent No.:** **US D906,457 S**
Lambeth et al. (45) **Date of Patent:** **** Dec. 29, 2020**

(54) **FACE INSERT FOR GOLF CLUB HEAD**

(71) Applicant: **SUMITOMO RUBBER INDUSTRIES, LTD.**, Kobe (JP)

(72) Inventors: **Jacob Lambeth**, Irvine, CA (US);
Mika Becktor, Costa Mesa, CA (US)

(73) Assignee: **SUMITOMO RUBBER INDUSTRIES, LTD.**, Kobe (JP)

(**) Term: **15 Years**

(21) Appl. No.: **29/695,759**

(22) Filed: **Jun. 21, 2019**

(51) **LOC (12) Cl.** **21-02**

(52) **U.S. Cl.**
USPC **D21/759**

(58) **Field of Classification Search**
USPC D21/736-746, 759
CPC A63B 53/00; A63B 53/04; A63B 53/007;
A63B 53/065; A63B 53/0487; A63B
60/00; A63B 60/46
See application file for complete search history.

(56) **References Cited**

U.S. PATENT DOCUMENTS

D447,203	S	*	8/2001	Sanchez	D21/759
D447,204	S	*	8/2001	Solheim	D21/759
D448,440	S	*	9/2001	Solheim	D21/759
D454,170	S	*	3/2002	Petersen	D21/759
D454,379	S	*	3/2002	Solheim	D21/759
D456,868	S	*	5/2002	Solheim	D21/759
D500,823	S	*	1/2005	Aldrich	D21/759
D549,795	S	*	8/2007	Rollinson	D21/759
D639,361	S	*	6/2011	Reinberg	D21/736
D639,367	S	*	6/2011	Reinberg	D21/759
D639,369	S	*	6/2011	Miyamichi	D21/759
D796,598	S	*	9/2017	Serrano	D21/736

D802,073	S	*	11/2017	Toulon	D21/759
9,987,530	B2	*	6/2018	Jertson	A63B 53/0487
10,173,105	B2	*	1/2019	Myers	A63B 53/0487
D874,589	S	*	2/2020	Parente	D21/736
10,632,352	B2	*	4/2020	Lambeth	A63B 53/0487
D893,655	S	*	8/2020	Schweigert	D21/759
10,737,153	B2	*	8/2020	Schweigert	A63B 53/0487
2016/0016050	A1	*	1/2016	Rife	A63B 53/0487 473/331
2018/0311545	A1	*	11/2018	Lambeth	A63B 53/04

* cited by examiner

Primary Examiner — Mitchell I. Siegel

(74) *Attorney, Agent, or Firm* — Oliff PLC

(57) **CLAIM**

The ornamental design for a face insert for golf club head, as shown and described.

DESCRIPTION

FIG. 1 is a front elevational view of a first embodiment of the face insert for golf club head;

FIG. 2 is a cross sectional view thereof taken along line 2-2 in FIG. 1;

FIG. 3 is cross sectional view thereof taken along line 3-3 in FIG. 1; and

FIG. 4 is an enlarged view of area 4 in FIG. 2.

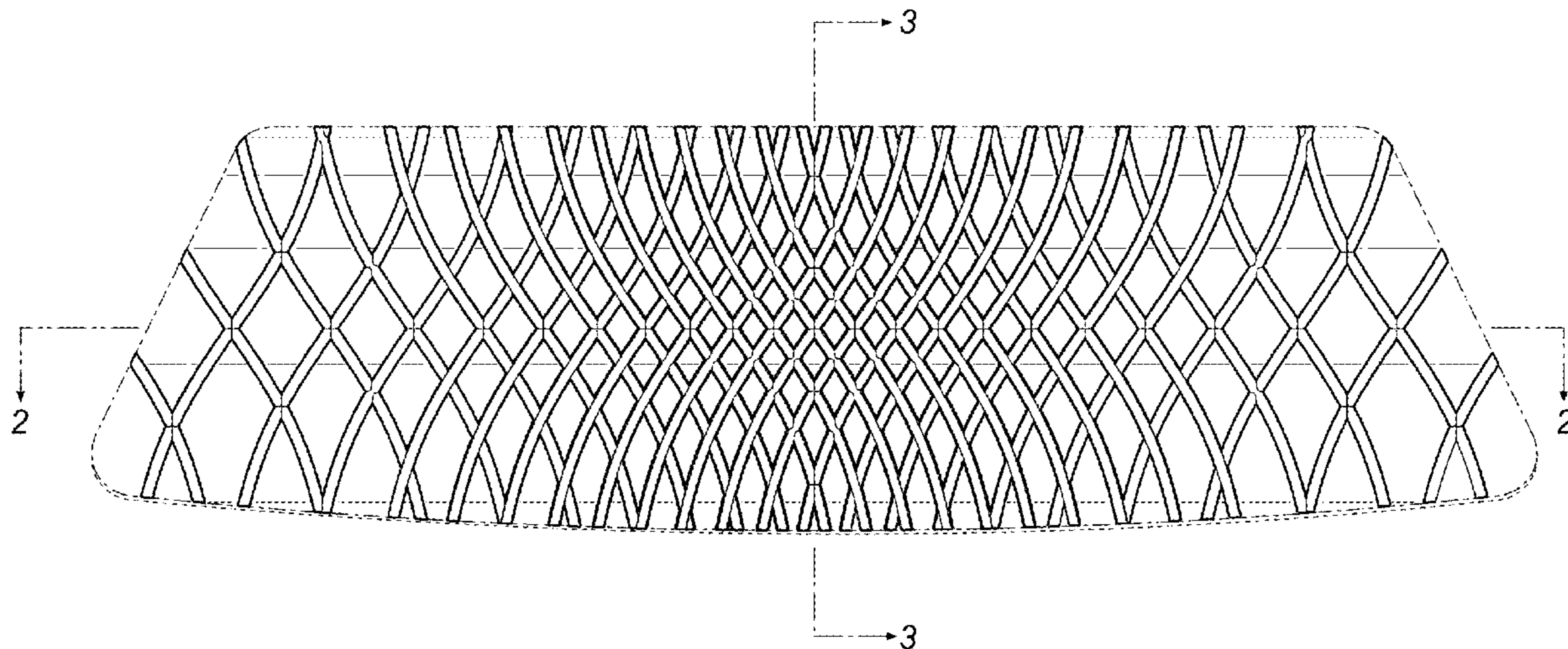
FIG. 5 is a front elevational view of a second embodiment of the face insert for golf club head;

FIG. 6 is a top plan view thereof; and,

FIG. 7 is an enlarged view of area 7 in FIG. 6.

The broken lines depict parts of the face insert that form no part of the claimed design. The dot-dash chain lines depict boundaries of the claimed subject matter and form no part of the claimed subject matter. The dot-dot-dash chain lines depict cross-section lines and enlargement areas and form no part of the claimed subject matter.

1 Claim, 4 Drawing Sheets



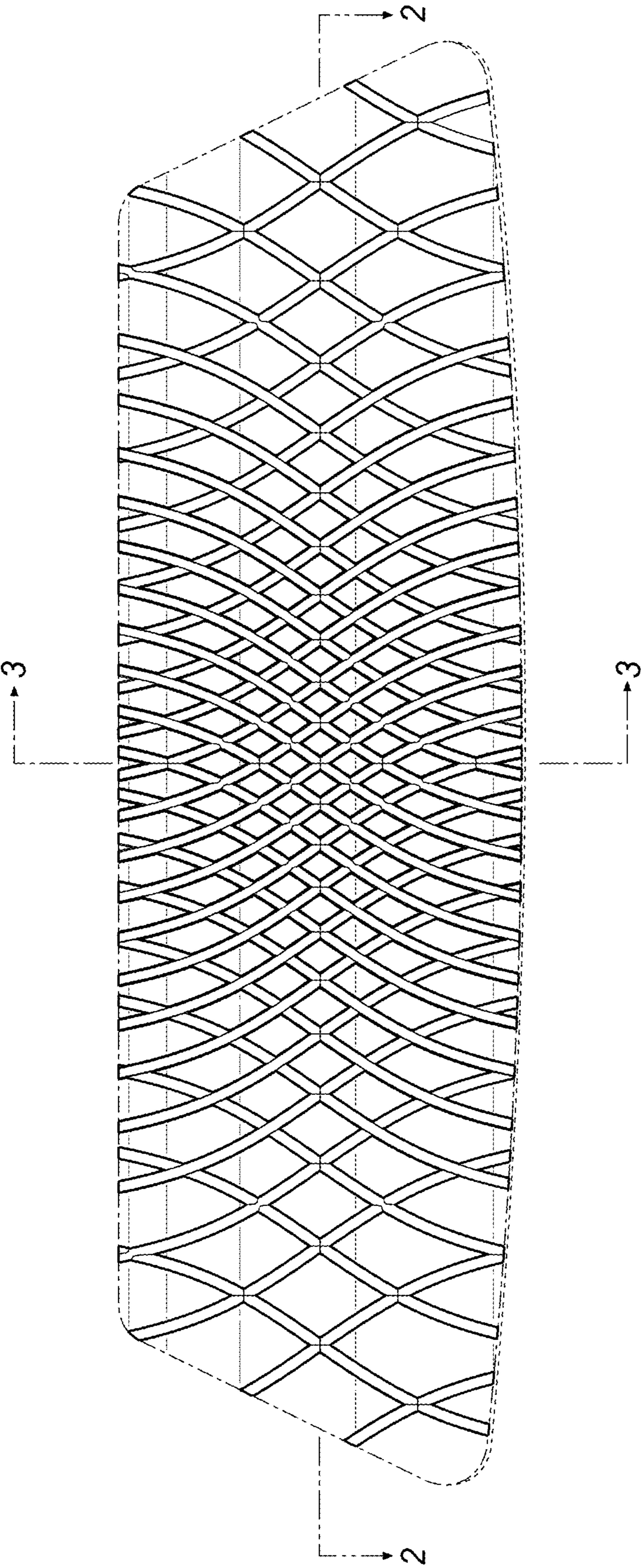


FIG. 1

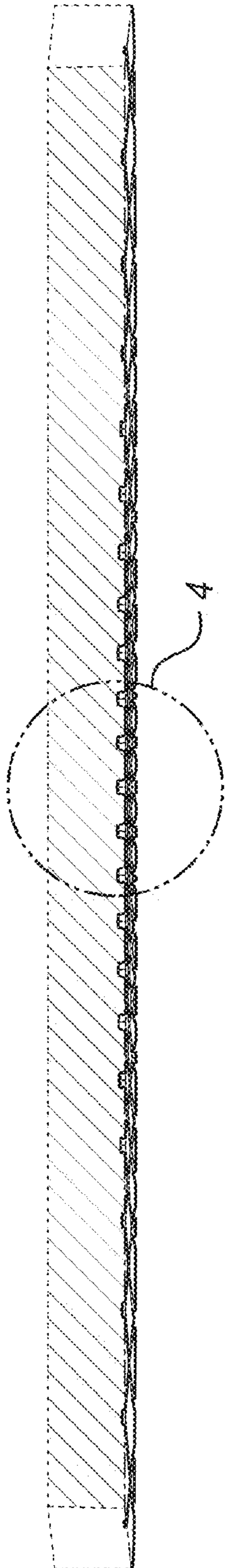


FIG. 2

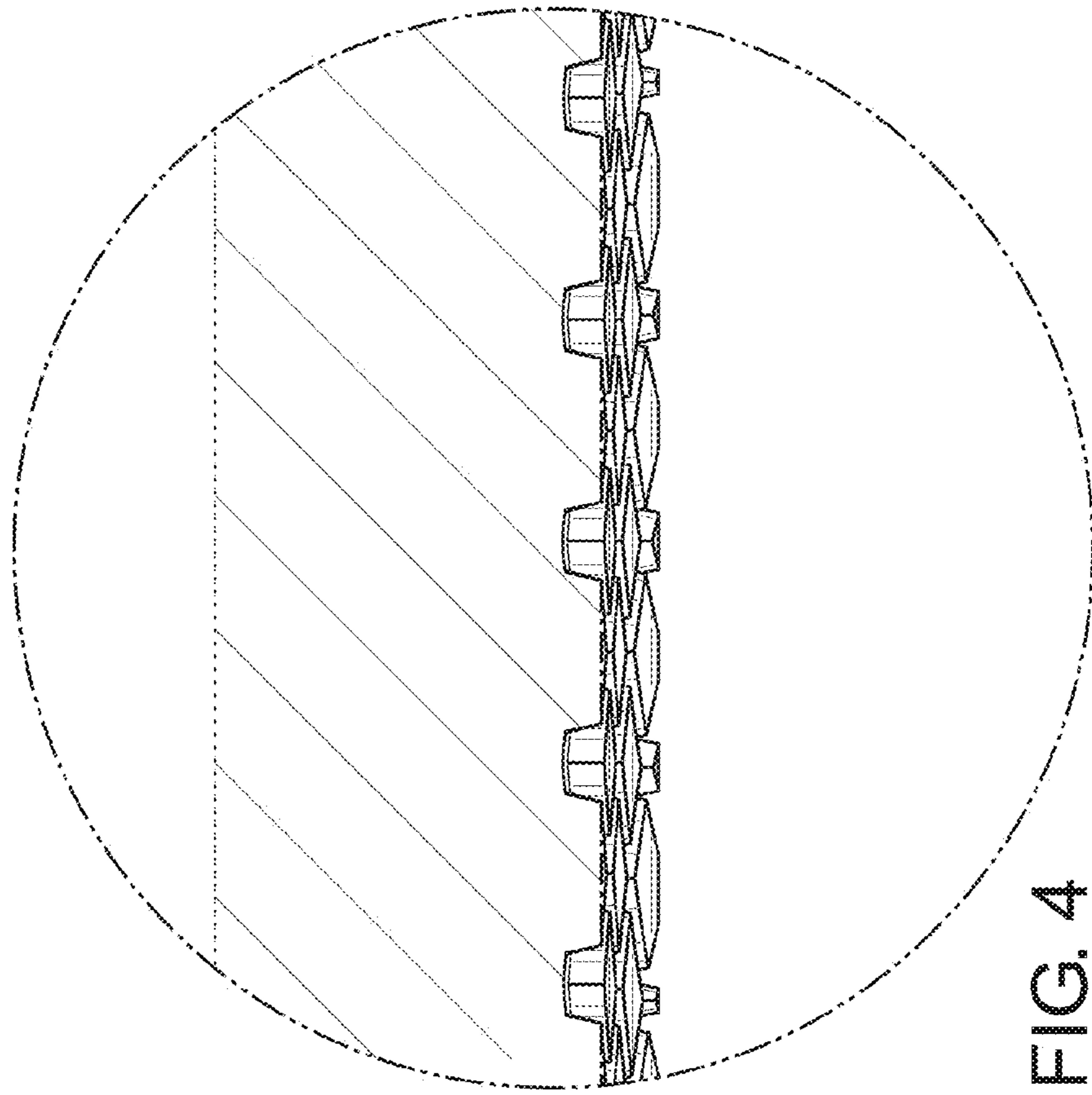


FIG. 4

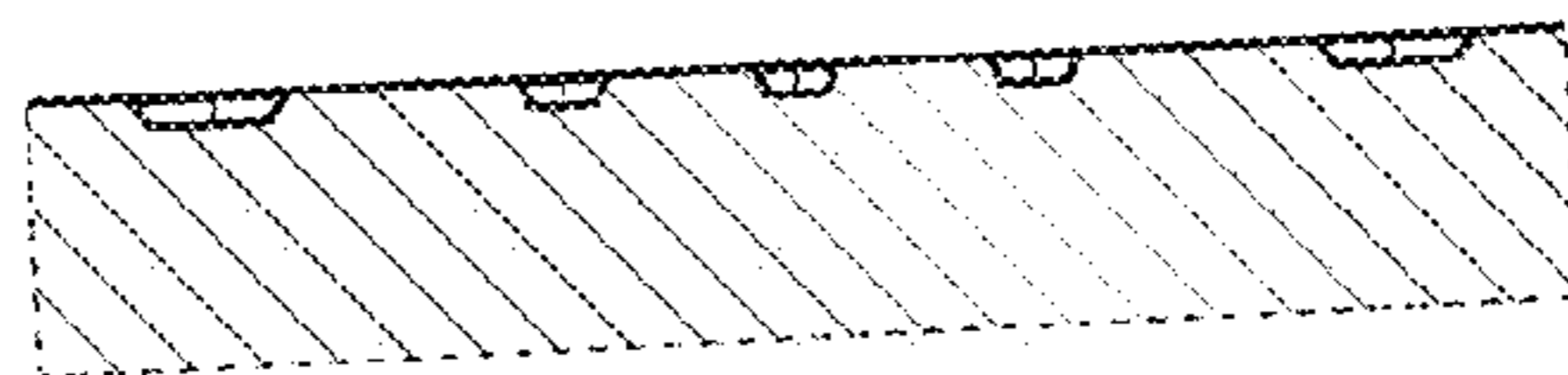


FIG. 3

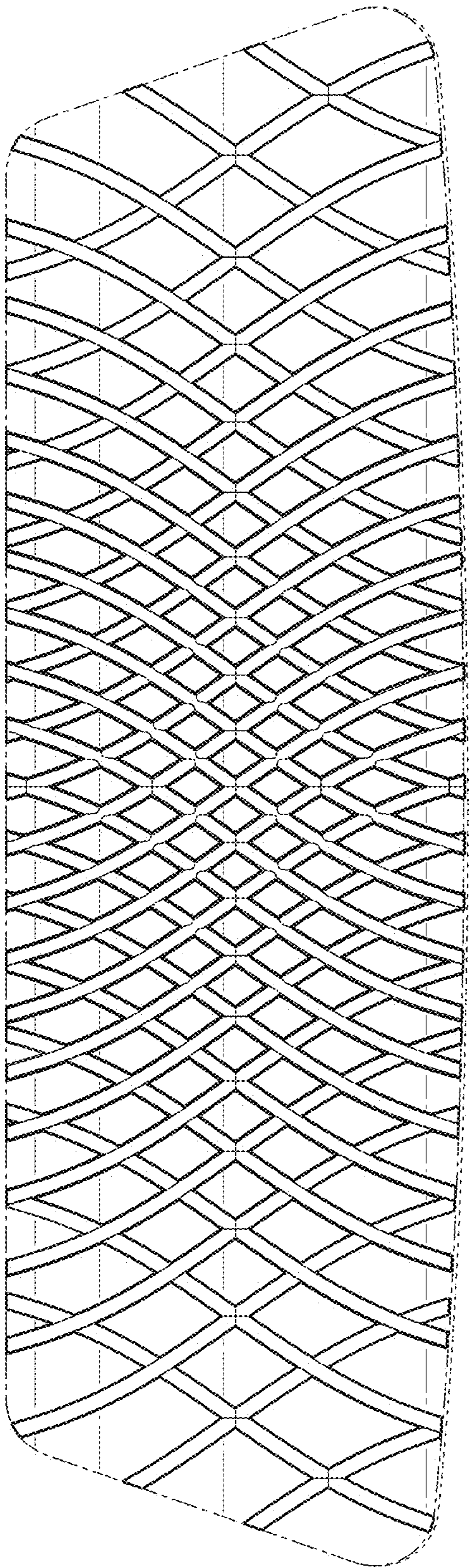


FIG. 5

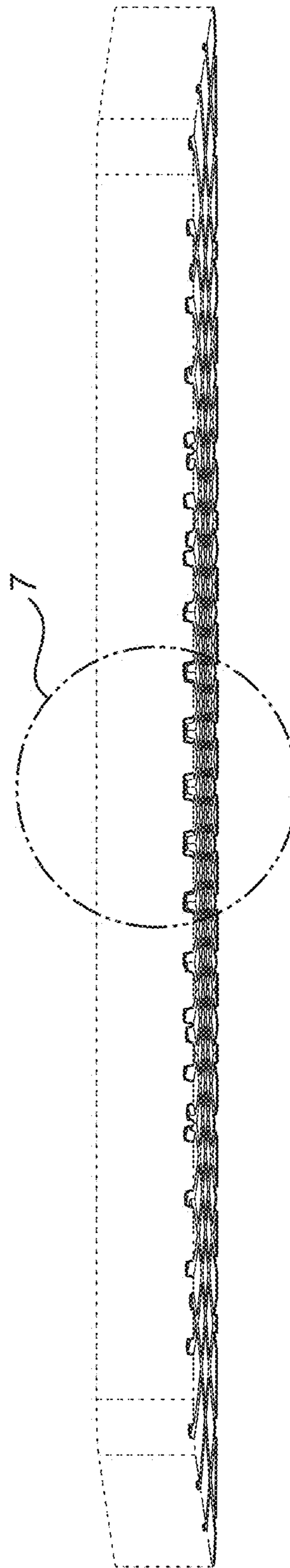


FIG. 6

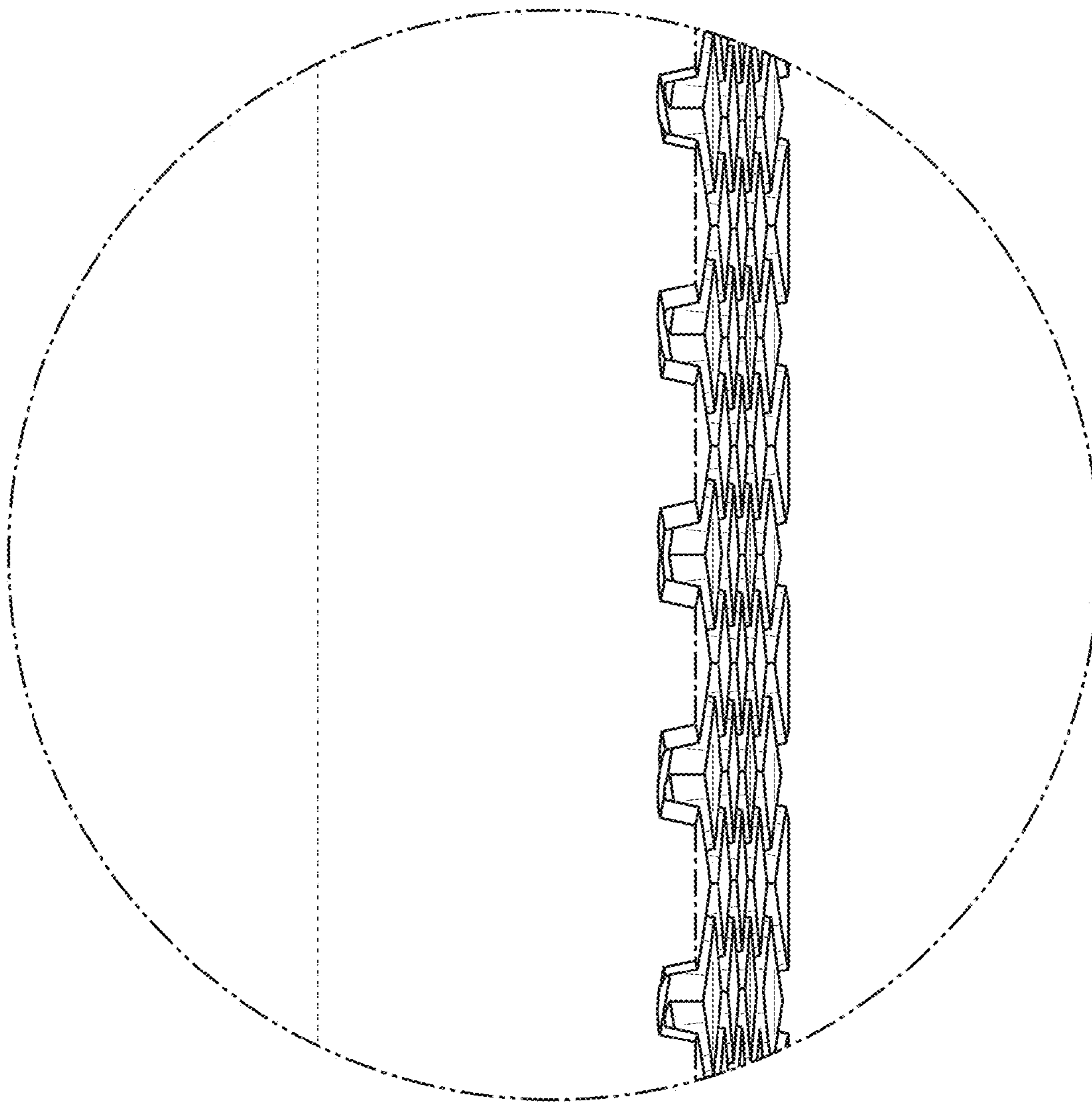


FIG. 7