



US00D906456S

(12) **United States Design Patent**
Cyrulik et al.

(10) **Patent No.:** **US D906,456 S**

(45) **Date of Patent:** **** Dec. 29, 2020**

- (54) **GOLF CLUB HEAD**
- (71) Applicant: **SUMITOMO RUBBER INDUSTRIES, LTD.**, Kobe (JP)
- (72) Inventors: **Darius Cyrulik**, Alhambra, CA (US); **Alexandra Agrella**, Huntington Beach, CA (US); **Phillip C. Seagram**, Long Beach, CA (US)
- (73) Assignee: **SUMITOMO RUBBER INDUSTRIES, LTD.**, Kobe (JP)

D661,754 S *	6/2012	Cameron	D21/759
D707,771 S *	6/2014	Cameron	D21/759
D730,465 S *	5/2015	Cameron	D21/759
D762,274 S *	7/2016	Cardani	D21/759
D764,611 S *	8/2016	Cardani	D21/759
D774,607 S *	12/2016	Serrano	D21/743
D776,218 S *	1/2017	Seagram	D21/759
D777,275 S *	1/2017	Seagram	D21/759
D861,092 S *	9/2019	Glorioso	D21/743
D877,829 S *	3/2020	Cameron	D21/736
D879,222 S *	3/2020	Serrano	D21/742

* cited by examiner

(**) Term: **15 Years**

Primary Examiner — Mitchell I. Siegel

(21) Appl. No.: **29/695,756**

(74) *Attorney, Agent, or Firm* — Oliff PLC

(22) Filed: **Jun. 21, 2019**

(57) **CLAIM**

(51) **LOC (12) Cl.** **21-02**

The ornamental design for a golf club head, as shown and described.

(52) **U.S. Cl.**
USPC **D21/759**

DESCRIPTION

(58) **Field of Classification Search**
USPC D21/736–746, 759
CPC A63B 53/00; A63B 53/04; A63B 53/007;
A63B 53/065; A63B 53/0487; A63B
60/00; A63B 60/46
See application file for complete search history.

FIG. 1 is a bottom, front perspective view of the golf club head;
FIG. 2 is a bottom plan view thereof;
FIG. 3 is a front elevational view thereof;
FIG. 4 is a toe-side elevational view thereof;
FIG. 5 is a heel-side elevational view thereof;
FIG. 6 is a rear elevational view thereof; and,
FIG. 7 is a top plan view thereof.

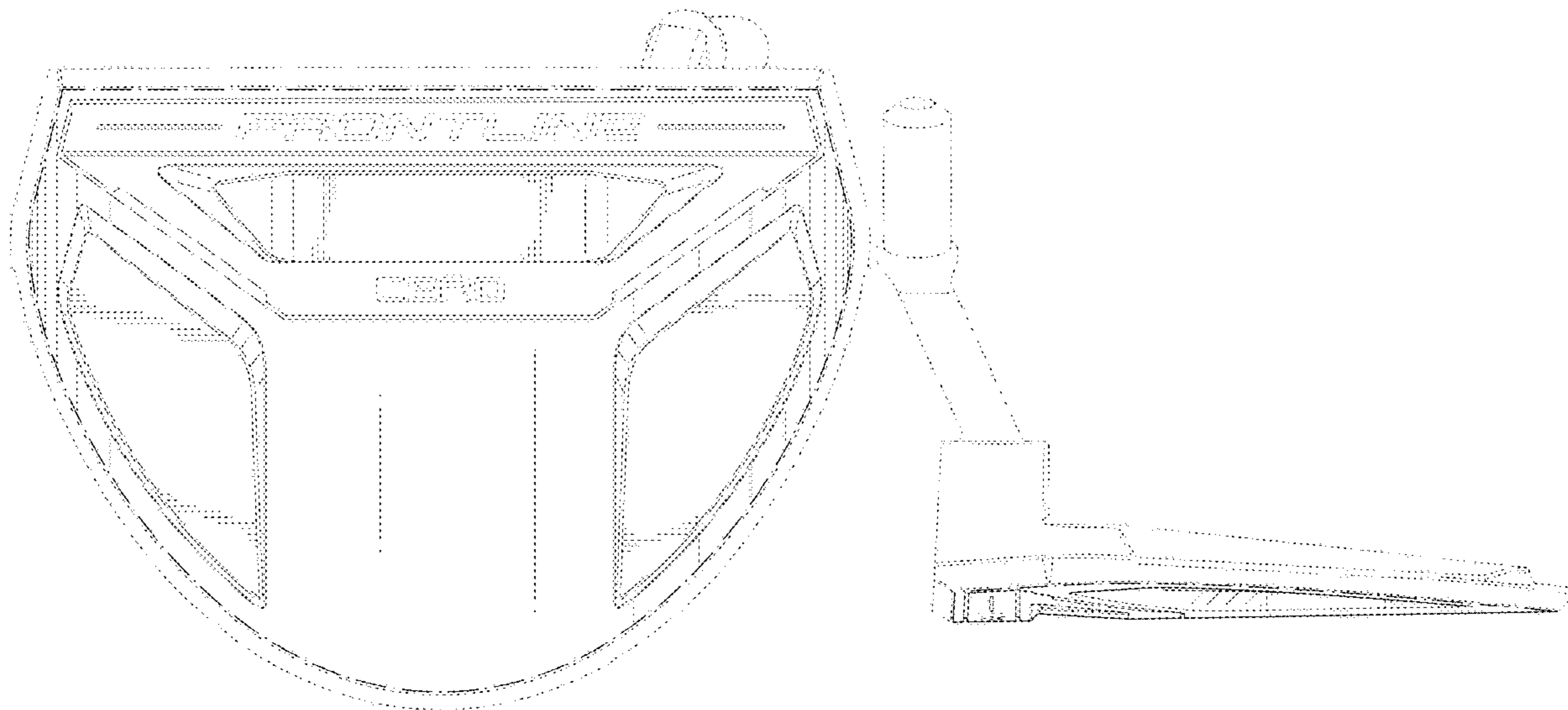
(56) **References Cited**

The broken lines depict parts of the golf club head that form no part of the claimed design. The dot-dash chain lines depict boundaries of the claimed subject matter and form no part of the claimed design.

U.S. PATENT DOCUMENTS

D413,951 S *	9/1999	Storer	D21/744
D515,647 S *	2/2006	Morgulis	D21/743
D574,050 S *	7/2008	Jones	D21/759
D642,643 S *	8/2011	Nicolette	D21/759

1 Claim, 7 Drawing Sheets



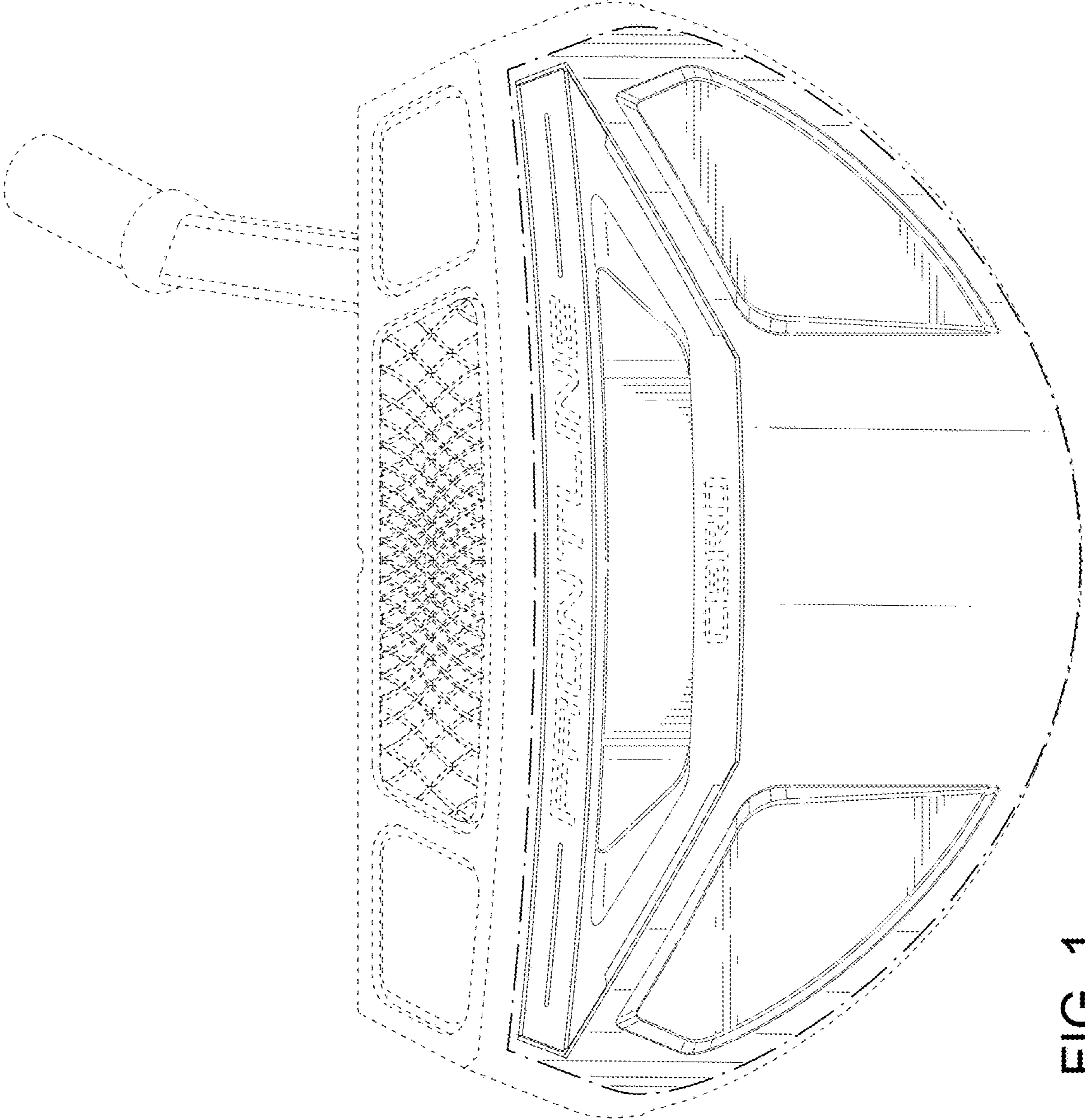


FIG. 1

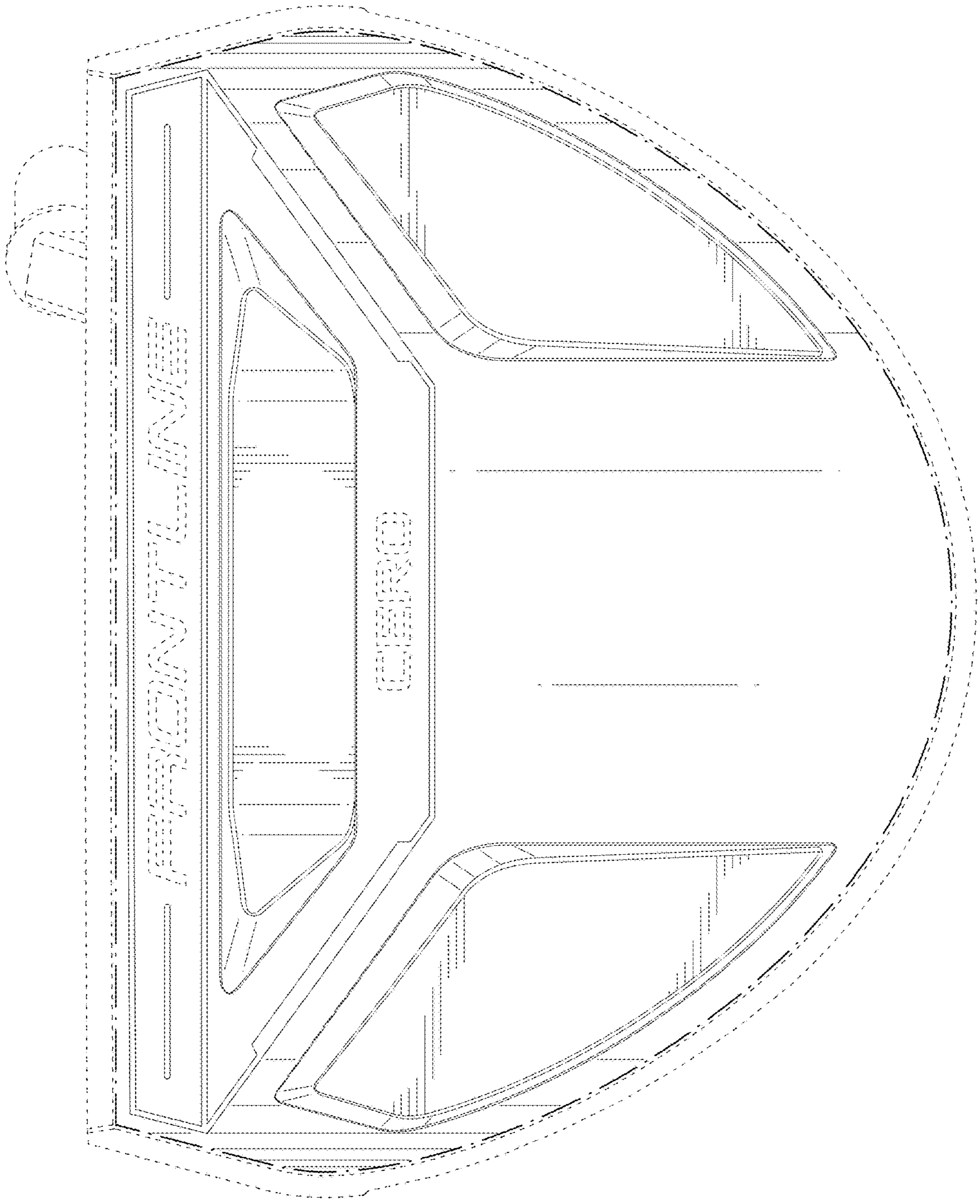


FIG. 2

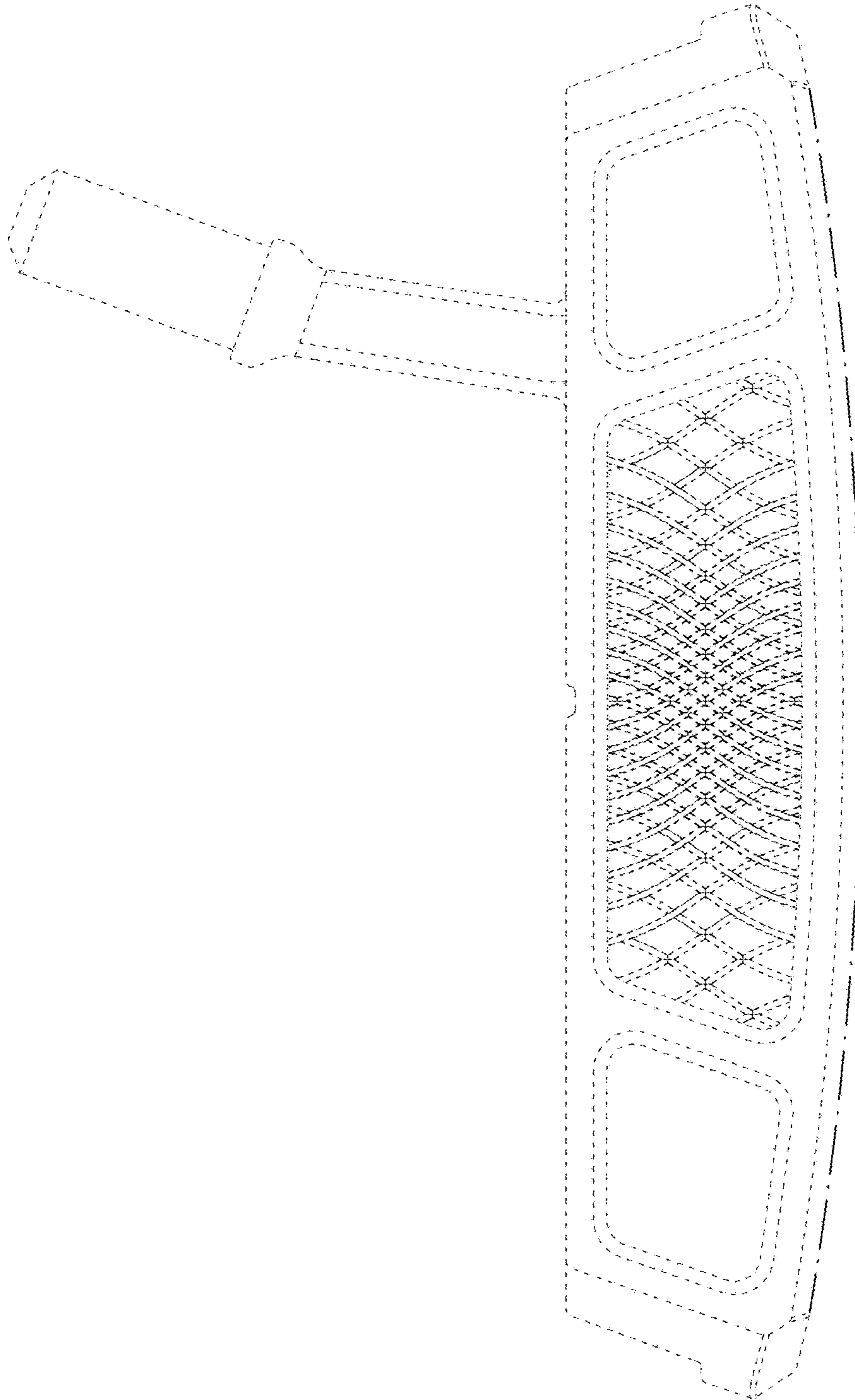


FIG. 3

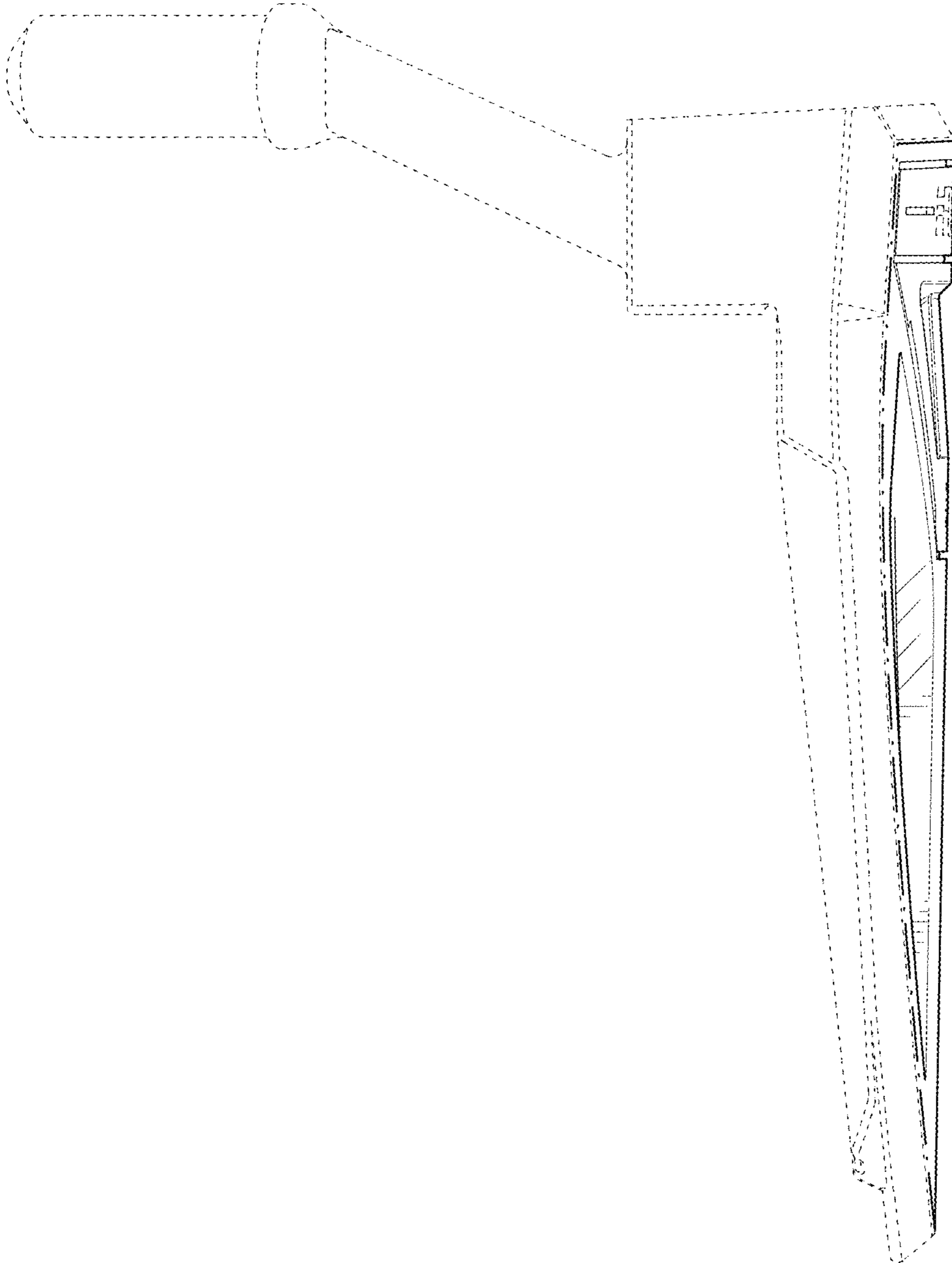


FIG. 4

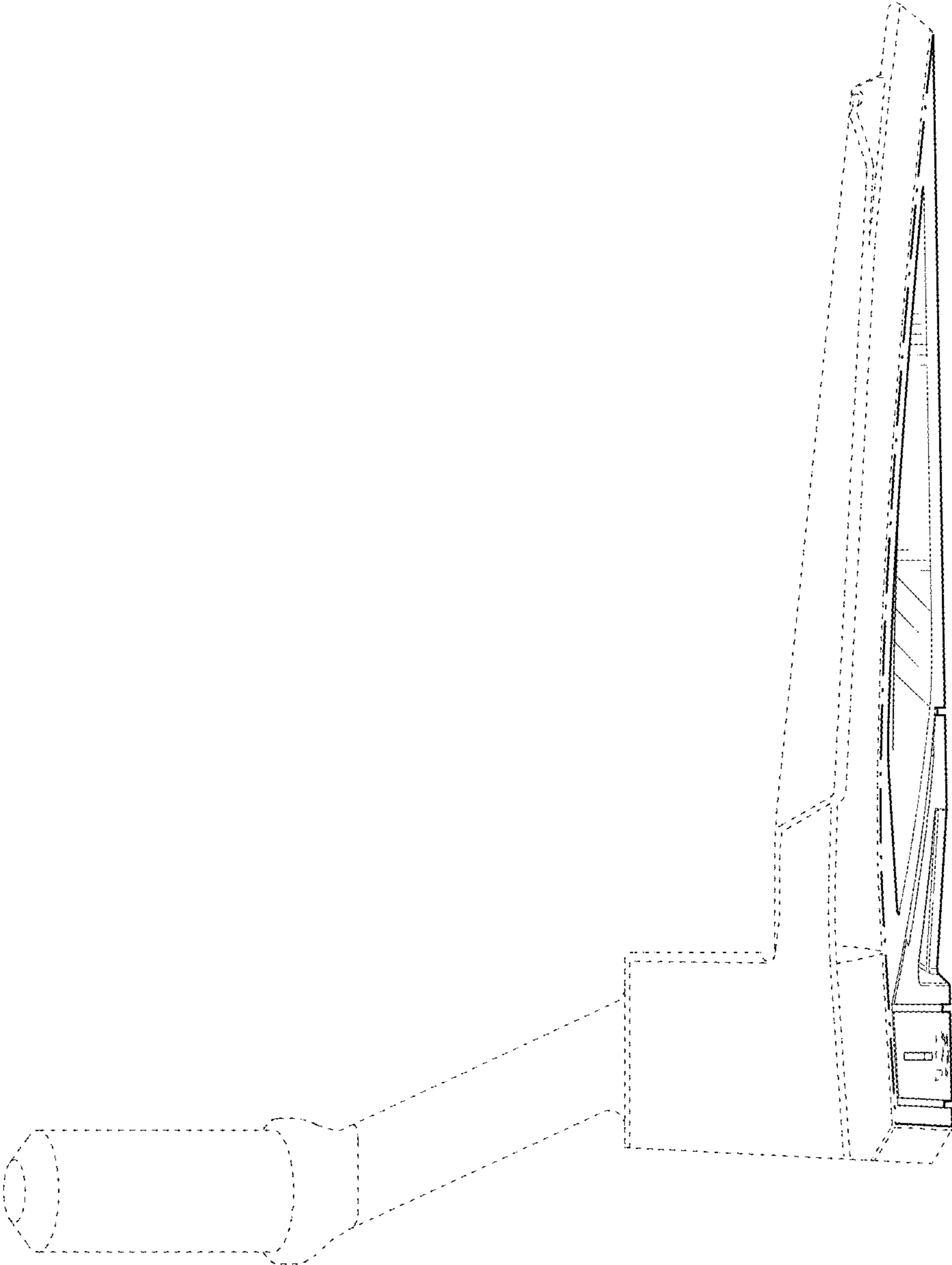


FIG. 5

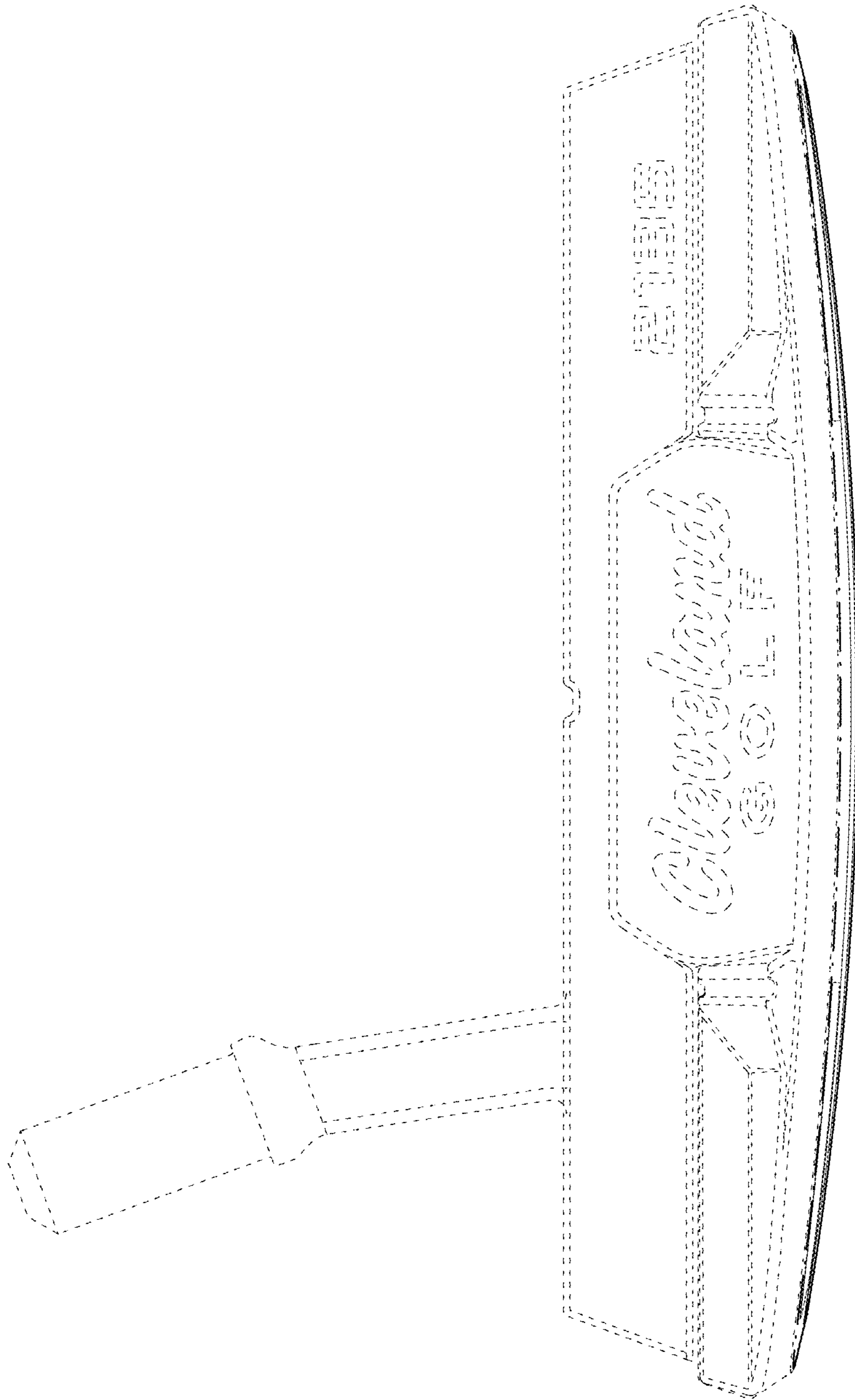


FIG. 6

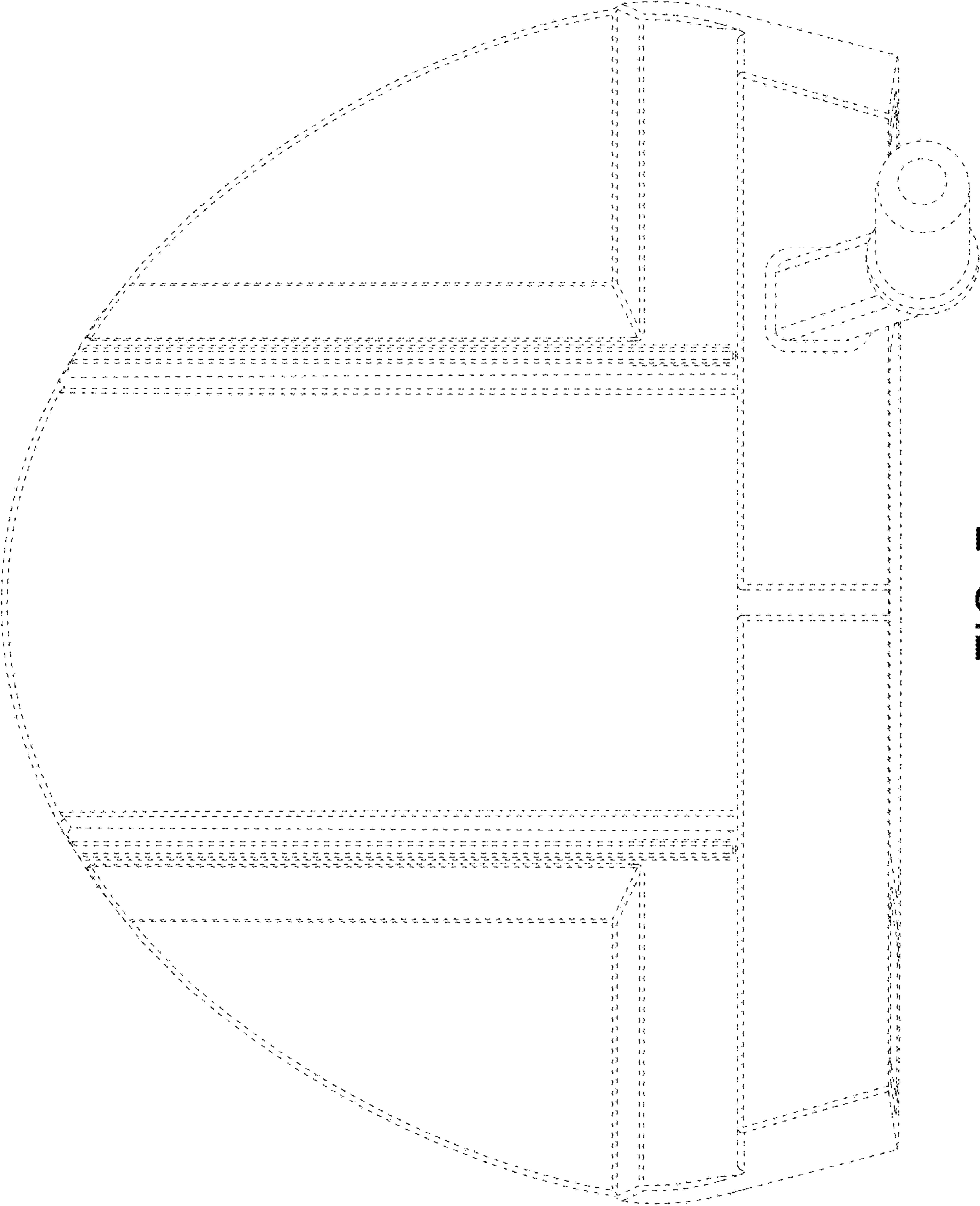


FIG. 7