



US00D906449S

(12) **United States Design Patent**
Garcia

(10) **Patent No.:** **US D906,449 S**

(45) **Date of Patent:** **** Dec. 29, 2020**

(54) **PAIR OF ATTACHMENTS FOR WEIGHT RACK**

(71) Applicant: **Coulter Ventures, LLC.**, Columbus, OH (US)

(72) Inventor: **Nicolas Garcia**, Centerburg, OH (US)

(73) Assignee: **Coulter Ventures, LLC.**, Columbus, OH (US)

(**) Term: **15 Years**

(21) Appl. No.: **29/690,330**

(22) Filed: **May 7, 2019**

(51) **LOC (12) Cl.** **21-02**

(52) **U.S. Cl.**
USPC **D21/694**

(58) **Field of Classification Search**
USPC D21/694, 686, 676, 673, 690, 681, 680, D21/682, 688, 663, 679, 691, 674; 482/131, 38, 142, 130, 94, 145, 108, 104, 482/129, 120, 98; D12/203, 130, 406; D24/188; D8/330; D6/536, 553
CPC A63B 21/0628; A63B 21/4035; A63B 21/078; A63B 21/075; A63B 21/063; A63B 21/0728; A63B 21/072; A63B 23/1218;

(Continued)

(56) **References Cited**

U.S. PATENT DOCUMENTS

4,638,995 A 1/1987 Wilson
4,923,194 A 5/1990 Montgomery
D456,865 S * 5/2002 Caporali 482/98

(Continued)

OTHER PUBLICATIONS

Monster Solo by Rogue dated Aug. 13, 2019. Found online [Aug. 13, 2020] <https://www.roguefitness.com/monster-solo-mount-pull-up-bar> (Year: 2019).*

(Continued)

Primary Examiner — Ryan Harvey

(74) *Attorney, Agent, or Firm* — Banner & Witcoff, Ltd.

(57) **CLAIM**

The ornamental design for an attachment for weight rack, as shown and described.

DESCRIPTION

FIG. 1 is a top, front, right perspective view of a first embodiment of an attachment for weight rack, showing my new design;

FIG. 2 is a top view thereof;

FIG. 3 is a bottom view thereof;

FIG. 4 is a left side view thereof;

FIG. 5 is a right side view thereof;

FIG. 6 is a rear view thereof;

FIG. 7 is a front view thereof;

FIG. 8 is a top, front, right perspective view of an attachment for weight rack showing my new design of FIGS. 1-7 in its exemplary environment;

FIG. 9 is a top, front, right perspective view of a second embodiment of an attachment for weight rack, showing my new design with selected features disclaimed;

FIG. 10 is a top view thereof;

FIG. 11 is a bottom view thereof;

FIG. 12 is a left side view thereof;

FIG. 13 is a right side view thereof;

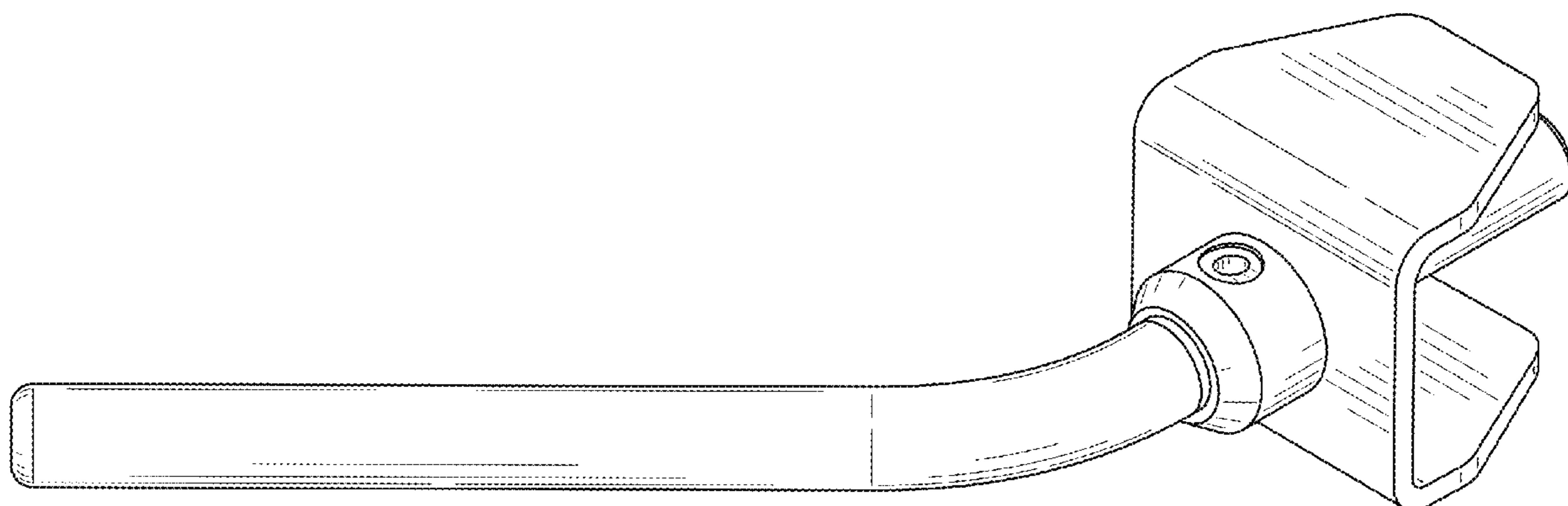
FIG. 14 is a rear view thereof;

FIG. 15 is a front view thereof; and,

FIG. 16 is a top, front, right perspective view of an attachment for weight rack showing my new design of FIGS. 9-15 in its exemplary environment.

The broken lines depicting the remainder of the pair attachment for weight rack show portions that form no part of the claimed design. The broken lines depicting exemplary environment in FIGS. 8 and 16 also form no part of the claimed design.

1 Claim, 12 Drawing Sheets



- (58) **Field of Classification Search**
 CPC . A63B 23/1209; A63B 23/12; A63B 21/0783;
 A63B 21/4017
 See application file for complete search history.

(56) **References Cited**

U.S. PATENT DOCUMENTS

6,692,417	B2	2/2004	Burrell	
7,125,371	B2	10/2006	Henderson	
D554,209	S	10/2007	Loucks	
7,534,200	B1	5/2009	Martinez	
7,699,756	B2 *	4/2010	Piane, Jr.	A63B 17/04 482/38
D735,819	S *	8/2015	Louis	D21/686
D759,170	S *	6/2016	Louis	D21/686
9,597,539	B2	3/2017	Grider	
9,610,490	B2 *	4/2017	Tambornino	A63B 71/0036
D849,160	S	5/2019	Lau	
D852,289	S	6/2019	Jones et al.	
2012/0142506	A1 *	6/2012	Hetrick	A63B 23/0216 482/142
2017/0120099	A1 *	5/2017	Biddix, Jr.	A63B 21/068
2018/0243597	A1 *	8/2018	Schlegel	A63B 21/40
2019/0240521	A1 *	8/2019	Staten	A63B 17/04
2019/0275363	A1 *	9/2019	Jones	A63B 21/0616

OTHER PUBLICATIONS

Product listing for Bolt-on Double Change Plate Storage, from <https://web.archive.org/web/20170613031342/https://www.roguefitness.com/bolt-on-double-change-plate-storage>, dated Jun. 13, 2017.

Product listing for Rogue Monster Crown Pull-up Bar, from <https://web.archive.org/web/20170715203419/https://www.roguefitness.com/rogue-monster-crown-pull-up-bar>, dated Jun. 15, 2017.
 Product listing for Rogue Neutral Grips, from <https://web.archive.org/web/20170717112811/https://www.roguefitness.com/rogue-neutral-grips>, dated Jul. 17, 2017.
 Product listing for SP3358 Plate Storage PA—Long for Monster Lite from <https://web.archive.org/web/20170623162752/https://www.roguefitness.com/sp3358-plate-storage-long-for-monster-lite>, dated Jun. 23, 2017.
 Product listing for Monster Plate Storage Channel, from <https://web.archive.org/web/20170615182112/https://www.roguefitness.com/monster-plate-storage-channel>, dated Jun. 15, 2017.
 Product listing for Rogue Infinity Kids Pull-up Bar, from <https://web.archive.org/web/20170717101351/https://www.roguefitness.com/rogue-kids-pullup-bar>, dated Jul. 17, 2017.
 Product listing for Rogue Socket Monster Lite Pull-up Bar, from <https://web.archive.org/web/20180830040451/https://www.roguefitness.com/rogue-monster-lite-socket-pull-up-bar>, dated Aug. 30, 2018.
 Product listing for Rogue Monster Plate Storage Pin, from <https://web.archive.org/web/20170616132650/http://www.roguefitness.com/rogue-monster-plate-storage-pin>, dated Jun. 16, 2017.
 Product listing for Rogue Infinity Vertical Plate Storage, from <https://web.archive.org/web/20151229010125/http://www.roguefitness.com/rogue-vertical-plate-storage>, dated Dec. 29, 2015.

* cited by examiner

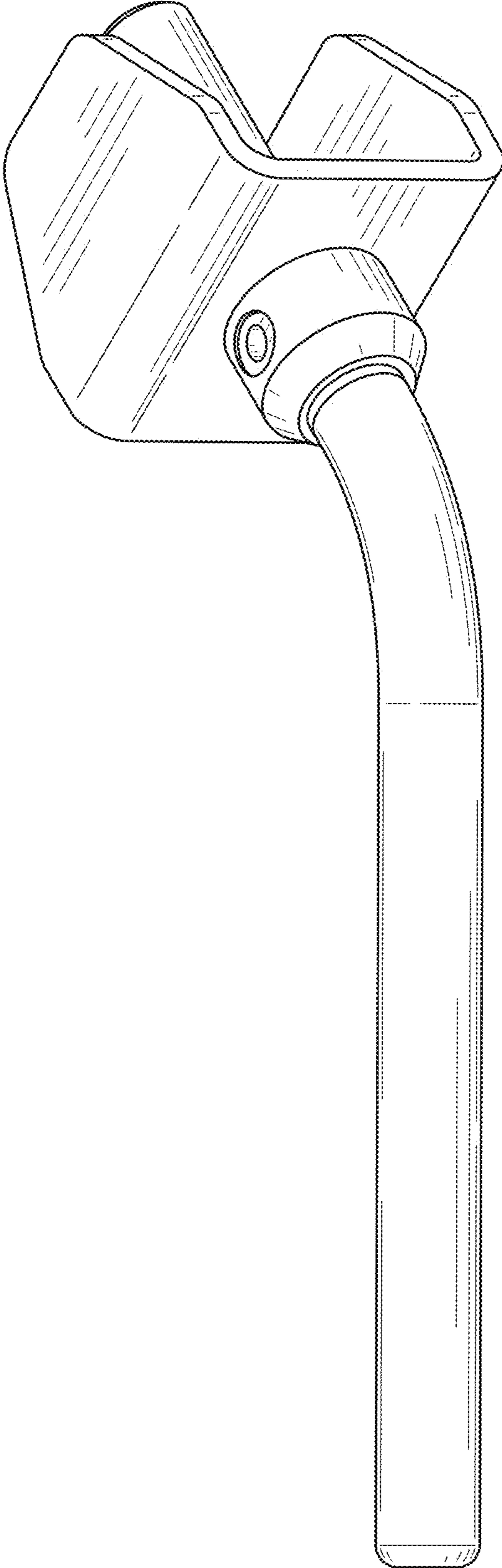


FIG. 1

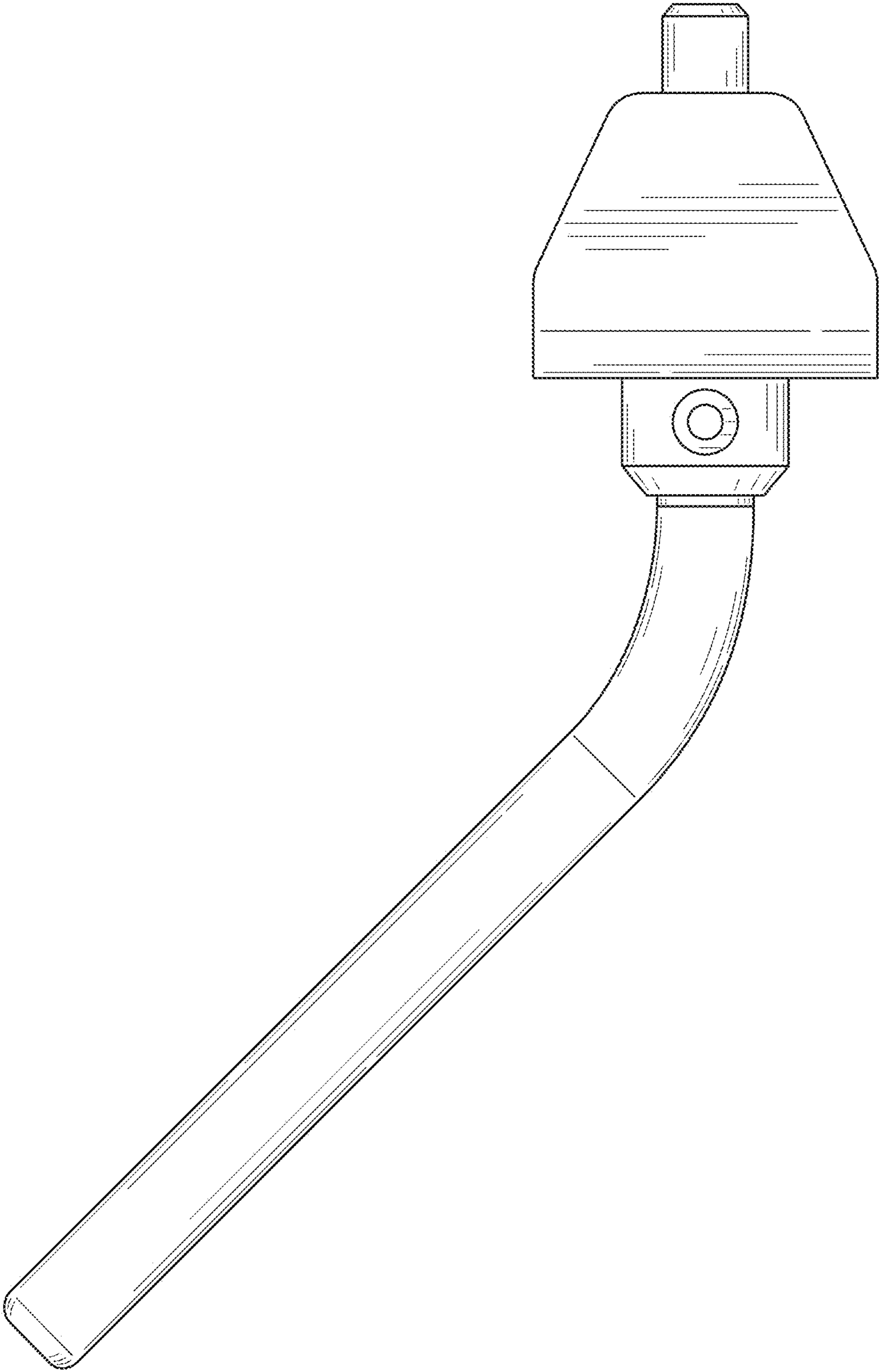


FIG. 2

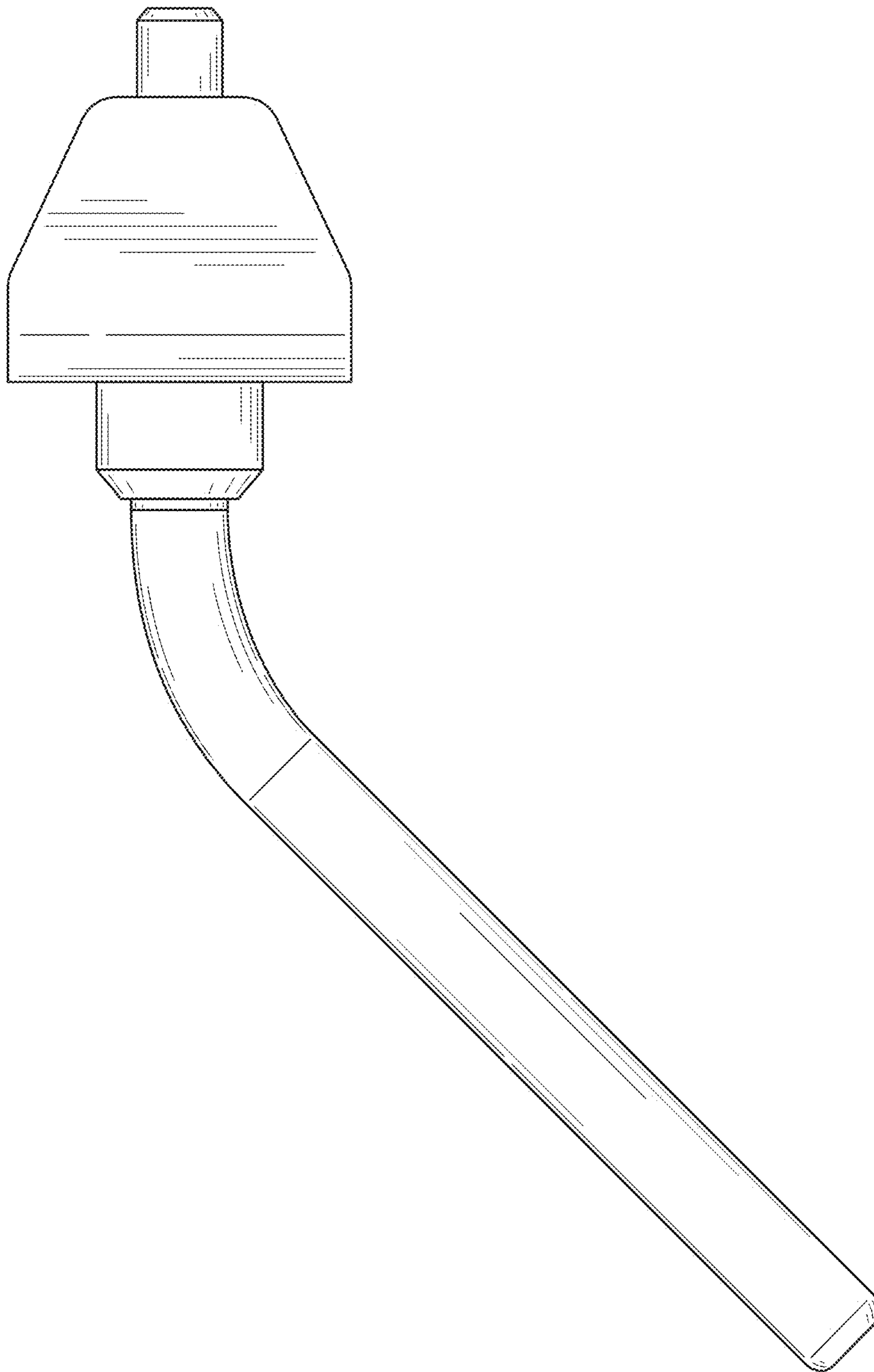


FIG. 3

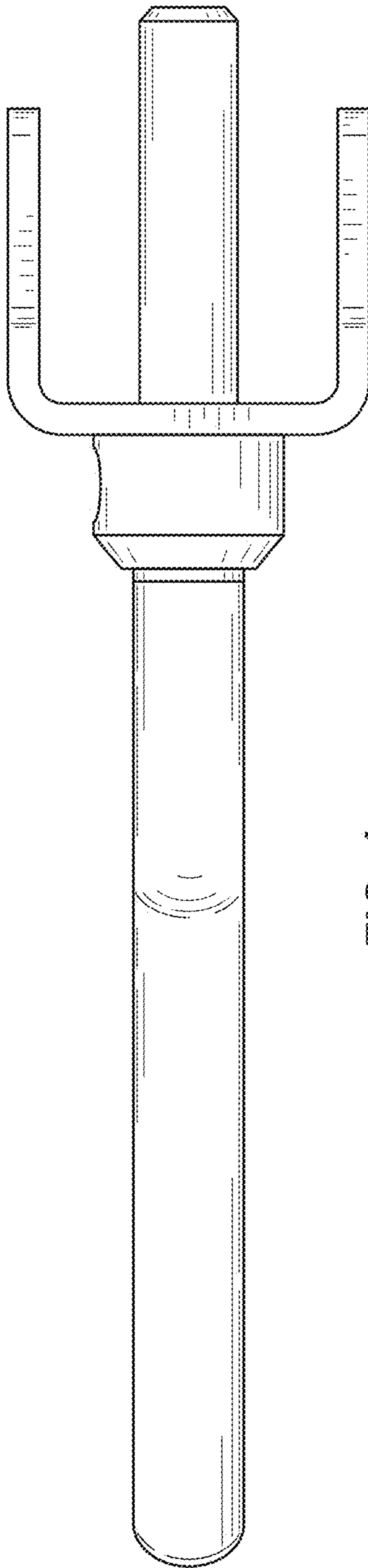


FIG. 4

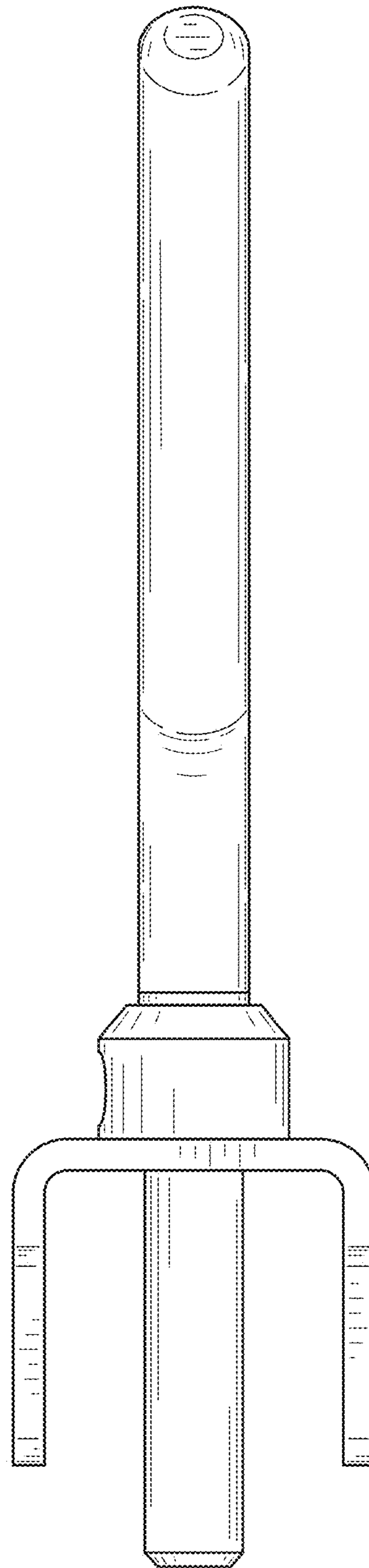


FIG. 5

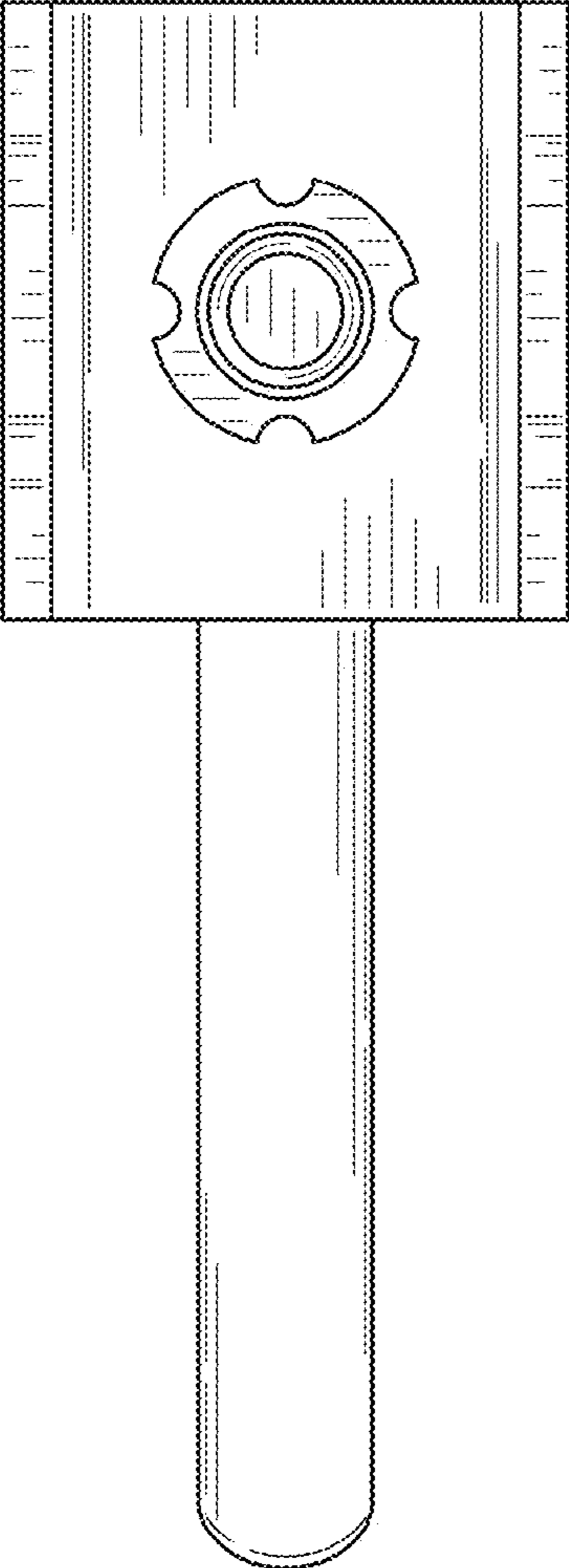


FIG. 6

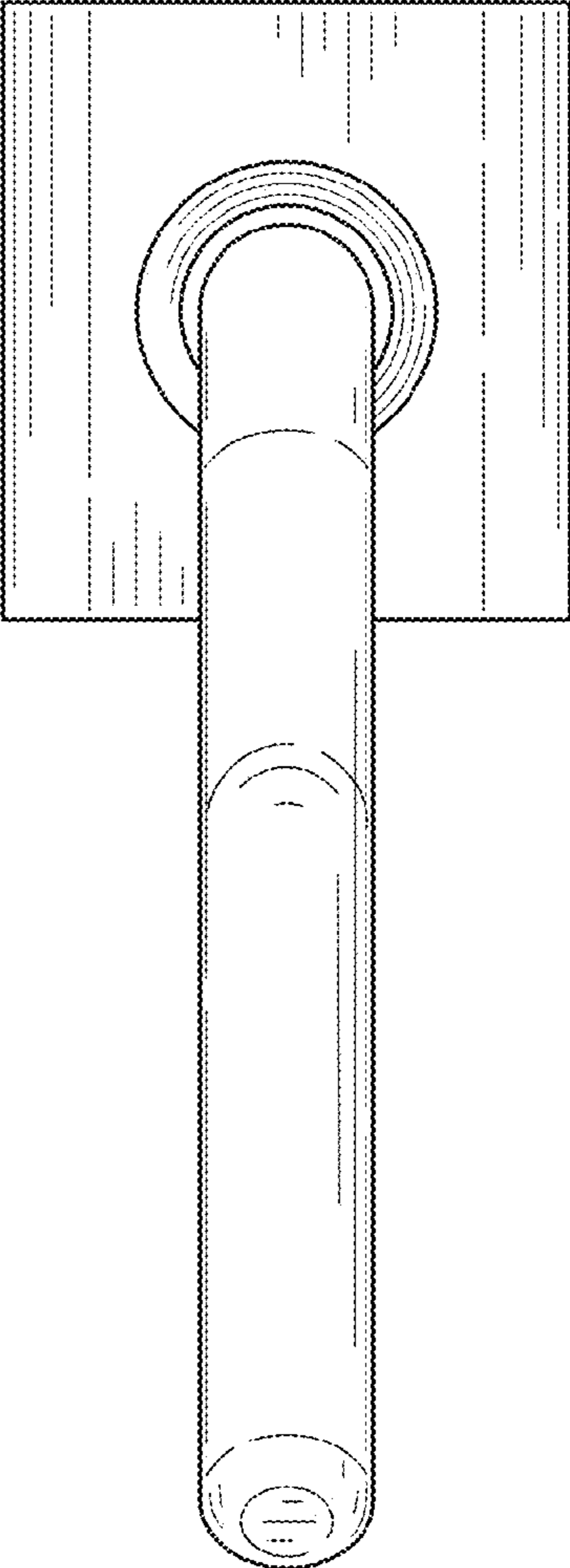


FIG. 7

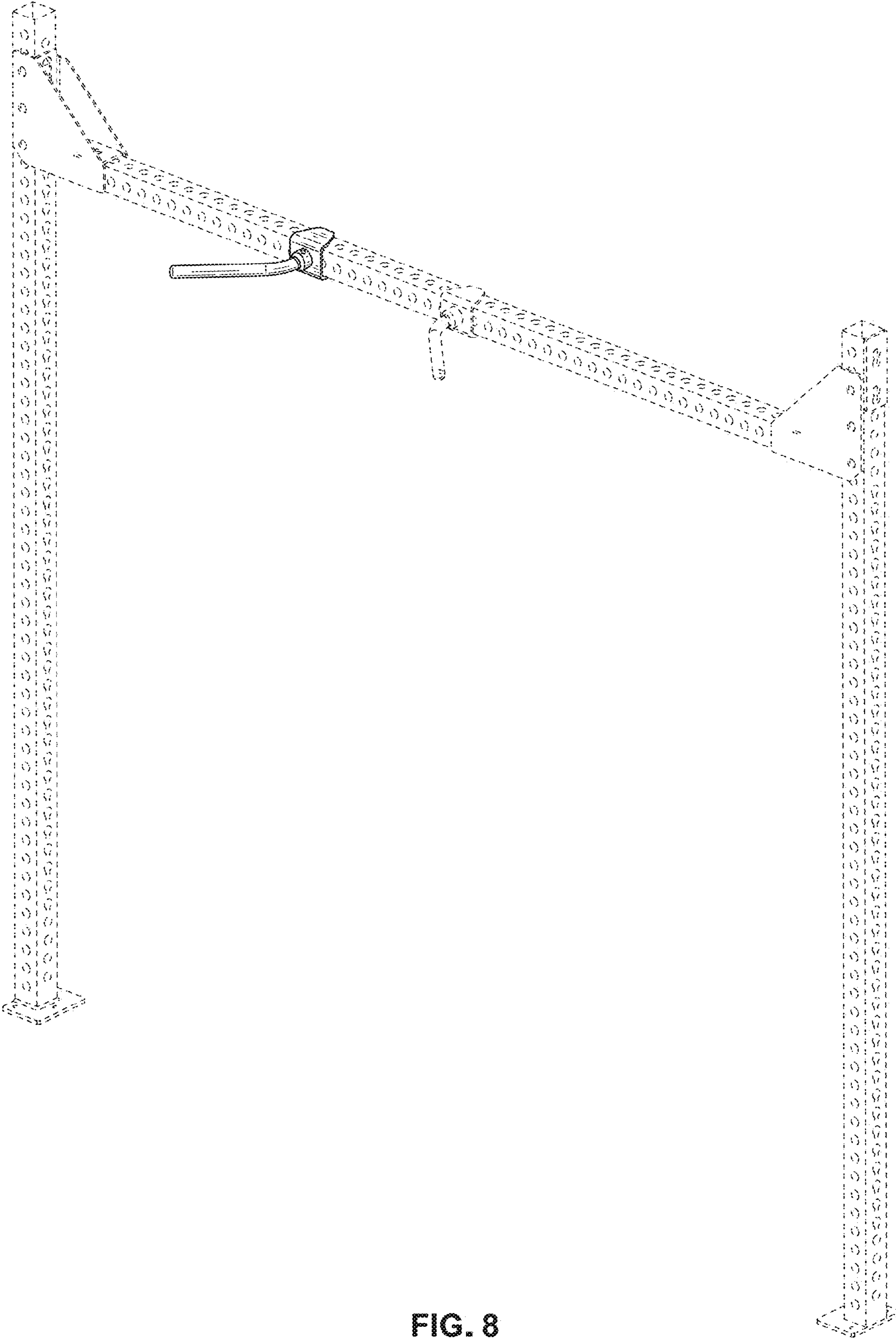


FIG. 8

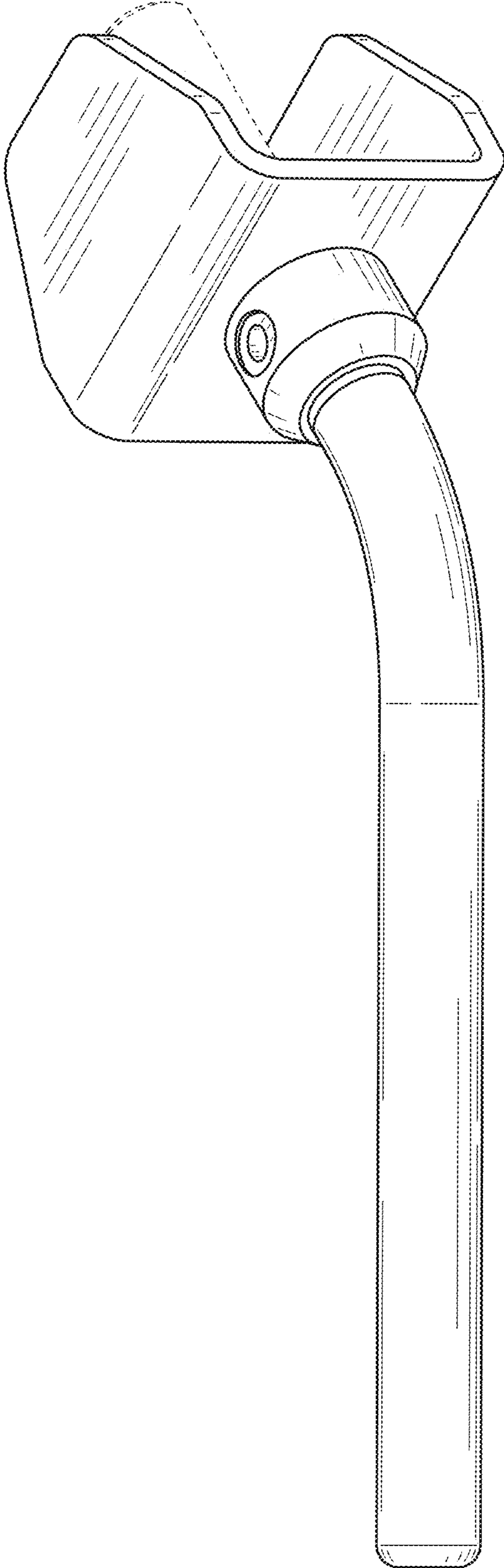


FIG. 9

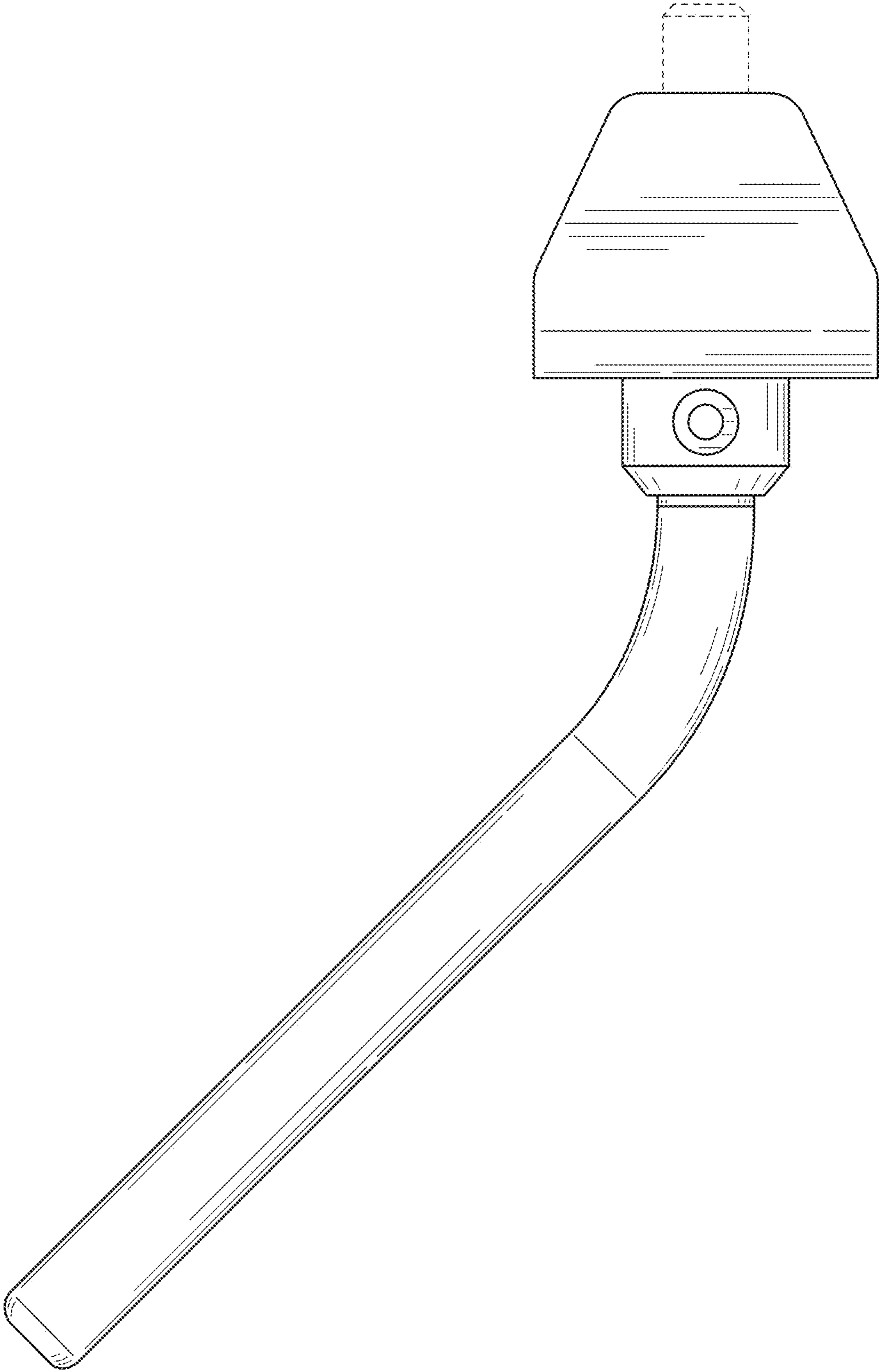


FIG. 10

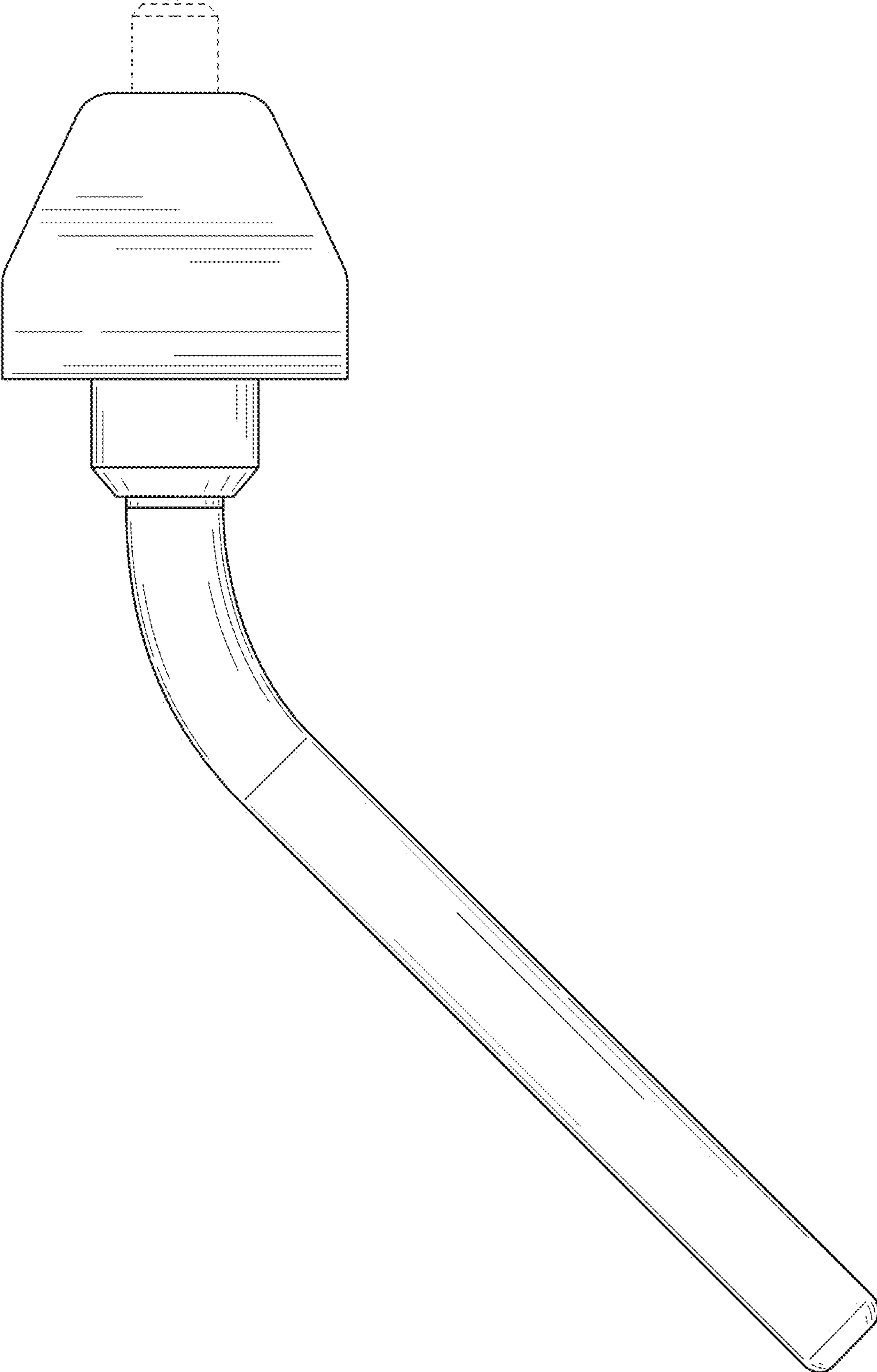


FIG. 11

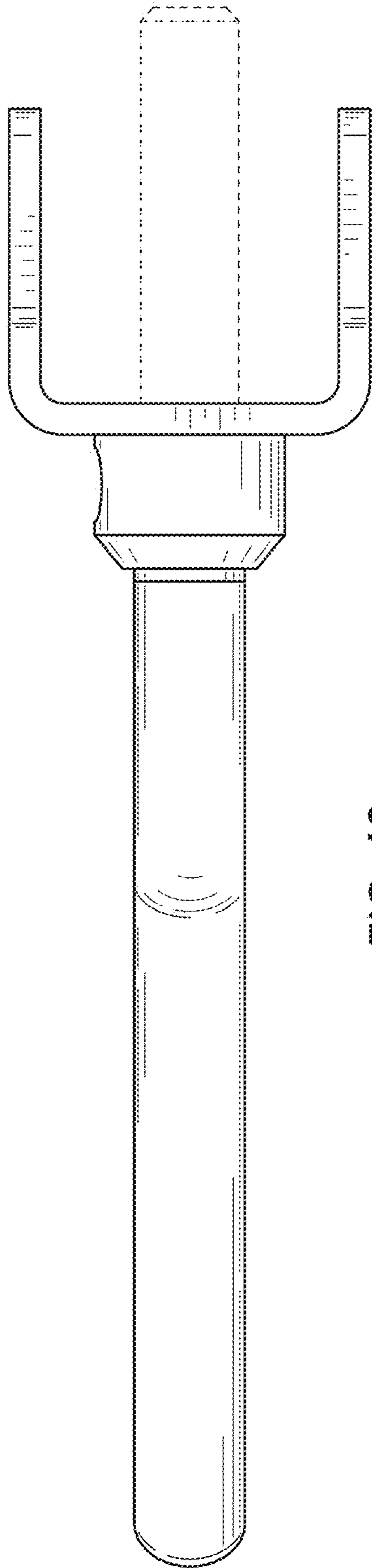


FIG. 12

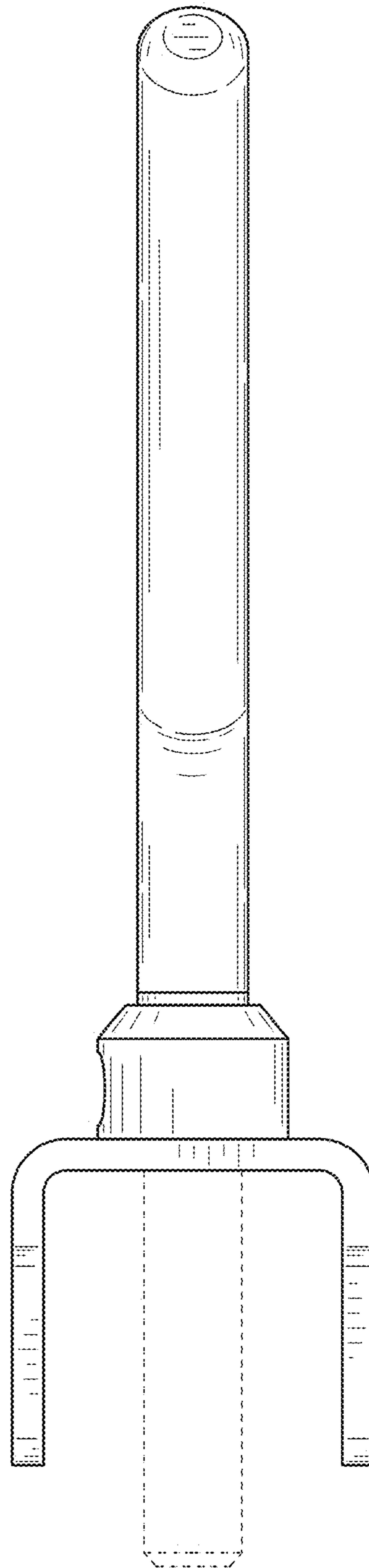


FIG. 13

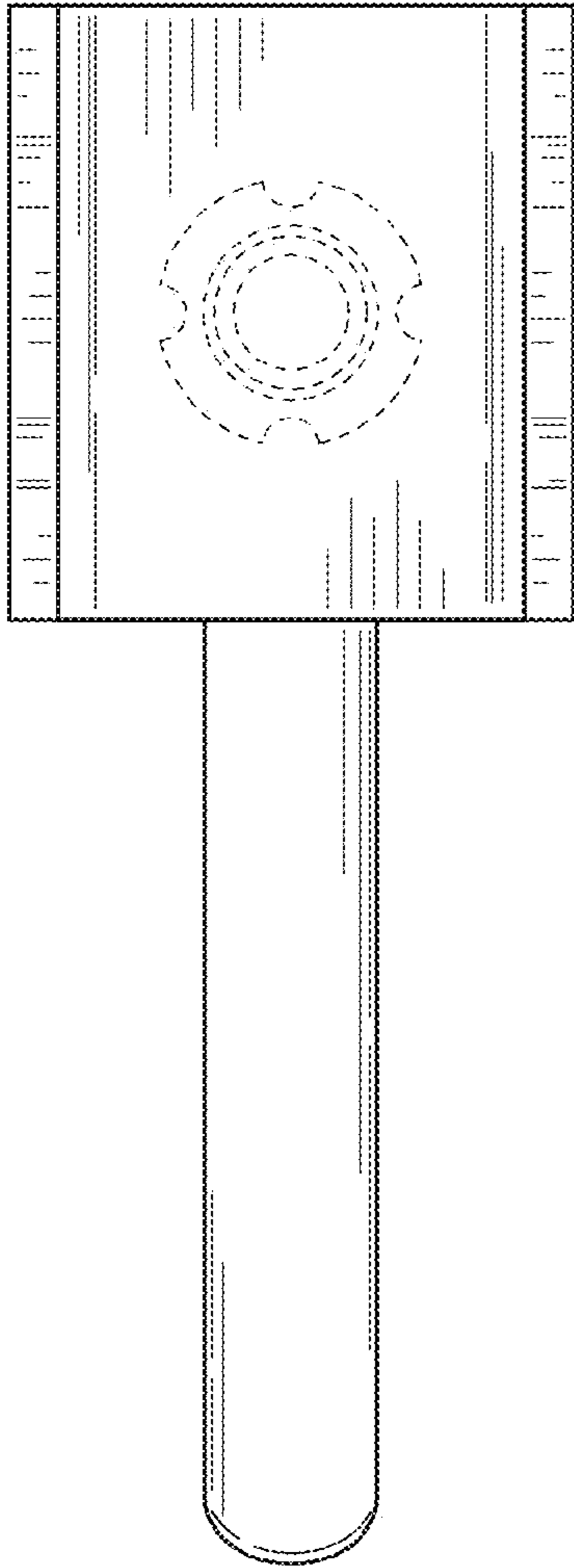


FIG. 14

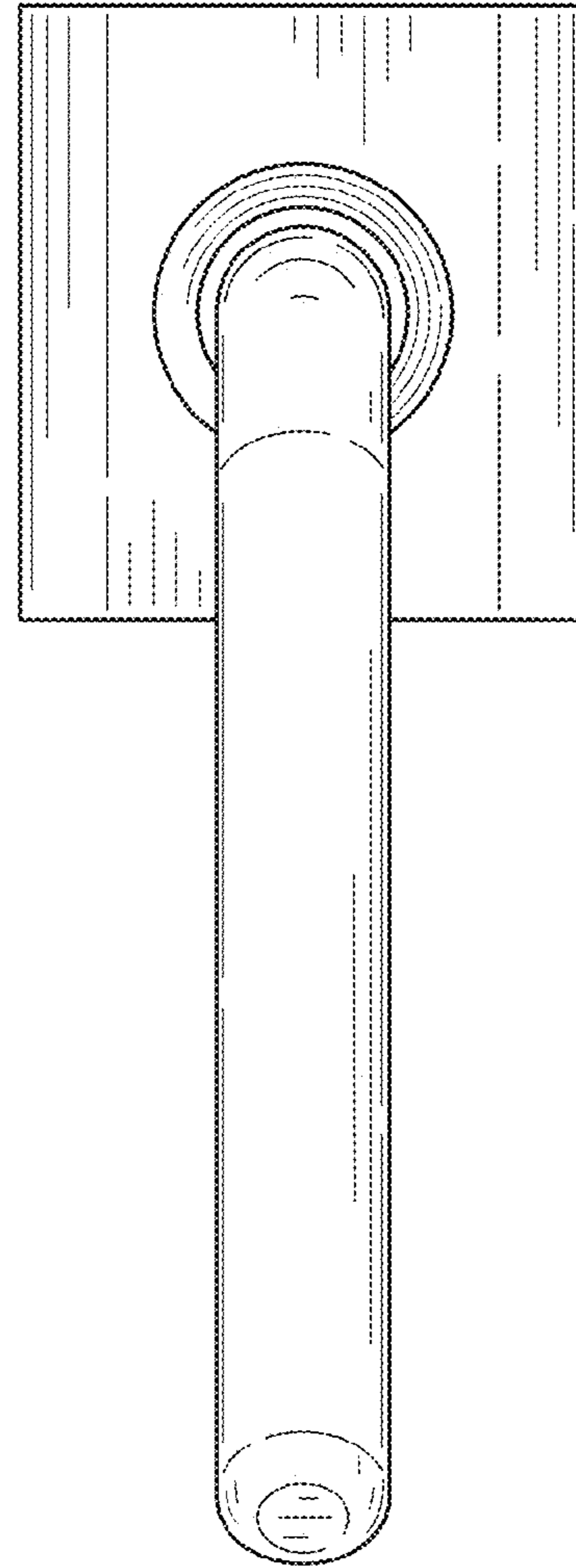


FIG. 15

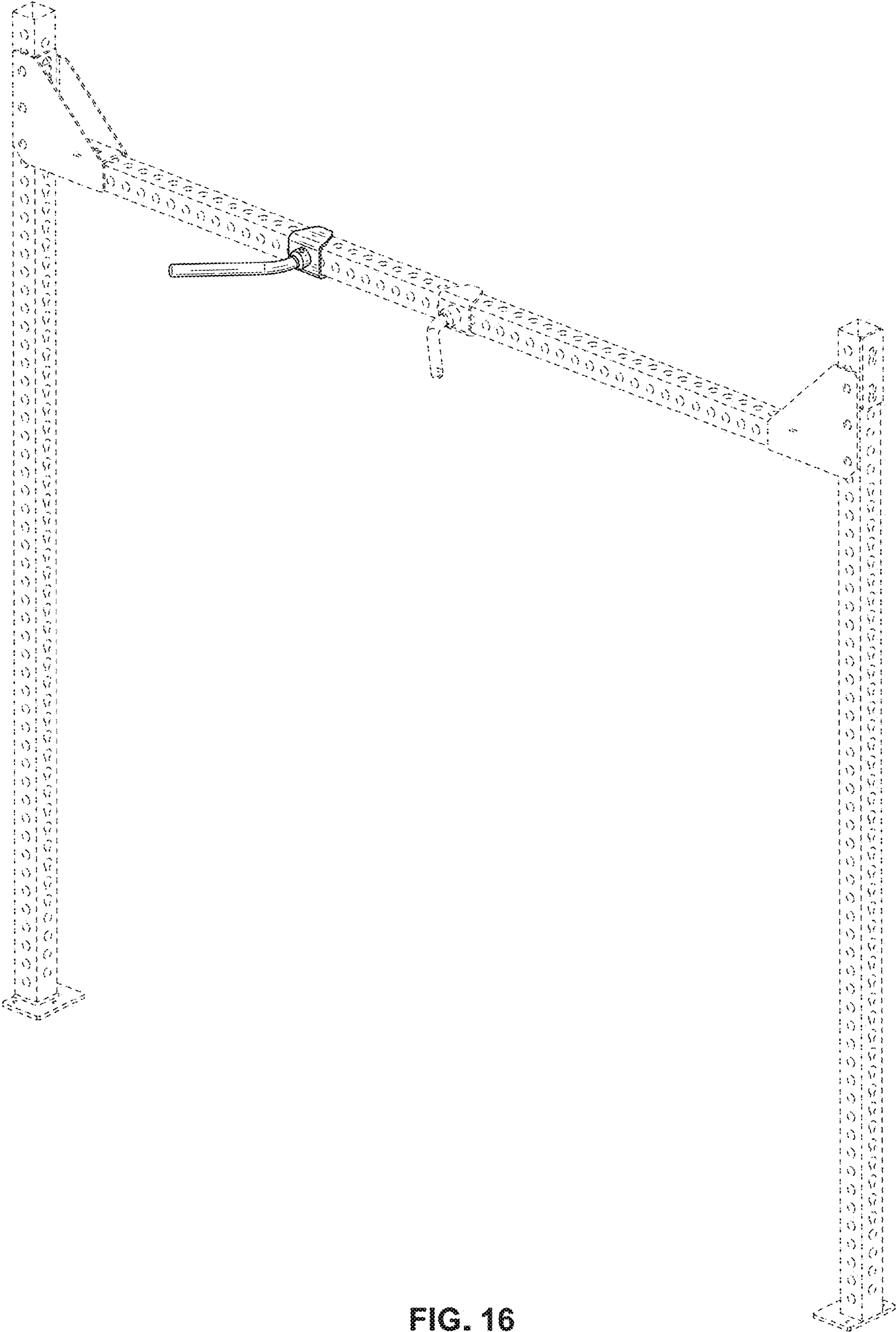


FIG. 16