



US00D906448S

(12) **United States Design Patent** (10) **Patent No.:** **US D906,448 S**  
**Garcia** (45) **Date of Patent:** **\*\* Dec. 29, 2020**

(54) **PAIR OF ATTACHMENTS FOR WEIGHT RACK**

(71) Applicant: **Coulter Ventures, LLC.**, Columbus, OH (US)

(72) Inventor: **Nicolas Garcia**, Centerburg, OH (US)

(73) Assignee: **Coulter Ventures, LLC.**, Columbus, OH (US)

(\*\*) Term: **15 Years**

(21) Appl. No.: **29/690,326**

(22) Filed: **May 7, 2019**

(51) **LOC (12) Cl.** ..... **21-02**

(52) **U.S. Cl.**  
USPC ..... **D21/694**

(58) **Field of Classification Search**  
USPC ..... D21/694, 686, 676, 673, 690, 681, 680,  
D21/682, 688, 663, 679, 691, 674;  
(Continued)

(56) **References Cited**

U.S. PATENT DOCUMENTS

D456,865 S \* 5/2002 Caporali ..... 482/98  
7,699,756 B2 \* 4/2010 Piane, Jr. .... A63B 17/04  
482/38

(Continued)

OTHER PUBLICATIONS

Monster Solo by Rogue dated Aug. 13, 2019. Found online [Aug. 13, 2020] <https://www.roguefitness.com/monster-solo-mount-pull-up-bar> (Year: 2019).\*

Product listing for Bolt-on Double Change Plate Storage, from <https://web.archive.org/web/20170613031342/https://www.roguefitness.com/bolt-on-double-change-plate-storage>, dated Jun. 13, 2017.

Product listing for Rogue Monster Crown Pull-up Bar, from <https://web.archive.org/web/20170715203419/https://www.roguefitness.com/rogue-monster-crown-pull-up-bar>, dated Jun. 15, 2017.

(Continued)

Primary Examiner — Ryan Harvey

(74) Attorney, Agent, or Firm — Banner & Witcoff, Ltd.

(57) **CLAIM**

The ornamental design for an pair of attachments for weight rack, as shown and described.

**DESCRIPTION**

FIG. 1 is a top, front, left perspective view of a first embodiment of a pair of attachments for weight rack, with the additional attachment shown removed for clarity of disclosure, showing my new design;

FIG. 2 is a top view thereof;

FIG. 3 is a bottom view thereof;

FIG. 4 is a left side view thereof;

FIG. 5 is a right side view thereof;

FIG. 6 is a rear view thereof;

FIG. 7 is a front view thereof;

FIG. 8 is a top, front, right perspective view of a pair of attachments for weight rack showing my new design of FIGS. 1-7 in its exemplary environment, showing the pair of attachments for weight rack mounted in a first configuration and a second configuration;

FIG. 9 is a top, front, left perspective view of a second embodiment of a pair of attachments for weight rack, with the additional attachment shown removed for clarity of disclosure, showing my new design of FIGS. 1-7 with selected features disclaimed;

FIG. 10 is a top view thereof;

FIG. 11 is a bottom view thereof;

FIG. 12 is a left side view thereof;

FIG. 13 is a right side view thereof;

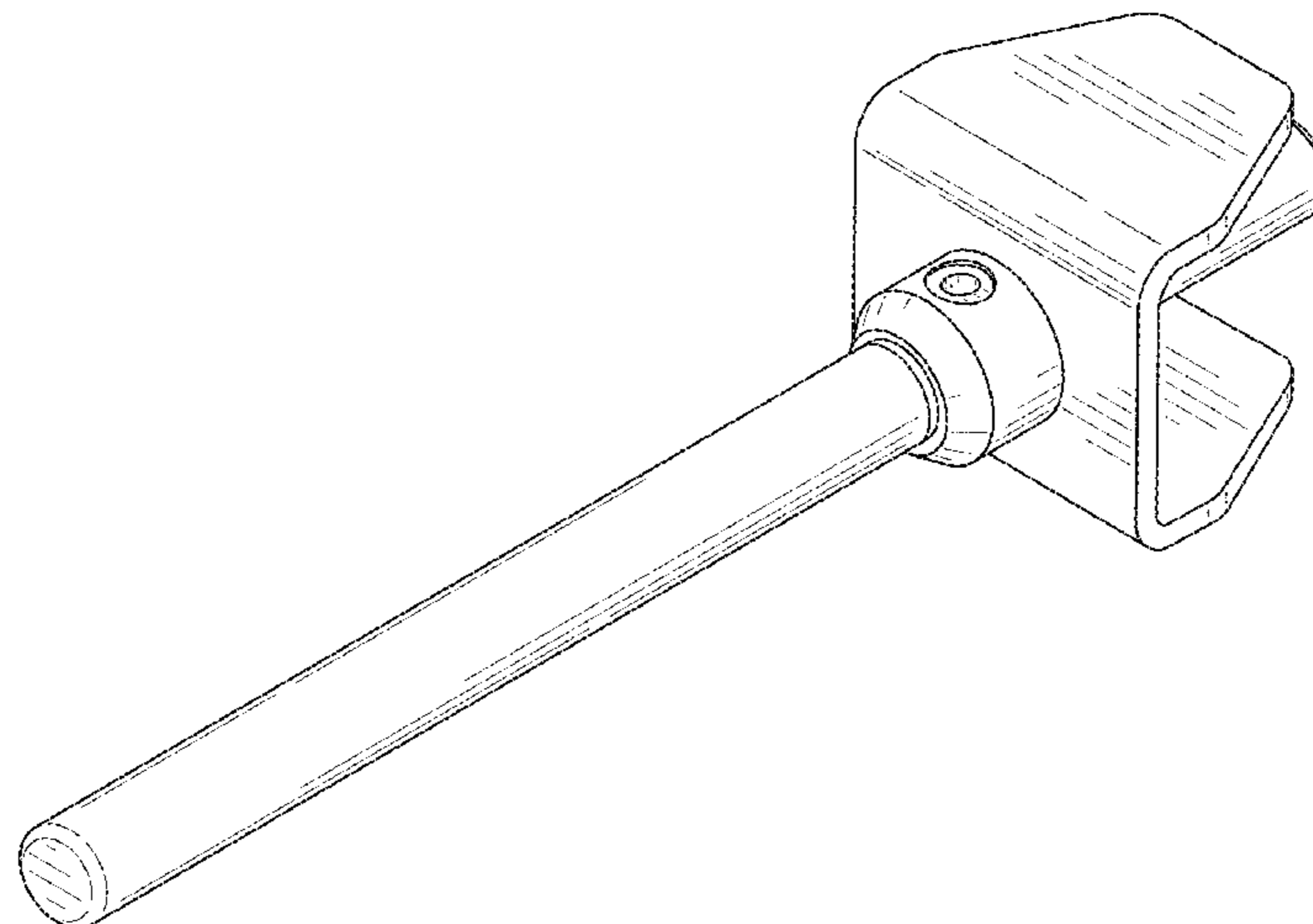
FIG. 14 is a rear view thereof;

FIG. 15 is a front view thereof; and,

FIG. 16 is a top, front, right perspective view of a pair of attachments for weight rack showing my new design of FIGS. 9-15 in its exemplary environment, showing the pair of attachments for weight rack mounted in a first configuration and a second configuration.

The broken lines depicting the remainder of the pair of attachments for weight rack show portions that form no part of the claimed design. The broken lines depicting exemplary environment in FIGS. 8 and 16 also form no part of the claimed design.

**1 Claim, 10 Drawing Sheets**



(58) **Field of Classification Search**

USPC ... 482/131, 38, 142, 130, 94, 145, 108, 104, 482/129, 120, 98; D12/203, 130, 406; D24/188; D8/330; D6/536, 553  
CPC ..... A63B 21/0628; A63B 21/4035; A63B 21/078; A63B 21/075; A63B 21/063; A63B 21/0728; A63B 21/072; A63B 23/1218; A63B 23/1209; A63B 23/12; A63B 21/0783; A63B 21/4017  
See application file for complete search history.

(56) **References Cited**

U.S. PATENT DOCUMENTS

D735,819 S \* 8/2015 Louis ..... D21/686  
D759,170 S \* 6/2016 Louis ..... D21/686  
9,610,490 B2 \* 4/2017 Tambornino ..... A63B 71/0036  
2012/0142506 A1 \* 6/2012 Hetrick ..... A63B 23/0216  
482/142  
2017/0120099 A1 \* 5/2017 Biddix, Jr. .... A63B 21/068  
2018/0243597 A1 \* 8/2018 Schlegel ..... A63B 21/40  
2019/0240521 A1 \* 8/2019 Staten ..... A63B 17/04  
2019/0275363 A1 \* 9/2019 Jones ..... A63B 21/0616

OTHER PUBLICATIONS

Product listing for Rogue Neutral Grips, from <https://web.archive.org/web/20170717112811/https://www.roguefitness.com/rogue-neutral-grips>, dated Jul. 17, 2017.  
Product listing for SP3358 Plate Storage PA—Long for Monster Lite from <https://web.archive.org/web/20170623162752/https://www.roguefitness.com/sp3358-plate-storage-long-for-monster-lite>, dated Jun. 23, 2017.  
Product listing for Monster Plate Storage Channel, from <https://web.archive.org/web/20170615182112/https://www.roguefitness.com/monster-plate-storage-channel>, dated Jun. 15, 2017.  
Product listing for Rogue Infinity Kids Pull-up Bar, from <https://web.archive.org/web/20170717101351/https://www.roguefitness.com/rogue-kids-pullup-bar>, dated Jul. 17, 2017.  
Product listing for Rogue Socket Monster Lite Pull-up Bar, from <https://web.archive.org/web/20180830040451/https://www.roguefitness.com/rogue-monster-lite-socket-pull-up-bar>, dated Aug. 30, 2018.  
Product listing for Rogue Monster Plate Storage Pin, from <https://web.archive.org/web/20170616132650/http://www.roguefitness.com/rogue-monster-plate-storage-pin>, dated Jun. 16, 2017.  
Product listing for Rogue Infinity Vertical Plate Storage, from <https://web.archive.org/web/20151229010125/http://www.roguefitness.com/rogue-vertical-plate-storage>, dated Dec. 29, 2015.

\* cited by examiner

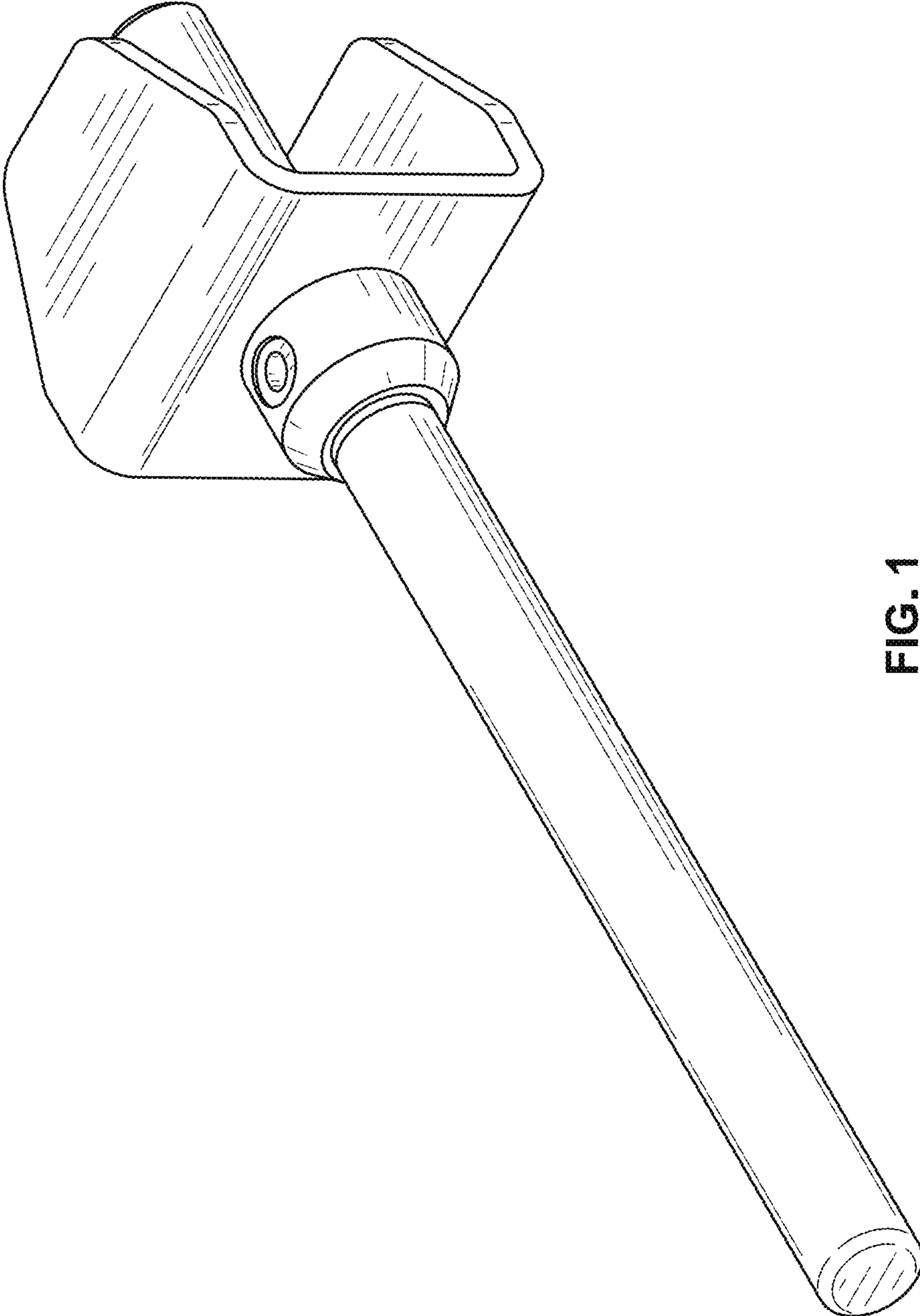


FIG. 1

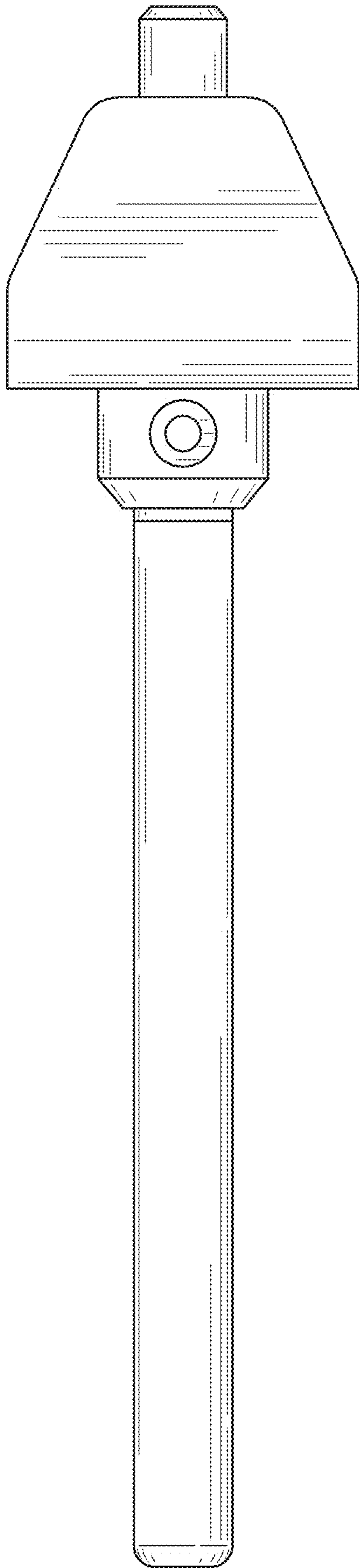


FIG. 2

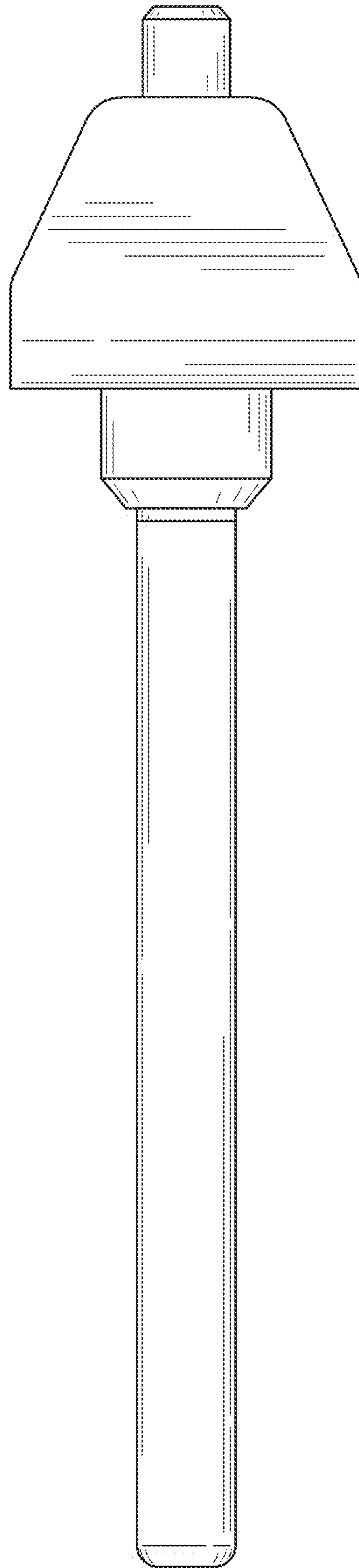


FIG. 3



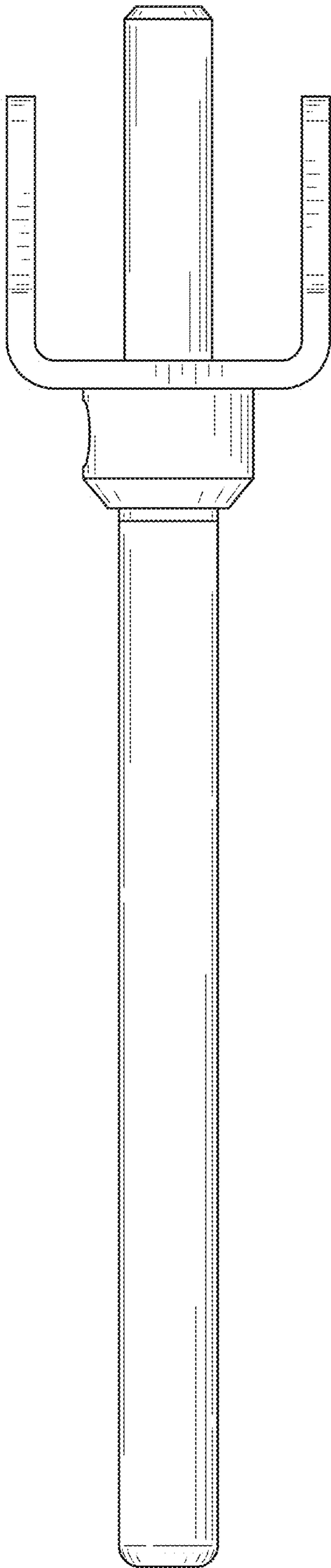


FIG. 4

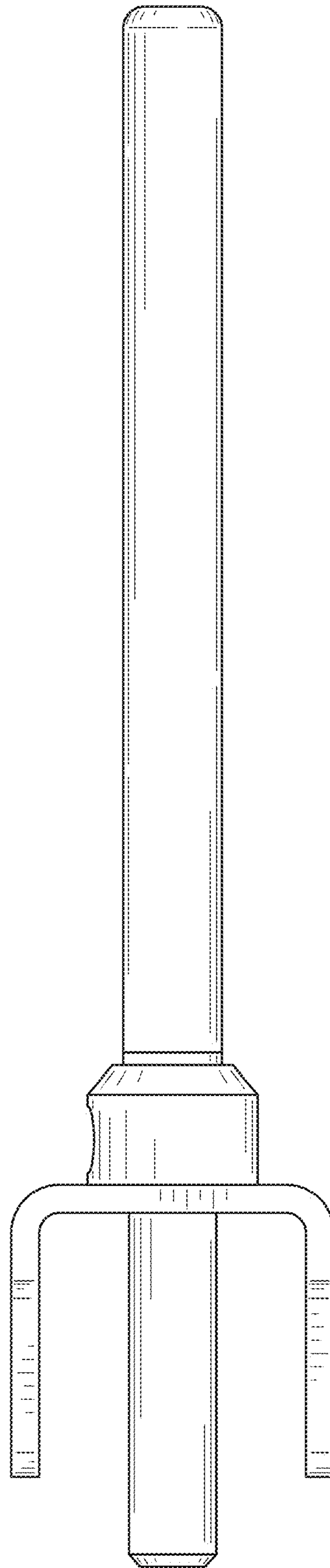


FIG. 5

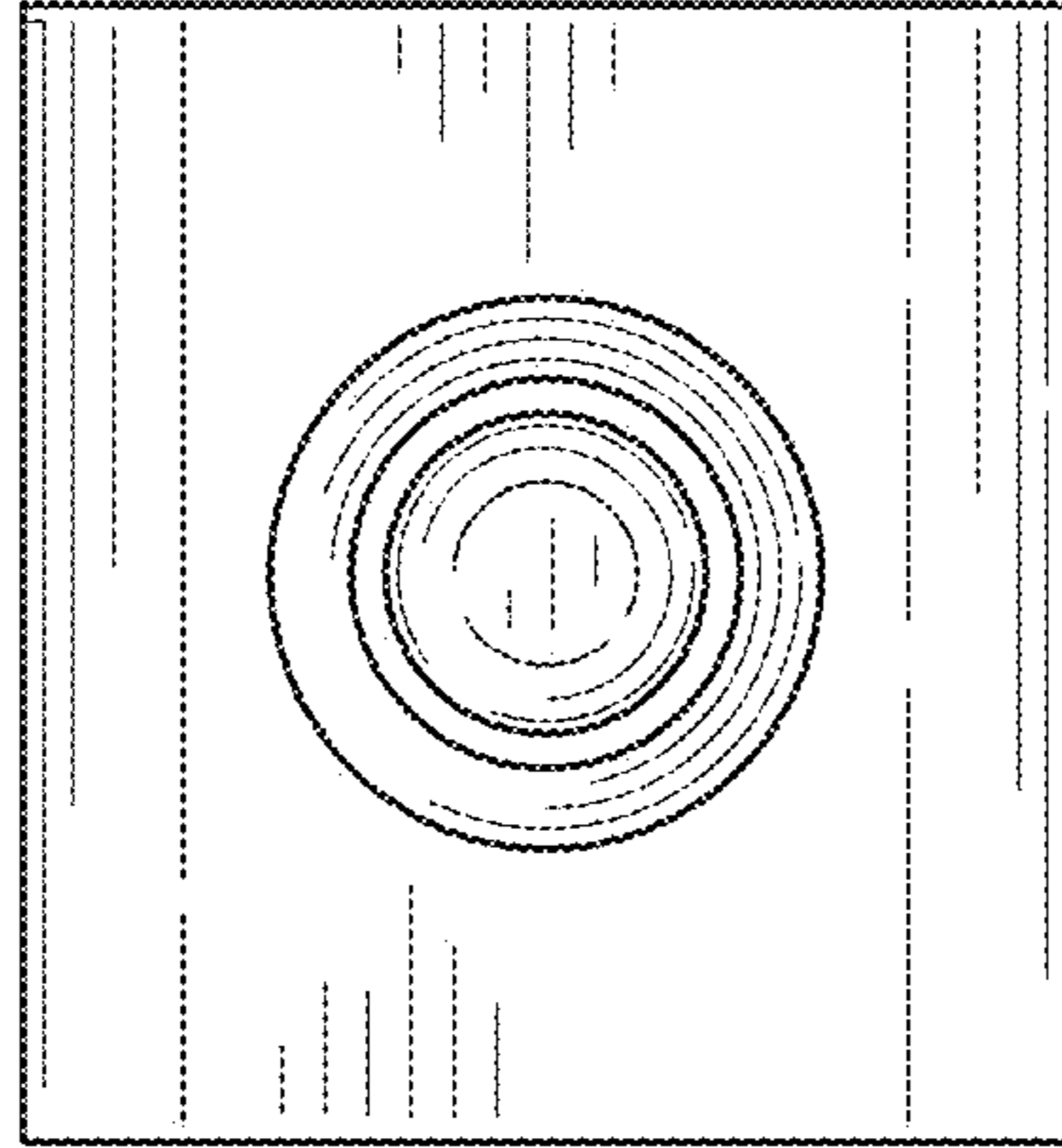


FIG. 6

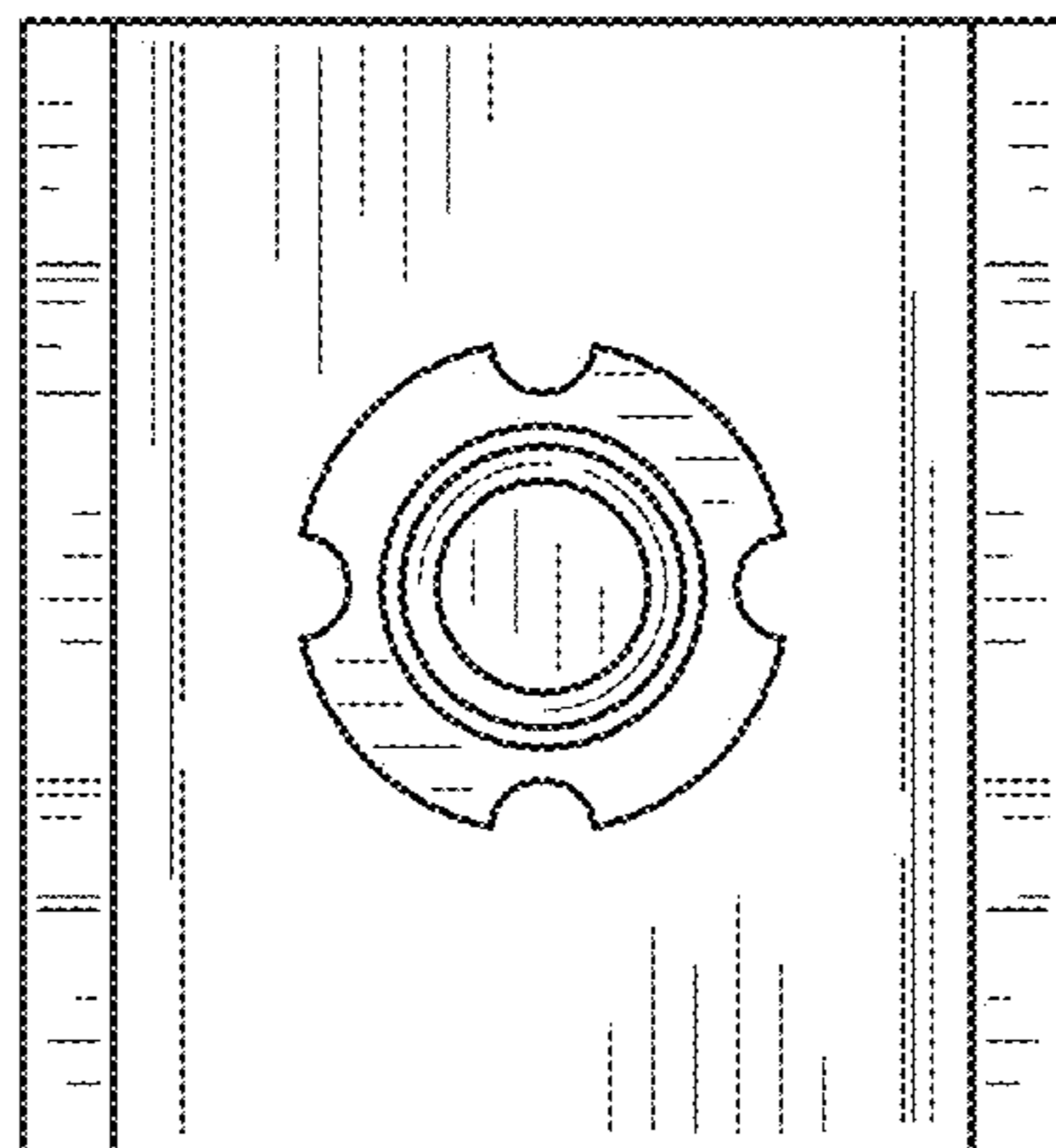


FIG. 7

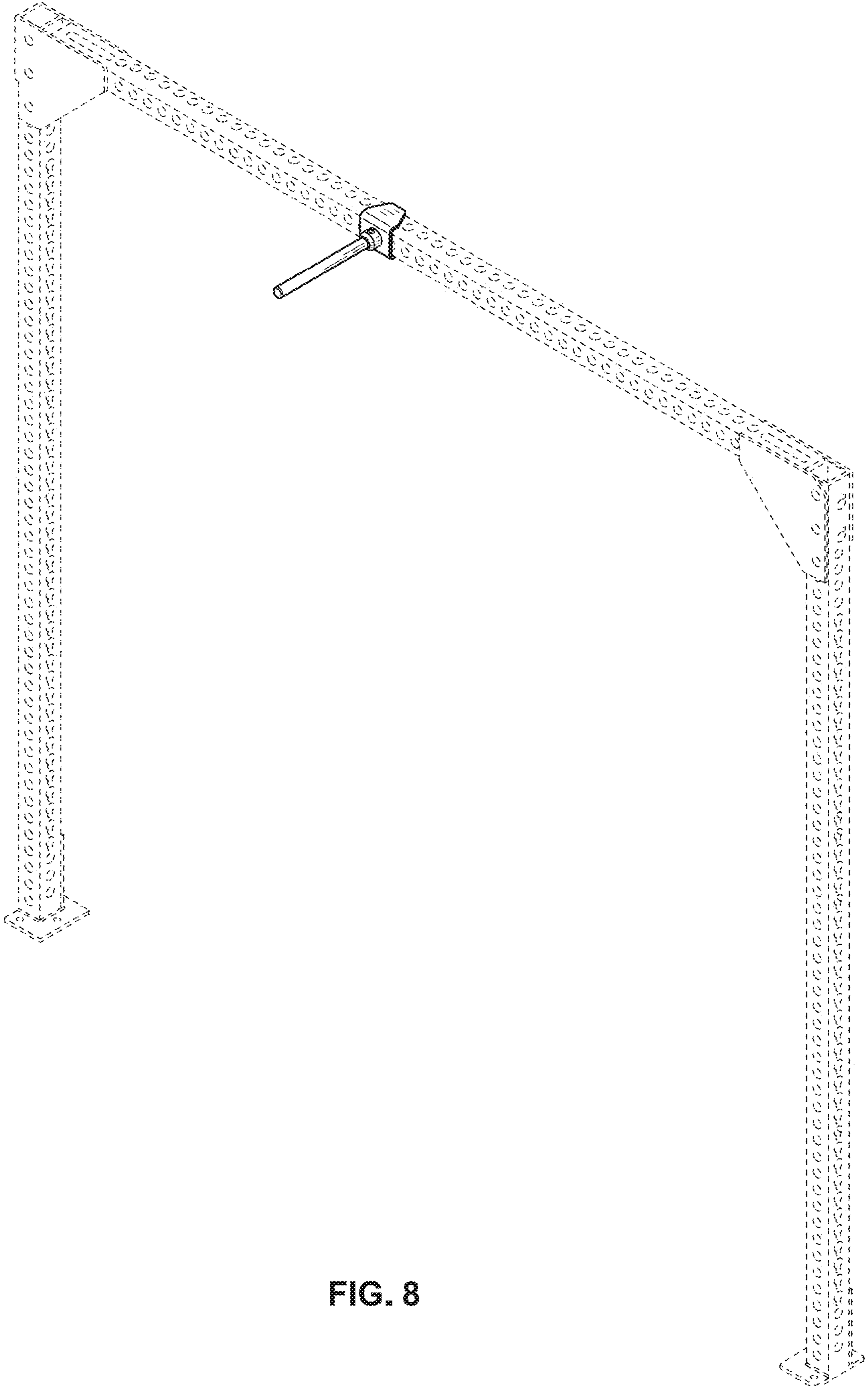


FIG. 8

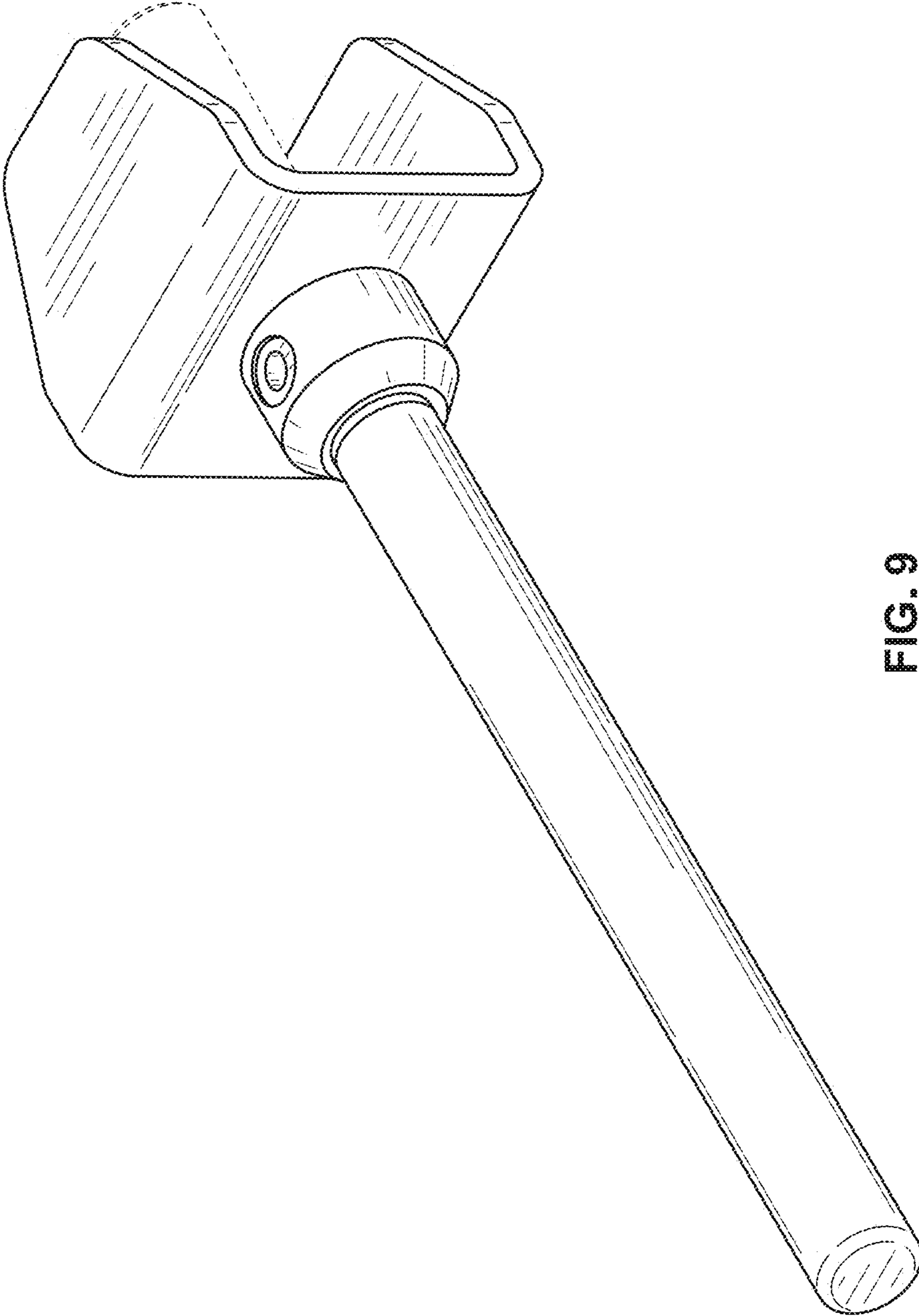


FIG. 9



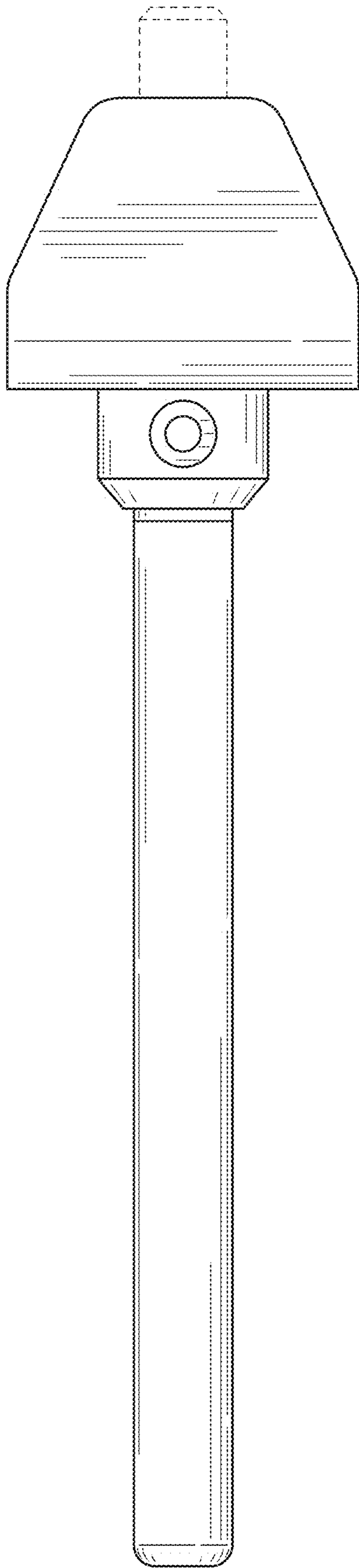


FIG. 10

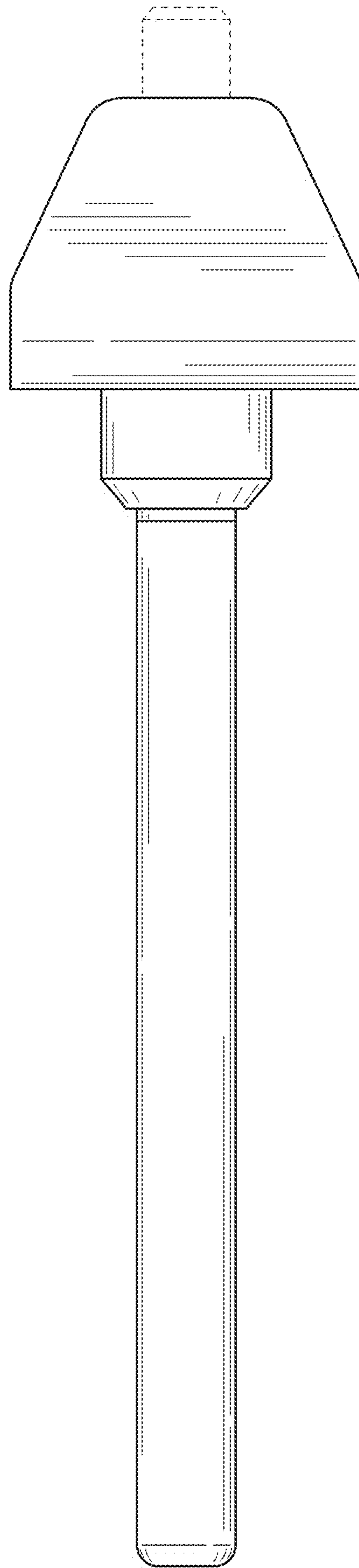


FIG. 11

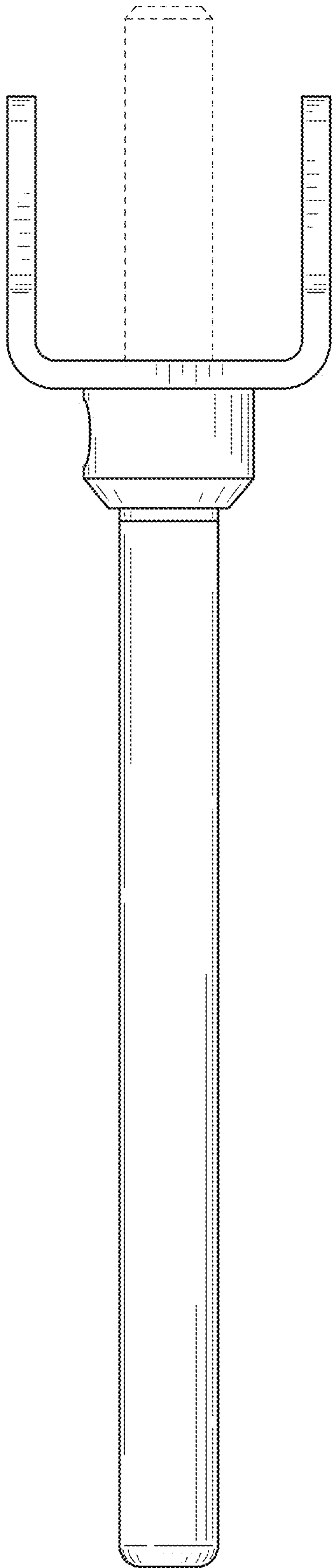


FIG. 12

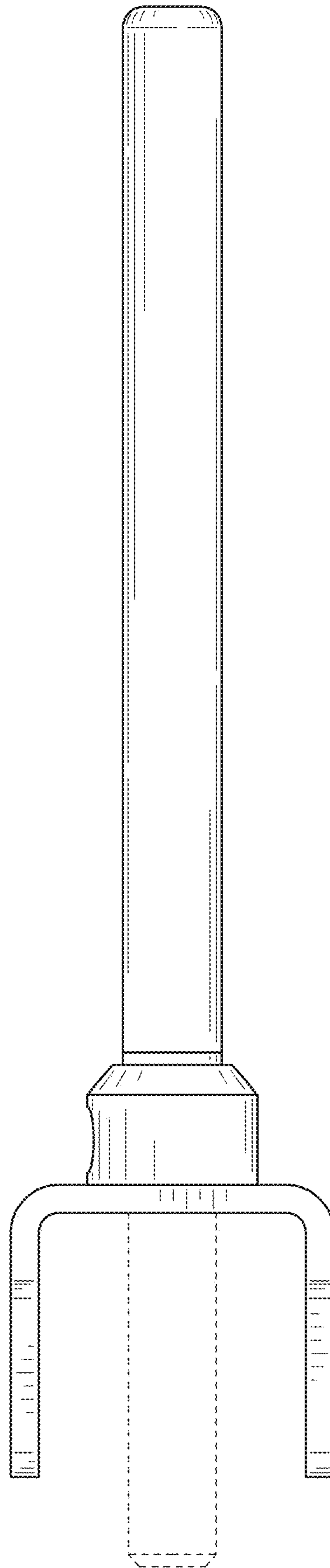


FIG. 13

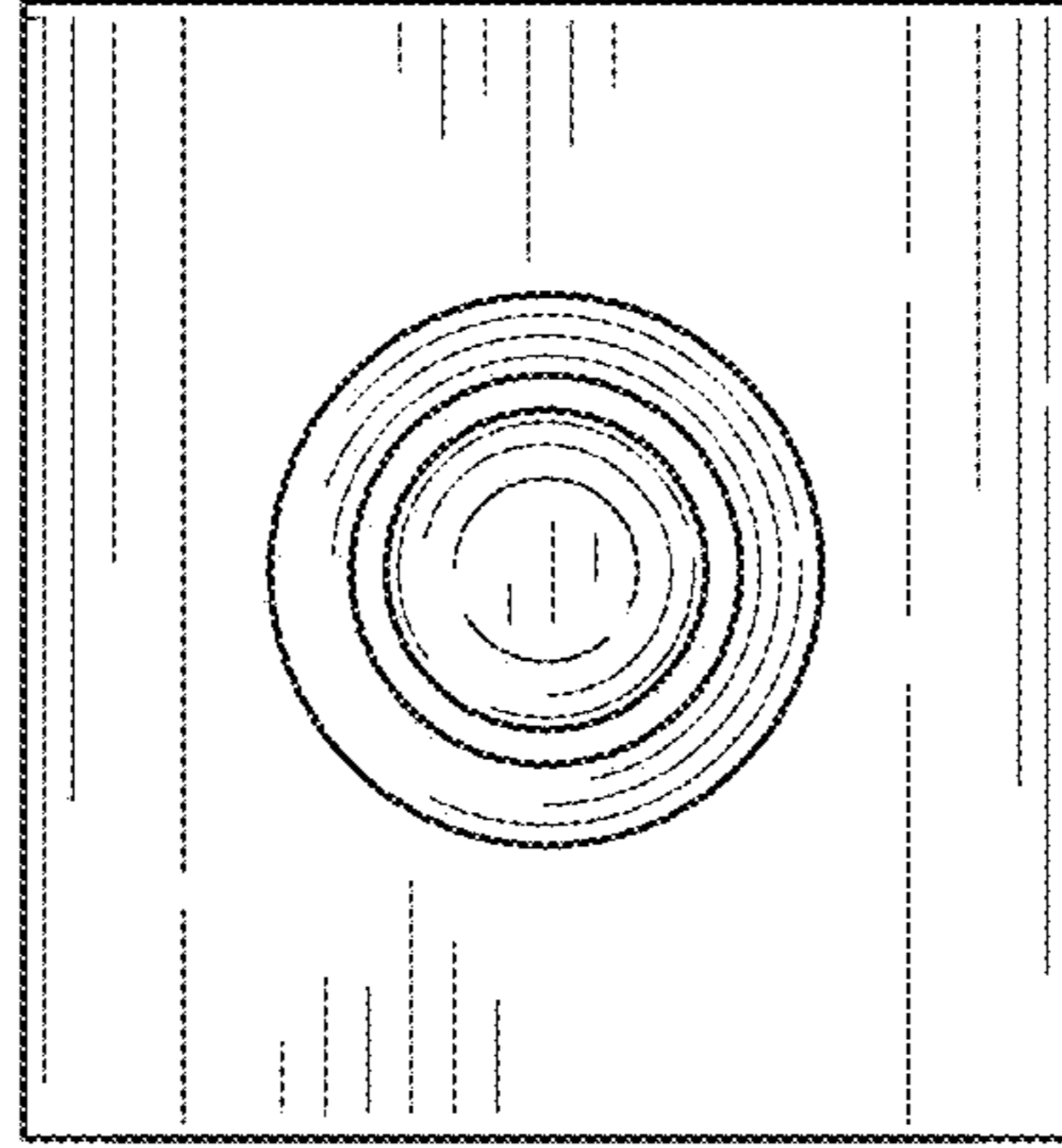


FIG. 15

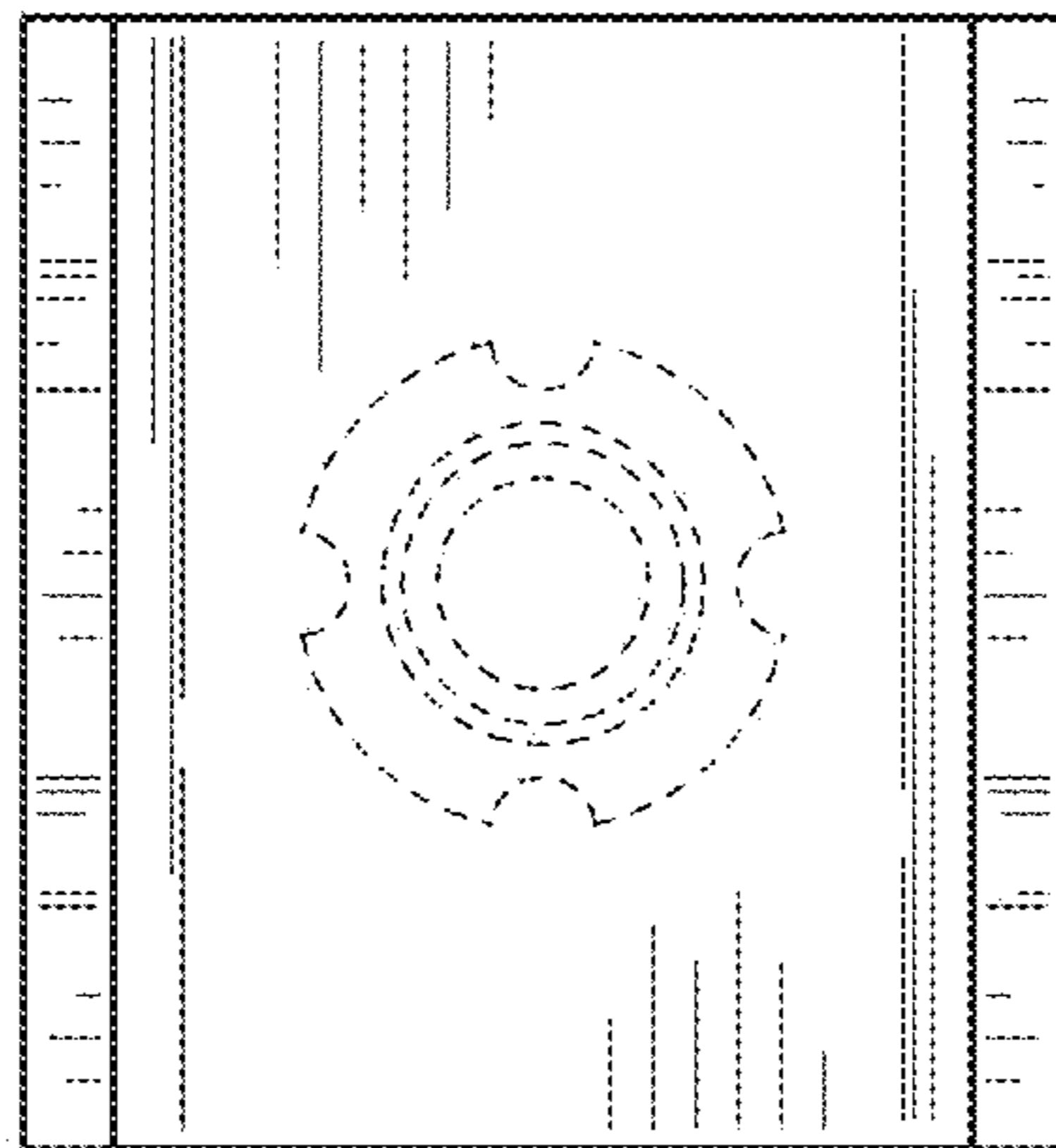


FIG. 14

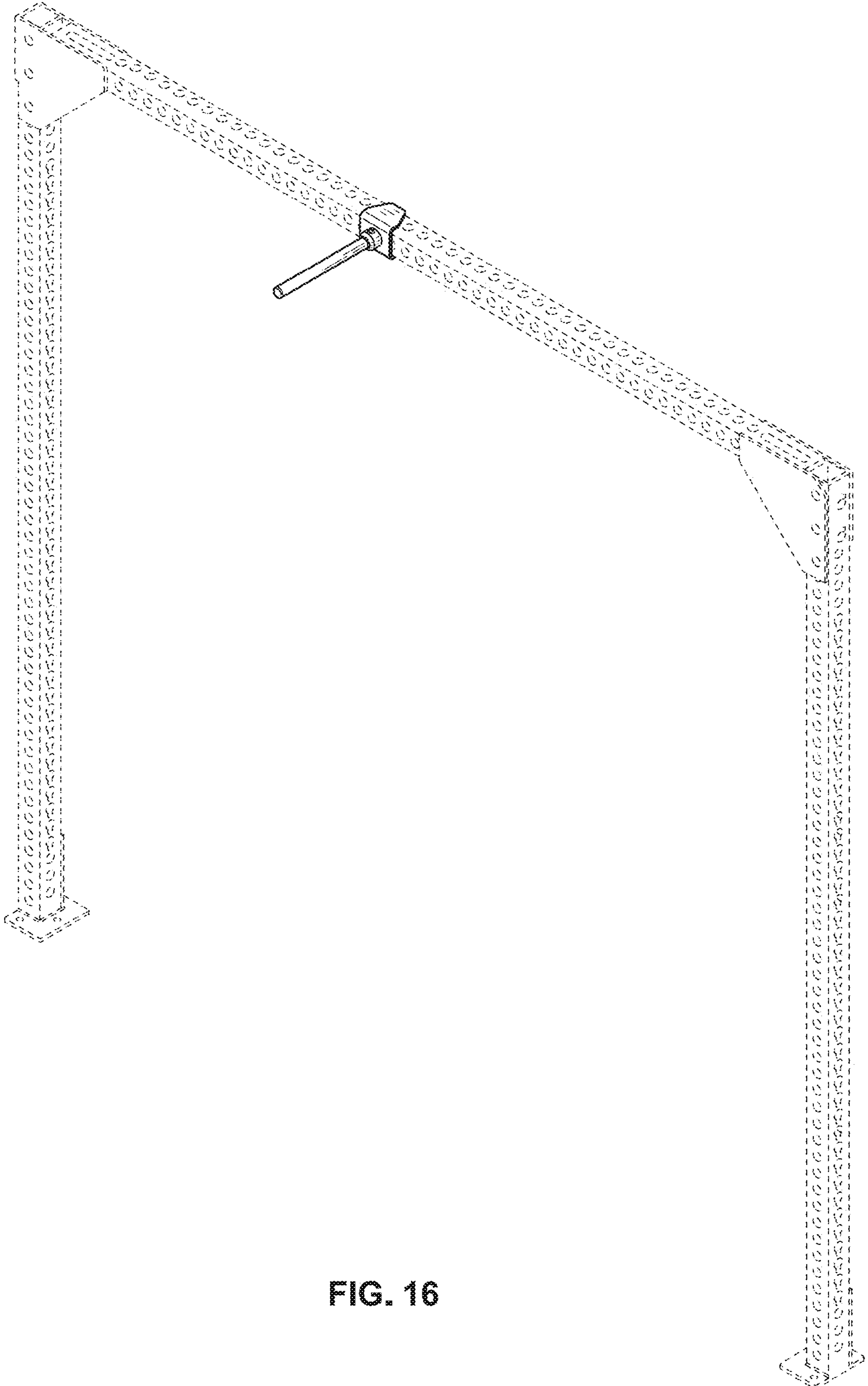


FIG. 16