

US00D906447S

(12) **United States Design Patent**
Benton

(10) **Patent No.:** **US D906,447 S**

(45) **Date of Patent:** **** Dec. 29, 2020**

(54) **MUSCLE MASSAGE ROLLER**

(71) Applicant: **Charles Benton**, Lakewood, CO (US)

(72) Inventor: **Charles Benton**, Lakewood, CO (US)

(**) Term: **15 Years**

(21) Appl. No.: **29/689,456**

(22) Filed: **Apr. 30, 2019**

(51) **LOC (12) Cl.** **21-02**

(52) **U.S. Cl.**
USPC **D21/681**

(58) **Field of Classification Search**
USPC D21/691, 464, 662, 498, 681; 482/121,
482/108; D24/211, 184, 183, 200, 215,
D24/214, 155; D6/601; 601/120, 27,
601/121; D30/160
CPC A61H 15/00; A61H 15/0092; A61H
2205/081; A61H 2015/0042; A61H
2201/1284; A61H 2205/12; A61H 39/04;
A61H 2015/0014
See application file for complete search history.

5,135,455 A 8/1992 King
5,829,099 A 11/1998 Kopelman
5,865,146 A * 2/1999 Markham A01K 15/026
119/707
D418,881 S 1/2000 Cousins
D478,947 S * 8/2003 Lu D21/662
D492,791 S * 7/2004 Alexander D24/211
D498,273 S 11/2004 Kuo
7,189,210 B1 * 3/2007 Hillman A61H 15/00
601/27
D628,249 S * 11/2010 Wu D21/681
D675,736 S * 2/2013 Garza-Vale D24/155
D687,159 S * 7/2013 Cho D24/215
D717,378 S * 11/2014 Balanchi D21/498
D717,963 S * 11/2014 Milton D24/215
D724,161 S * 3/2015 Kuhne D21/662
D747,832 S * 1/2016 Setser D30/160
D751,724 S * 3/2016 Nelson D24/211
D777,340 S * 1/2017 Nelson D24/211
D820,993 S * 6/2018 Huang D24/215
D822,918 S * 7/2018 Woods D30/160
D827,847 S * 9/2018 Downare D24/211
10,071,013 B2 * 9/2018 Allen A61H 15/00
D857,129 S * 8/2019 Lim D21/662
D879,887 S * 3/2020 Loftin, III D21/662

(Continued)

Primary Examiner — Ryan Harvey

(56) **References Cited**

U.S. PATENT DOCUMENTS

1,554,781 A * 9/1925 Blecker A63B 67/16
446/255
D197,899 S 4/1964 Sutcliffe
D215,057 S 8/1969 Sun
D224,946 S * 10/1972 De Ramel D24/211
3,705,579 A * 12/1972 Morini A61H 15/00
601/121
D264,625 S * 5/1982 Shiu D21/684
4,785,800 A * 11/1988 Stilson A61H 15/00
601/121
D317,373 S * 6/1991 Turner 446/255
D318,886 S * 8/1991 de Oliveira D21/464
D322,321 S * 12/1991 Sue D24/214

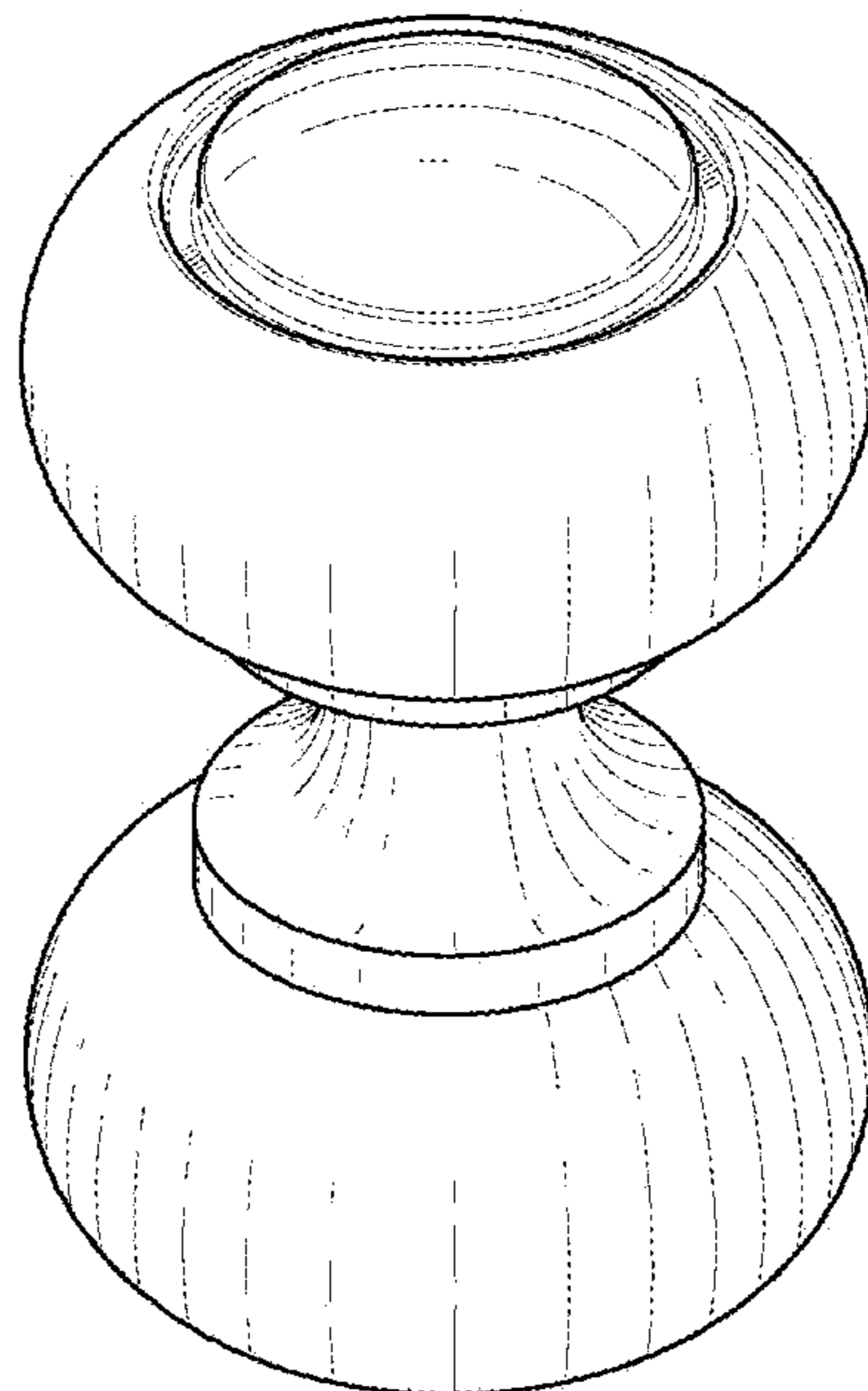
(57) **CLAIM**

I claim the ornamental design for a muscle massage roller, as shown and described.

DESCRIPTION

FIG. 1 is a front view of the muscle massage roller.
FIG. 2 is a rear view of the claimed design.
FIG. 3 is a left side view of the claimed design.
FIG. 4 is a right side view of the claimed design.
FIG. 5 is a top view of the claimed design.
FIG. 6 is a bottom view of the claimed design; and,
FIG. 7 is a perspective view of the claimed design.

1 Claim, 4 Drawing Sheets



(56)

References Cited

U.S. PATENT DOCUMENTS

2005/0045115 A1* 3/2005 Mann A01K 15/026
119/711
2007/0087917 A1 4/2007 Kemery
2014/0350443 A1* 11/2014 Raines A61H 15/0092
601/120
2015/0251043 A1* 9/2015 Holderbaum A63B 23/1236
482/108
2019/0046393 A1* 2/2019 Gagliano A61H 15/00
2019/0046395 A1* 2/2019 Routledge A61H 15/00

* cited by examiner

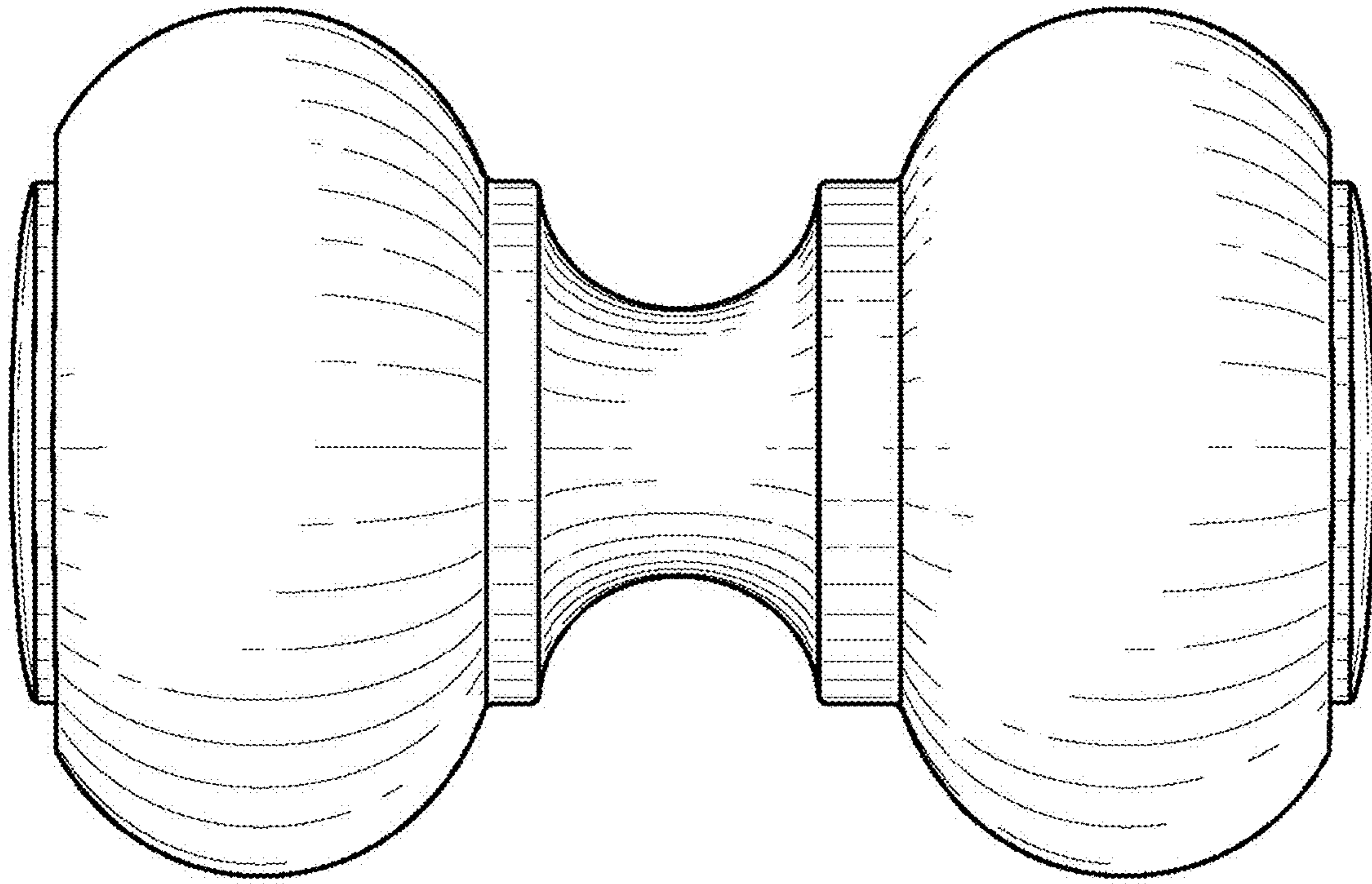


FIG. 2

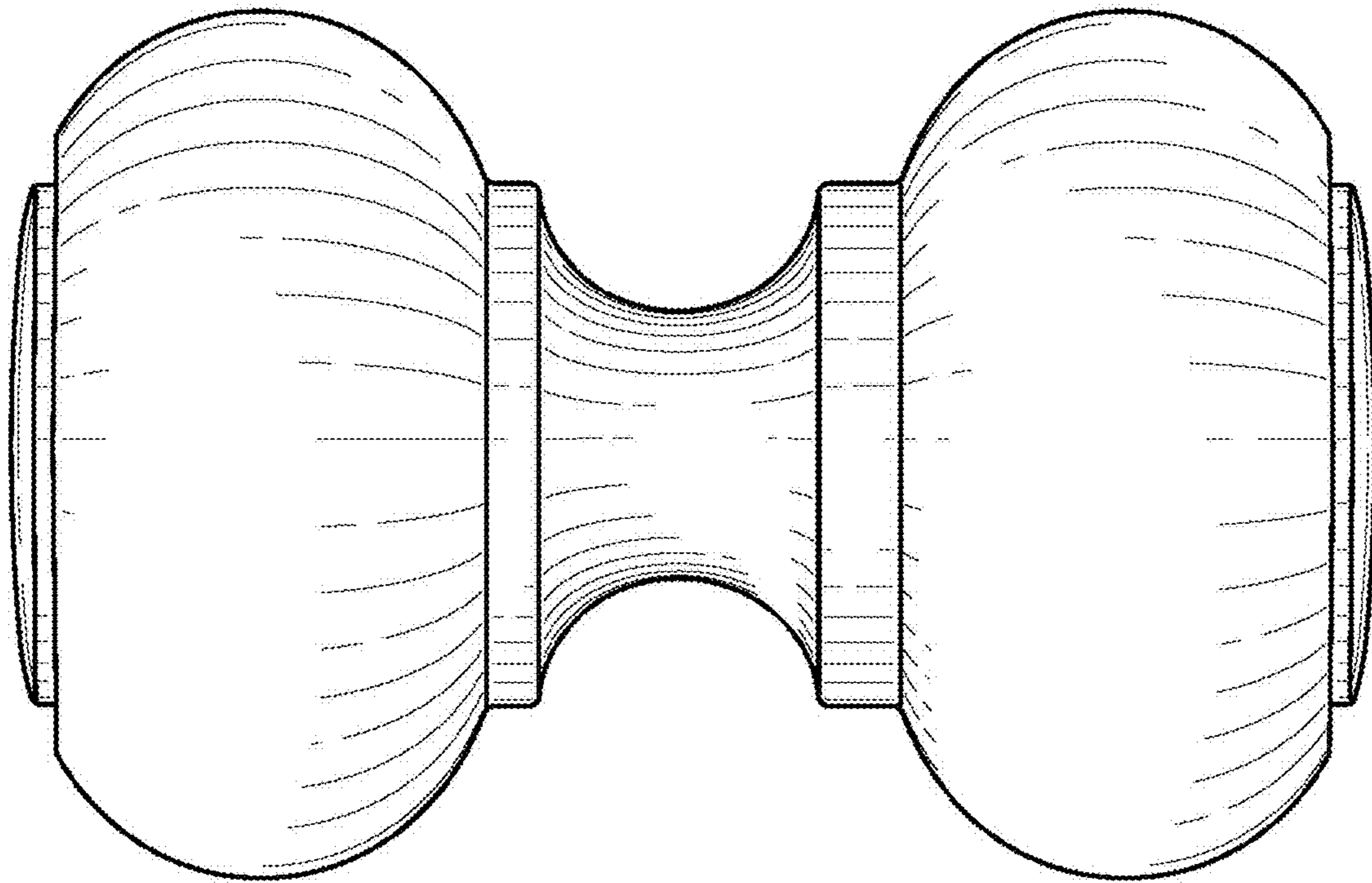


FIG. 1

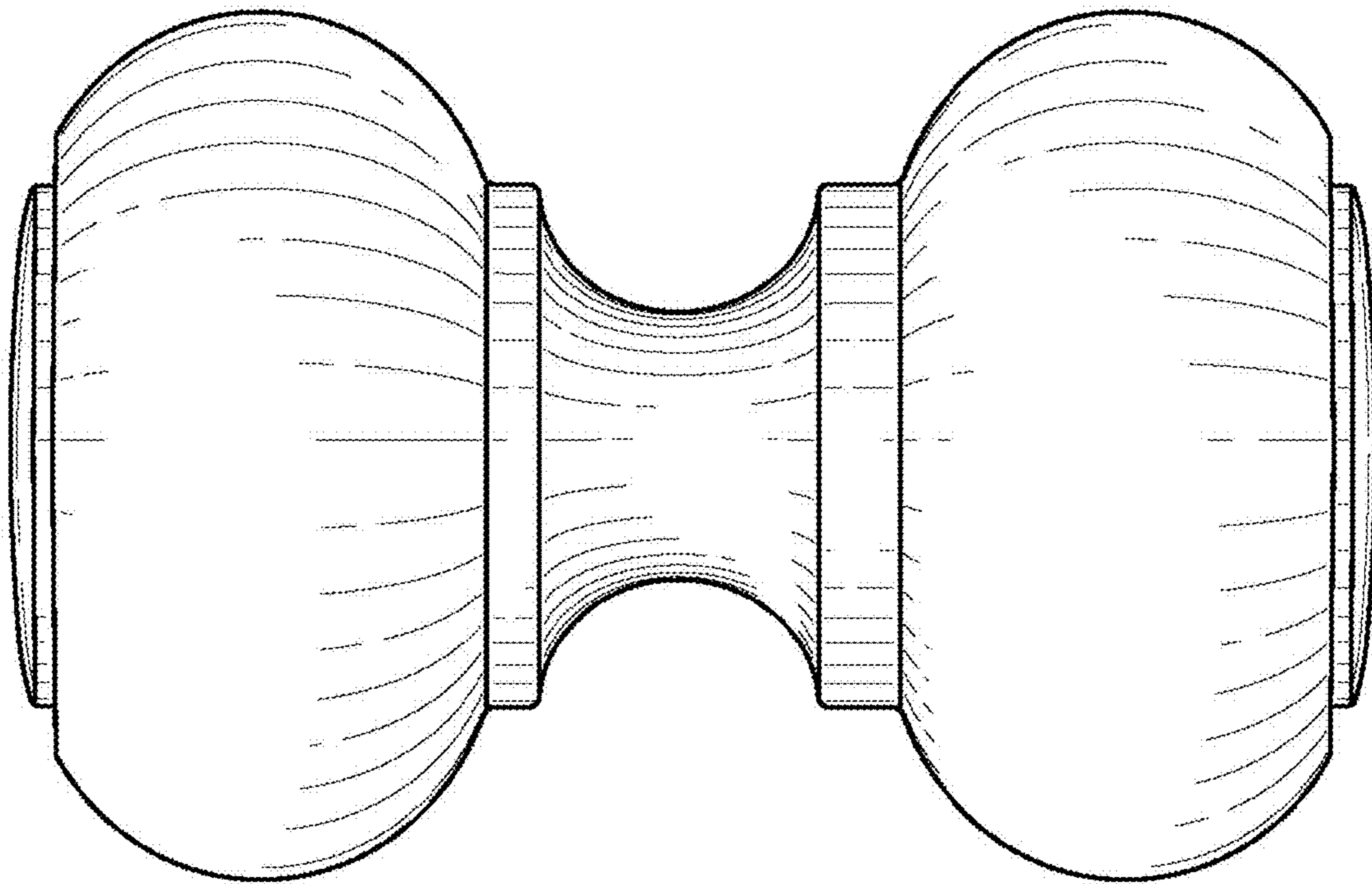


FIG. 4

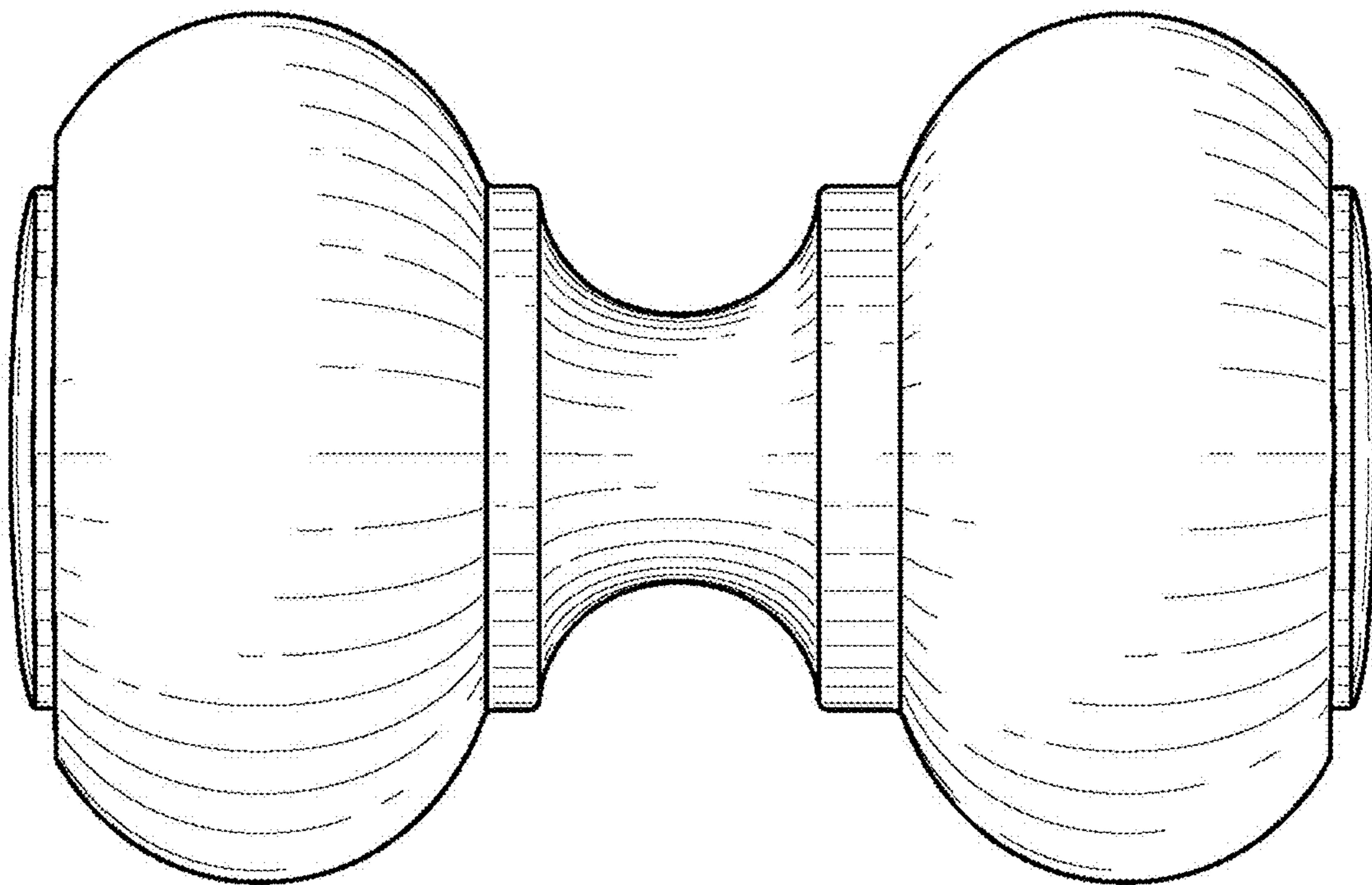


FIG. 3

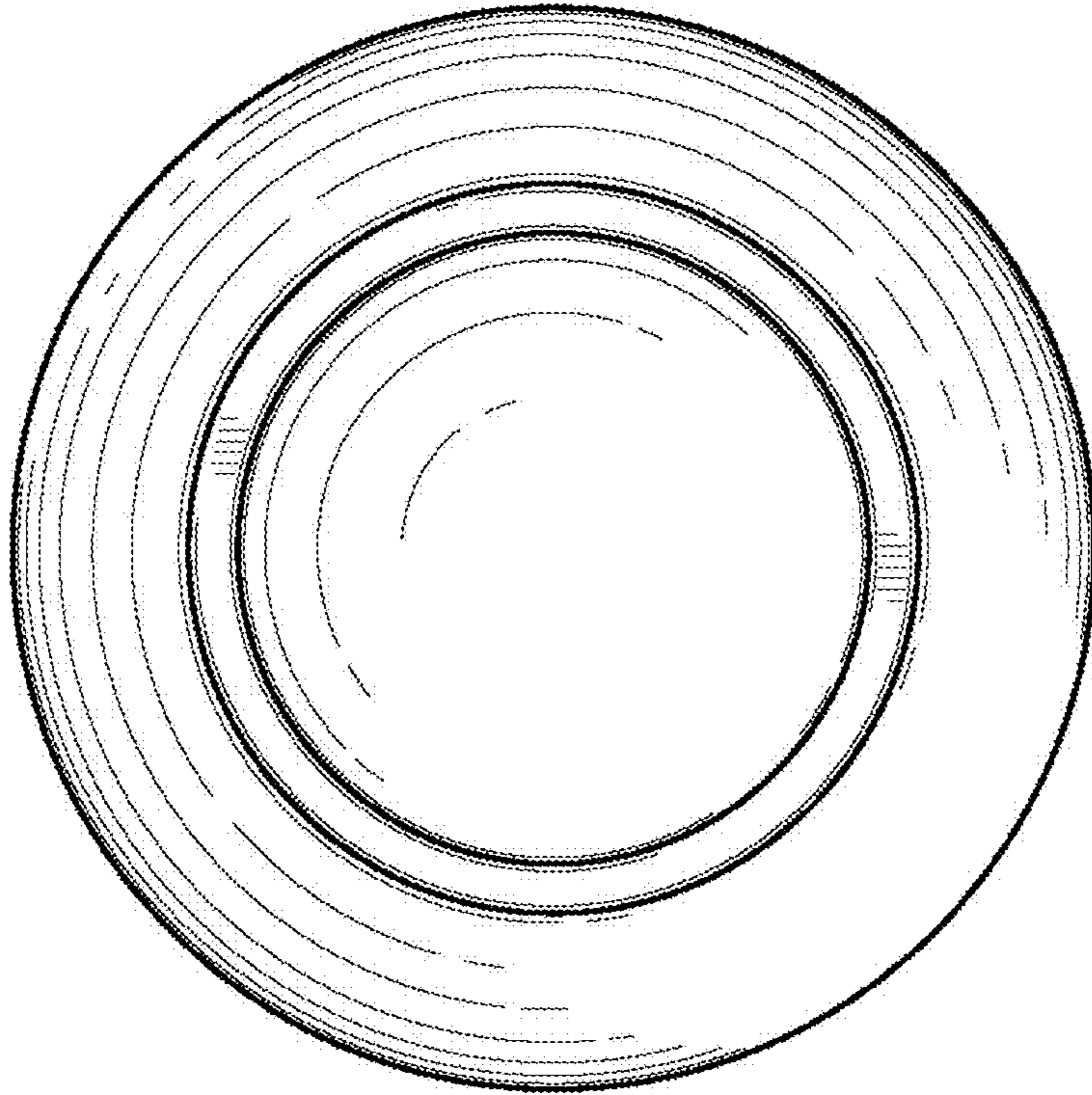


FIG. 6

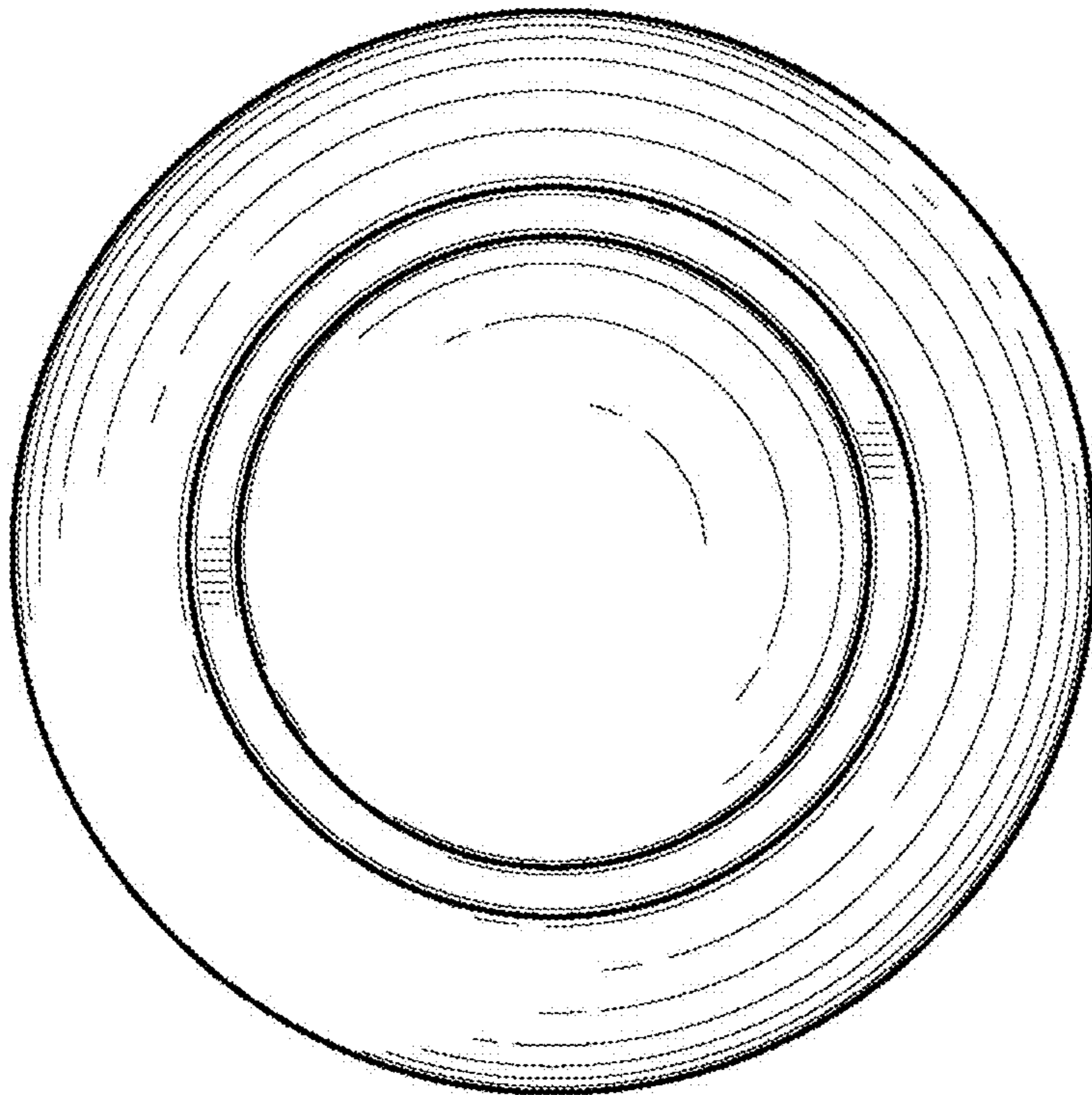


FIG. 5

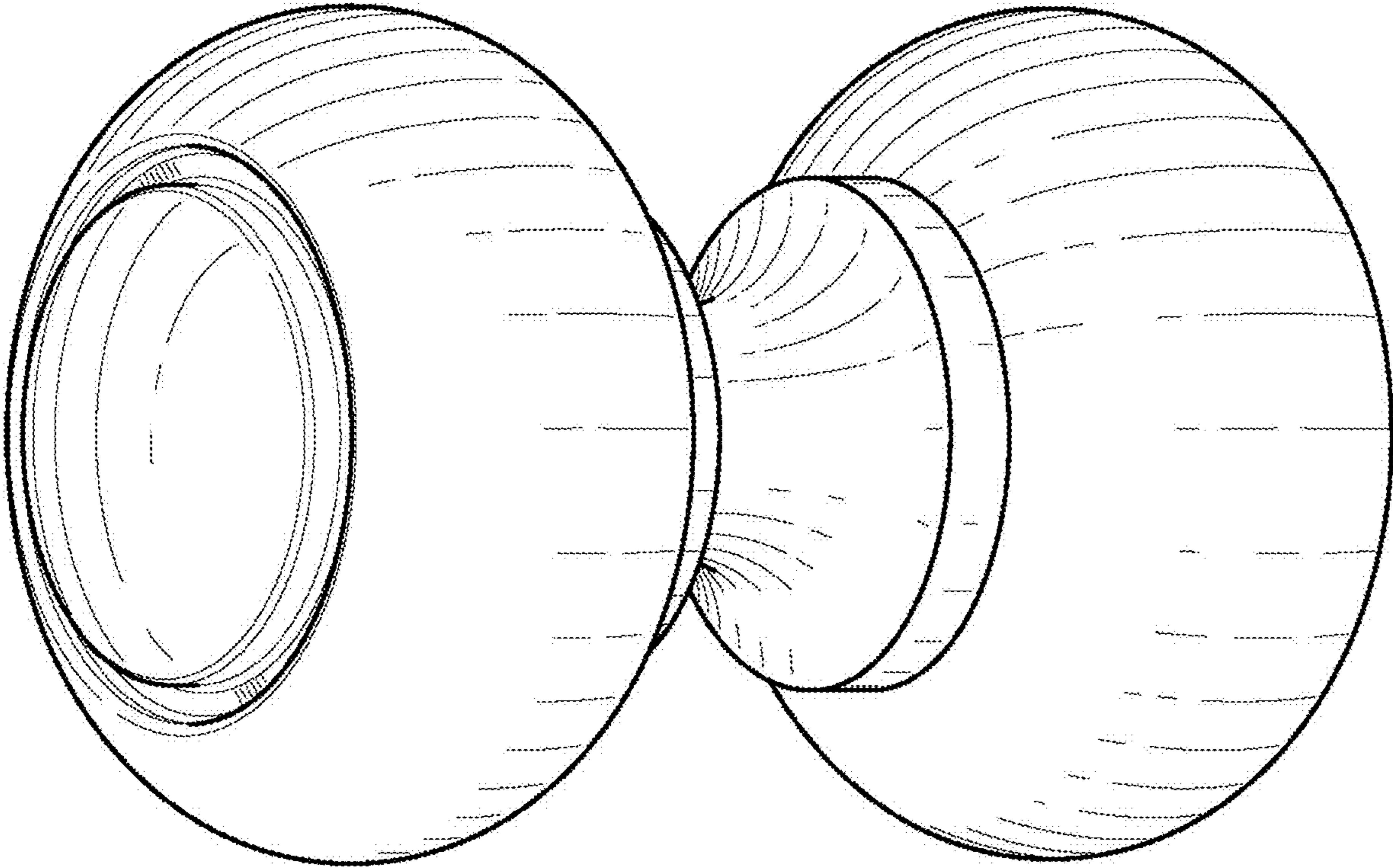


FIG. 7