



US00D906446S

(12) **United States Design Patent** (10) **Patent No.:** **US D906,446 S**
Liu (45) **Date of Patent:** **** Dec. 29, 2020**

(54) **FITNESS BALL**
(71) Applicant: **ANDTech Global International trading LLC**, San Jose, CA (US)
(72) Inventor: **Xuechen Liu**, Shenzhen (CN)
(**) Term: **15 Years**
(21) Appl. No.: **29/739,861**
(22) Filed: **Jun. 30, 2020**
(51) **LOC (12) Cl.** **21-02**
(52) **U.S. Cl.**
USPC **D21/680**
(58) **Field of Classification Search**
USPC D21/680, 714, 713, 707, 682, 662, 398;
D30/160; 482/93, 132; D24/215
CPC ... A63B 21/072; A63B 21/4035; A63B 21/06;
A63B 21/0004; A63B 23/12; A01K
15/026; A01K 15/025
See application file for complete search history.

D706,875 S * 6/2014 Saber D21/398
8,870,719 B2 * 10/2014 Johnson A63B 21/075
482/93
D718,825 S * 12/2014 Ross D21/662
D722,730 S * 2/2015 Simon D30/160
D730,461 S * 5/2015 Bennett D21/713
D748,871 S * 2/2016 Setser D30/160
D769,377 S * 10/2016 Wolff D21/398
D774,150 S * 12/2016 Holland D21/713

(Continued)

OTHER PUBLICATIONS

TITISKIN by TITIskin dated Nov. 10, 2020. Found online [Nov. 10, 2020] https://www.amazon.com/TITISKIN-Weighted-Strength-Training-Total-Body/dp/B08JZ39NNN/ref=sr_1_55/?dchild=1&keywords=fitness%2Bball&qid=1605022010&sr=8-55&th=1 .*

(Continued)

Primary Examiner — Ryan Harvey
(74) *Attorney, Agent, or Firm* — HYIP

(57) **CLAIM**

The ornamental design for a fitness ball, as shown and described.

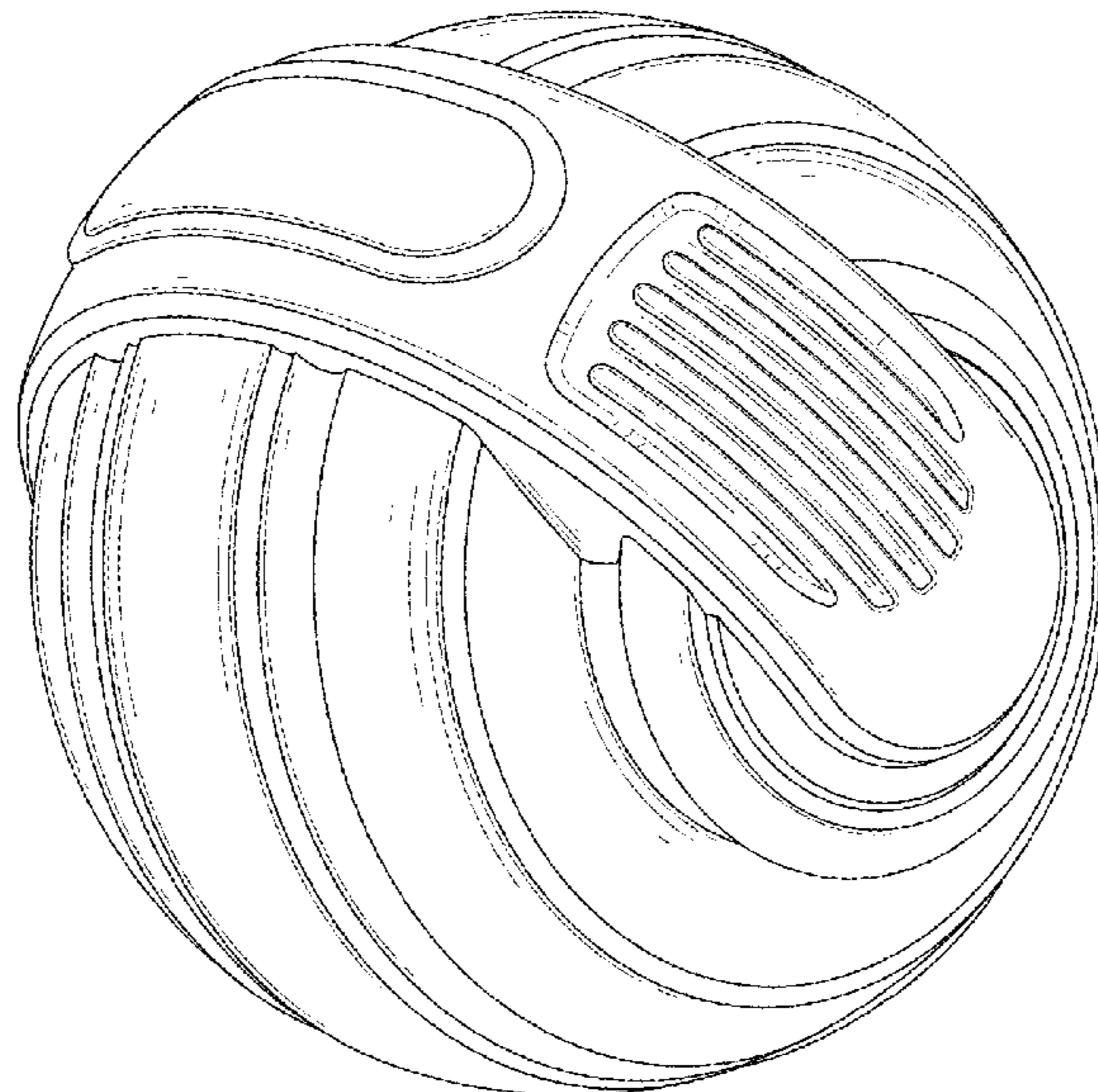
DESCRIPTION

FIG. 1 is a first perspective view of a fitness ball showing my new design;
FIG. 2 is a second perspective view thereof;
FIG. 3 is a front view thereof;
FIG. 4 is a back view thereof;
FIG. 5 is a left side view thereof;
FIG. 6 is a right side view thereof;
FIG. 7 is a top view thereof; and,
FIG. 8 is a bottom view thereof.
The broken lines shown in the drawings depict portions of the fitness ball in which the design is embodied that form no part of the claimed design.

1 Claim, 8 Drawing Sheets

(56) **References Cited**
U.S. PATENT DOCUMENTS

D370,243 S * 5/1996 Thompson D21/707
D421,078 S * 2/2000 Weiss, Jr. D21/713
D494,233 S * 8/2004 Kerry D21/662
D516,646 S * 3/2006 Yang D21/713
D565,806 S * 4/2008 Rutherford D30/160
D568,950 S * 5/2008 Yewer, Jr. D21/662
D609,290 S * 2/2010 Oblack D21/714
D617,509 S * 6/2010 Rutherford D30/160
D642,230 S * 7/2011 Kessler D21/662
D651,671 S * 1/2012 Ross D21/680
D658,243 S * 4/2012 Saber D21/713
D663,793 S * 7/2012 Guarrasi D21/662
D673,740 S * 1/2013 Burger D30/160
D683,800 S * 6/2013 Ebio D21/662
D694,421 S * 11/2013 Anderson D24/215
D695,371 S 12/2013 Hedeem, Jr.
D698,875 S * 2/2014 Childs D21/662
D700,259 S * 2/2014 Lien D21/713



(56)

References Cited

U.S. PATENT DOCUMENTS

D775,286 S * 12/2016 Pawlas D21/680
 D775,287 S * 12/2016 Pawlas D21/680
 D791,889 S * 7/2017 Goldman D21/707
 D794,143 S * 8/2017 Rex D21/680
 D798,969 S * 10/2017 Lozito D21/682
 9,833,650 B2 * 12/2017 Jones A63B 22/0046
 D822,295 S * 7/2018 Woods D30/160
 D823,951 S 7/2018 Marton et al.
 10,010,470 B2 * 7/2018 Bradford A61H 15/0092
 D832,946 S * 11/2018 Lernihan D21/713
 D835,733 S * 12/2018 Whiteley A63B 43/02
 D21/713
 D837,908 S * 1/2019 Ross D21/680
 D838,417 S * 1/2019 Jiang D30/160
 D838,790 S * 1/2019 Chang D21/680
 D839,497 S * 1/2019 Steinkraus D30/160
 D843,527 S * 3/2019 Monnin D21/713
 D849,843 S * 5/2019 Lambert D21/333
 D854,258 S * 7/2019 Woods D30/160
 D861,084 S 9/2019 Wu
 D865,089 S * 10/2019 Oakley D21/713
 D867,489 S * 11/2019 Brezovar D21/680
 D871,603 S * 12/2019 Spratt D24/215
 D873,508 S * 1/2020 Loibl D30/160
 D874,748 S * 2/2020 Steinkraus D30/160
 D875,852 S * 2/2020 Brezovar D21/680
 D875,853 S * 2/2020 Brezovar D21/680

D876,660 S * 2/2020 Kim D24/215
 D886,397 S * 6/2020 Baker D30/160
 2004/0249322 A1 * 12/2004 Cohen A61H 7/001
 601/131
 2010/0203987 A1 * 8/2010 Bagley A63B 59/20
 473/571
 2012/0149536 A1 * 6/2012 Trimble A63B 21/00065
 482/93
 2012/0157270 A1 * 6/2012 Johnson A63B 21/075
 482/93
 2012/0263880 A1 * 10/2012 Lin B29C 33/42
 427/355
 2013/0139797 A1 * 6/2013 Oblack A63B 37/12
 124/5
 2014/0194258 A1 * 7/2014 Shorter A63B 21/072
 482/93
 2014/0336021 A1 * 11/2014 Jones A63B 21/0004
 482/132
 2016/0107017 A1 * 4/2016 Pawlas A63B 21/0004
 482/93
 2017/0106249 A1 * 4/2017 Marton A63B 24/0087
 2019/0001195 A1 * 1/2019 Chang A61H 15/00

OTHER PUBLICATIONS

Monkii by Monkii dated Jul. 16, 2020. Found online [Nov. 10, 2020] <https://monkii.co/collections/monkii-360/products/monkii-360-ultimate-system>.*

* cited by examiner

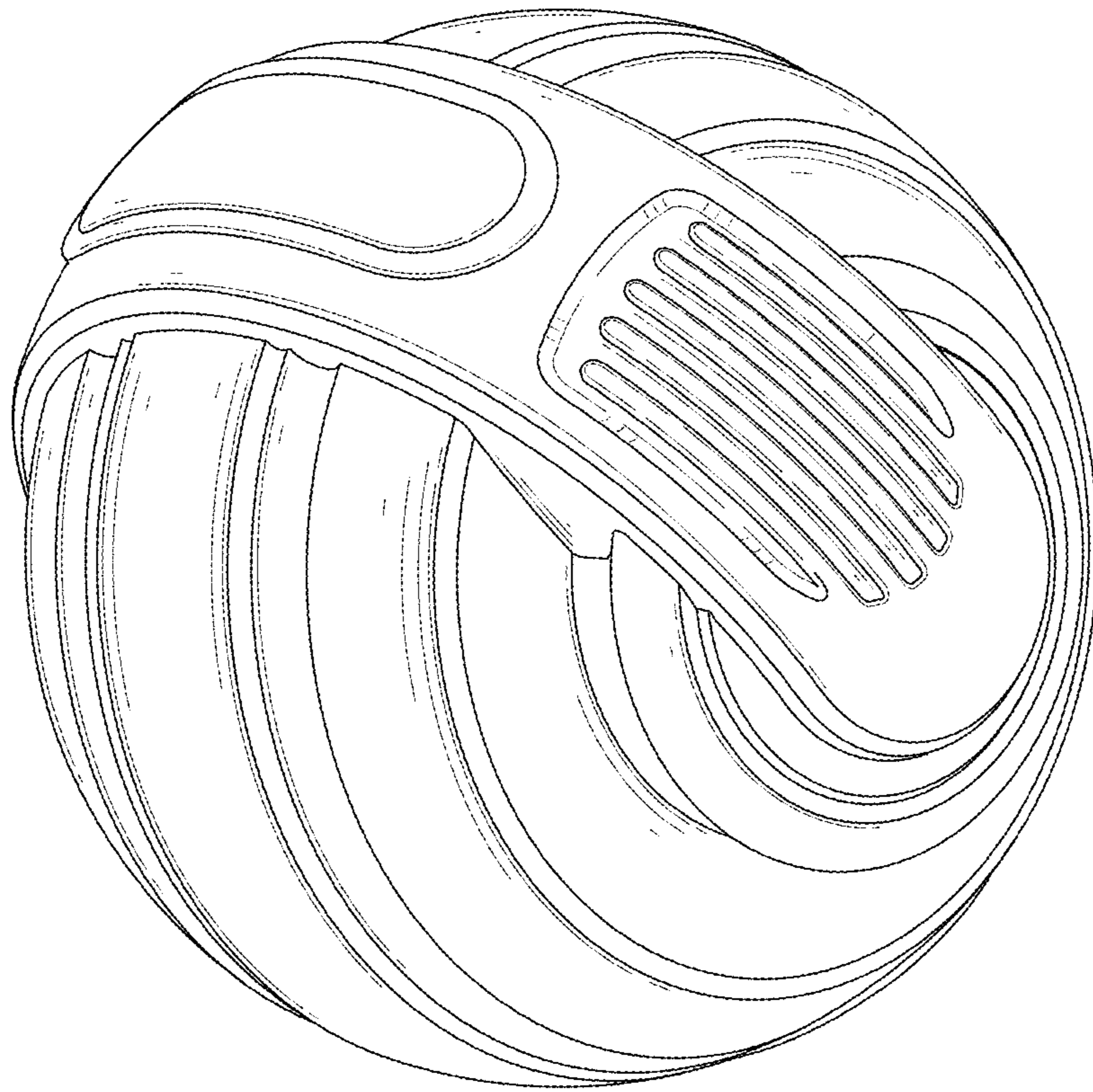


FIG. 1

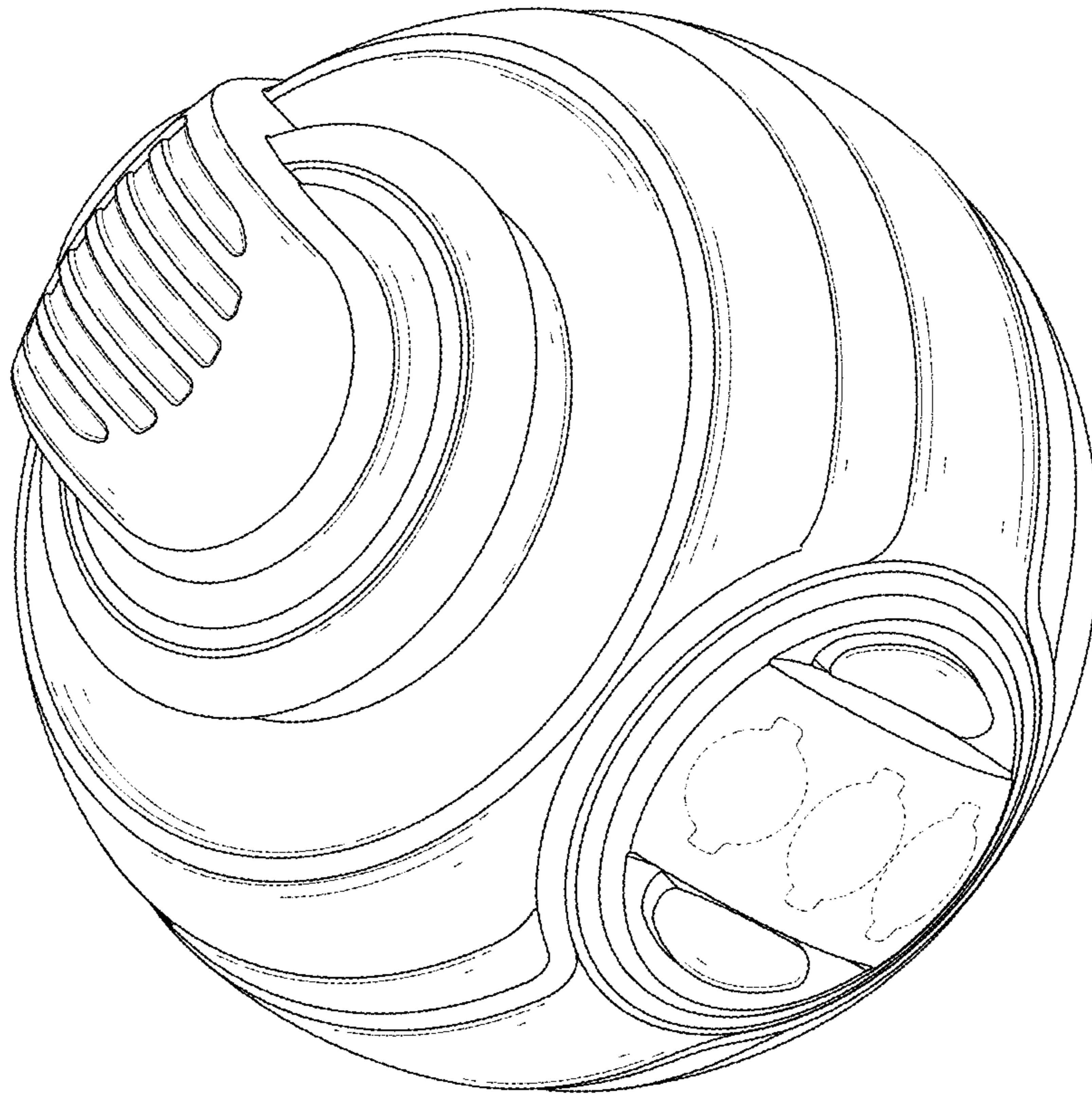


FIG. 2

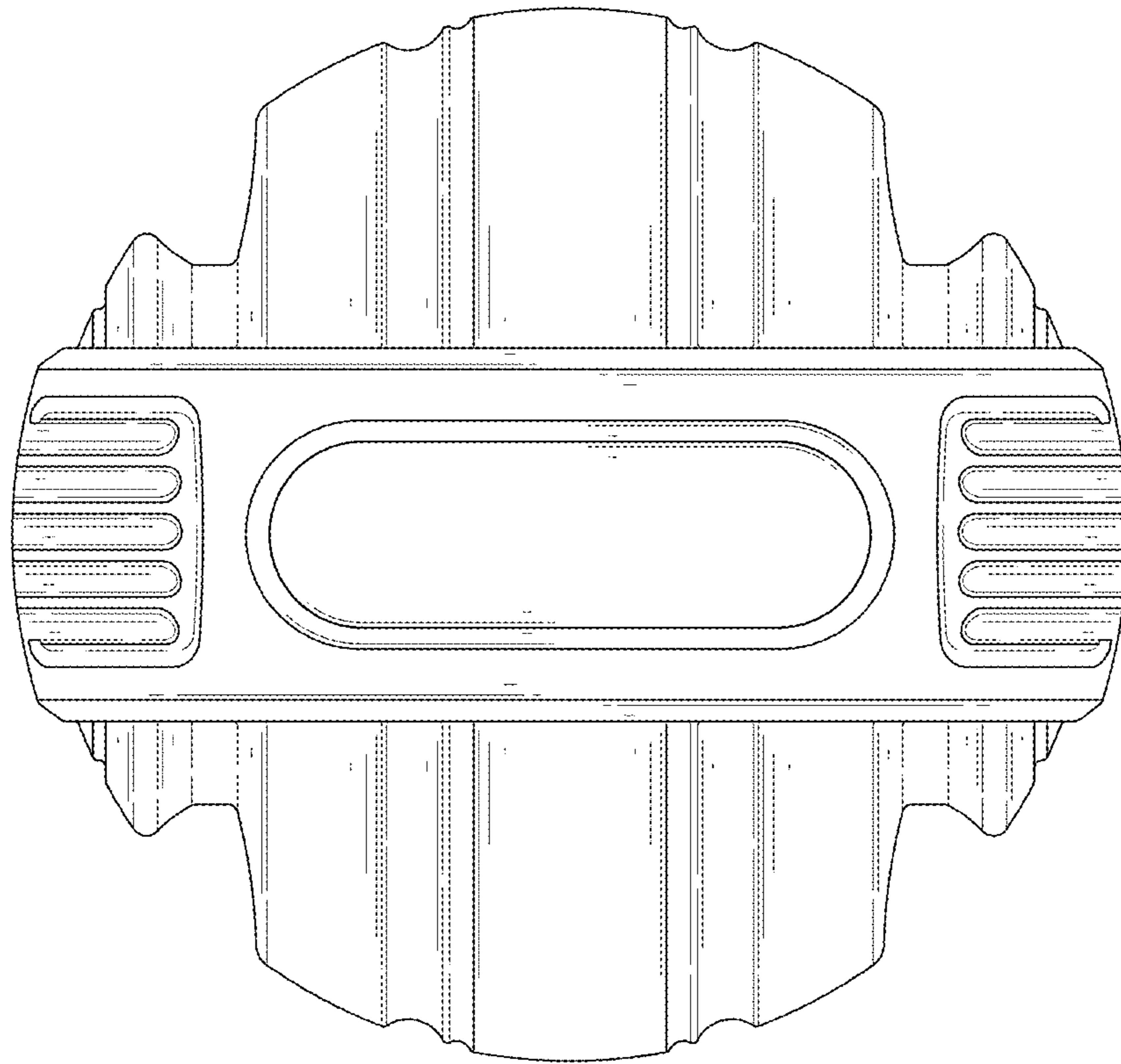


FIG. 3

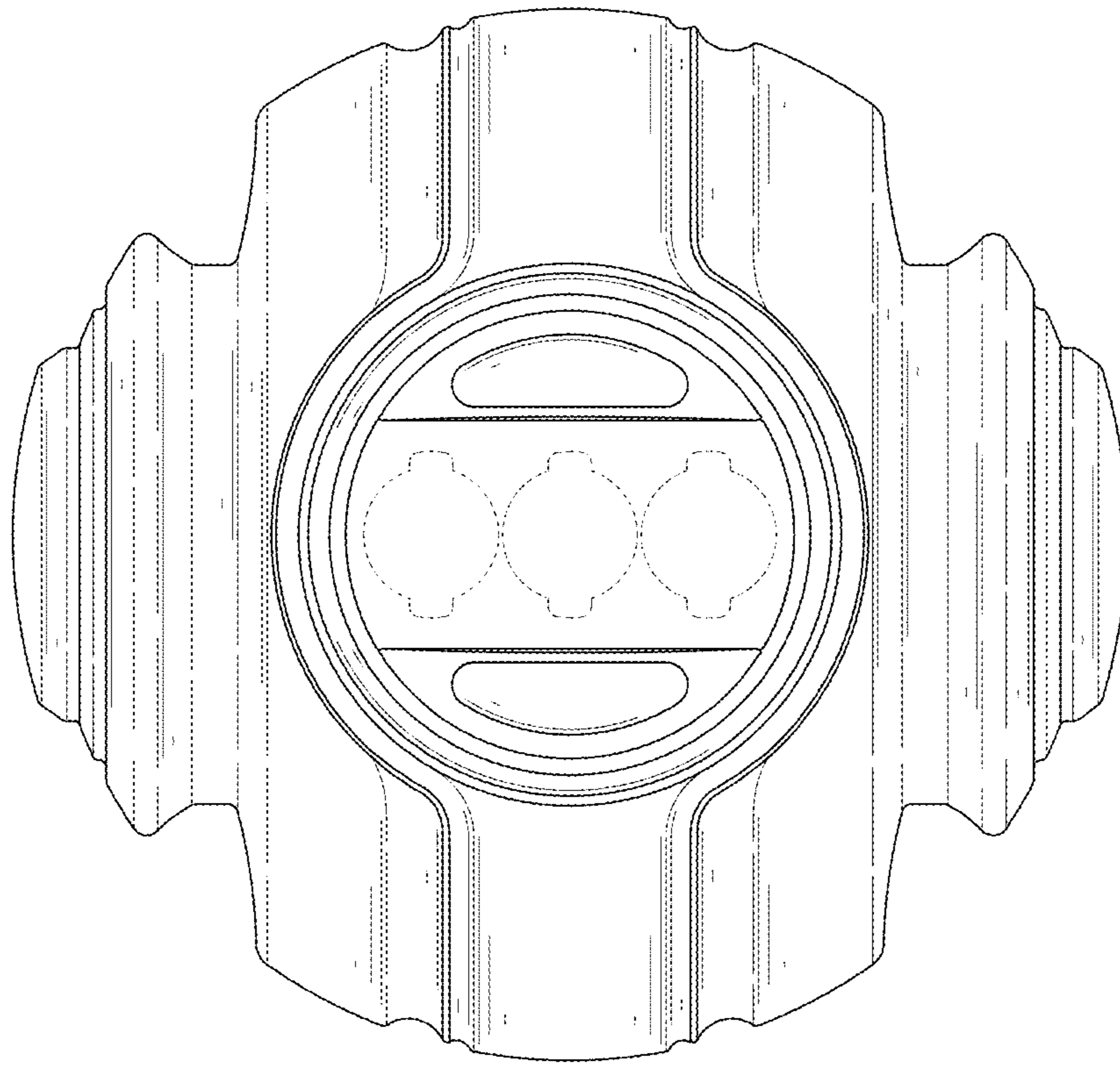


FIG. 4

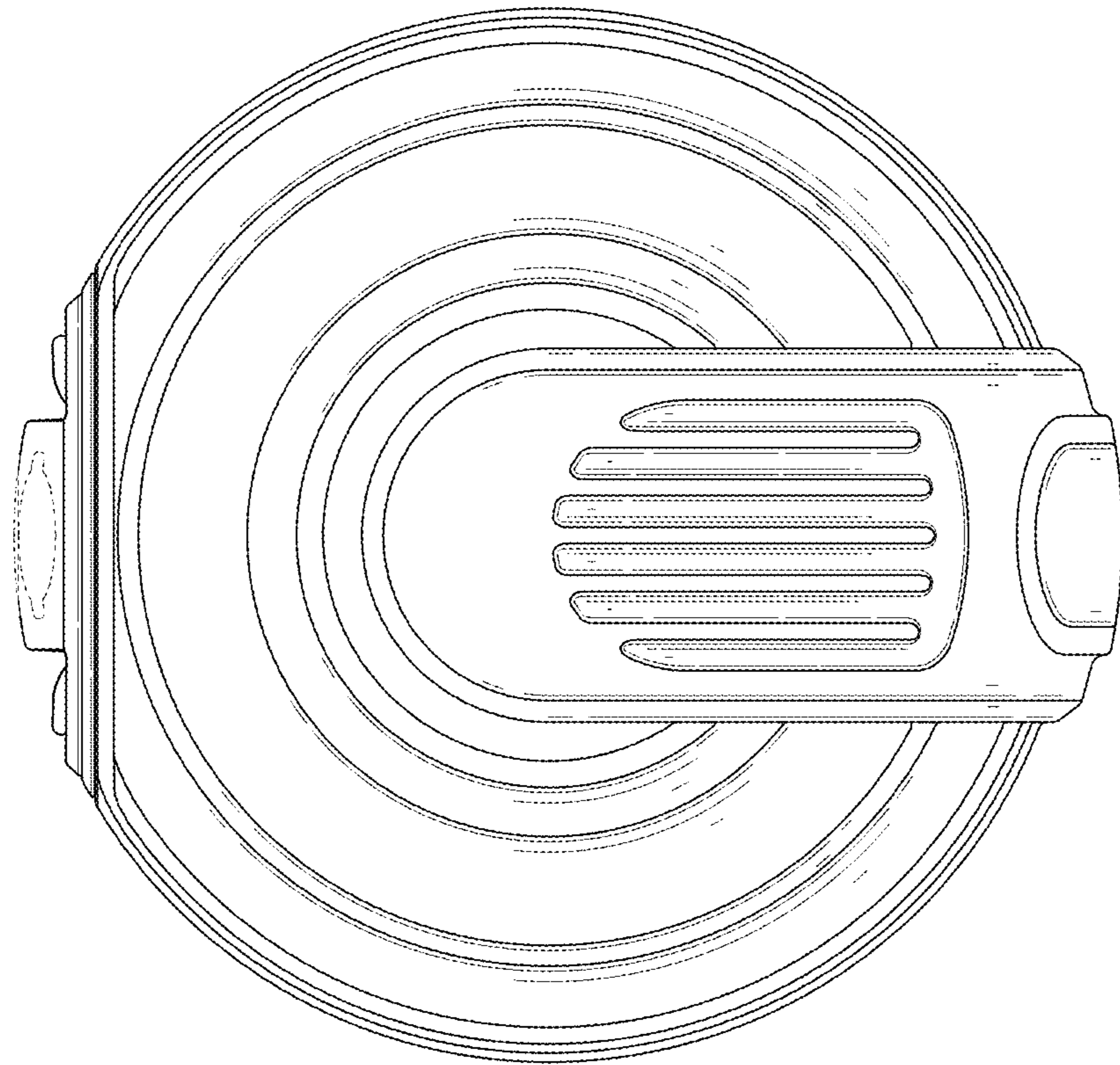


FIG. 5

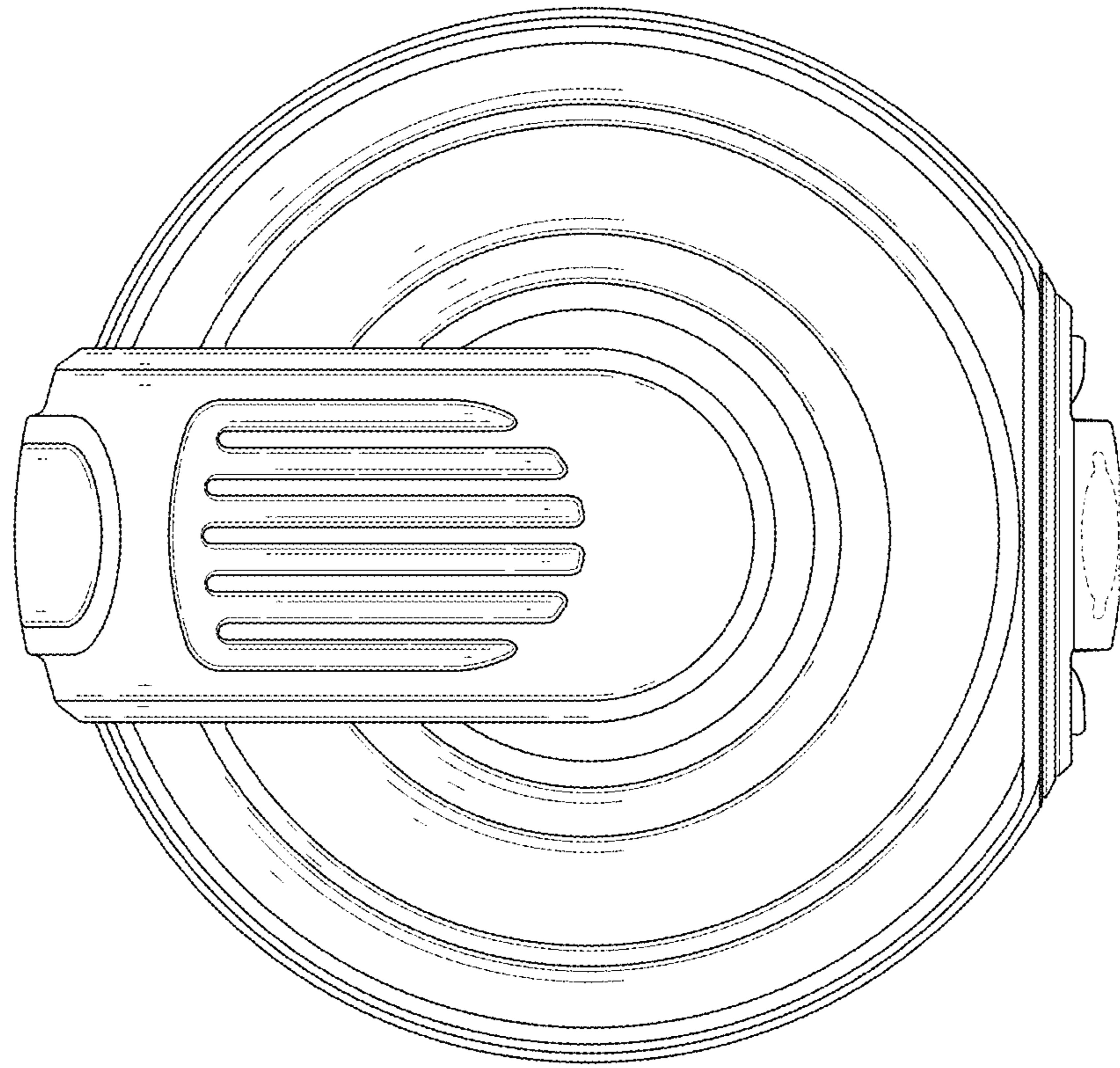


FIG. 6

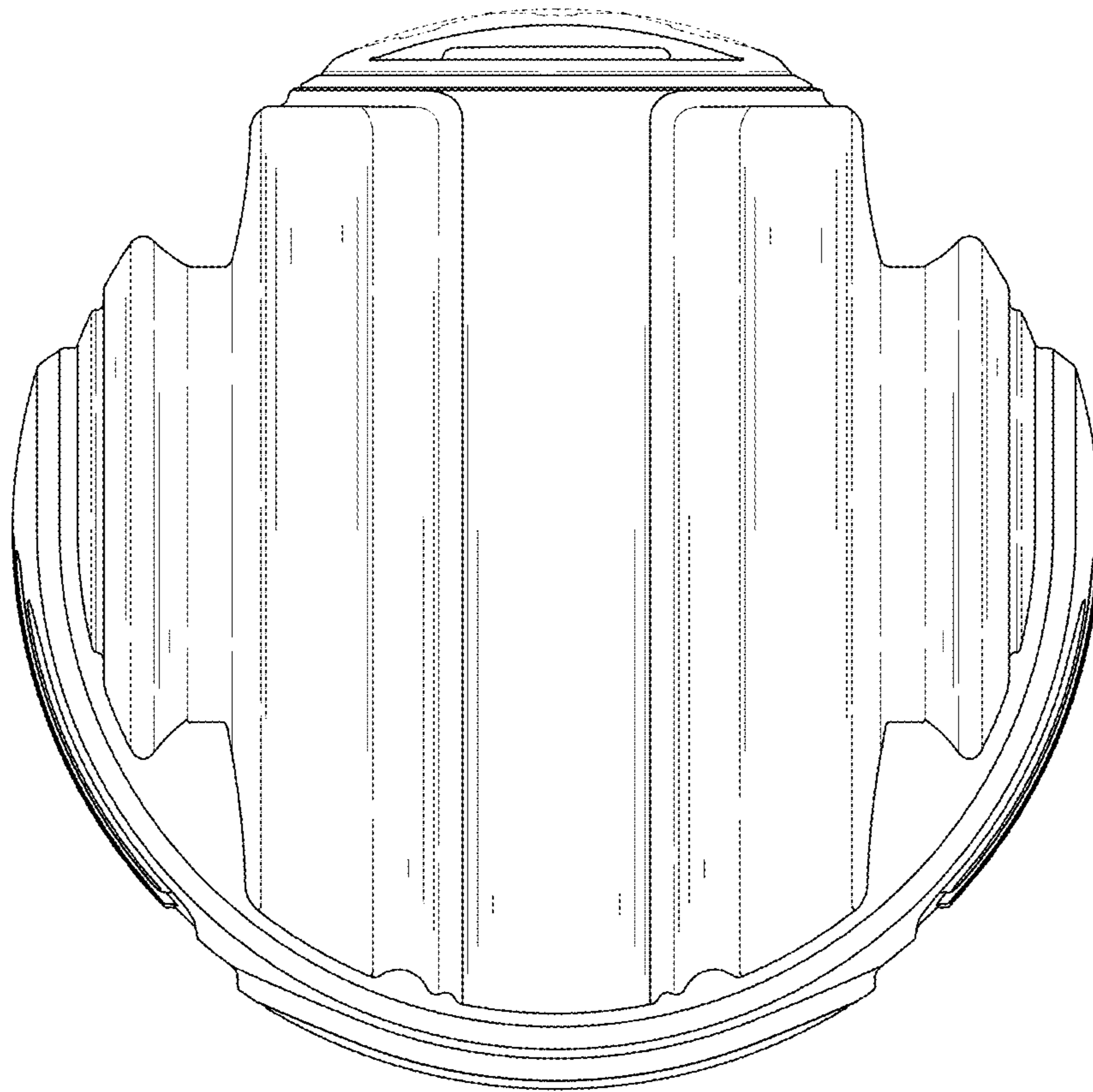


FIG. 7

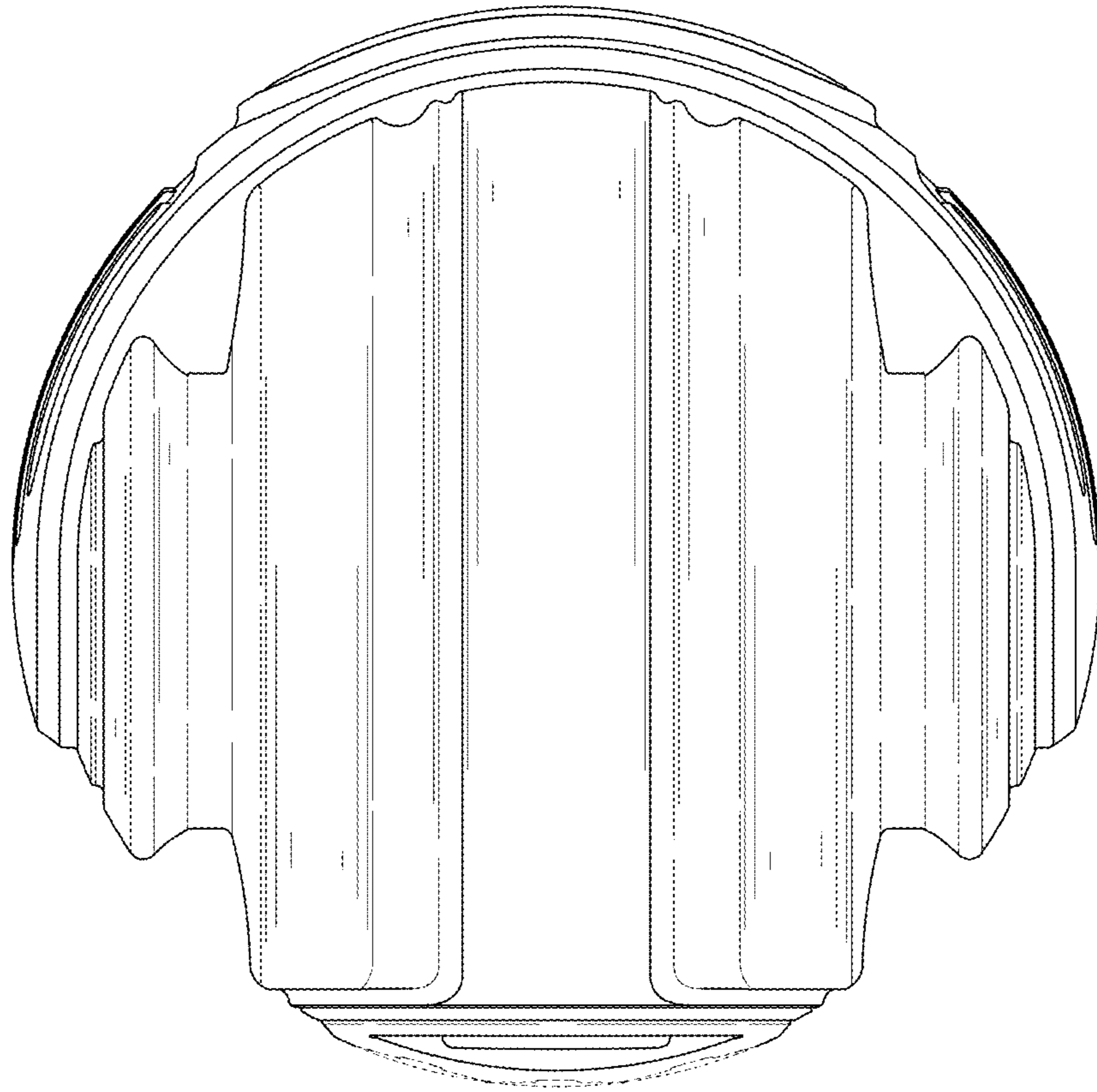


FIG. 8