



US00D906443S

(12) **United States Design Patent** (10) **Patent No.:** **US D906,443 S**
Christie, II (45) **Date of Patent:** **** Dec. 29, 2020**

(54) **ROLLING ROBOT**

(71) Applicant: **Cary Lee Christie, II**, Phoenix, AZ
(US)

(72) Inventor: **Cary Lee Christie, II**, Phoenix, AZ
(US)

(**) Term: **15 Years**

(21) Appl. No.: **29/668,392**

(22) Filed: **Oct. 30, 2018**

(51) **LOC (12) Cl.** **21-01**

(52) **U.S. Cl.**
USPC **D21/578**; D15/199

(58) **Field of Classification Search**
USPC D15/199; D21/578–583, 621, 622
CPC .. A63H 33/26; A63H 33/005; A63H 2200/00;
B62D 39/00; G05D 1/0891; G05D
2201/0214; Y10S 901/01
See application file for complete search history.

D824,460 S * 7/2018 Wang D21/578
D832,326 S * 10/2018 Lee D15/199
D832,327 S * 10/2018 Miao D15/199
D836,690 S * 12/2018 Kim D15/199
D855,094 S * 7/2019 Li D15/199
10,399,616 B2 * 9/2019 Ellerman A63H 33/26
D864,275 S * 10/2019 Huang D16/202
D866,553 S * 11/2019 Miura D14/388
D872,384 S * 1/2020 Crane D30/160
D881,886 S * 4/2020 Bidwell D14/420
2015/0224640 A1 * 8/2015 Vu B25J 19/023
700/259
2018/0024561 A1 * 1/2018 Soh G05D 1/0272
700/258
2018/0043838 A1 * 2/2018 Ellerman A63H 33/26
2018/0043952 A1 * 2/2018 Ellerman B62D 15/00
2018/0186242 A1 * 7/2018 Rhodes B25J 5/00
2019/0015758 A1 * 1/2019 Higuchi A63H 33/005
2019/0015993 A1 * 1/2019 Kunitake B25J 5/007

* cited by examiner

Primary Examiner — Patricia A Palasik

(57) **CLAIM**

I claim the ornamental design for a rolling robot, as shown and described.

DESCRIPTION

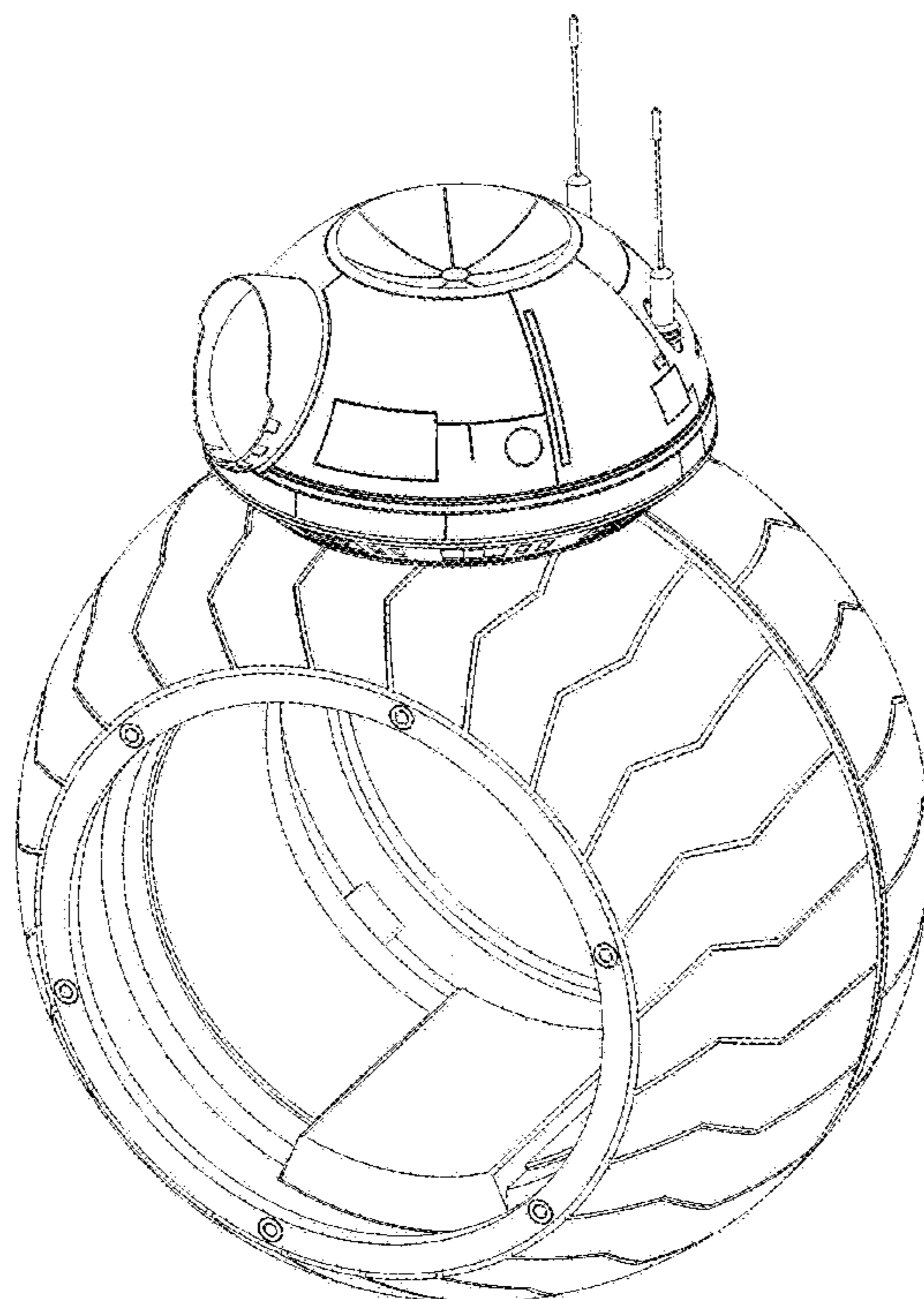
FIG. 1 is a left rear perspective view of a rolling robot in accordance with the present invention;
FIG. 2 is a right rear perspective view of a rolling robot;
FIG. 3 is a front view thereof;
FIG. 4 is a top view thereof;
FIG. 5 is a rear view thereof; and,
FIG. 6 is a side view thereof.

1 Claim, 6 Drawing Sheets

(56) **References Cited**

U.S. PATENT DOCUMENTS

D420,403 S * 2/2000 Bart D21/398
D465,733 S * 11/2002 Hill D9/519
D547,430 S * 7/2007 Low D21/713
D549,756 S * 8/2007 Park D15/199
D580,994 S * 11/2008 Johansson D21/713
D596,306 S * 7/2009 Levine D24/214
D731,180 S * 6/2015 Neuhaus D3/273
D734,821 S * 7/2015 Greaves D21/578
D777,847 S * 1/2017 Rost D21/680
D810,166 S * 2/2018 Lee D15/199



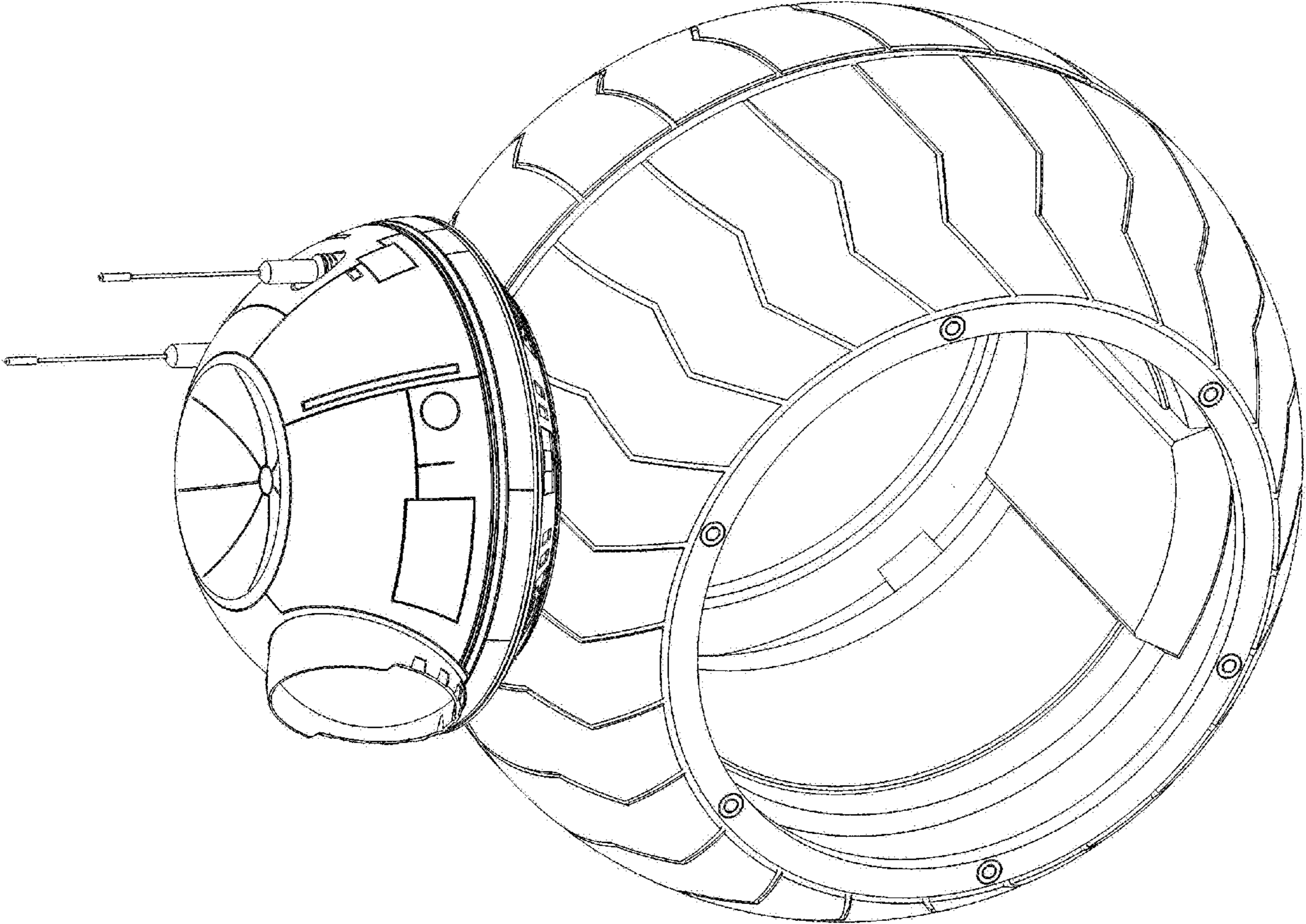


Fig. 1

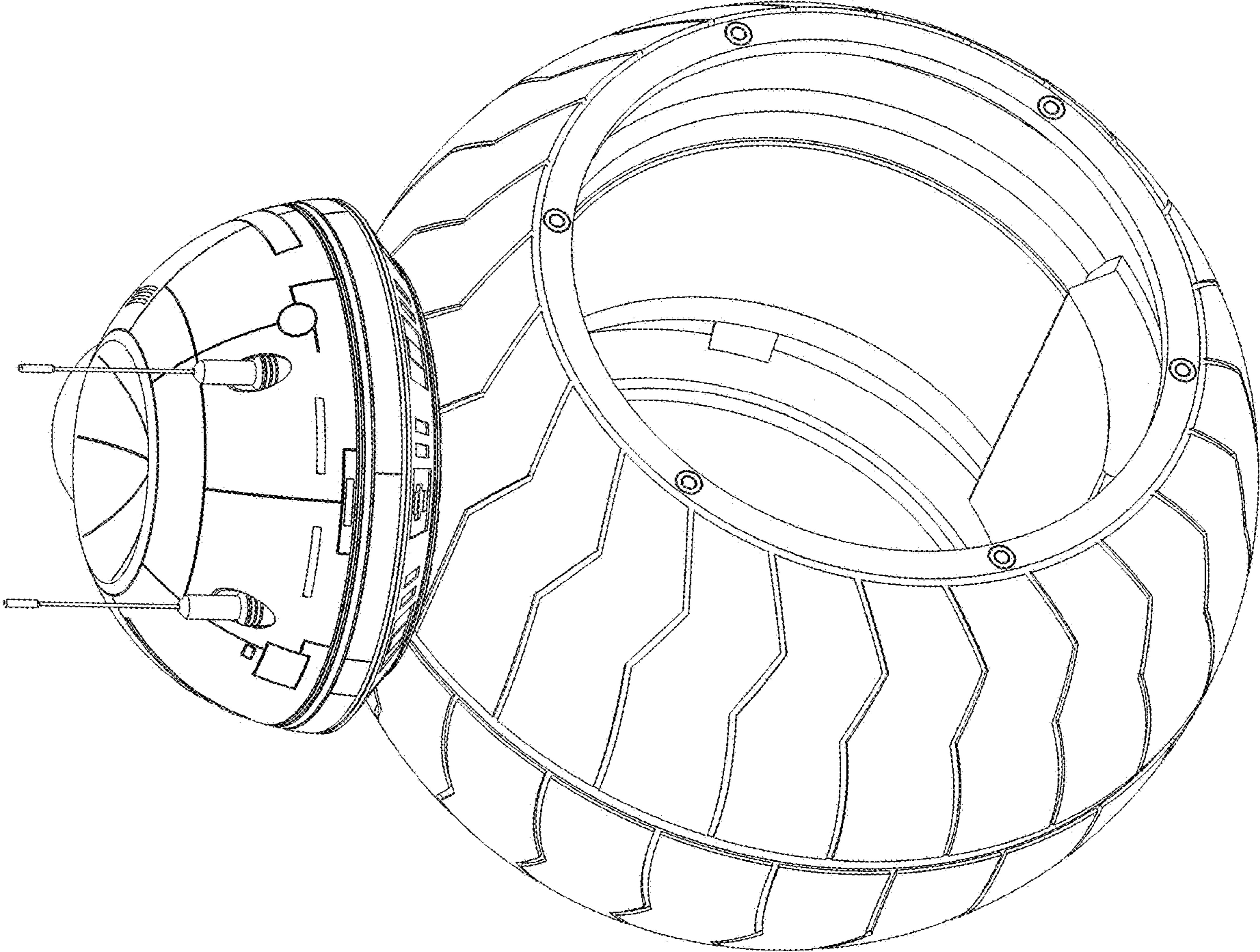


Fig. 2

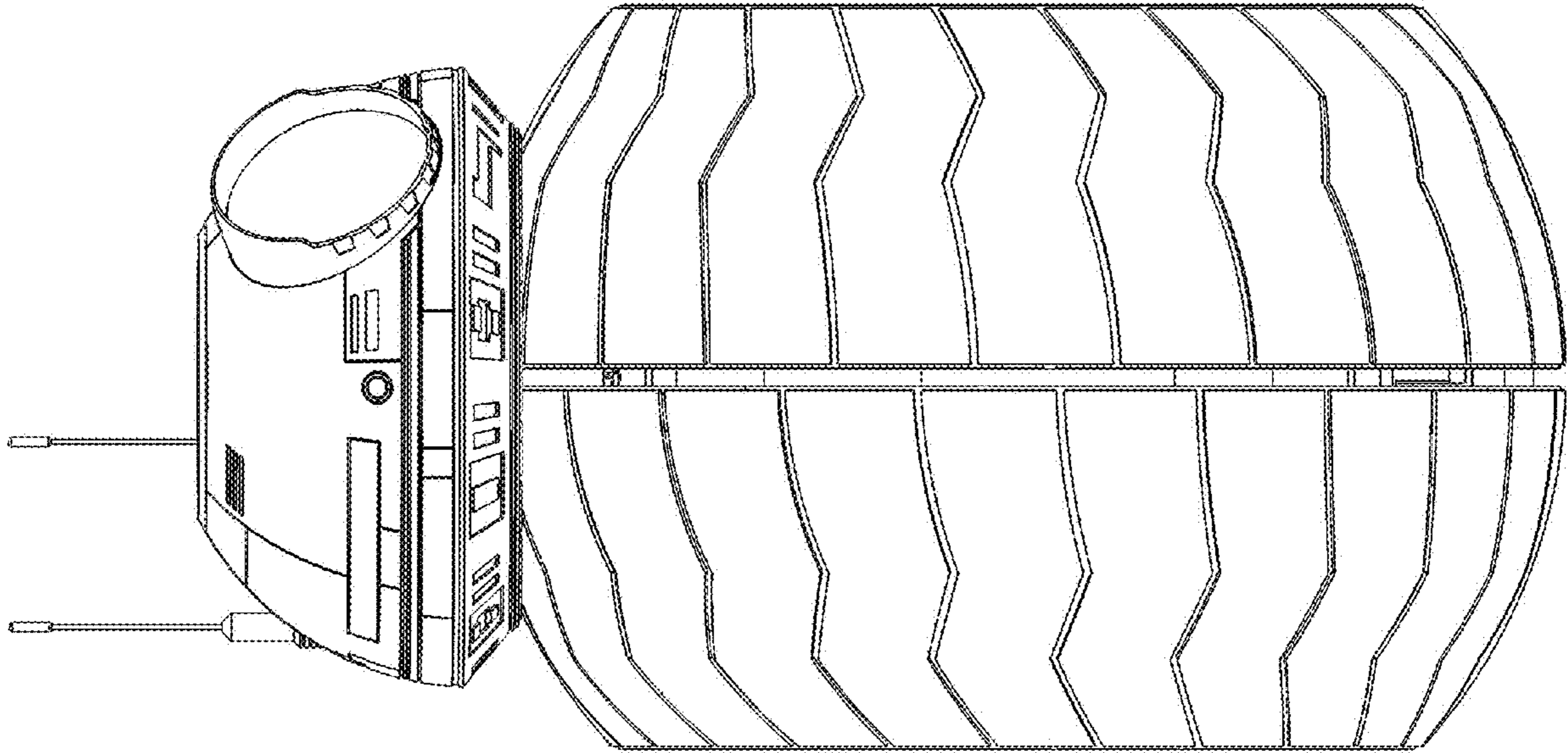


Fig. 3

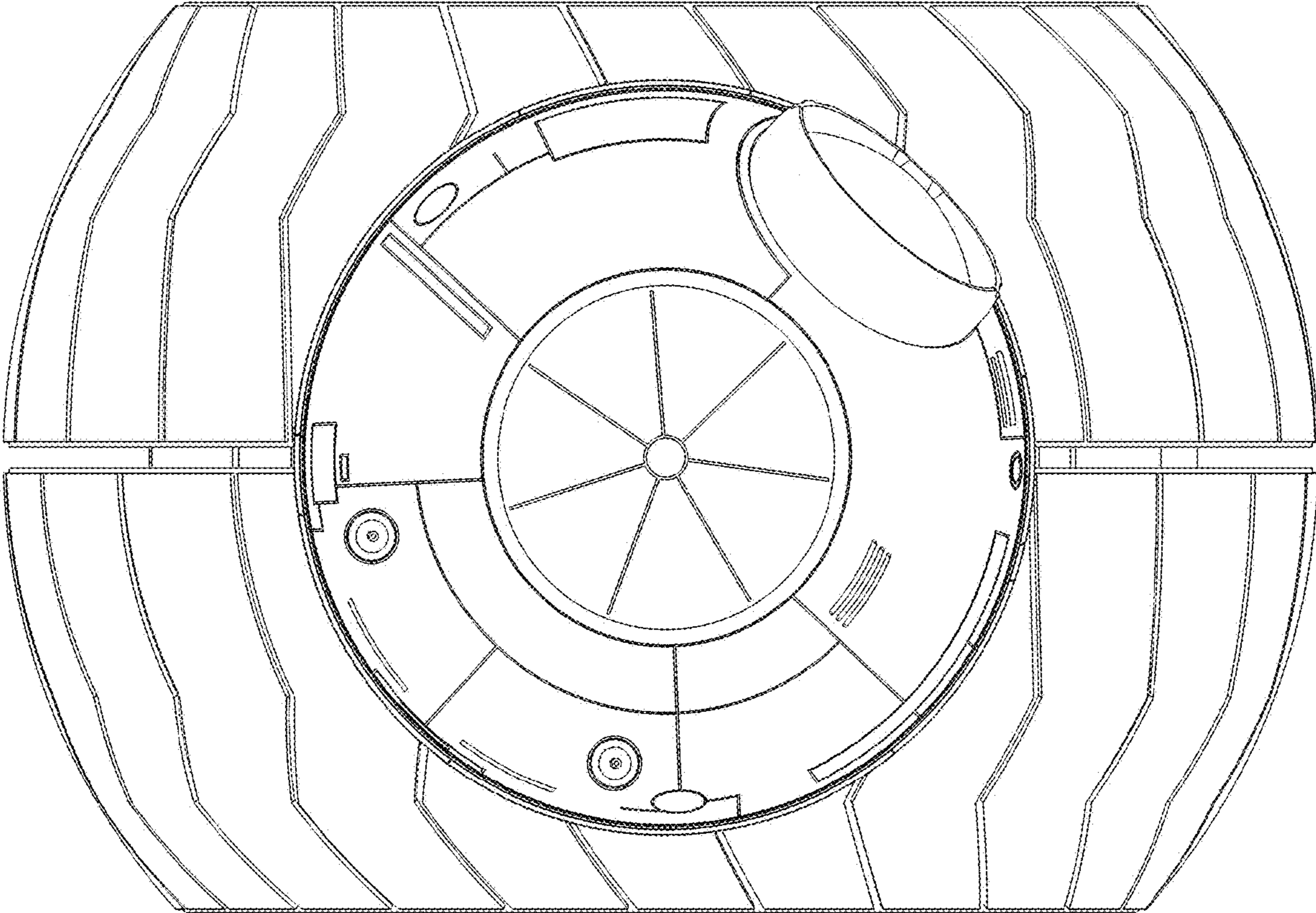


Fig. 4

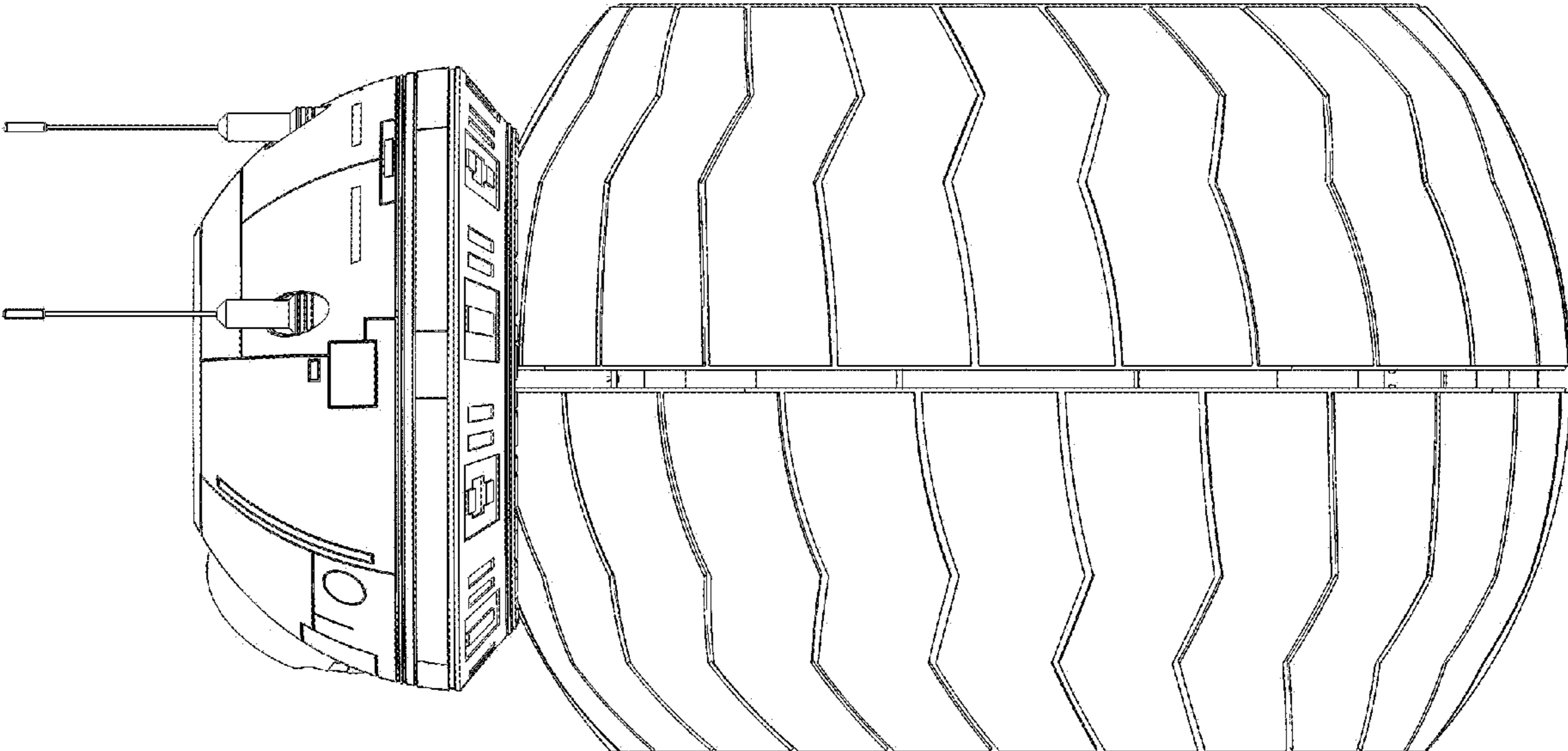


Fig. 5

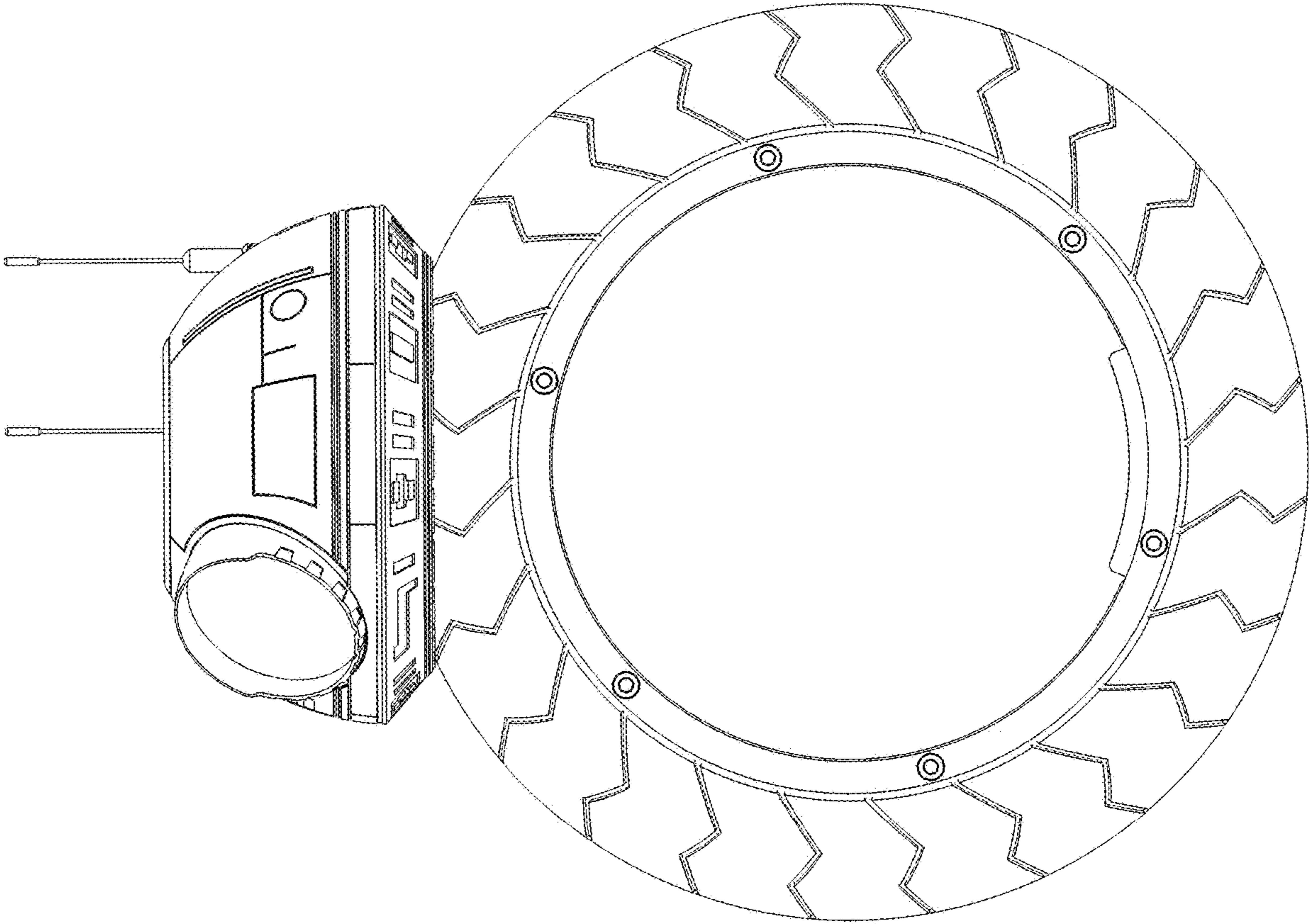


Fig. 6