



US00D906441S

(12) **United States Design Patent** (10) **Patent No.:** **US D906,441 S**
Balanchi (45) **Date of Patent:** **** *Dec. 29, 2020**

- (54) **TOY TRACK SEGMENT**
- (71) Applicant: **MINDSCOPE PRODUCTS, INC.**,
Glendale, CA (US)
- (72) Inventor: **George Balanchi**, Pasadena, CA (US)
- (73) Assignee: **Mindscope Products**, Glendale, CA
(US)
- (*) Notice: This patent is subject to a terminal disclaimer.
- (**) Term: **15 Years**
- (21) Appl. No.: **29/651,193**
- (22) Filed: **Feb. 7, 2018**
- (51) **LOC (12) Cl.** **21-01**
- (52) **U.S. Cl.**
USPC **D21/565**
- (58) **Field of Classification Search**
USPC D21/340, 456, 565, 818-819
CPC A63H 29/08; A63H 18/00; A63H 33/009;
A63F 7/36; A63F 7/28; A63F 7/24; A63F
7/34; A63F 9/24
See application file for complete search history.

D844,072 S *	3/2019	Johnson	D21/565
D855,120 S *	7/2019	Millar	D21/565
D856,436 S *	8/2019	Johnson	D21/565
D858,654 S *	9/2019	Millar	D21/565
D863,458 S *	10/2019	Balanchi	D21/565
D878,485 S *	3/2020	Balanchi	D21/565
D878,486 S *	3/2020	Balanchi	D21/565

OTHER PUBLICATIONS

<https://www.amazon.com/Dinosaur-Jurassic-Flexible-Dinosaurs-Track-144/dp/> (Year: 2018).*

* cited by examiner

Primary Examiner — Manpreet S Matharu
Assistant Examiner — Keith J Wilson
(74) *Attorney, Agent, or Firm* — Jonathan E. Grant; Grant Patent Services

(57) **CLAIM**

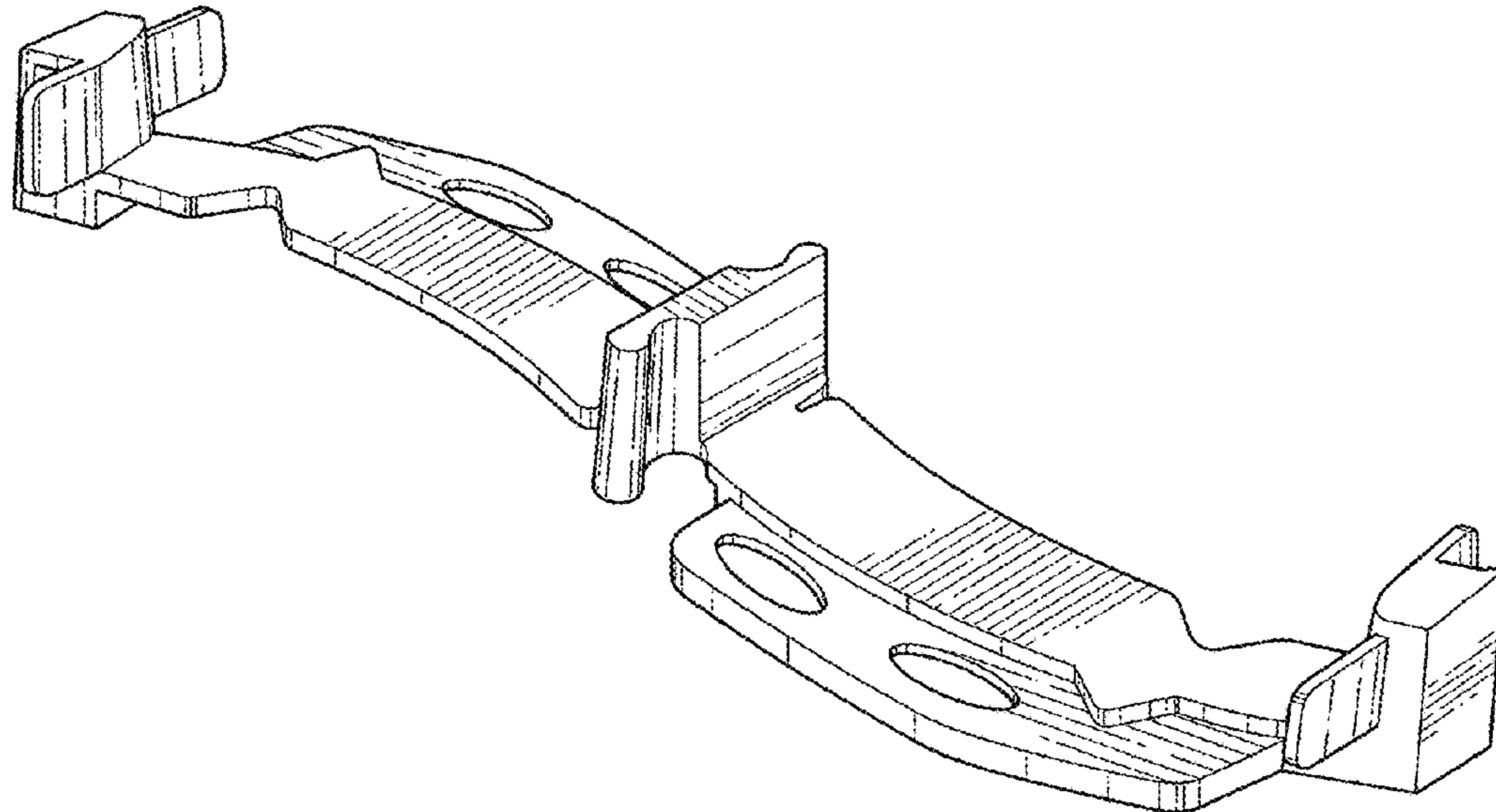
I claim the ornamental design for a toy track segment, as shown and described.

DESCRIPTION

FIG. 1—is a perspective view of the toy track segment; FIG. 2—is an overhead view thereof; FIG. 3—is a bottom view thereof; FIG. 4—is a front view thereof; FIG. 5—is a back view thereof; FIG. 6—is a first side view thereof; FIG. 7 is a second side view thereof; and, FIG. 8 is a perspective view showing the toy track segment with environment. The dash dot broken line shown represent where the claimed design attaches to other tracks on and forms no part of the claimed design. The dash lines represents environment only and forms no part of the claimed design.

1 Claim, 6 Drawing Sheets

- (56) **References Cited**
U.S. PATENT DOCUMENTS
- | | | | | |
|--------------|---------|---------------|-------|---------|
| D296,806 S * | 7/1988 | Bach | | D21/565 |
| D297,851 S * | 9/1988 | Schroll | | D21/565 |
| D481,424 S * | 10/2003 | Rothkopf | | D21/565 |
| D630,270 S * | 1/2011 | Clausen | | D21/493 |
| D630,272 S * | 1/2011 | Clausen | | D21/493 |
| D644,699 S * | 9/2011 | Mimlitch, III | | D21/565 |
| D651,661 S * | 1/2012 | Yuen | | D21/565 |
| D692,070 S * | 10/2013 | Mimlitch, III | | D21/565 |
| D717,887 S * | 11/2014 | Edwards | | D21/565 |
| D726,835 S * | 4/2015 | Edwards | | D21/565 |
| D734,403 S * | 7/2015 | Womack | | D21/565 |
| D773,922 S * | 12/2016 | Fiebig | | D21/565 |



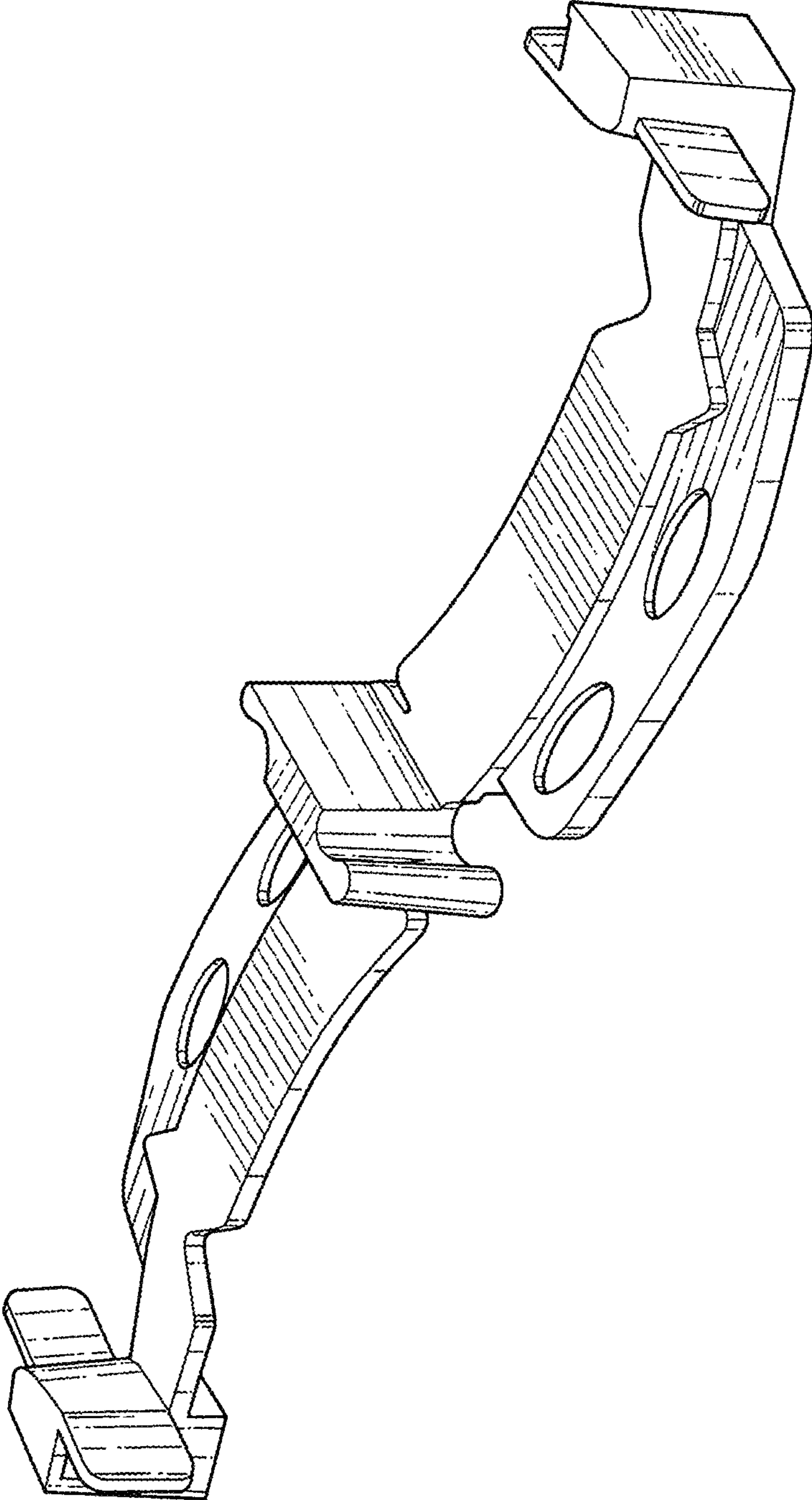


FIG. 1

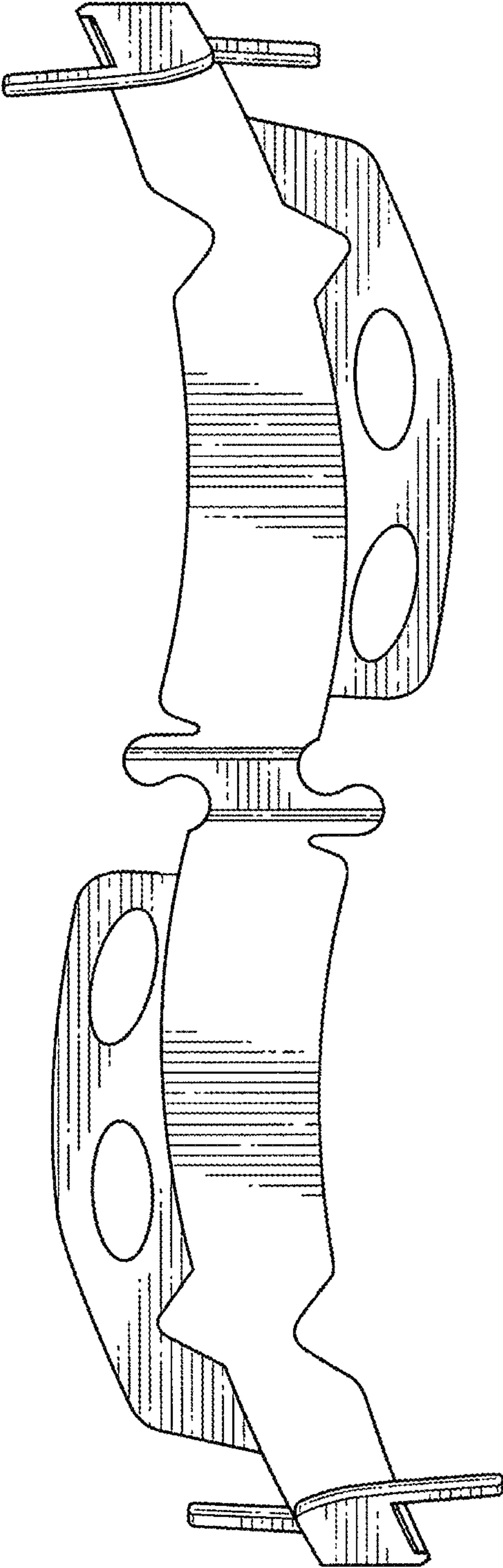


FIG. 2

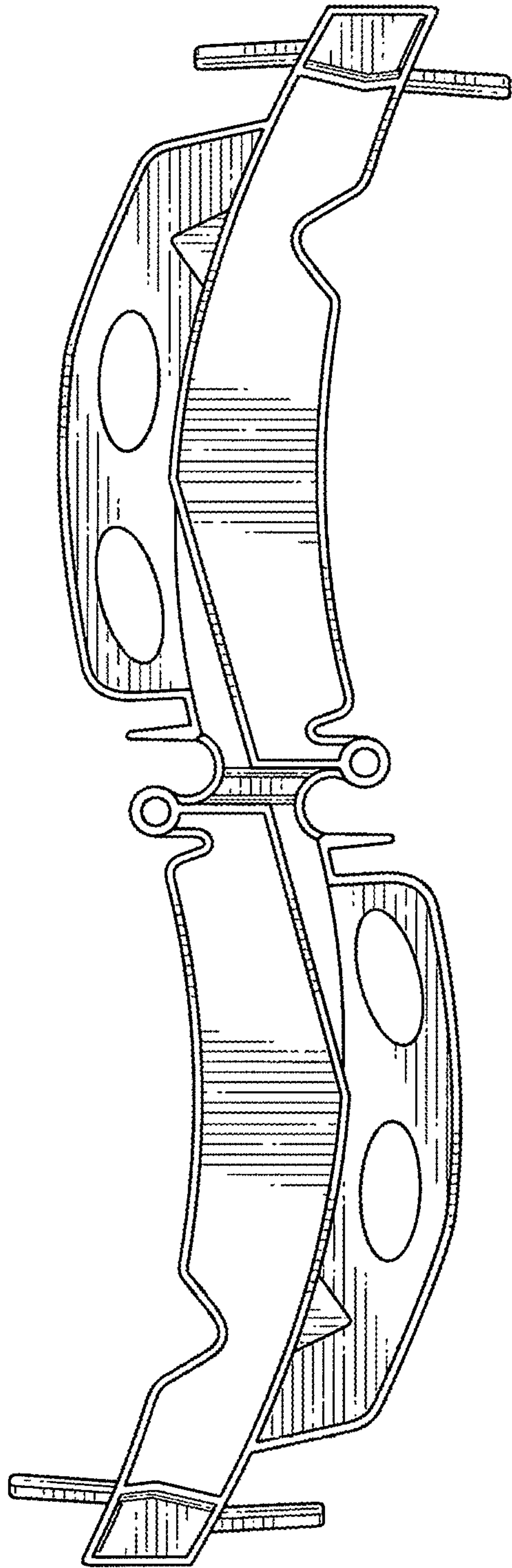


FIG. 3

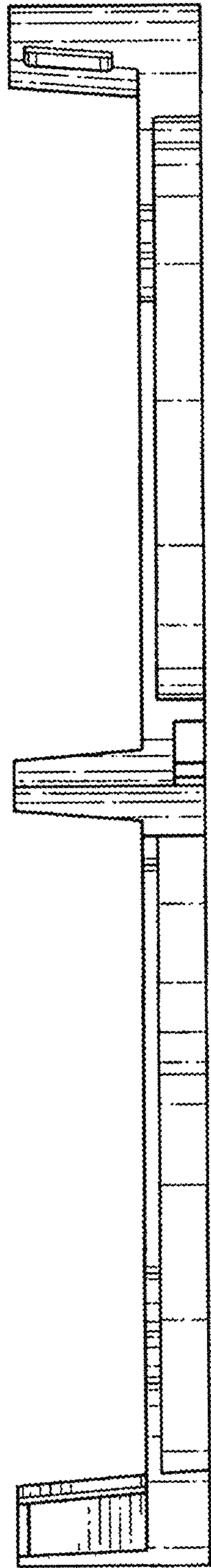


FIG. 4

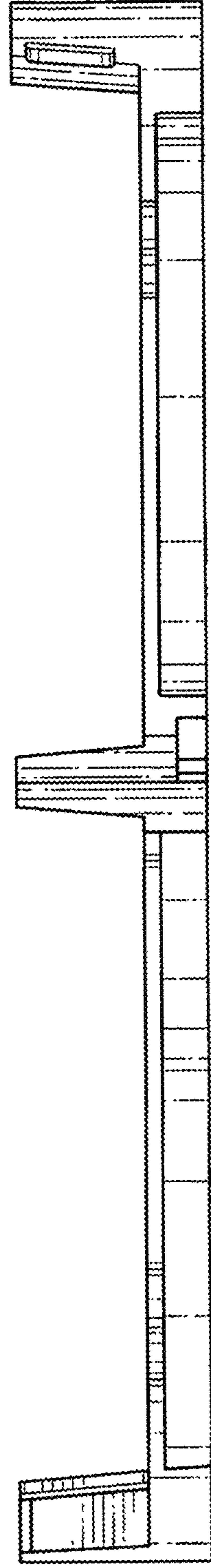


FIG. 5

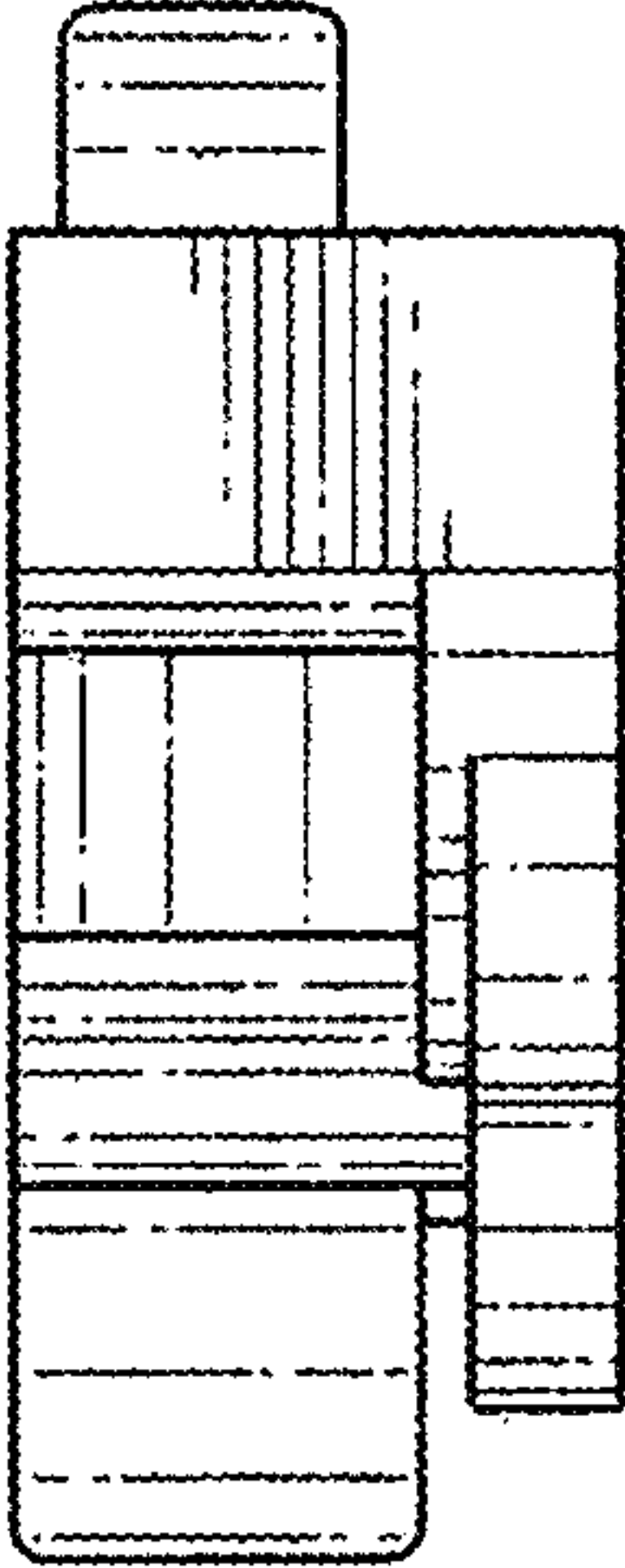


FIG. 6

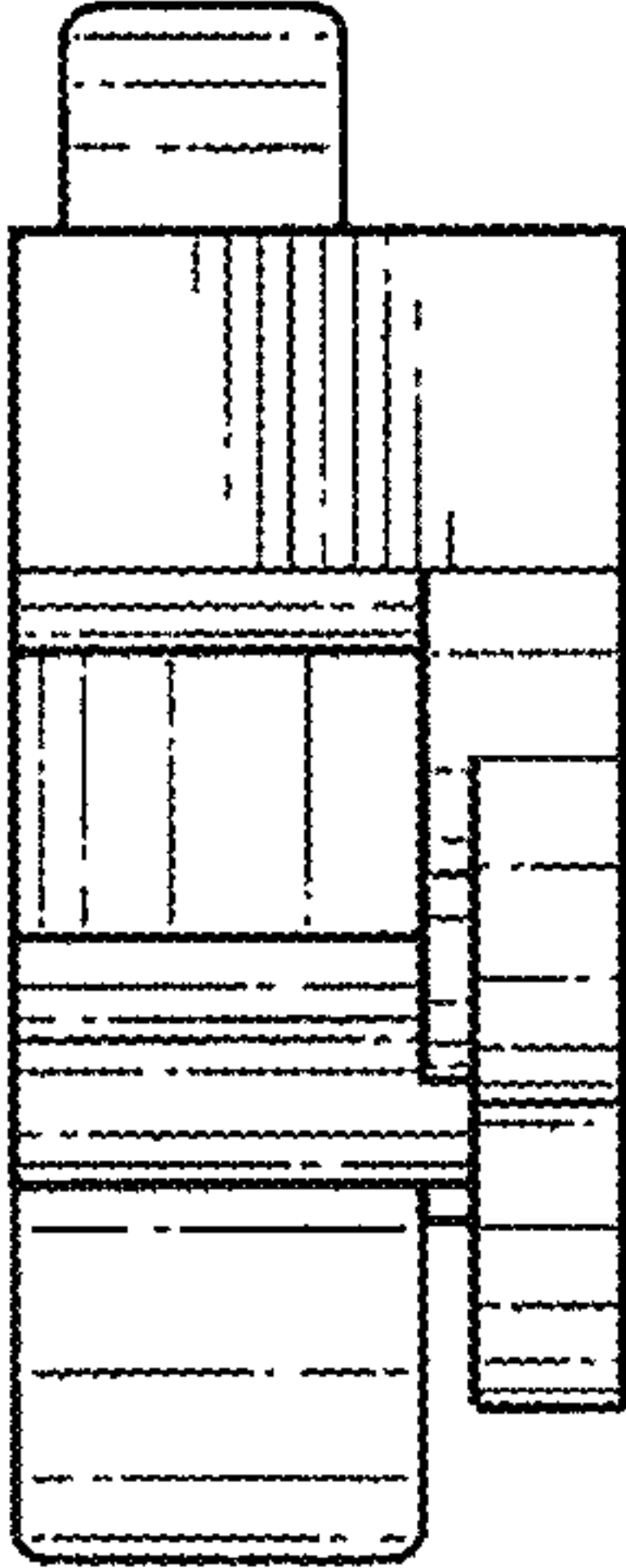


FIG. 7

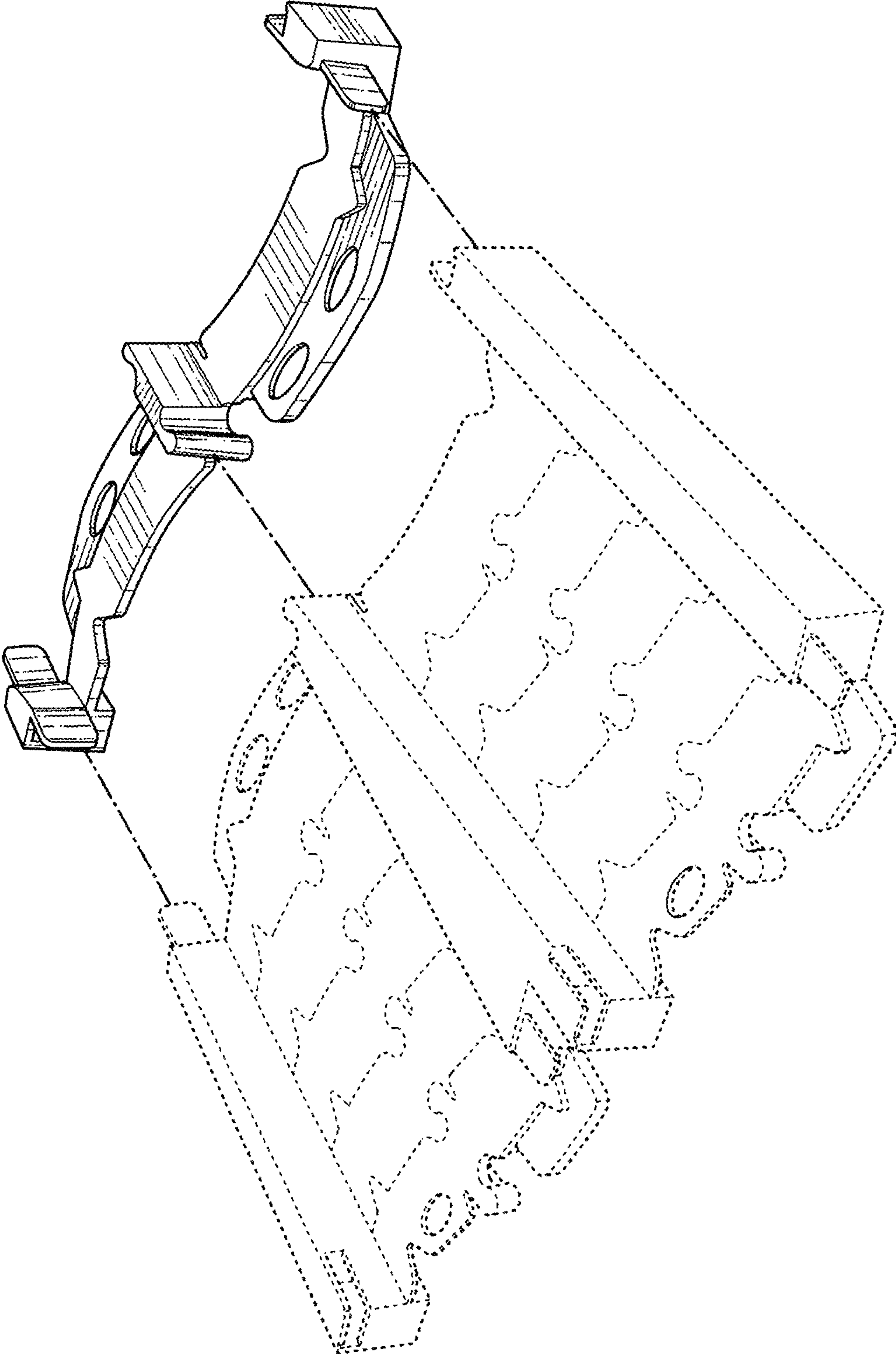


FIG. 8