



US00D906436S

(12) **United States Design Patent** (10) **Patent No.:** **US D906,436 S**  
**Nader Reyes Retana** (45) **Date of Patent:** **\*\* Dec. 29, 2020**

(54) **GAME PIECES**

FOREIGN PATENT DOCUMENTS

(71) Applicant: **Trimino World Technology, Inc.**, San Antonio, TX (US)

MX MS/f/2018/002195 12/2018

(72) Inventor: **Agustín Nader Reyes Retana**, Mexico City (MX)

OTHER PUBLICATIONS

(73) Assignee: **Trimino World Technology, Inc.**, San Antonio, TX (US)

Aanjaneya, Mridul, "Tromino Tilings of Domino-Deficient Rectangular," *Discrete Mathematics*, vol. 309, Mar. 5, 2008, pp. 937-944.

(\*\*) Term: **15 Years**

DelphiForFun.org, "Tromino Tiling Puzzle," May 2018, <http://delphiforfun.org/programs/trominoes.htm>, pp. 1-3.

(21) Appl. No.: **29/716,514**

Swaraj, "Domino and Tromino Tiling—Dynamic Programming," Feb. 25, 2018, <https://swarajk7.github.io/2018-02-25/tilecombinationcountingleetcode>, pp. 1-5.

(22) Filed: **Dec. 10, 2019**

Wikipedia, "Tromino," <https://en.wikipedia.org/wiki/Tromino>, printed on Dec. 10, 2019, pp. 1-2.

(51) **LOC (12) Cl.** ..... **21-03**

\* cited by examiner

(52) **U.S. Cl.**  
USPC ..... **D21/386**

*Primary Examiner* — George D. Kirschbaum

(58) **Field of Classification Search**  
USPC ..... D21/391, 386, 500, 480  
CPC ..... A63F 3/00; A63F 3/00574; A63F 9/10;  
A63H 33/04  
See application file for complete search history.

(74) *Attorney, Agent, or Firm* — Cahn & Samuels, LLP

(57) **CLAIM**

The ornamental design for game pieces, as shown and described.

**DESCRIPTION**

(56) **References Cited**

U.S. PATENT DOCUMENTS

1,894,605	A *	1/1933	Wright	.....	A63H 33/04 446/122
3,674,274	A *	7/1972	Schur	.....	A63F 3/00 273/273
3,804,415	A *	4/1974	Ryan	.....	A63F 3/00574 273/275
3,822,569	A *	7/1974	Lautrup-Larsen	.....	A63H 33/04 446/85
4,568,082	A	2/1986	Musolino		
D350,785	S *	9/1994	Kushner	.....	D21/500
5,403,005	A *	4/1995	Avila-Valdez	.....	A63F 9/10 273/157 R
D655,352	S *	3/2012	Peeters	.....	D21/386
D727,438	S *	4/2015	Stegmann	.....	D21/480
D760,847	S *	7/2016	Clahsen	.....	D21/386
D789,456	S *	6/2017	Frost	.....	D21/391

FIG. 1 is a perspective view of a game piece according to an embodiment of the present invention.

FIG. 2 is a top view of the game piece of FIG. 1.

FIG. 3 is a bottom view of the game piece of FIG. 1.

FIG. 4 is a right side view of the game piece of FIG. 1.

FIG. 5 is a left side view of the game piece of FIG. 1.

FIG. 6 is a front view of the game piece of FIG. 1.

FIG. 7 is a rear view of the game piece of FIG. 1.

FIG. 8 is a perspective view of a game piece according to an embodiment of the present invention where the shading indicates color contrast.

FIG. 9 is a top view of the game piece of FIG. 8.

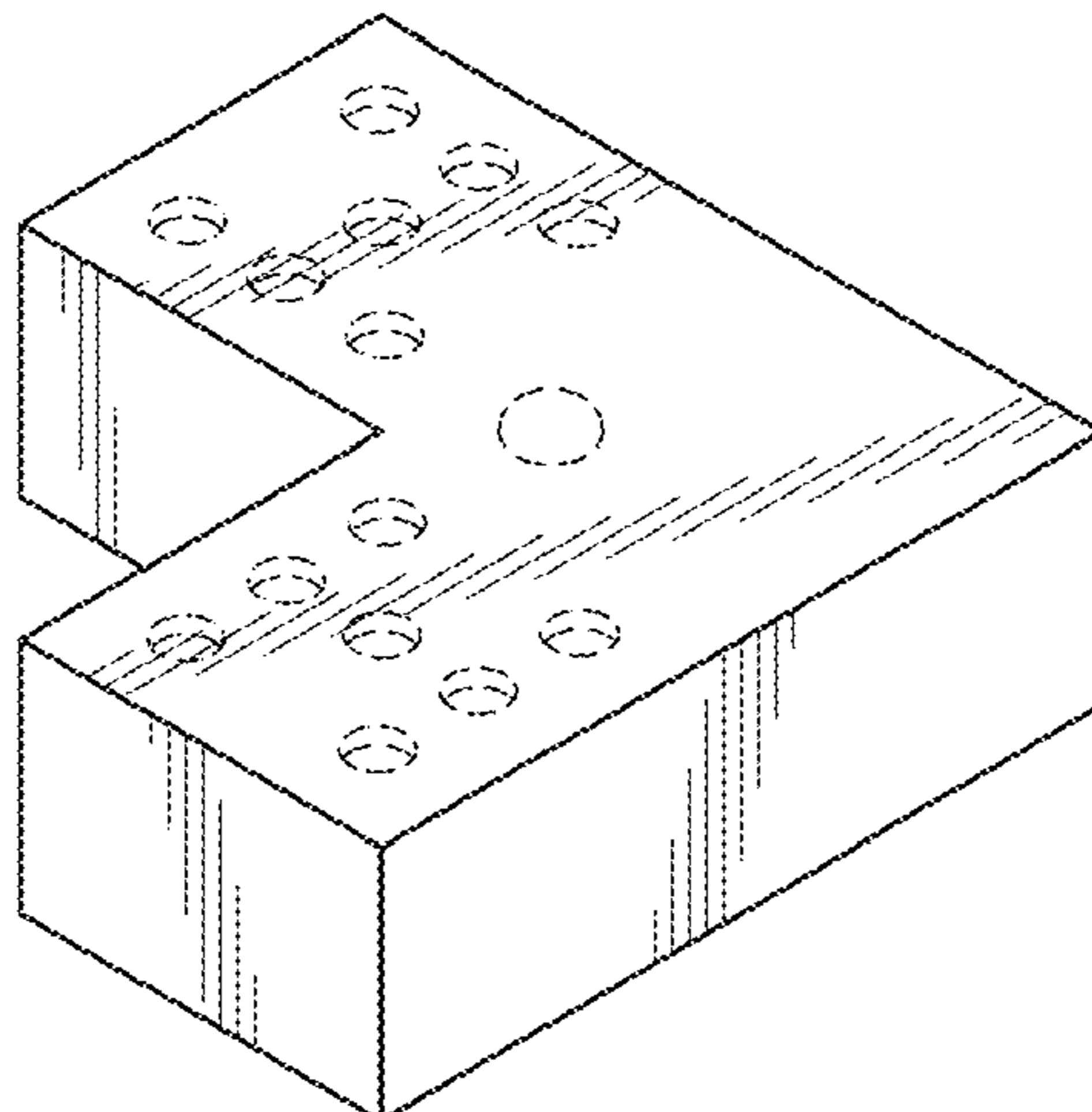
FIG. 10 is a bottom view of the game piece of FIG. 8.

FIG. 11 is a right side view of the game piece of FIG. 8.

FIG. 12 is a left side view of the game piece of FIG. 8.

FIG. 13 is a front view of the game piece of FIG. 8.

FIG. 14 is a rear view of the game piece of FIG. 8.







The broken line showing of dots and rivets is included for the purpose of illustrating portions of the "article" and forms no part of the claimed design.

**1 Claim, 26 Drawing Sheets**

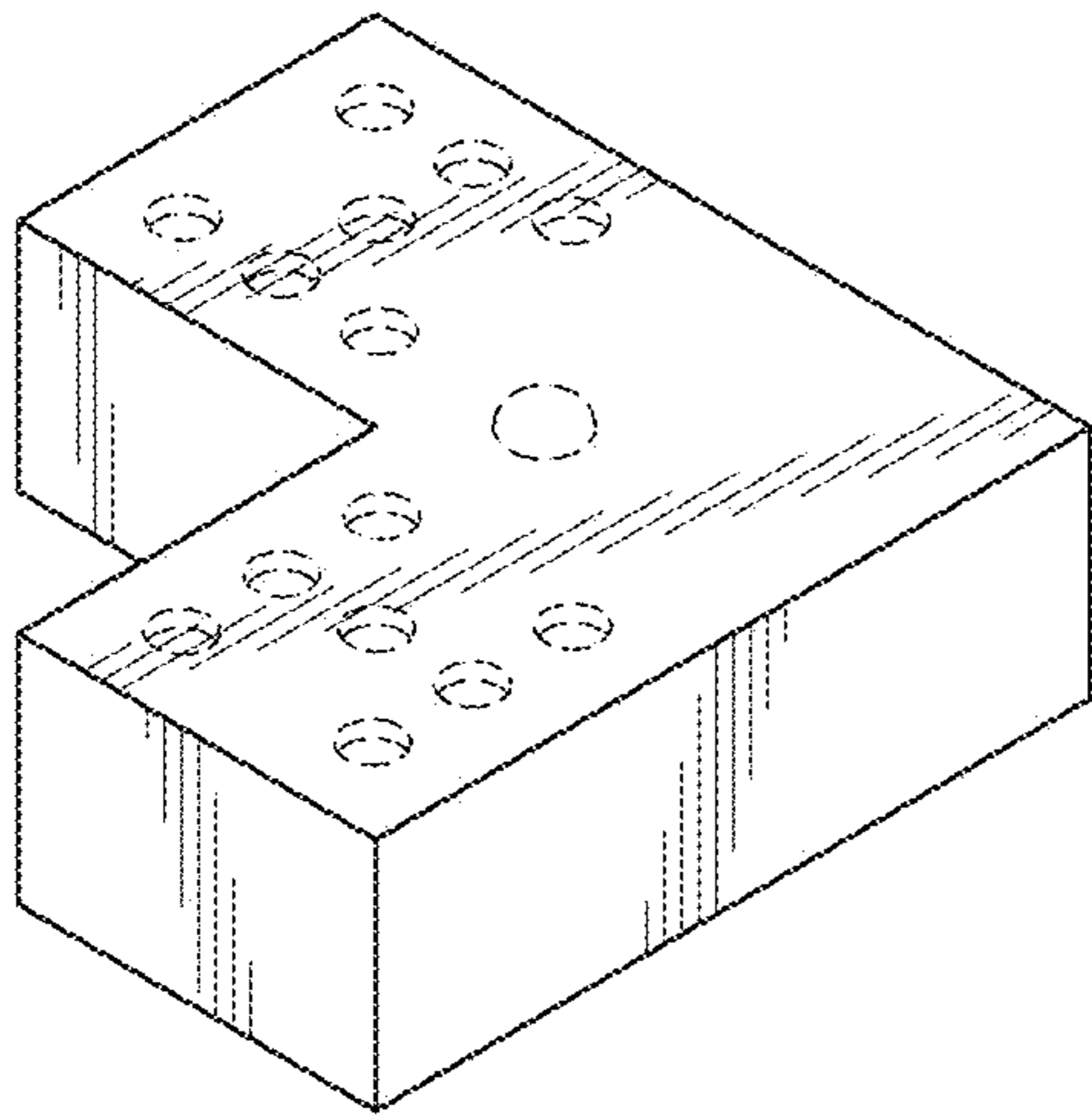


FIG. 1

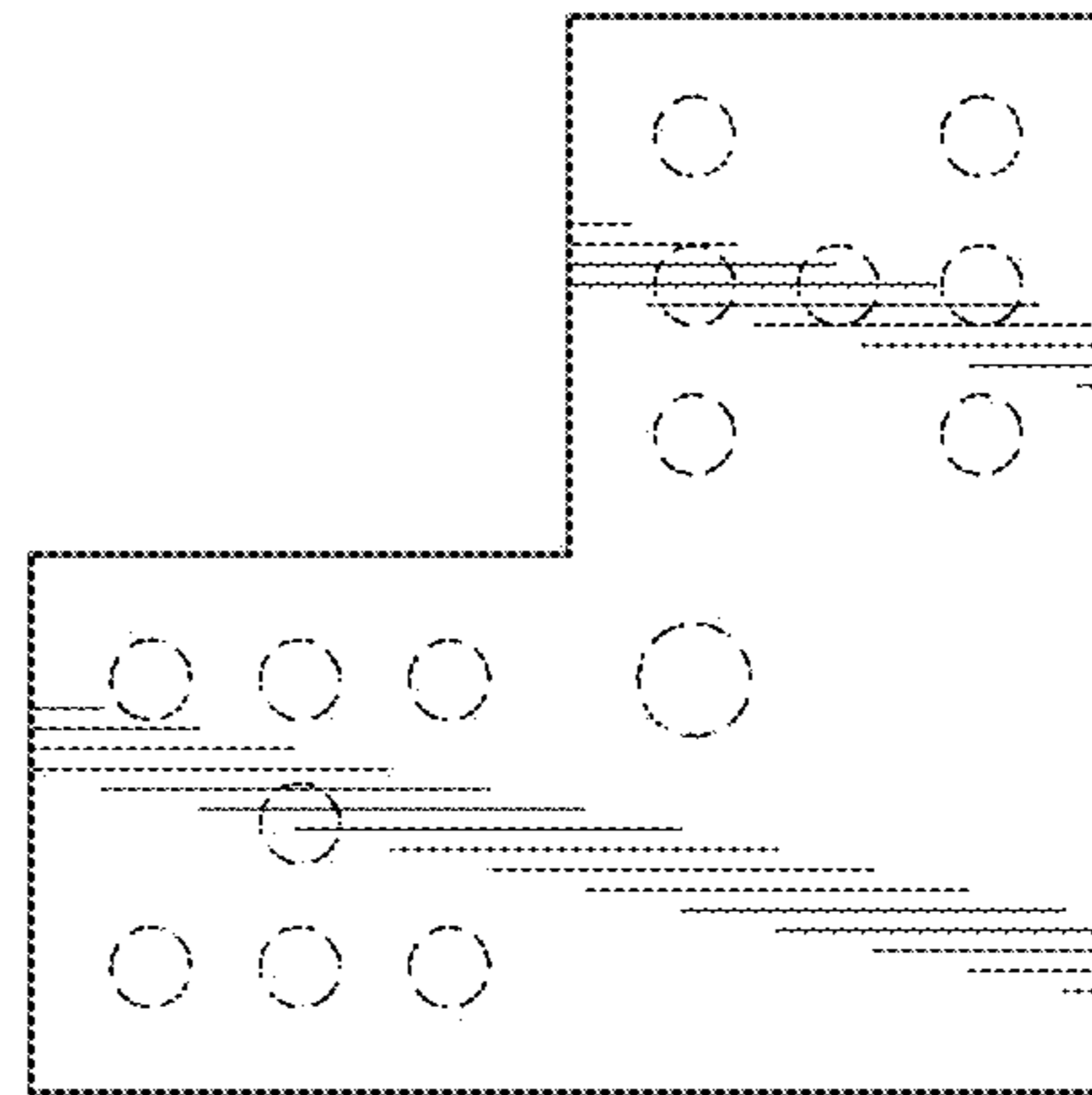


FIG. 2

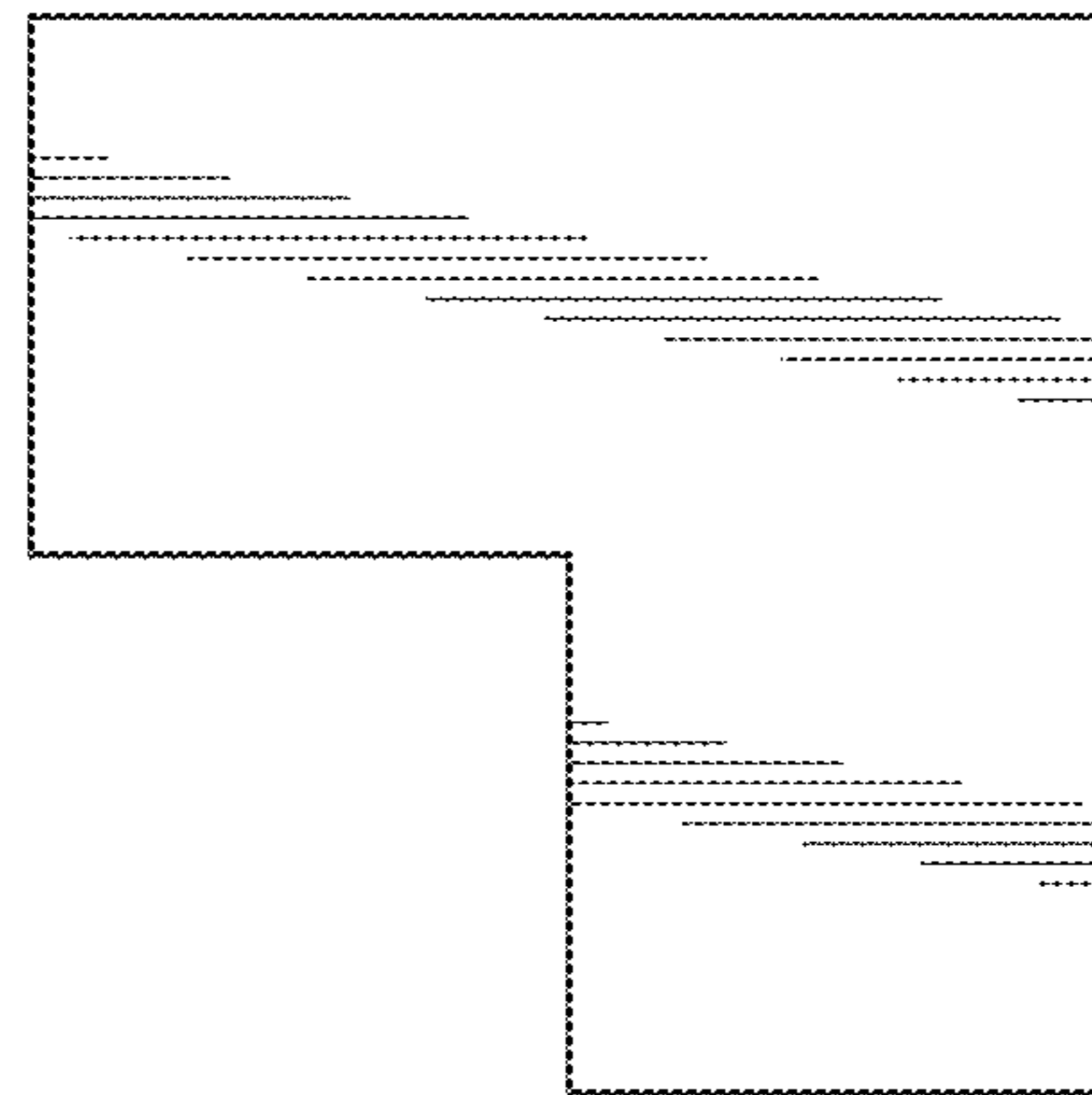


FIG. 3

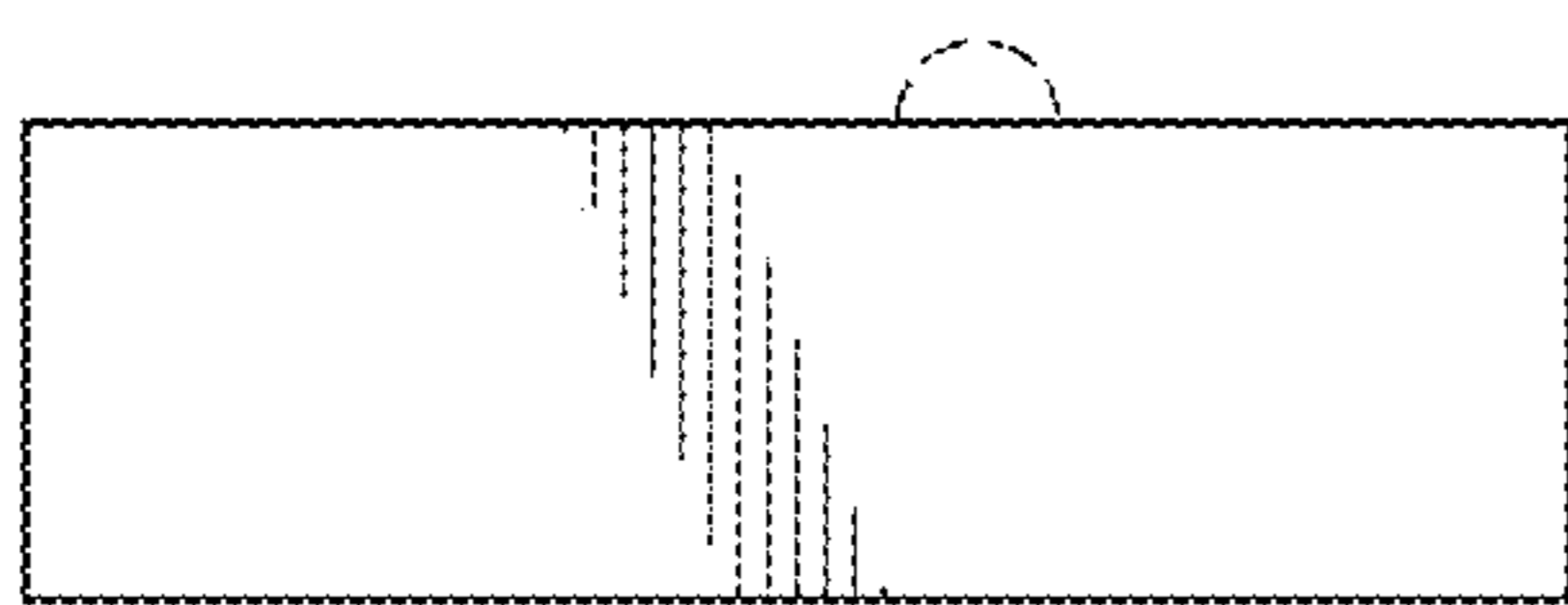


FIG. 4

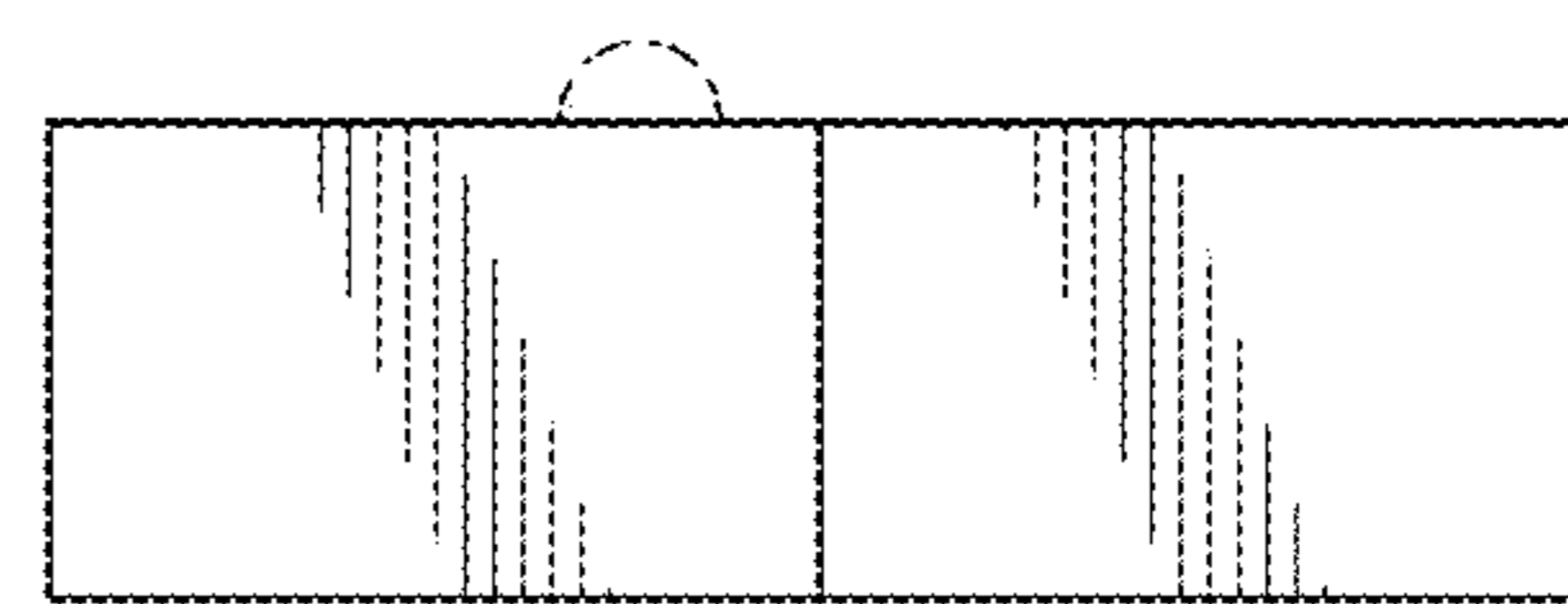


FIG. 5

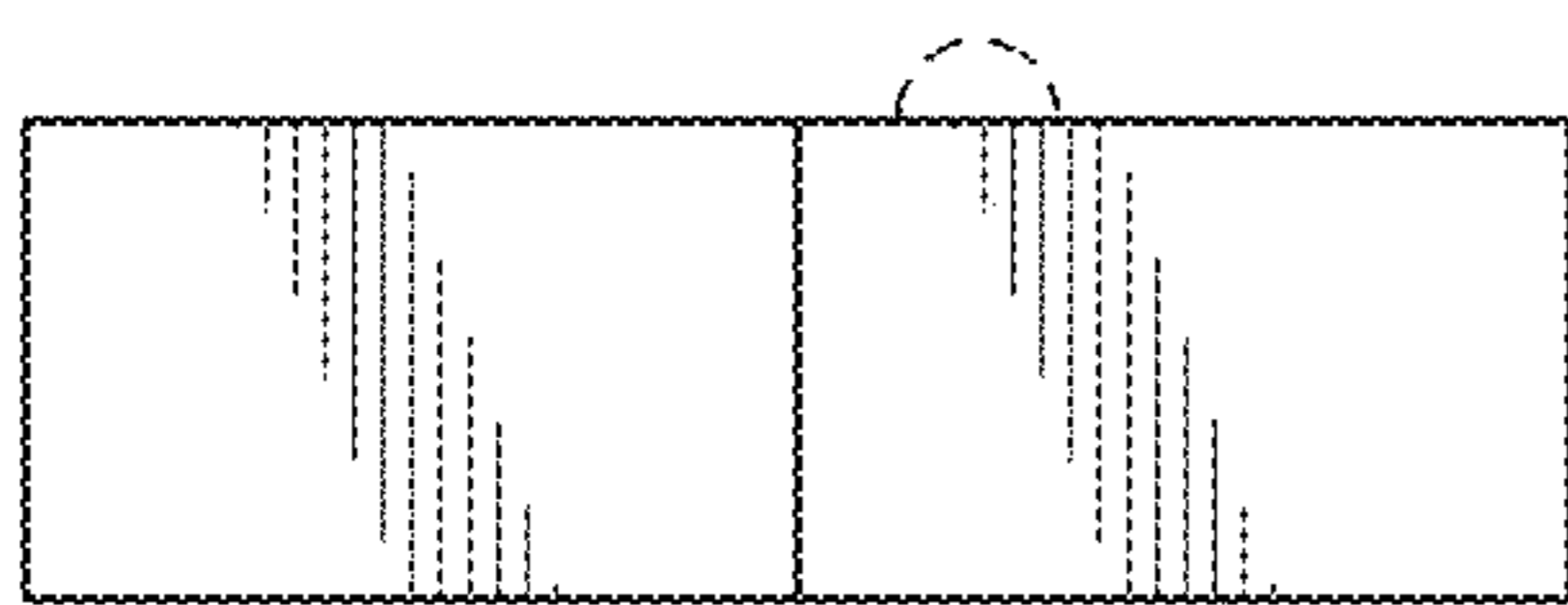


FIG. 6

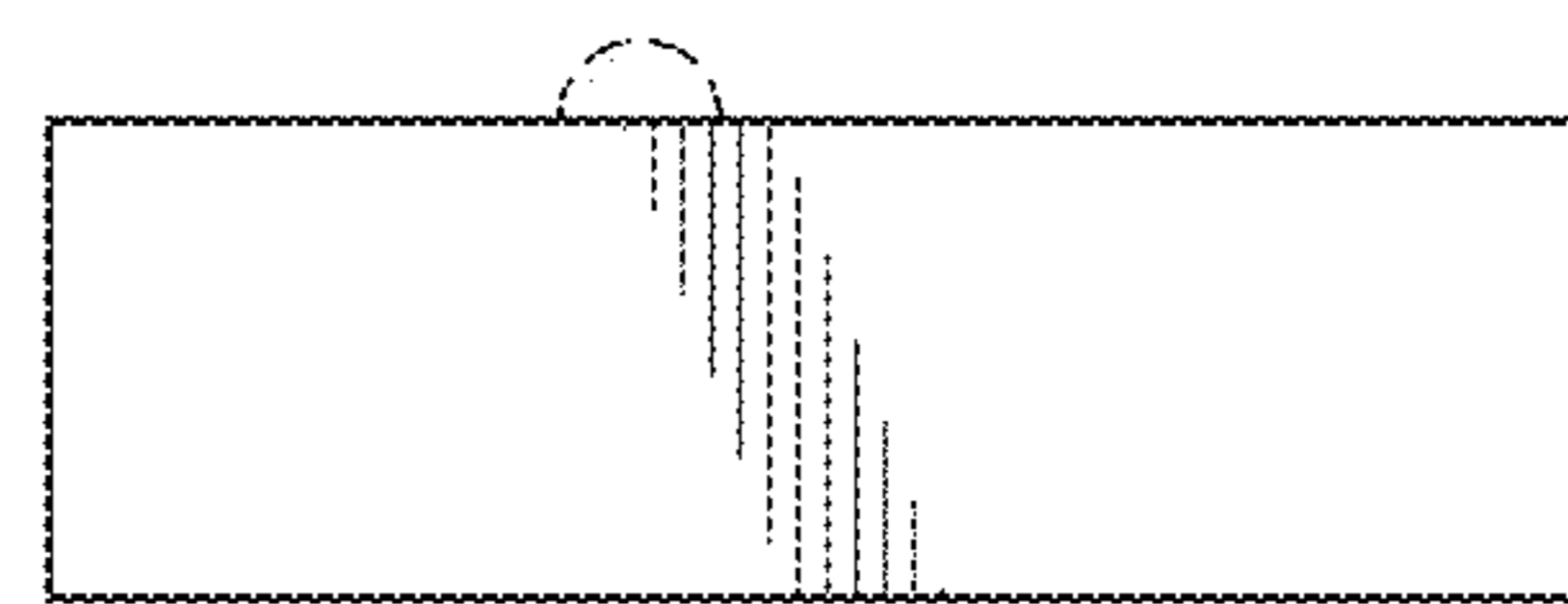


FIG. 7

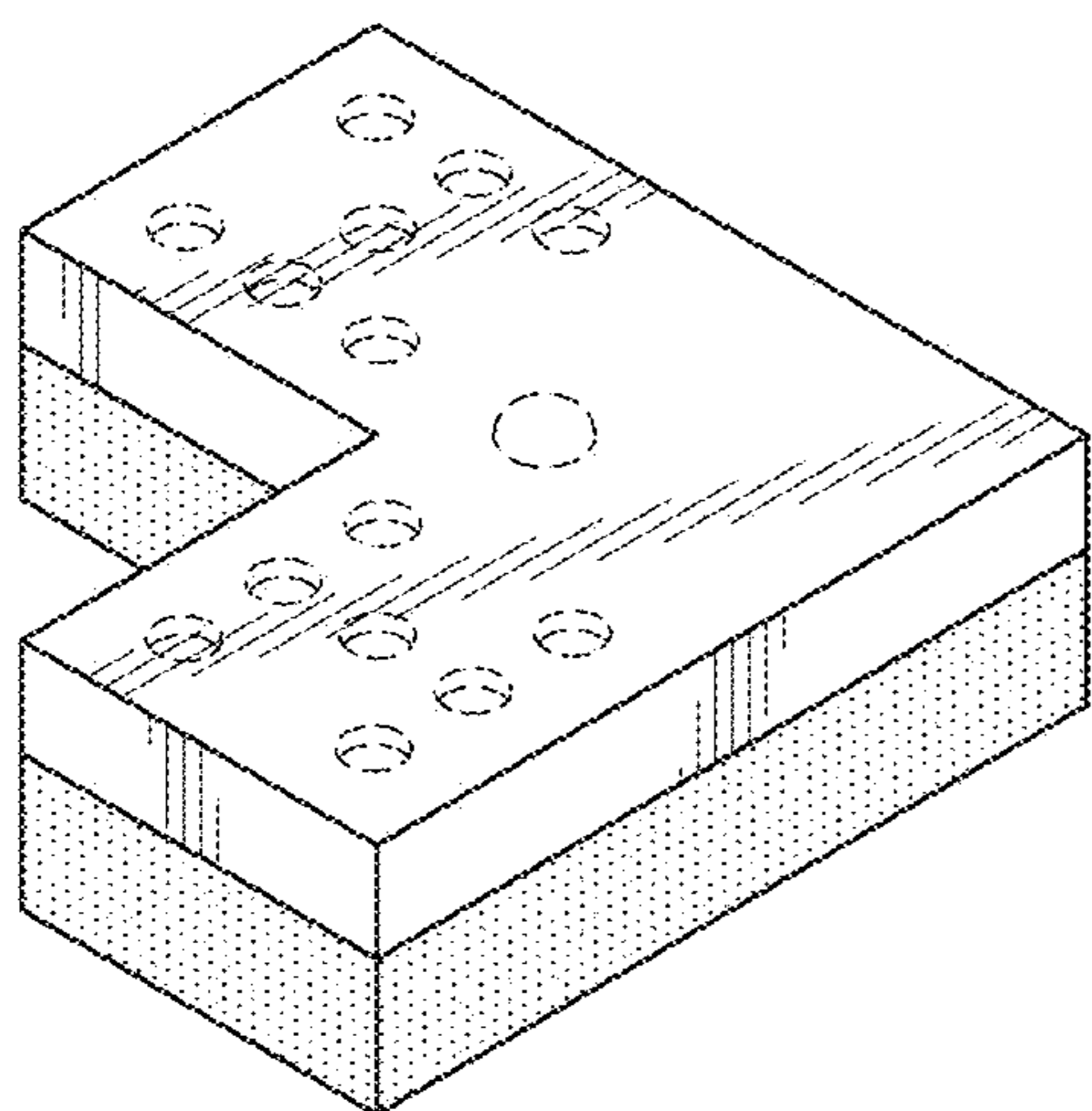


FIG. 8

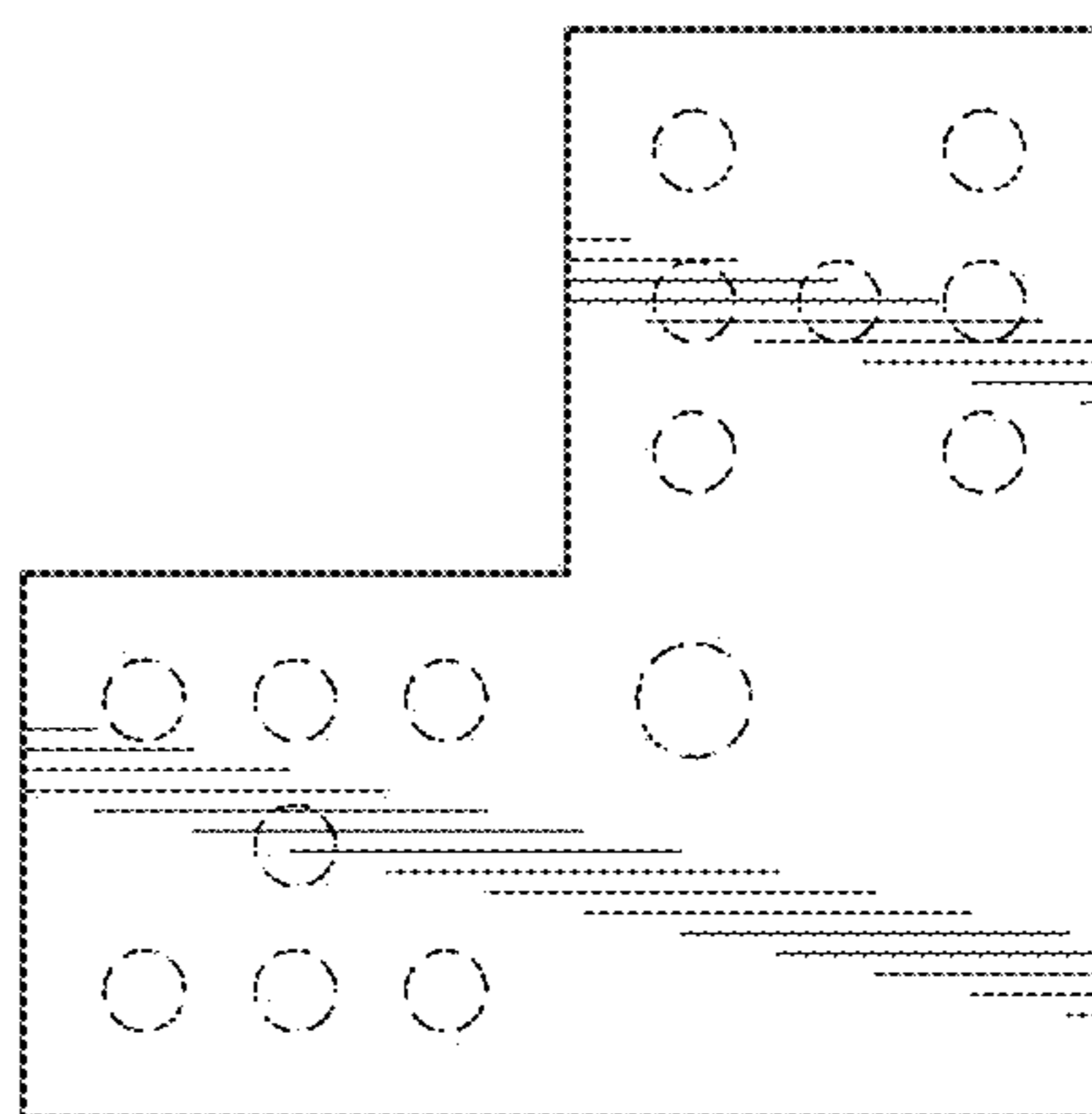


FIG. 9

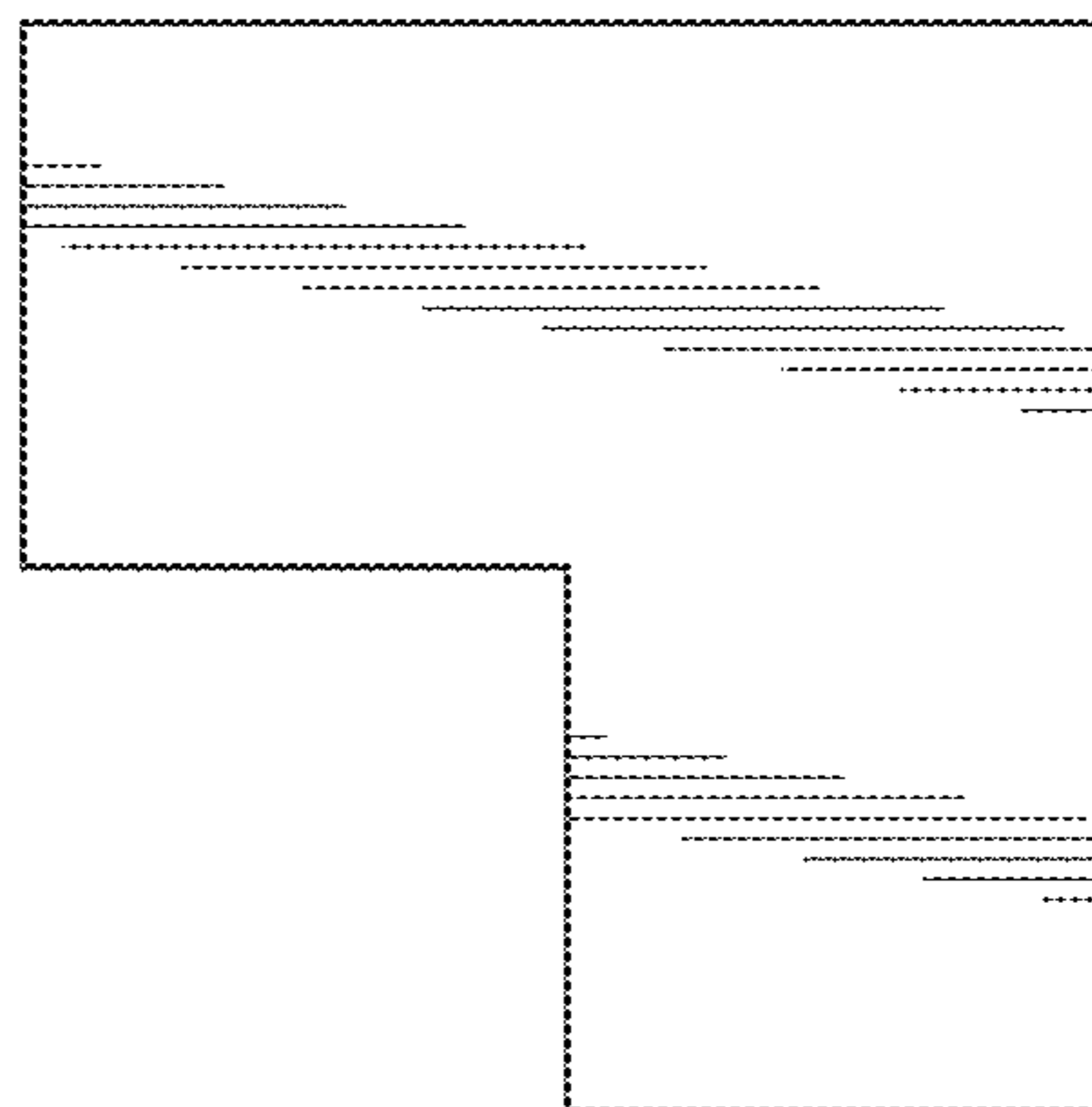


FIG. 10

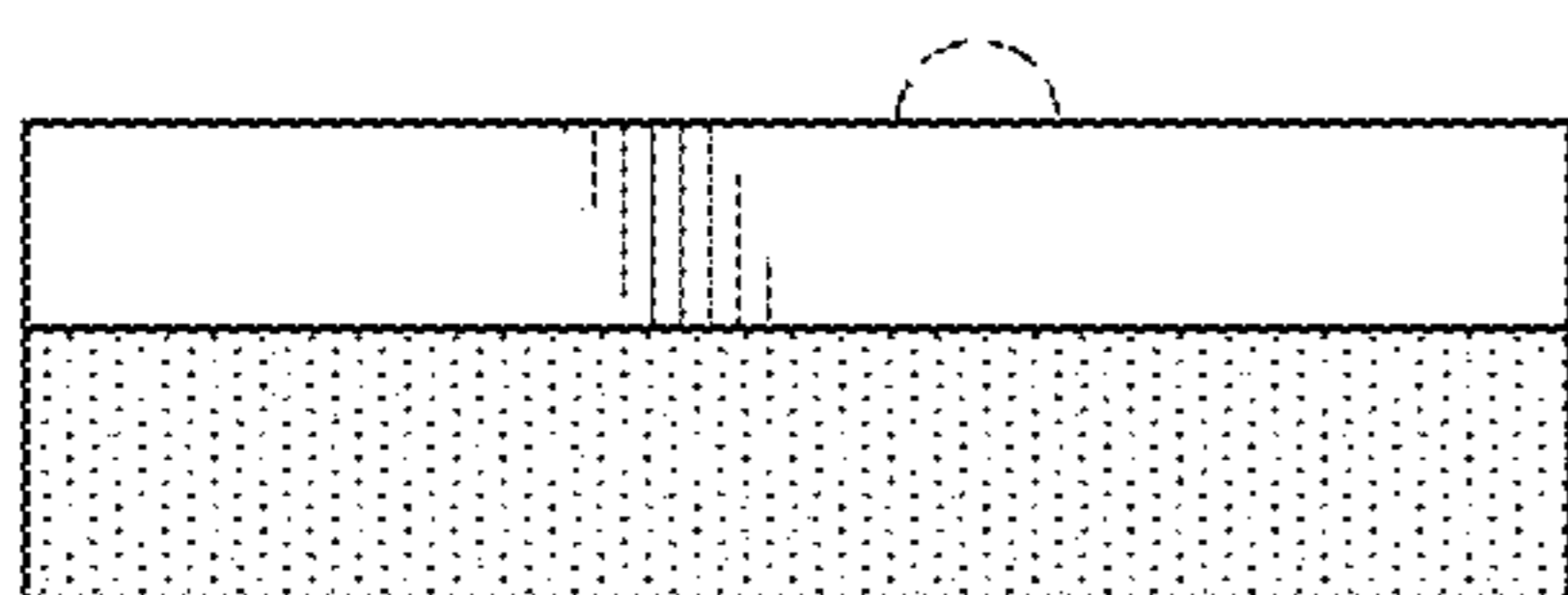


FIG. 11

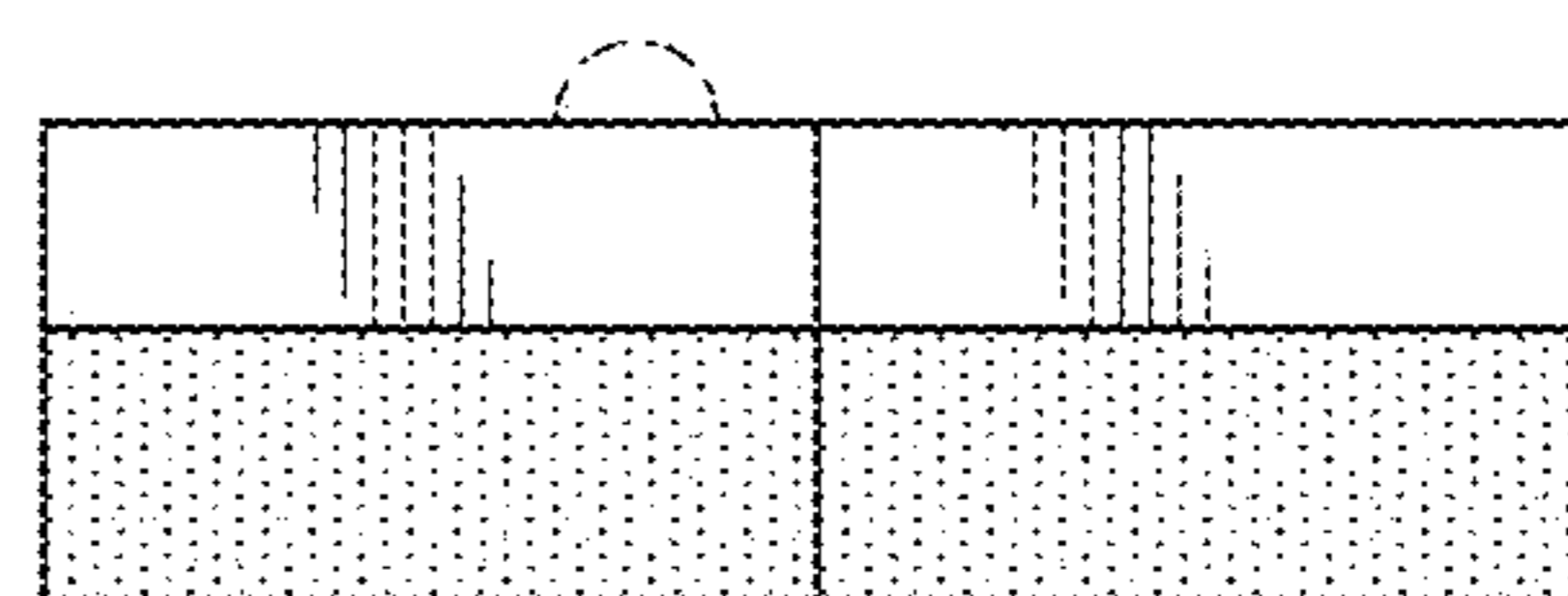


FIG. 12

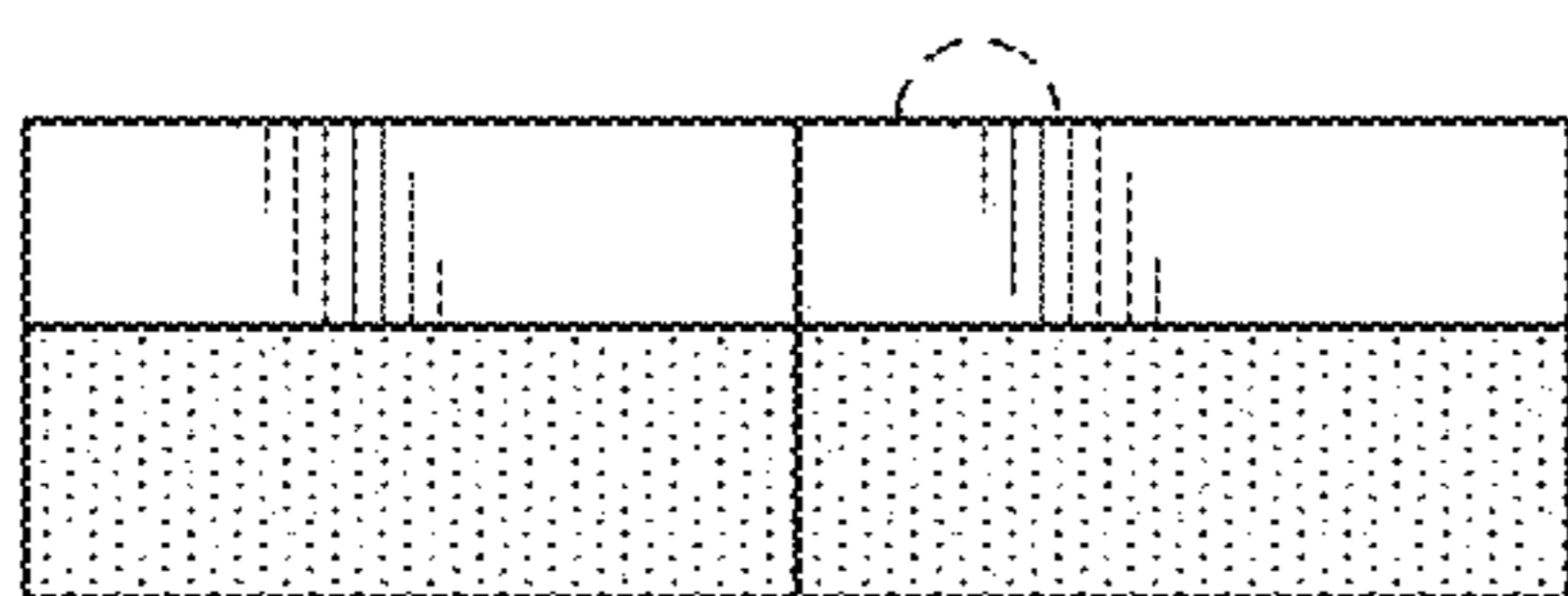


FIG. 13

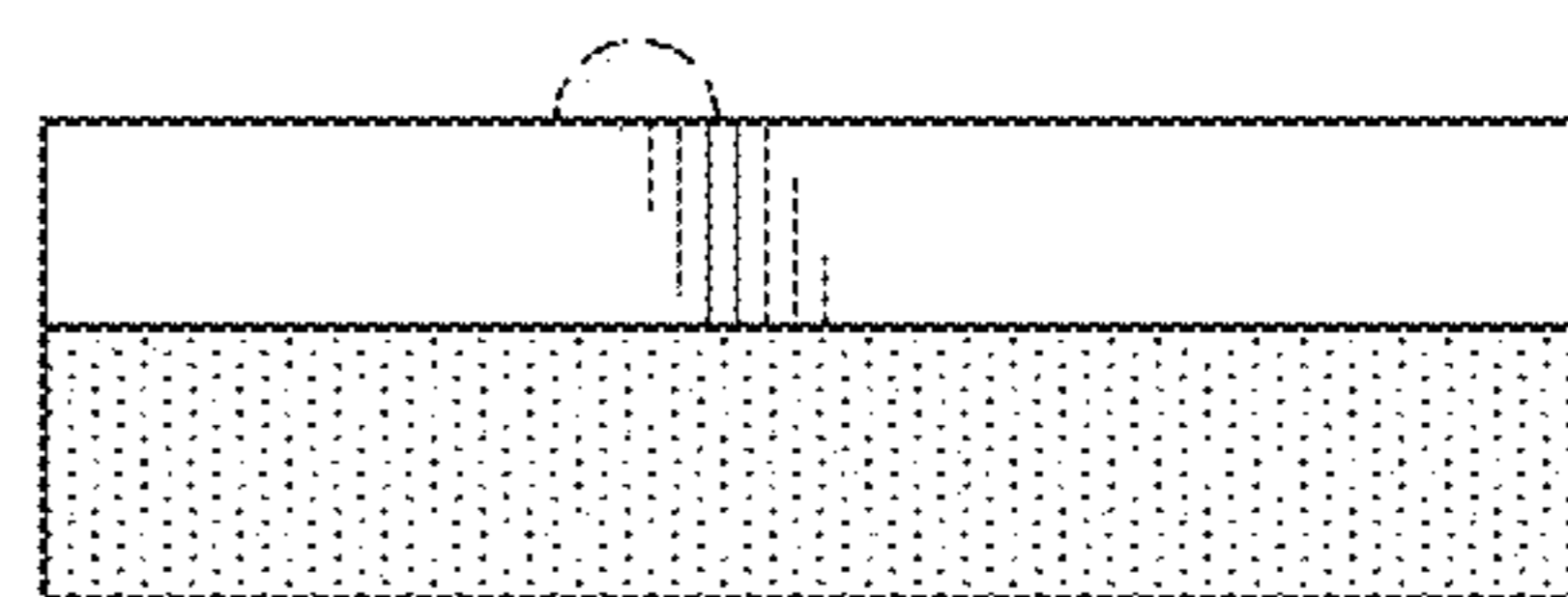


FIG. 14

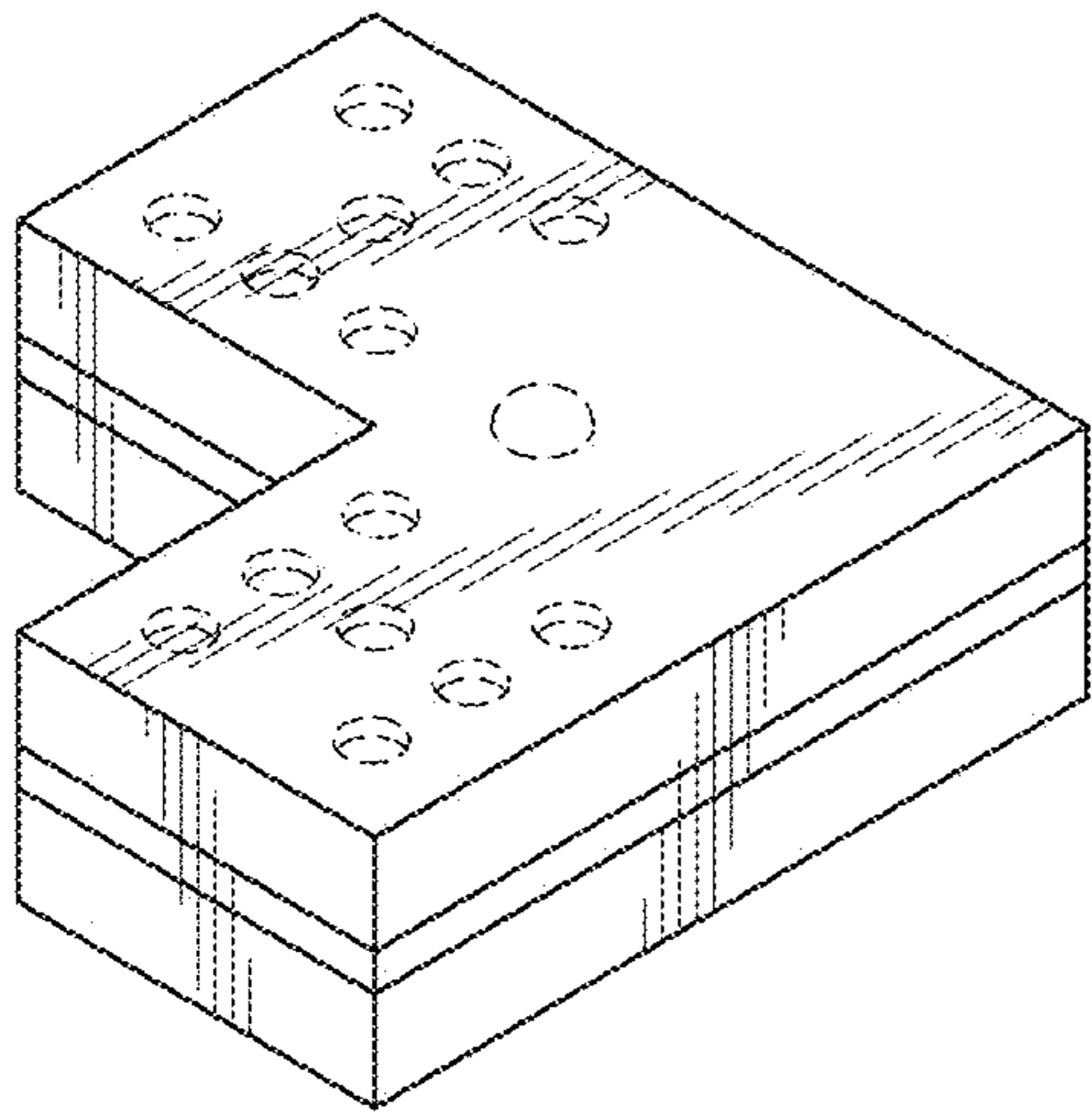


FIG. 15

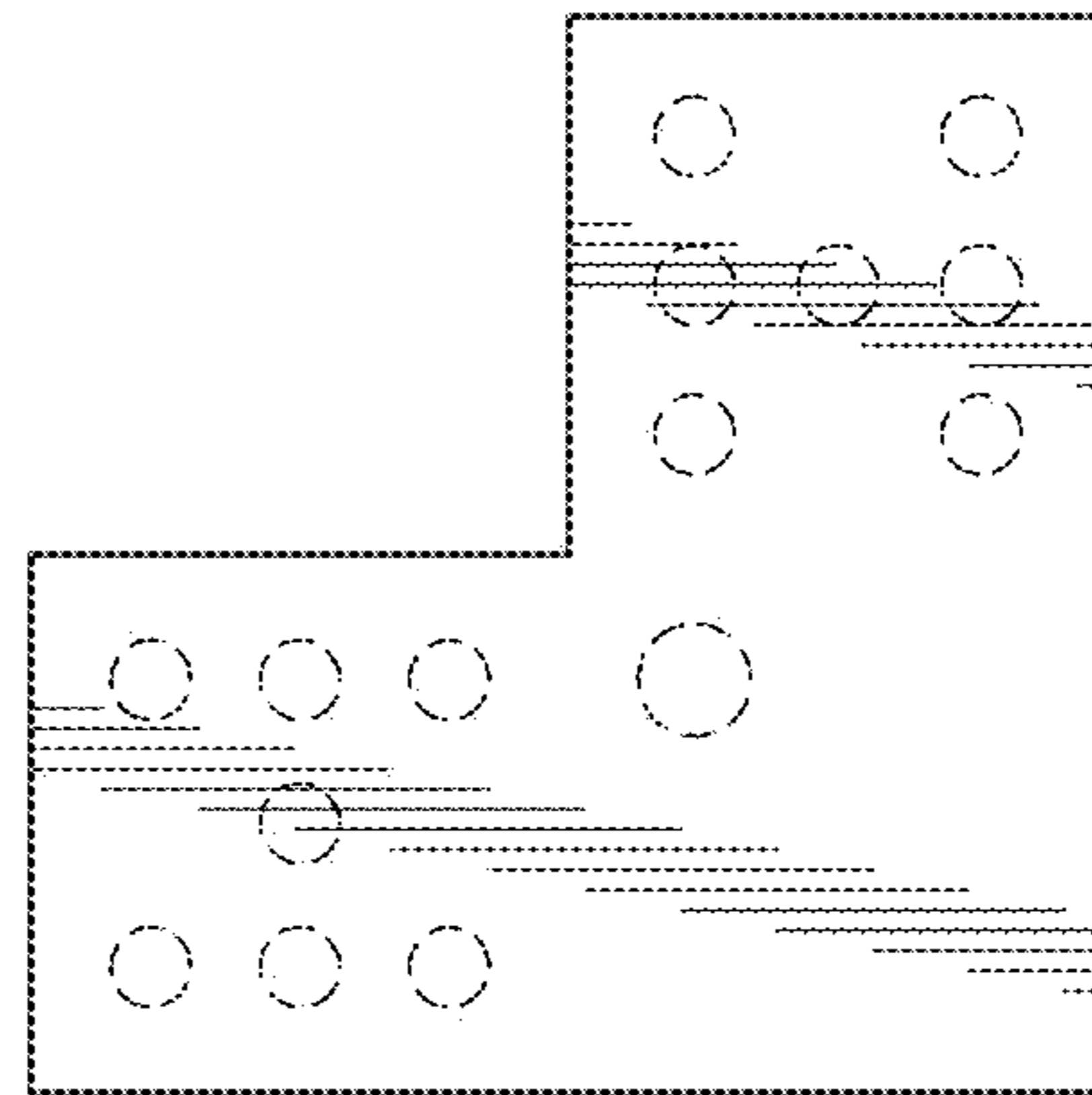


FIG. 16

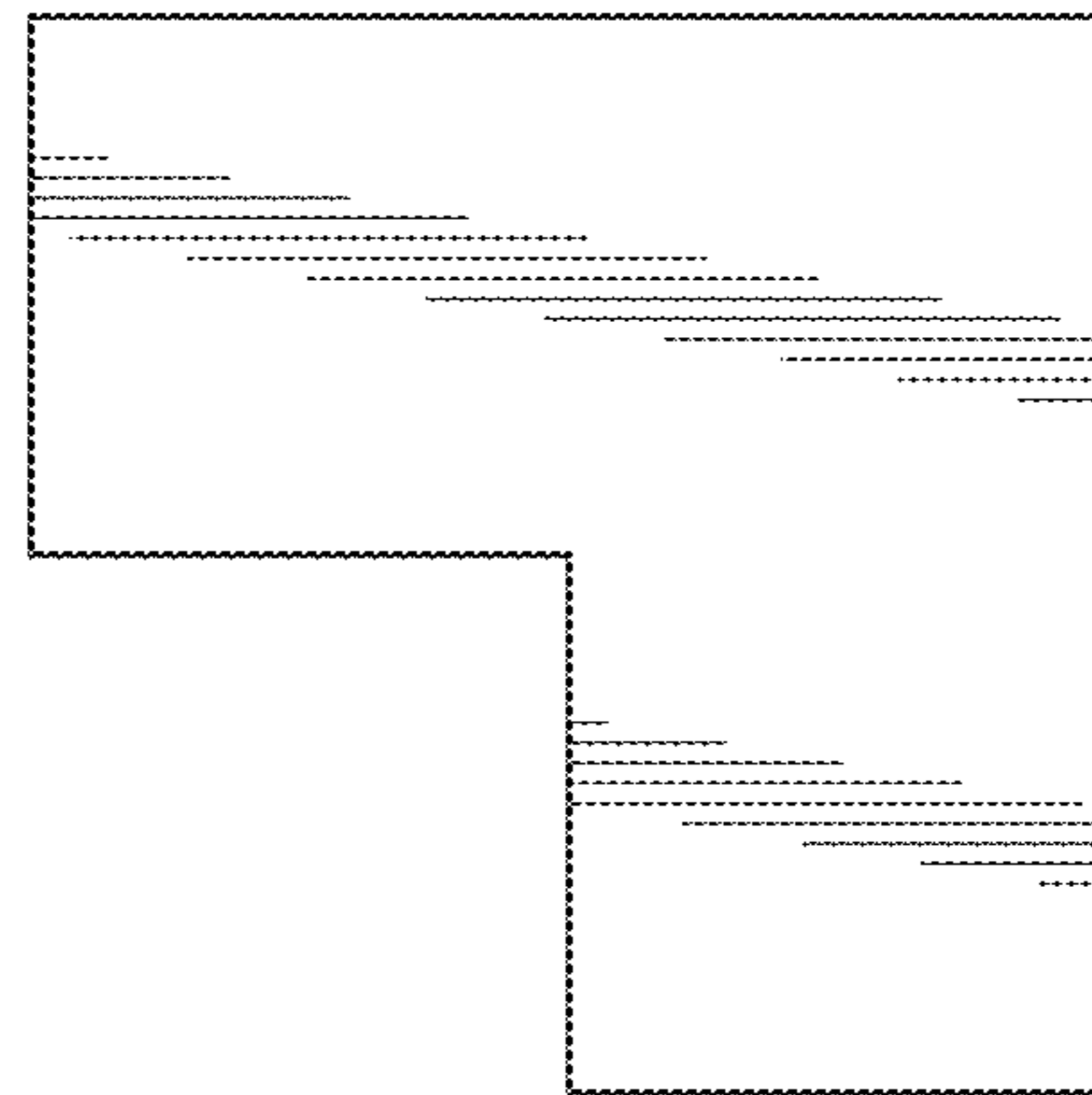


FIG. 17

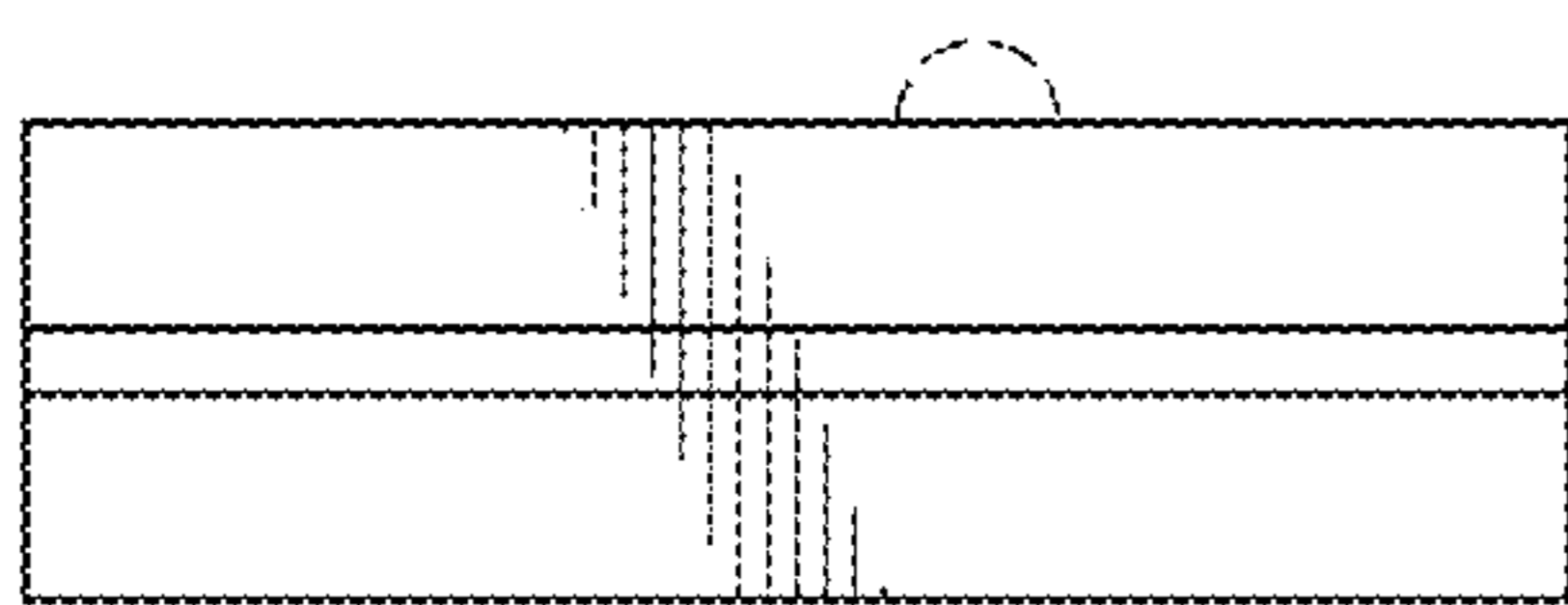


FIG. 18

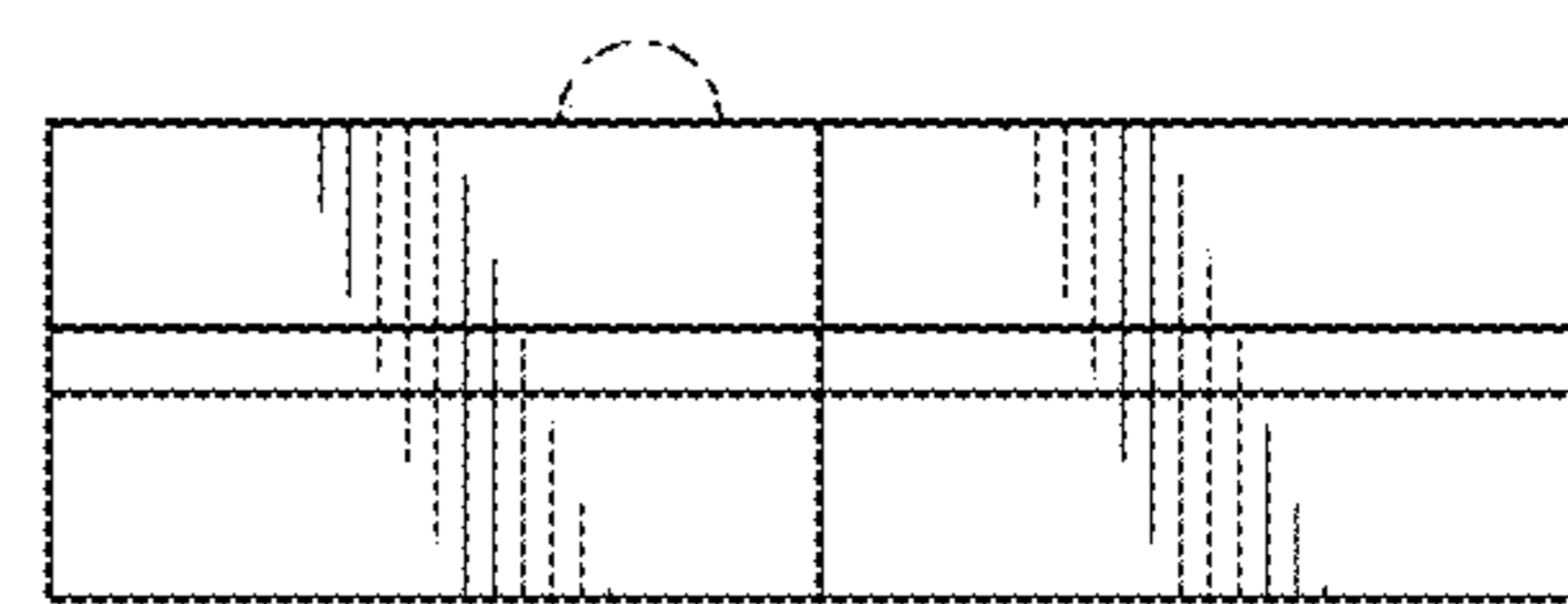


FIG. 19

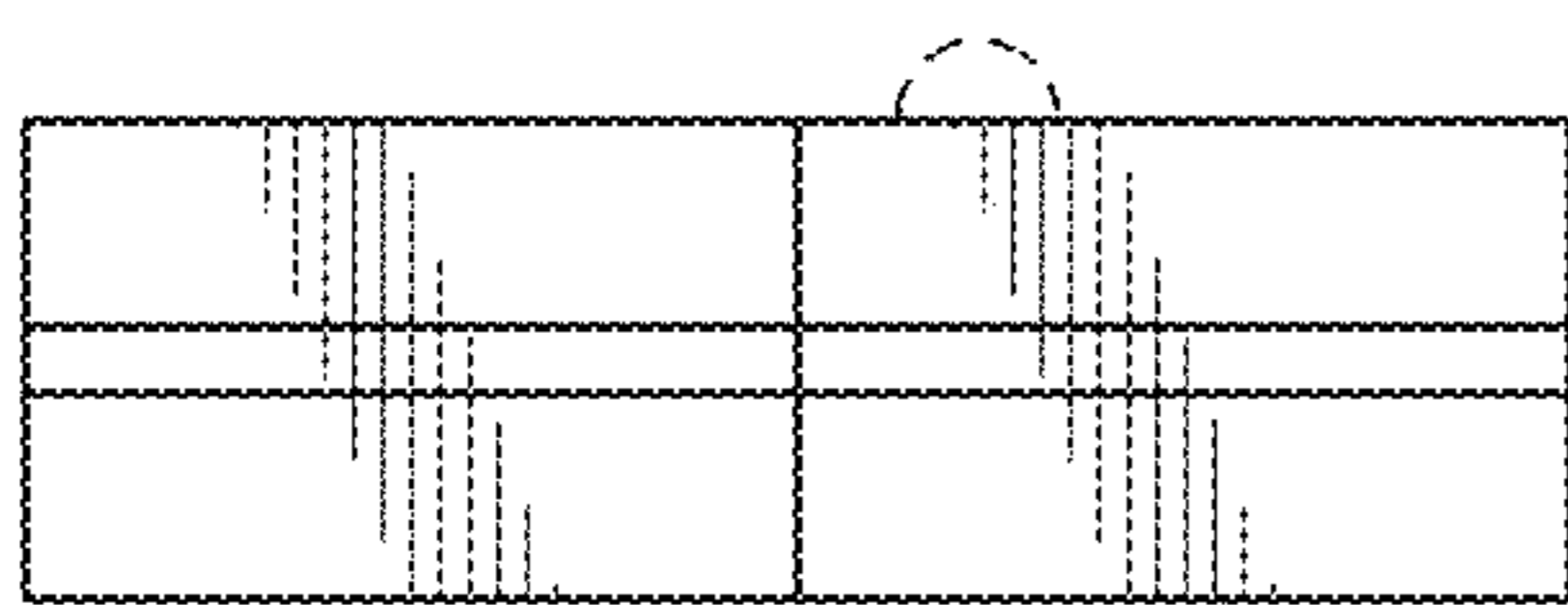


FIG. 20

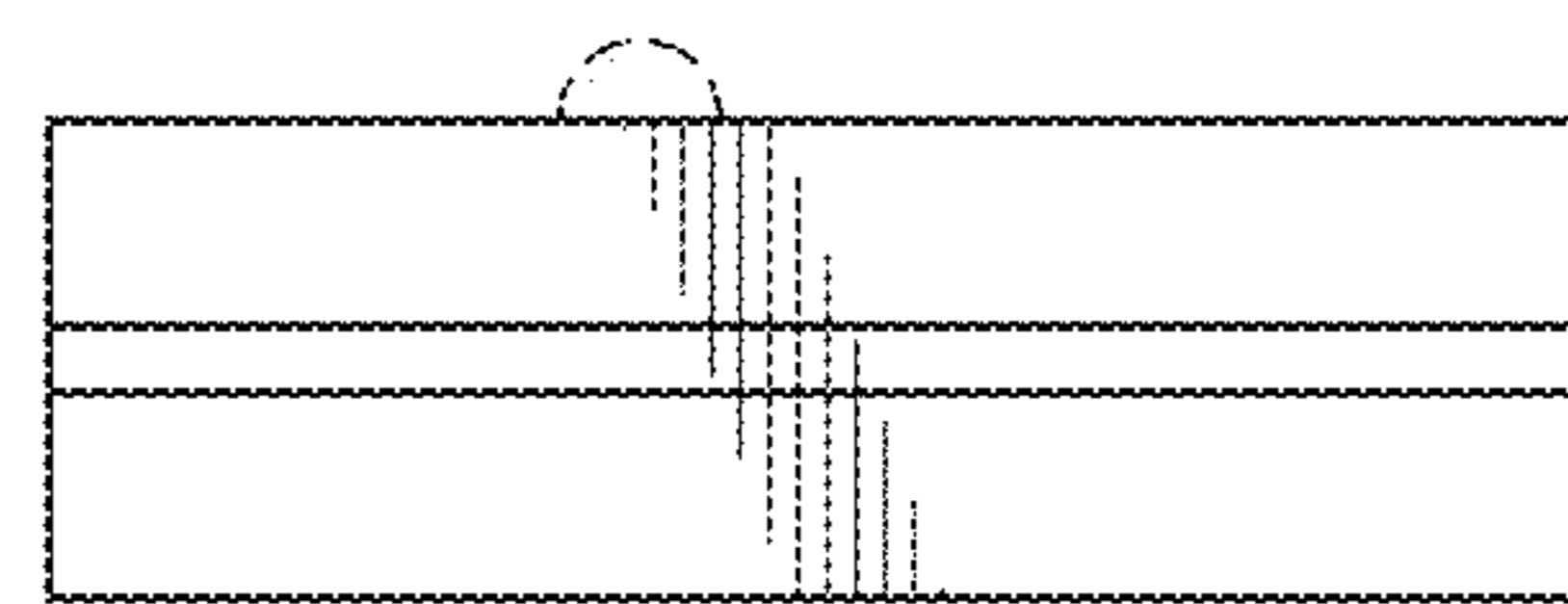


FIG. 21

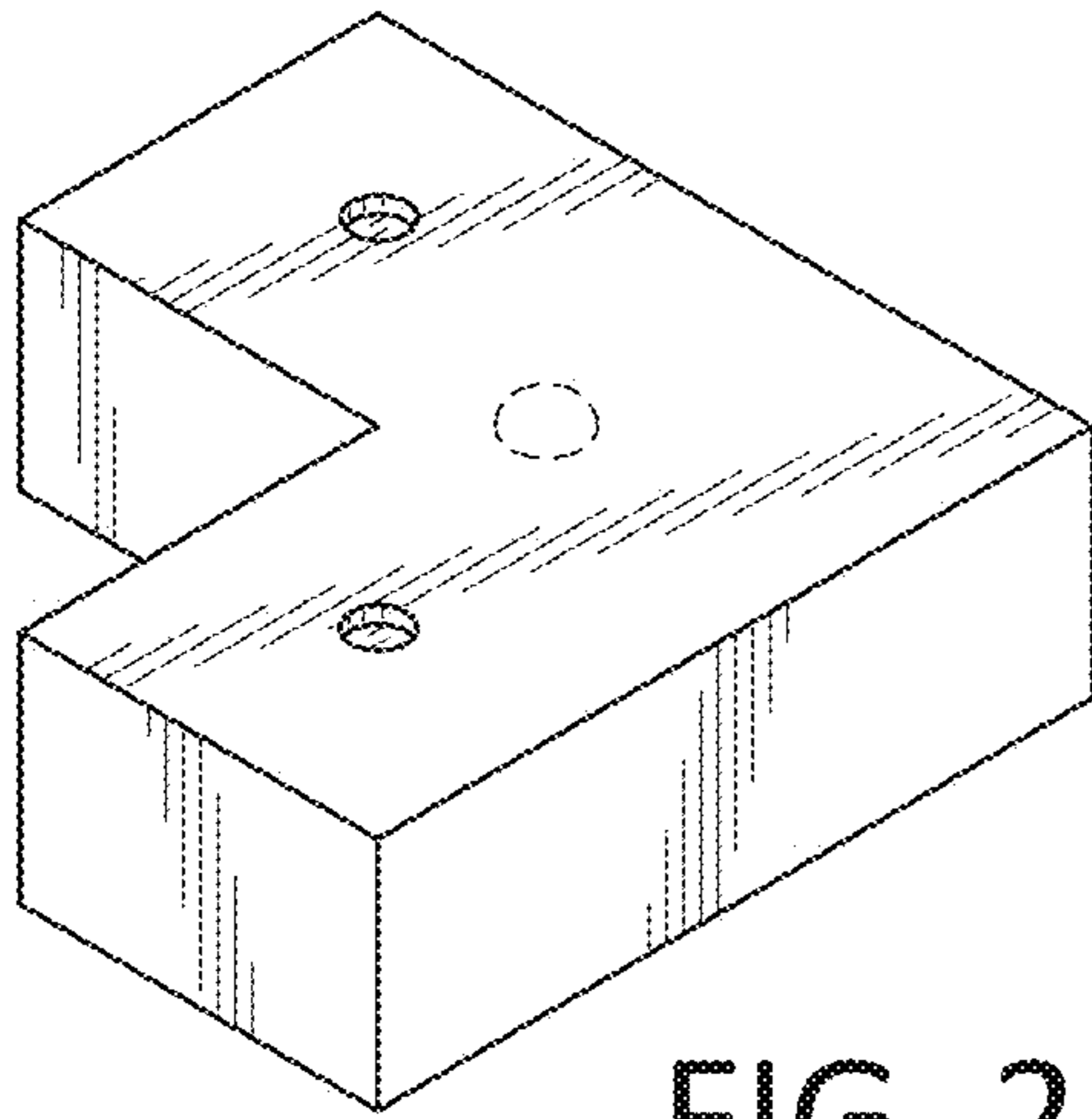


FIG. 22

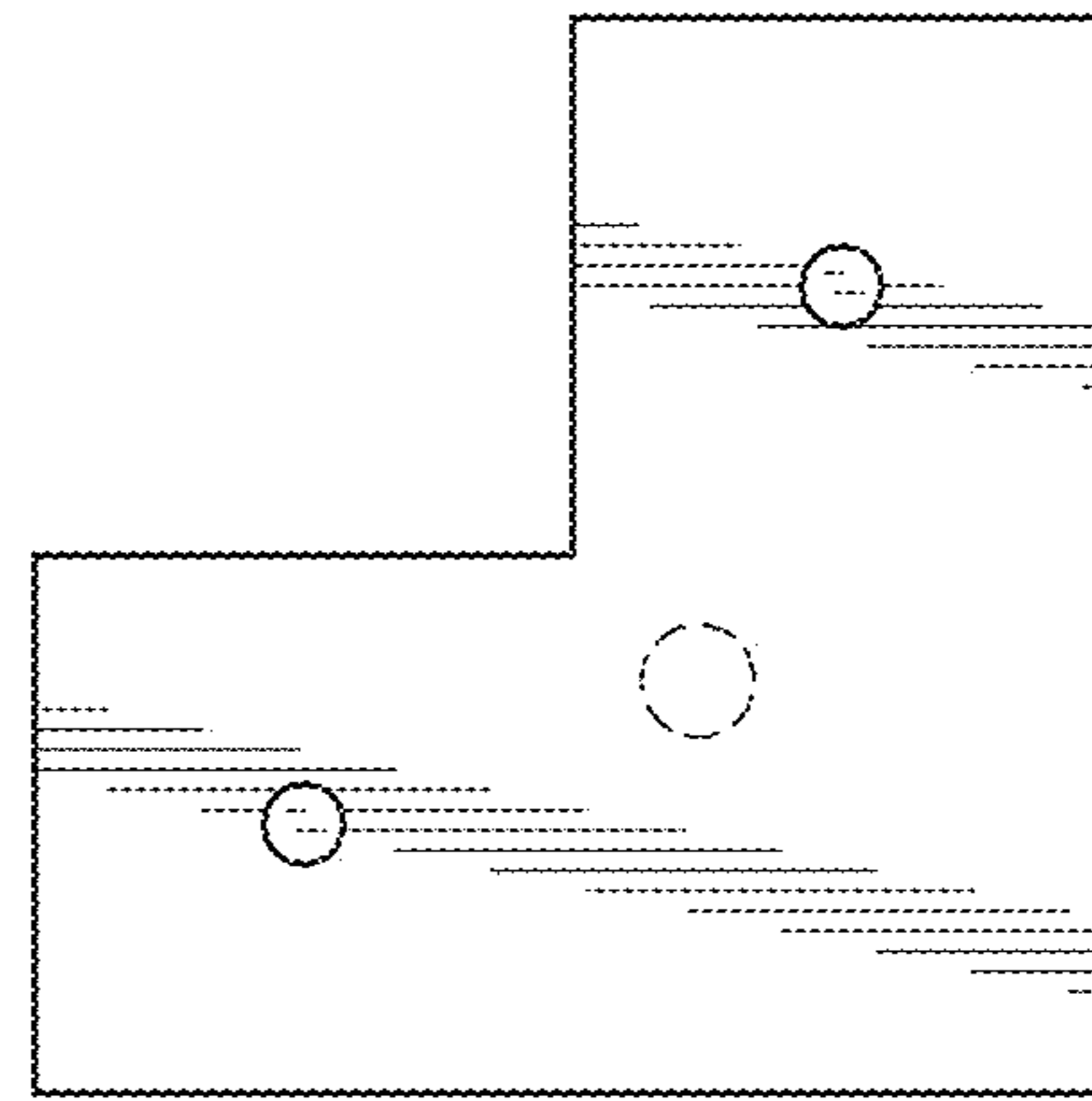


FIG. 23

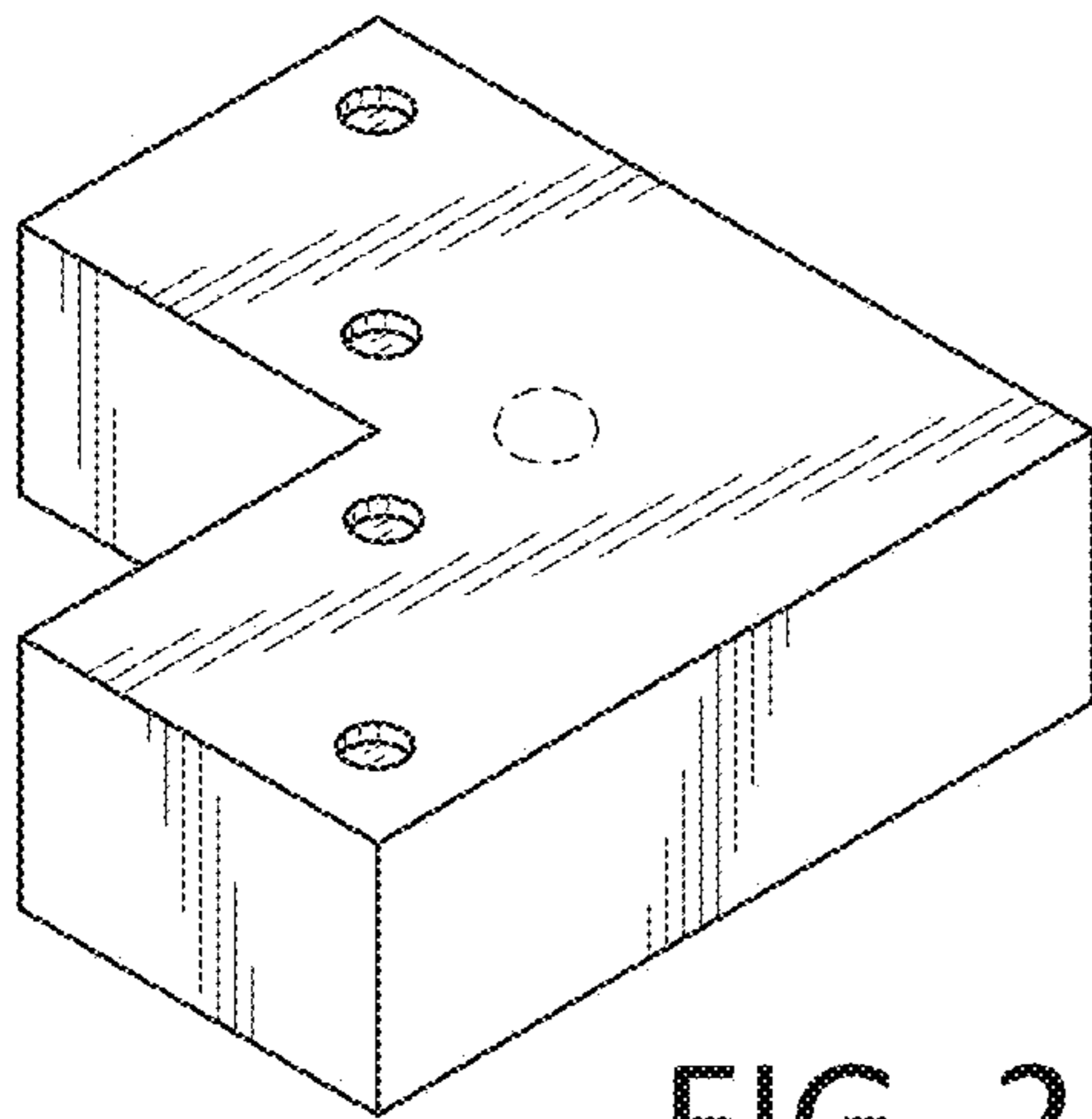


FIG. 24

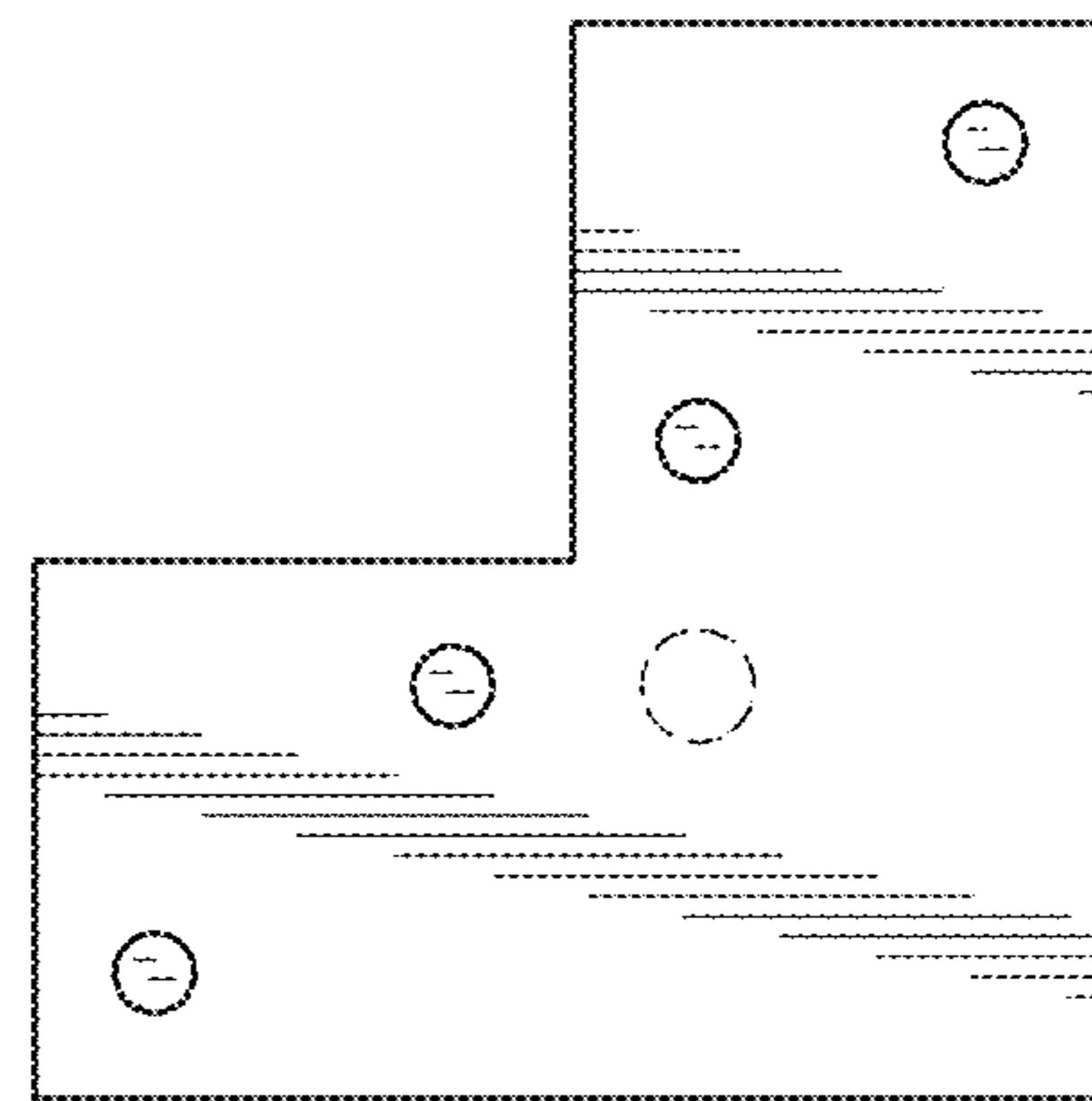


FIG. 25

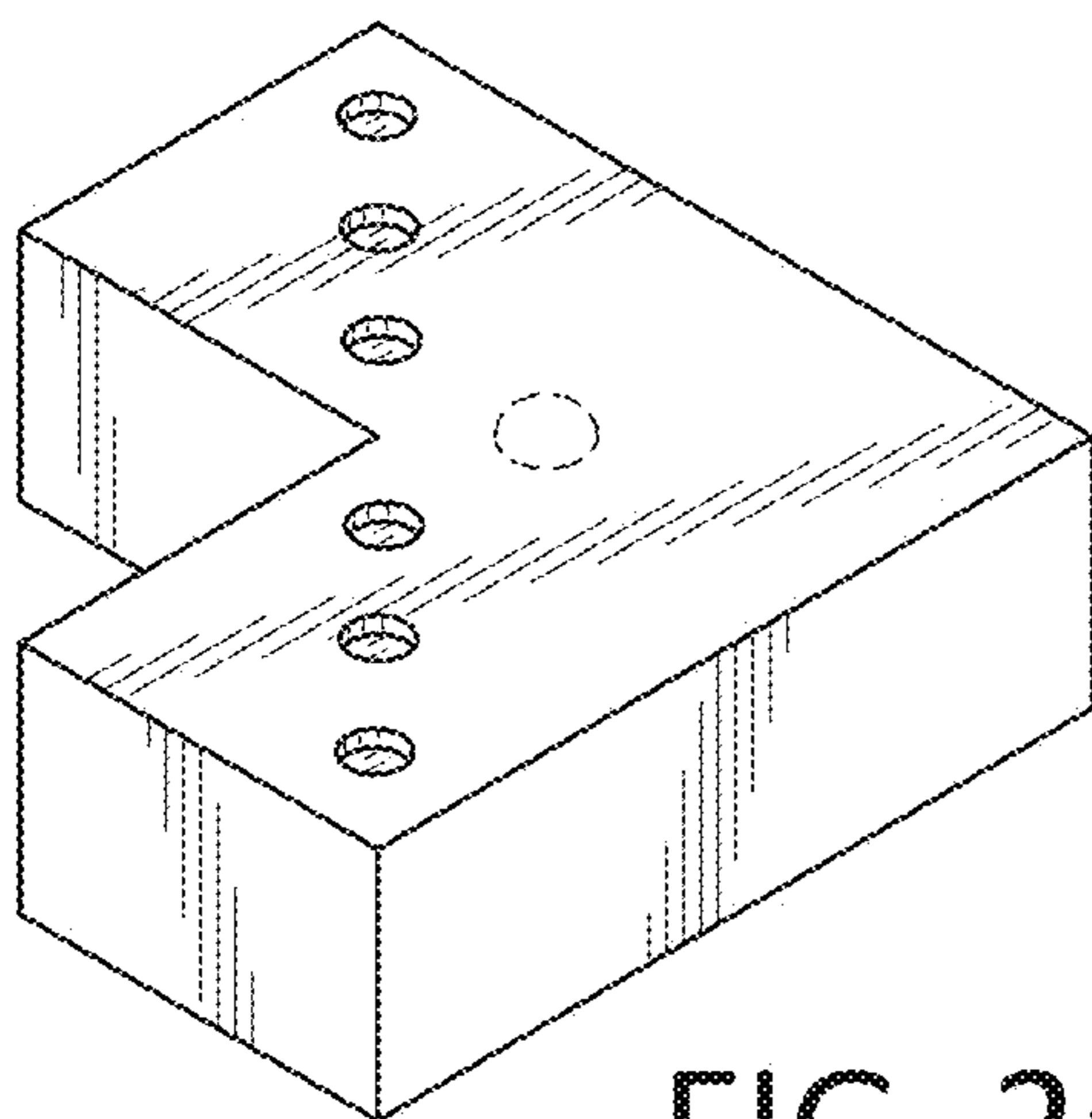


FIG. 26

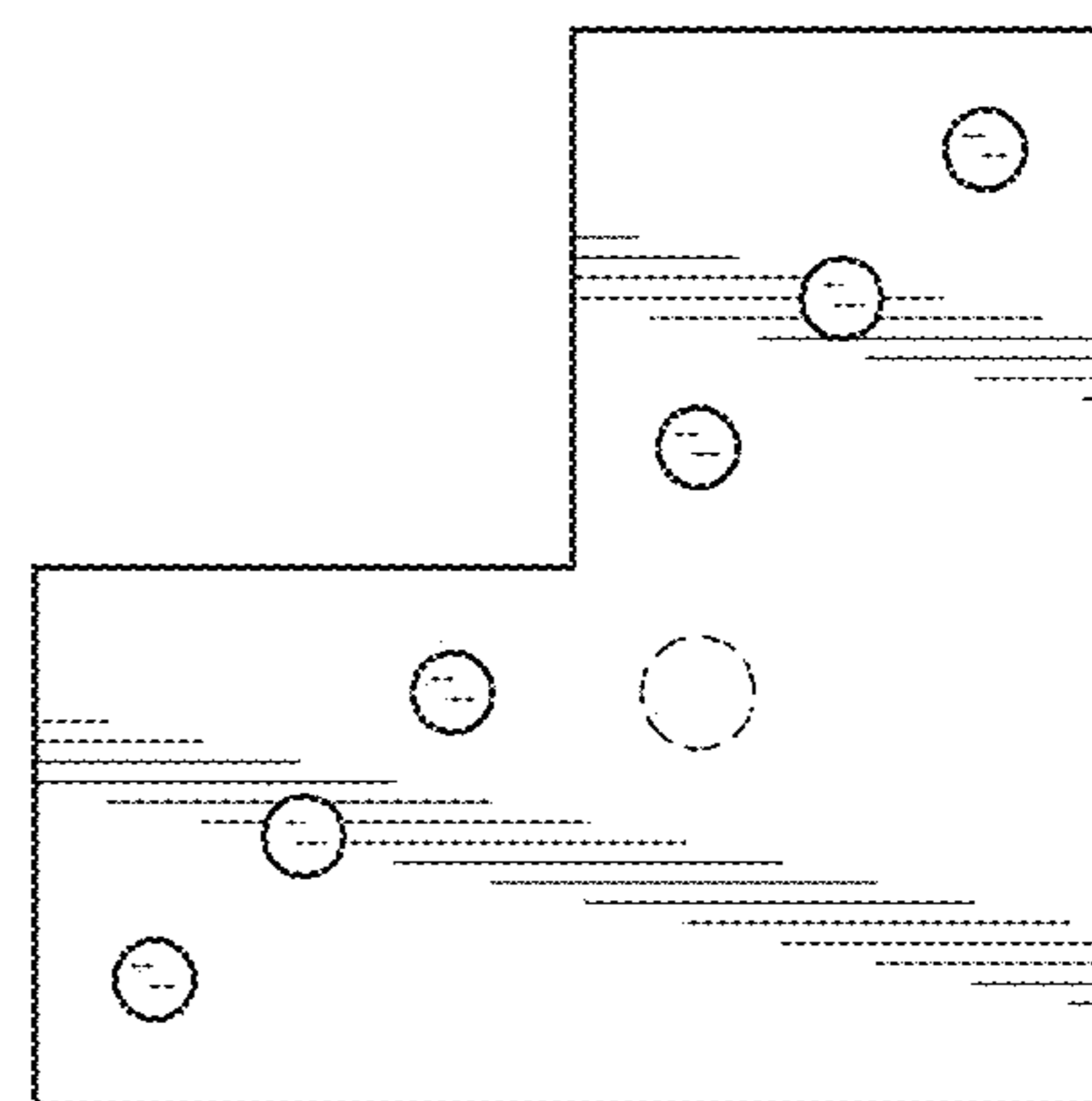


FIG. 27



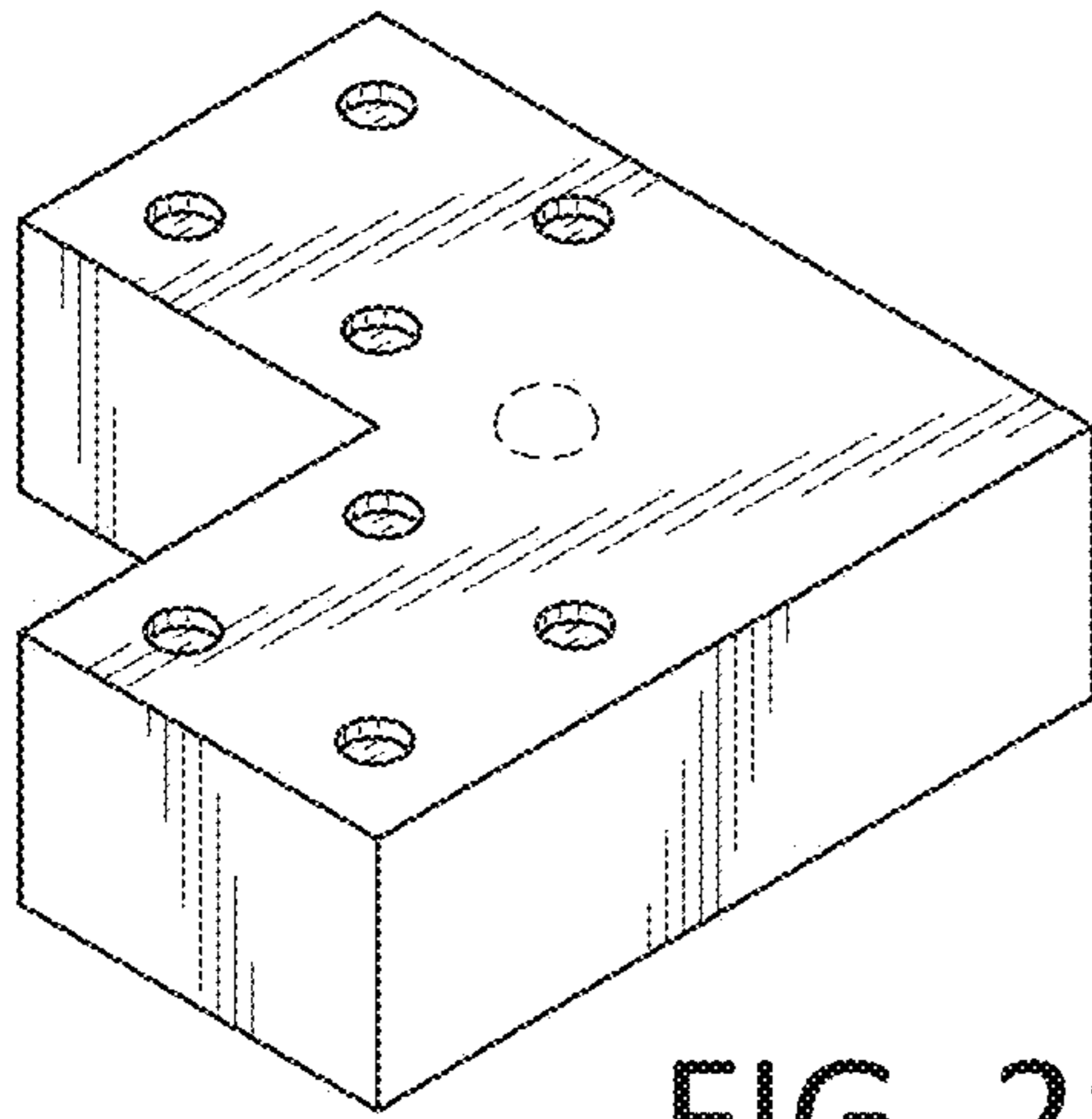


FIG. 28

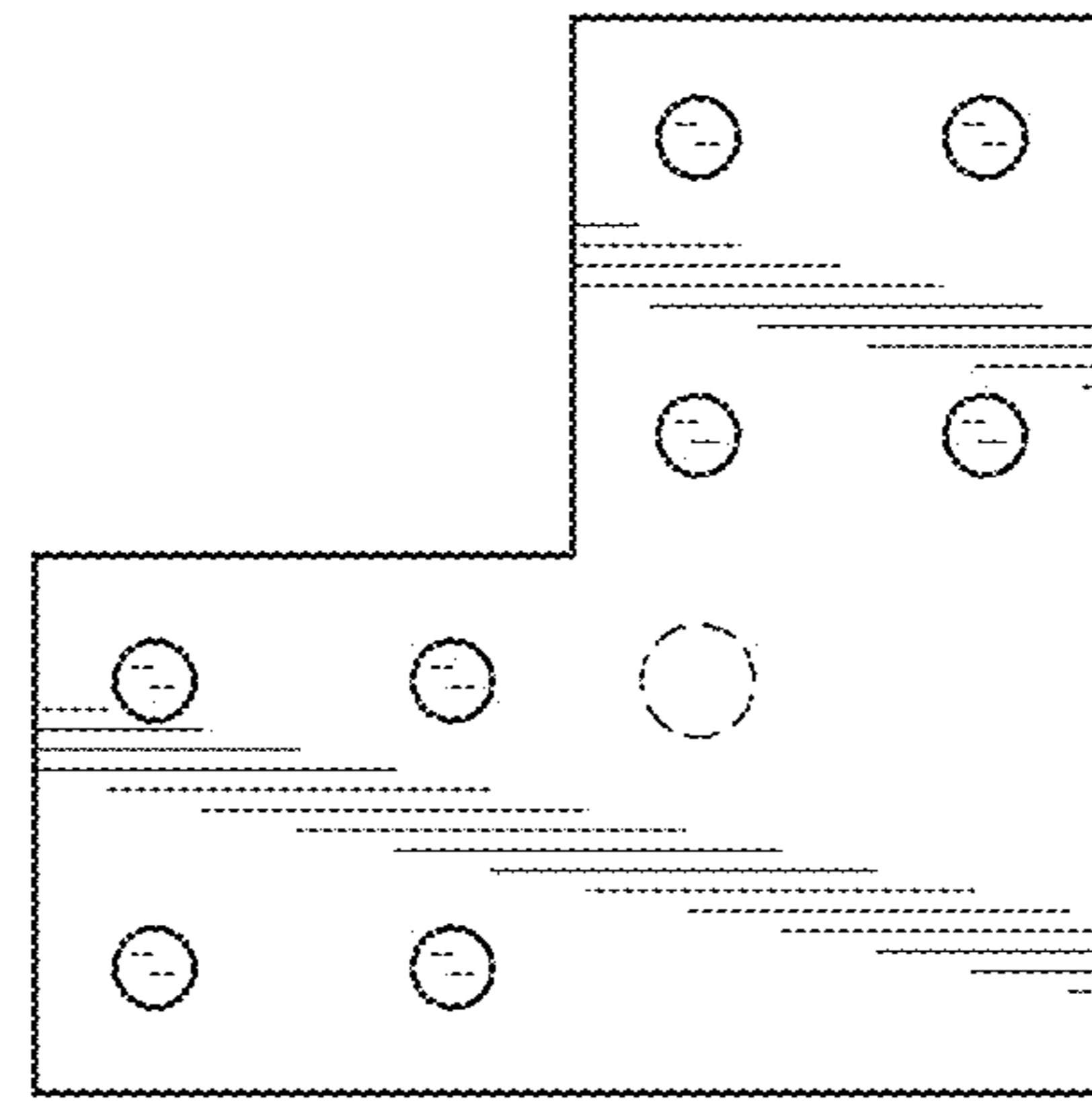


FIG. 29

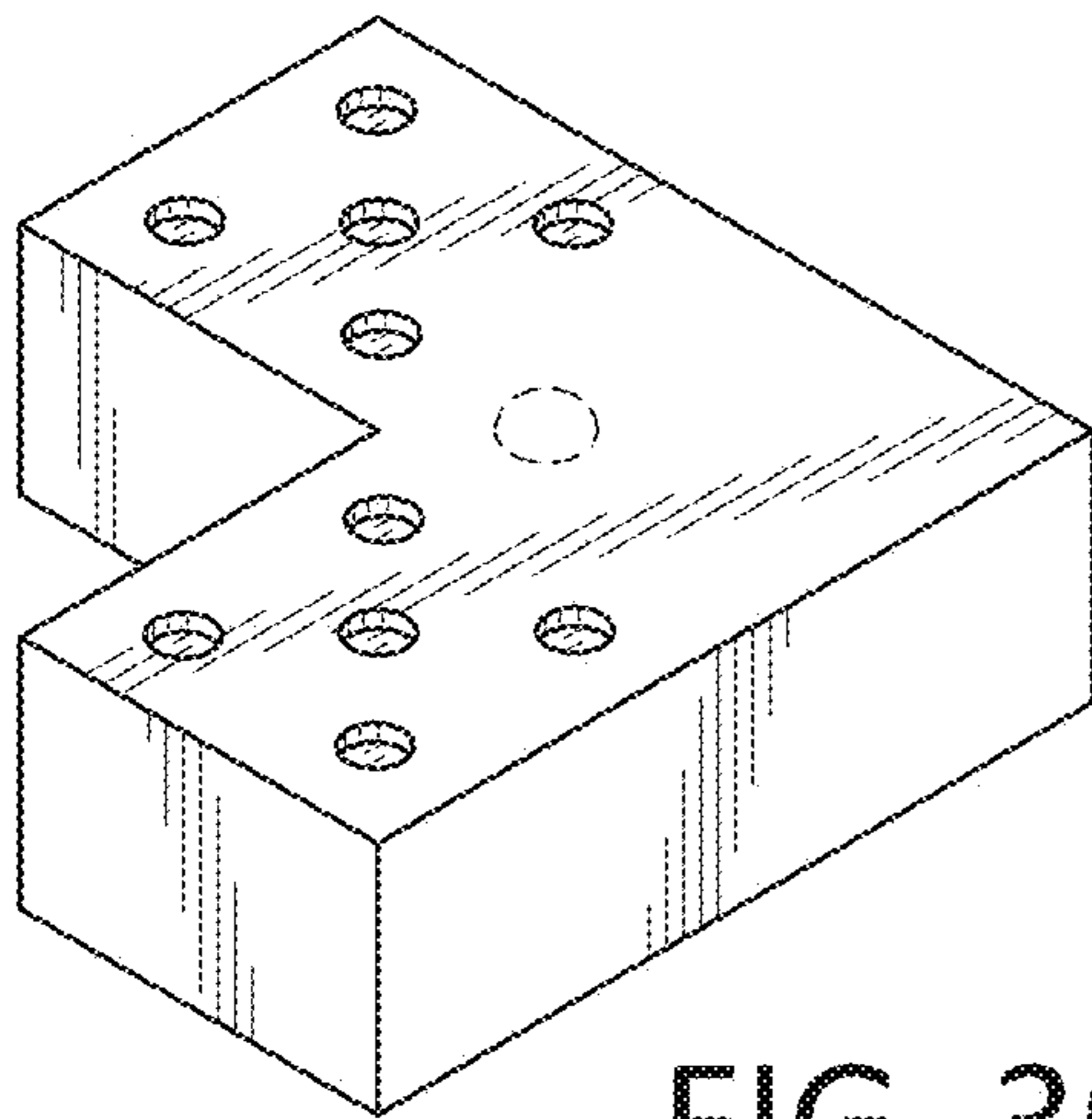


FIG. 30

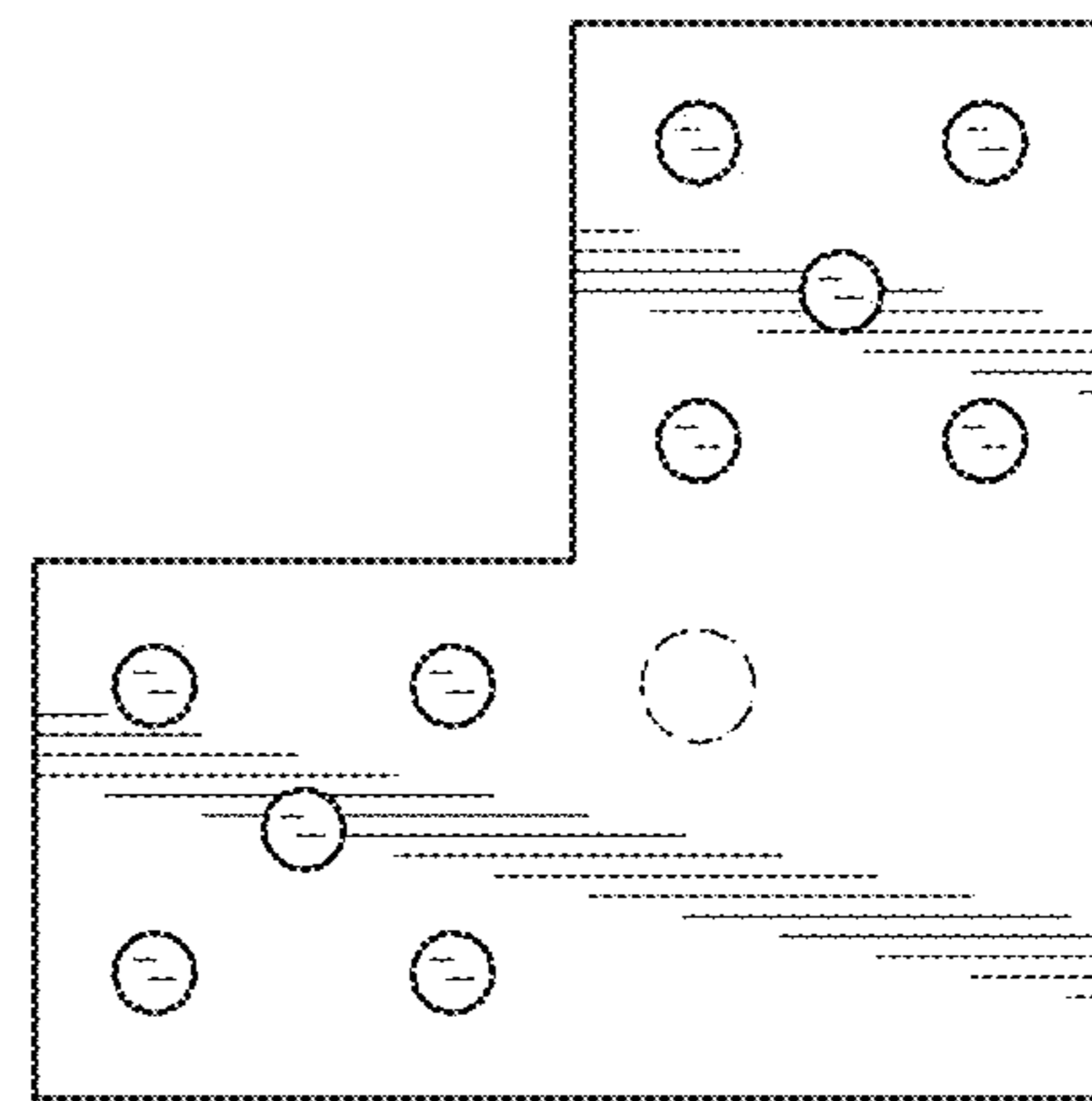


FIG. 31

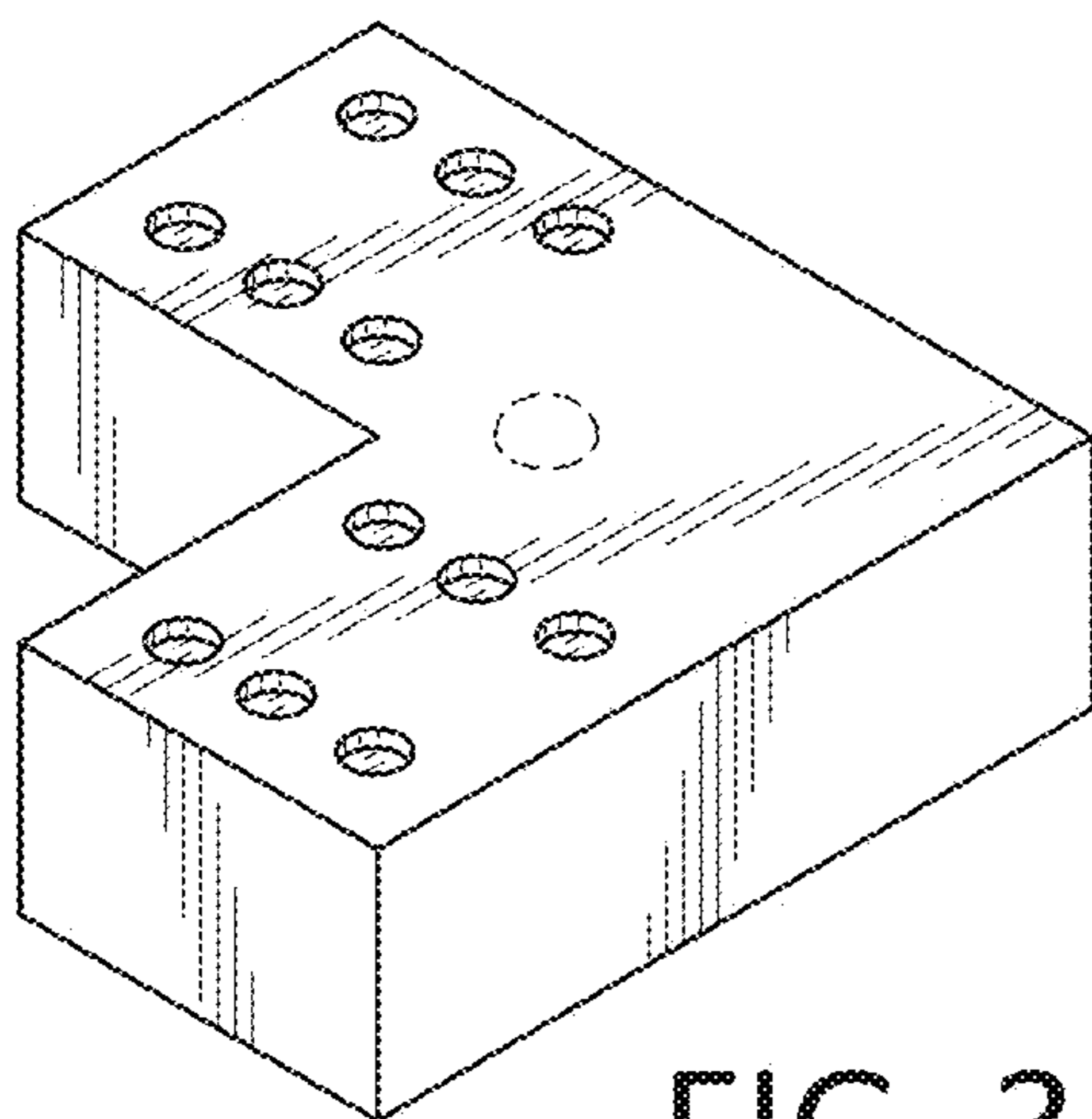


FIG. 32

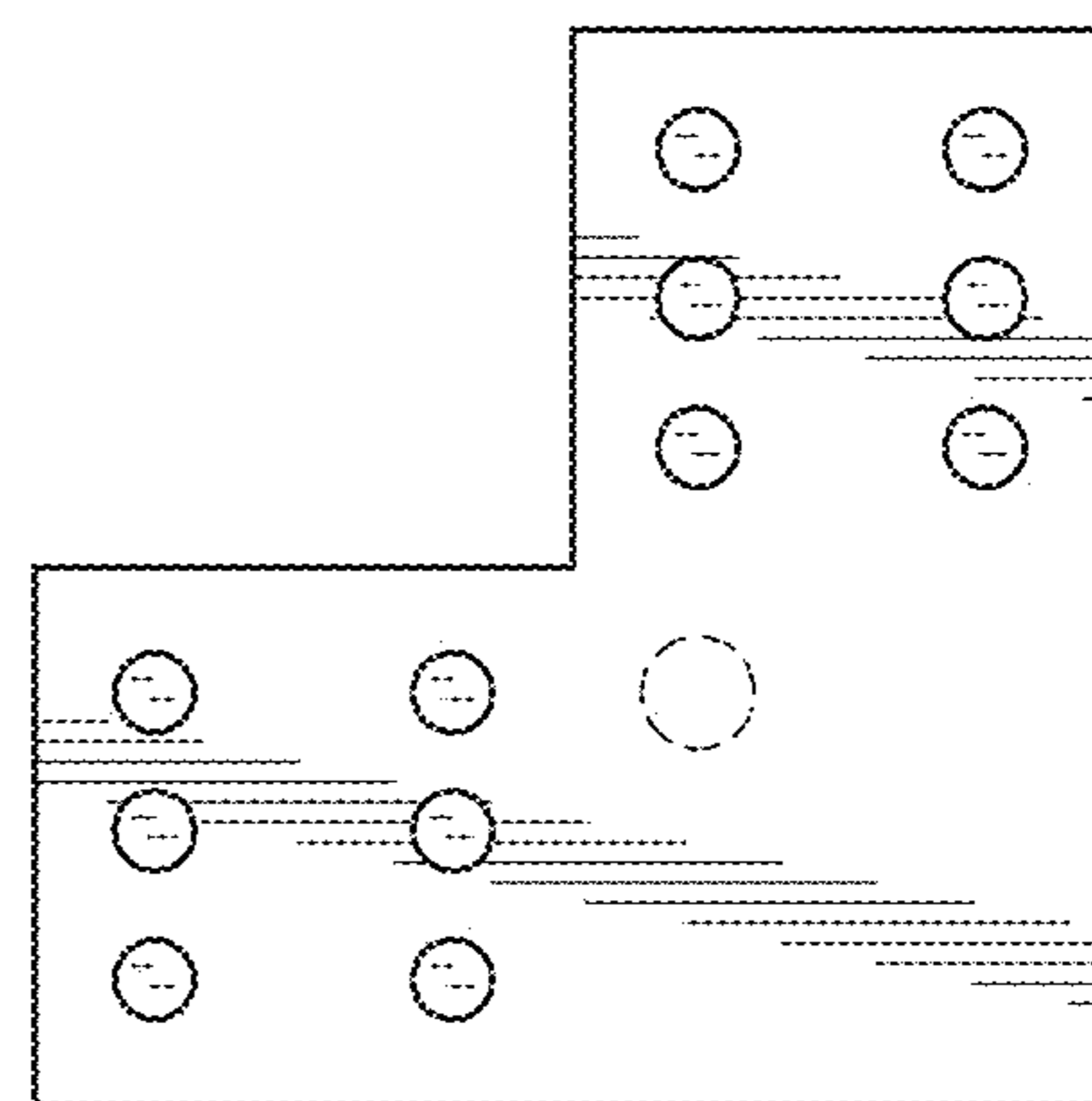


FIG. 33

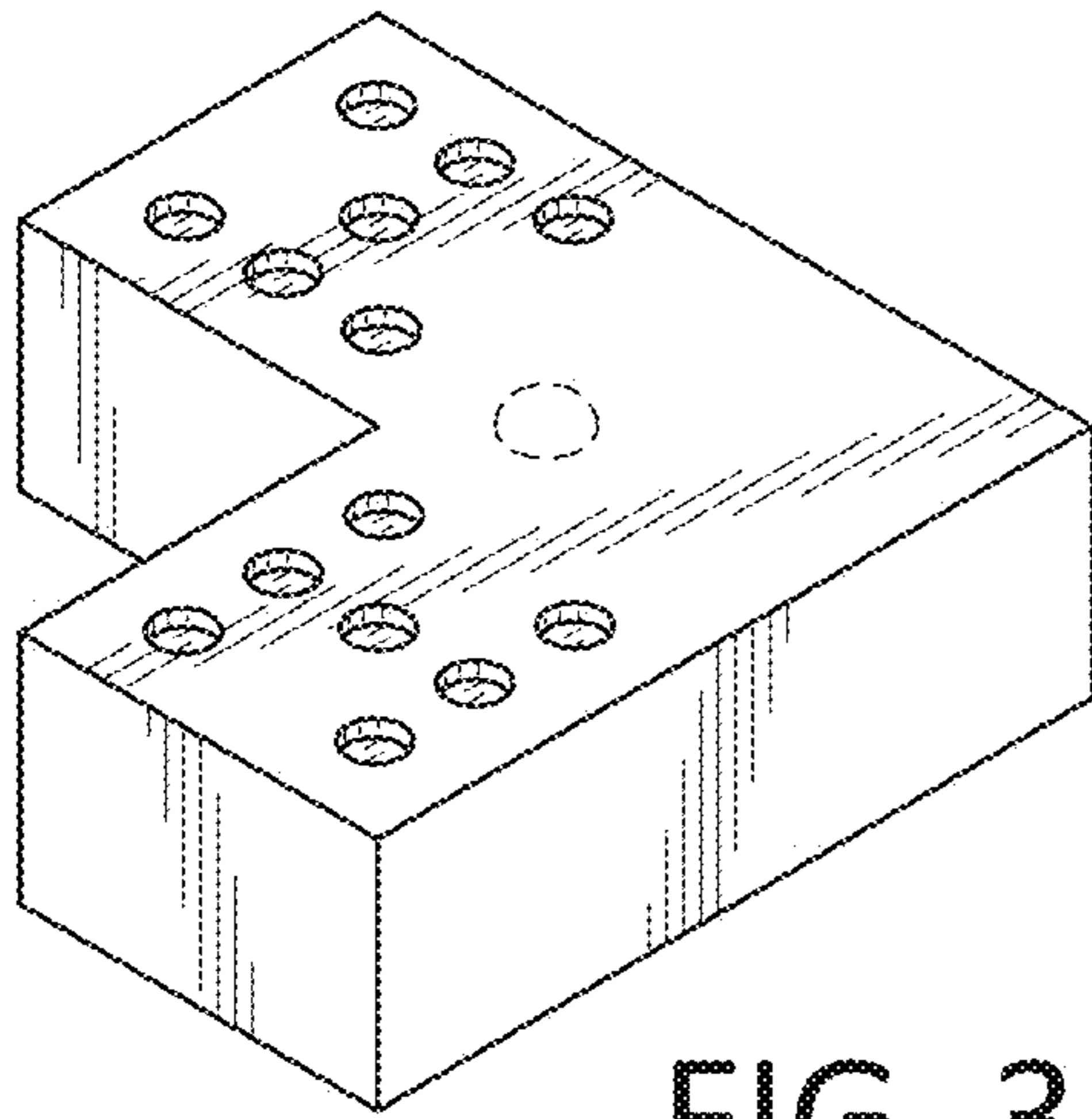


FIG. 34

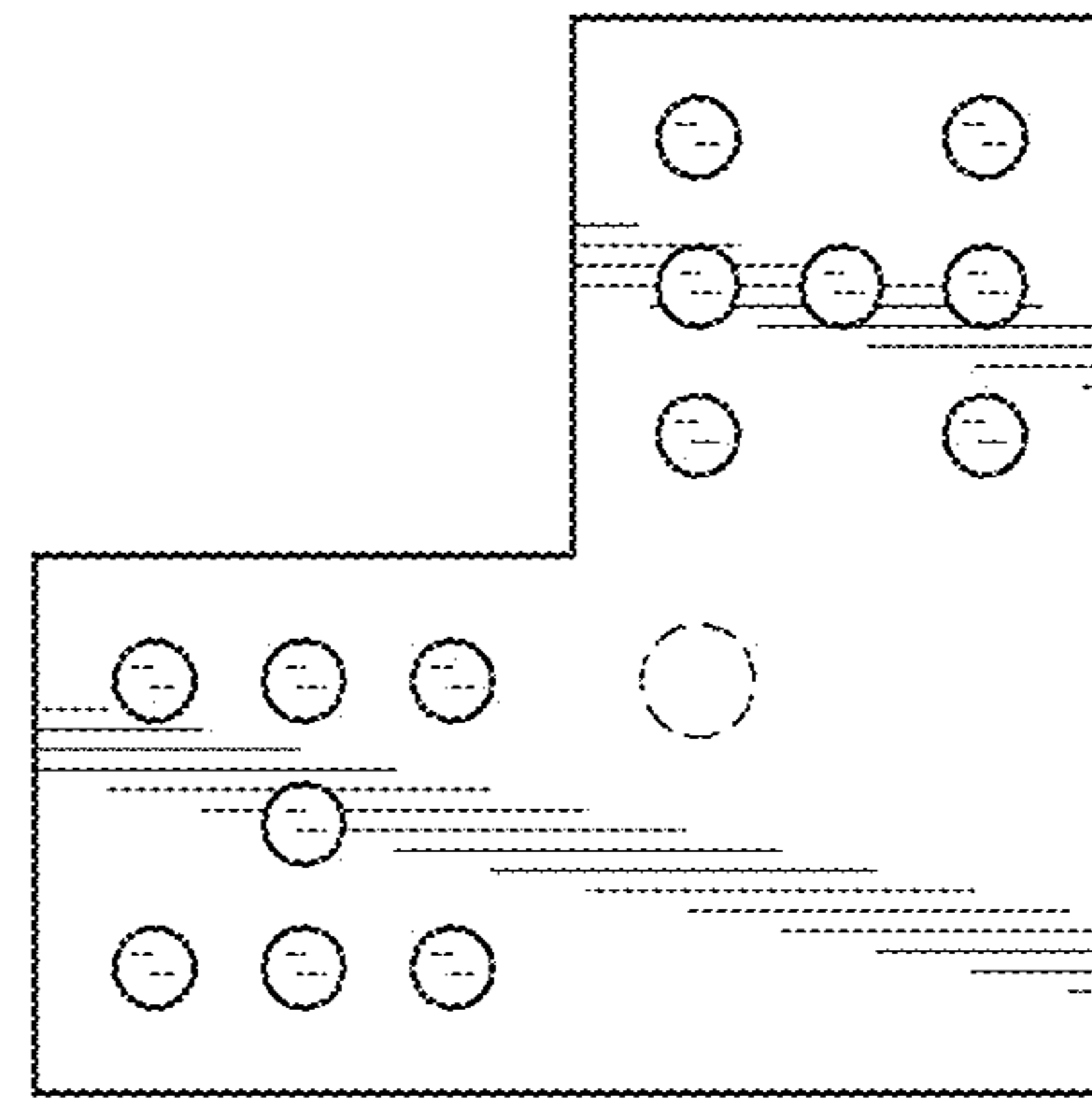


FIG. 35

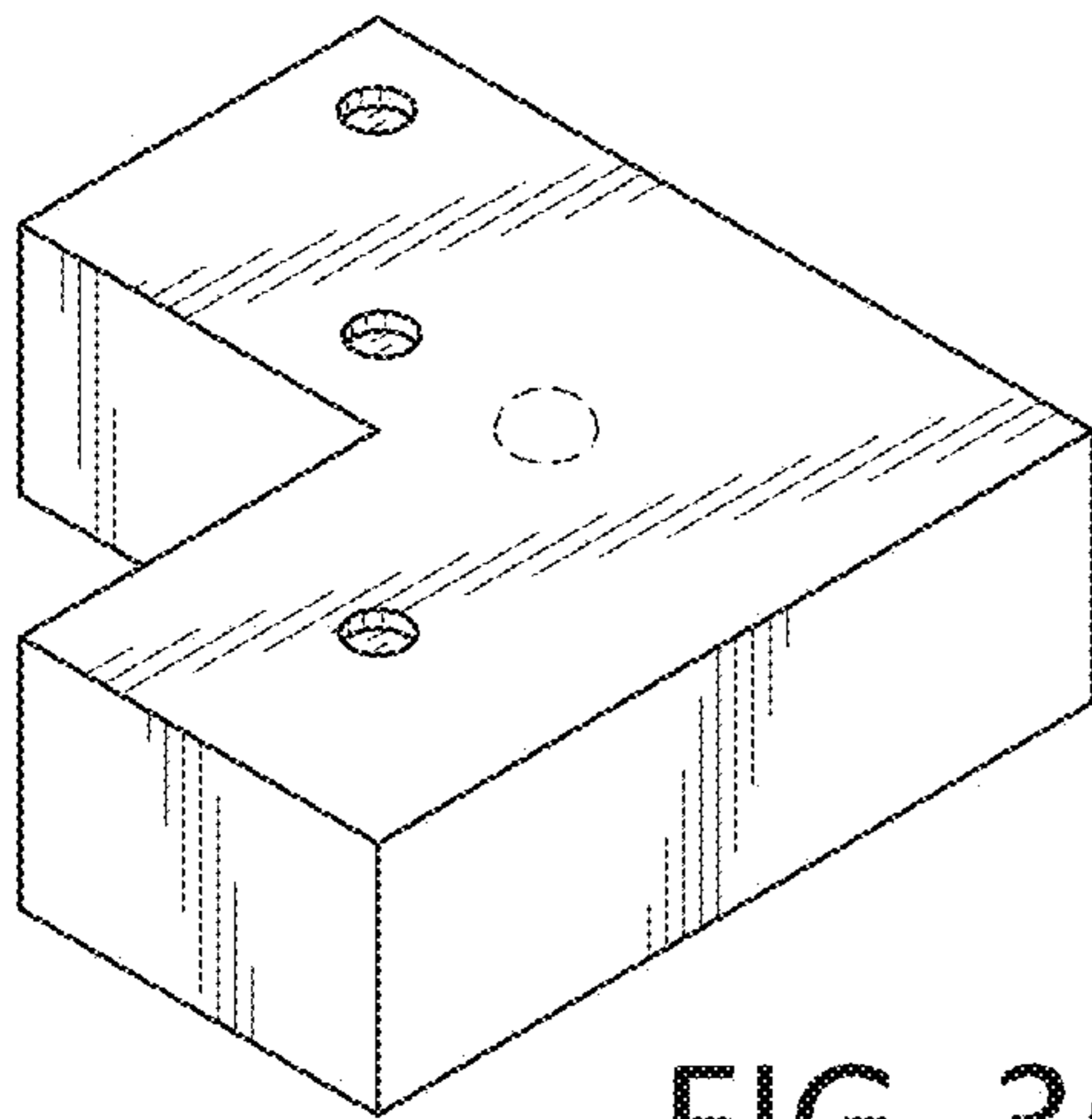


FIG. 36

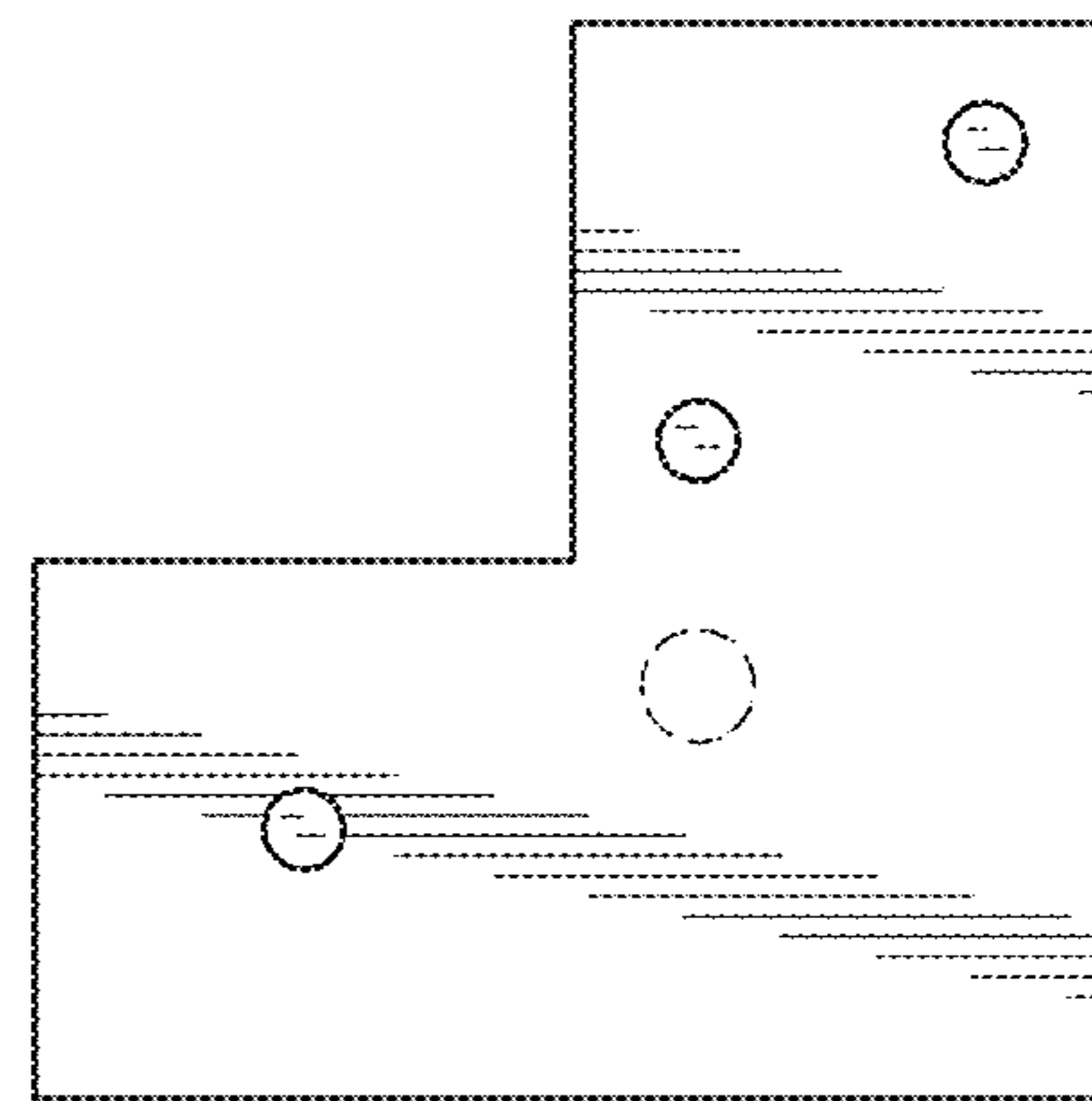


FIG. 37

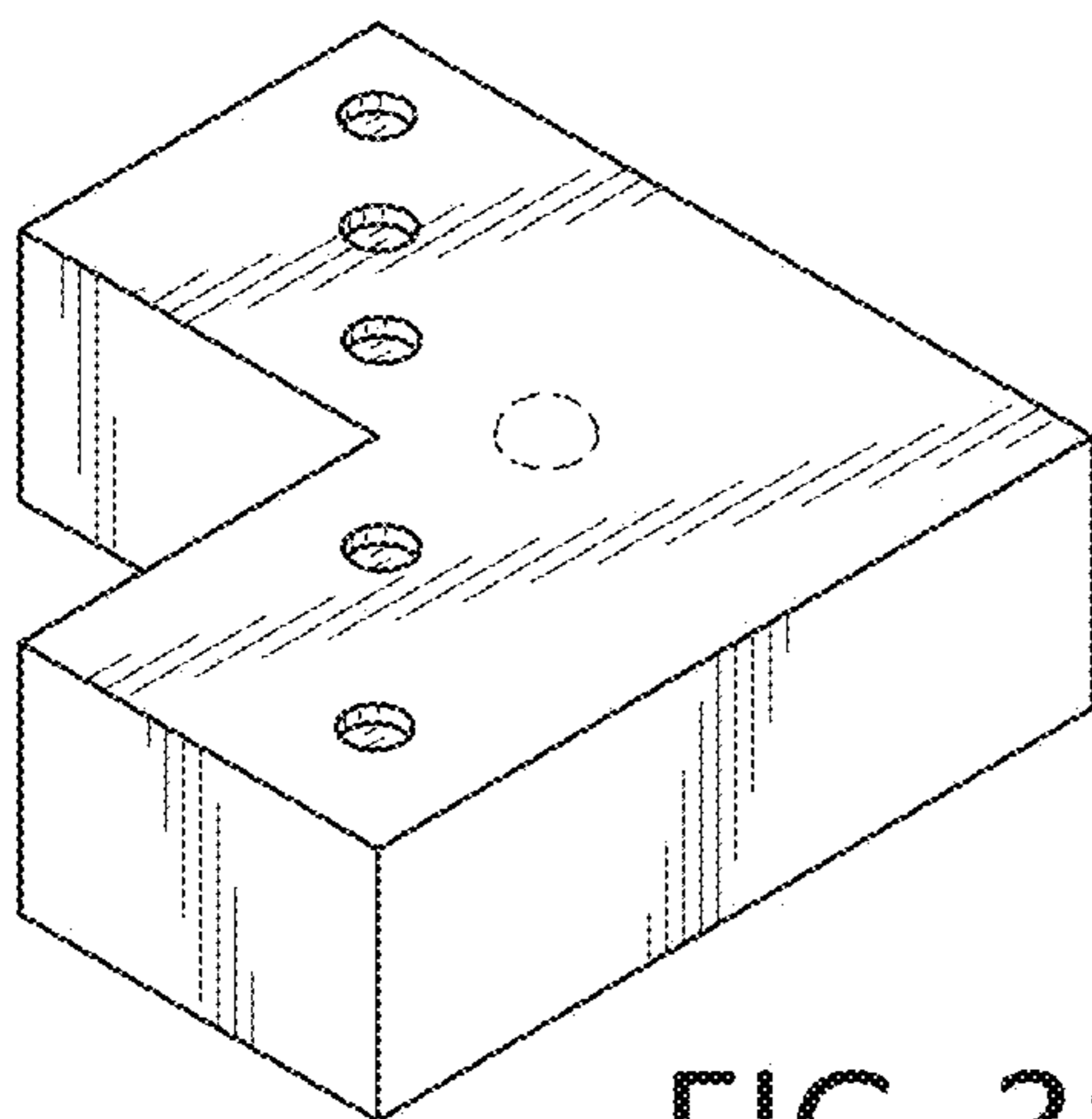


FIG. 38

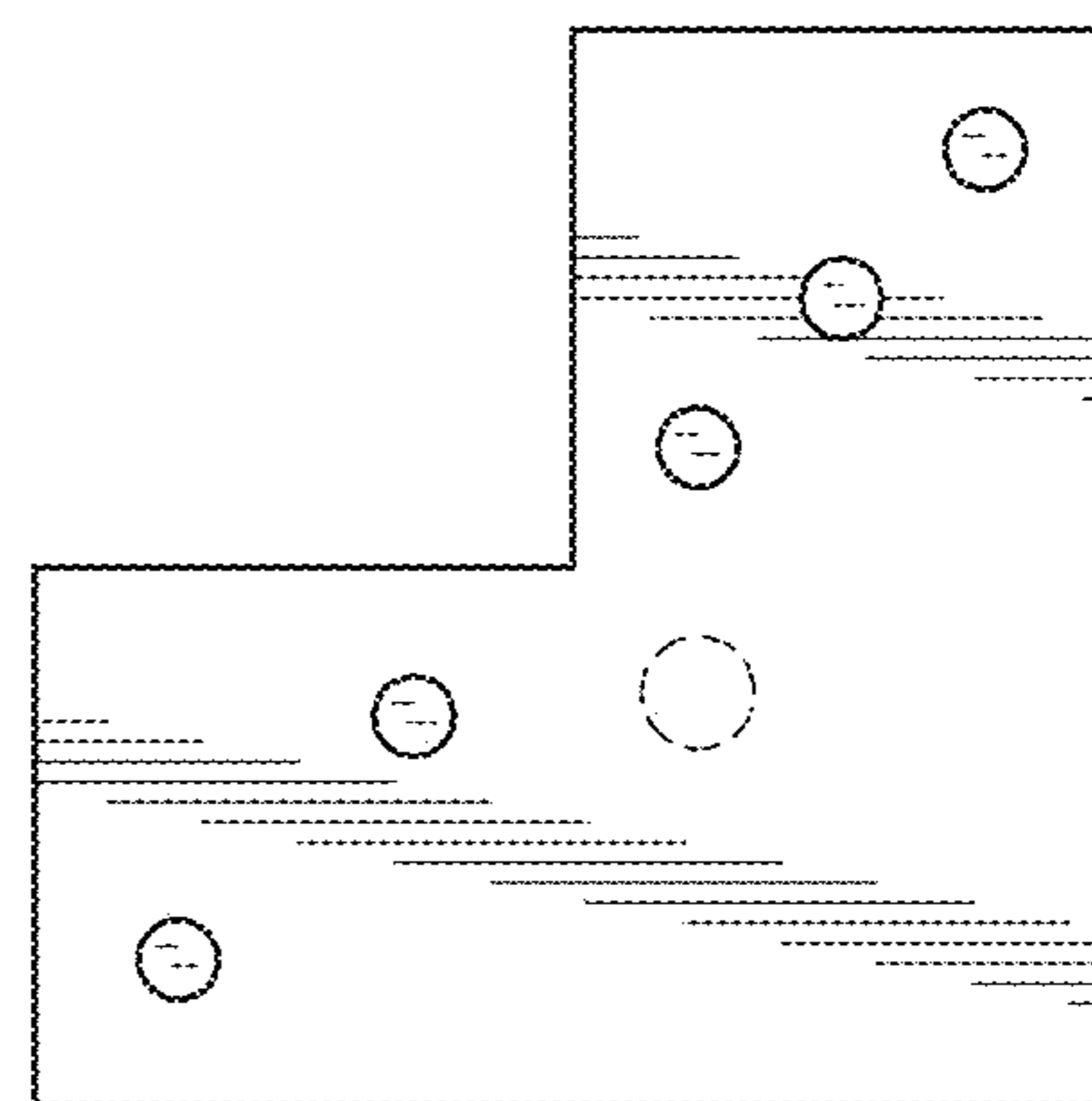


FIG. 39

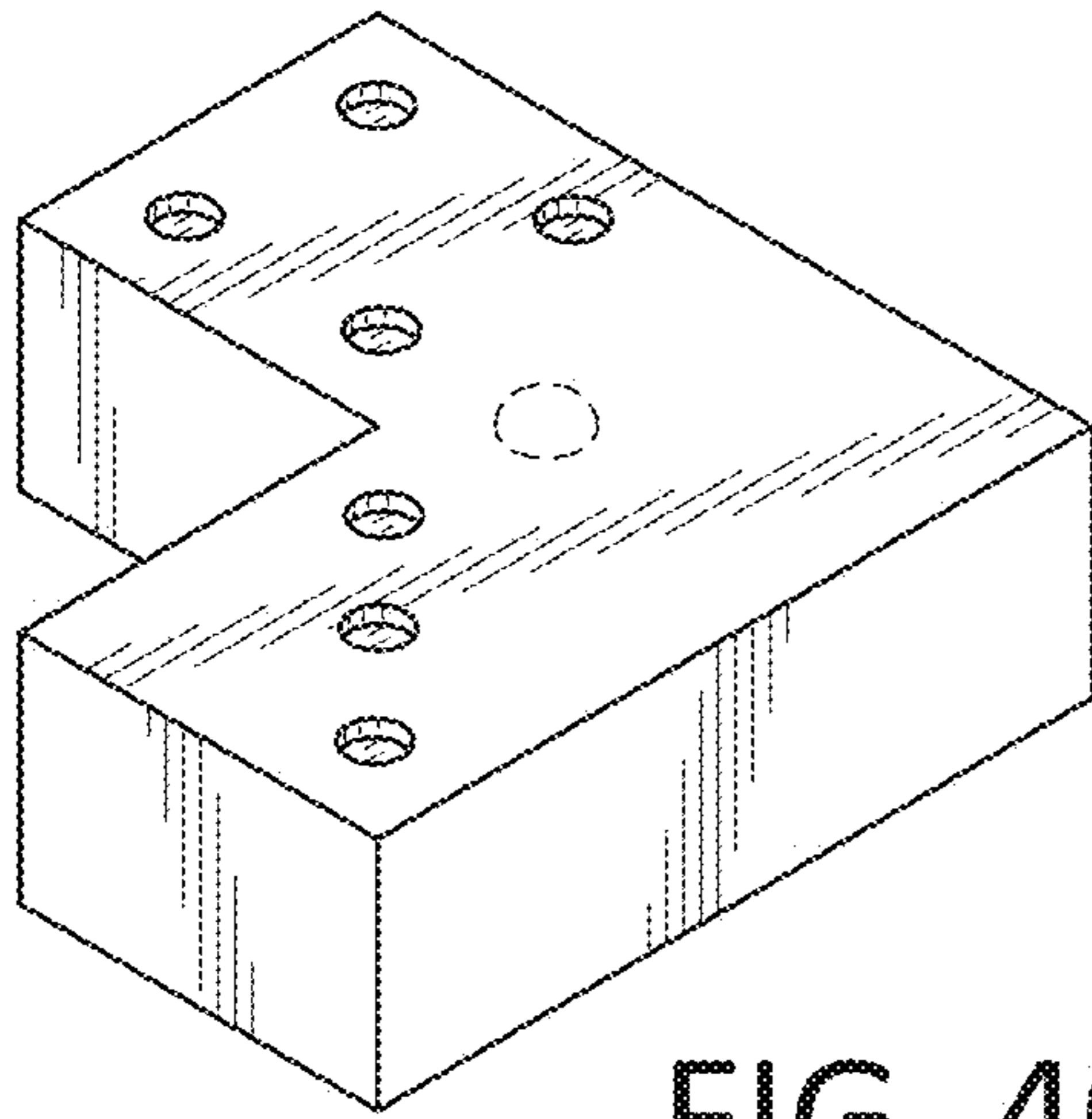


FIG. 40

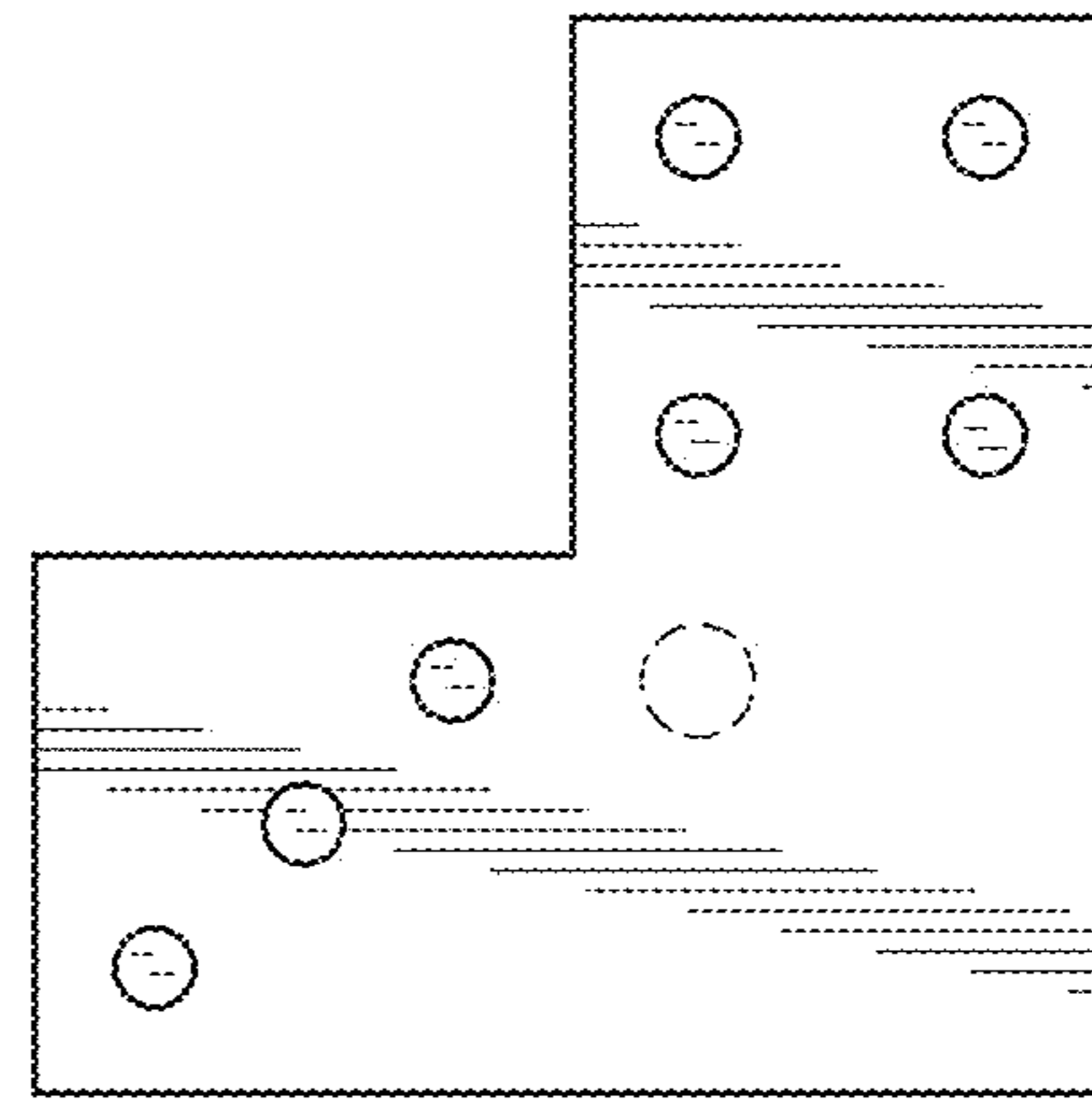


FIG. 41

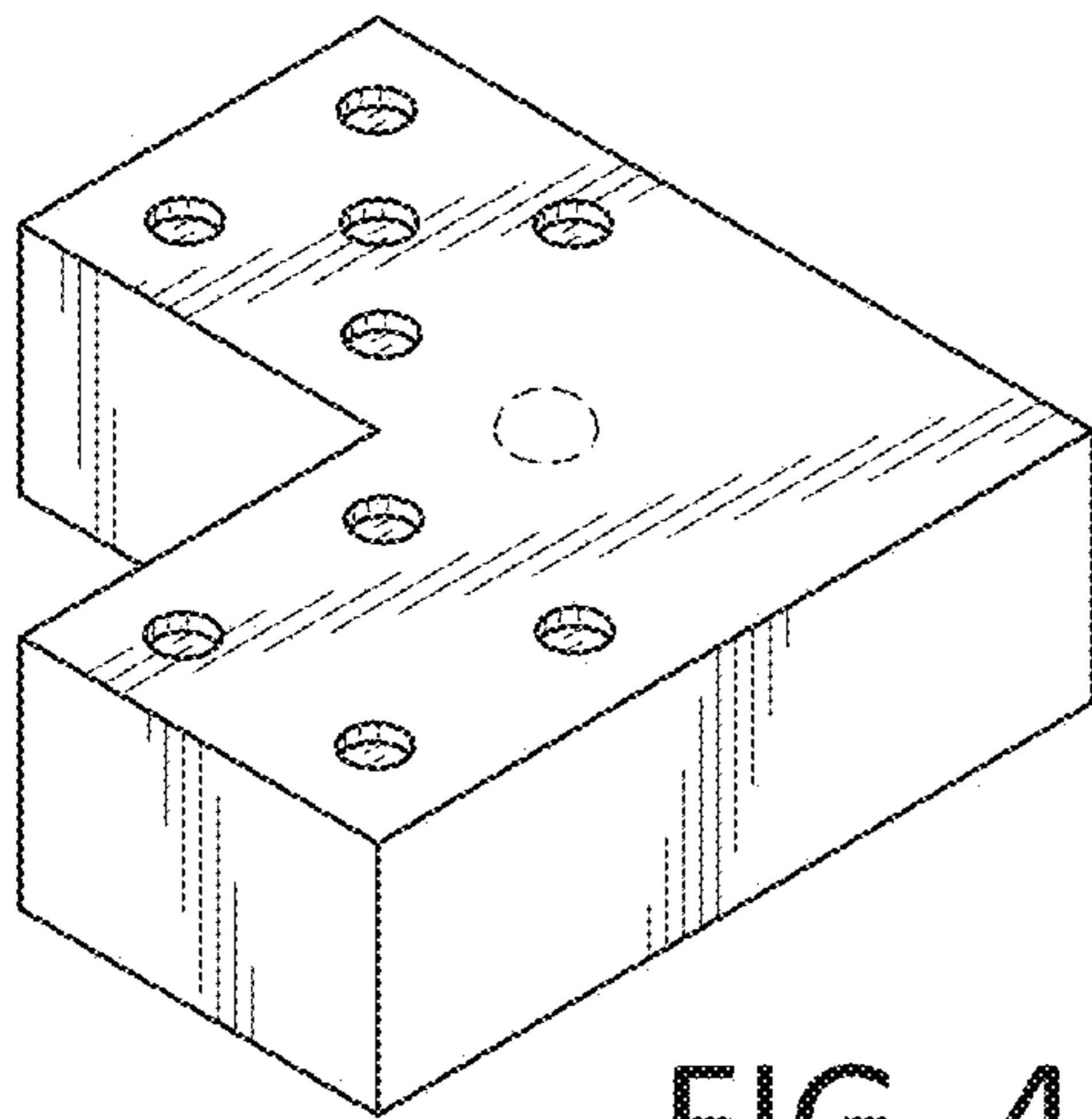


FIG. 42

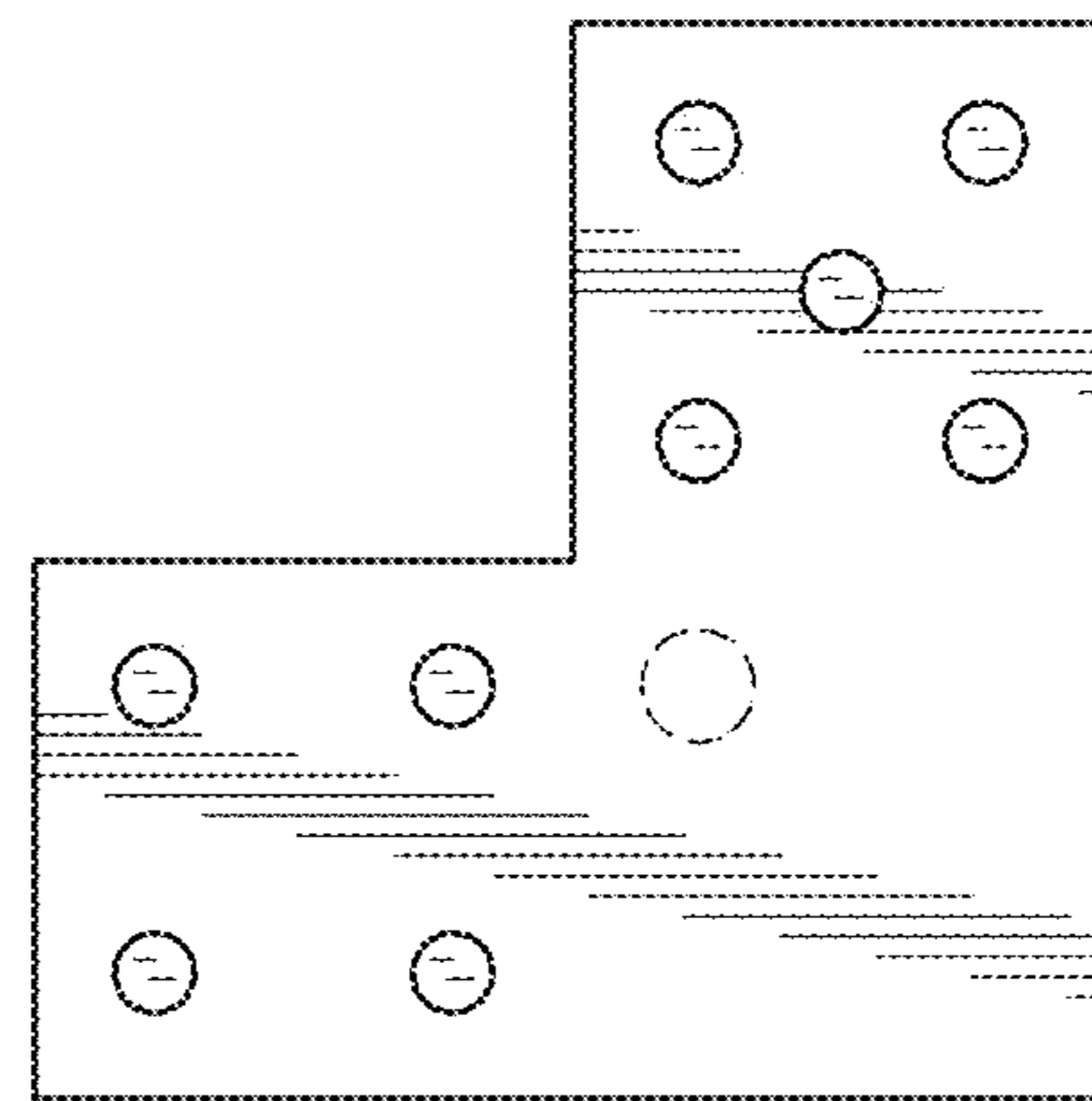


FIG. 43

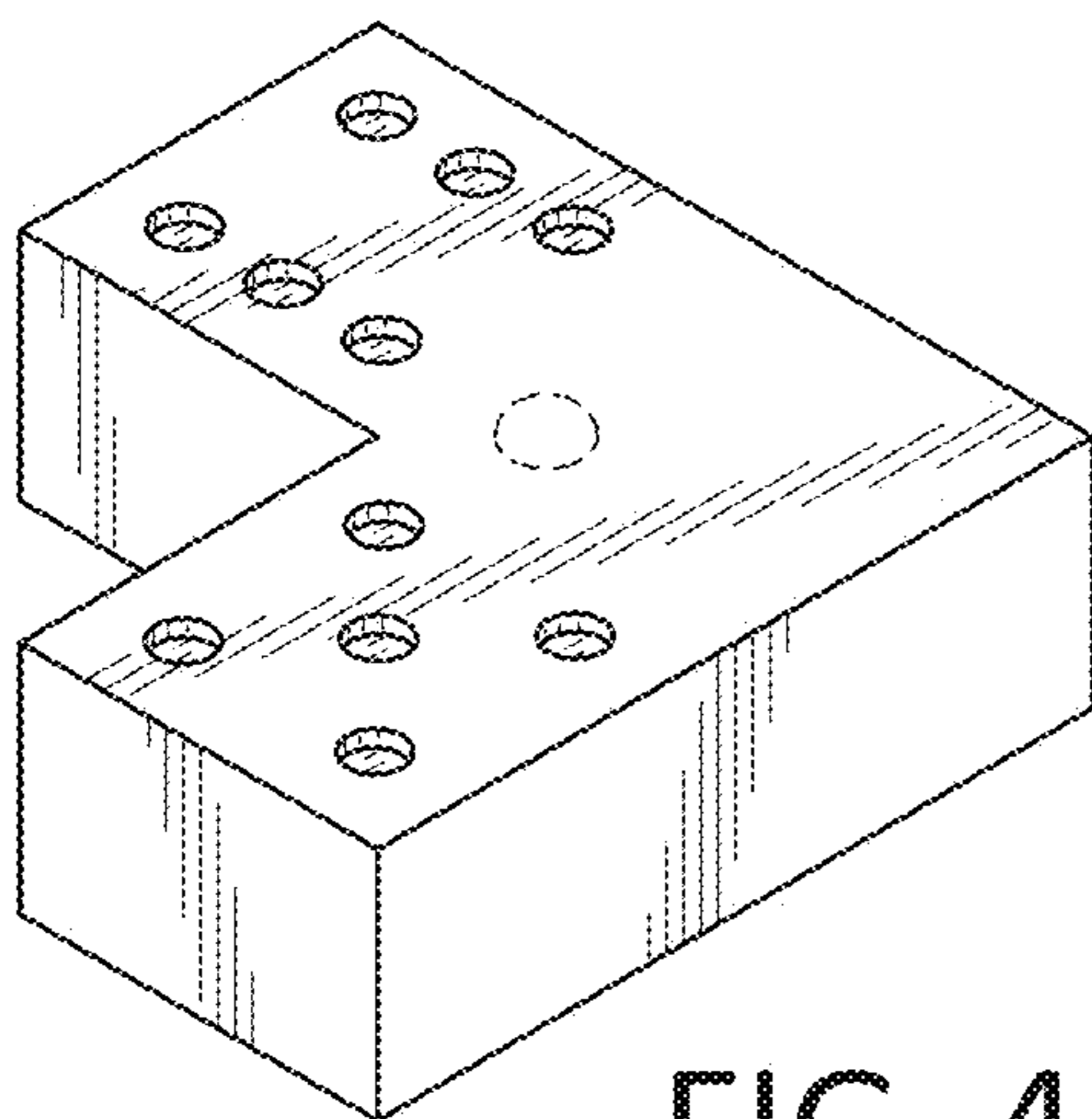


FIG. 44

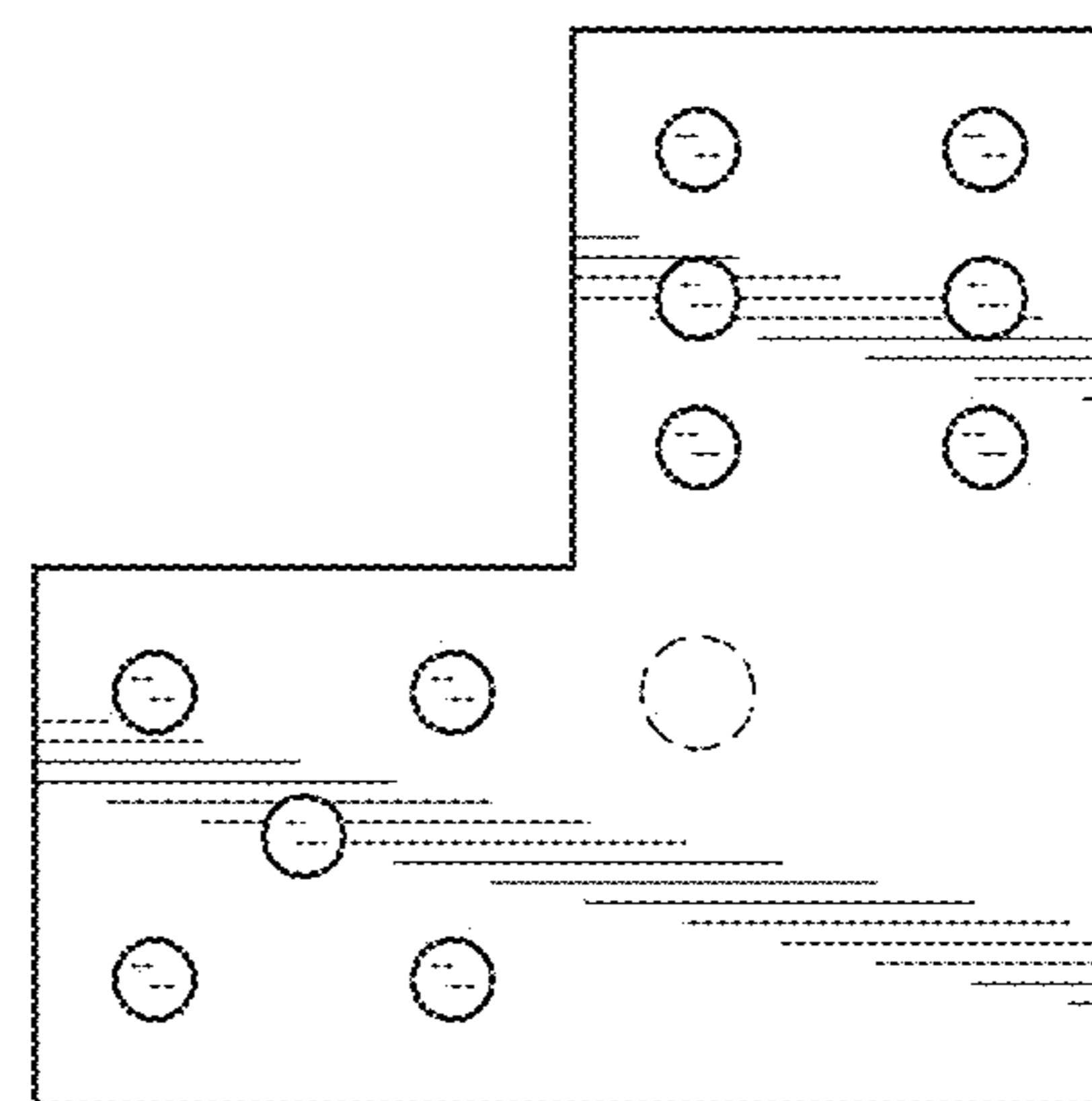


FIG. 45

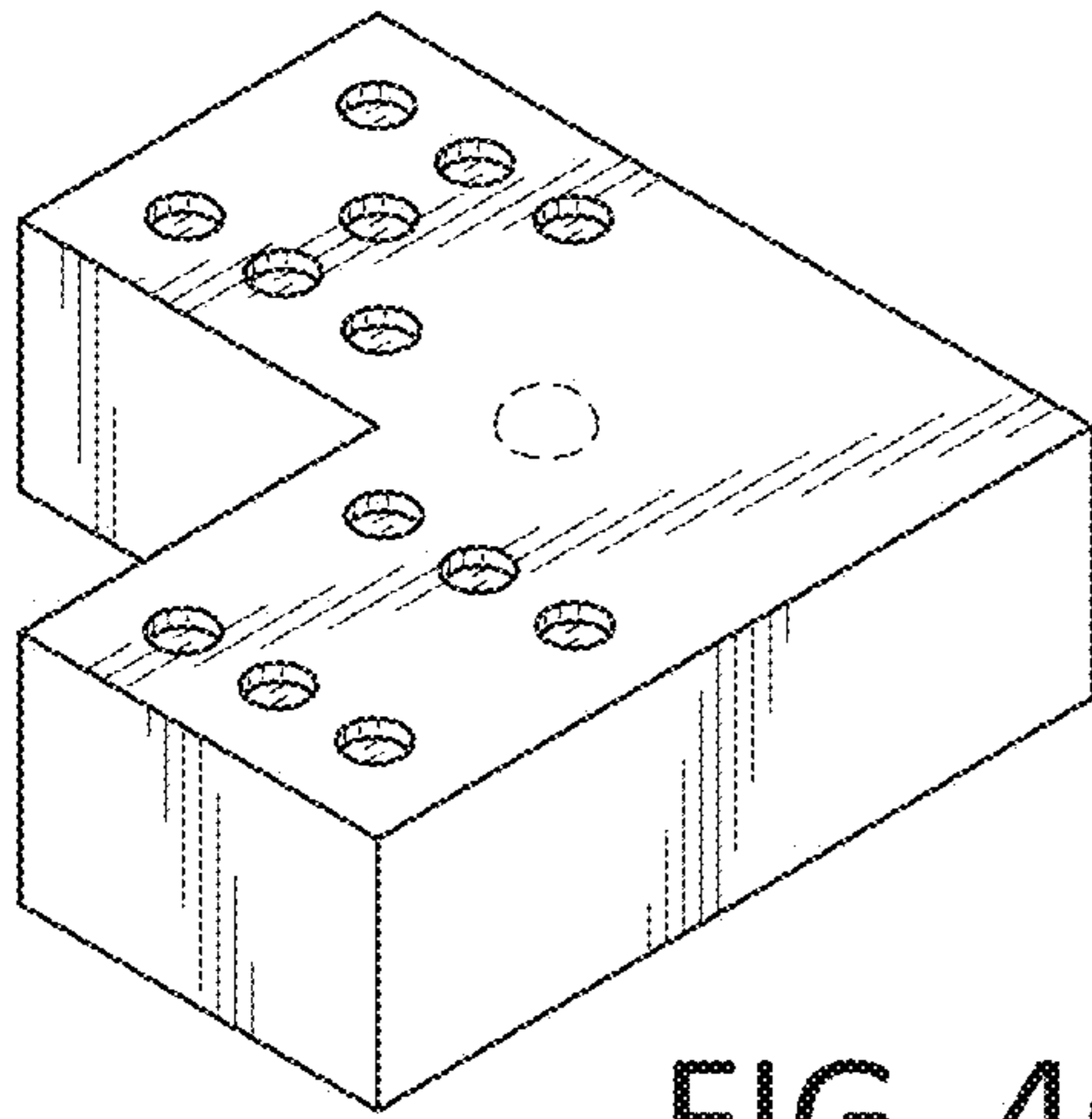


FIG. 46

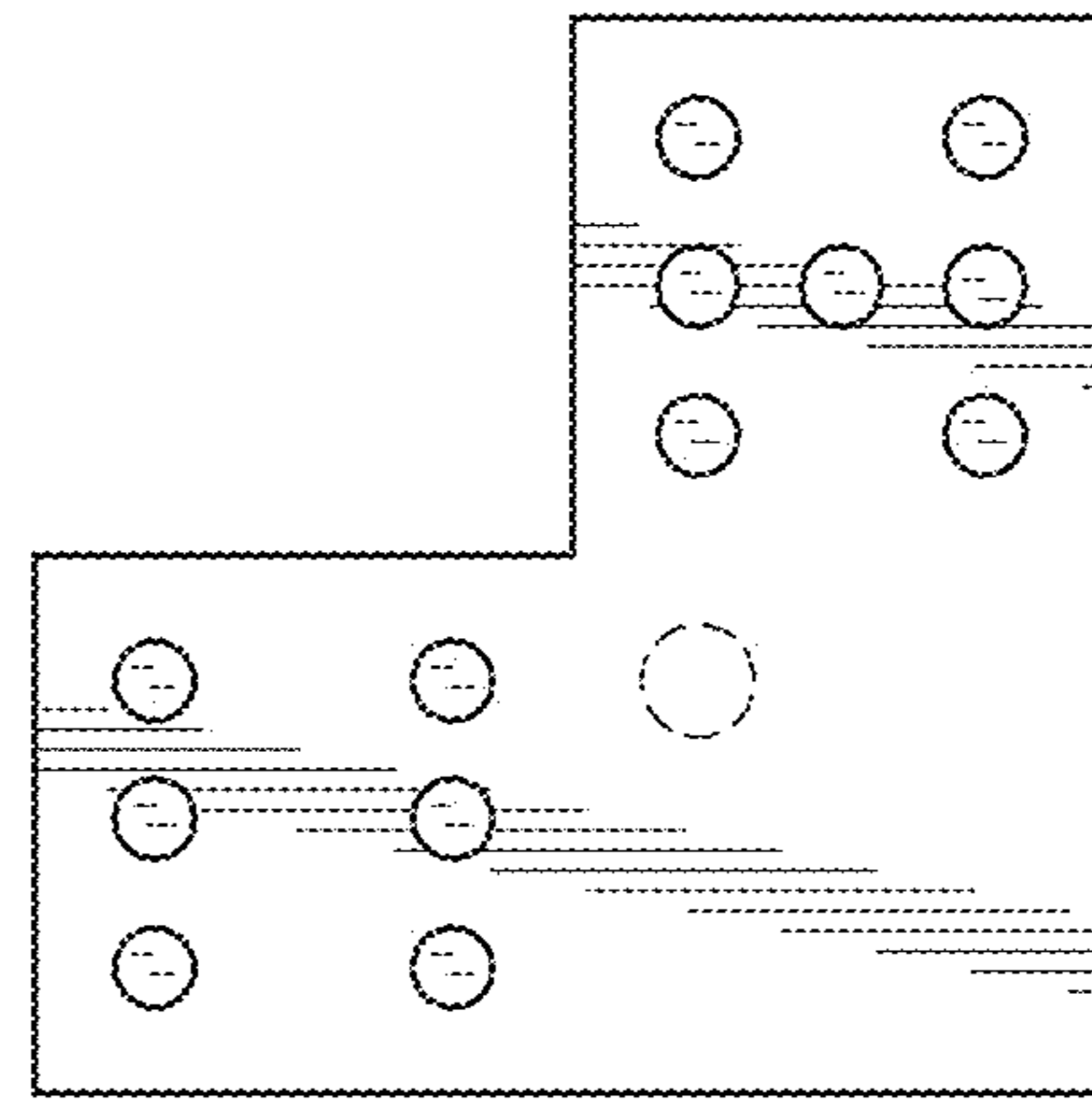


FIG. 47

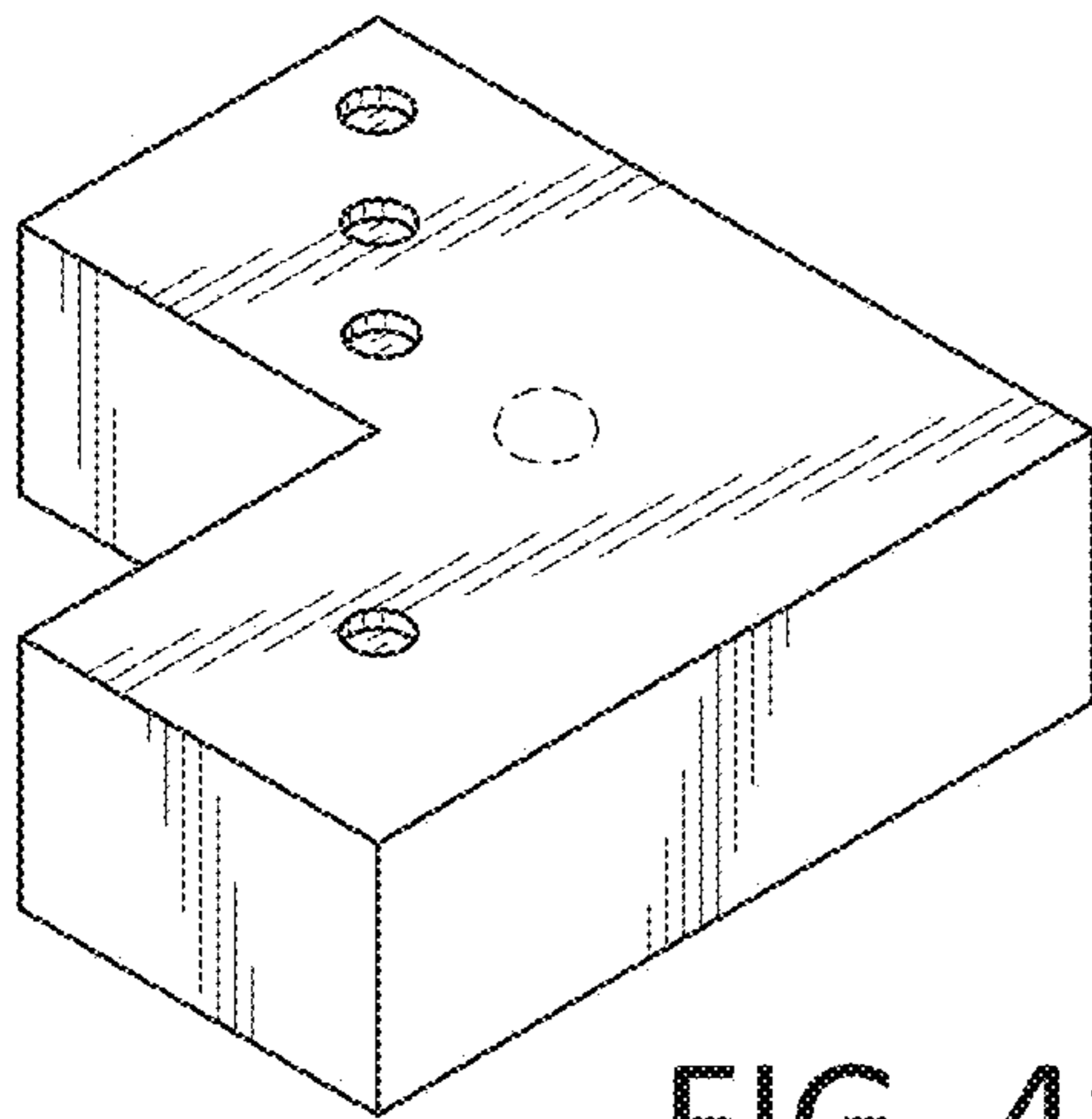


FIG. 48

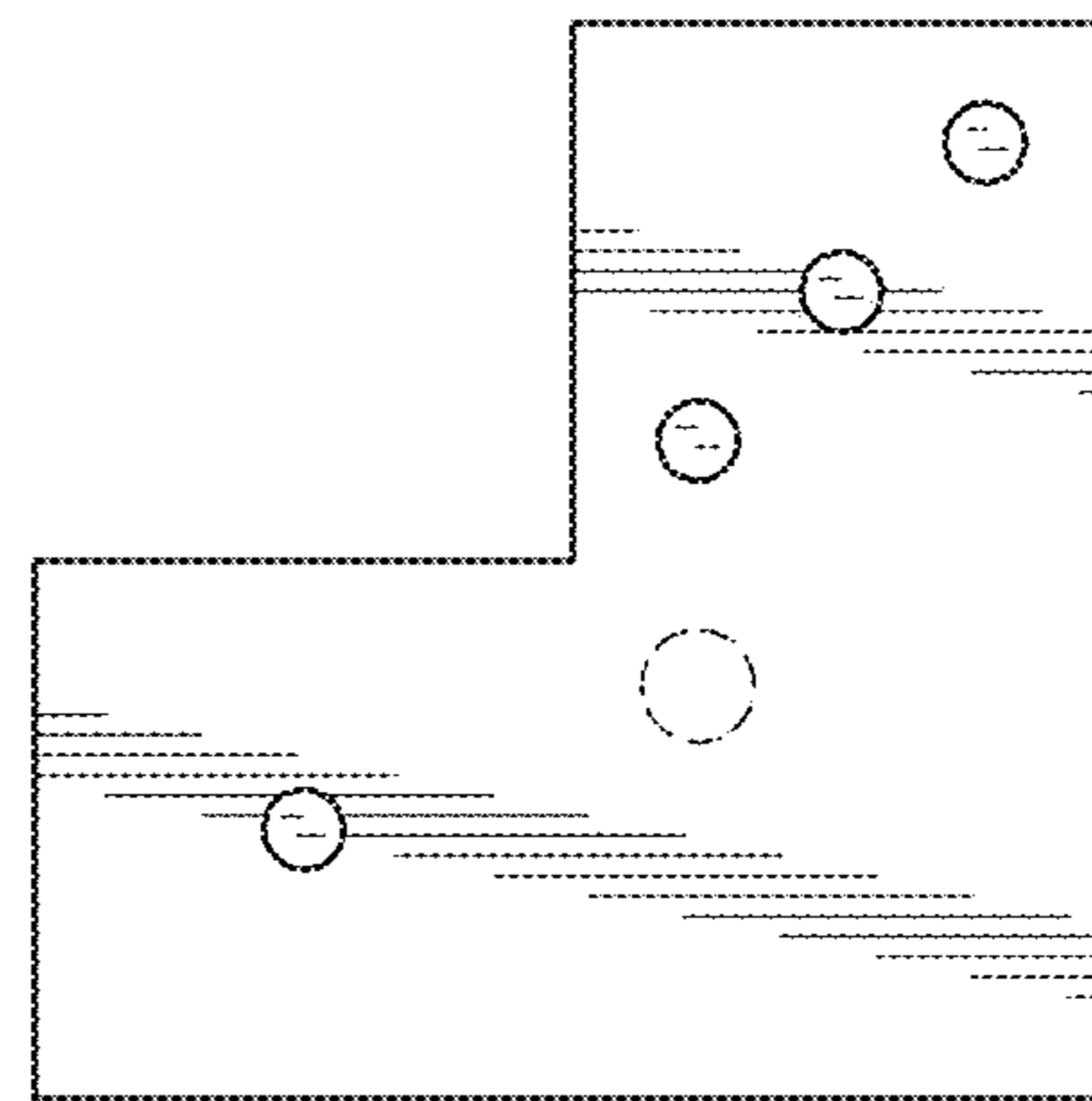


FIG. 49

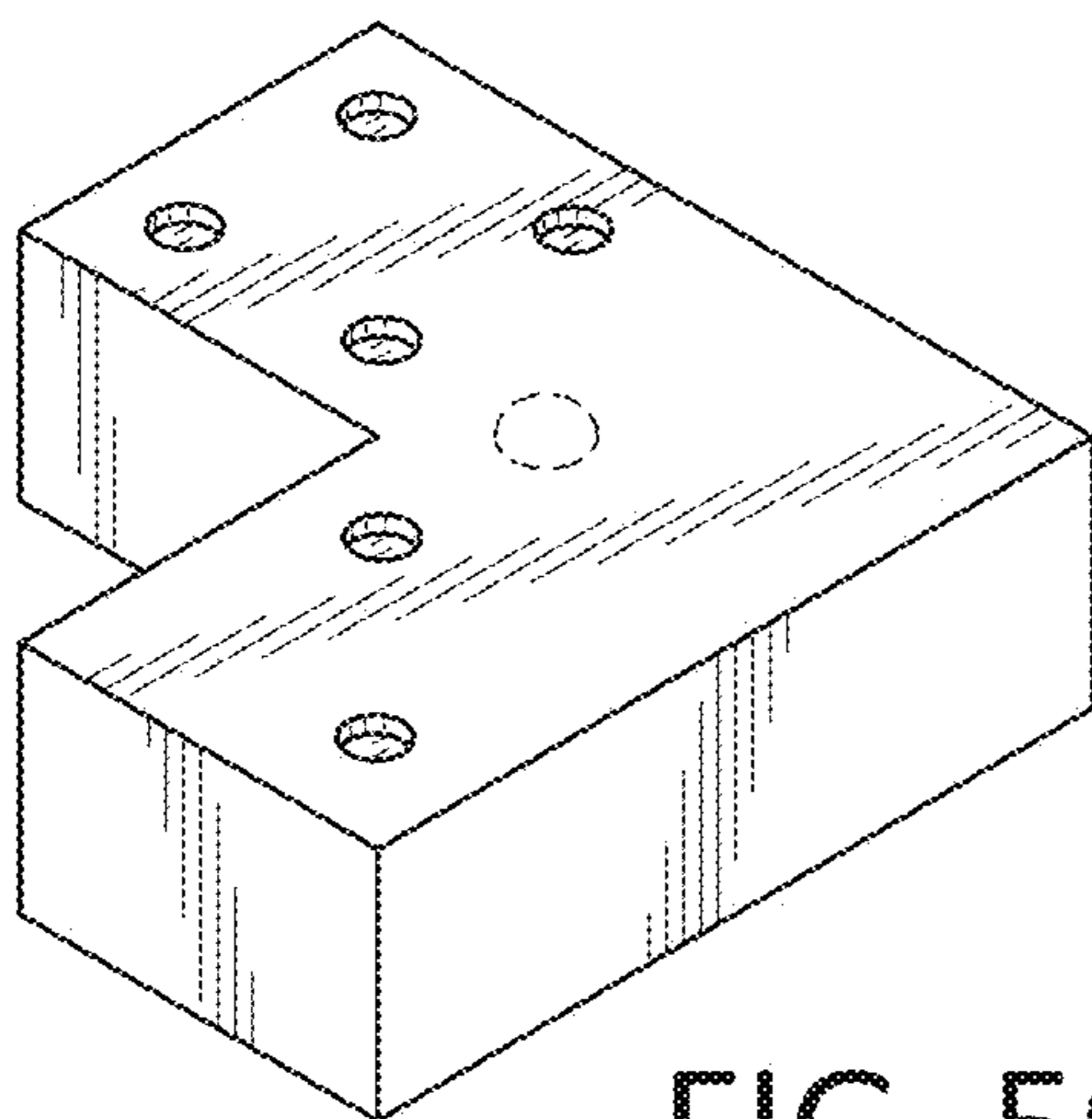


FIG. 50

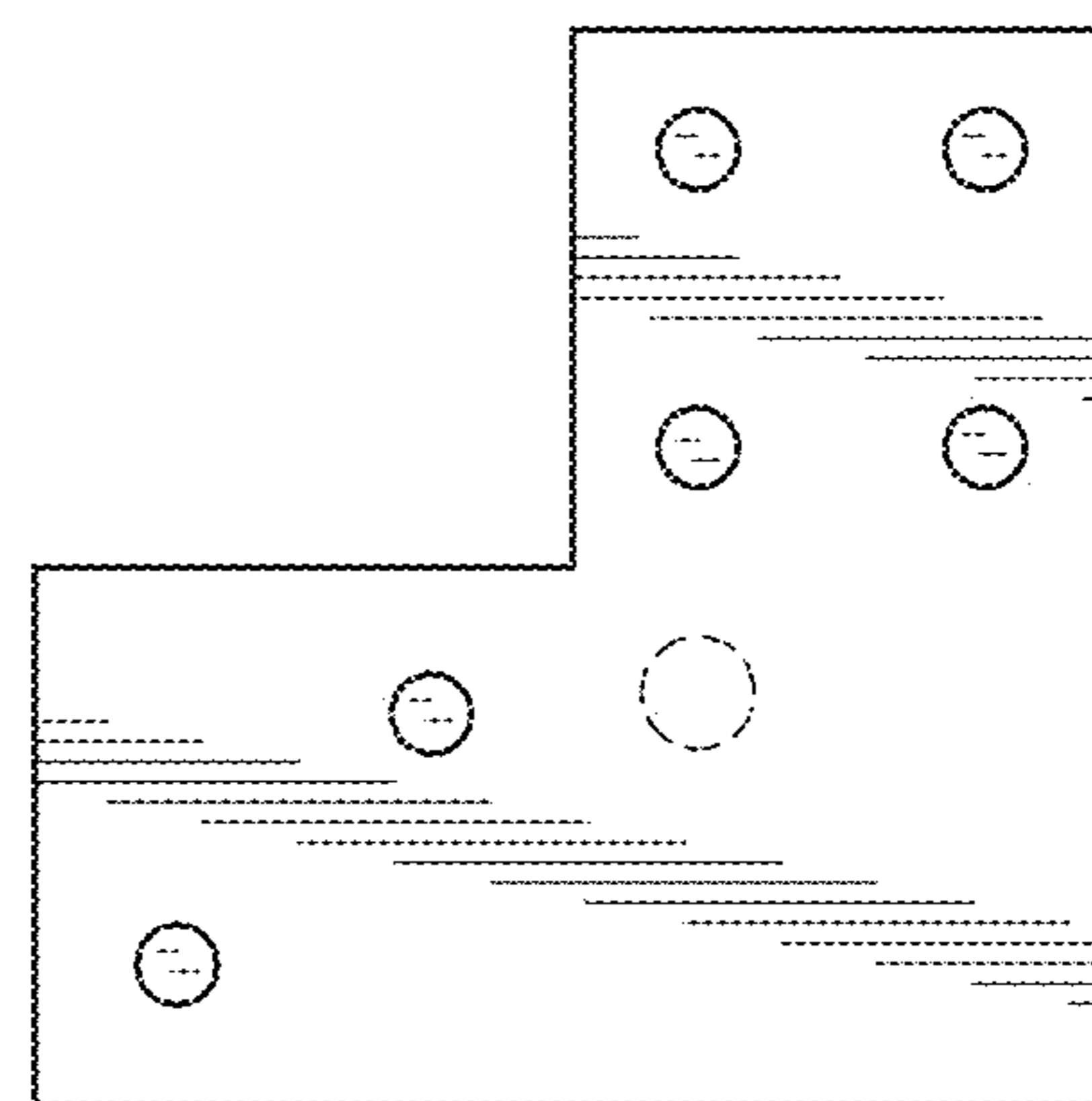


FIG. 51

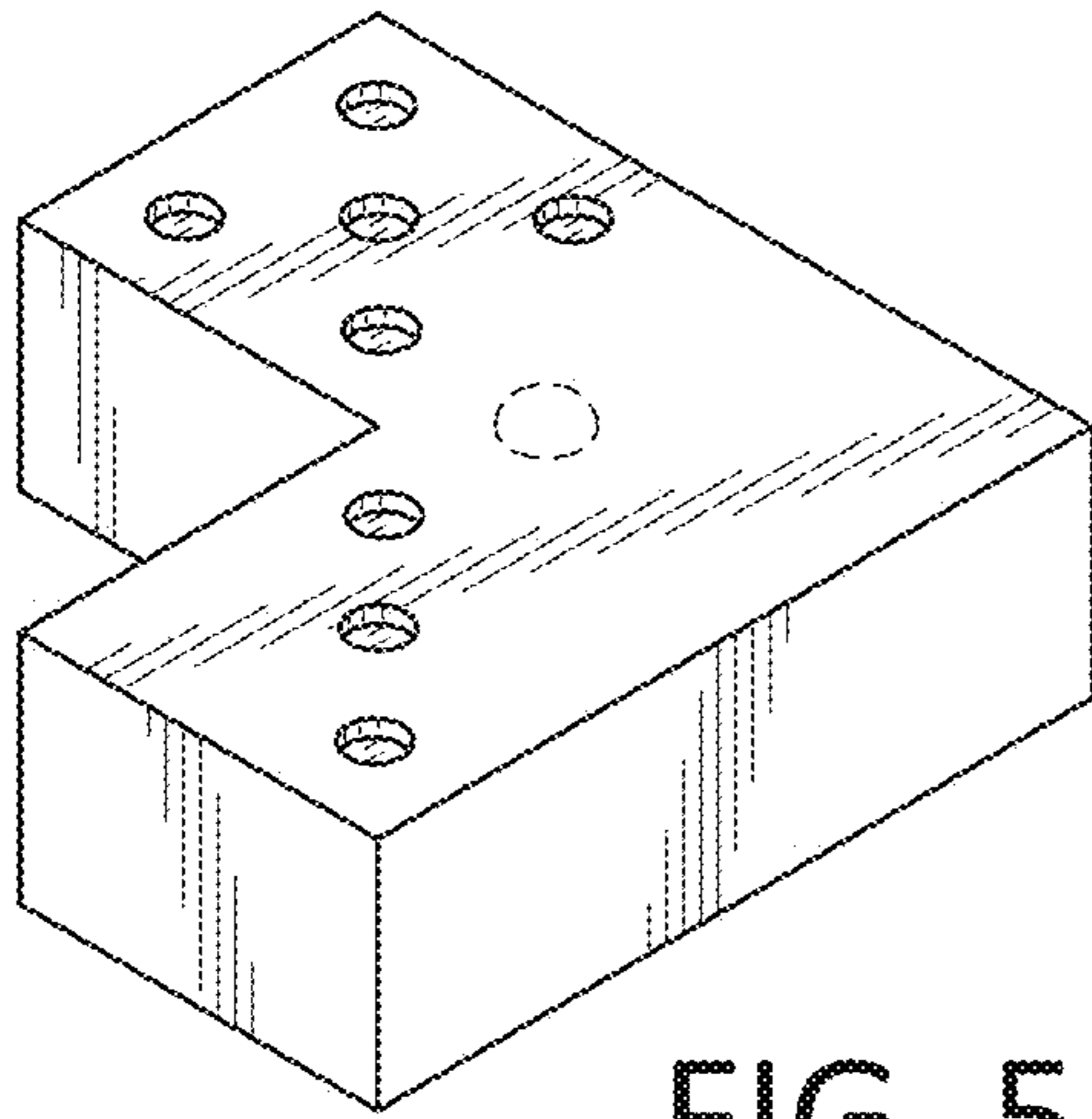


FIG. 52

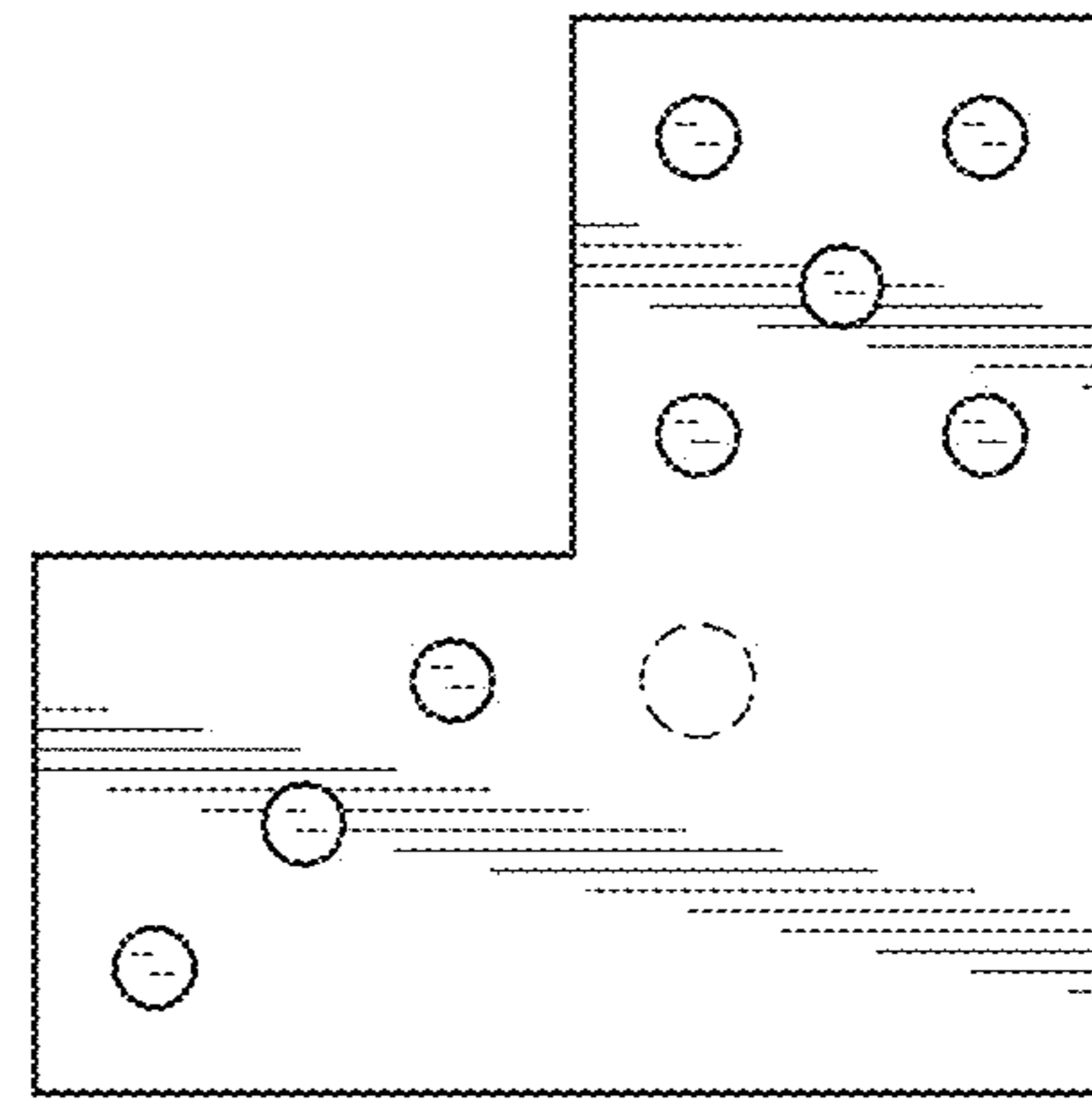


FIG. 53

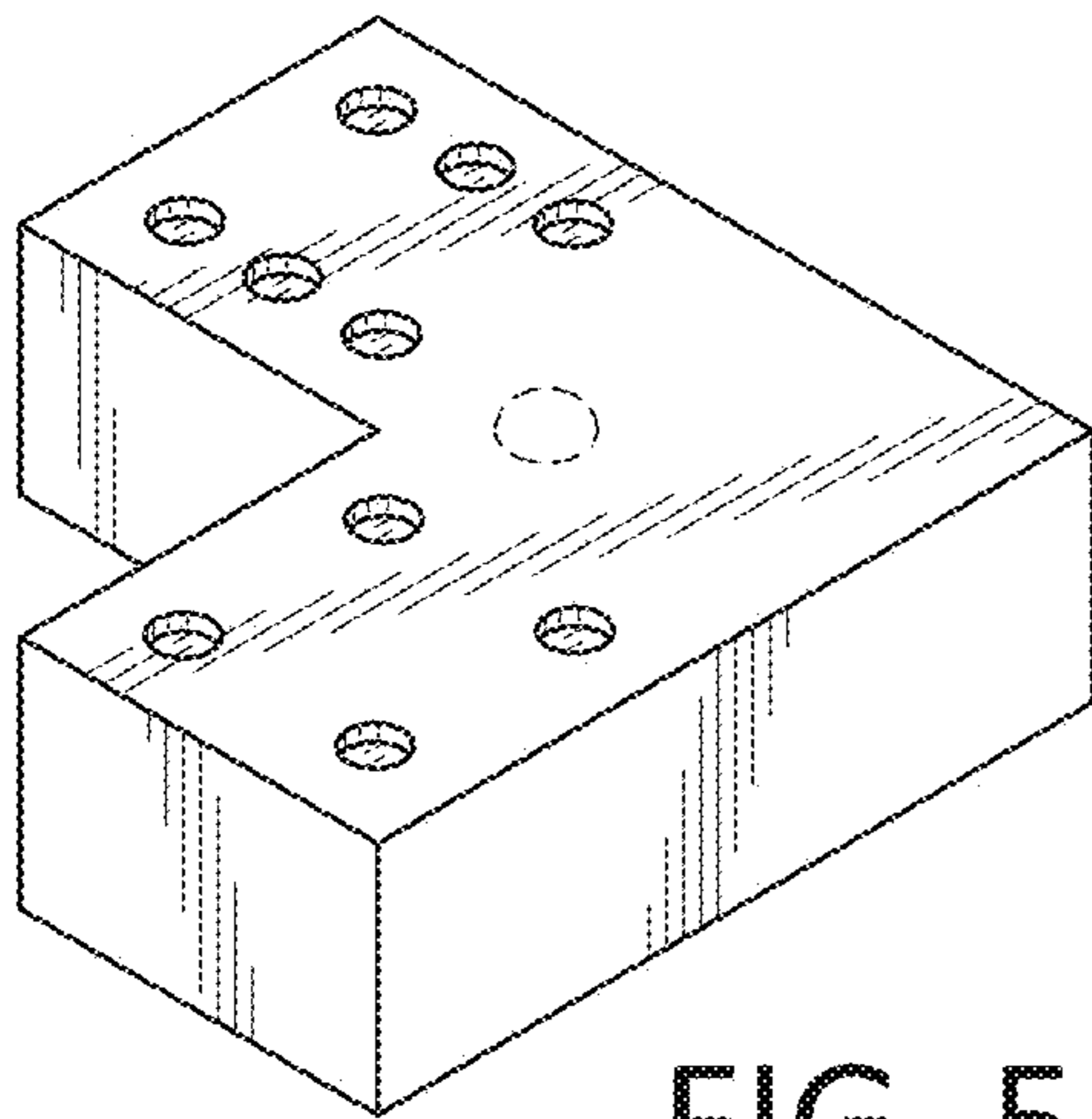


FIG. 54

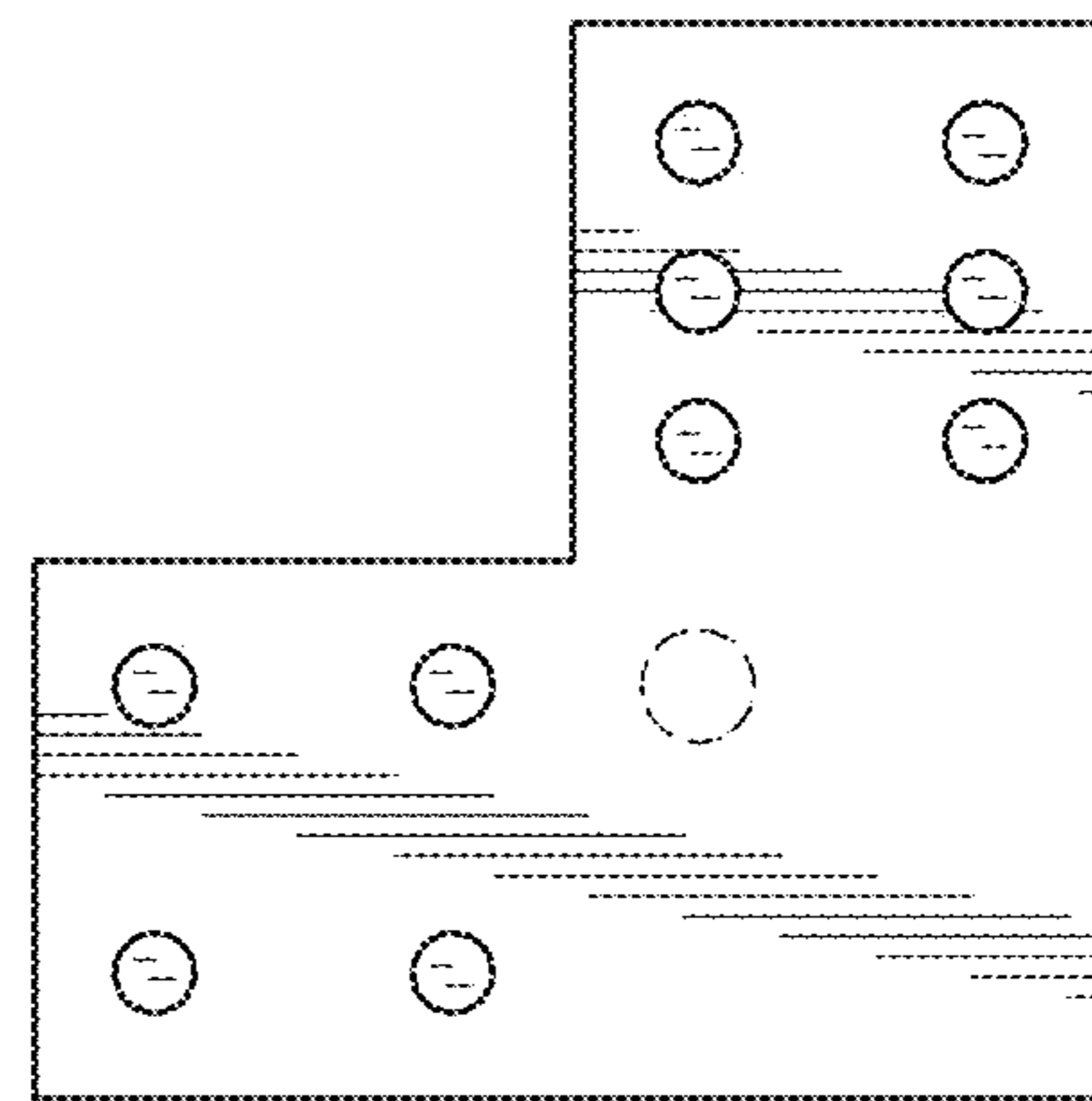


FIG. 55

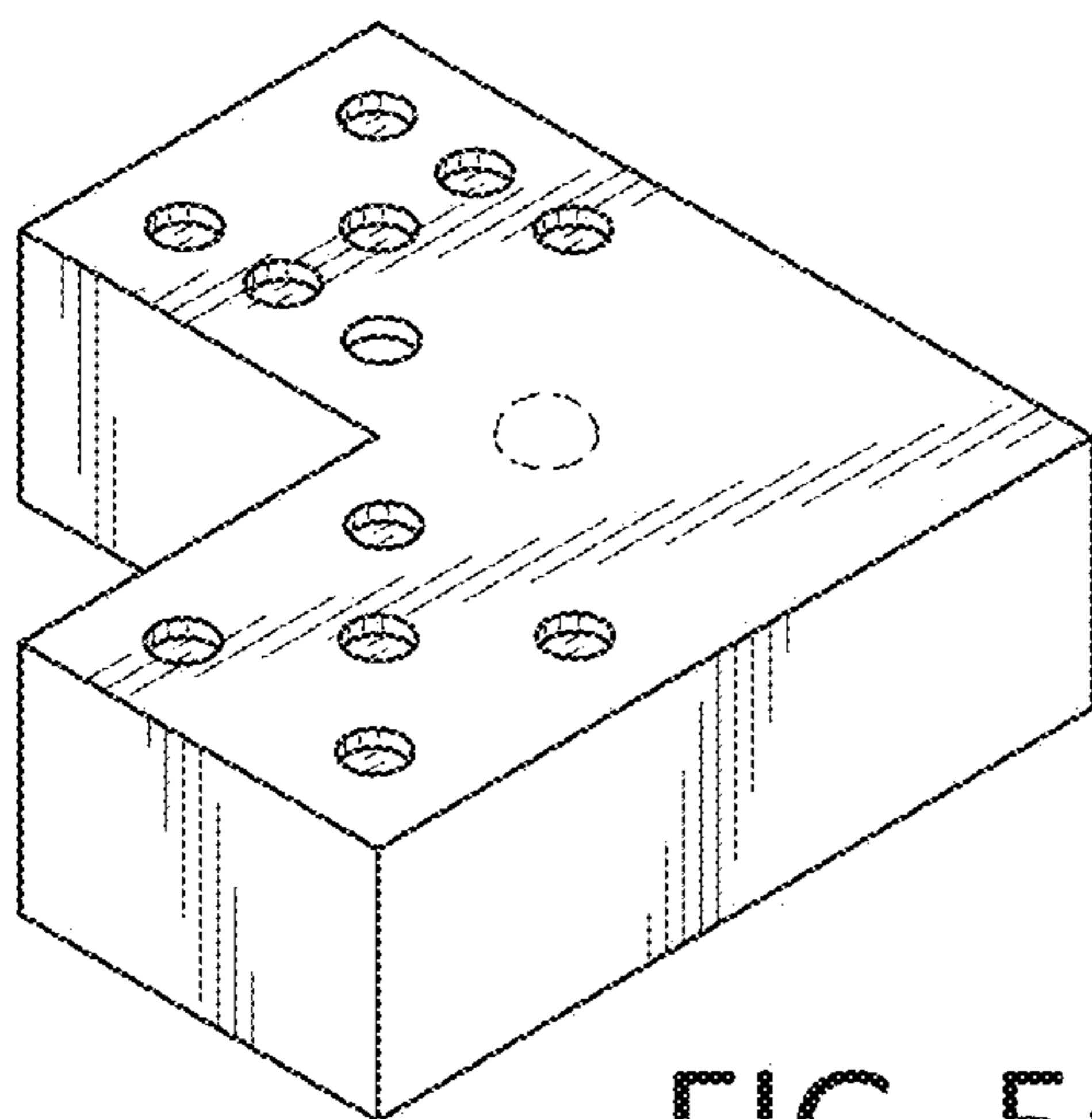


FIG. 56

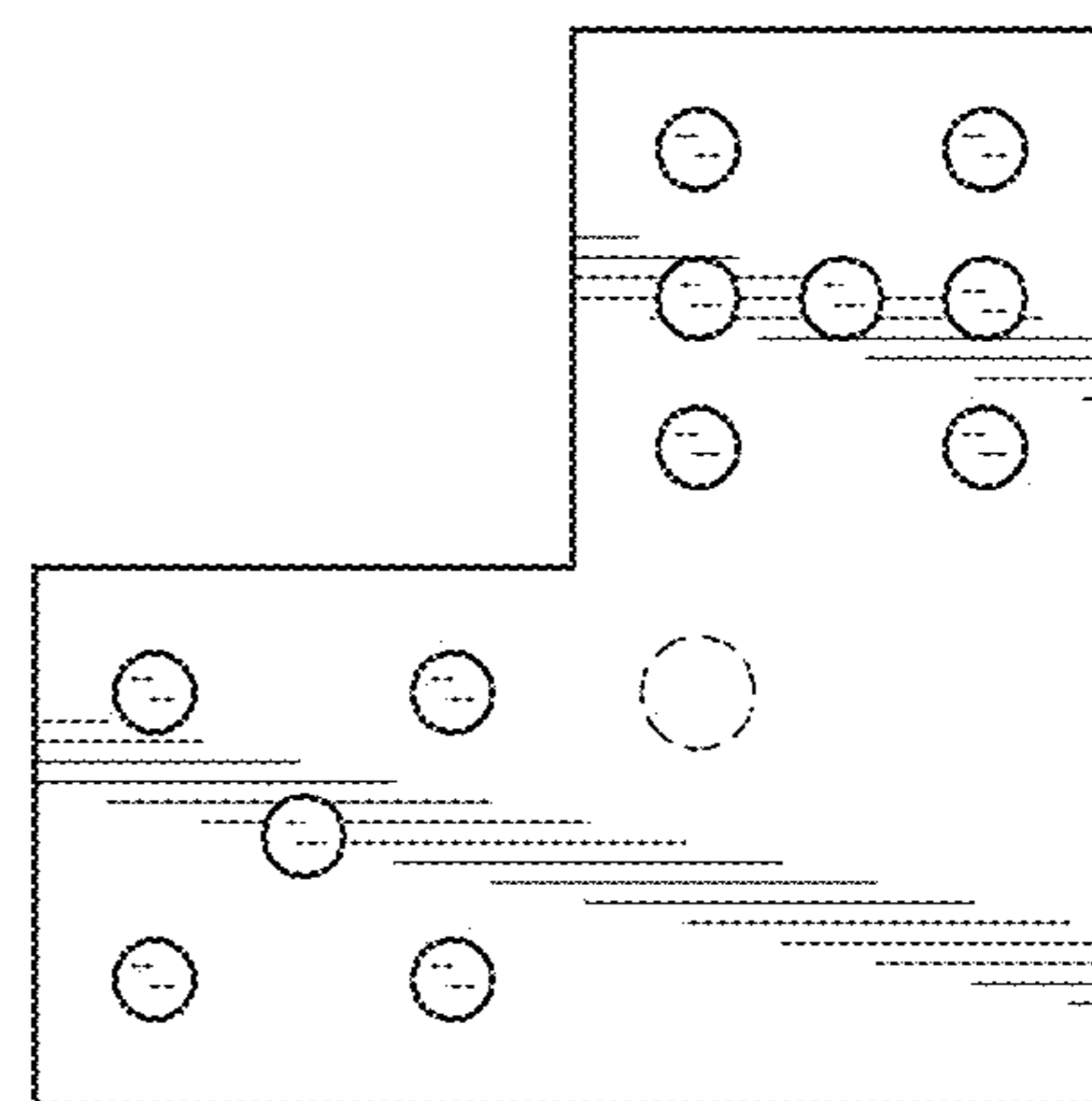


FIG. 57

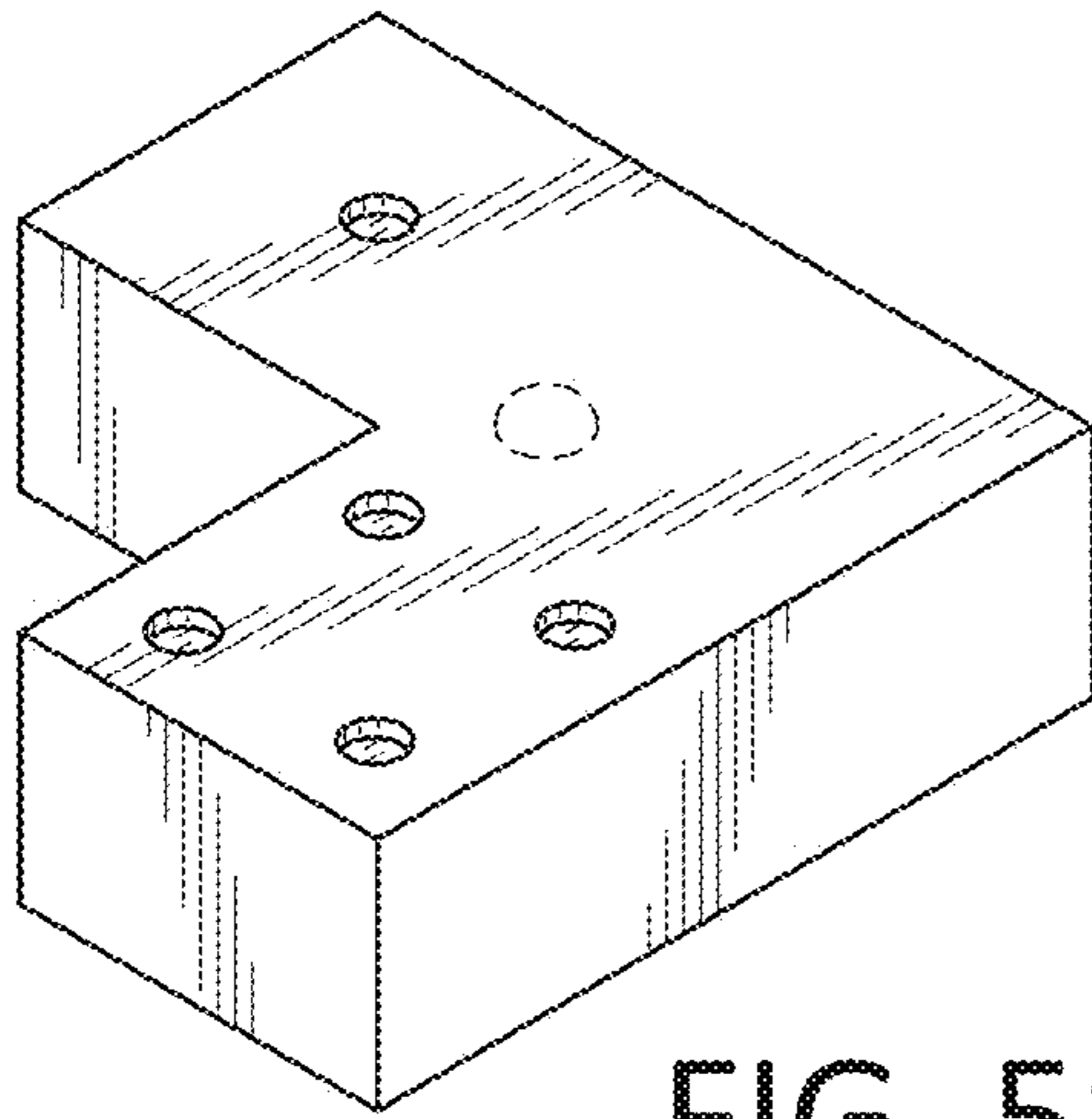


FIG. 58

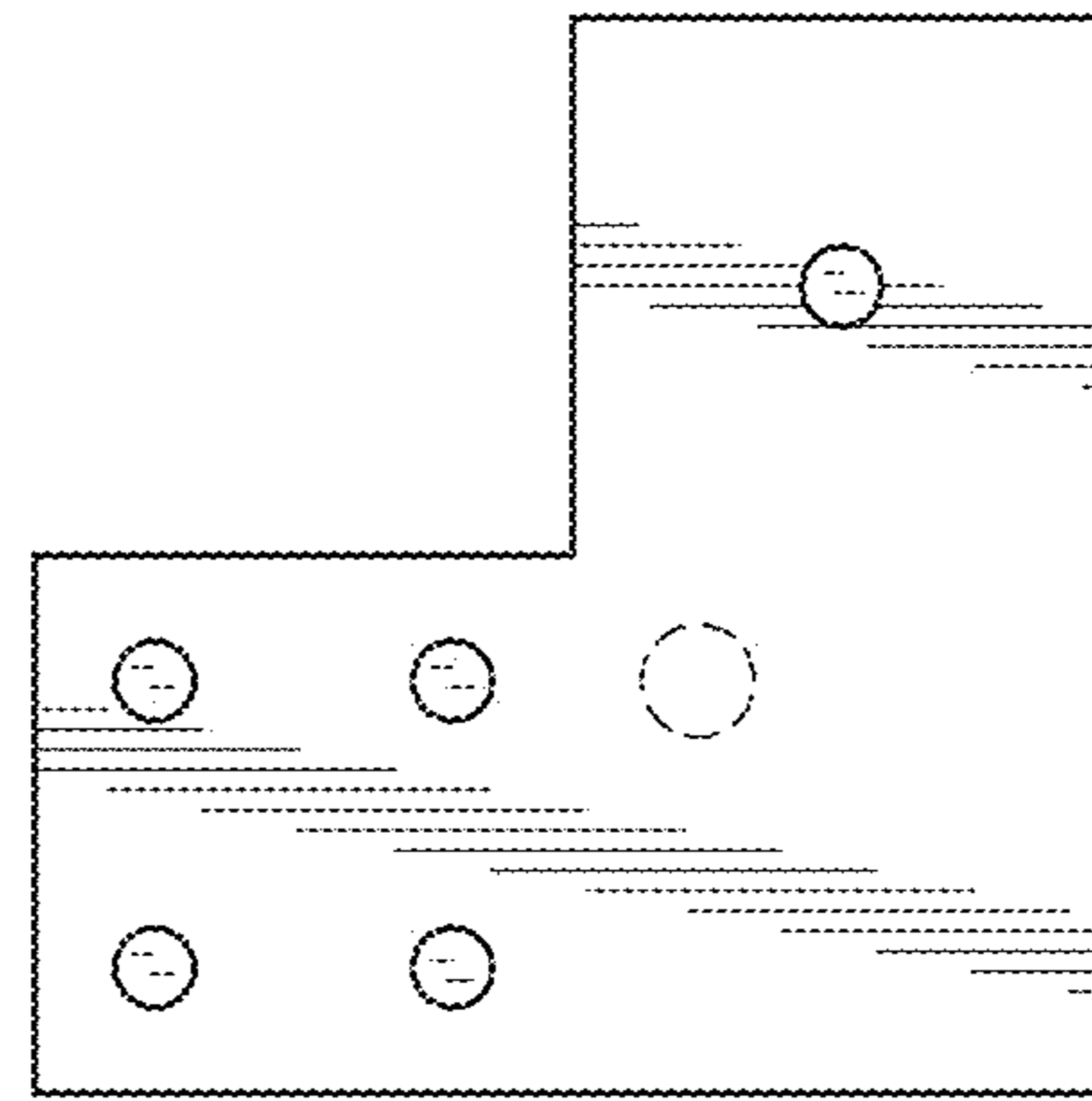


FIG. 59

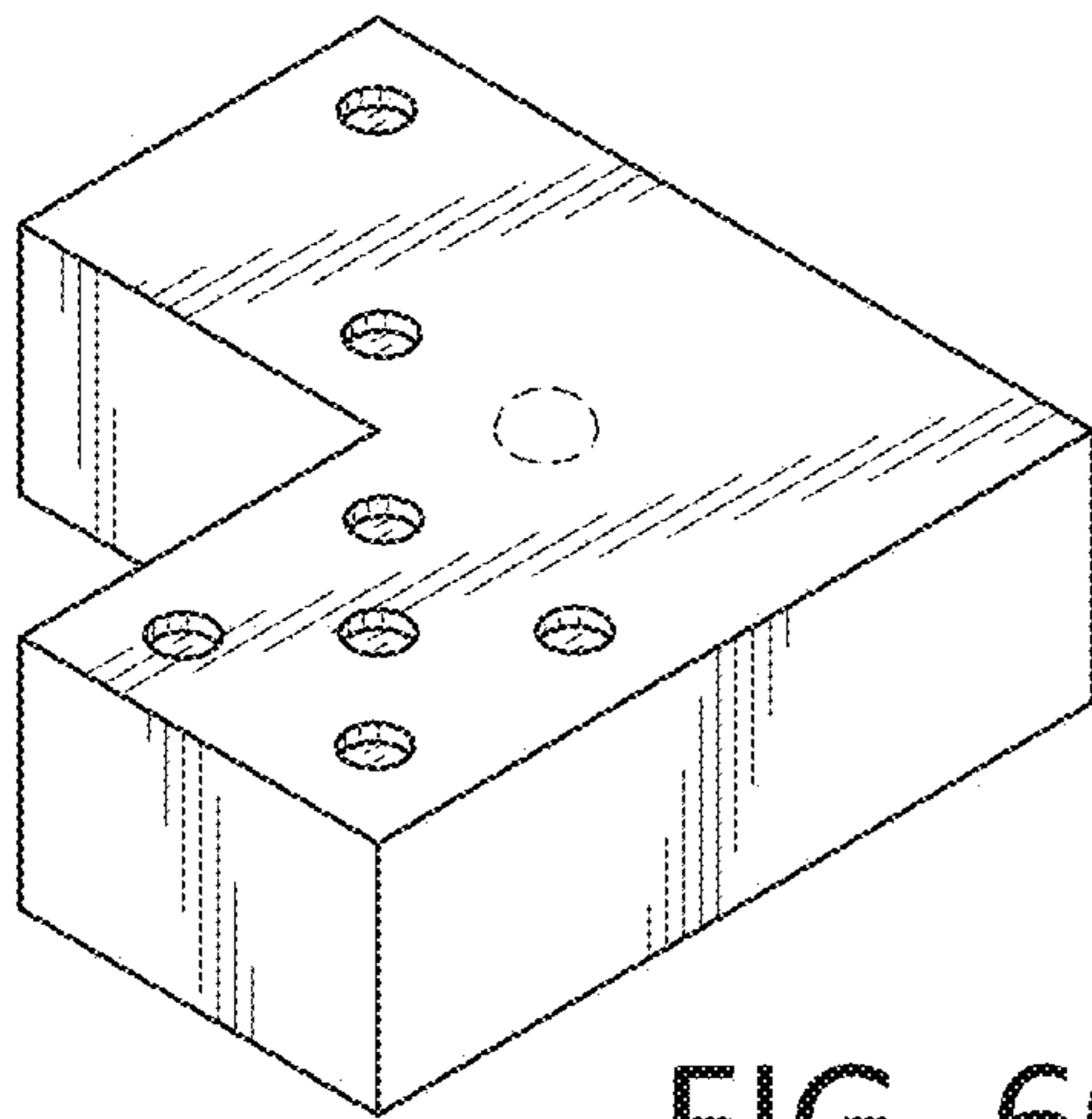


FIG. 60

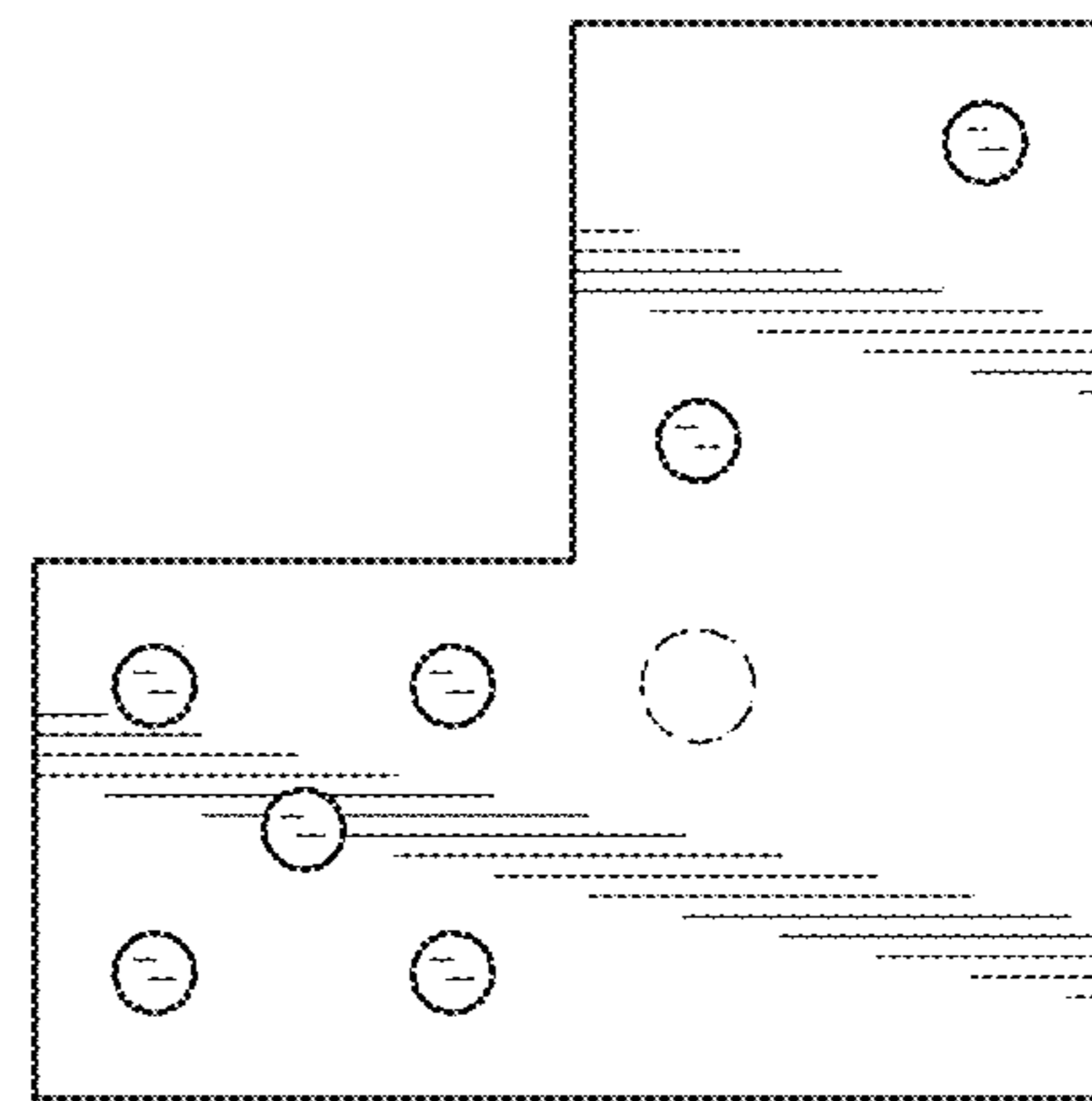


FIG. 61

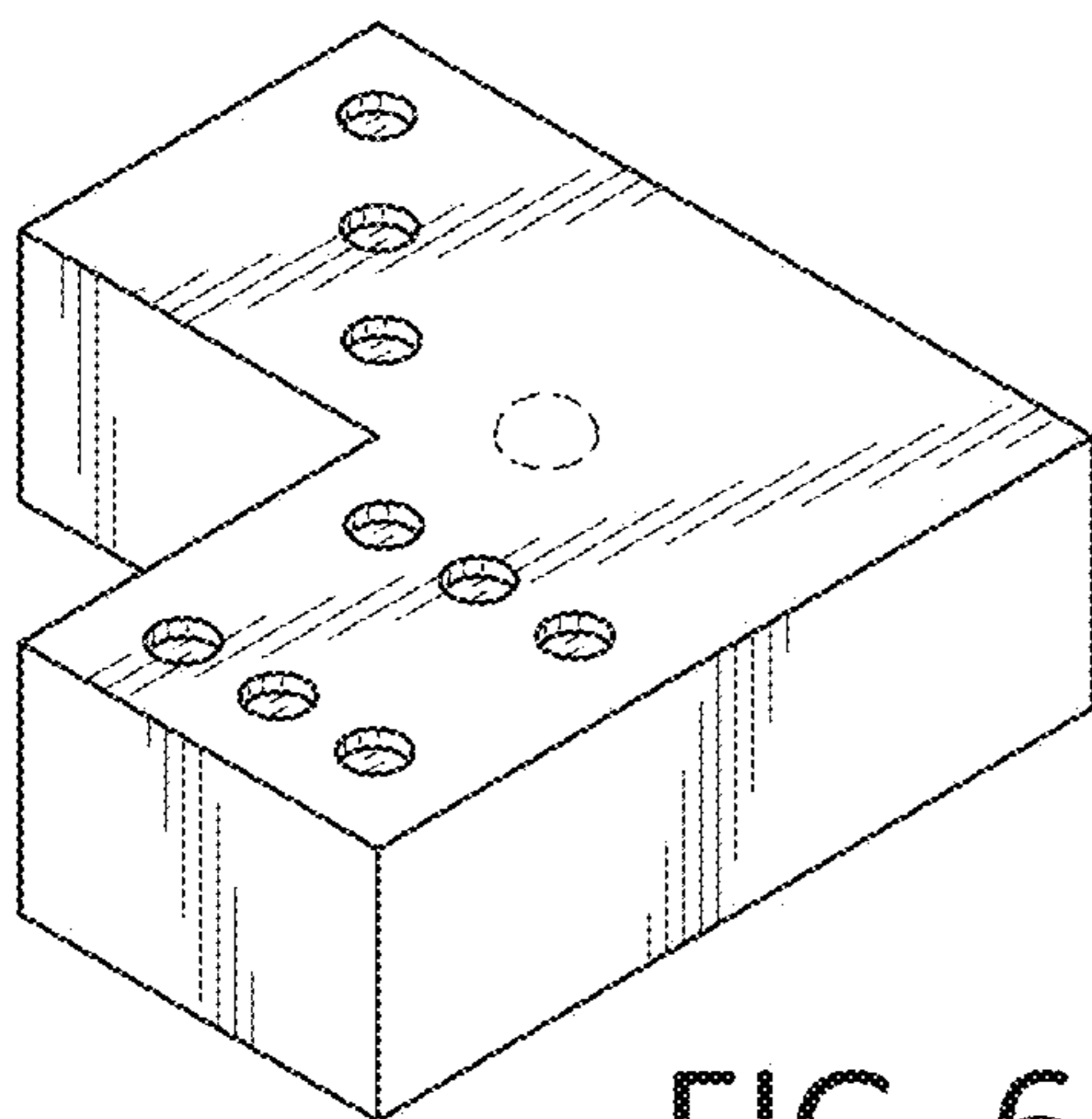


FIG. 62

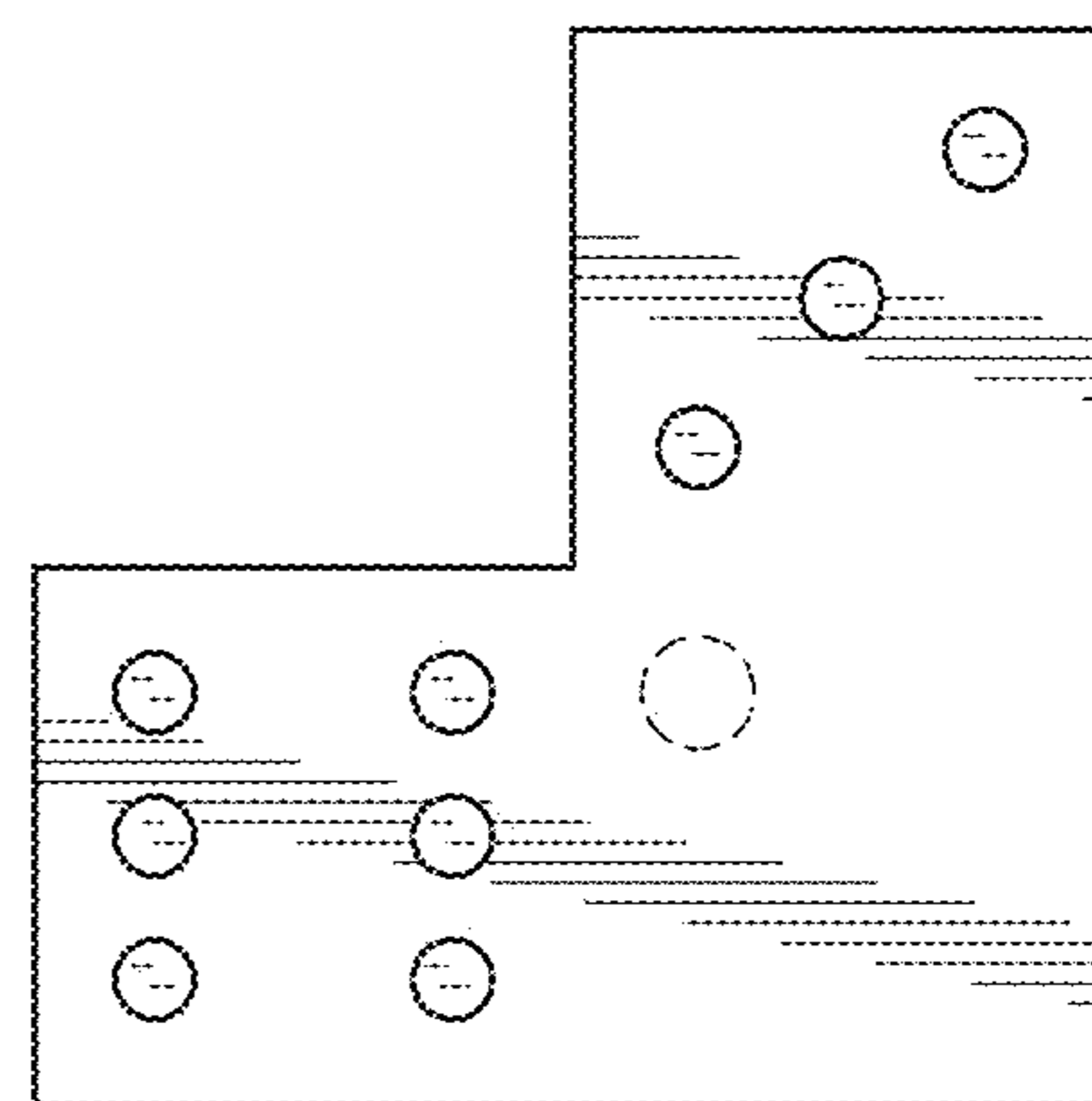


FIG. 63

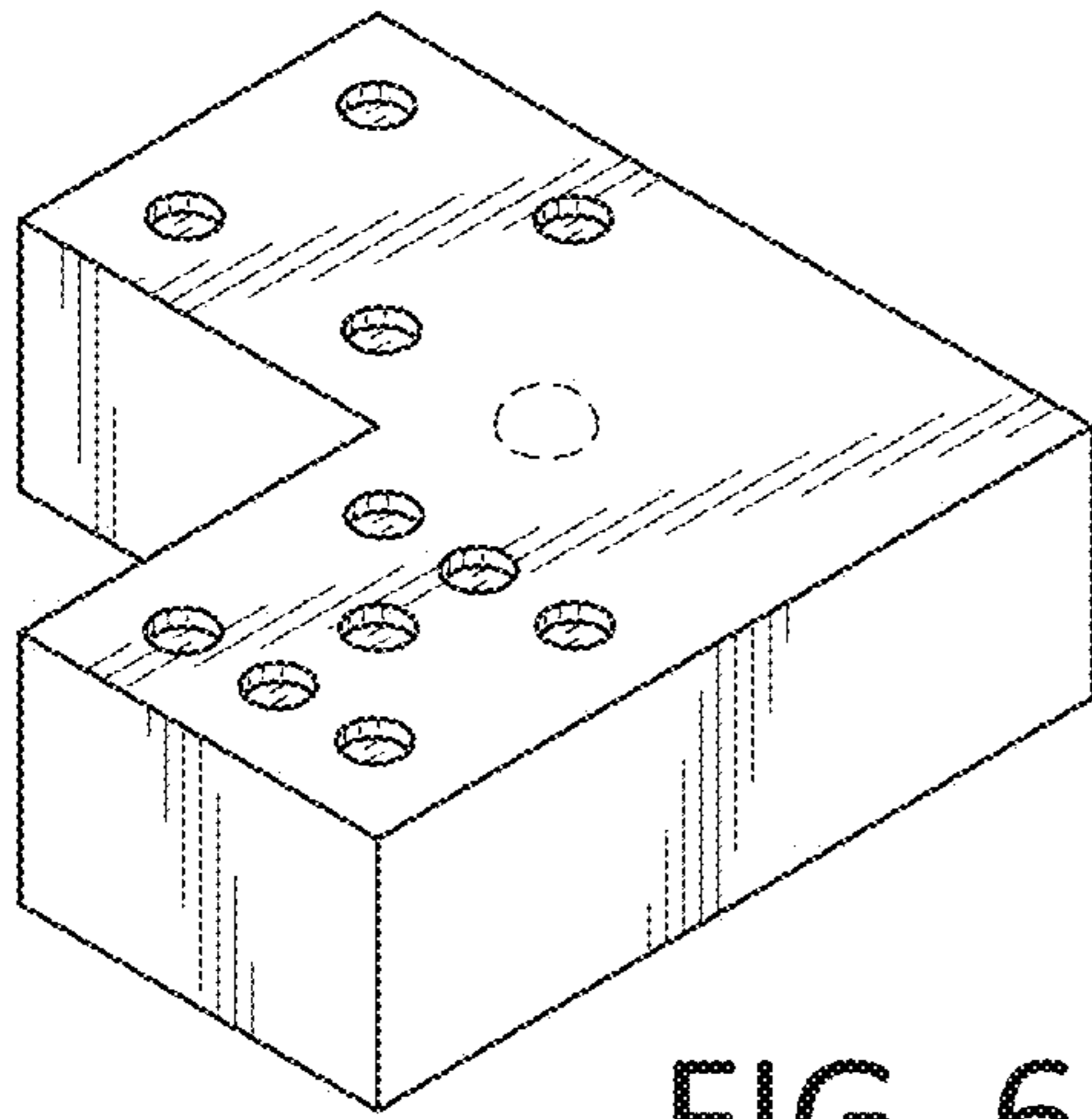


FIG. 64

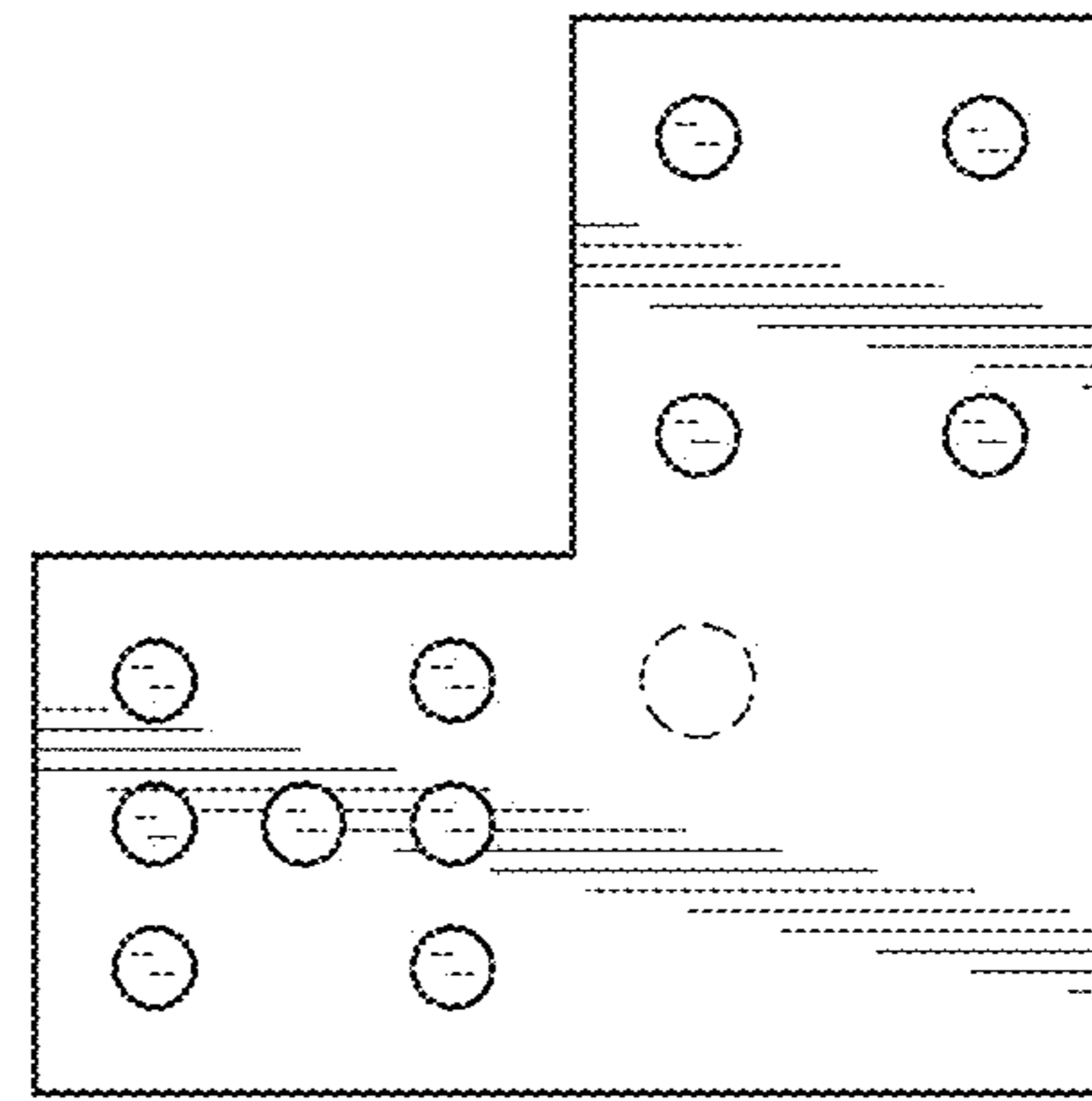


FIG. 65

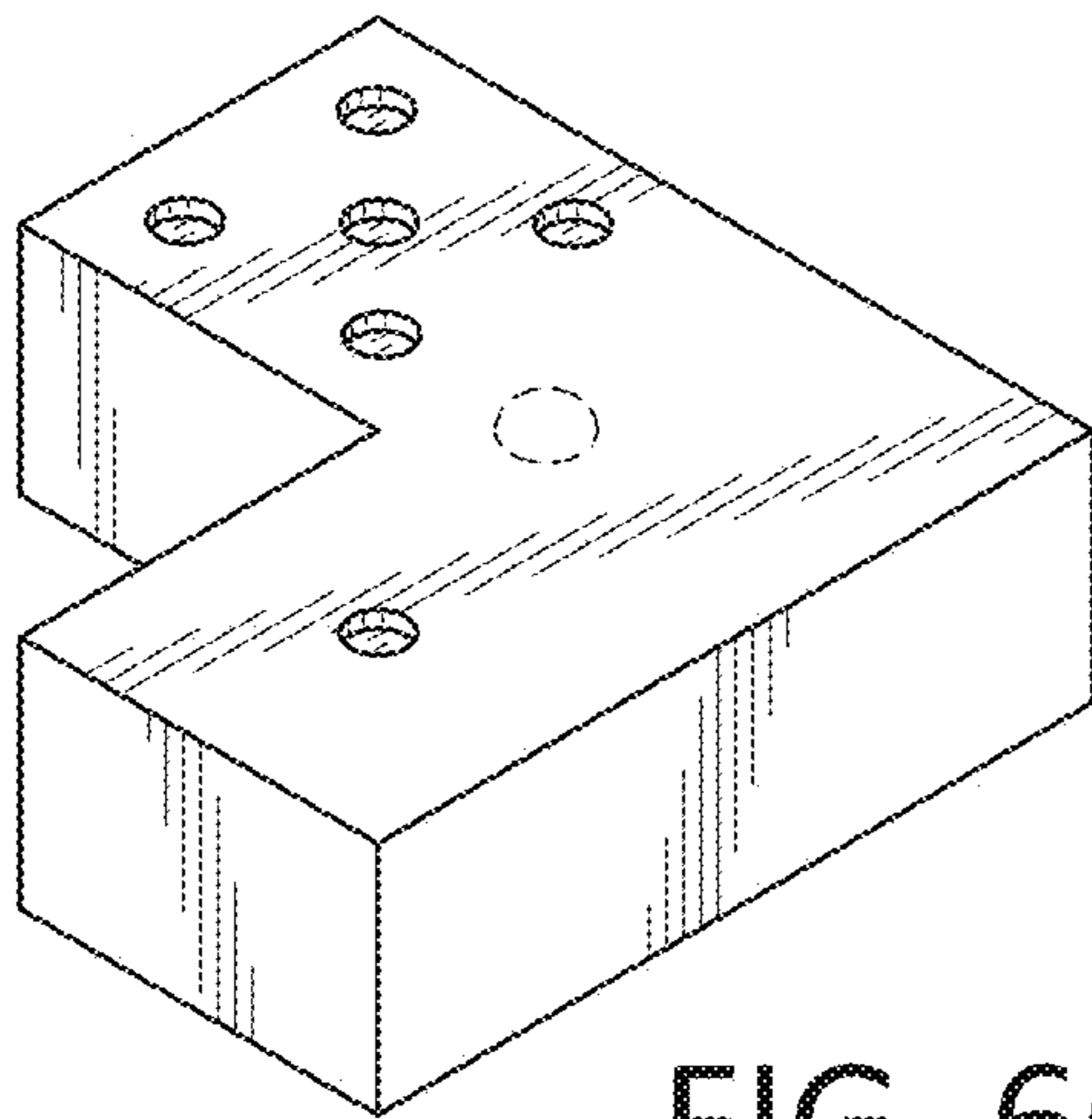


FIG. 66

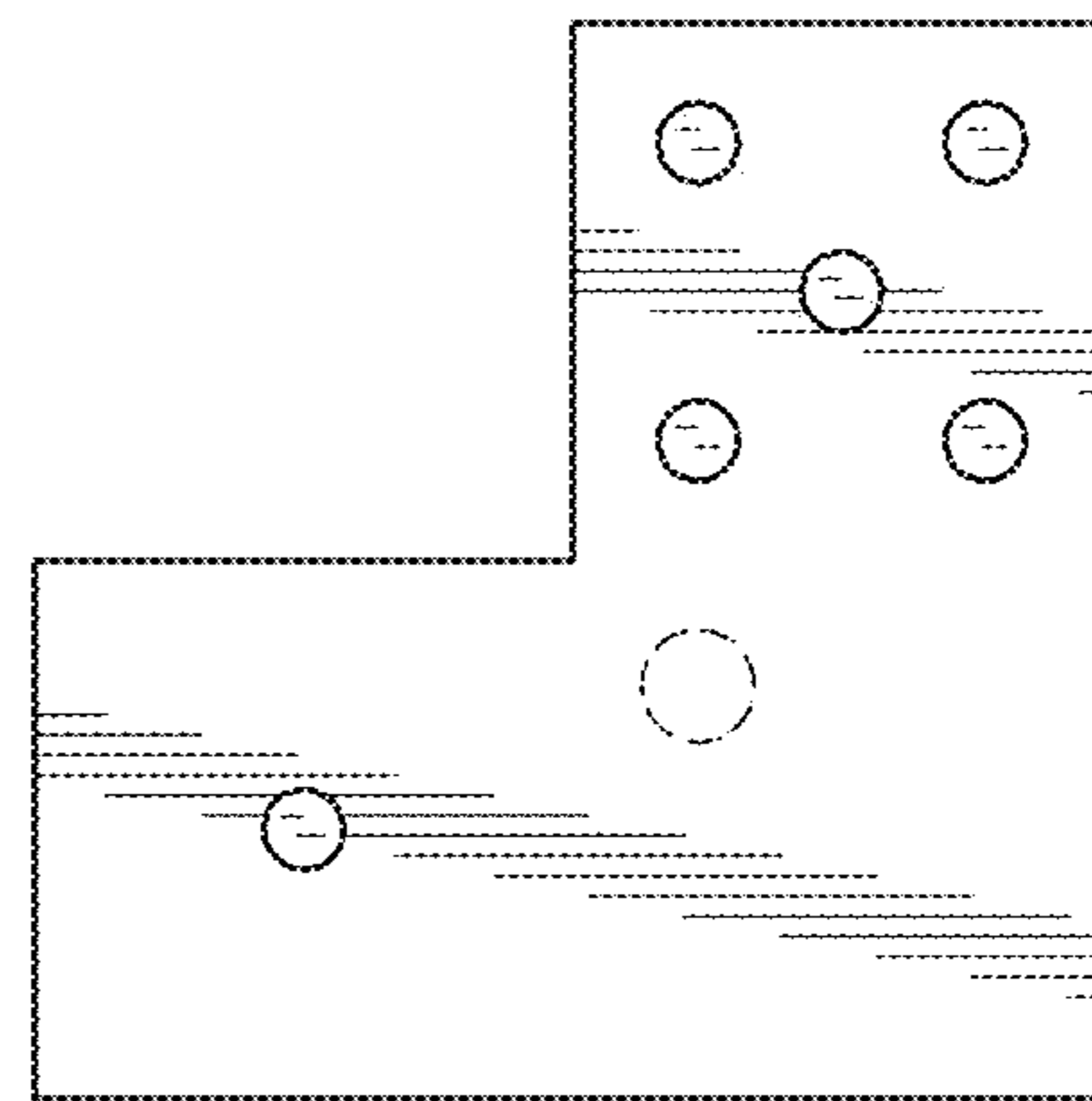


FIG. 67

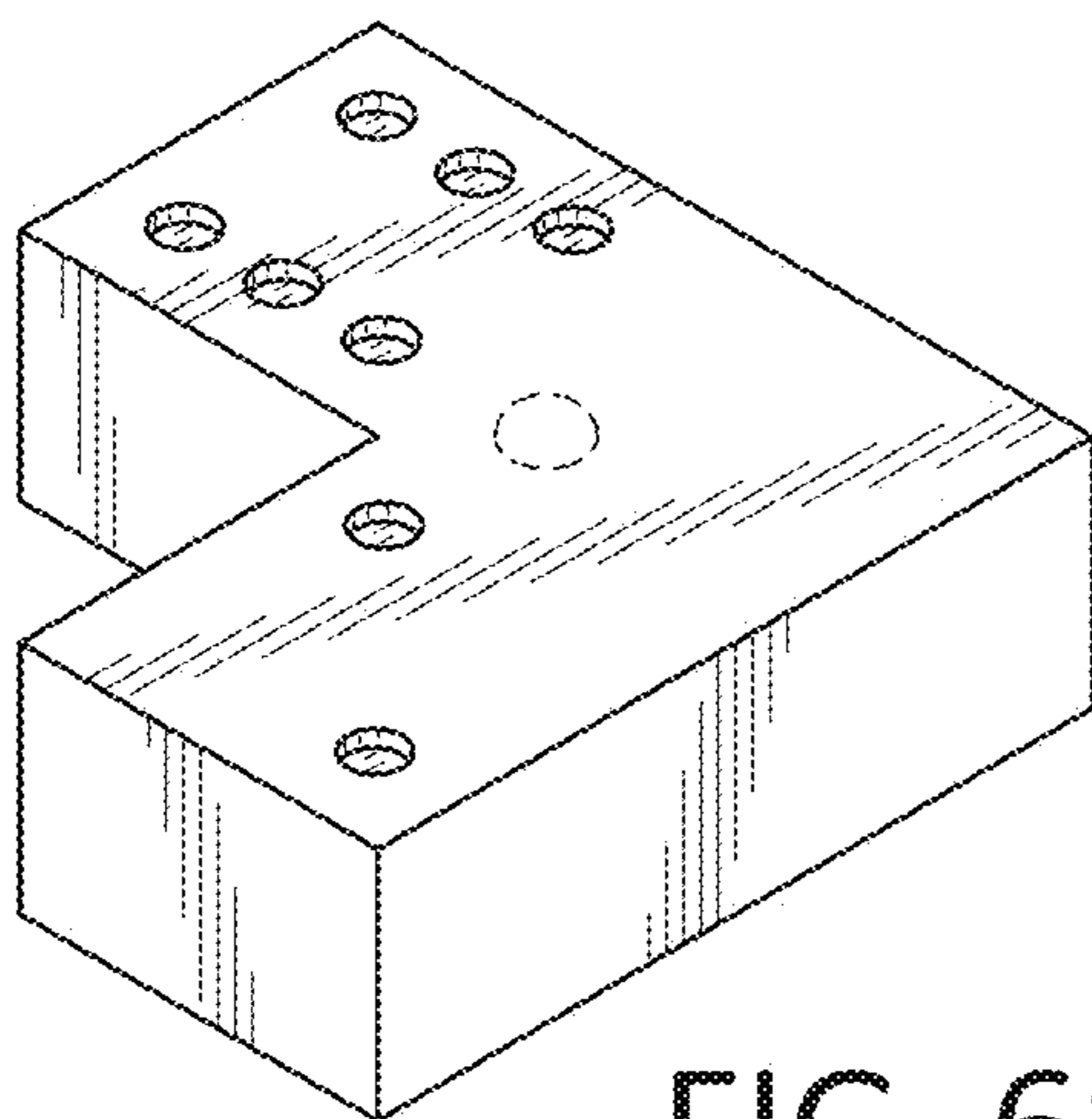


FIG. 68

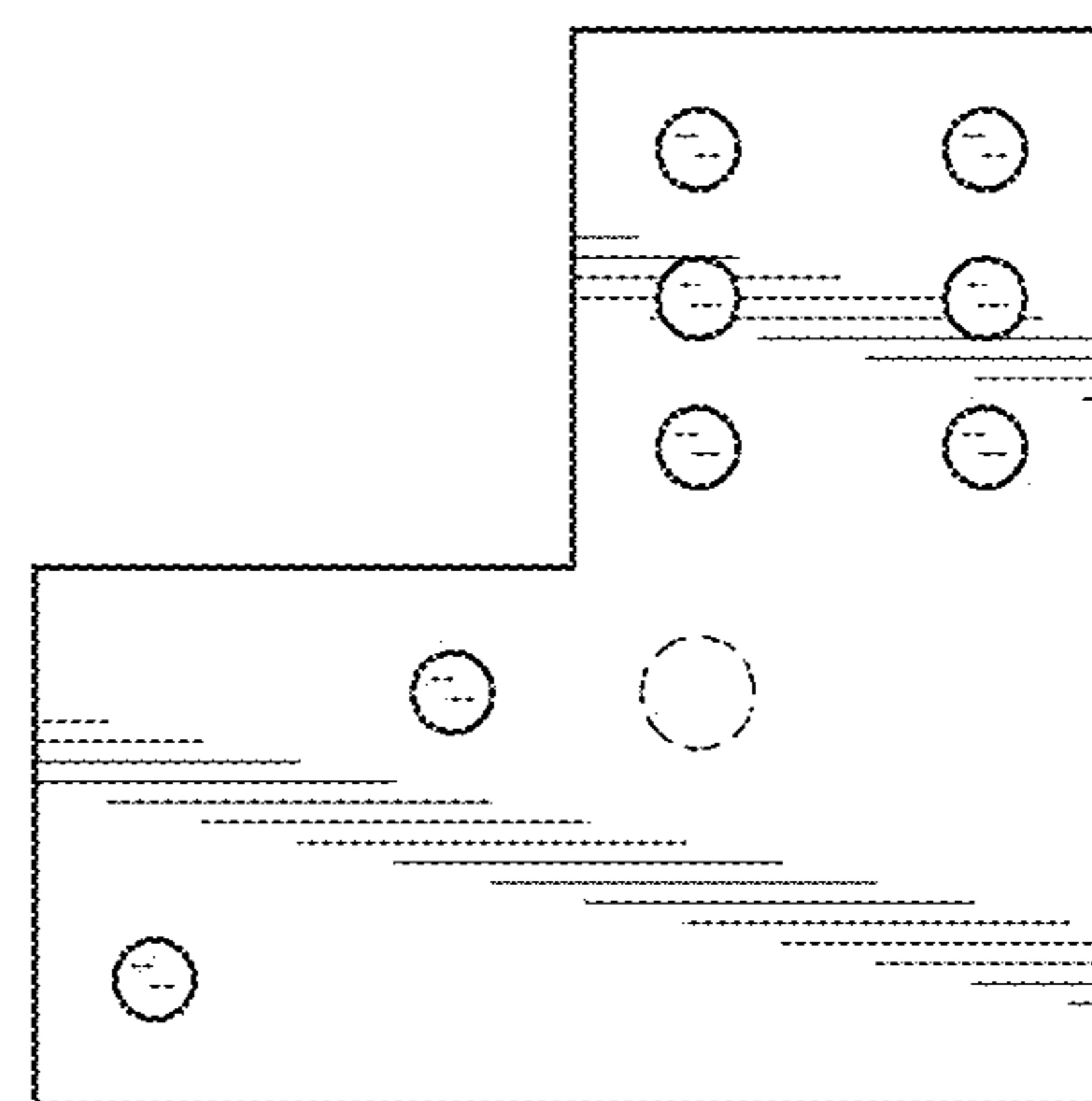


FIG. 69

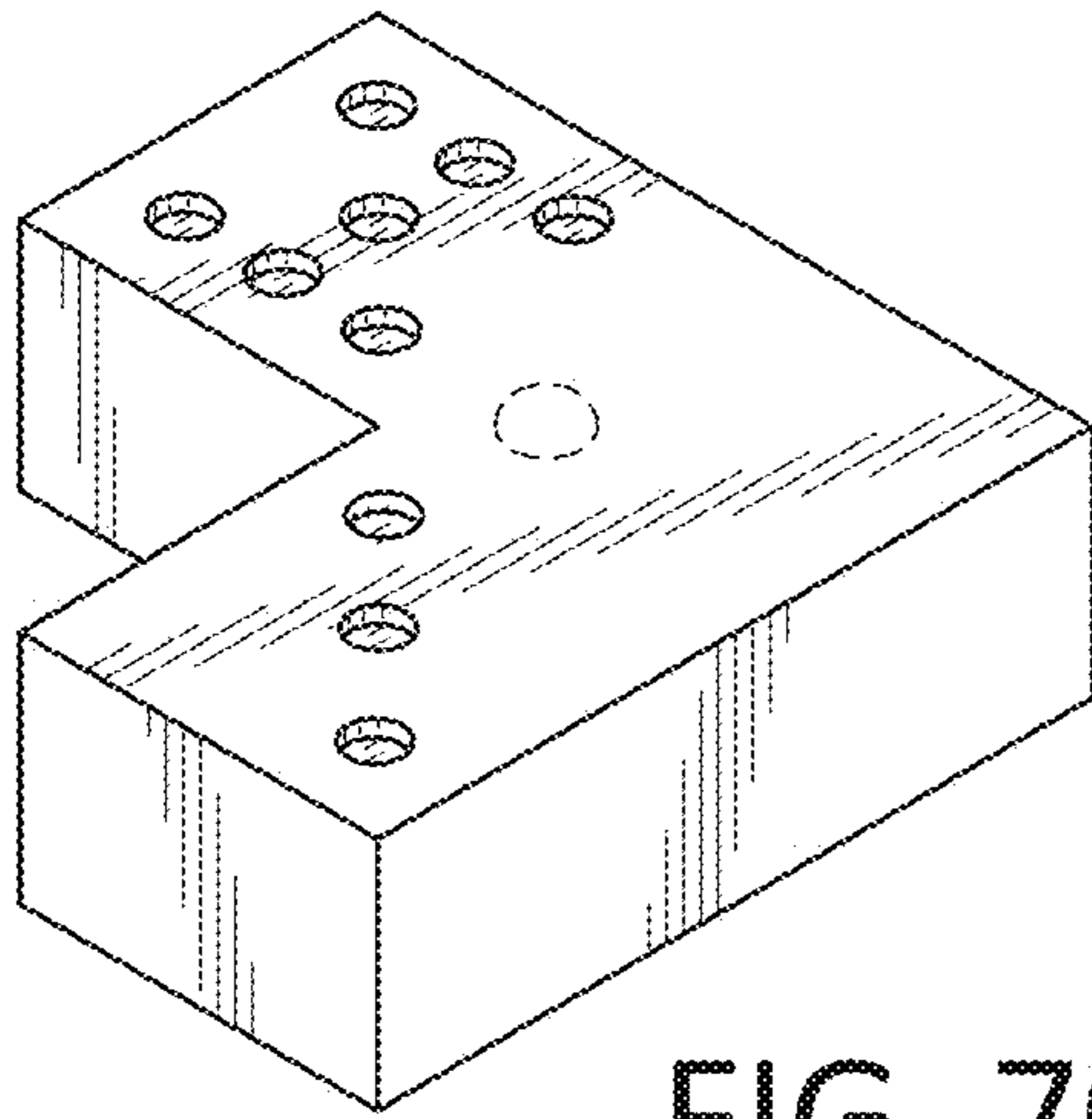


FIG. 70

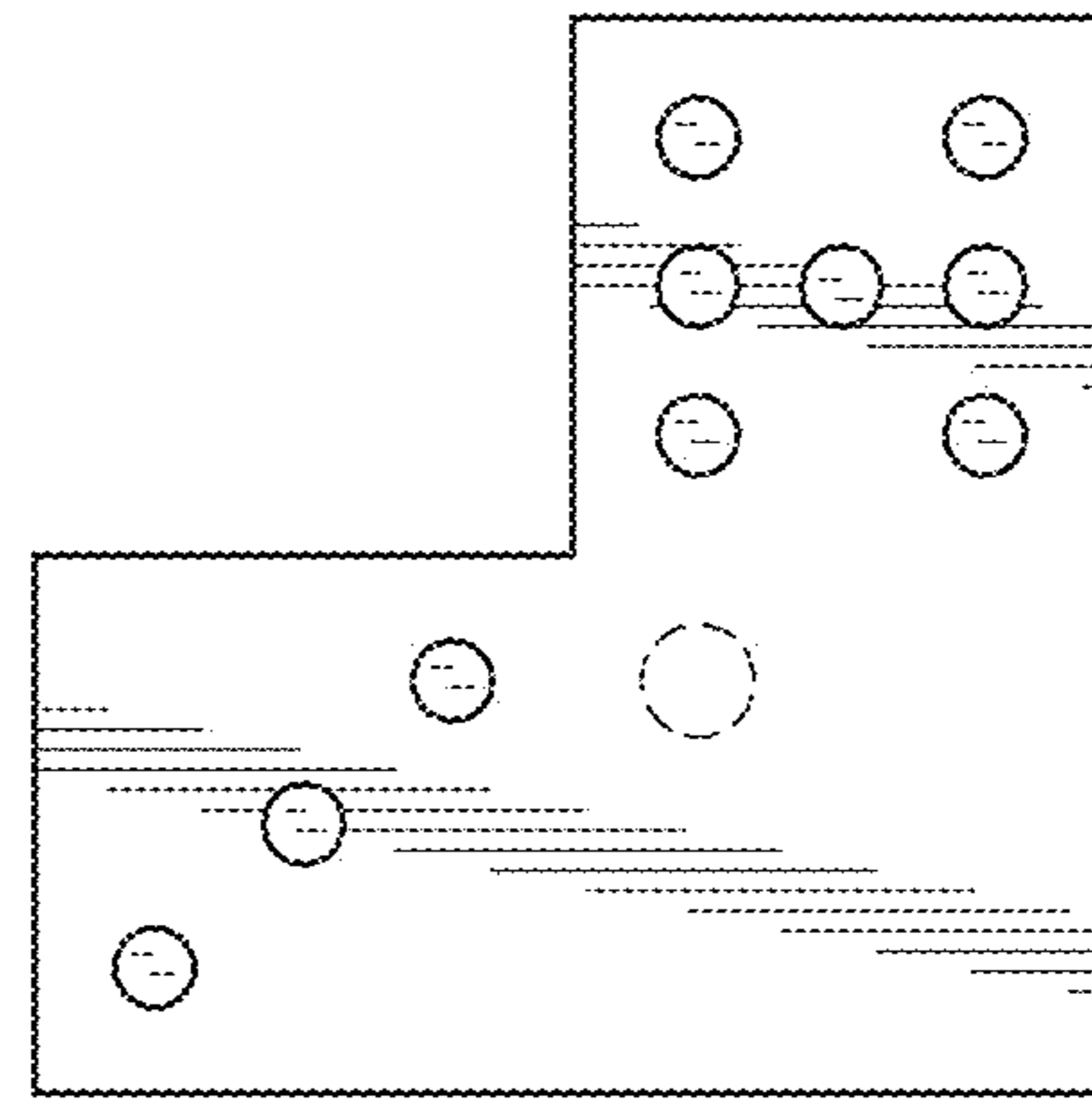


FIG. 71

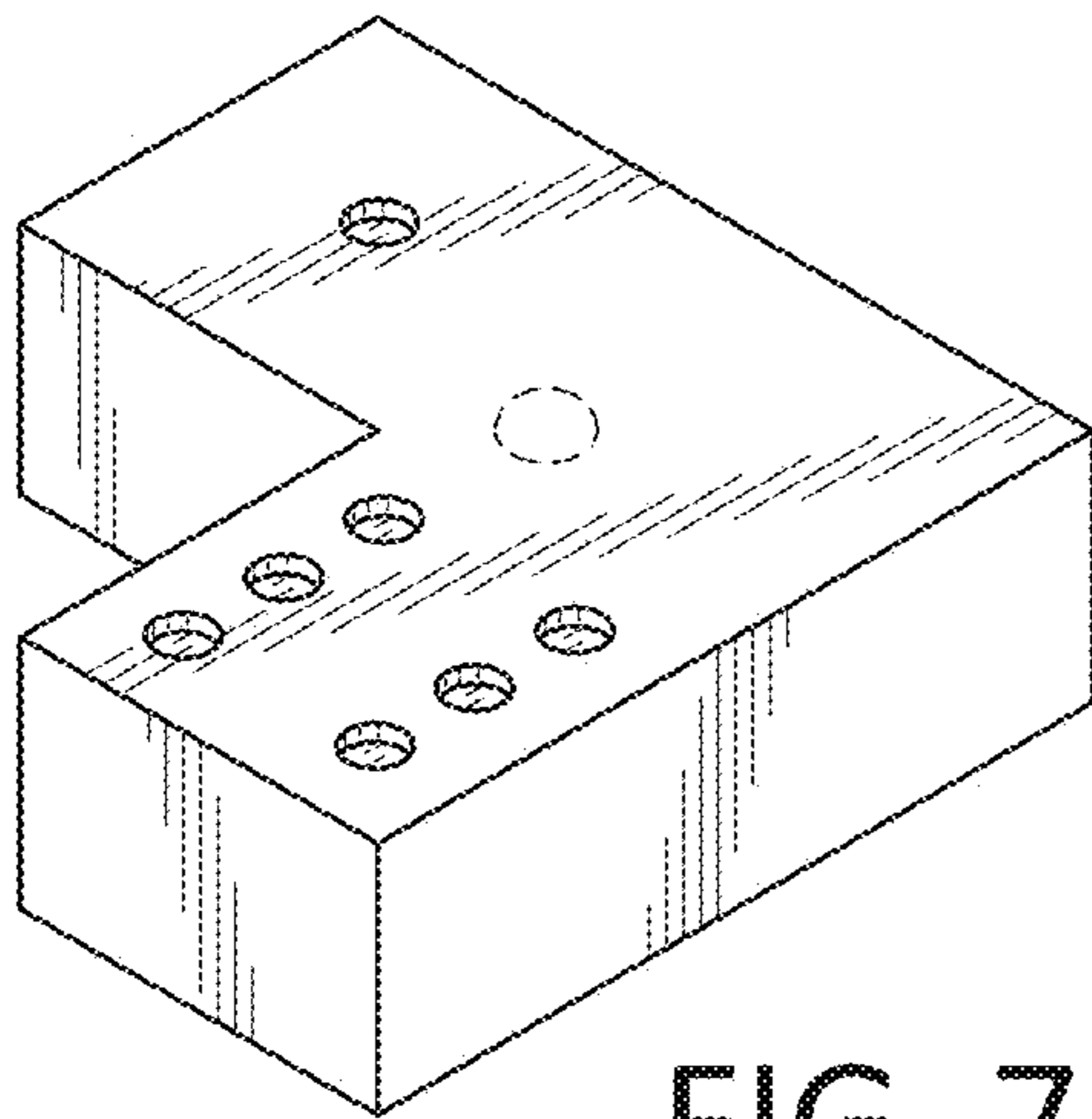


FIG. 72

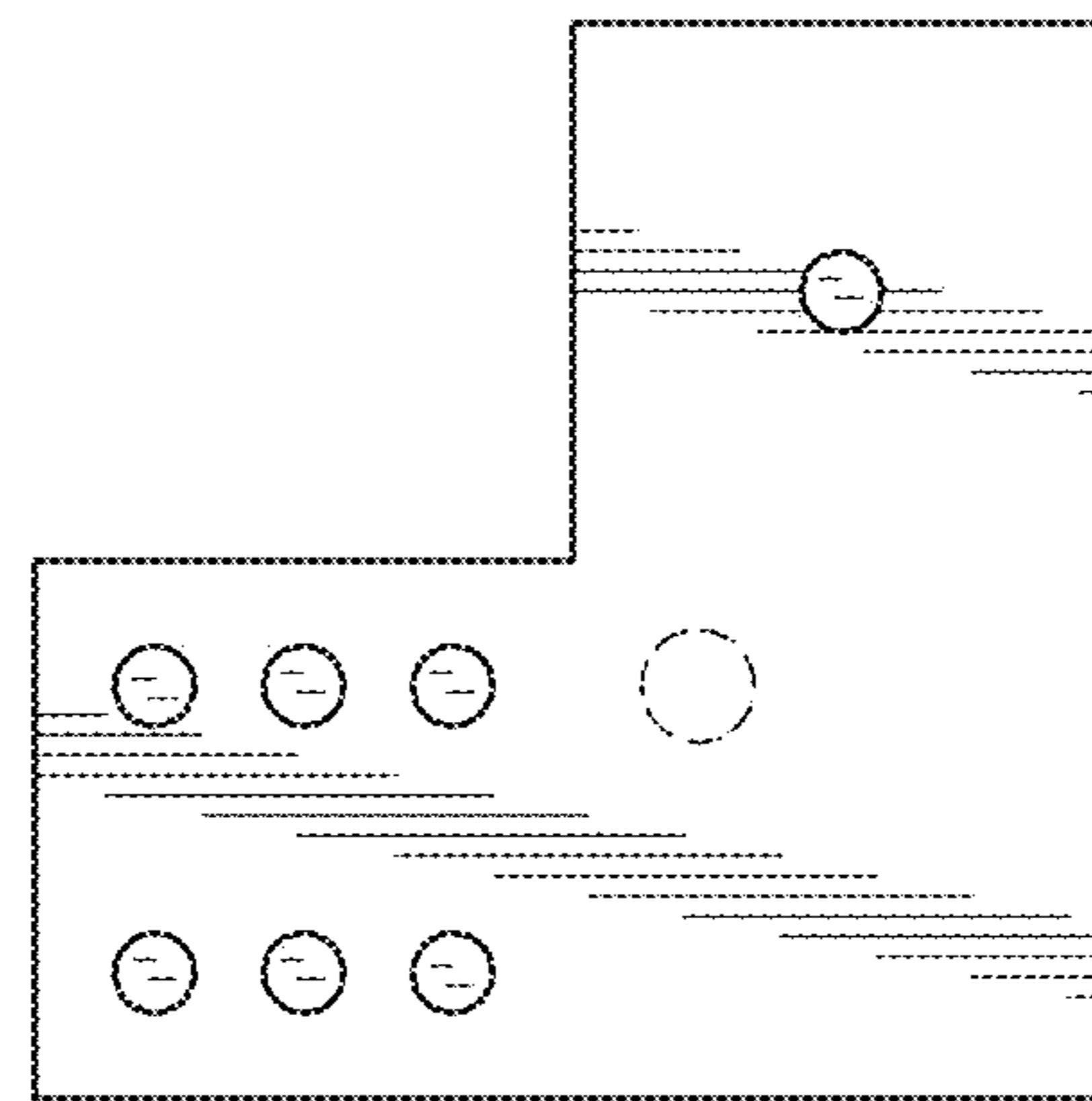


FIG. 73

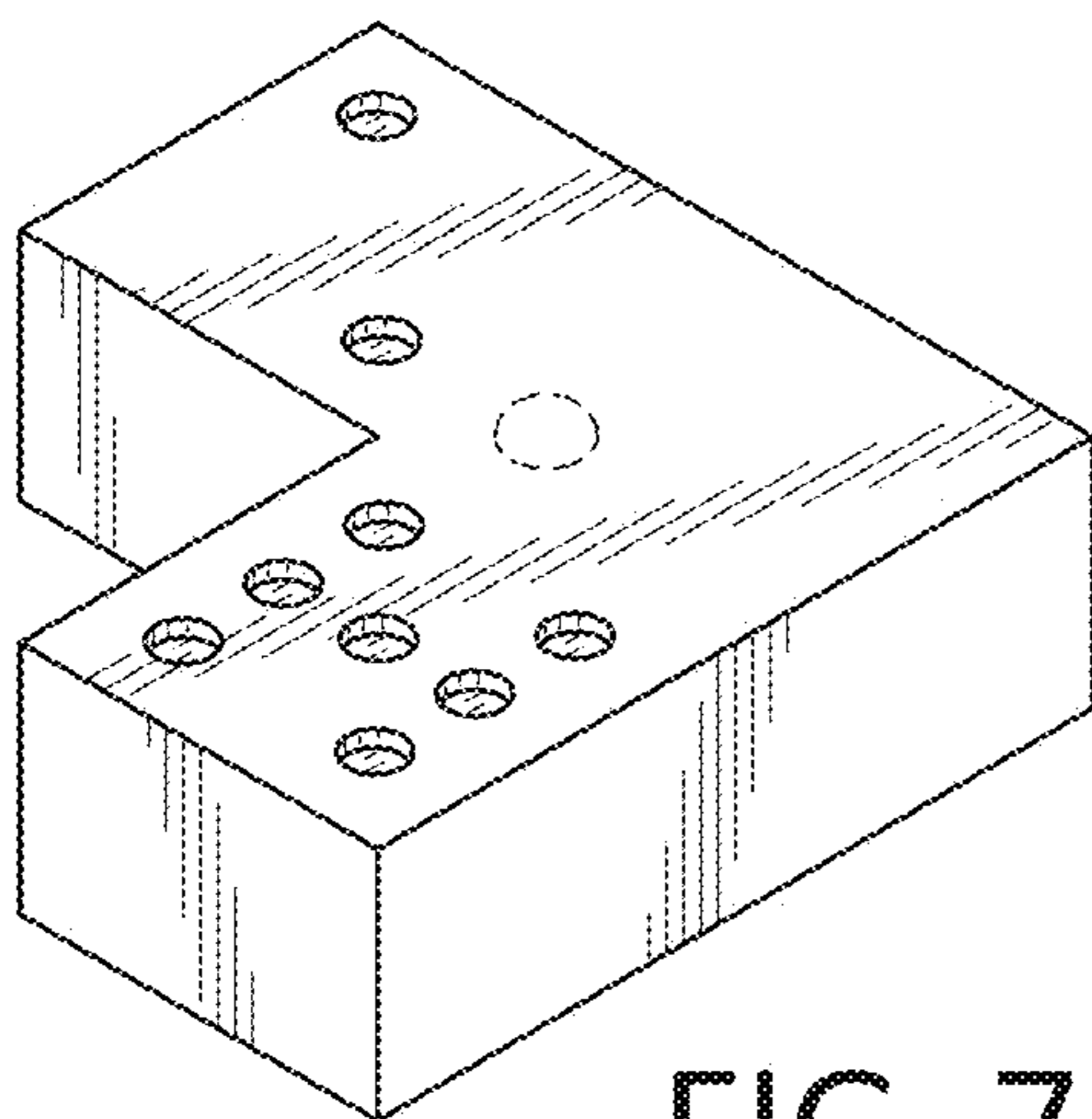


FIG. 74

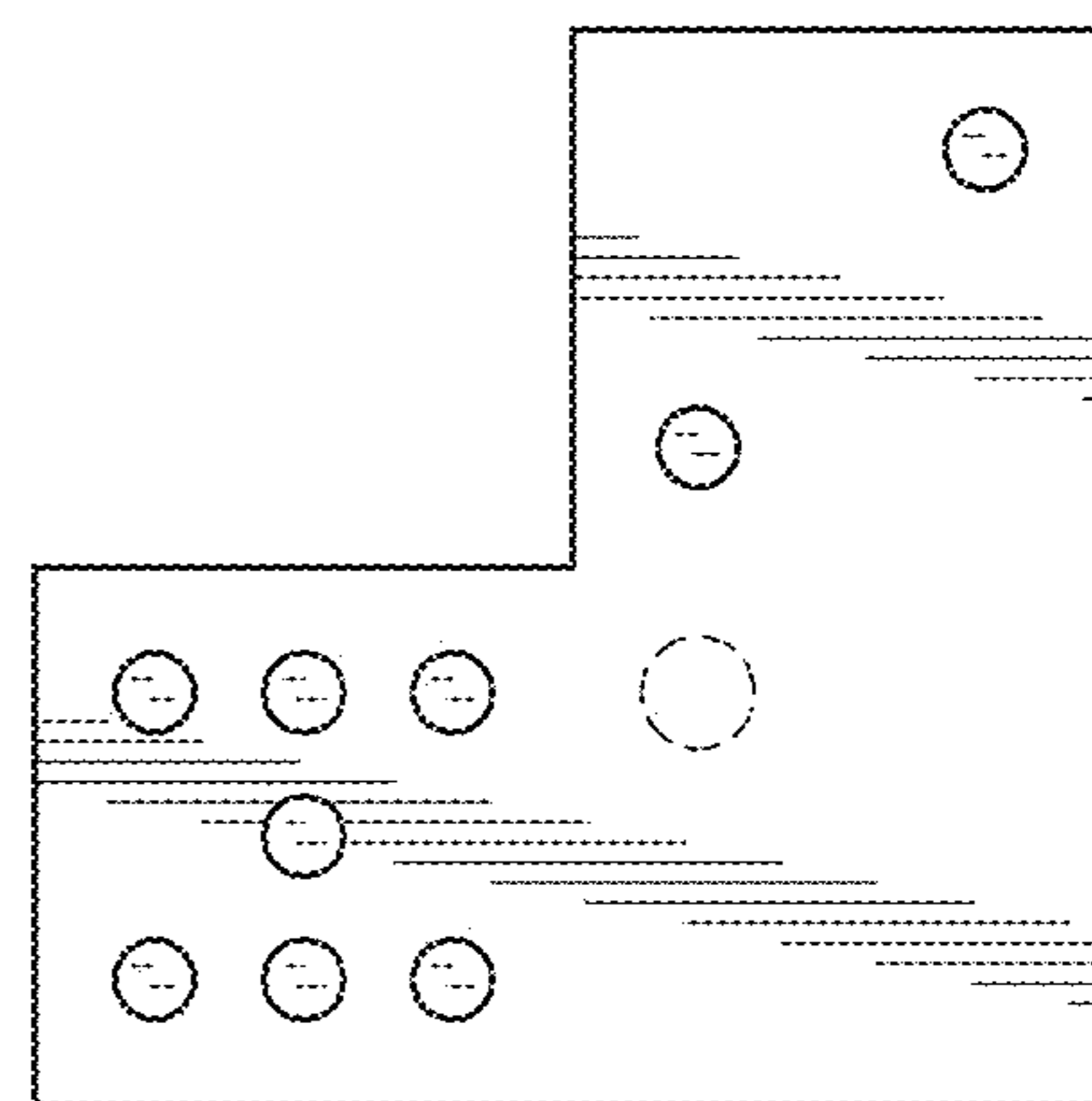


FIG. 75



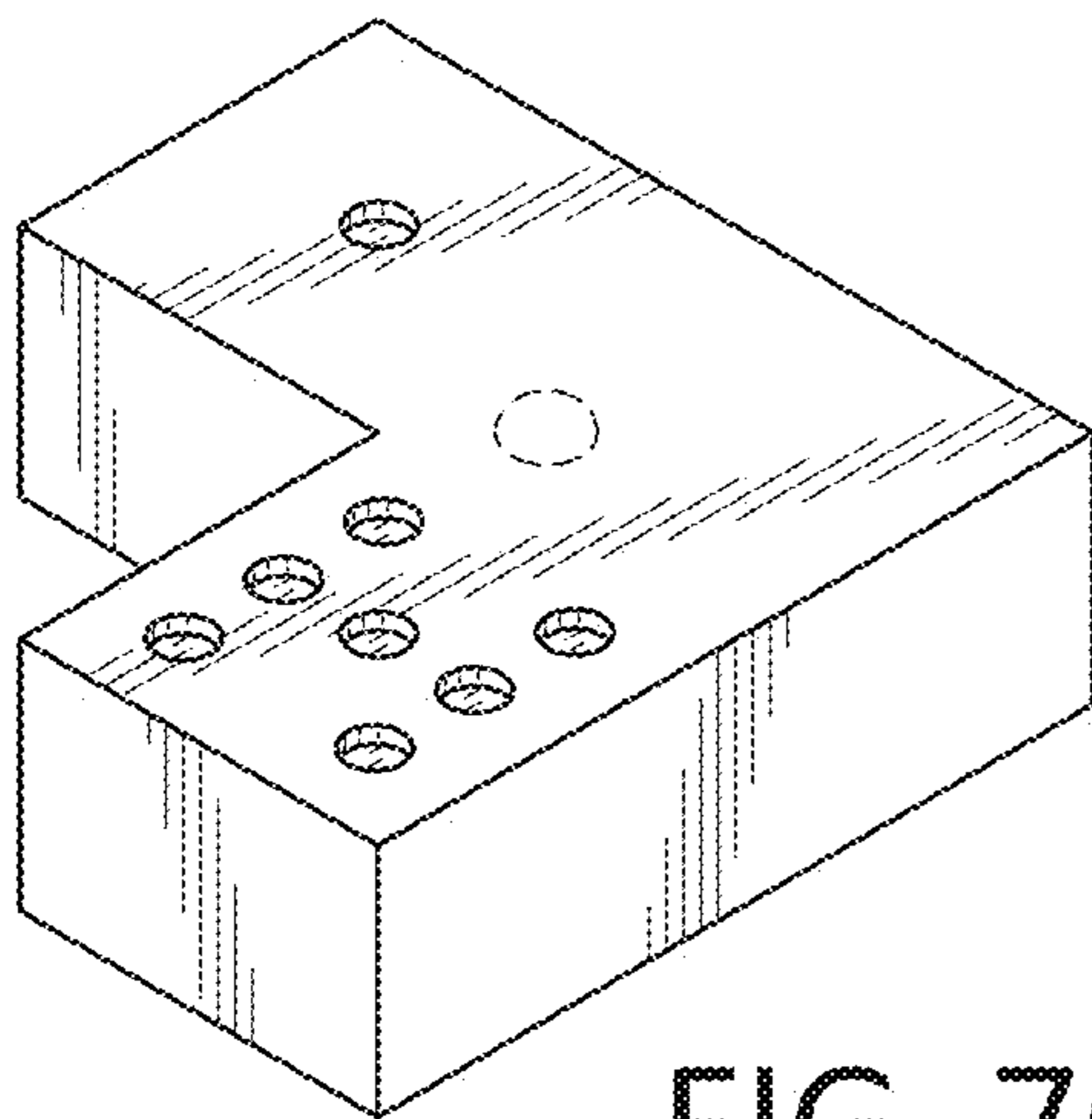


FIG. 76

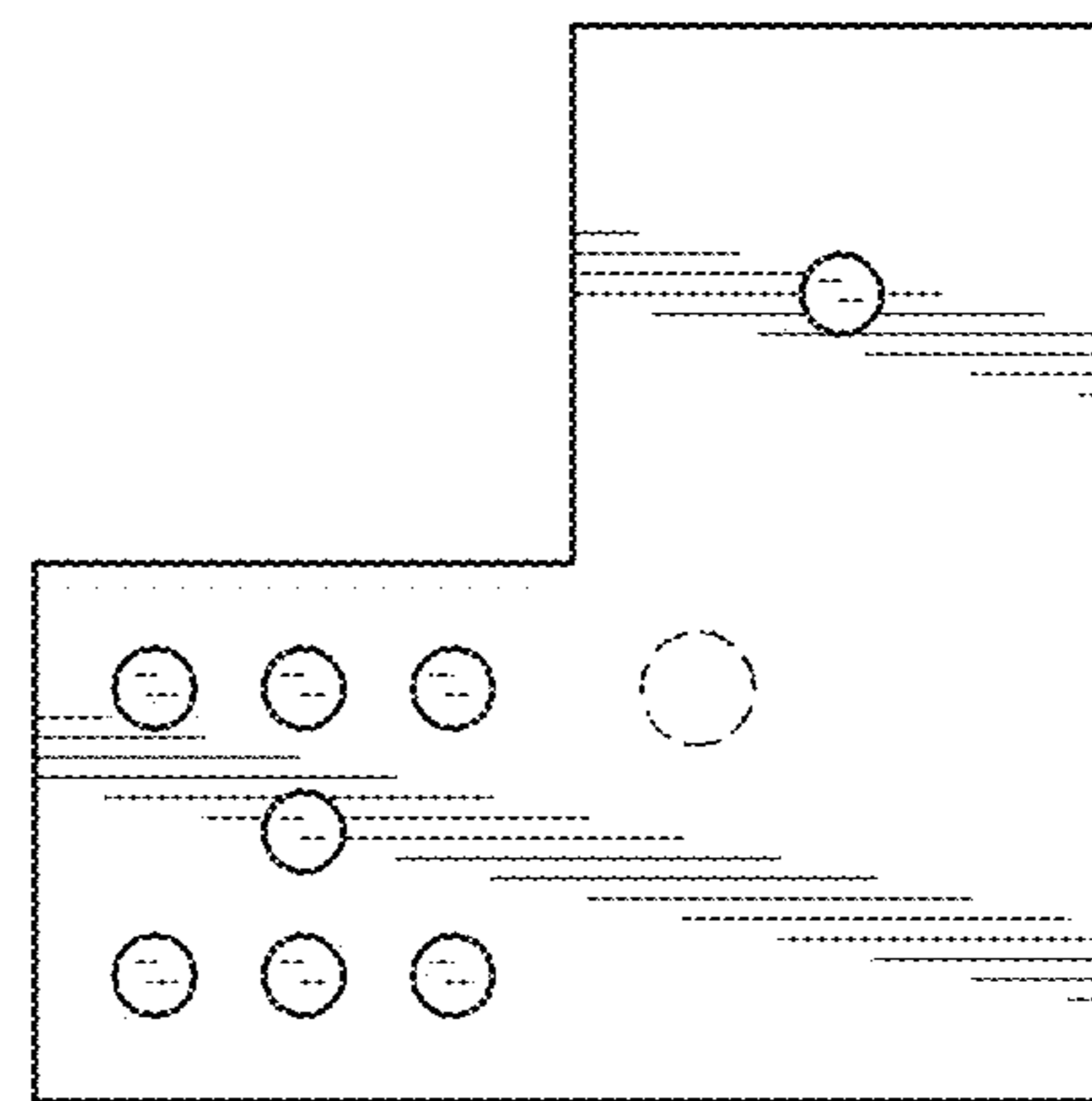


FIG. 77

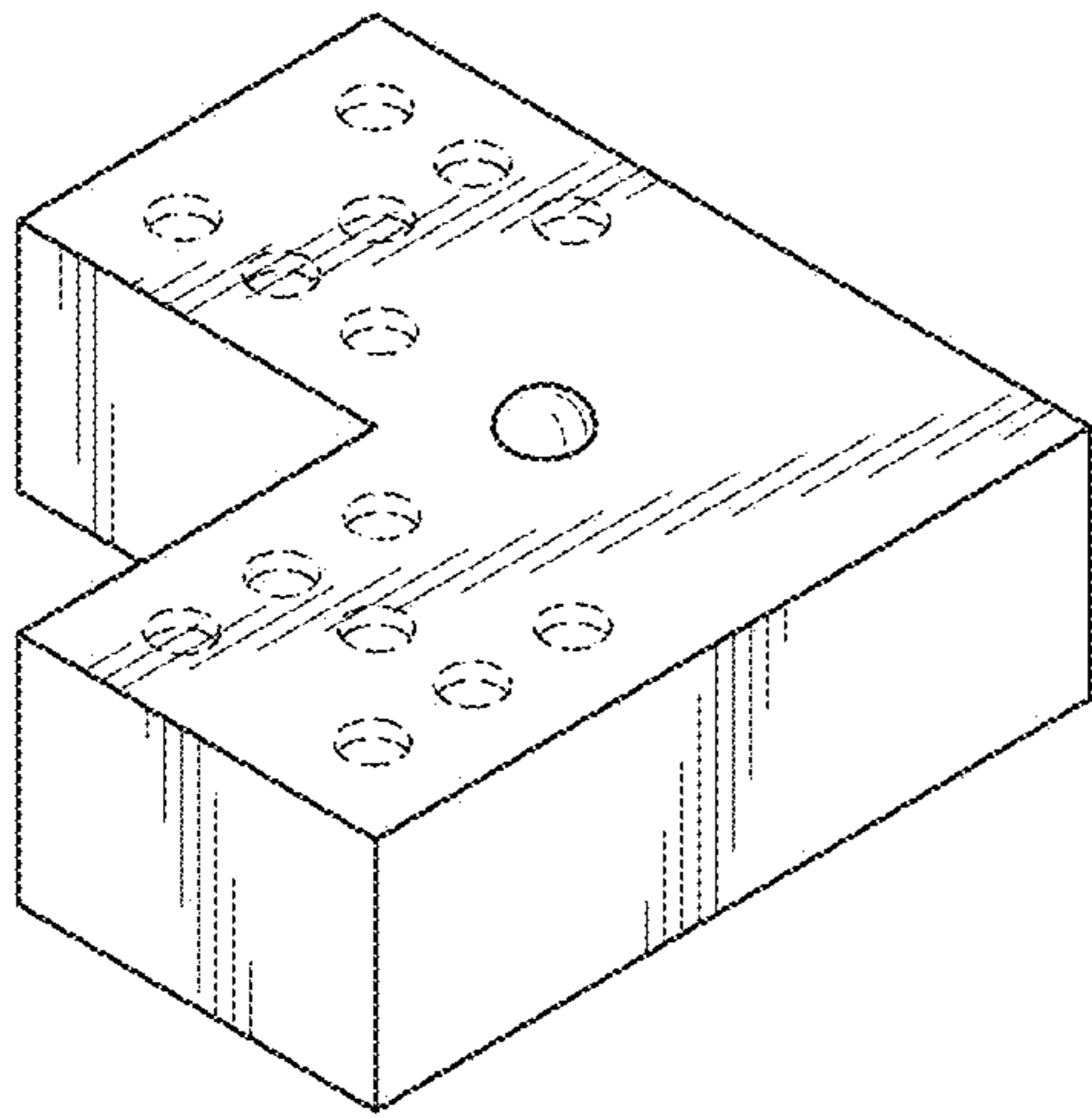


FIG. 78

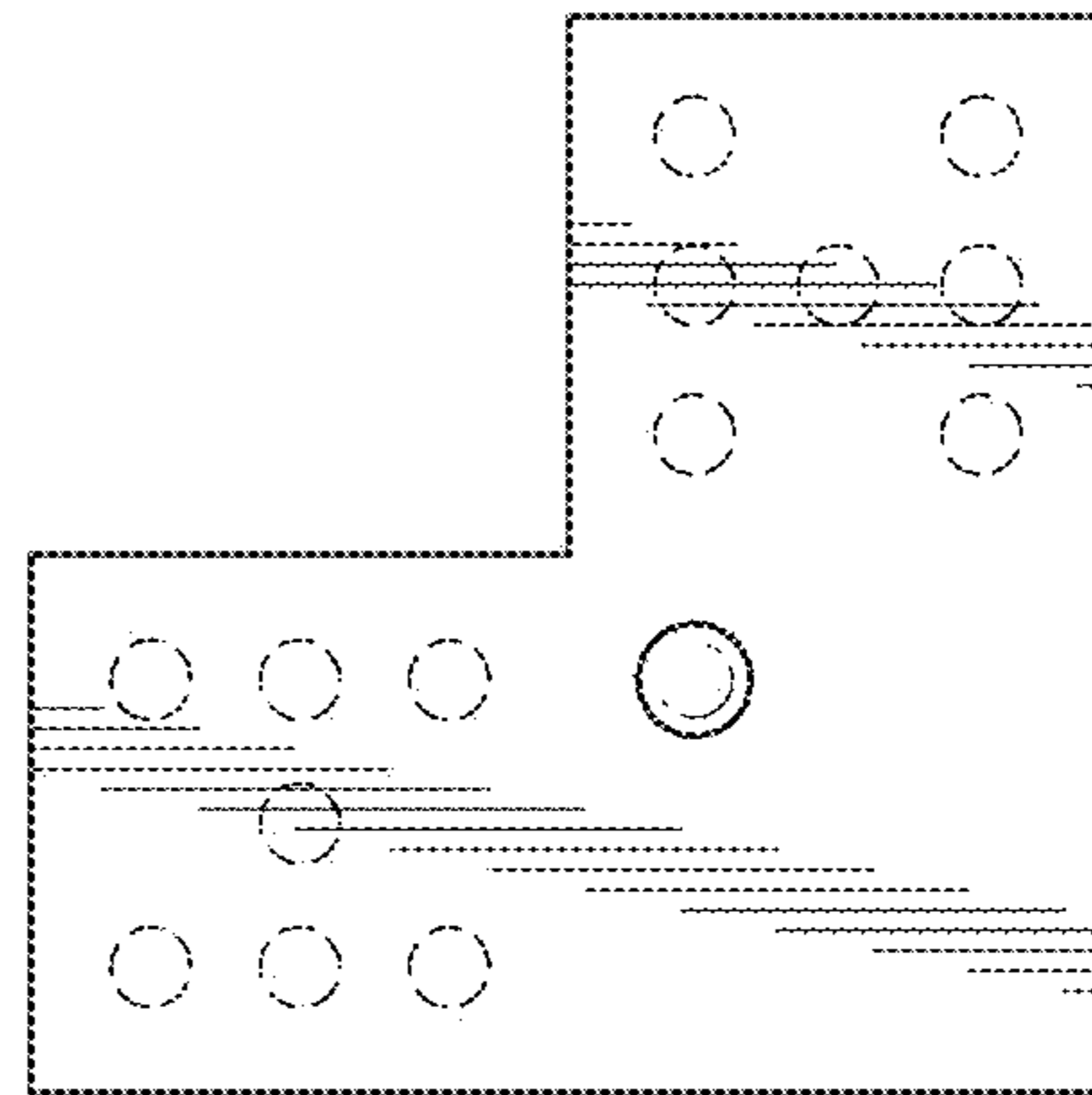


FIG. 79

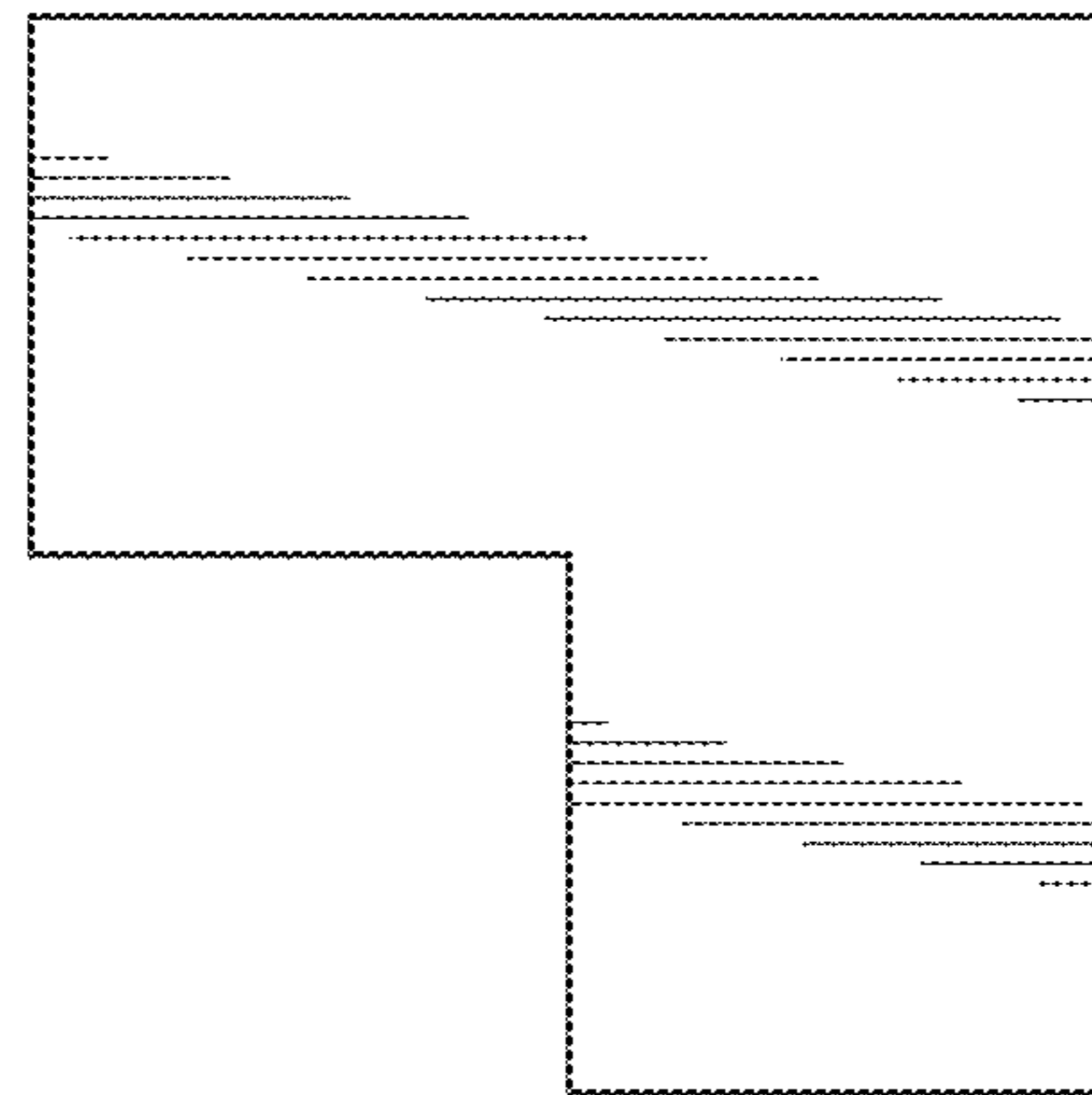


FIG. 80

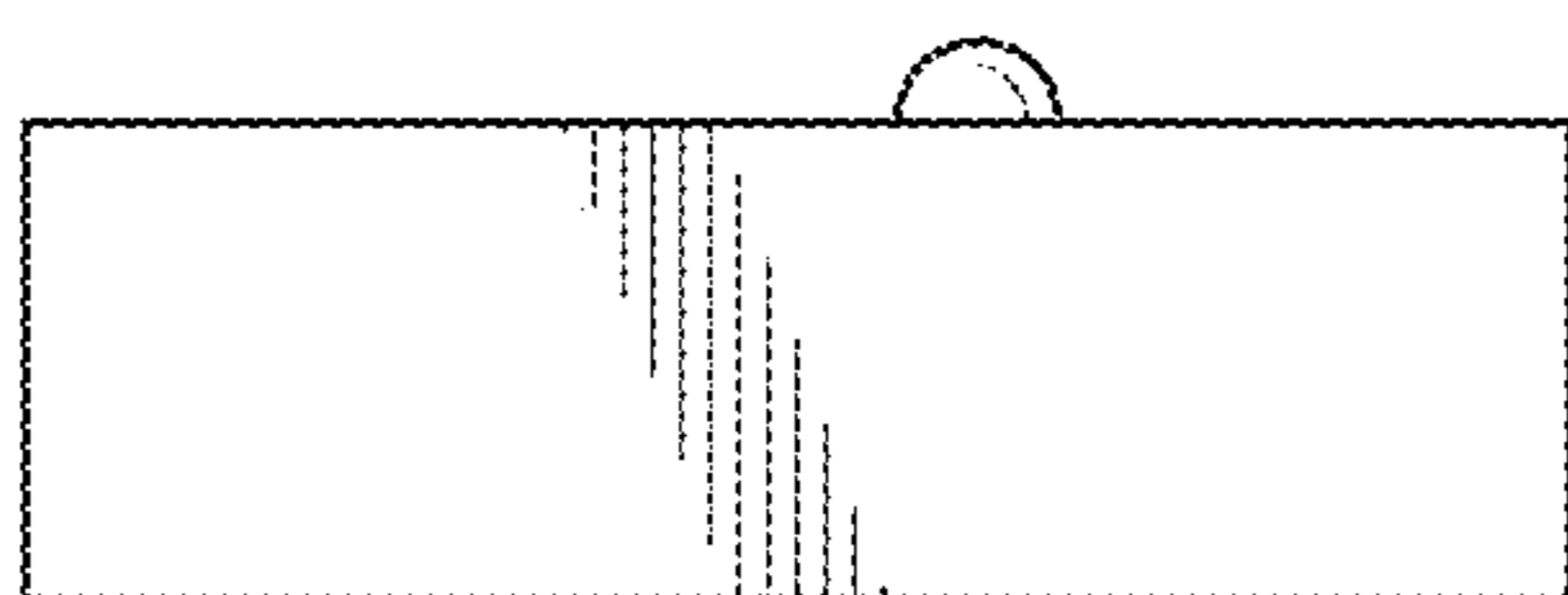


FIG. 81

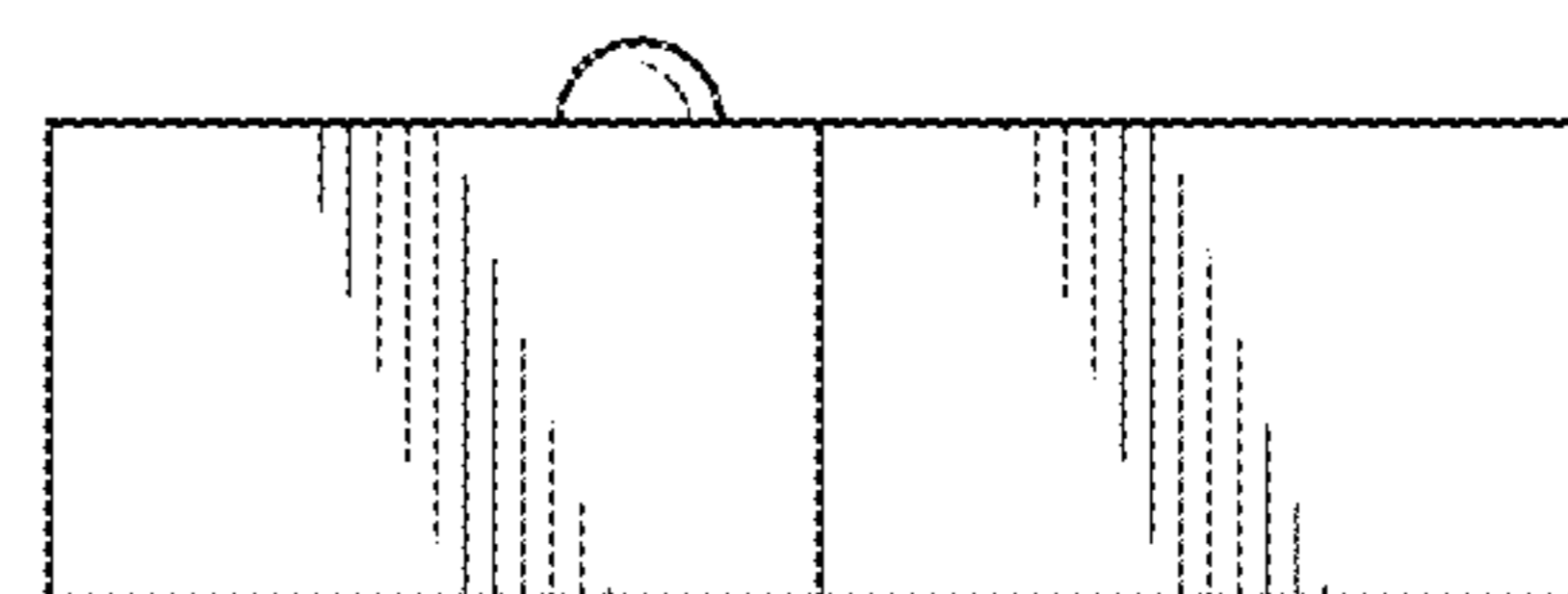


FIG. 82

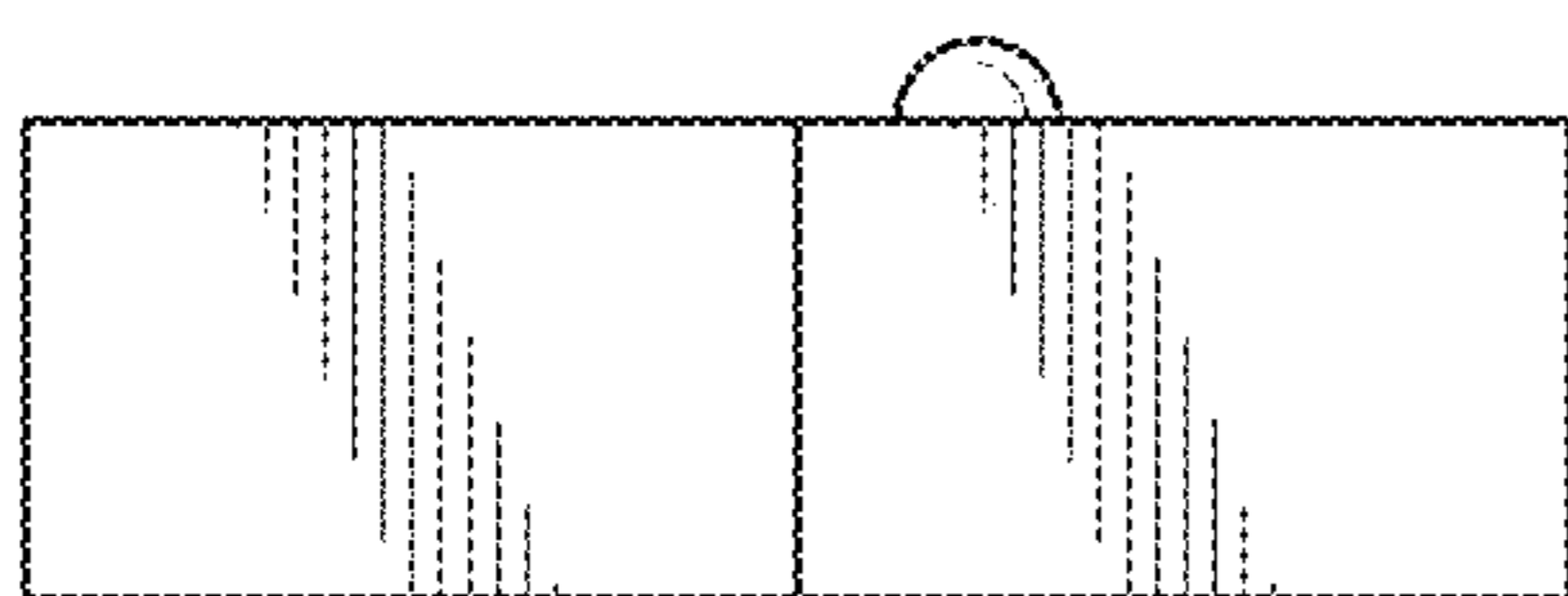


FIG. 83

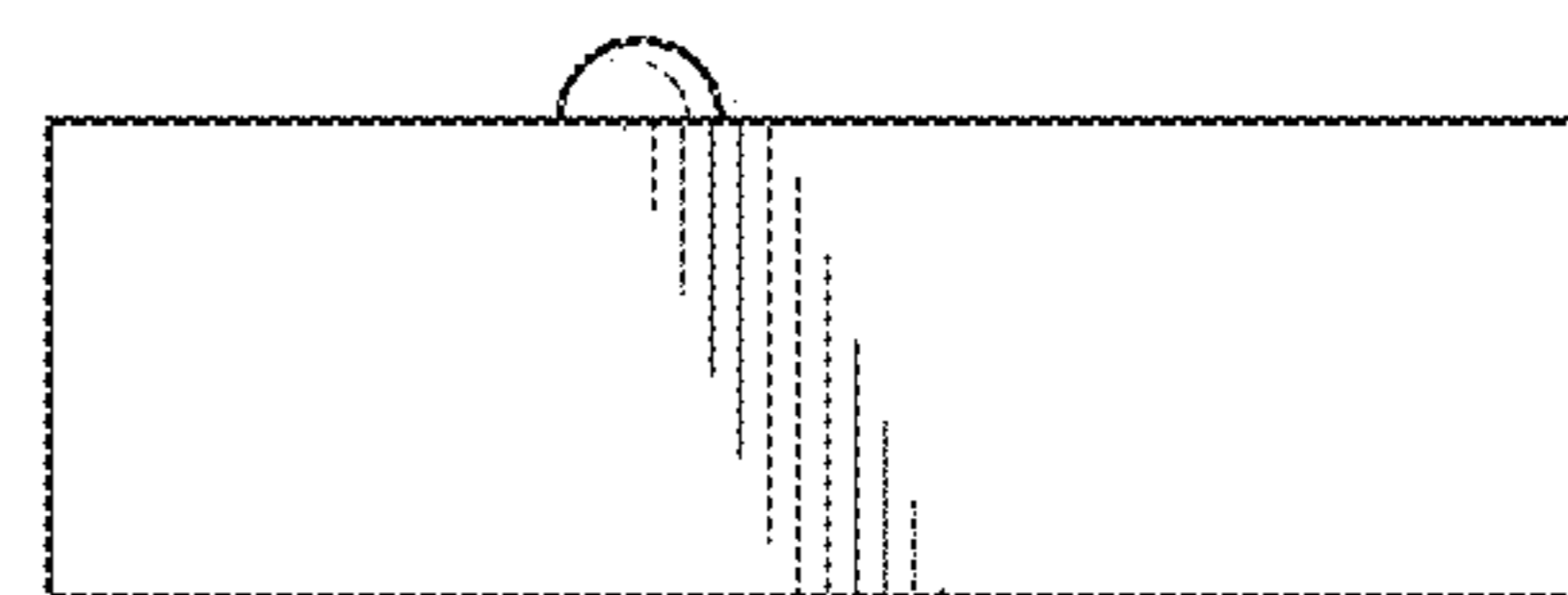


FIG. 84

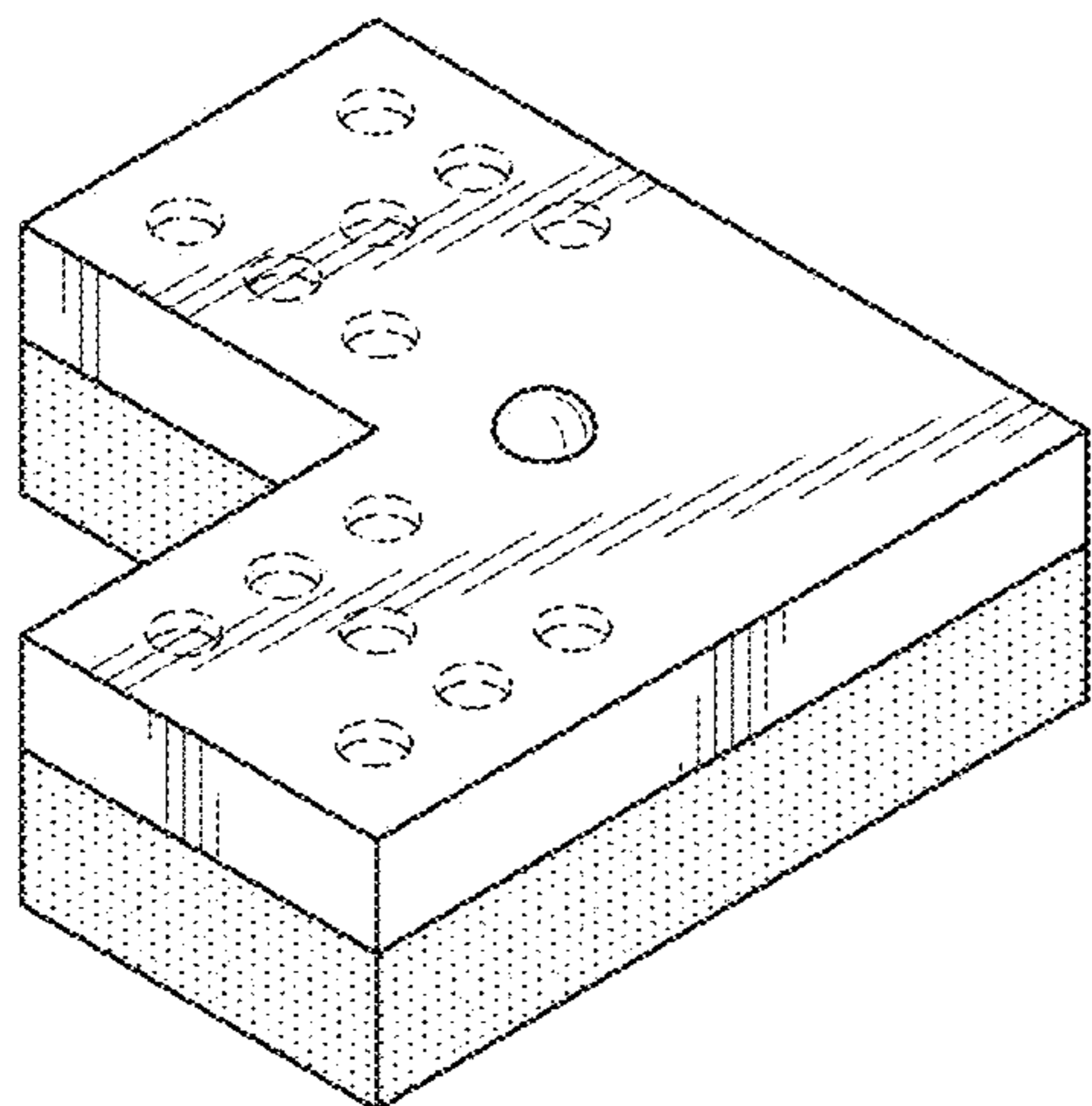


FIG. 85

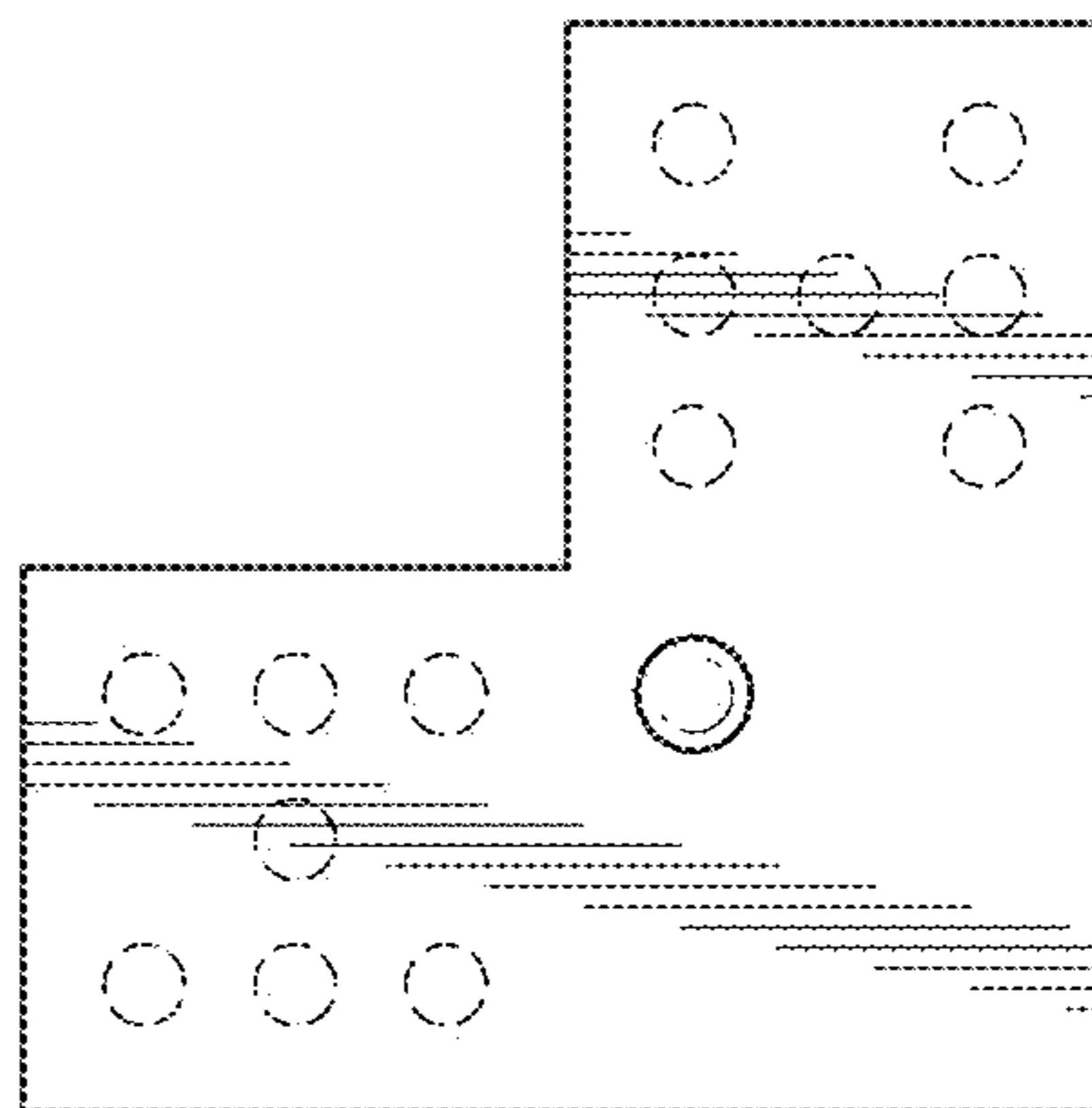


FIG. 86

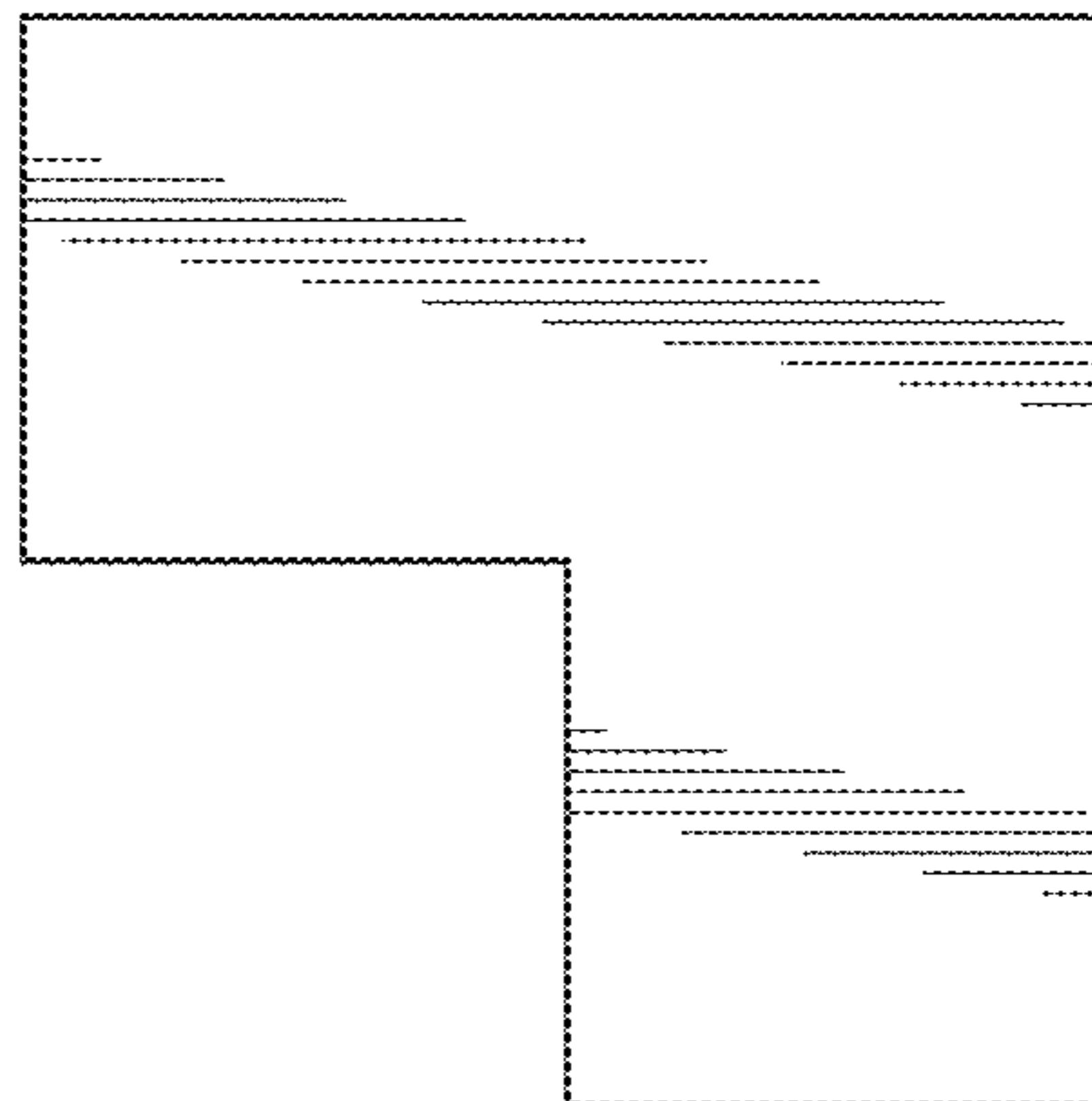


FIG. 87

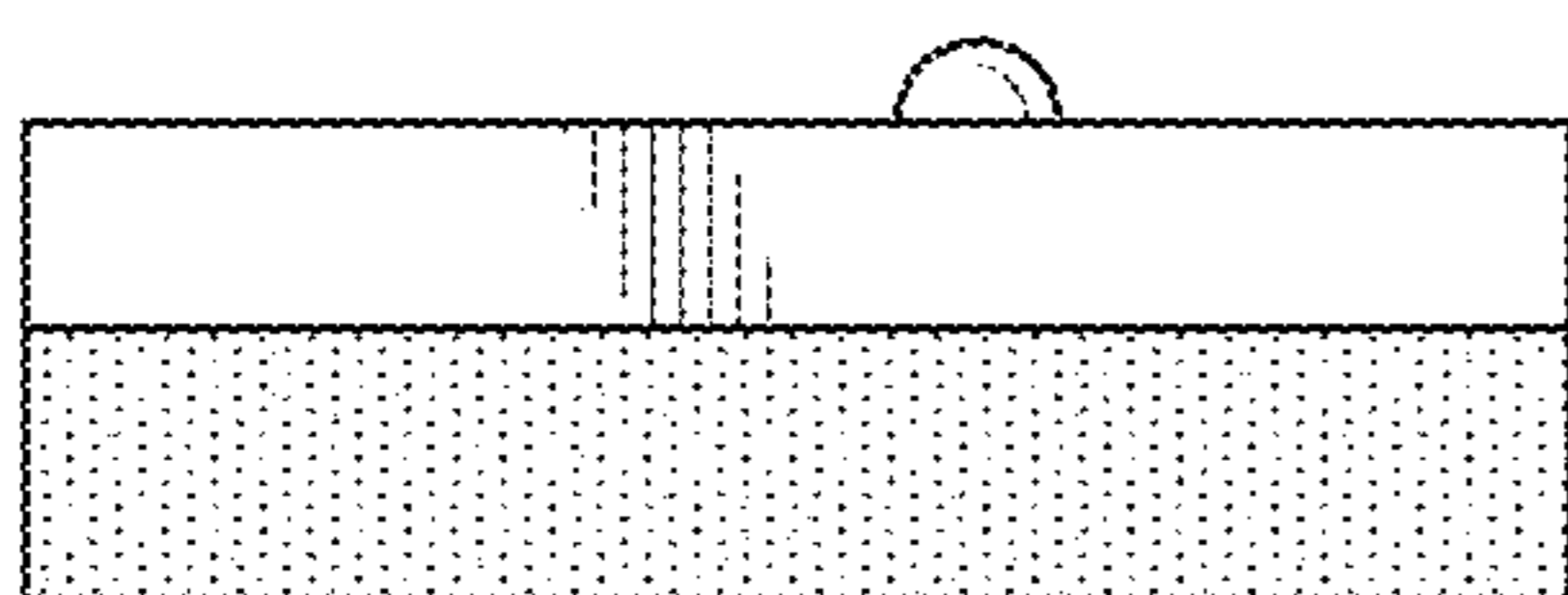


FIG. 88

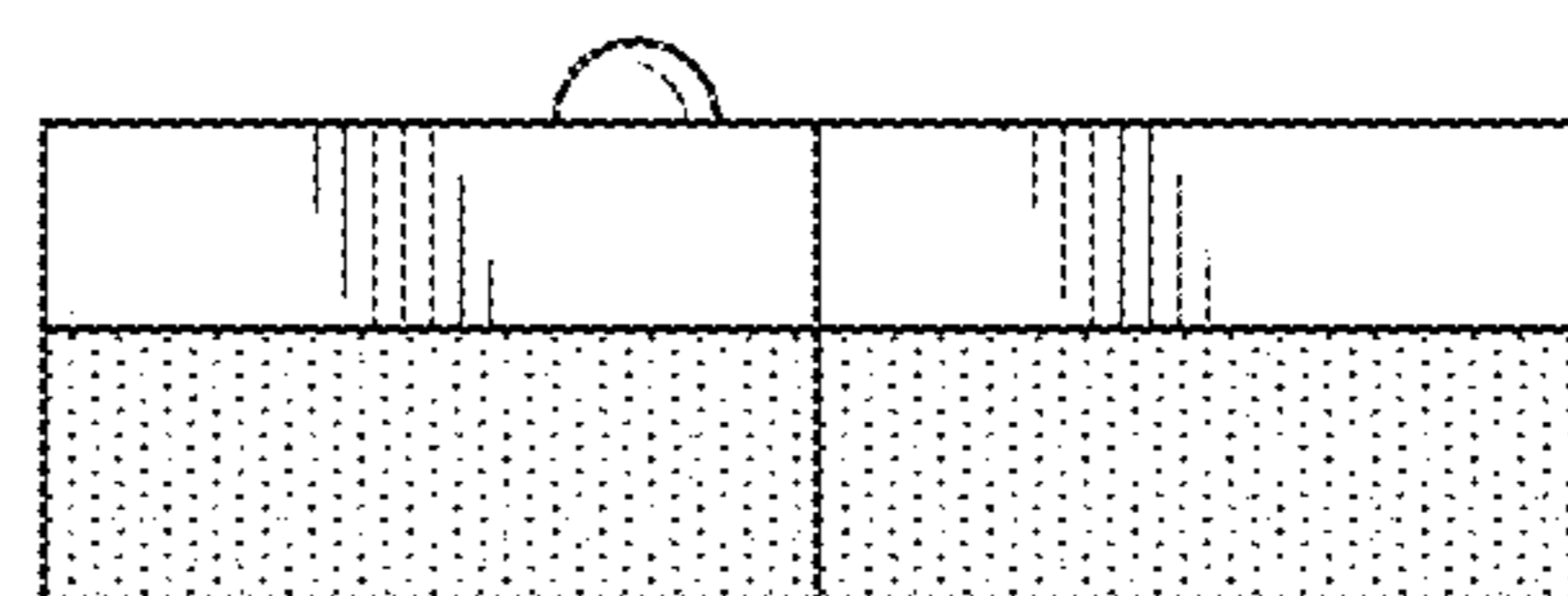


FIG. 89

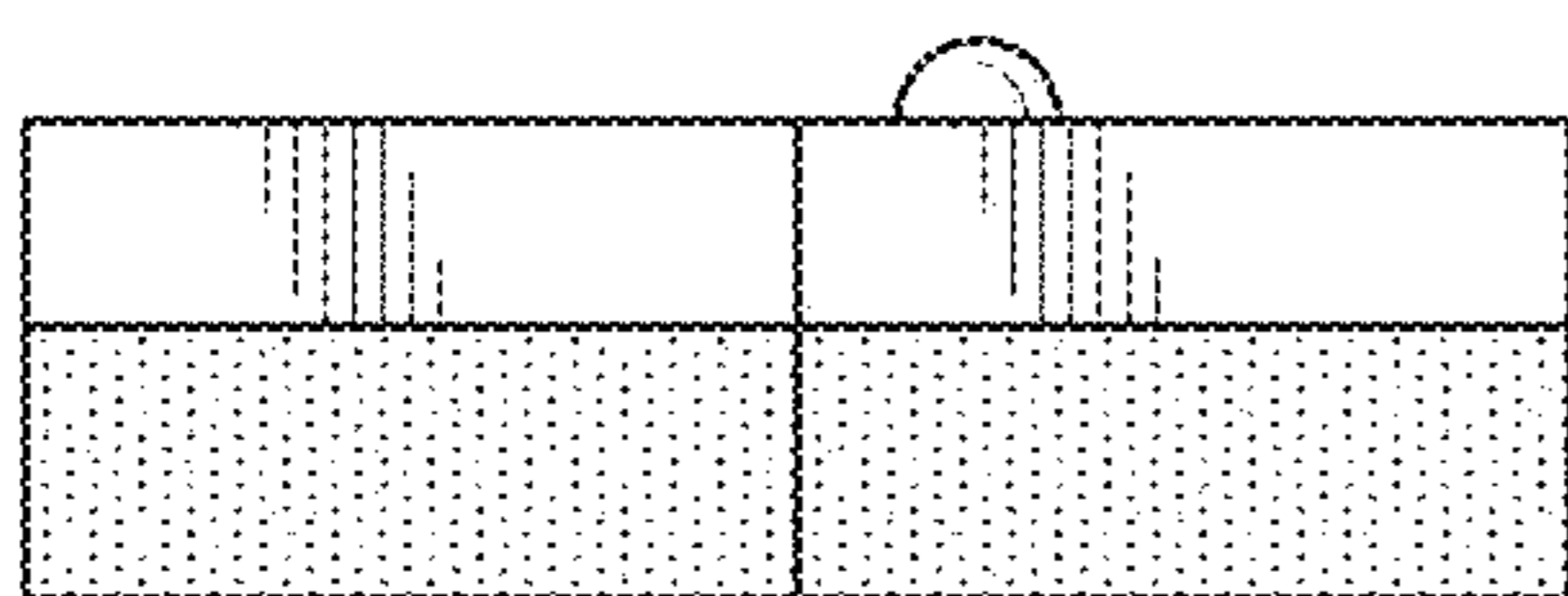


FIG. 90

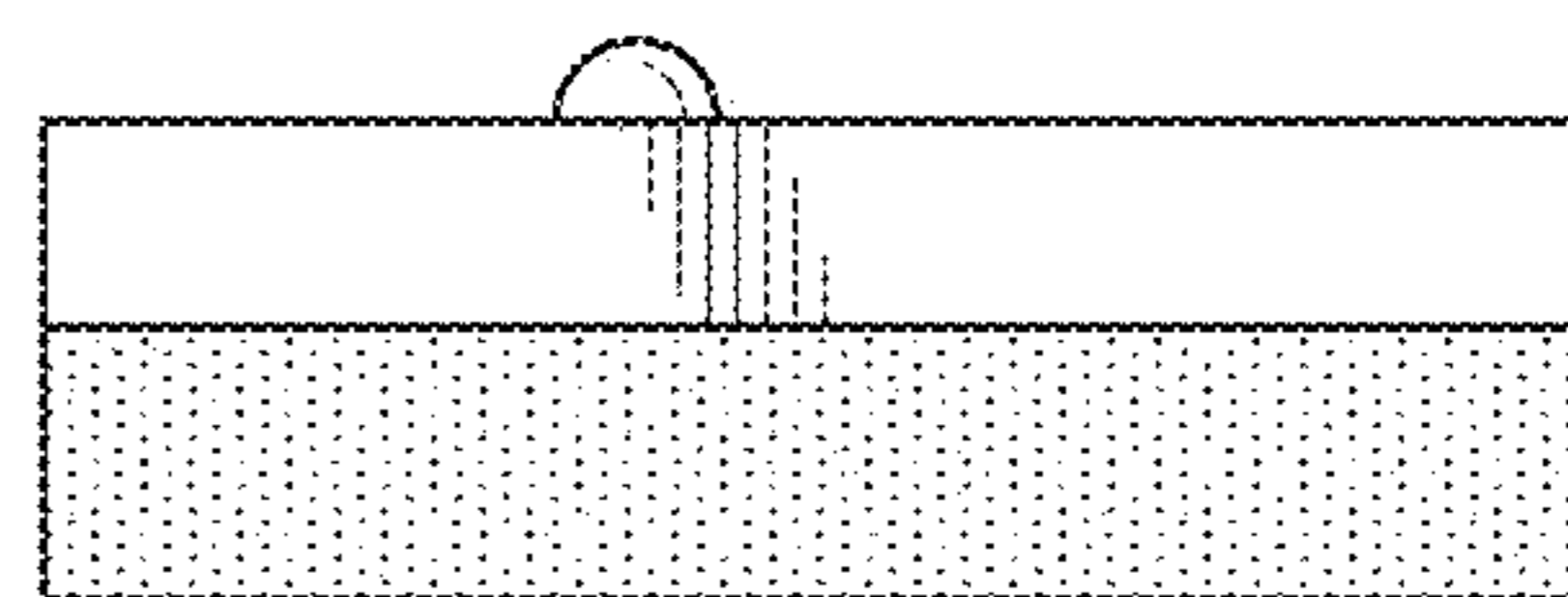


FIG. 91

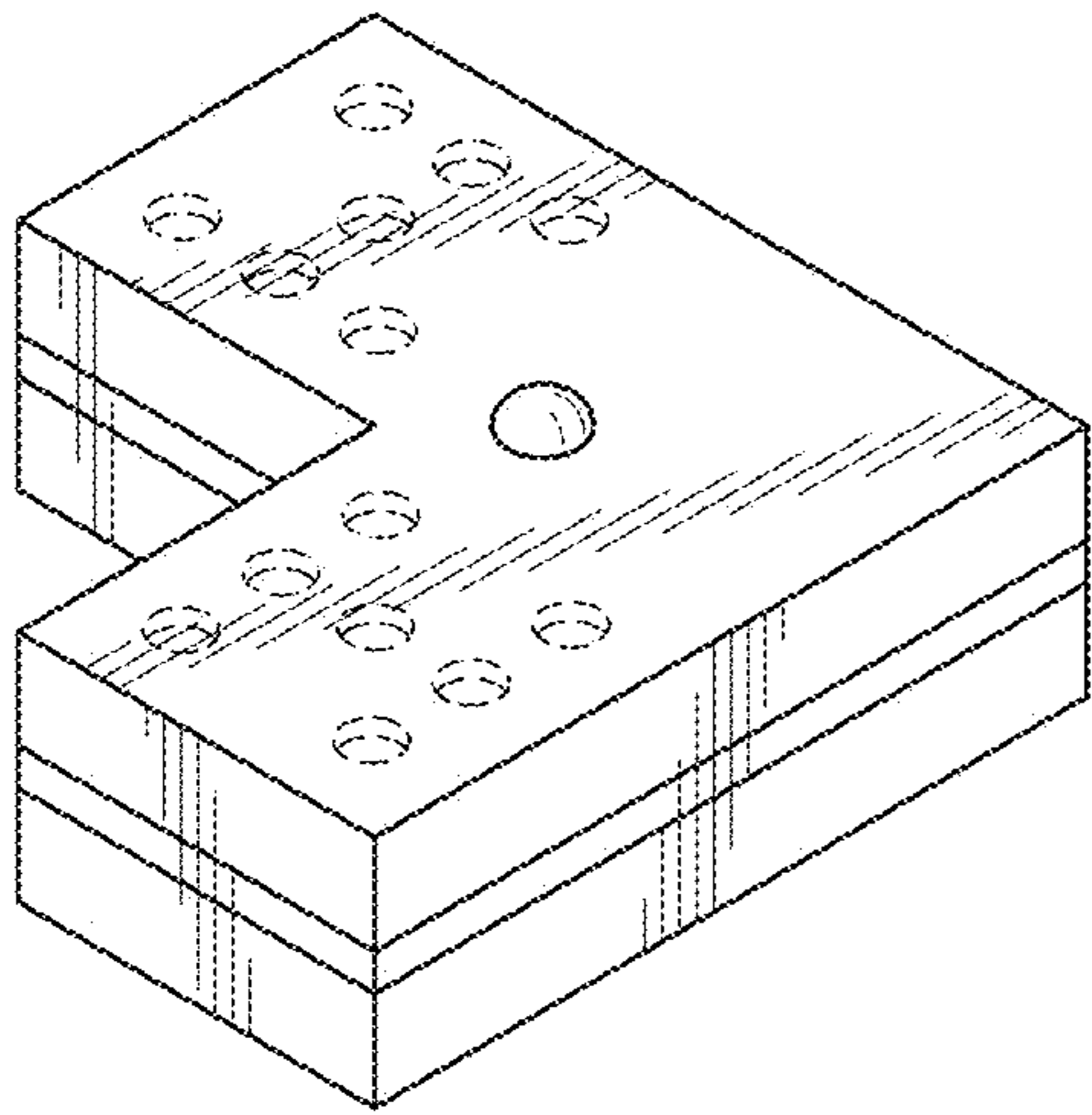


FIG. 92

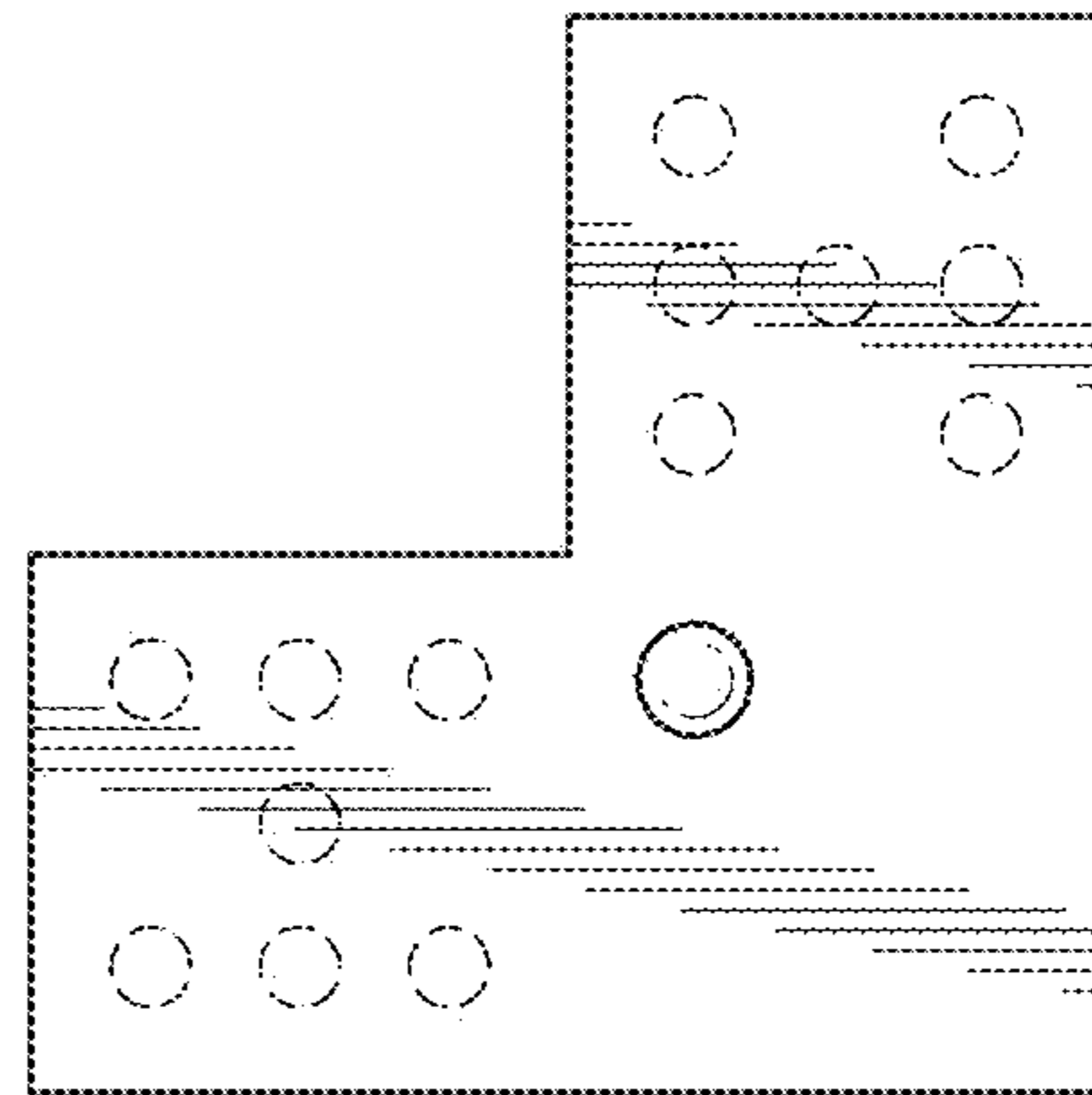


FIG. 93

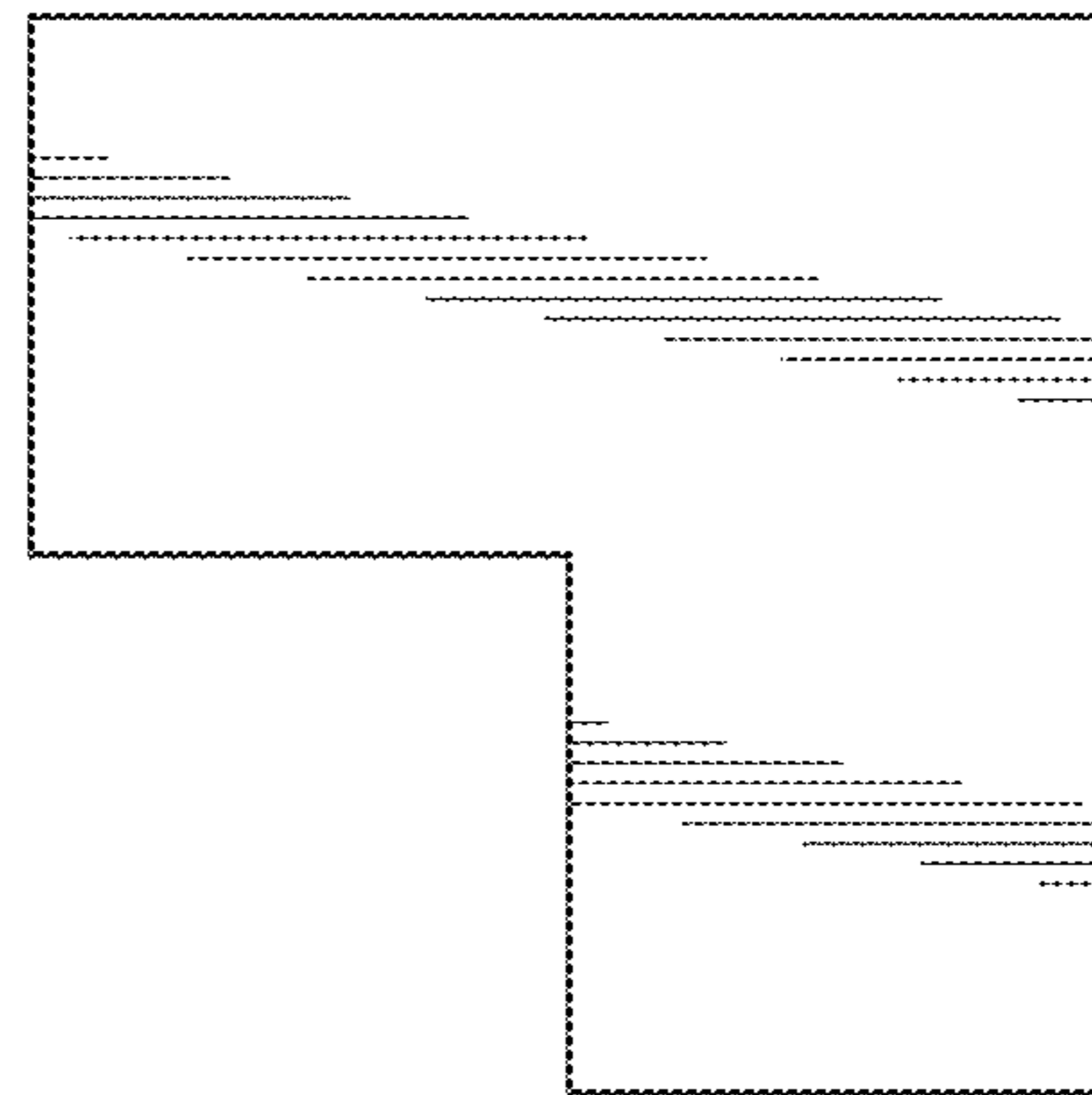


FIG. 94

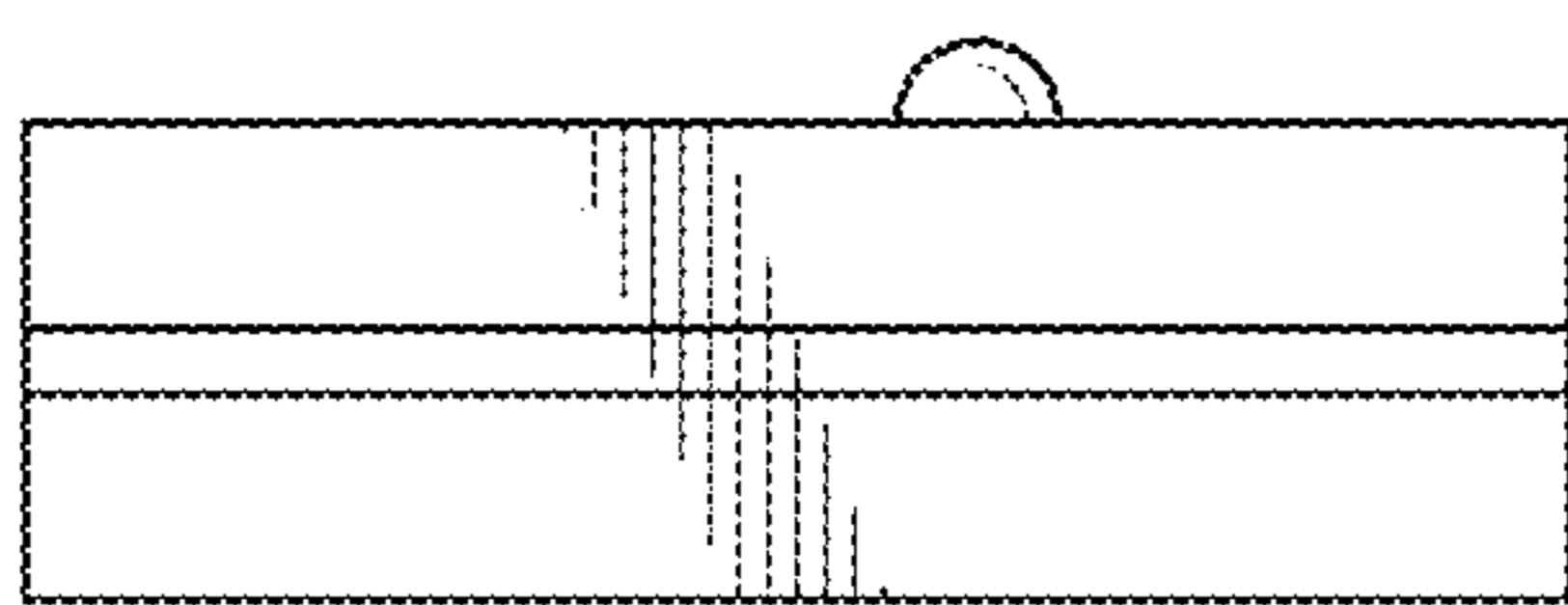


FIG. 95

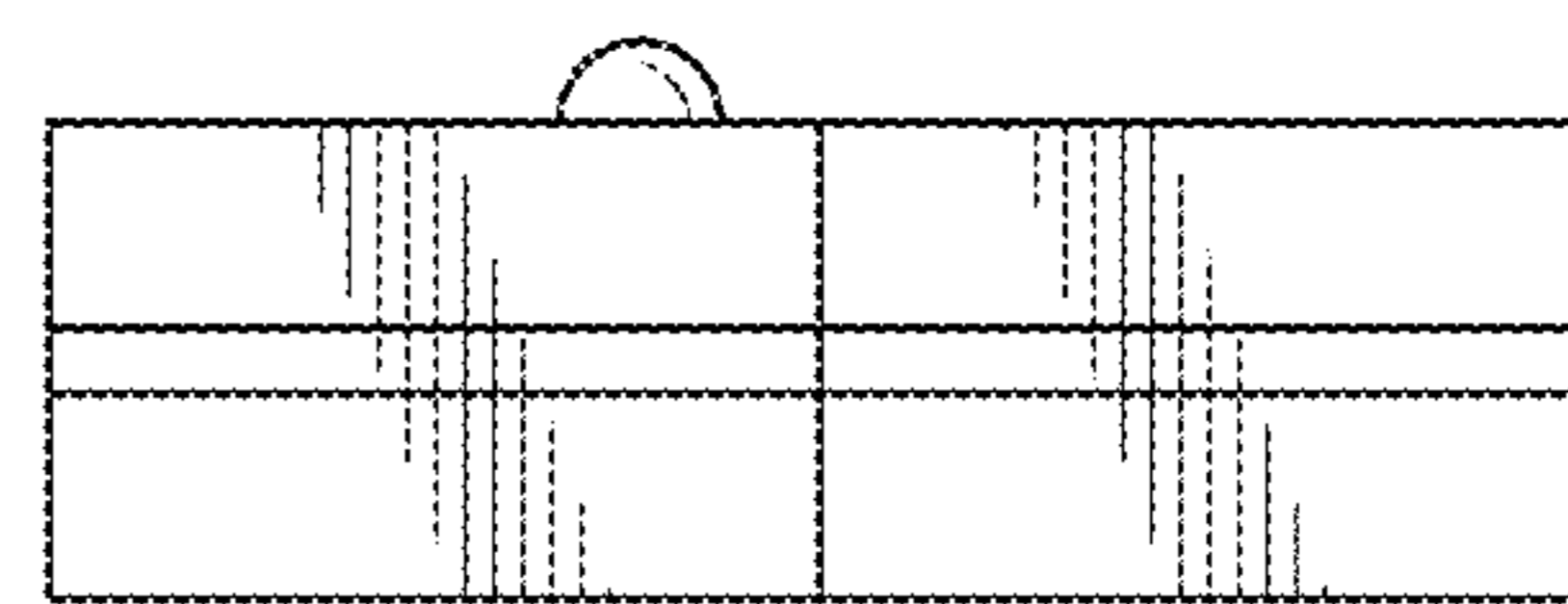


FIG. 96

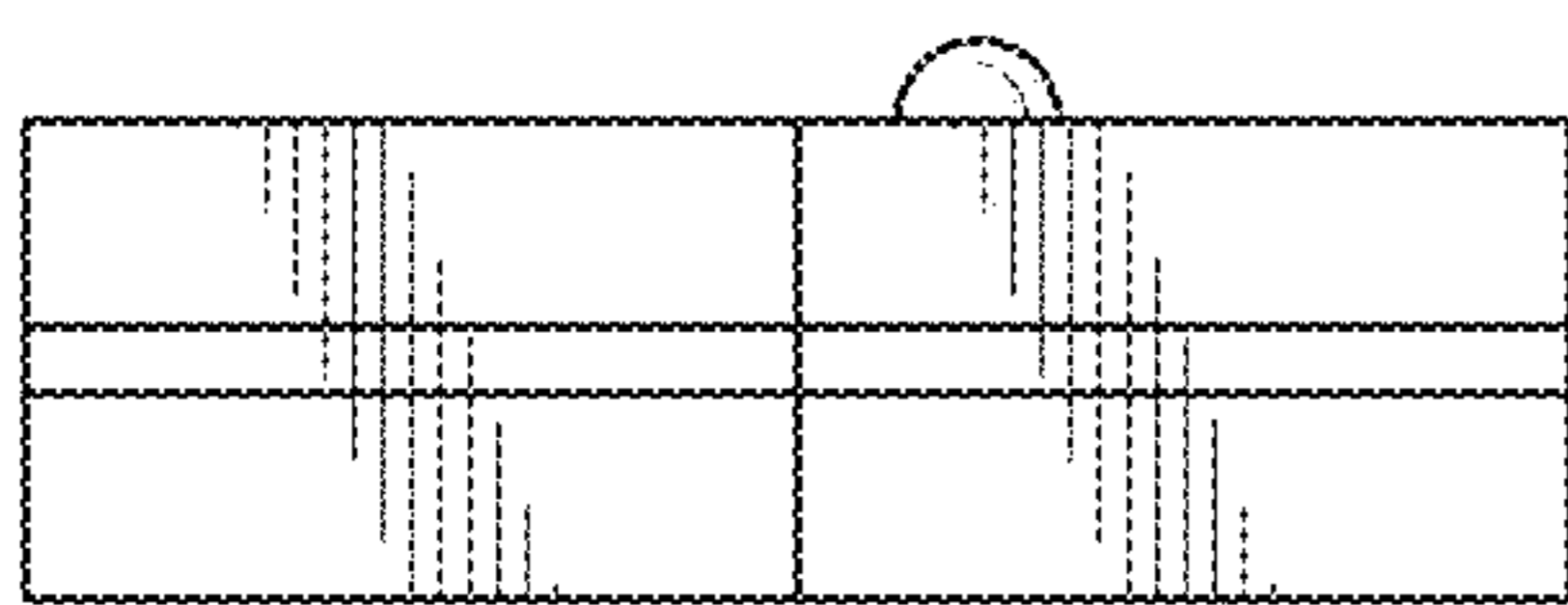


FIG. 97

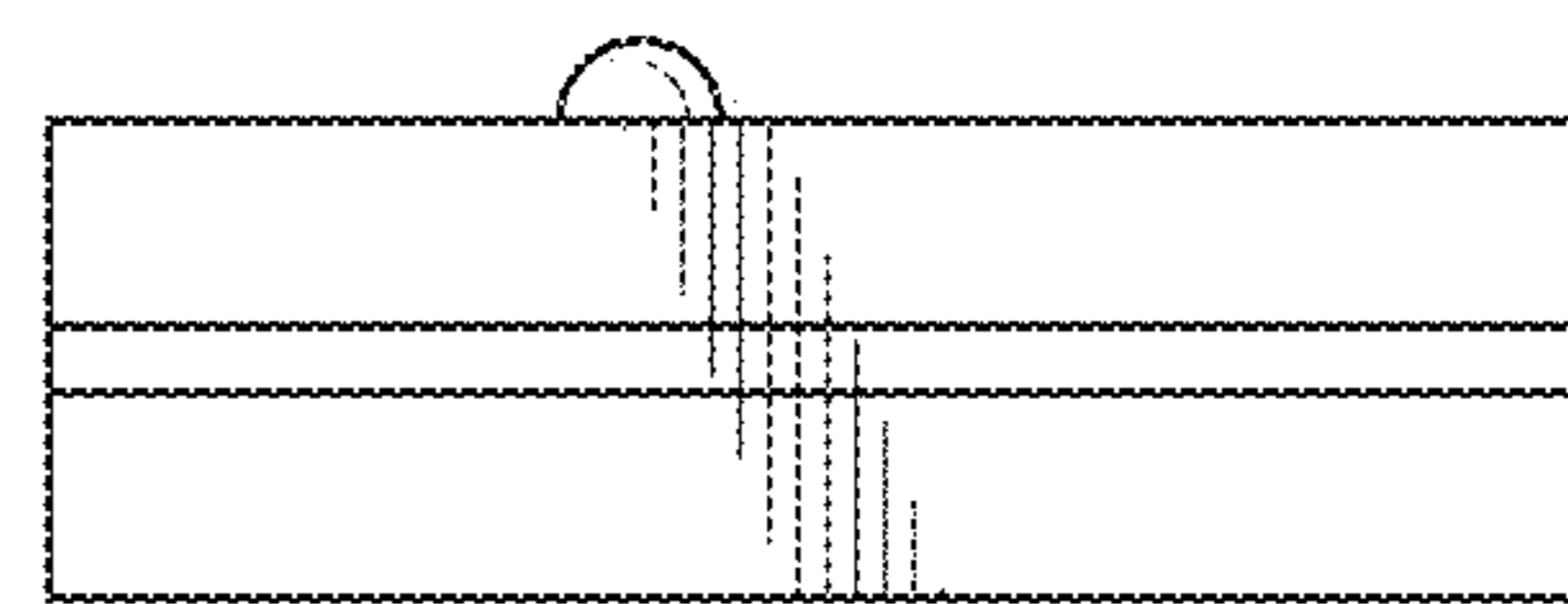


FIG. 98

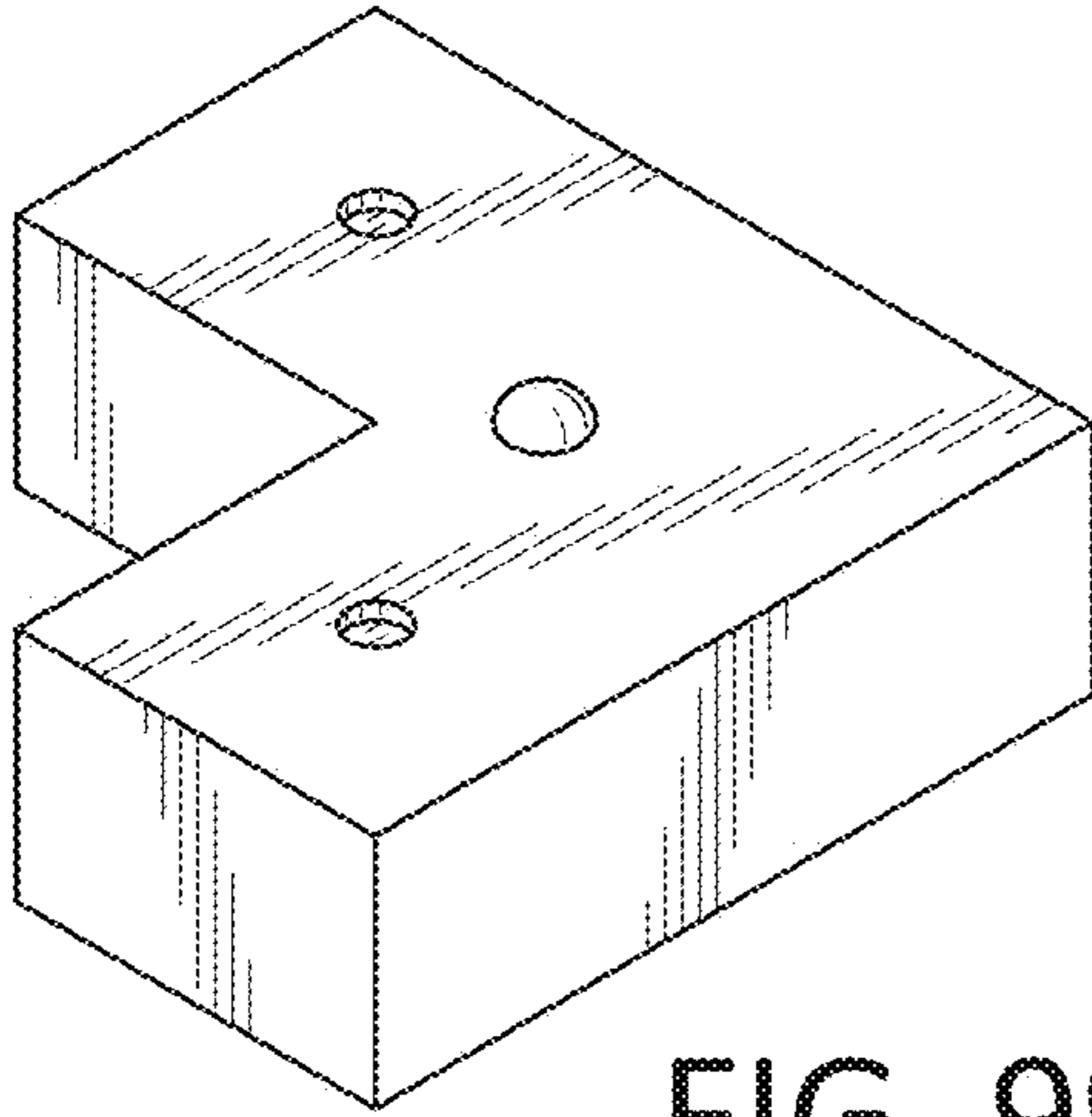


FIG. 99

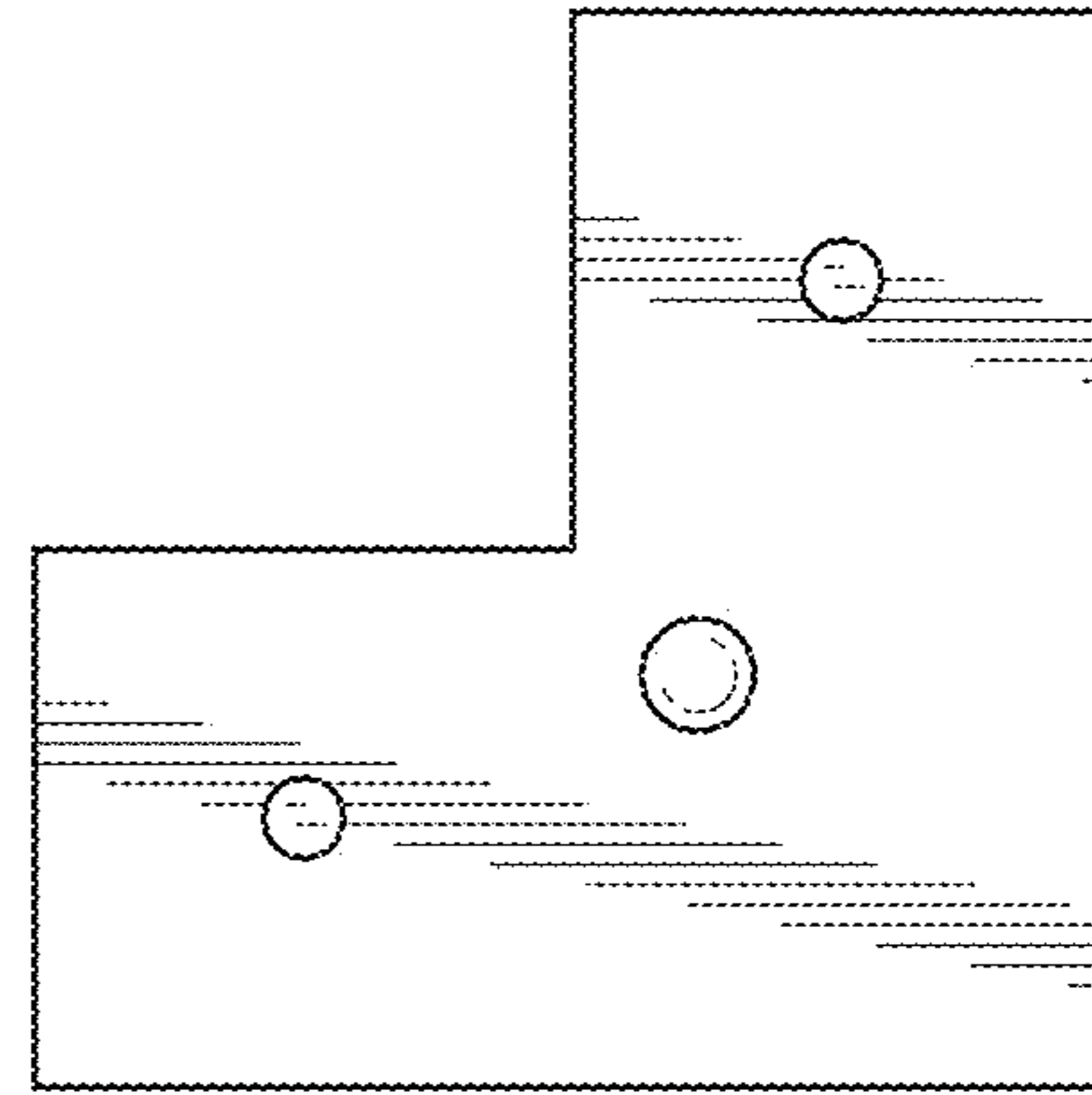


FIG. 100

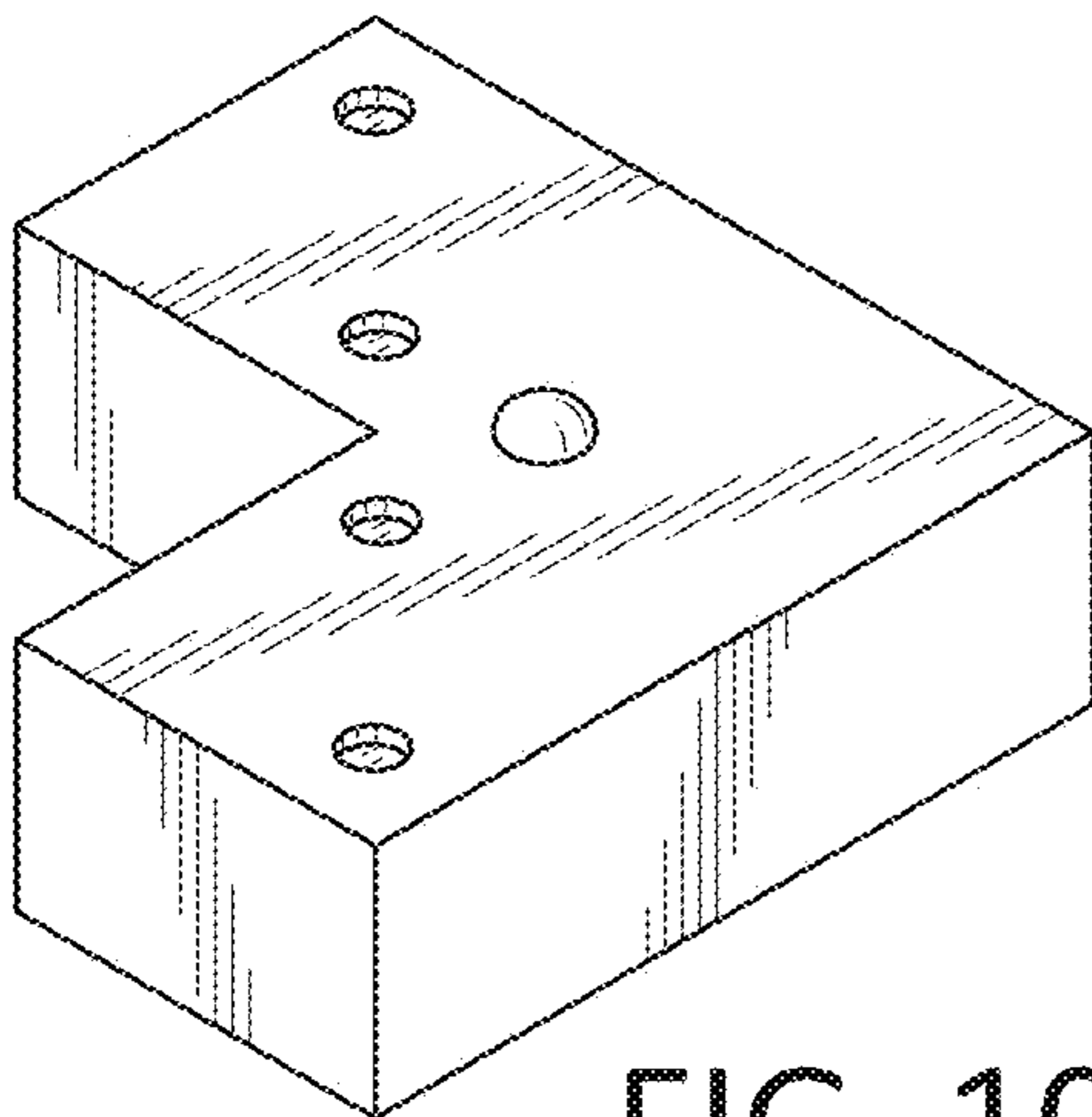


FIG. 101

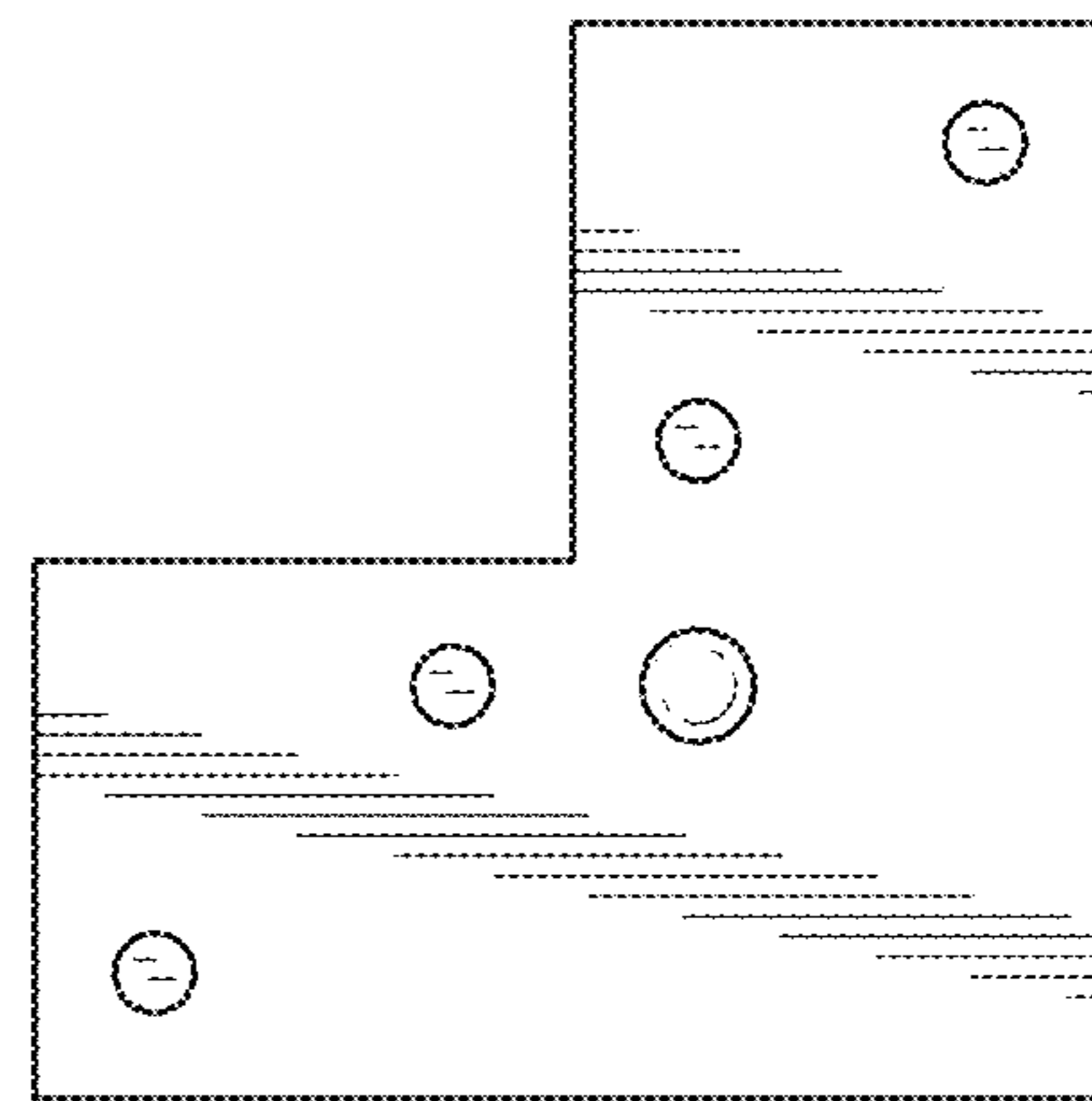


FIG. 102

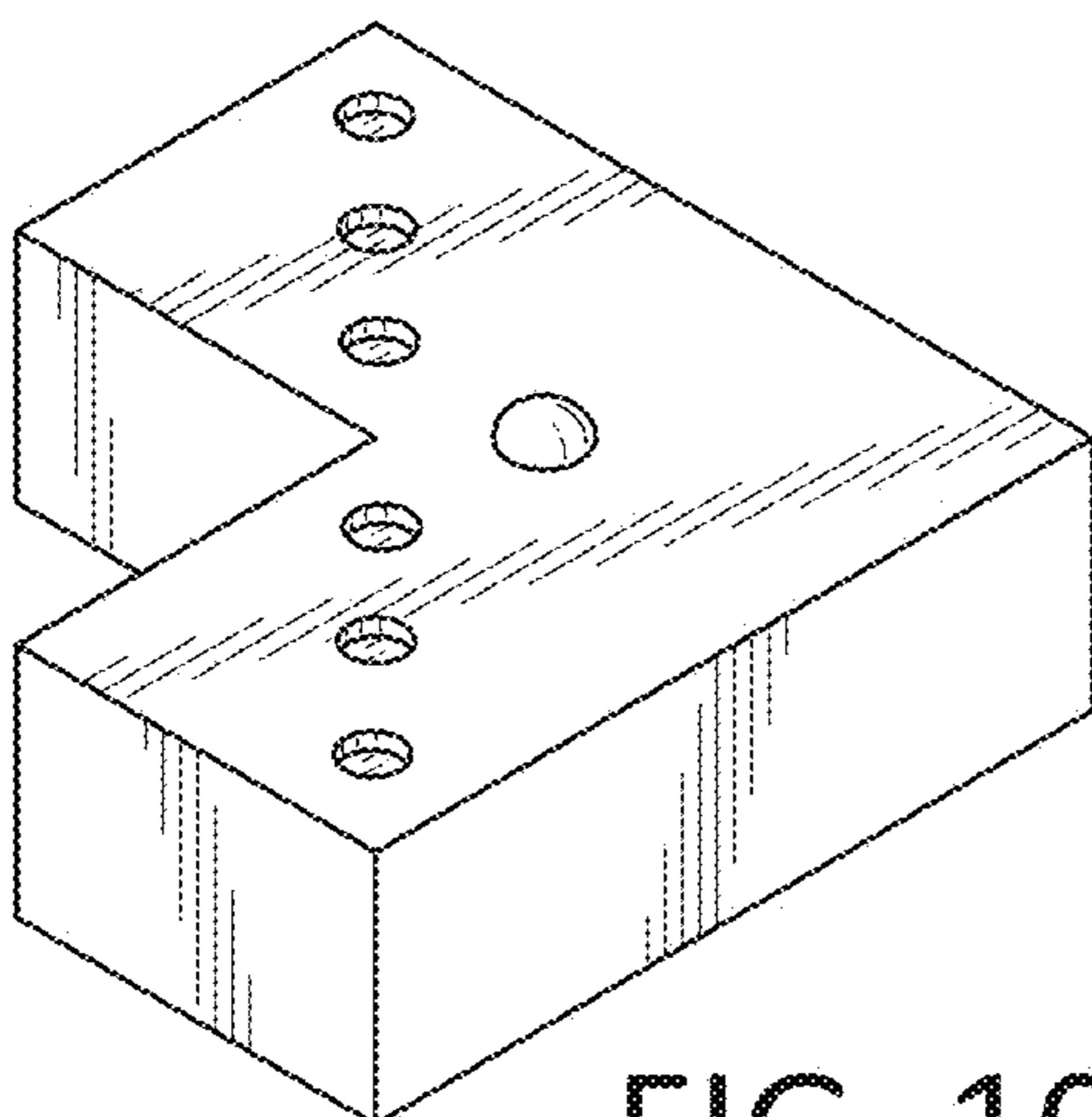


FIG. 103

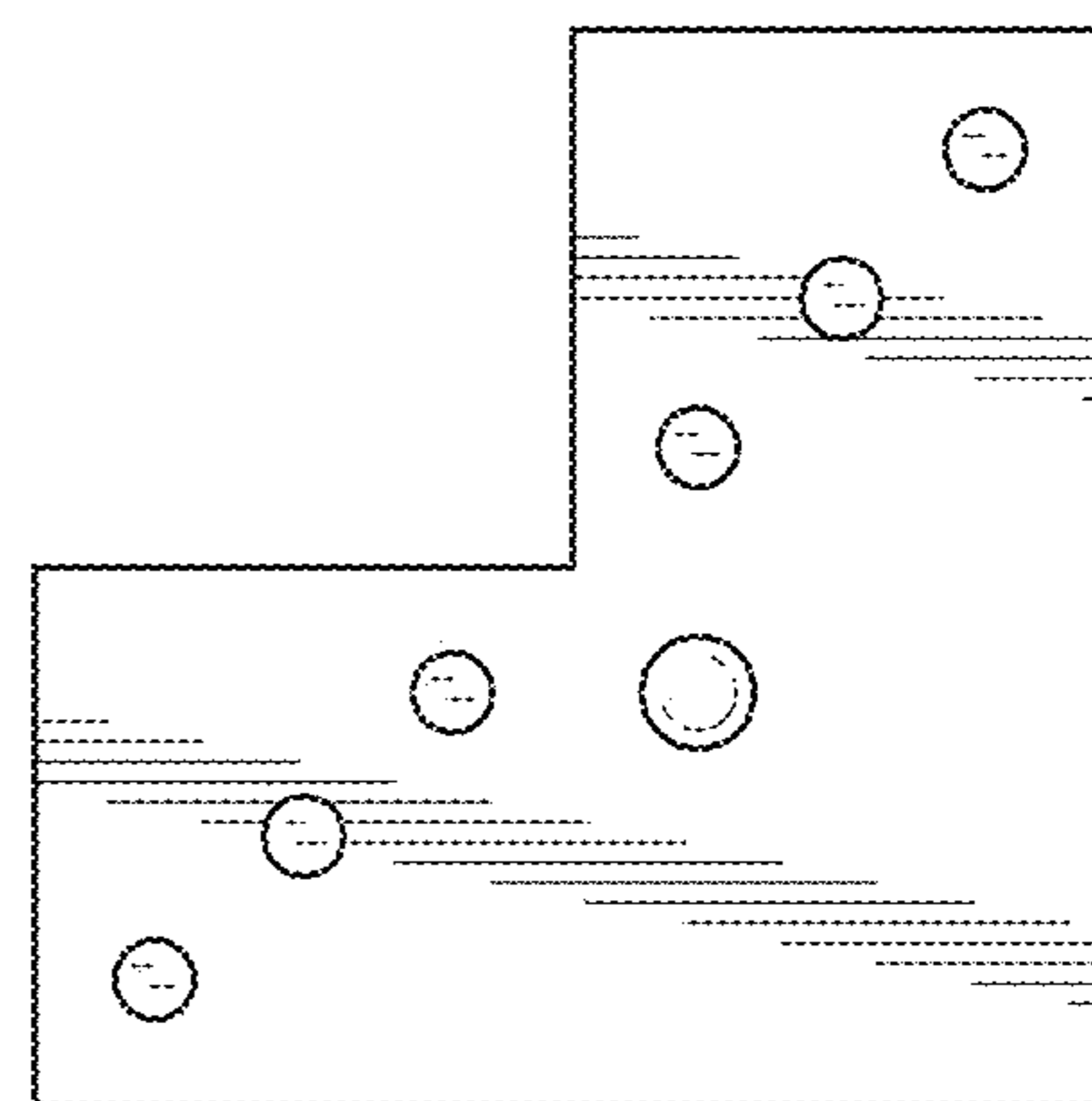


FIG. 104

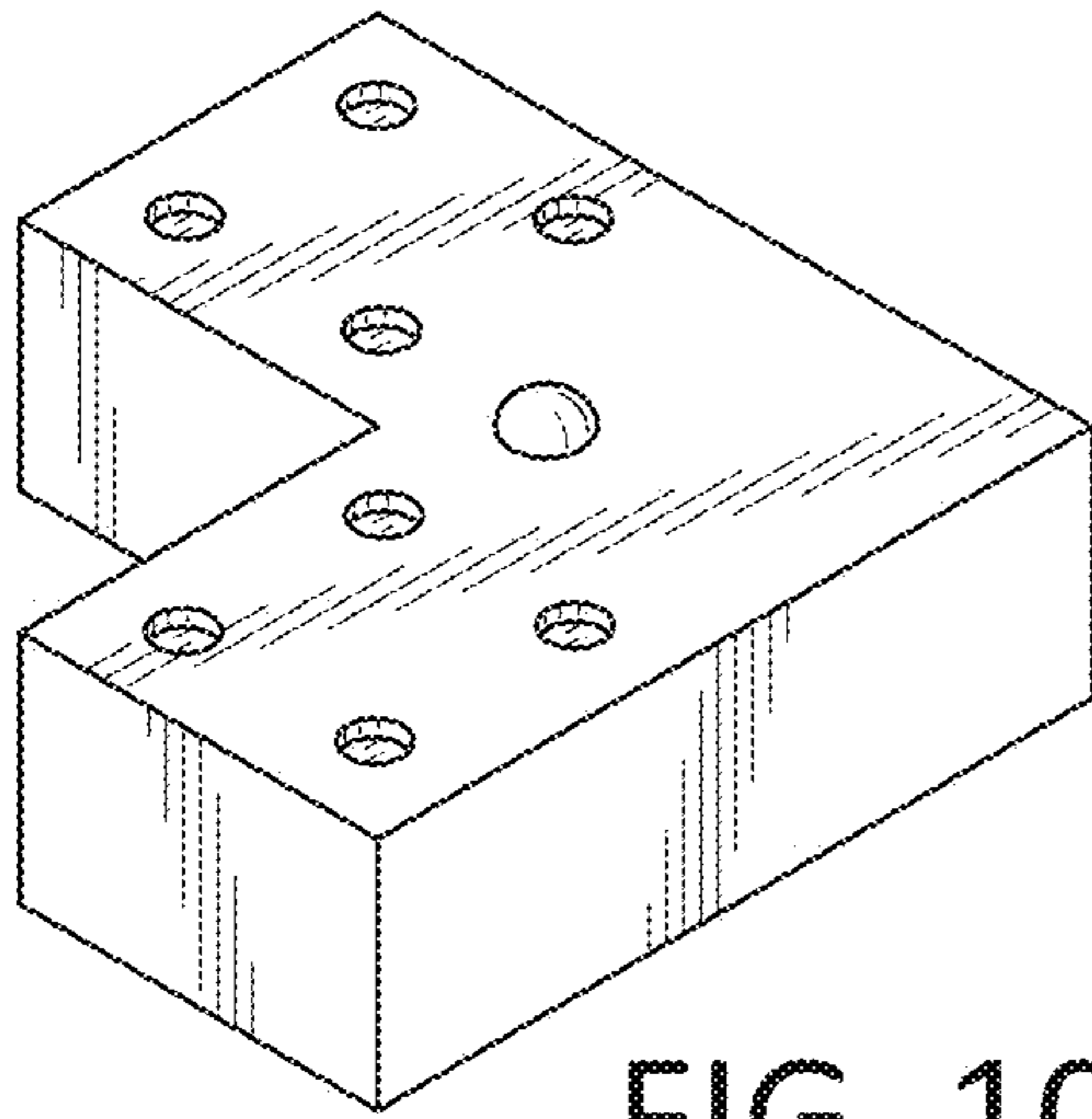


FIG. 105

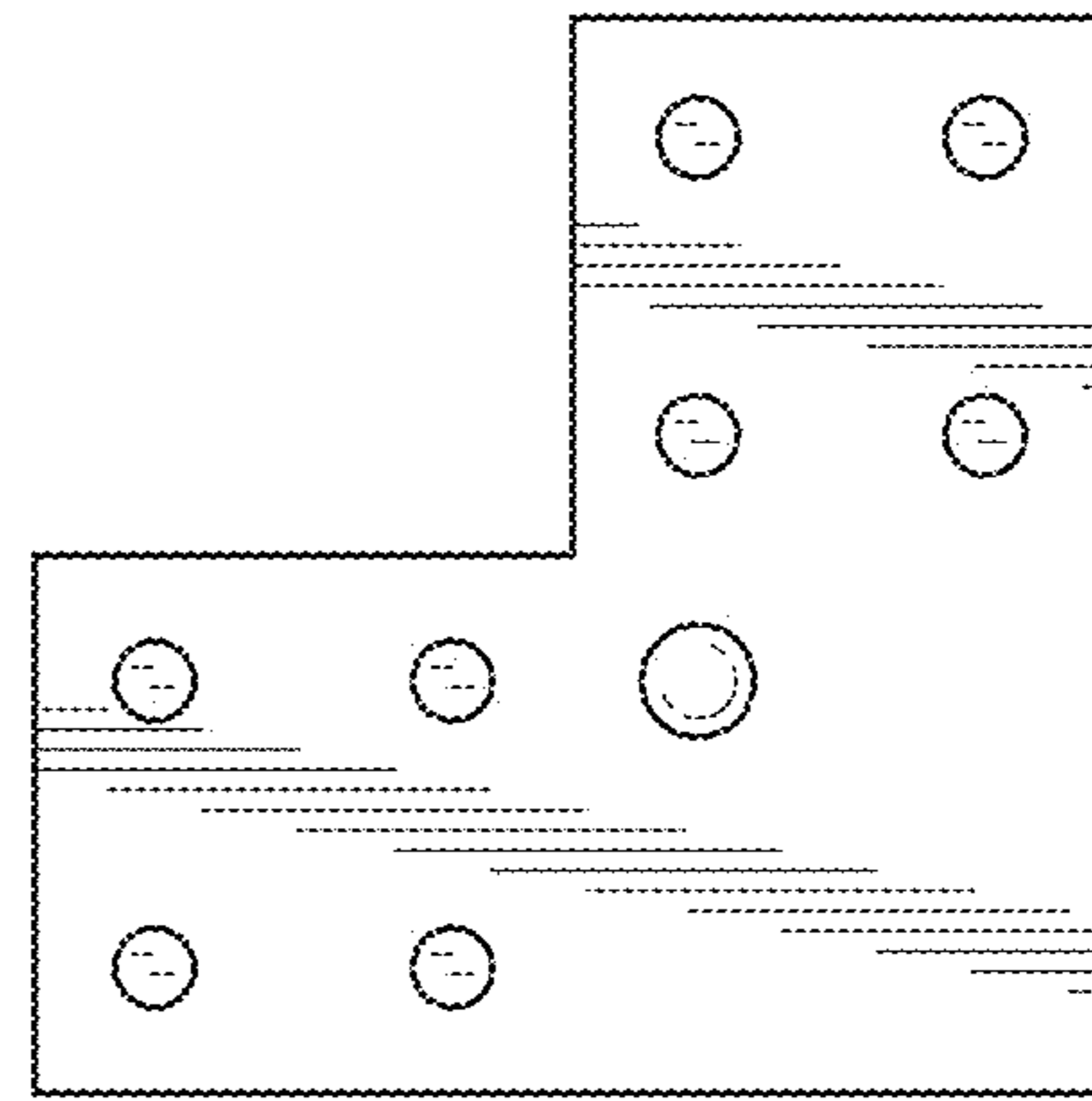


FIG. 106

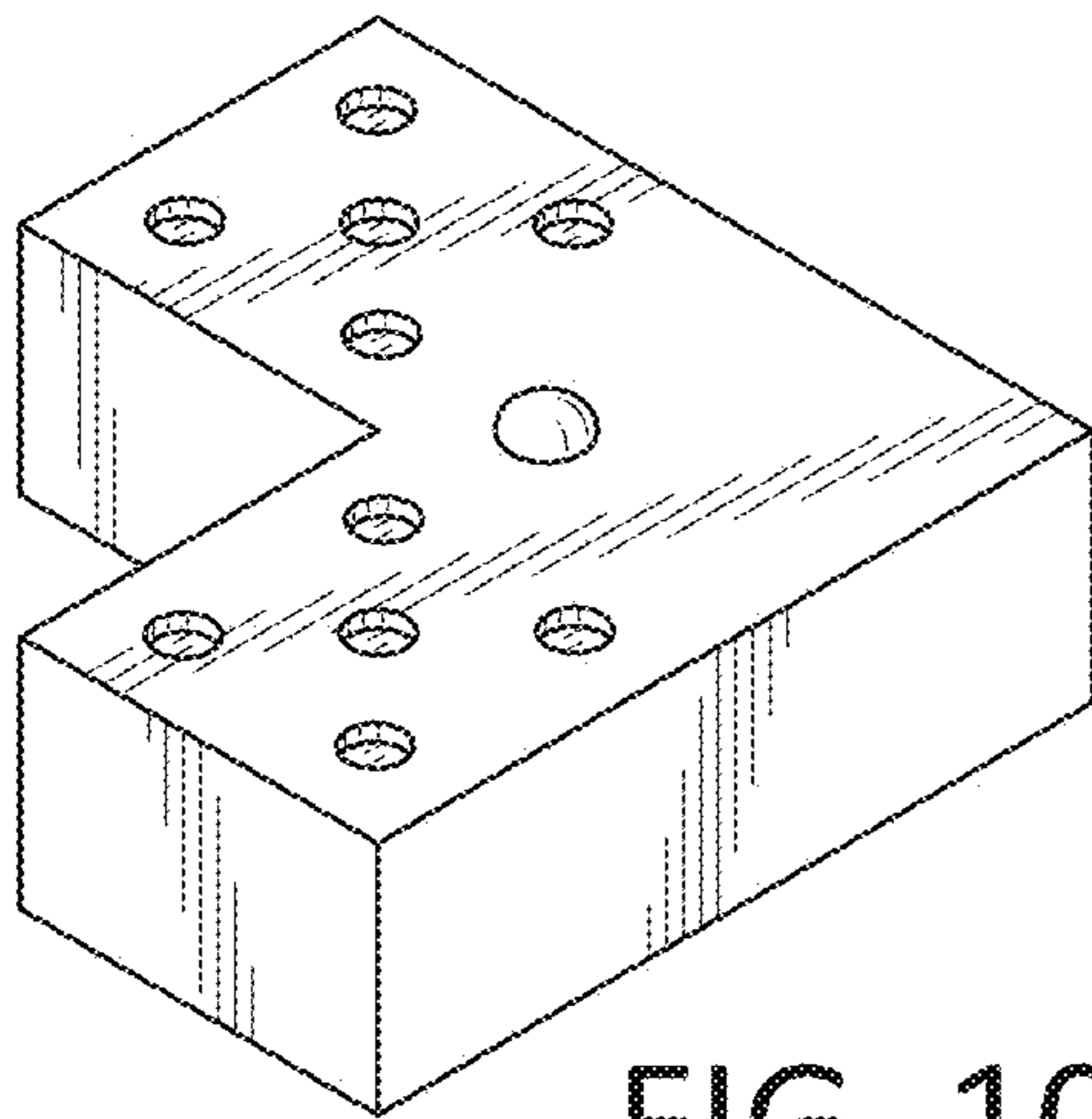


FIG. 107

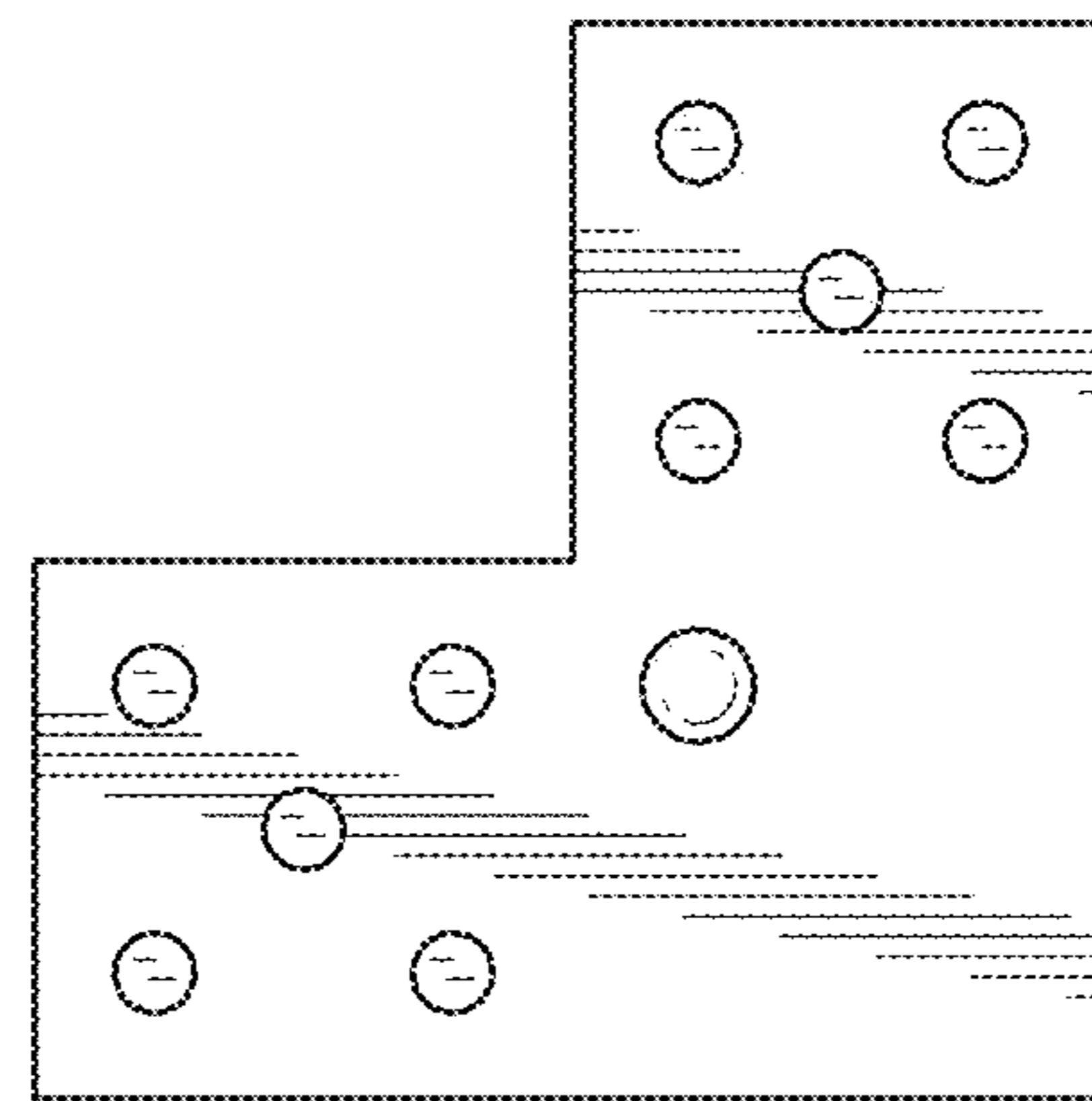


FIG. 108

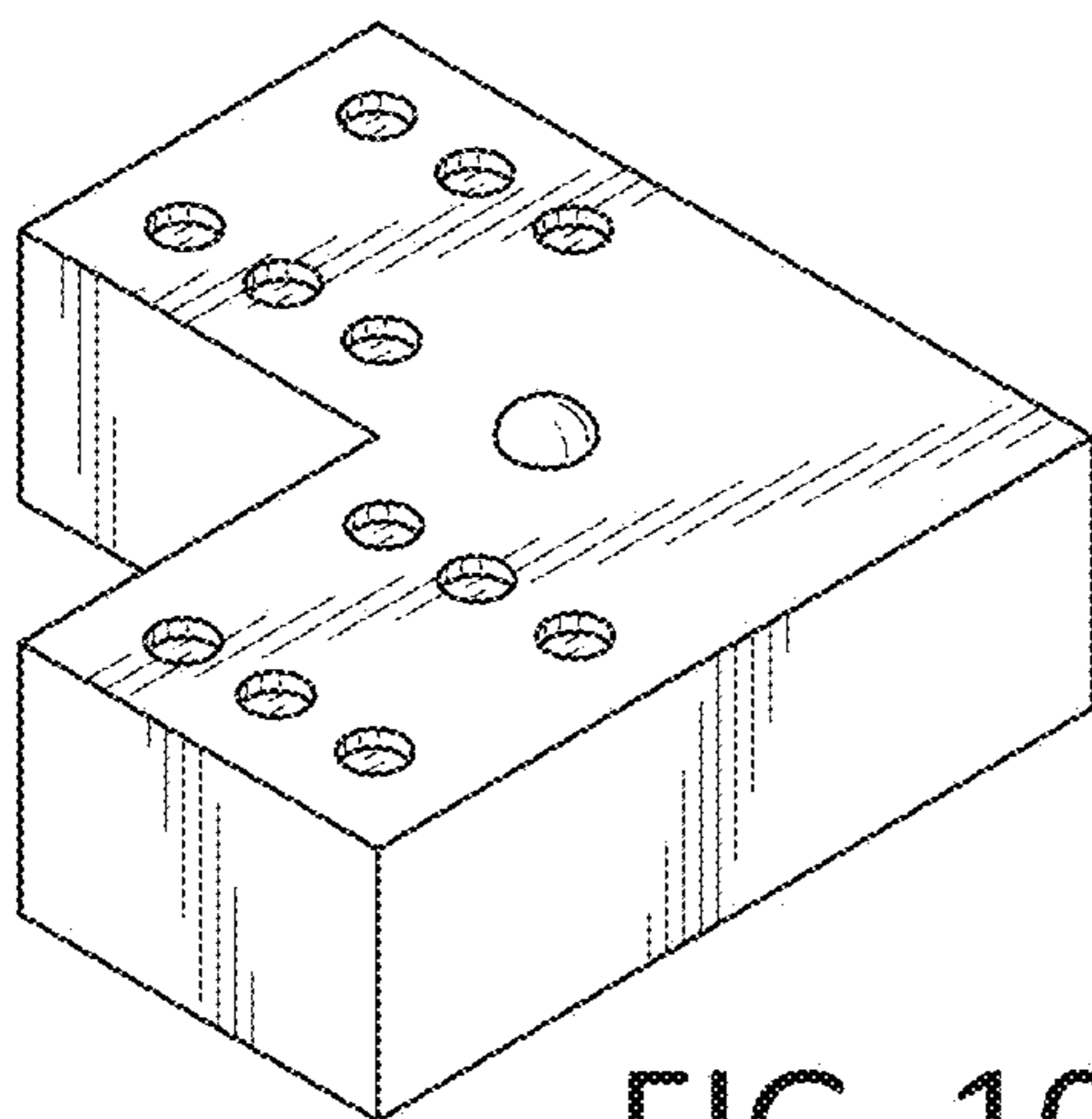


FIG. 109

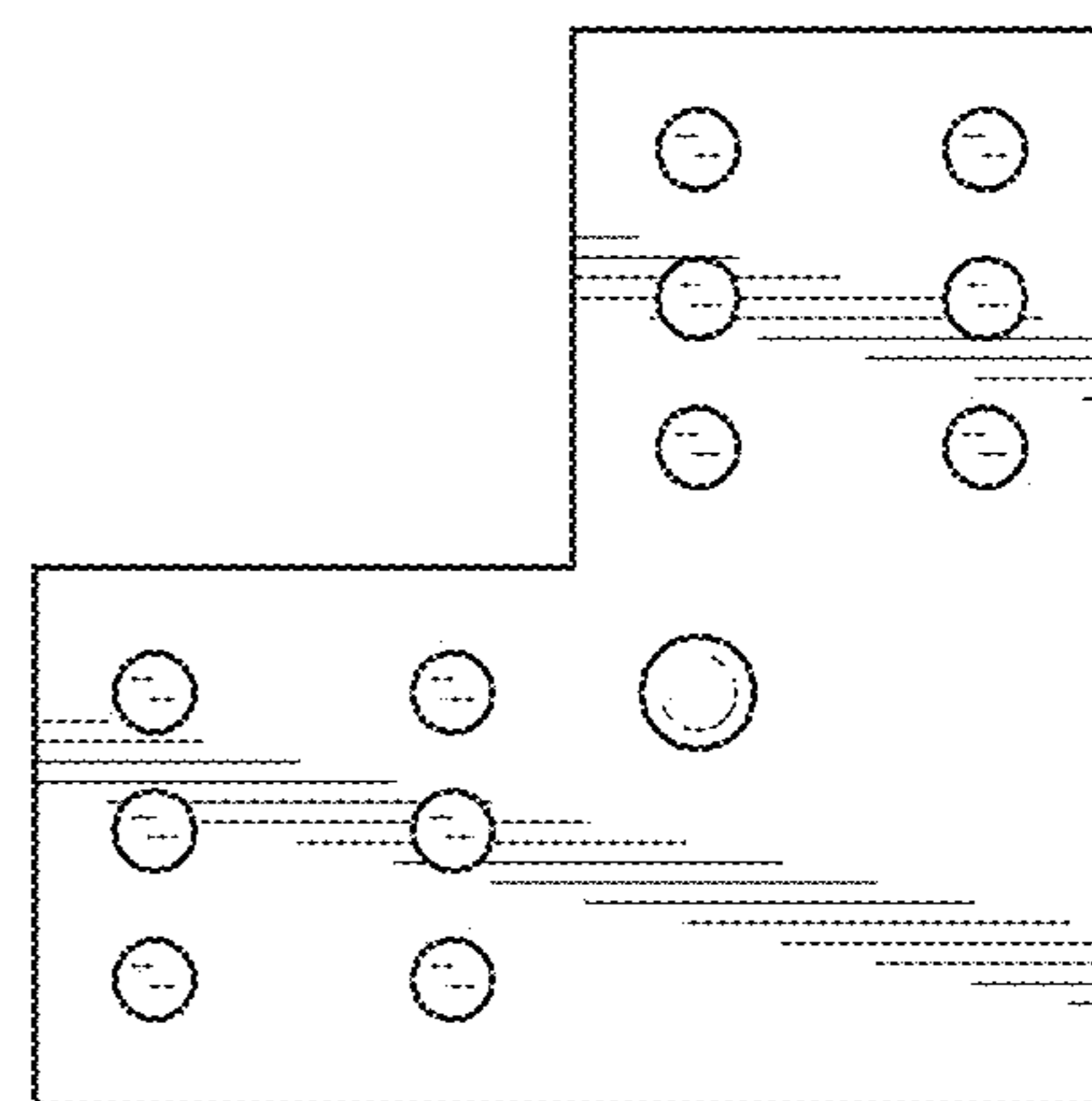


FIG. 110

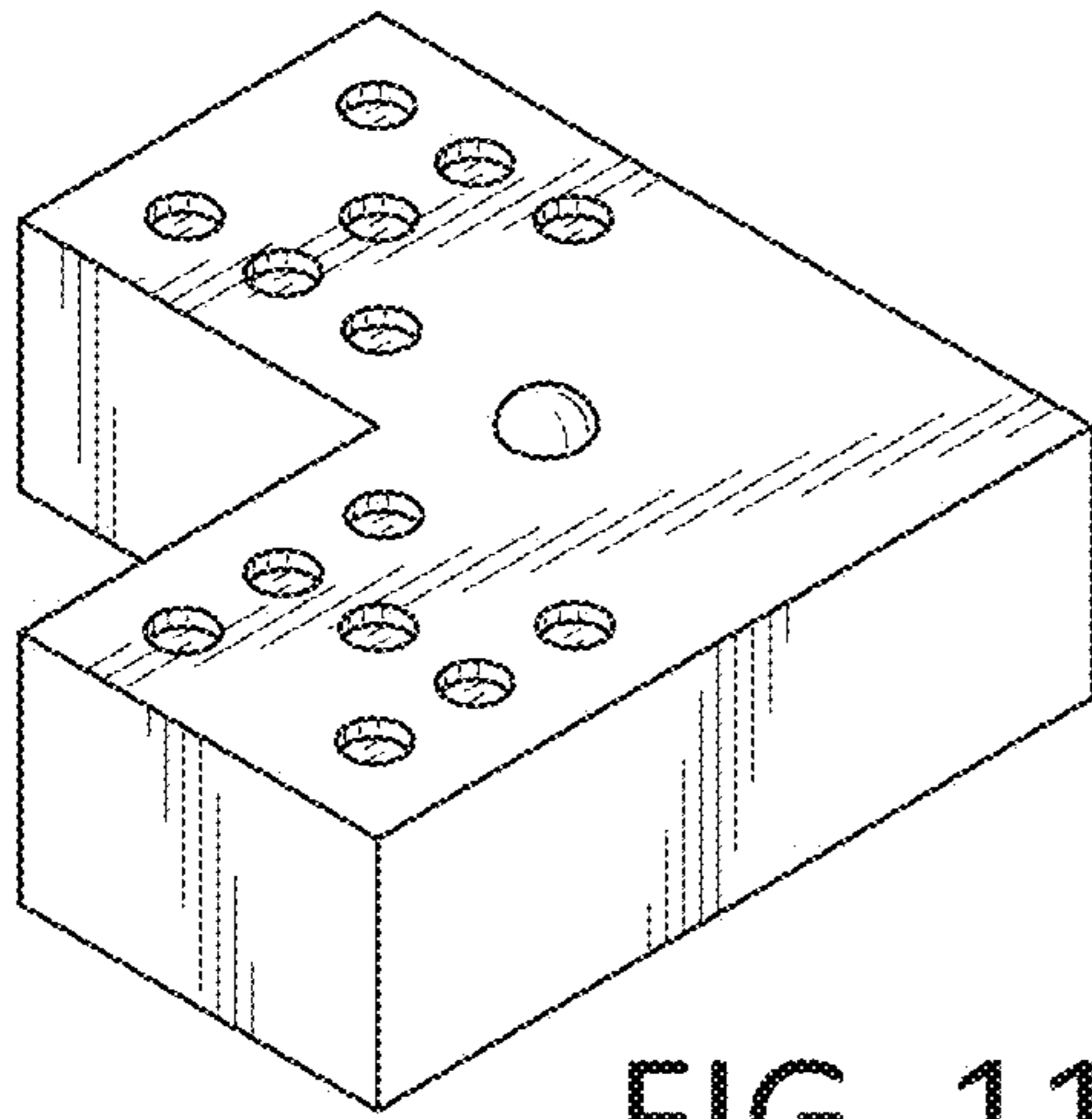


FIG. 111

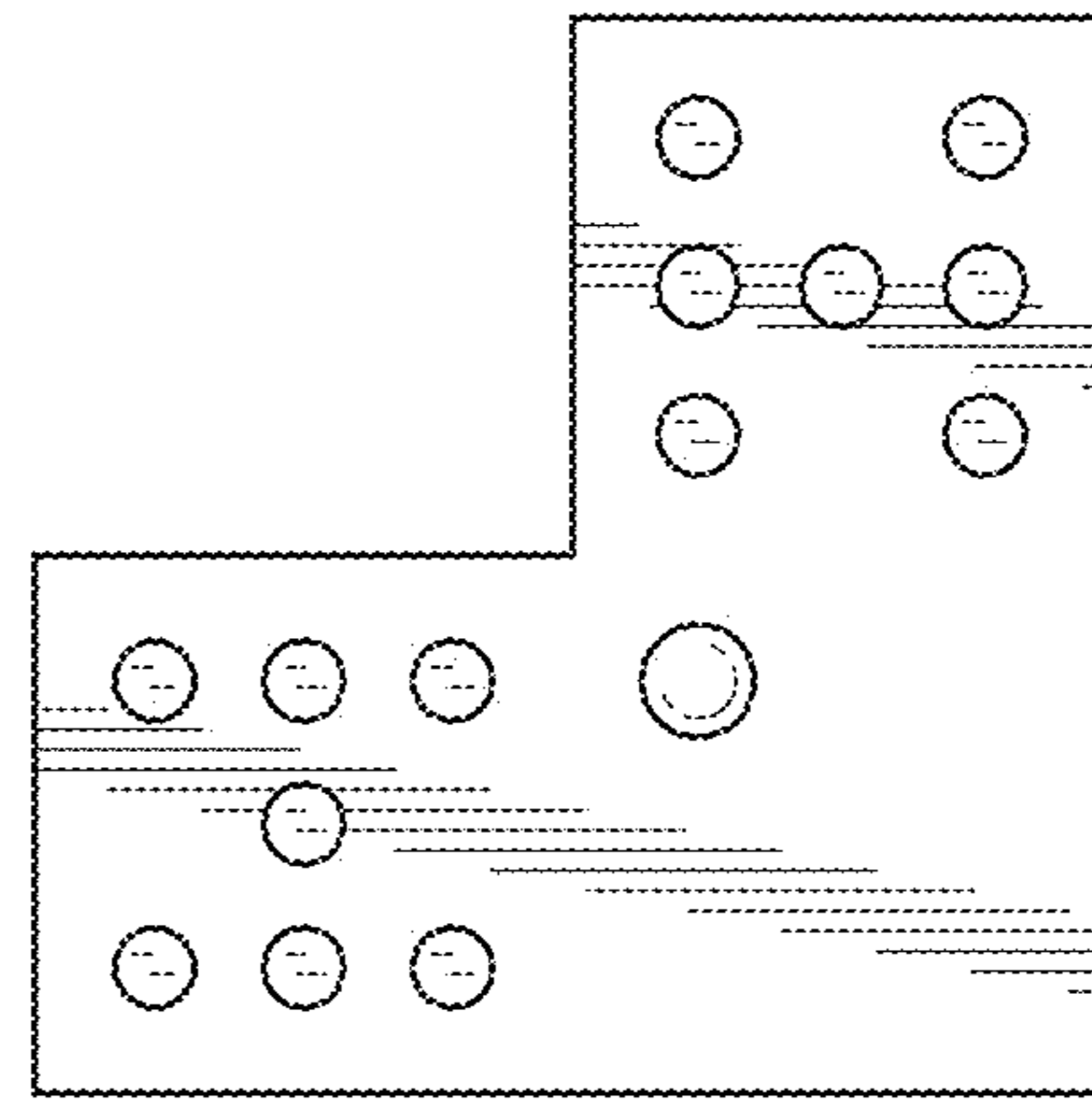


FIG. 112

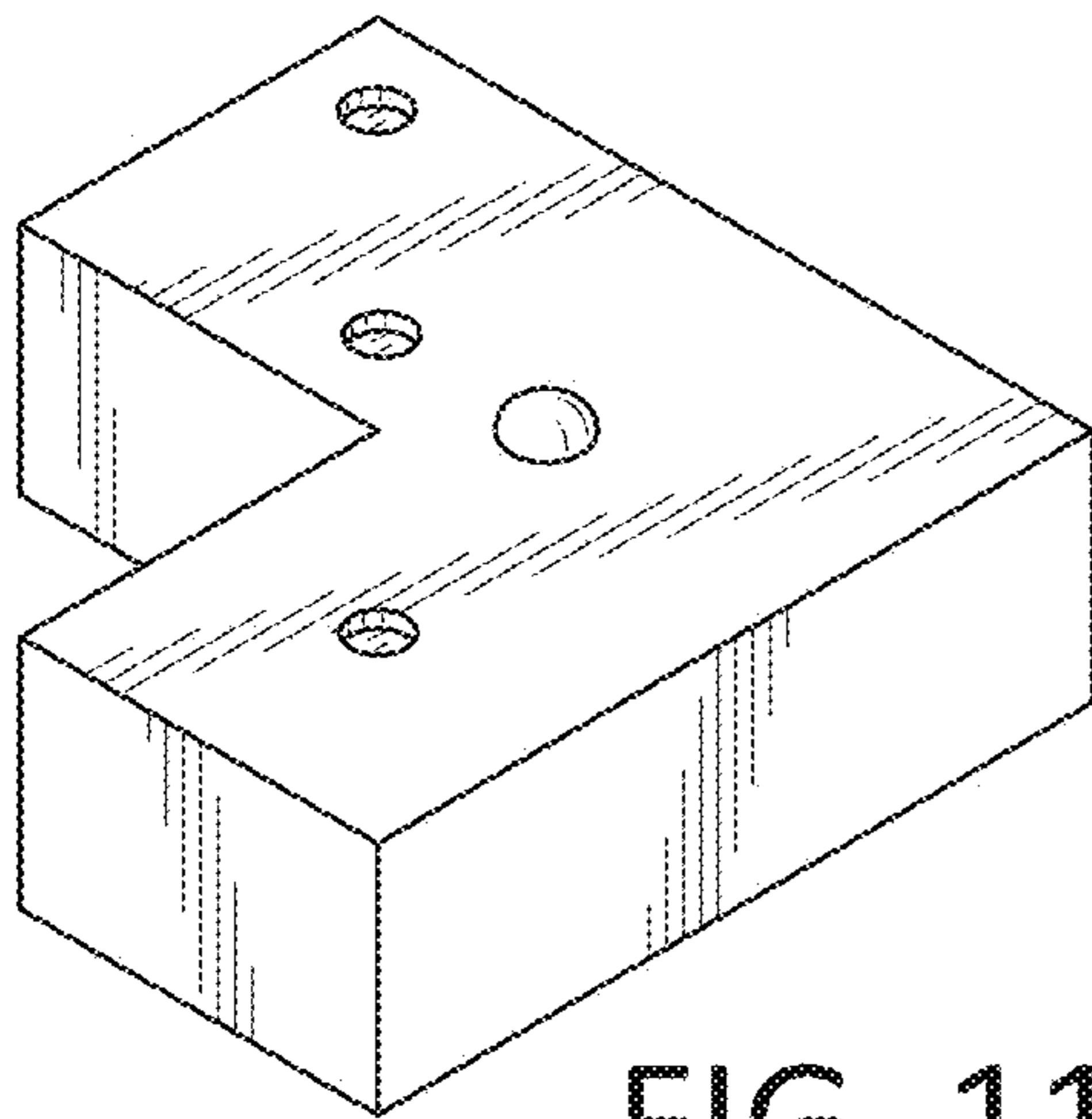


FIG. 113

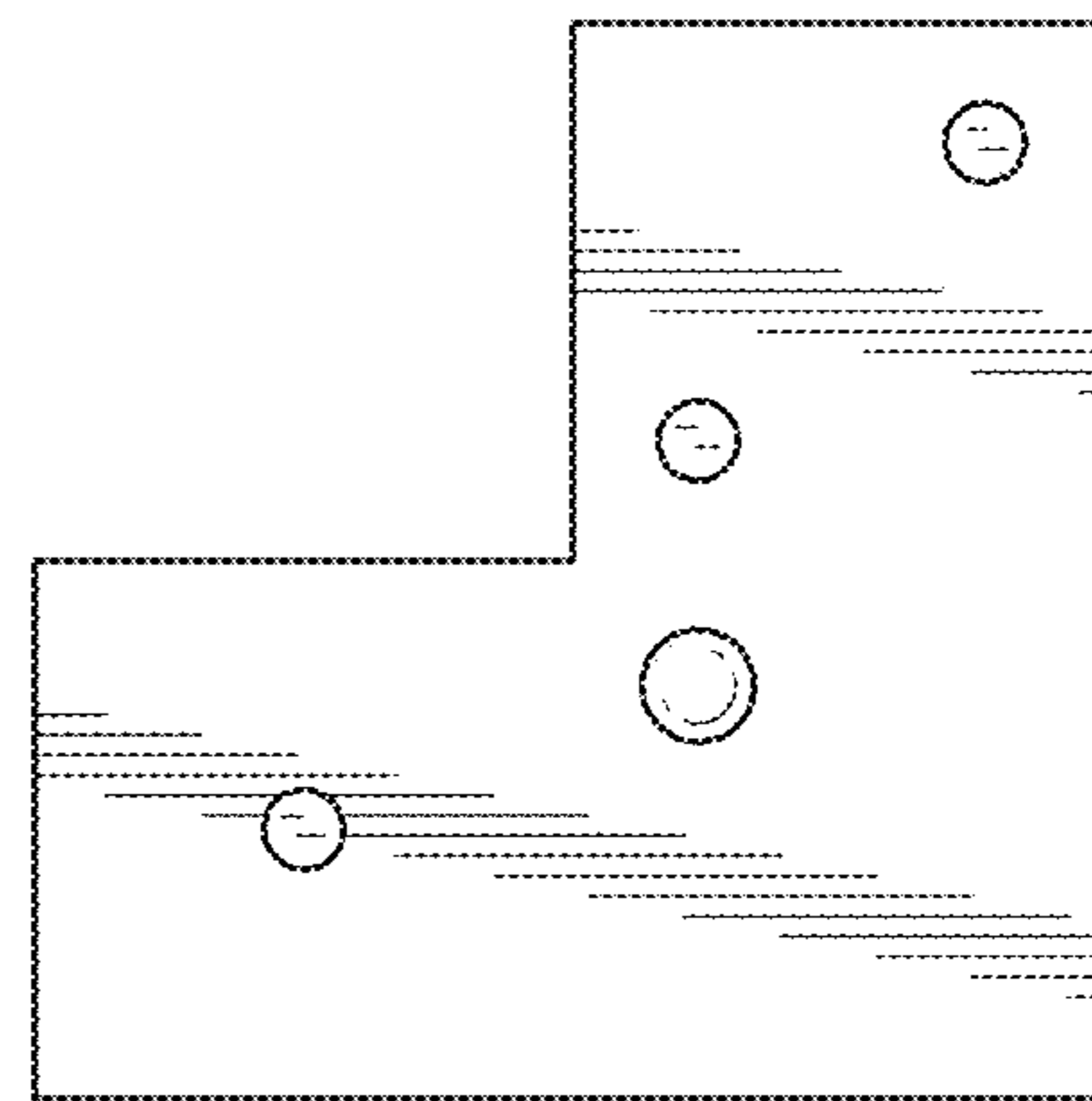


FIG. 114

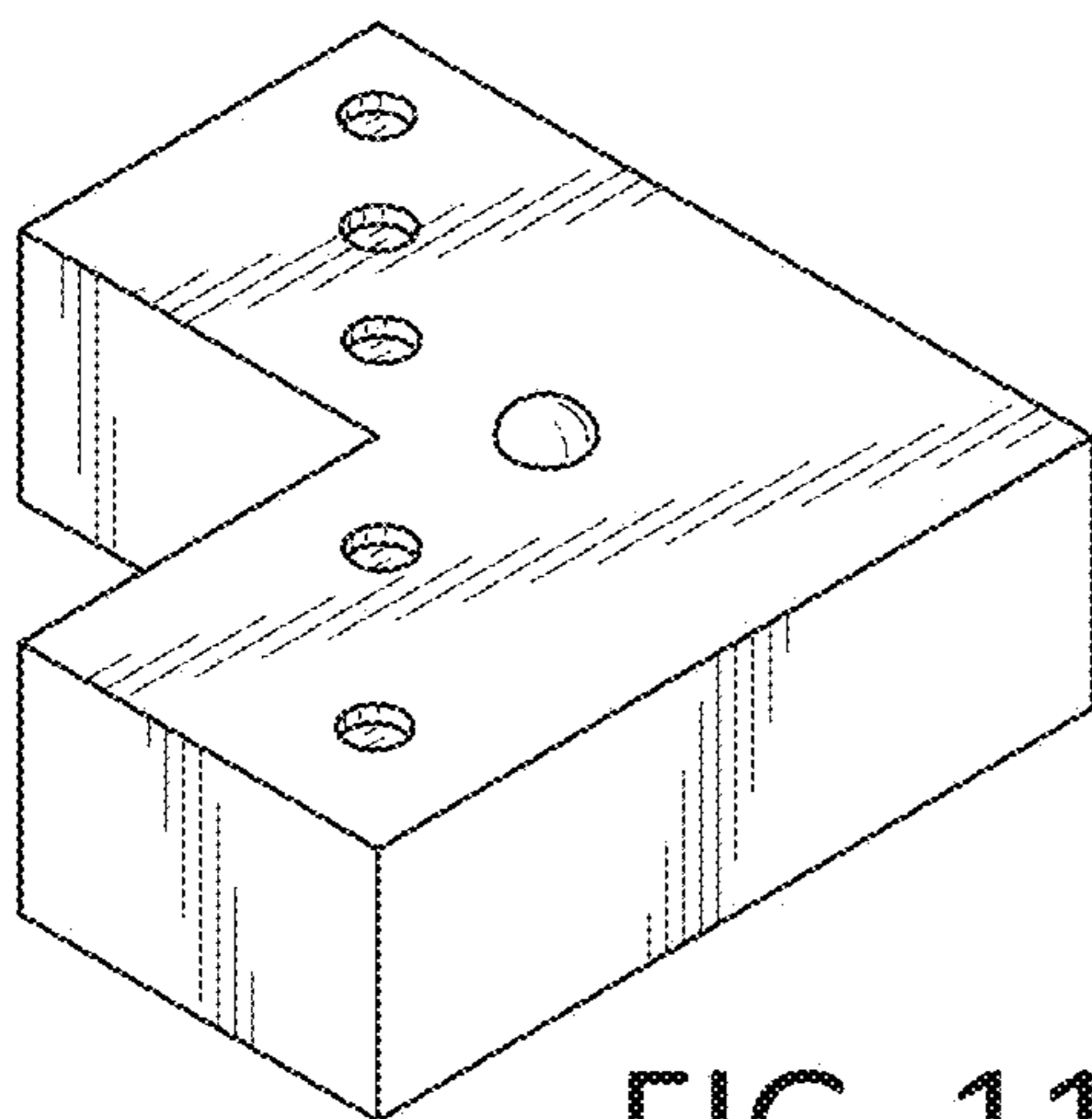


FIG. 115

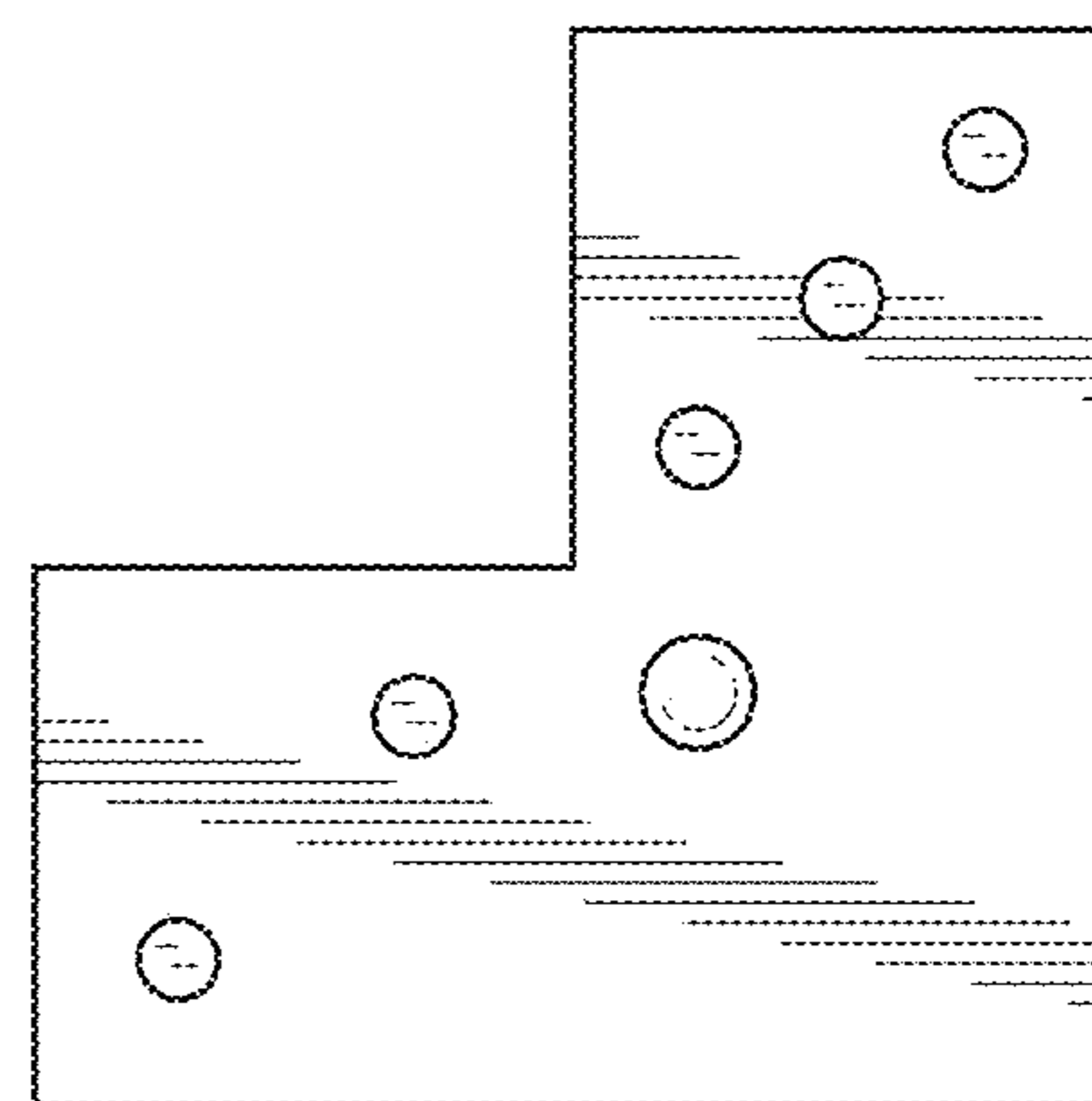


FIG. 116

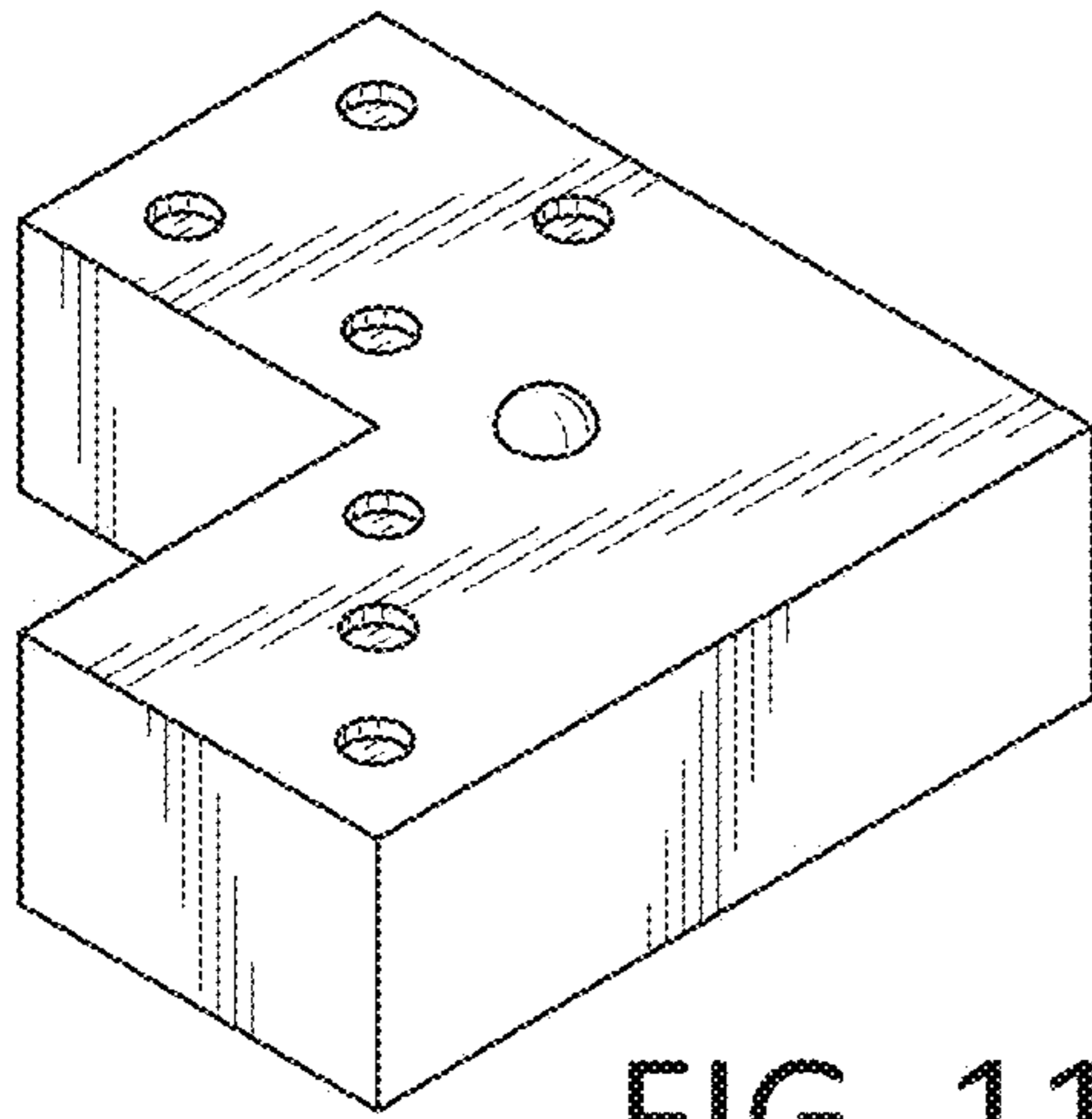


FIG. 117

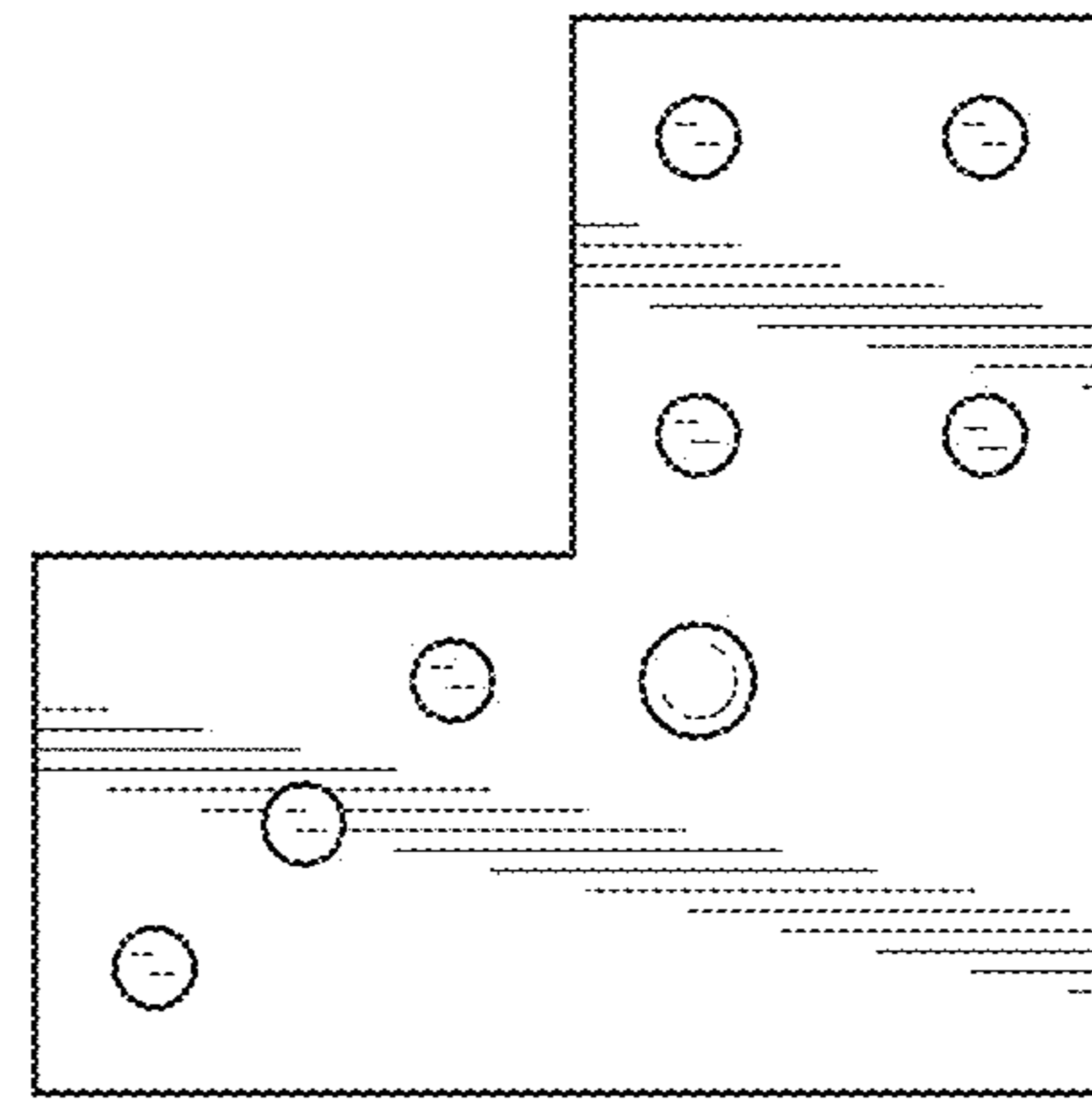


FIG. 118

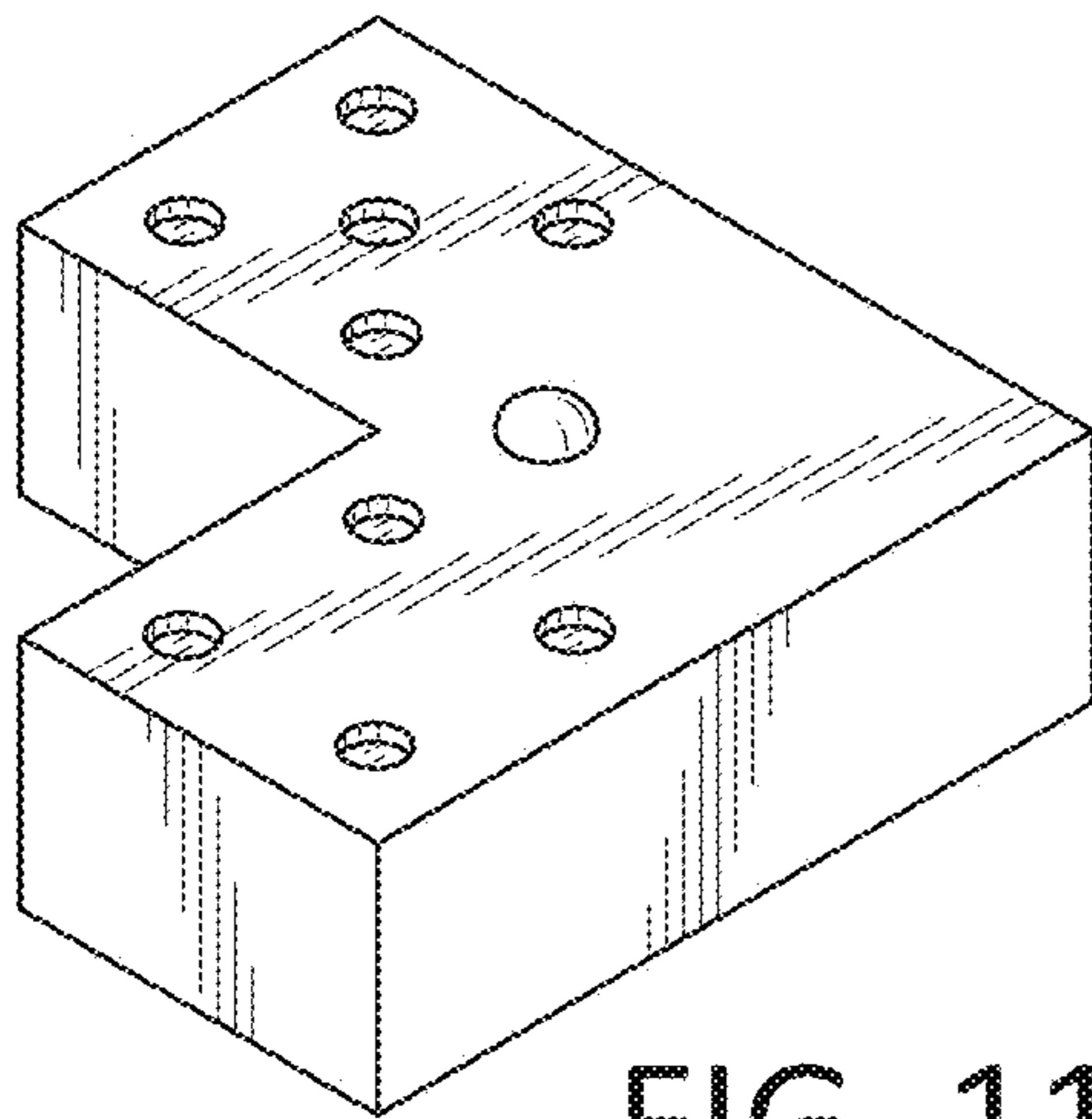


FIG. 119

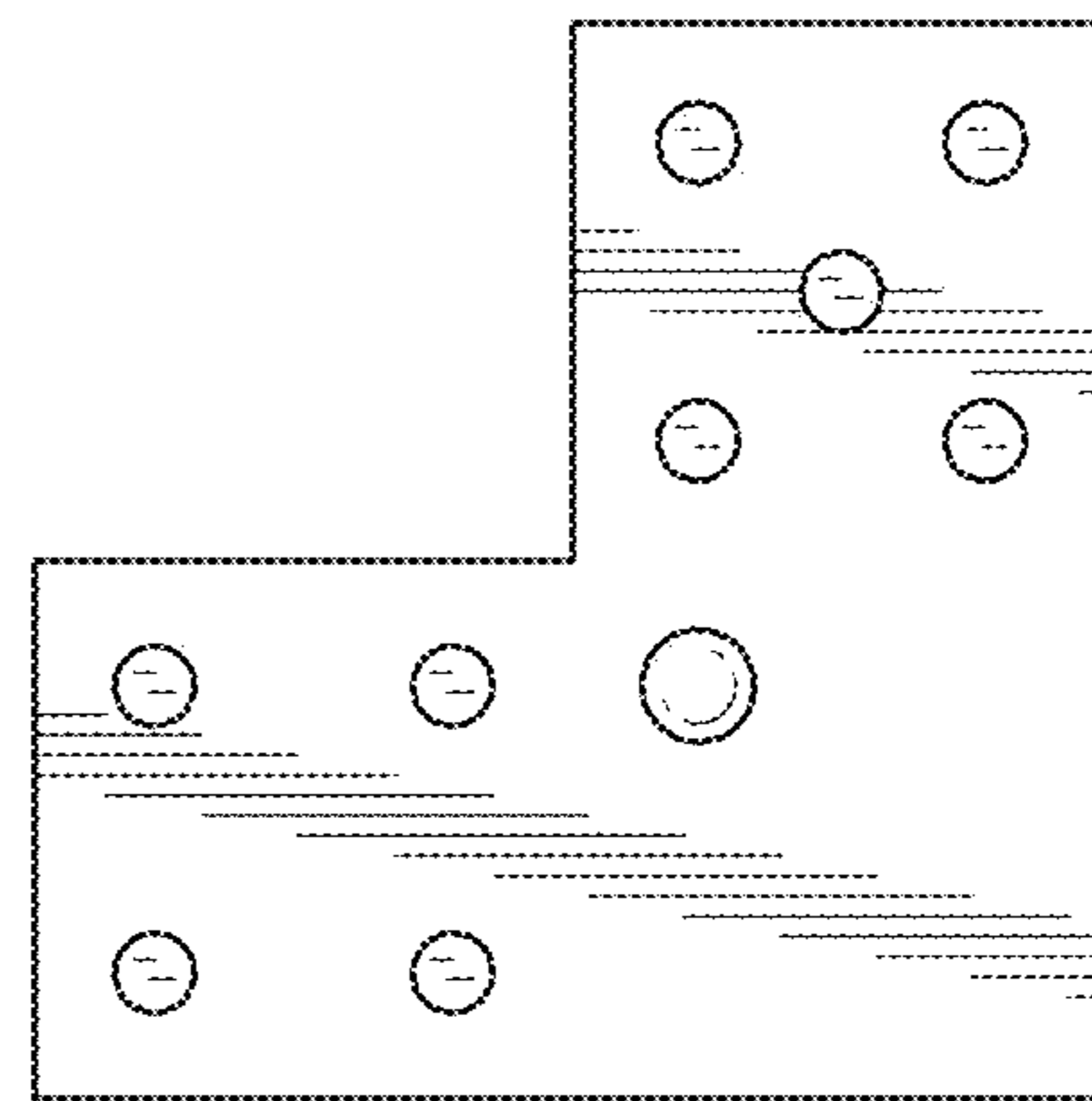


FIG. 120

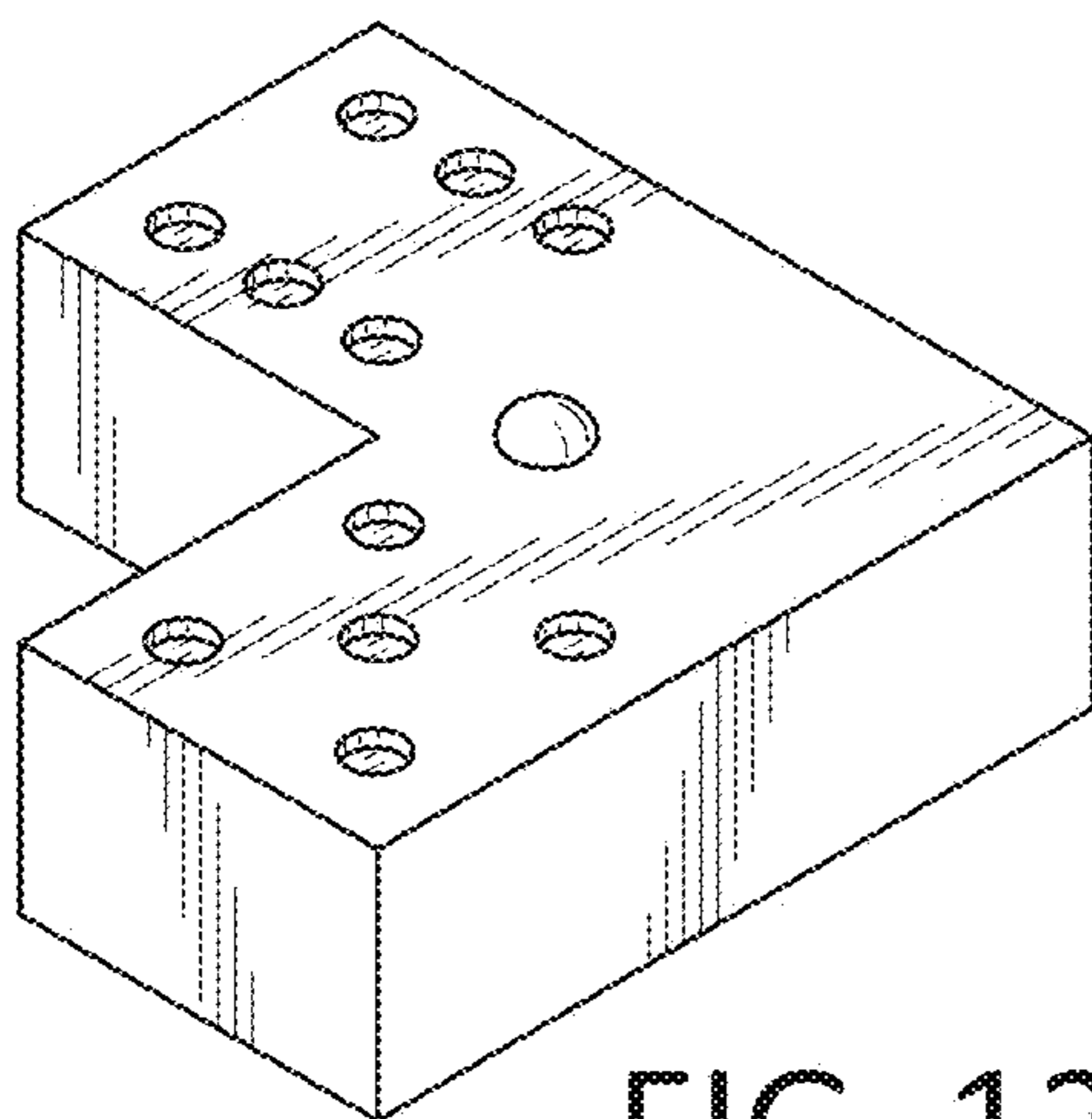


FIG. 121

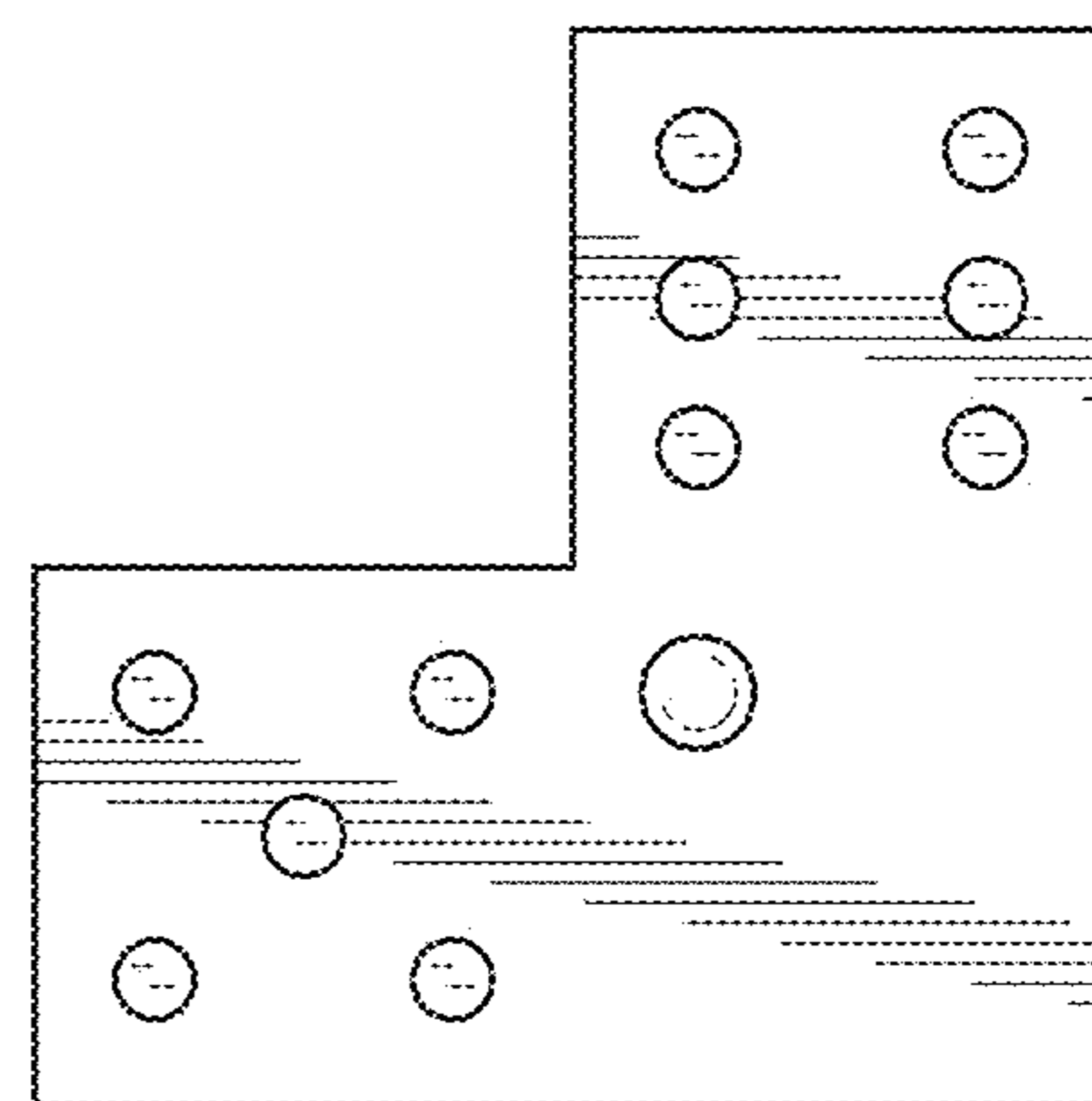


FIG. 122



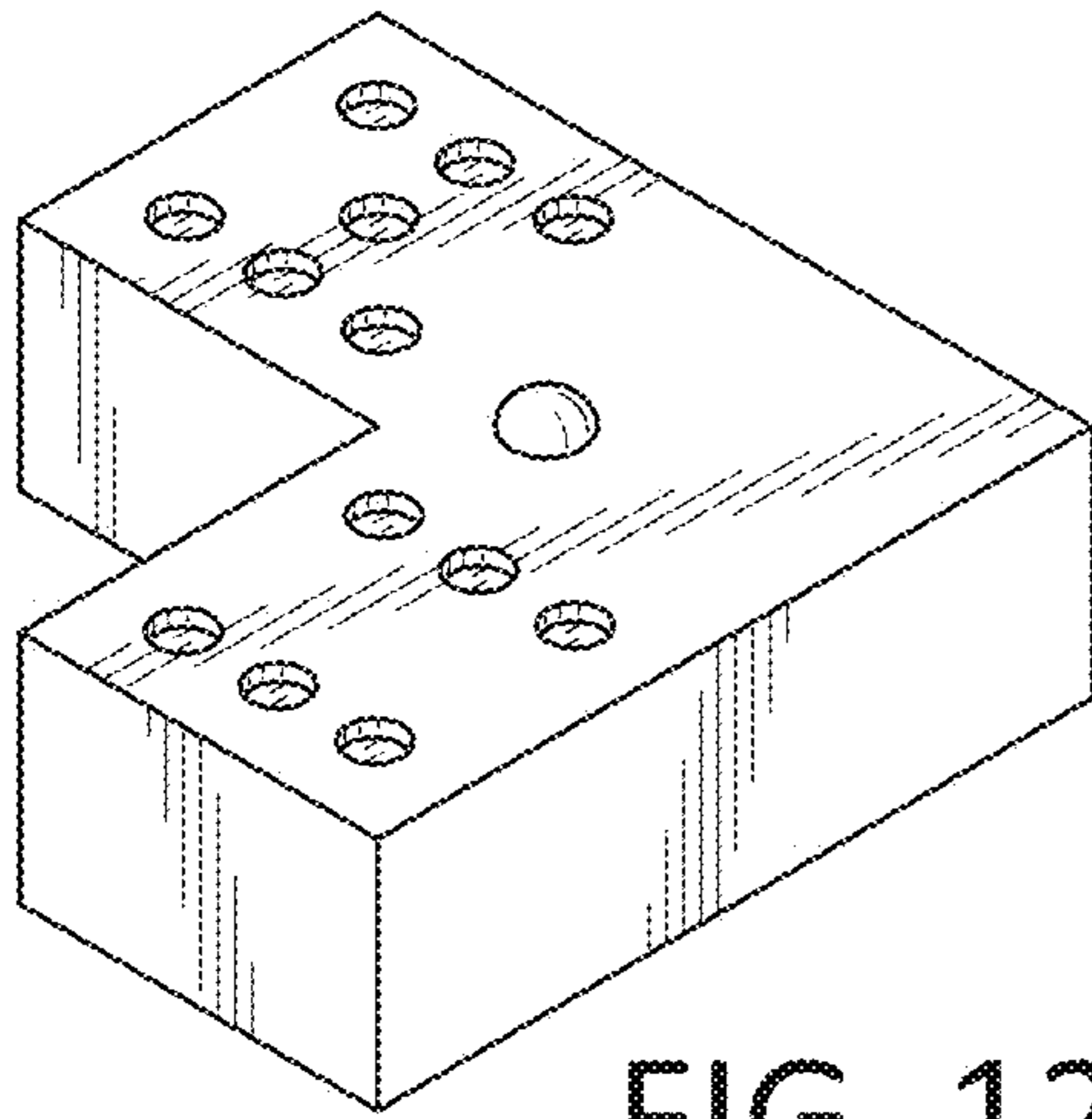


FIG. 123

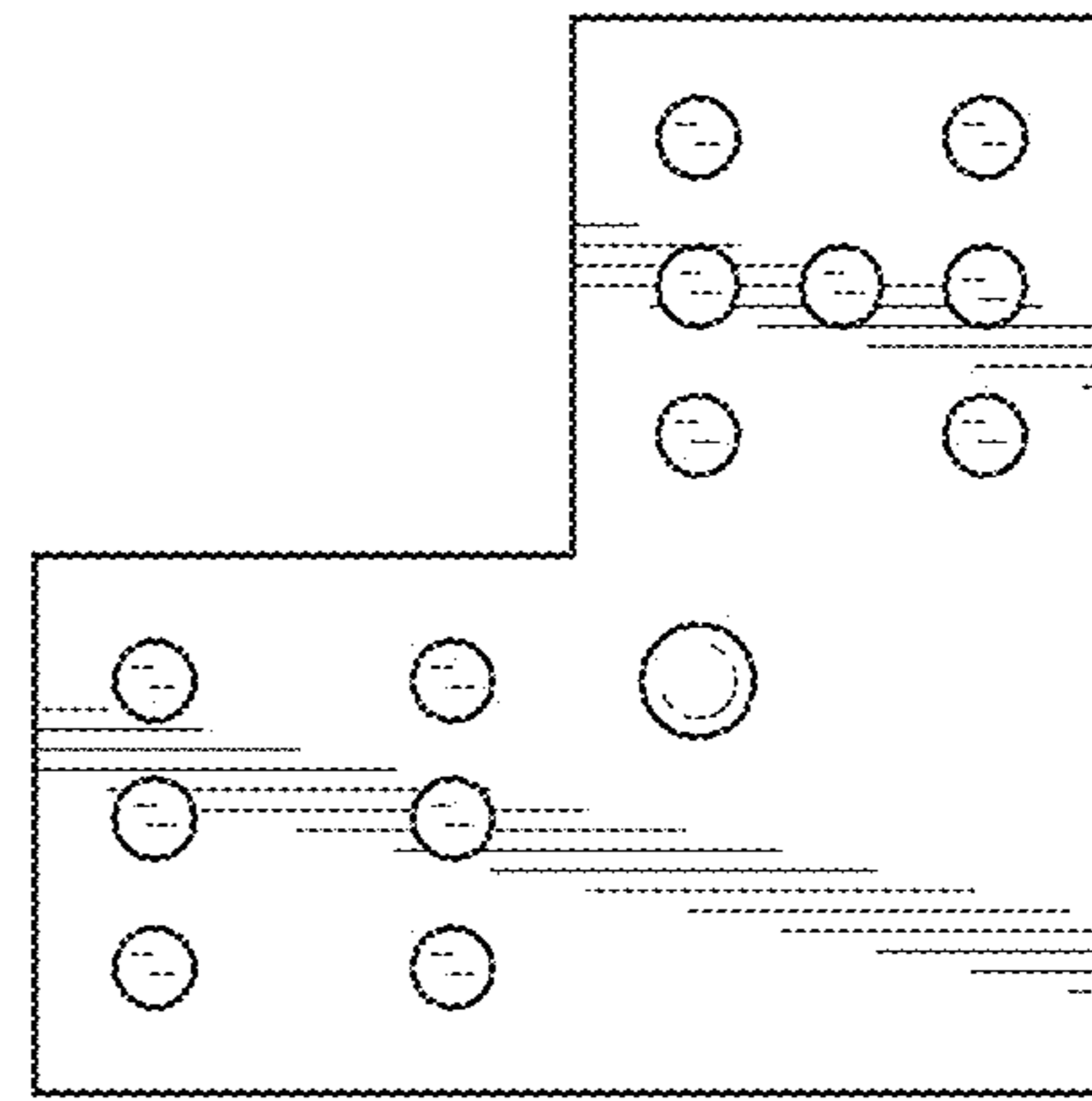


FIG. 124

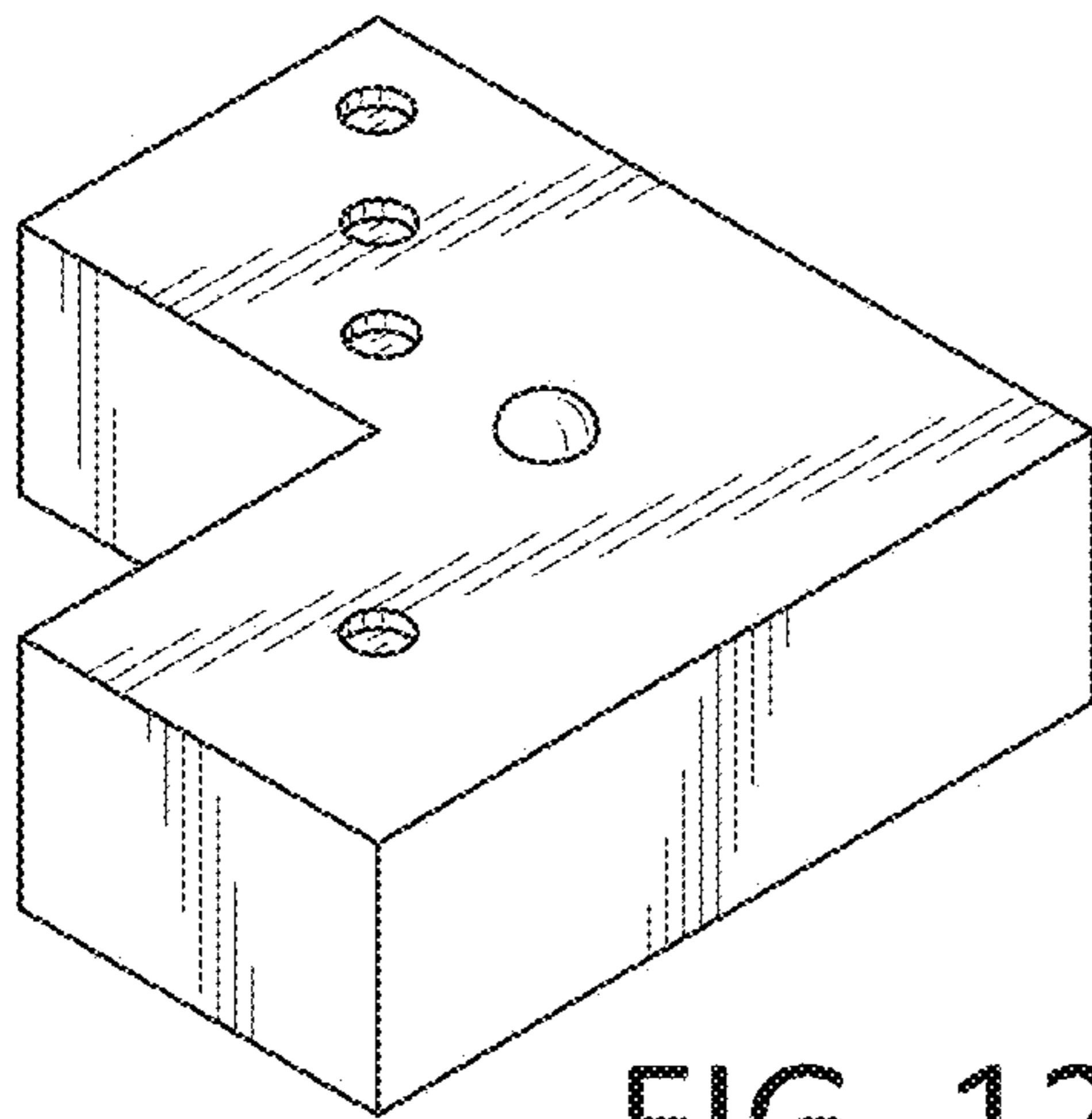


FIG. 125

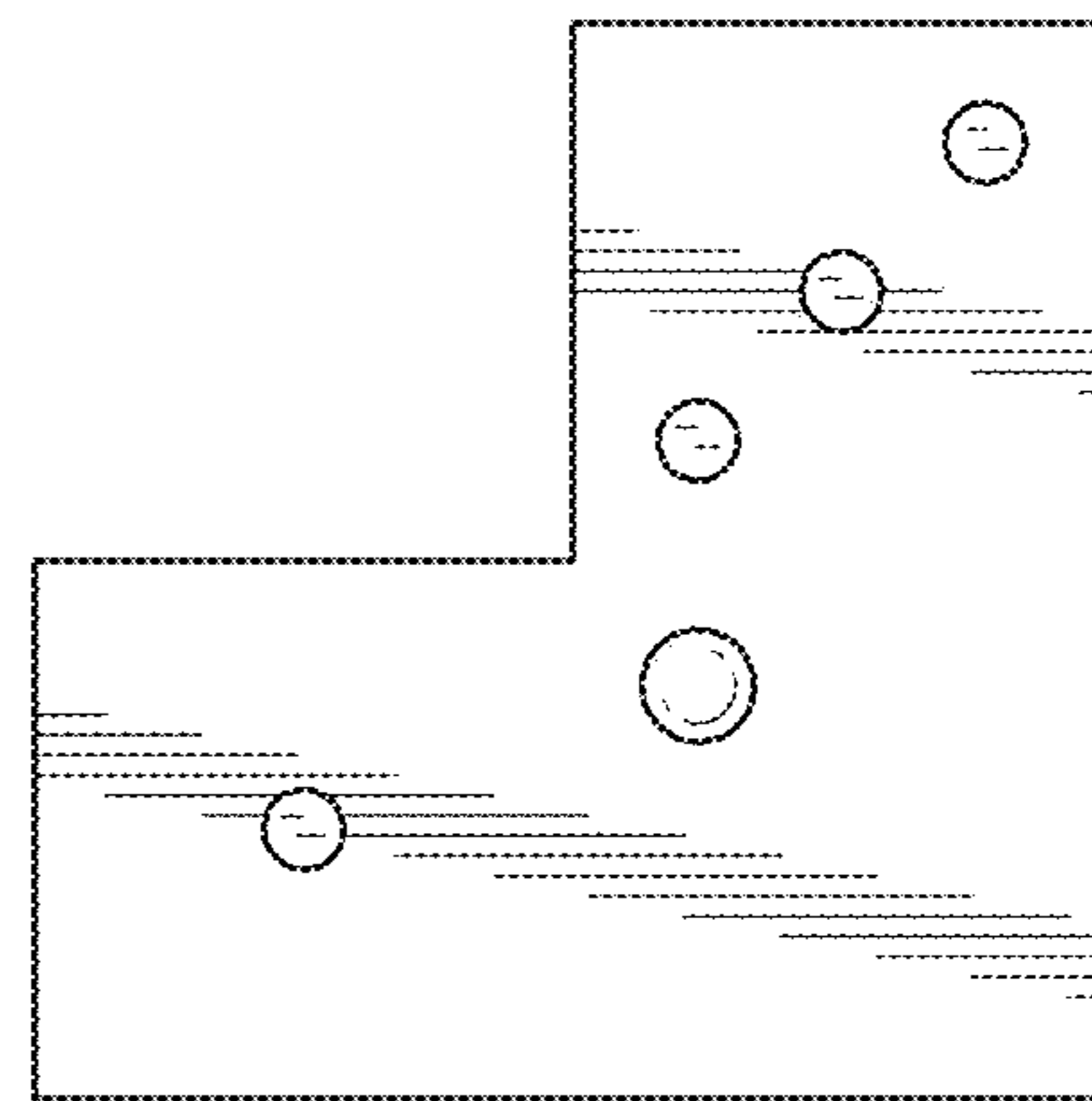


FIG. 126

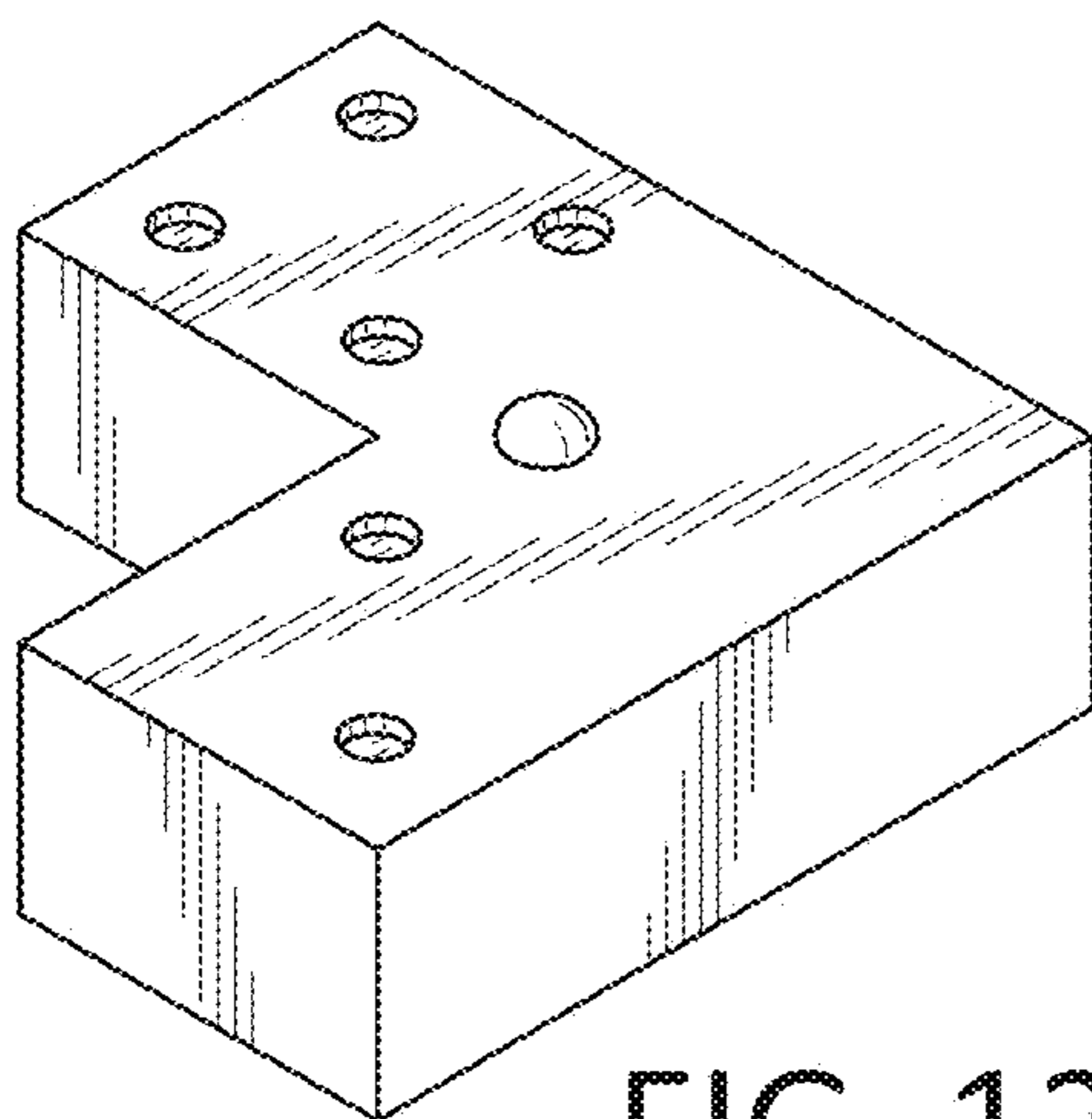


FIG. 127

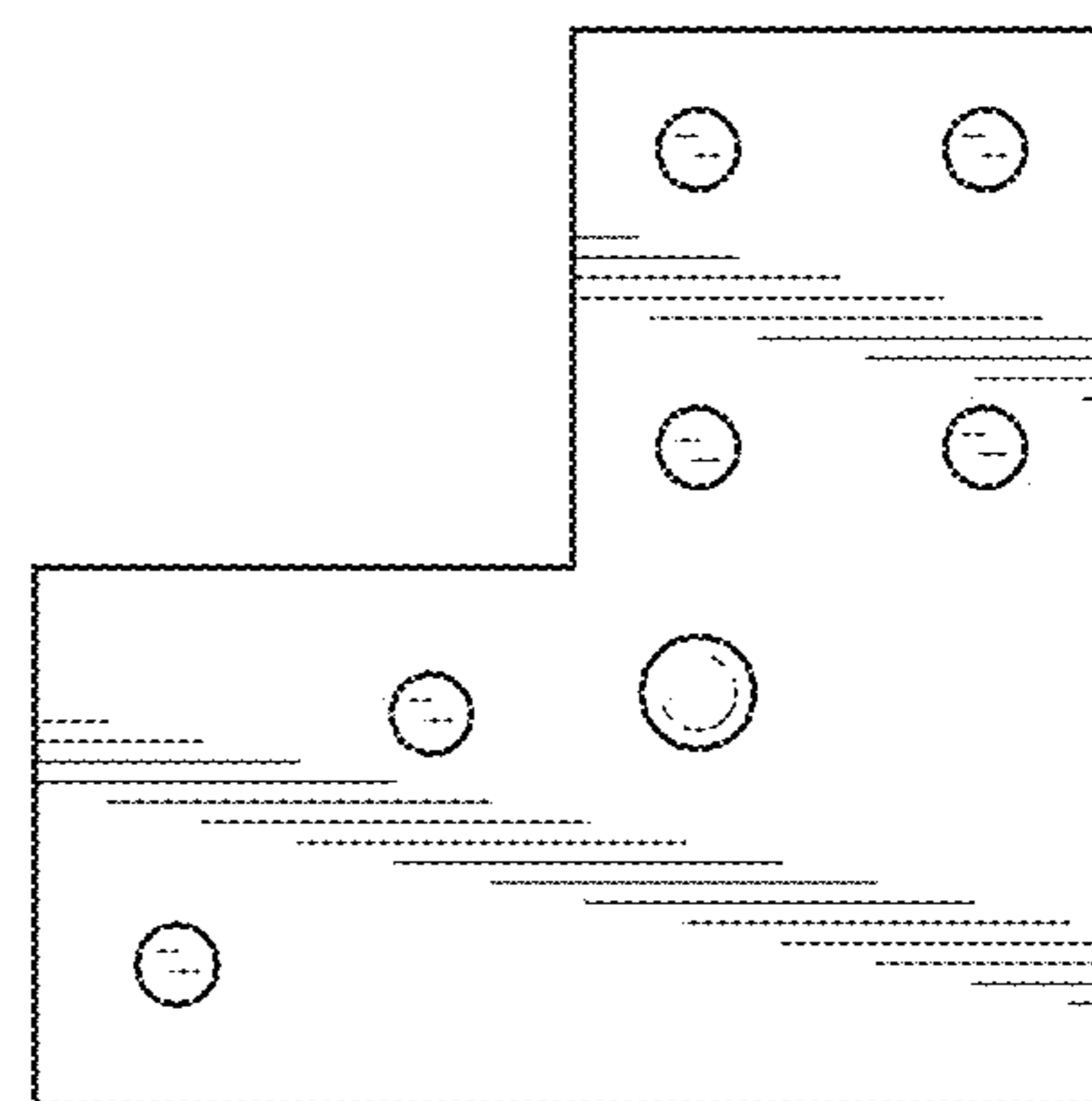


FIG. 128

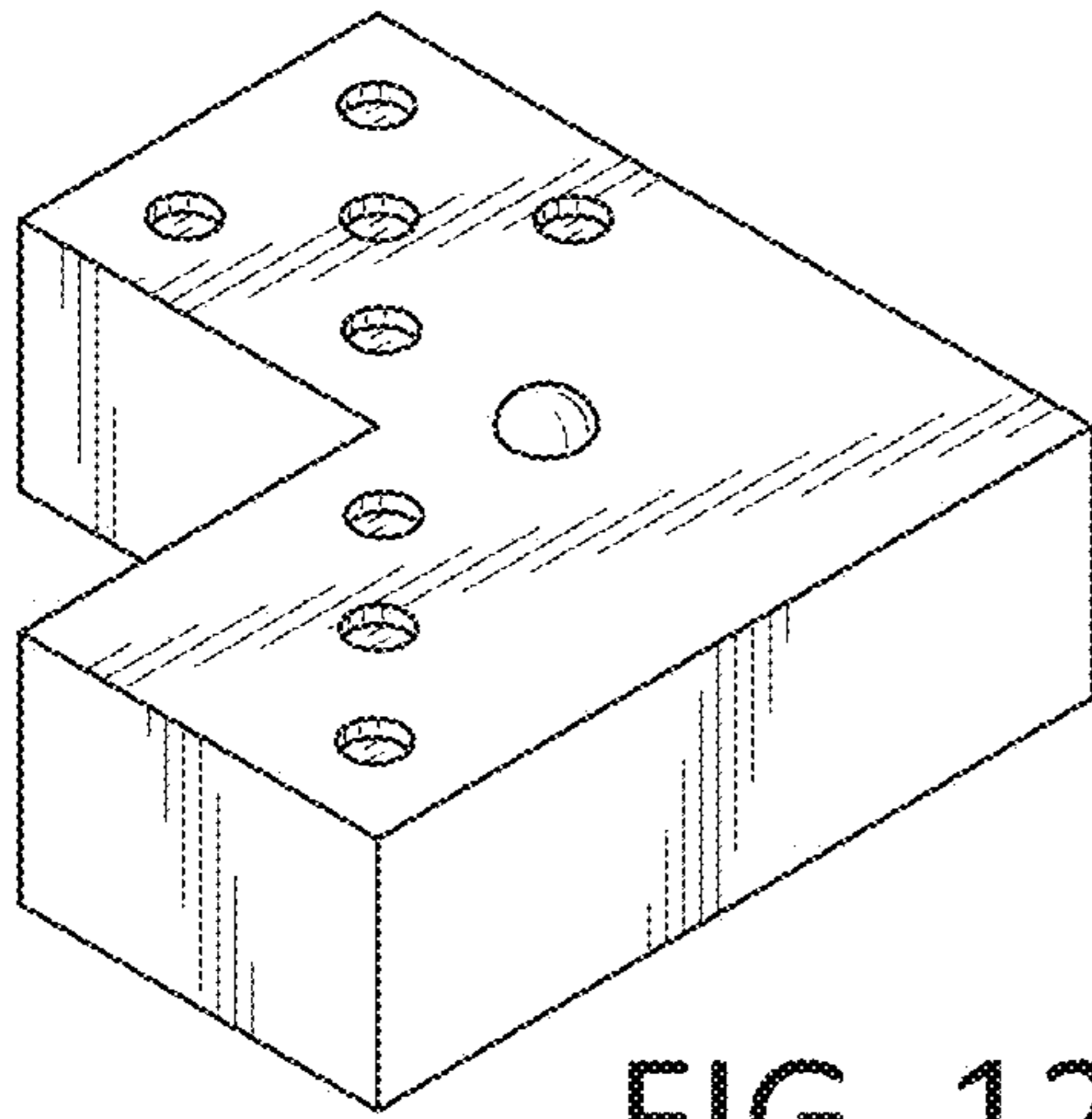


FIG. 129

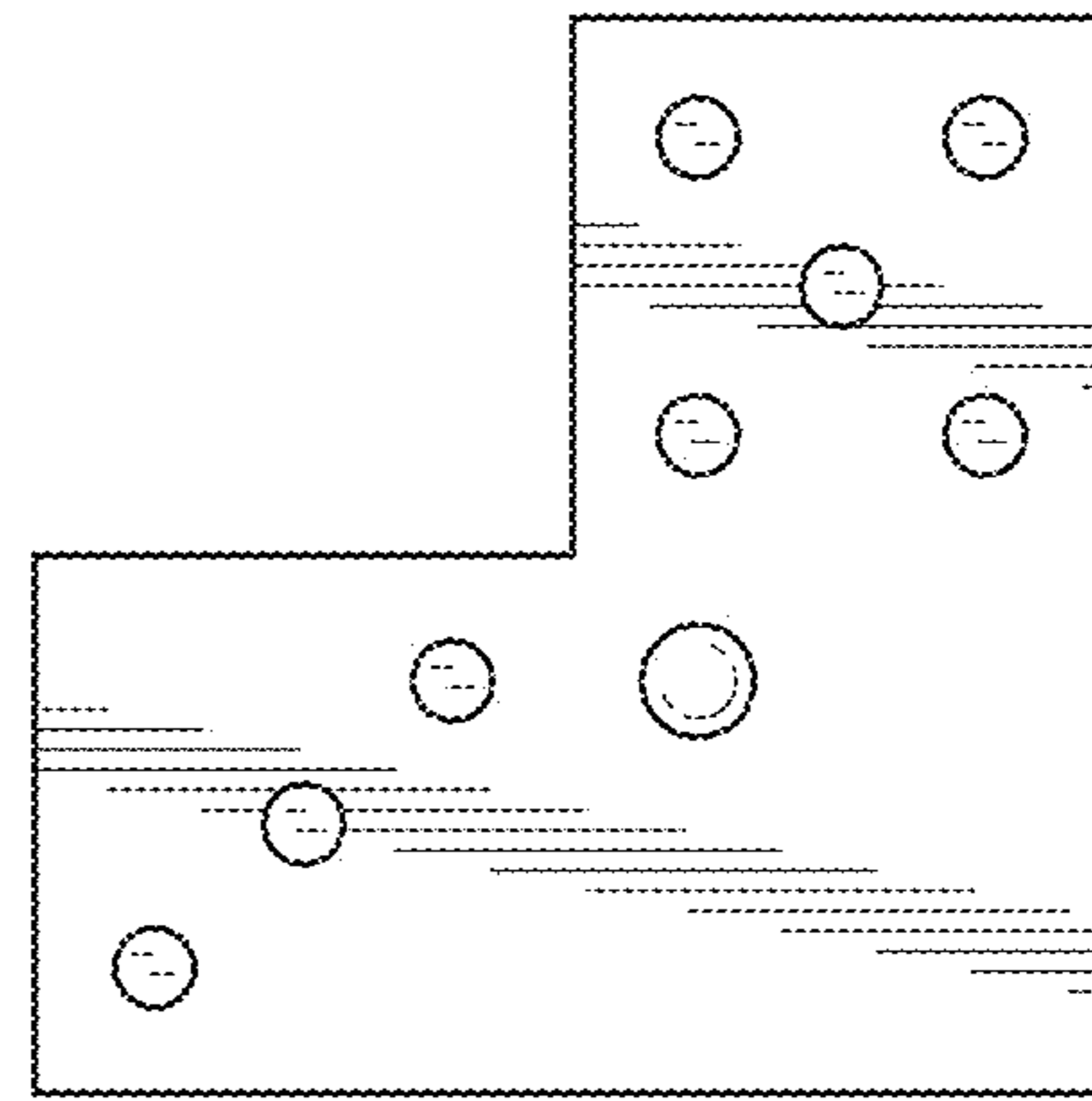


FIG. 130

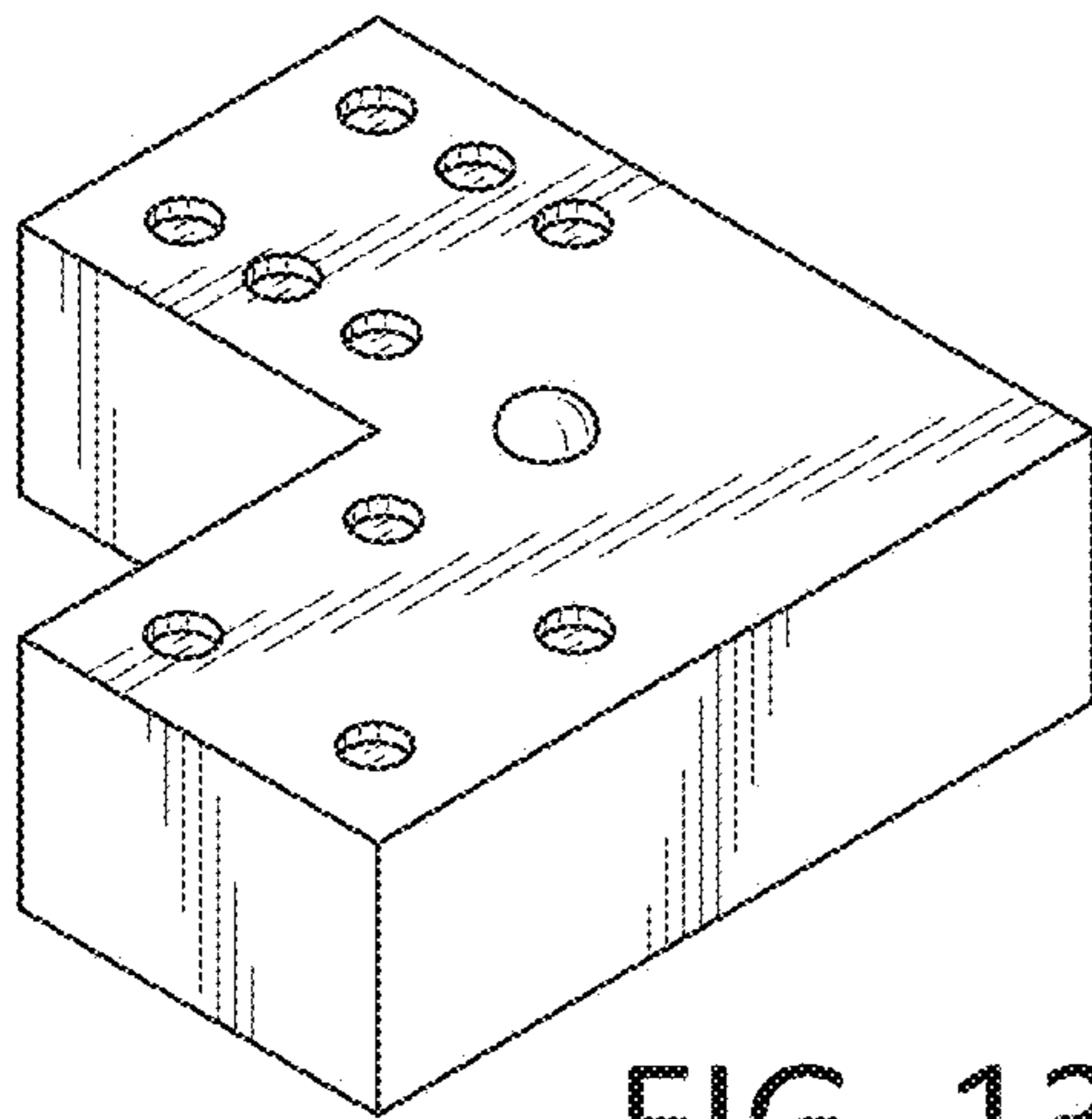


FIG. 131

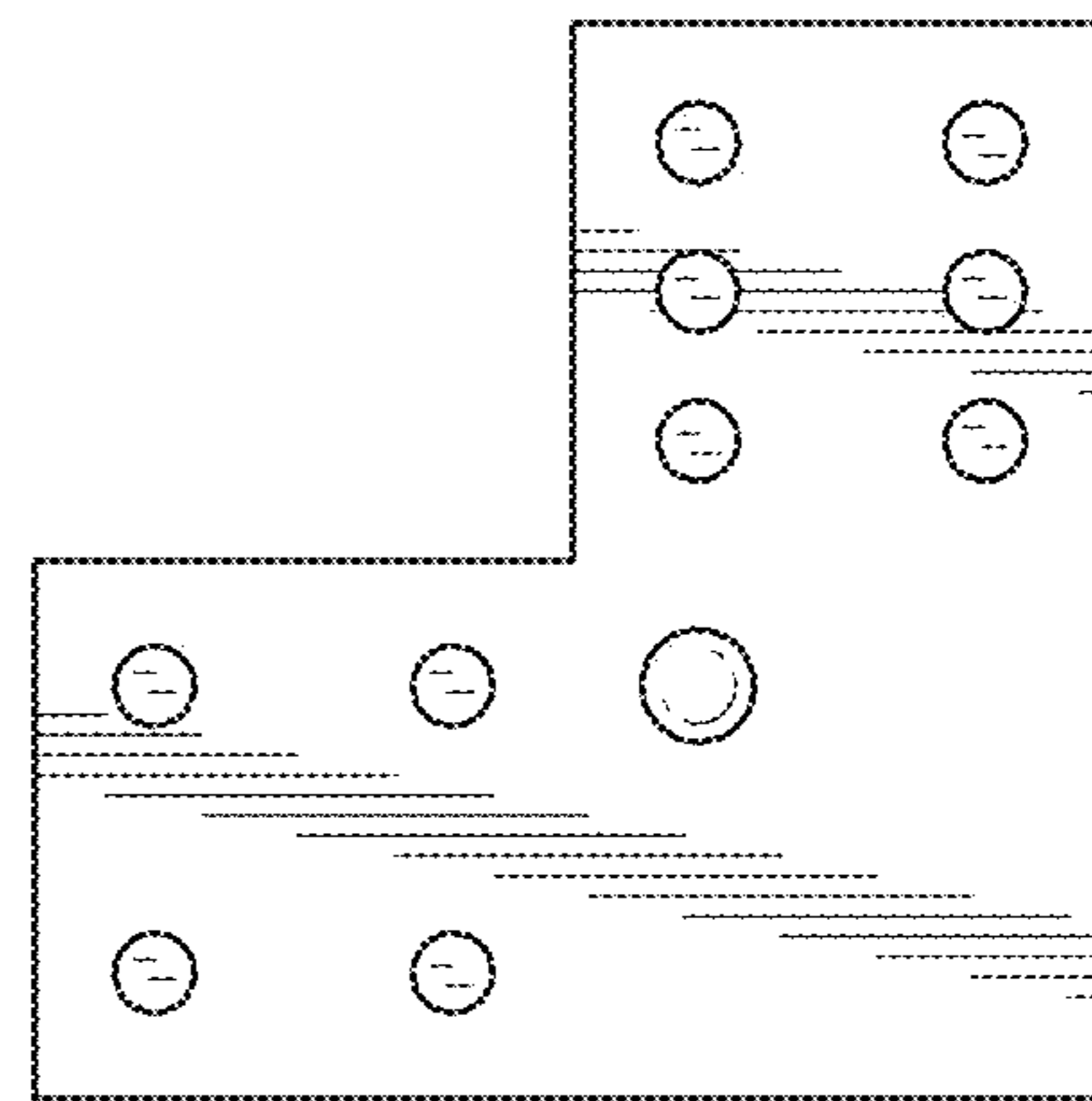


FIG. 132

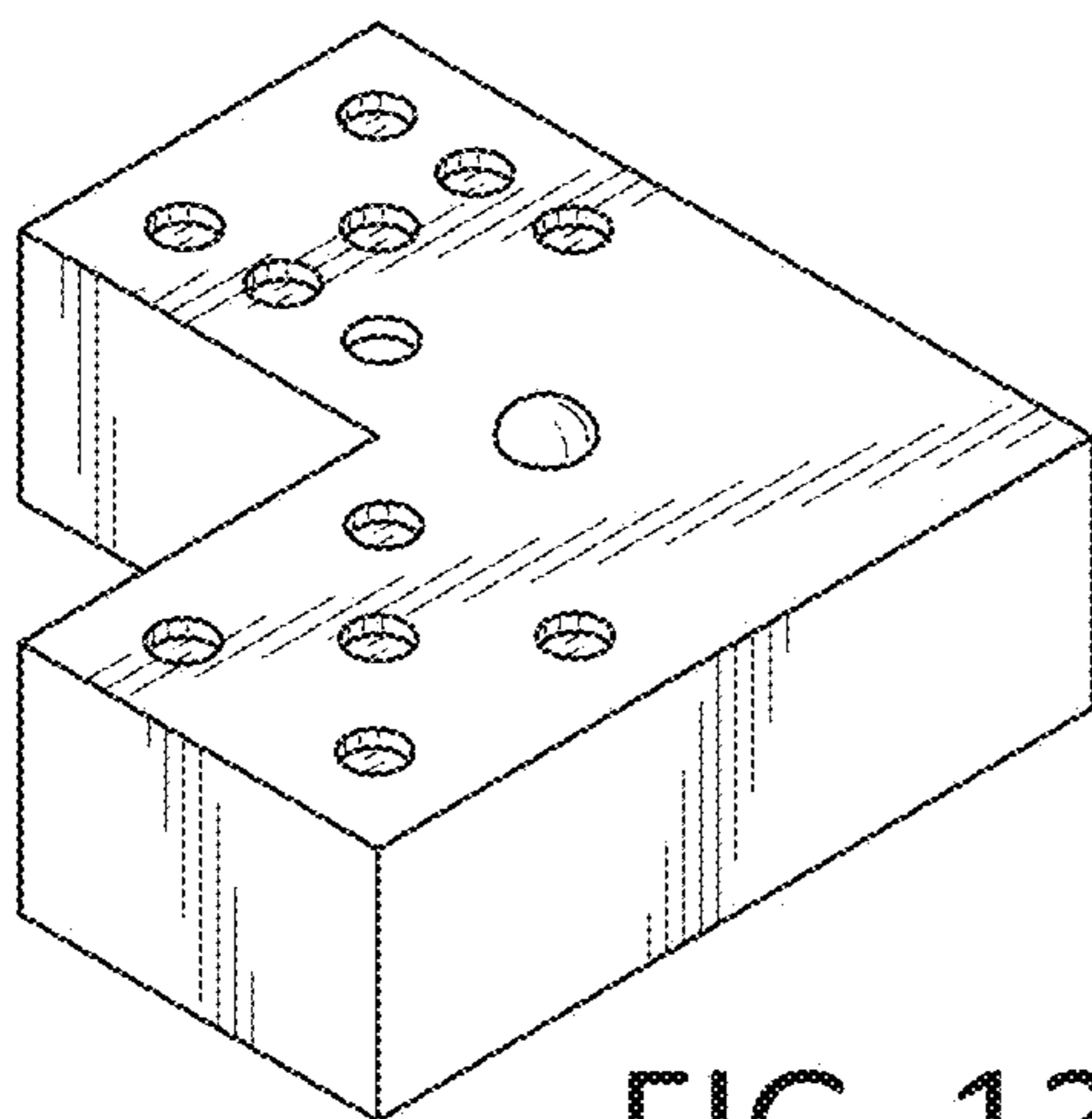


FIG. 133

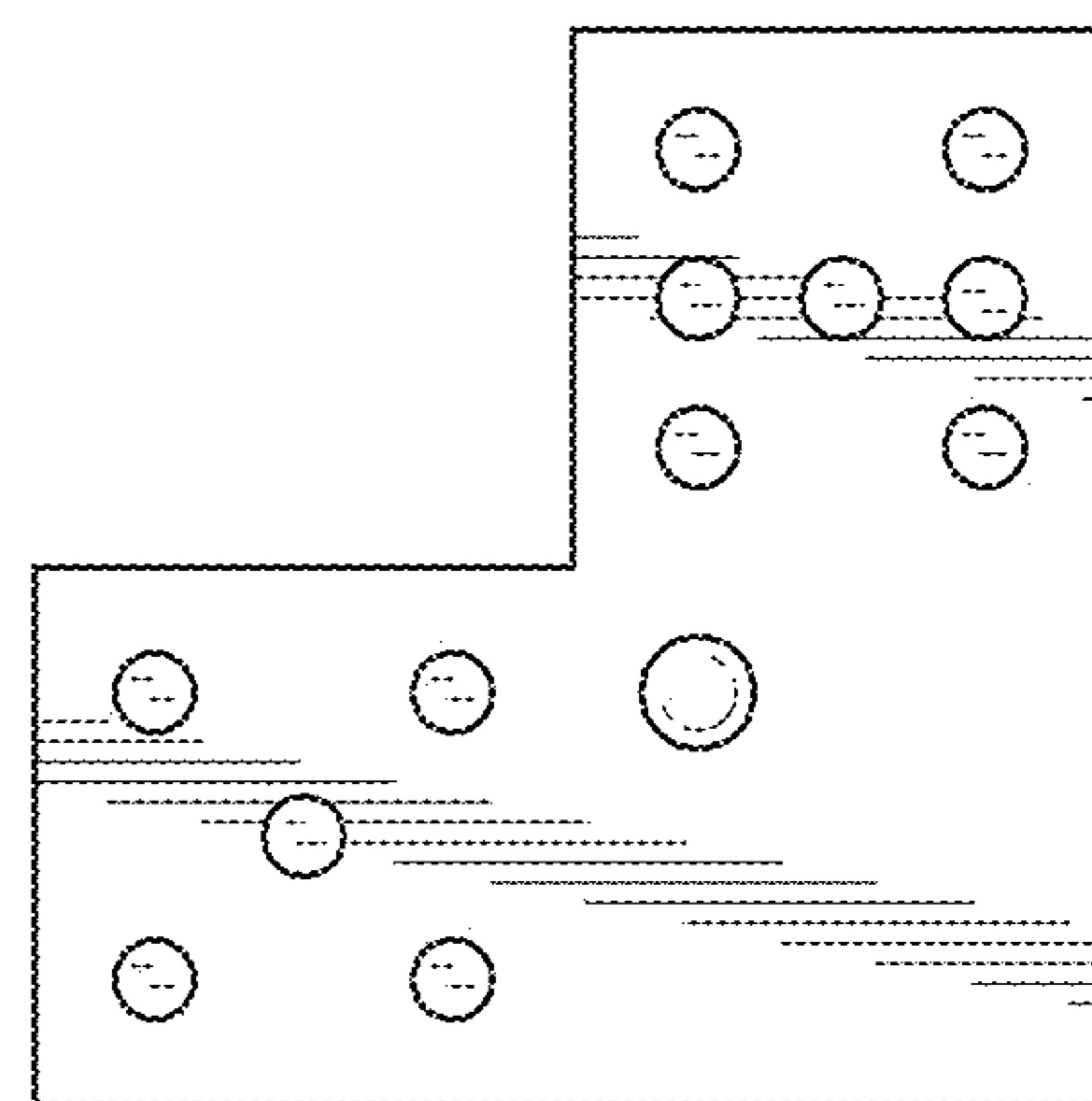


FIG. 134

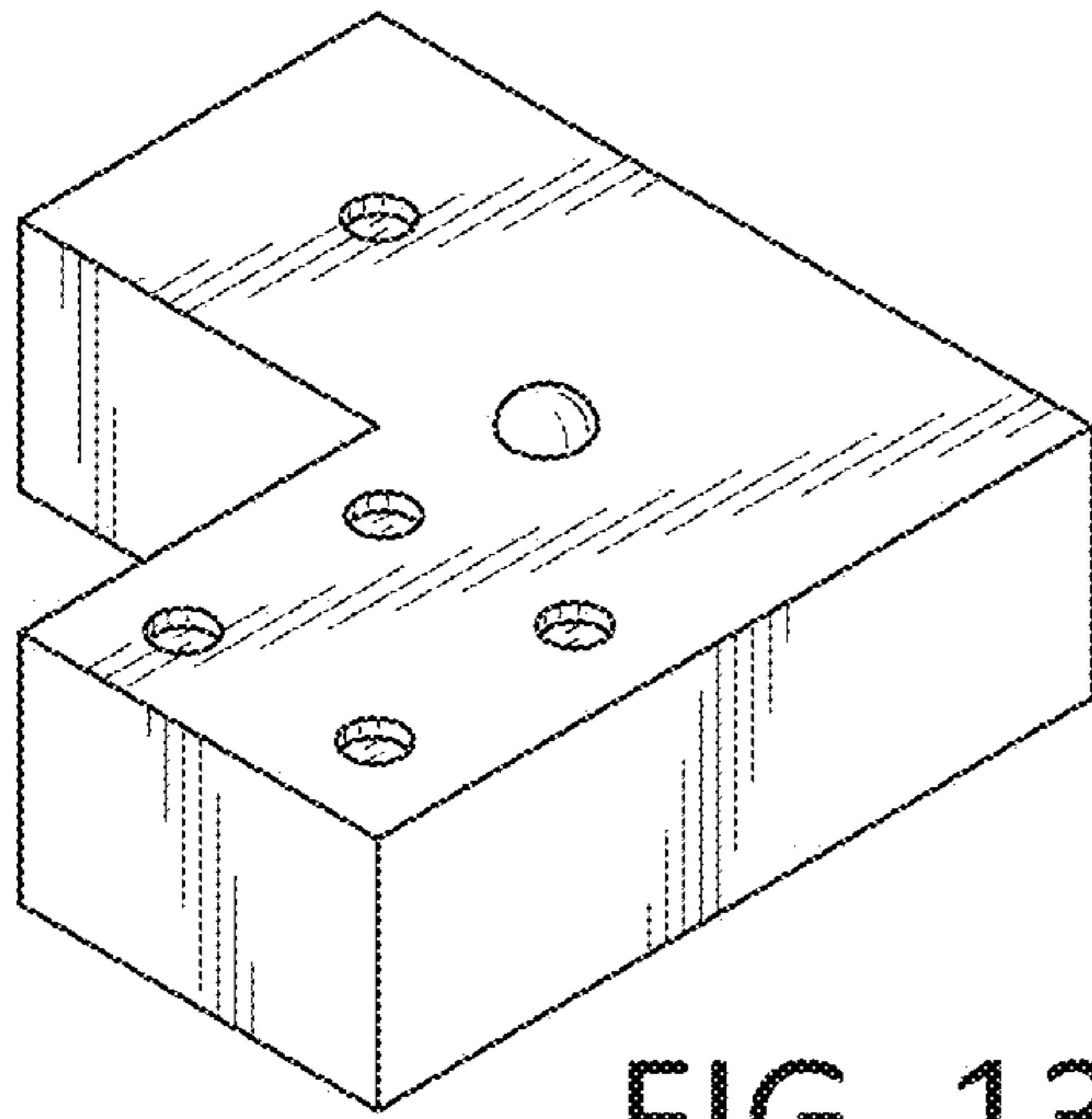


FIG. 135

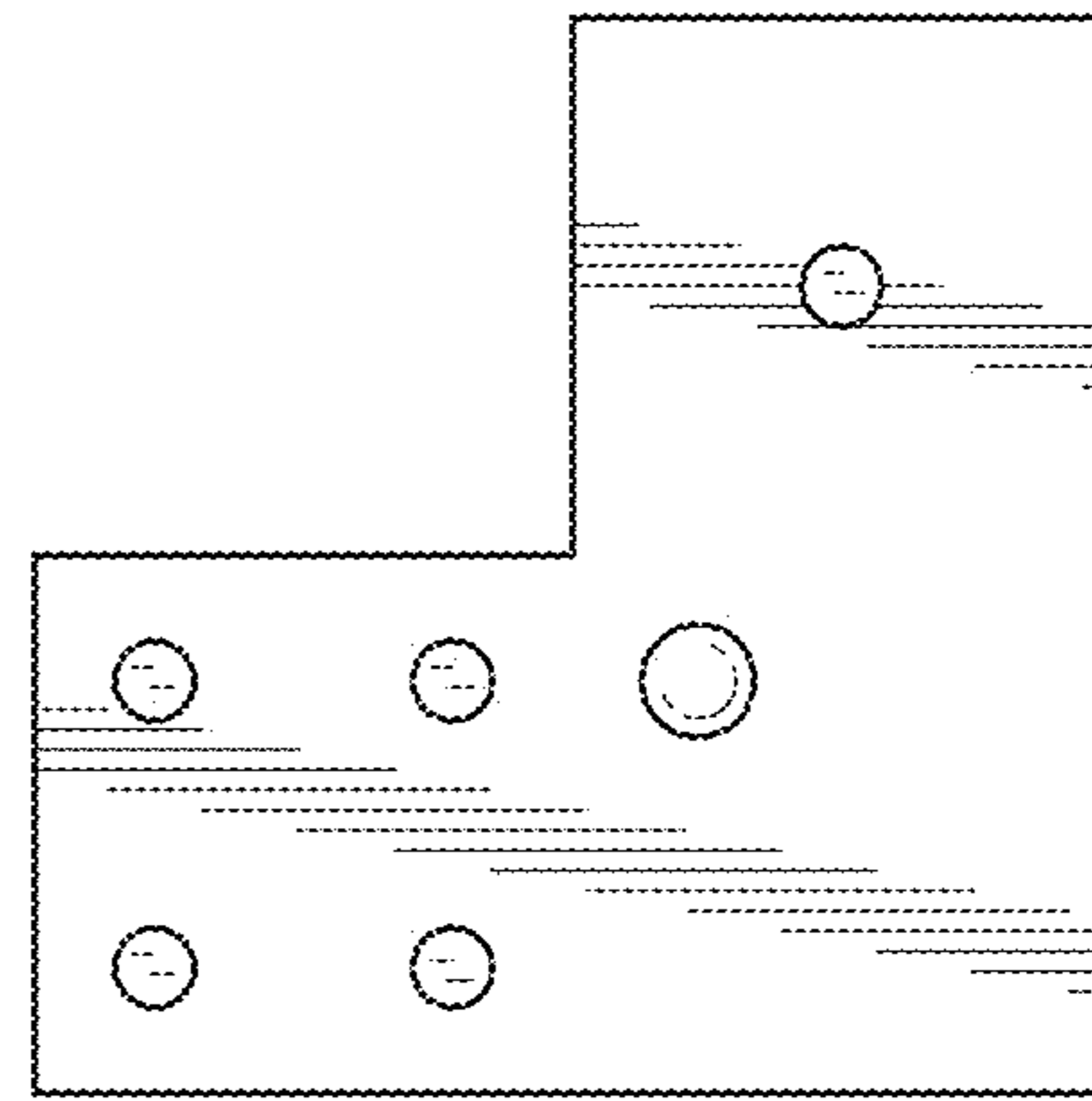


FIG. 136

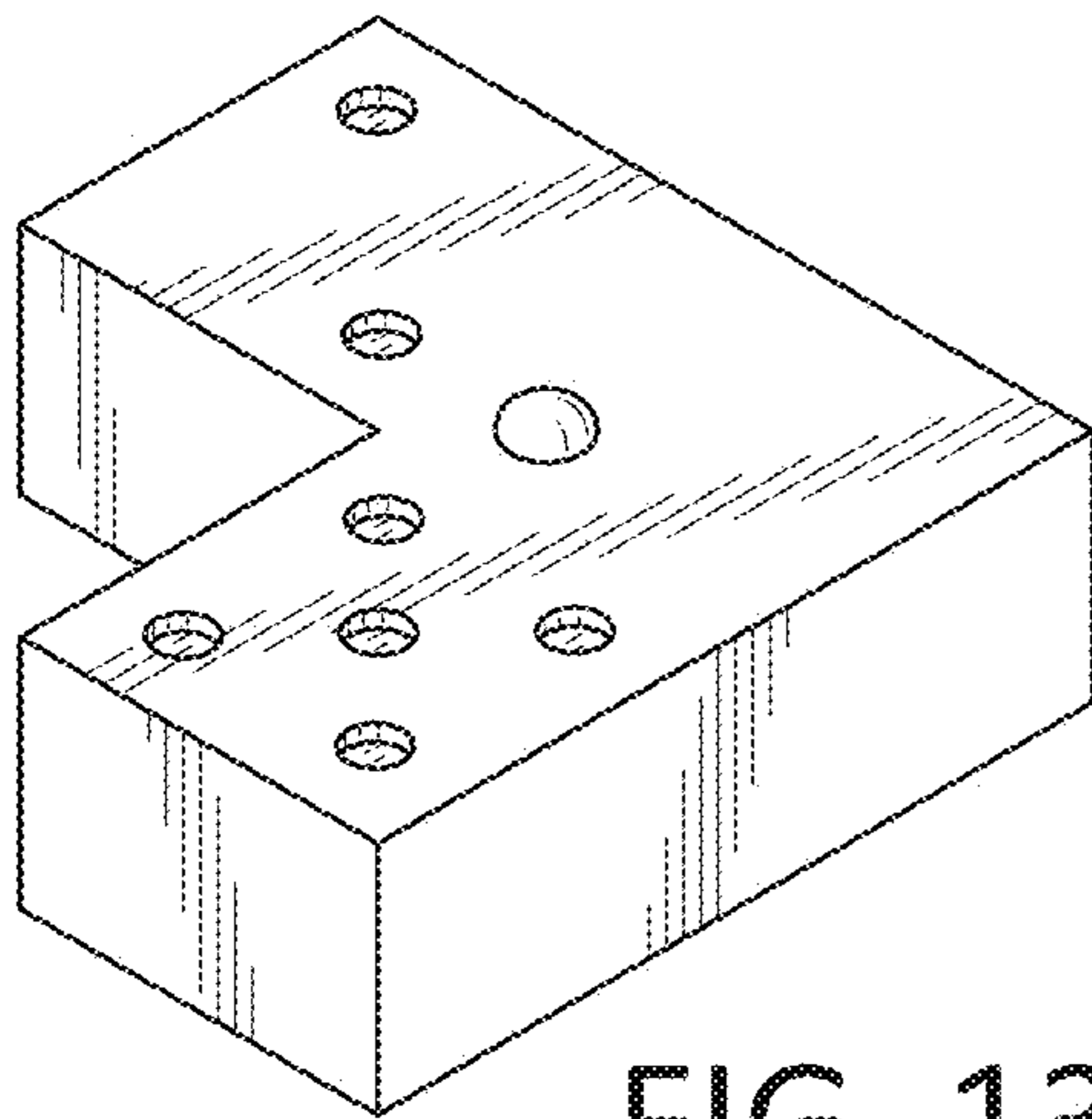


FIG. 137

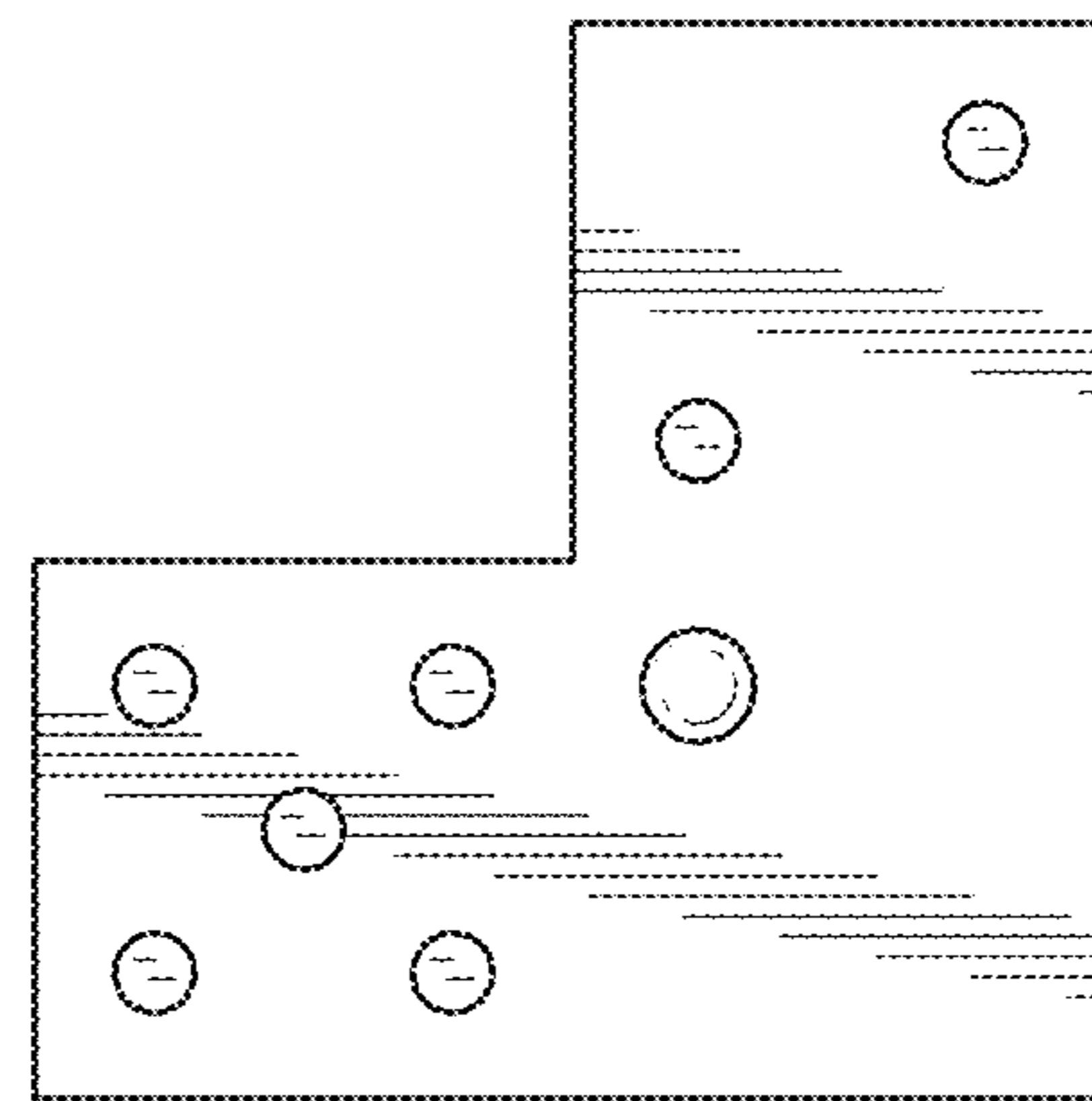


FIG. 138

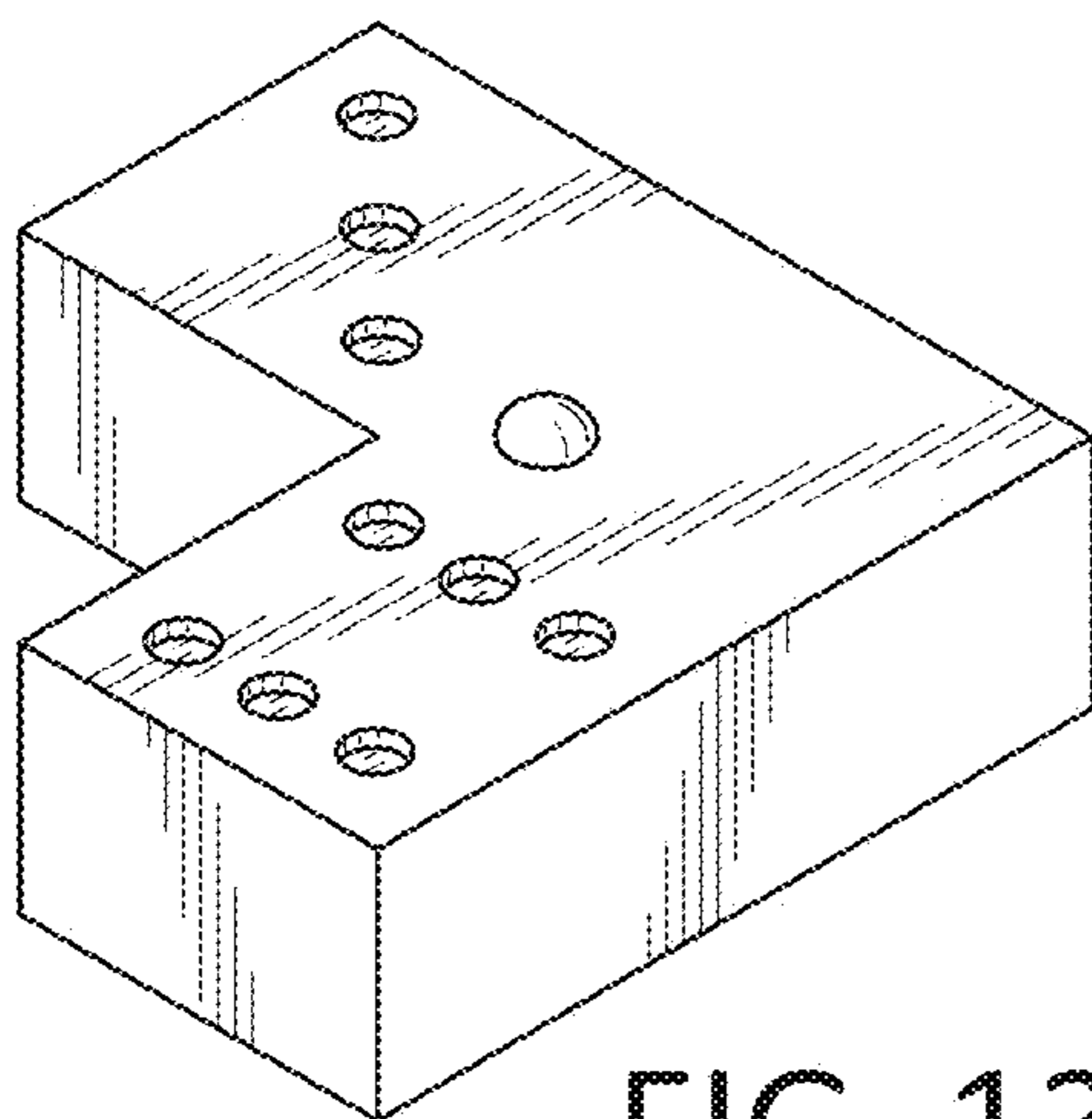


FIG. 139

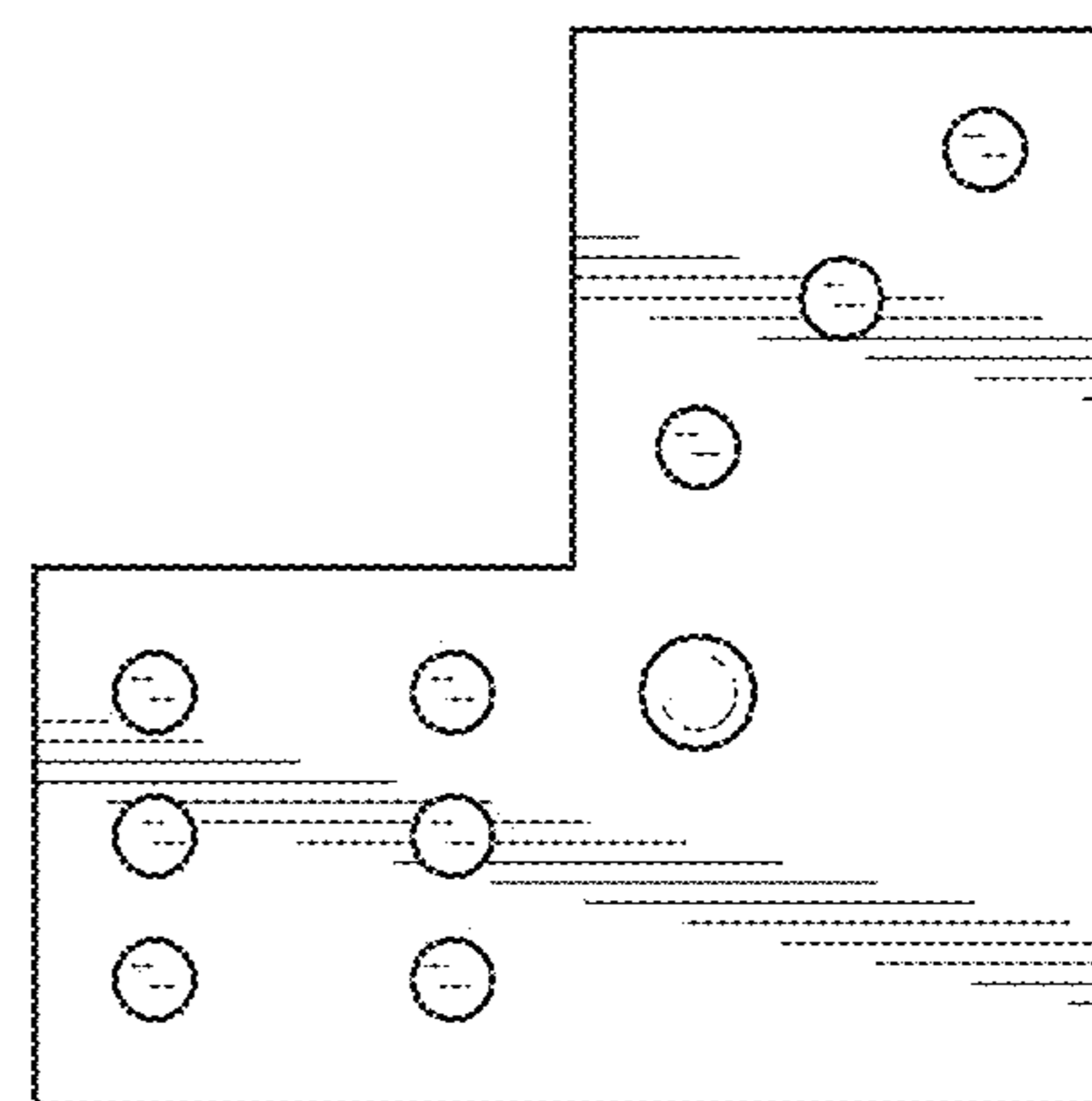


FIG. 140

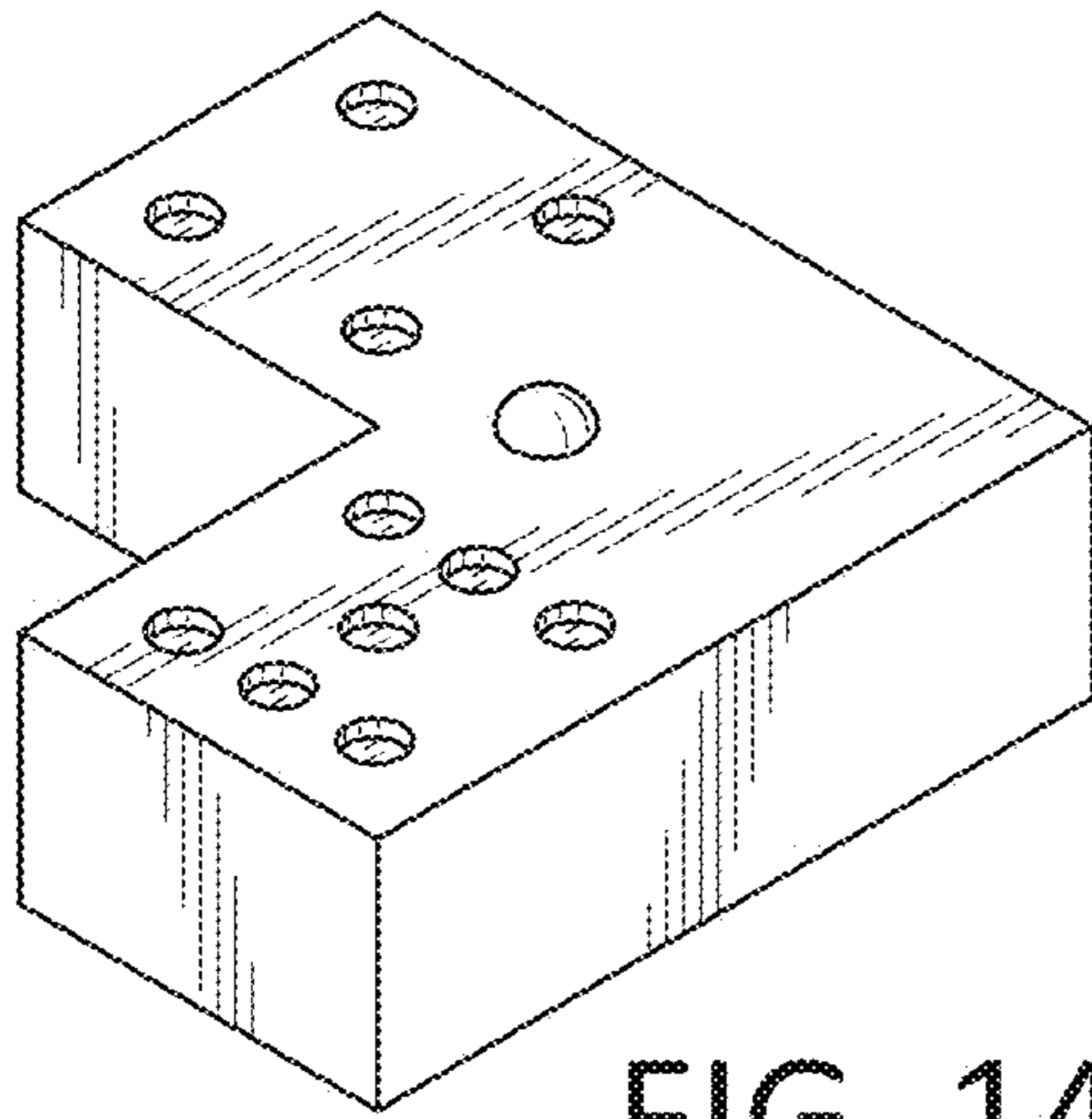


FIG. 141

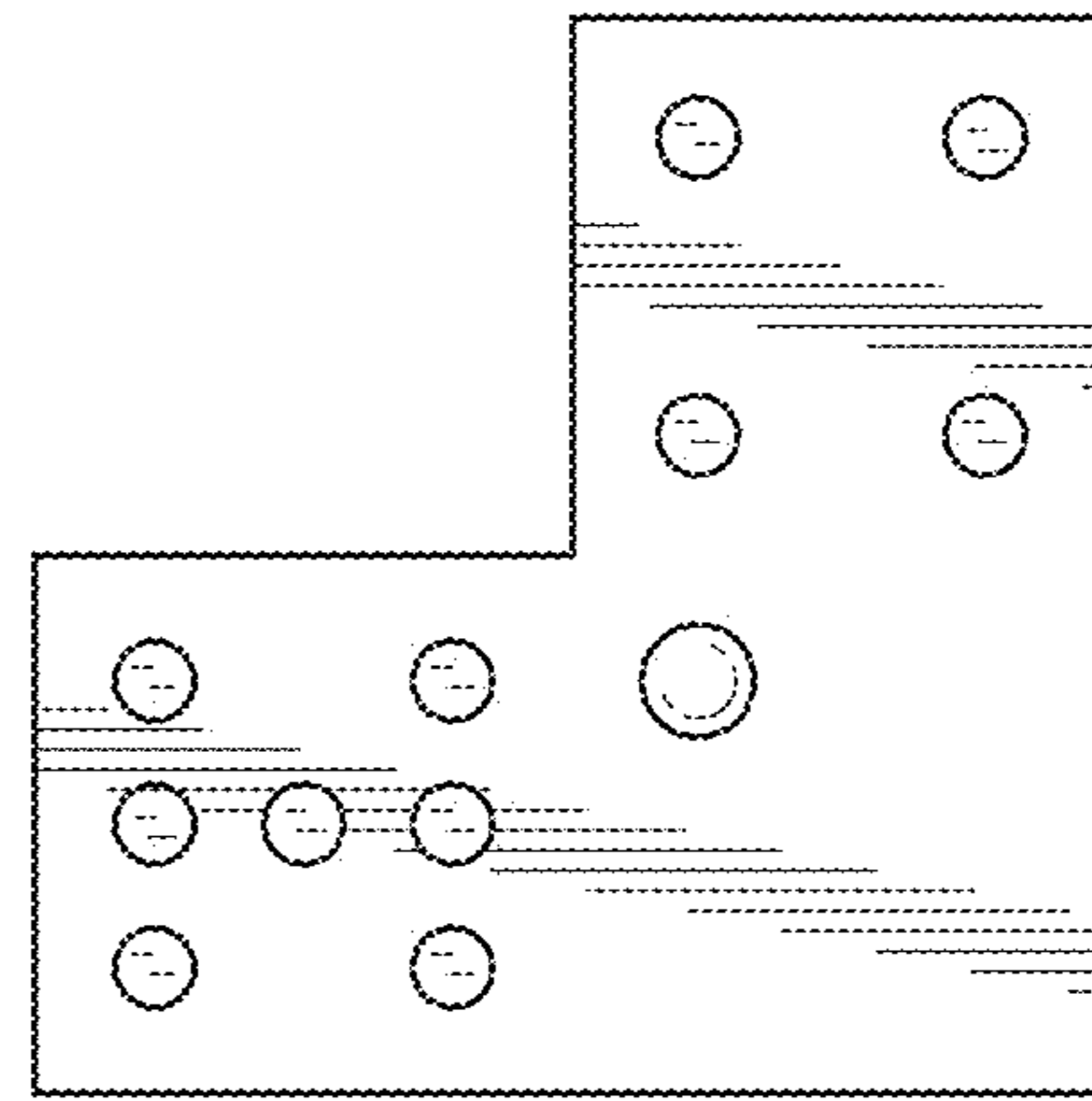


FIG. 142

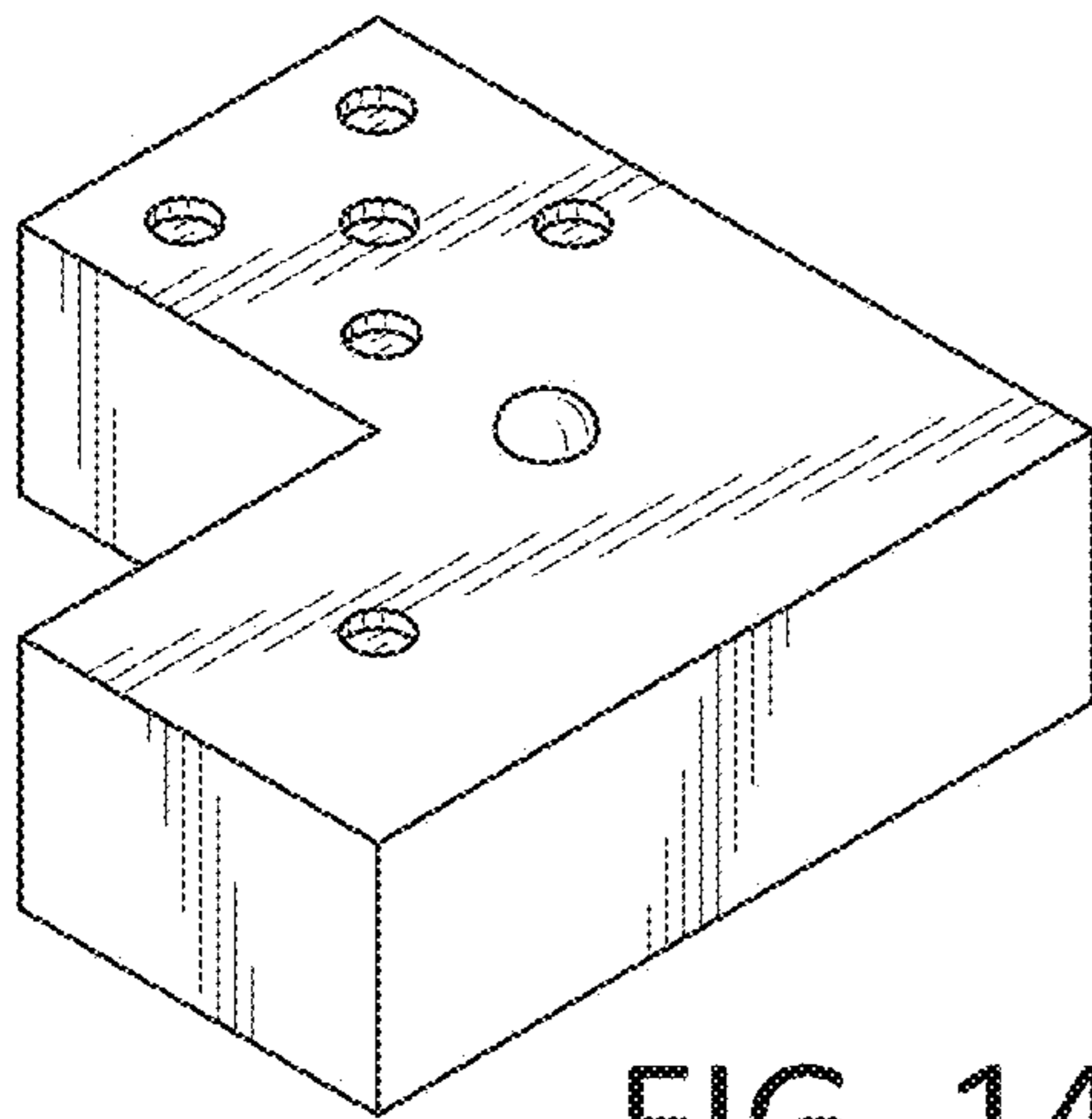


FIG. 143

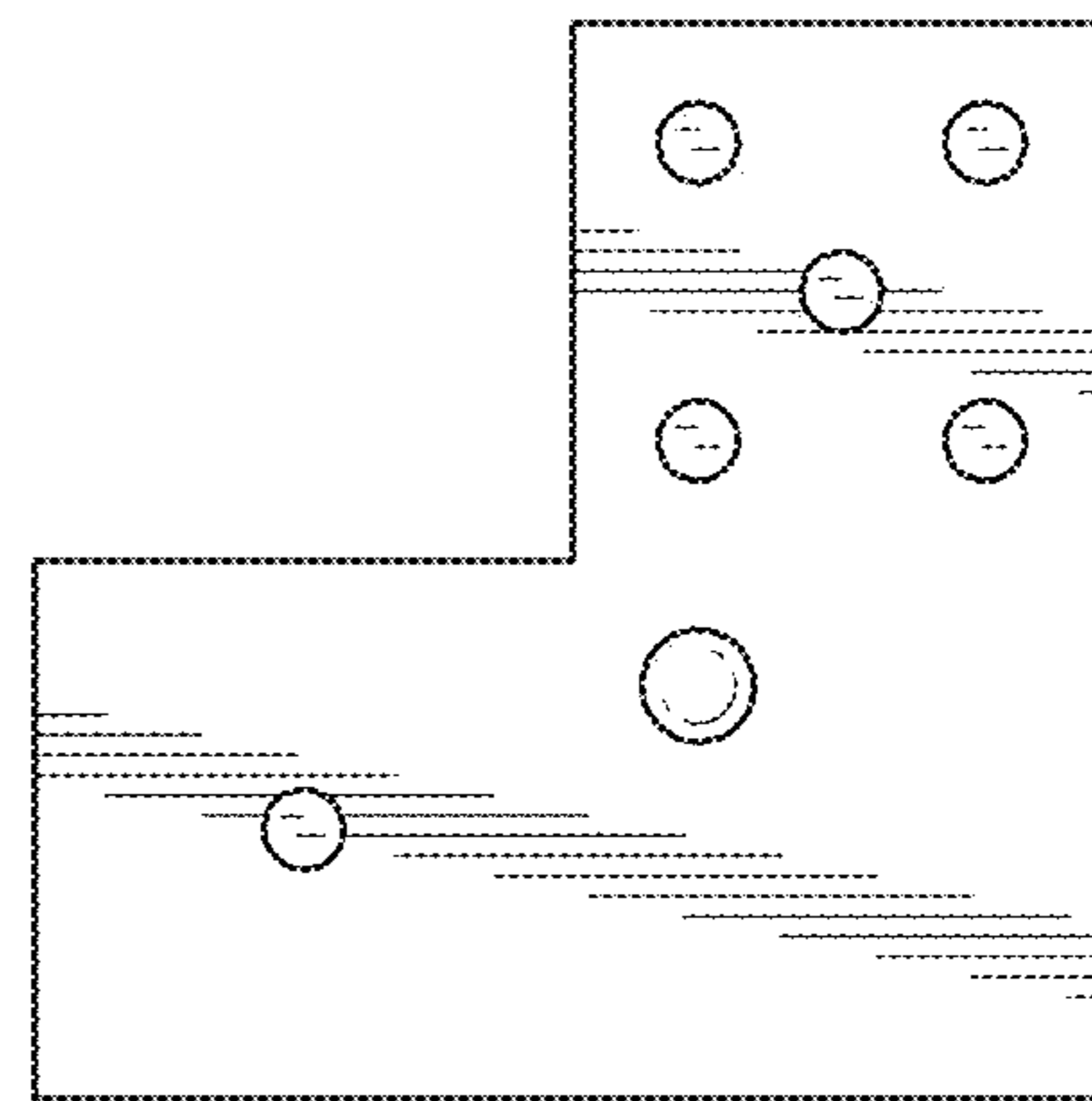


FIG. 144

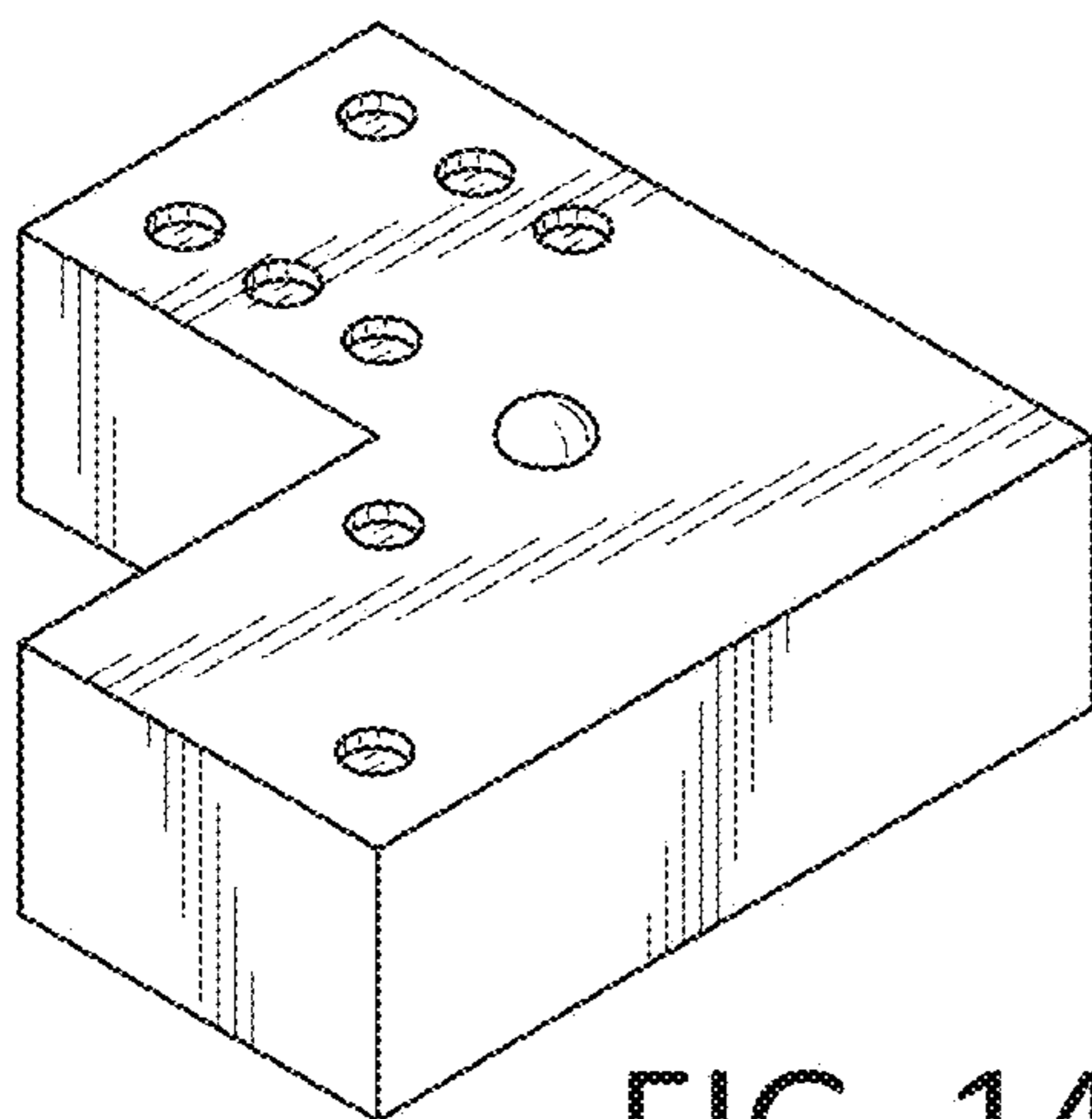


FIG. 145

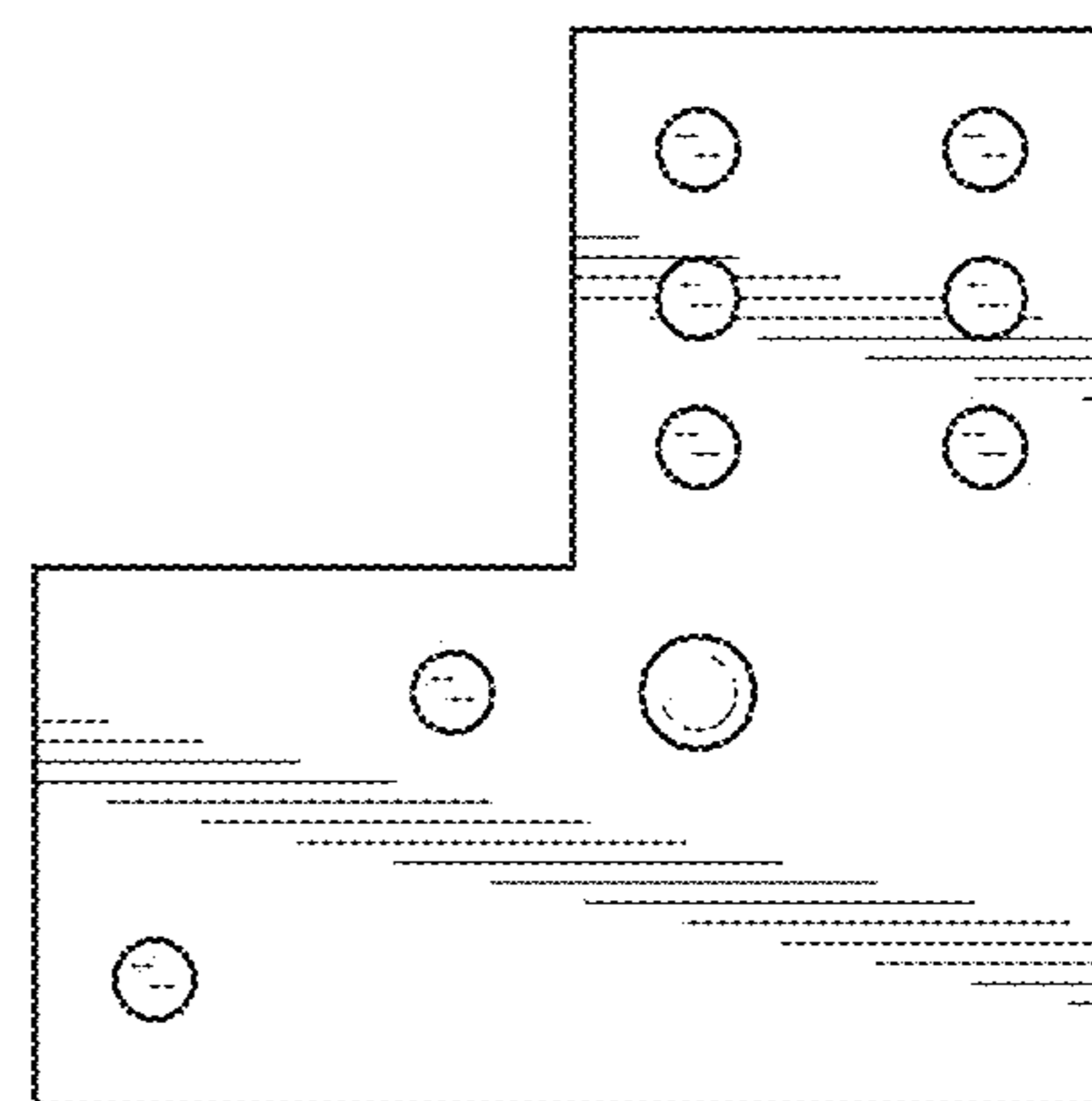


FIG. 146

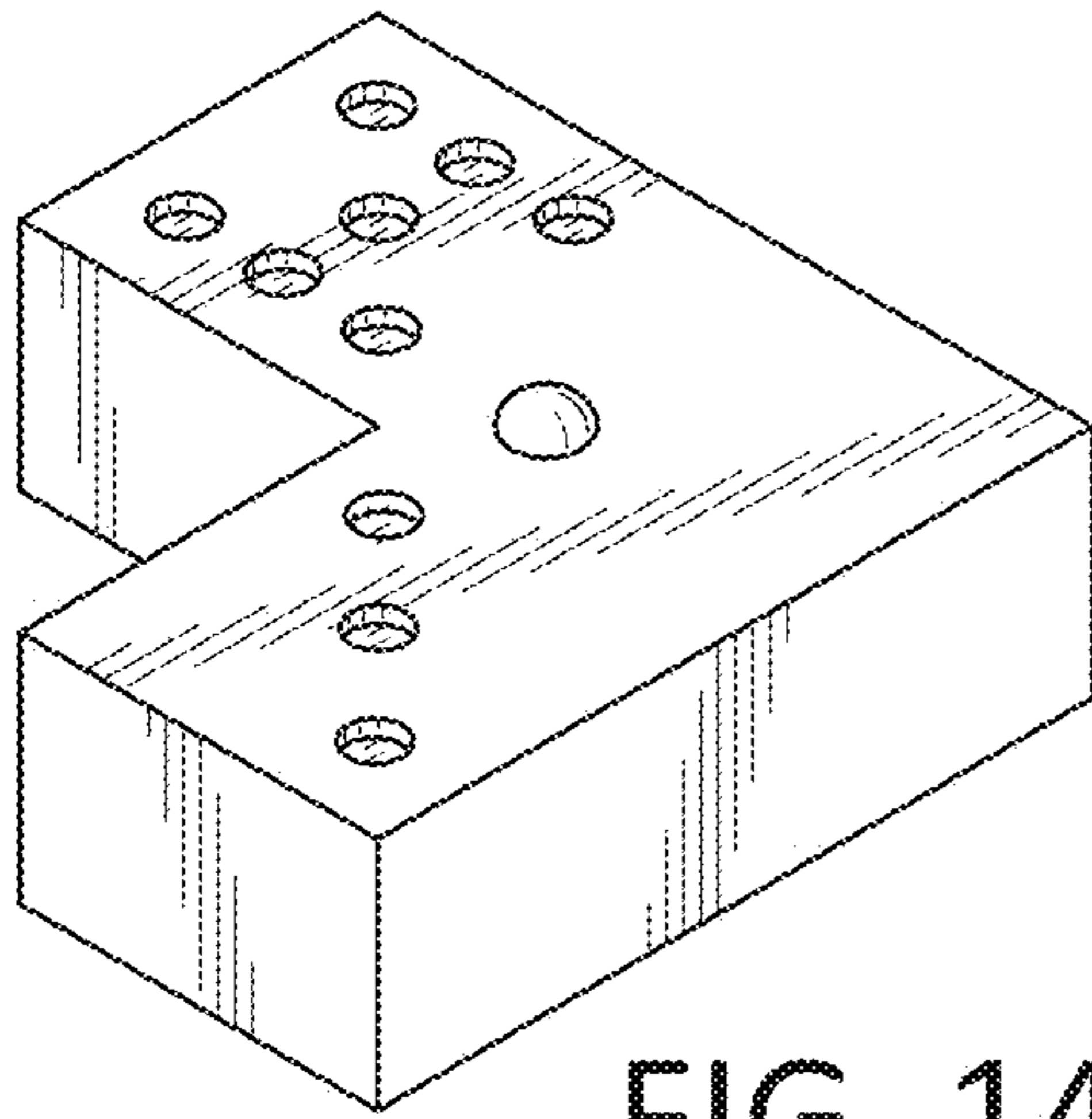


FIG. 147

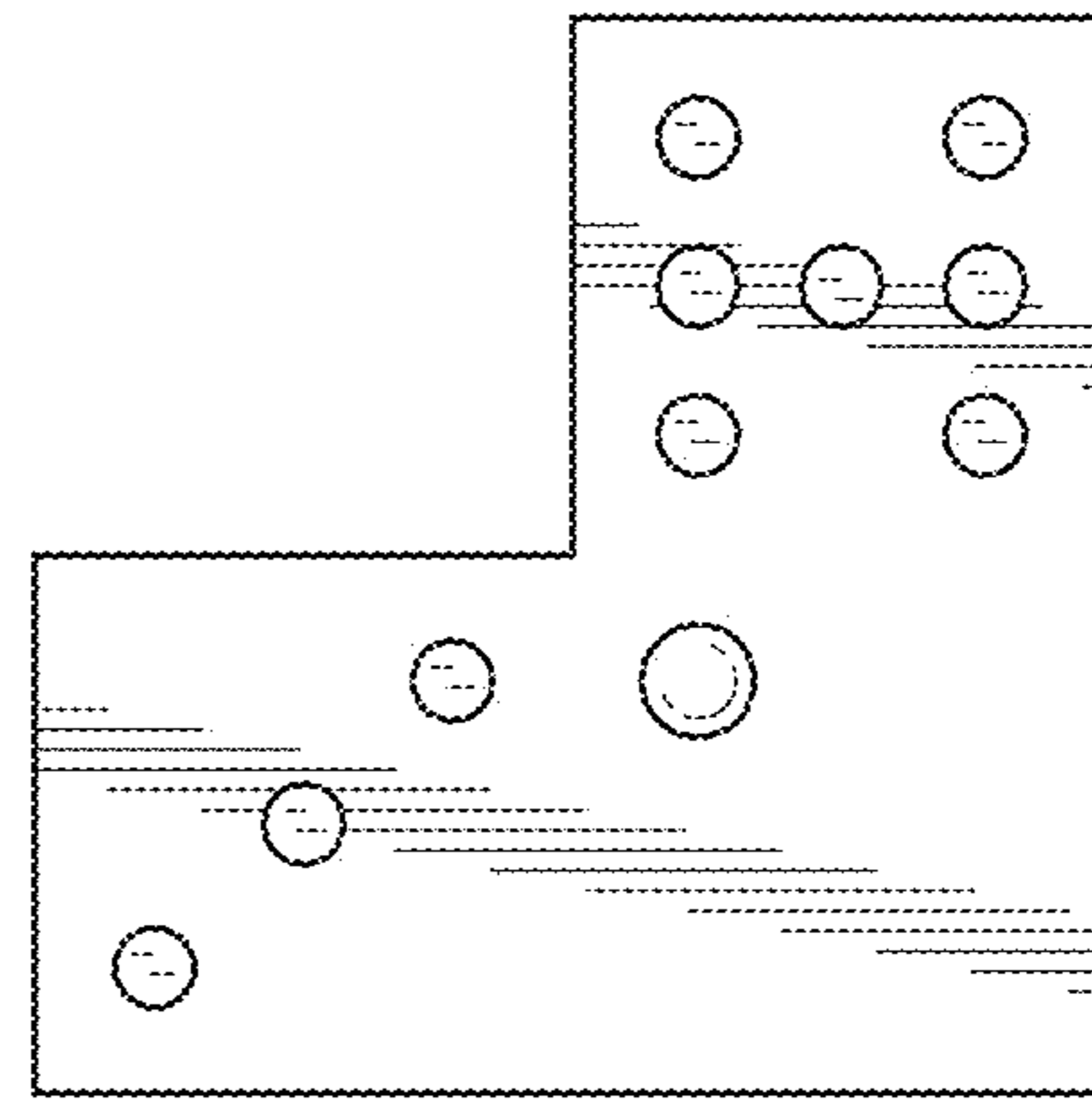


FIG. 148

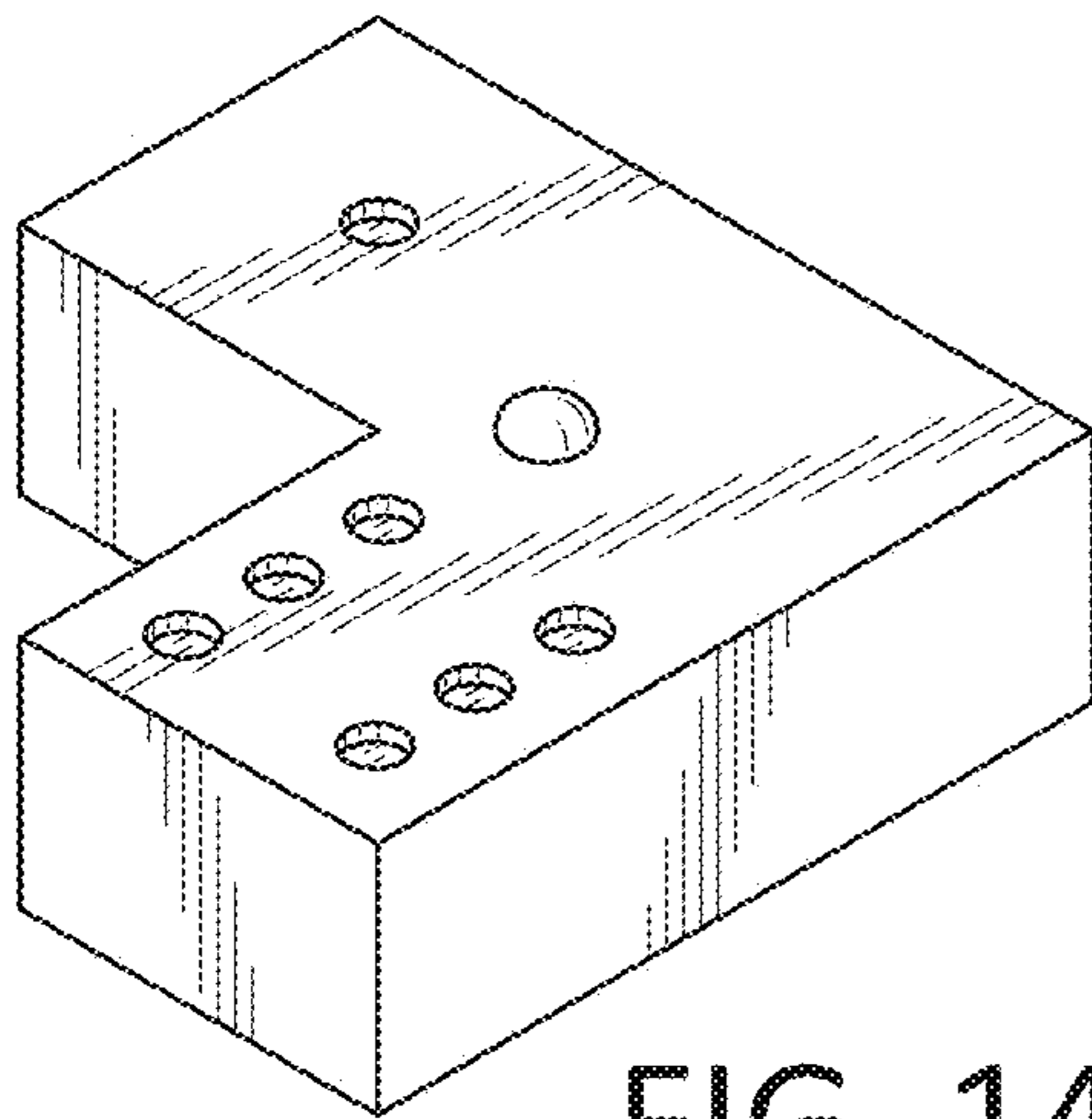


FIG. 149

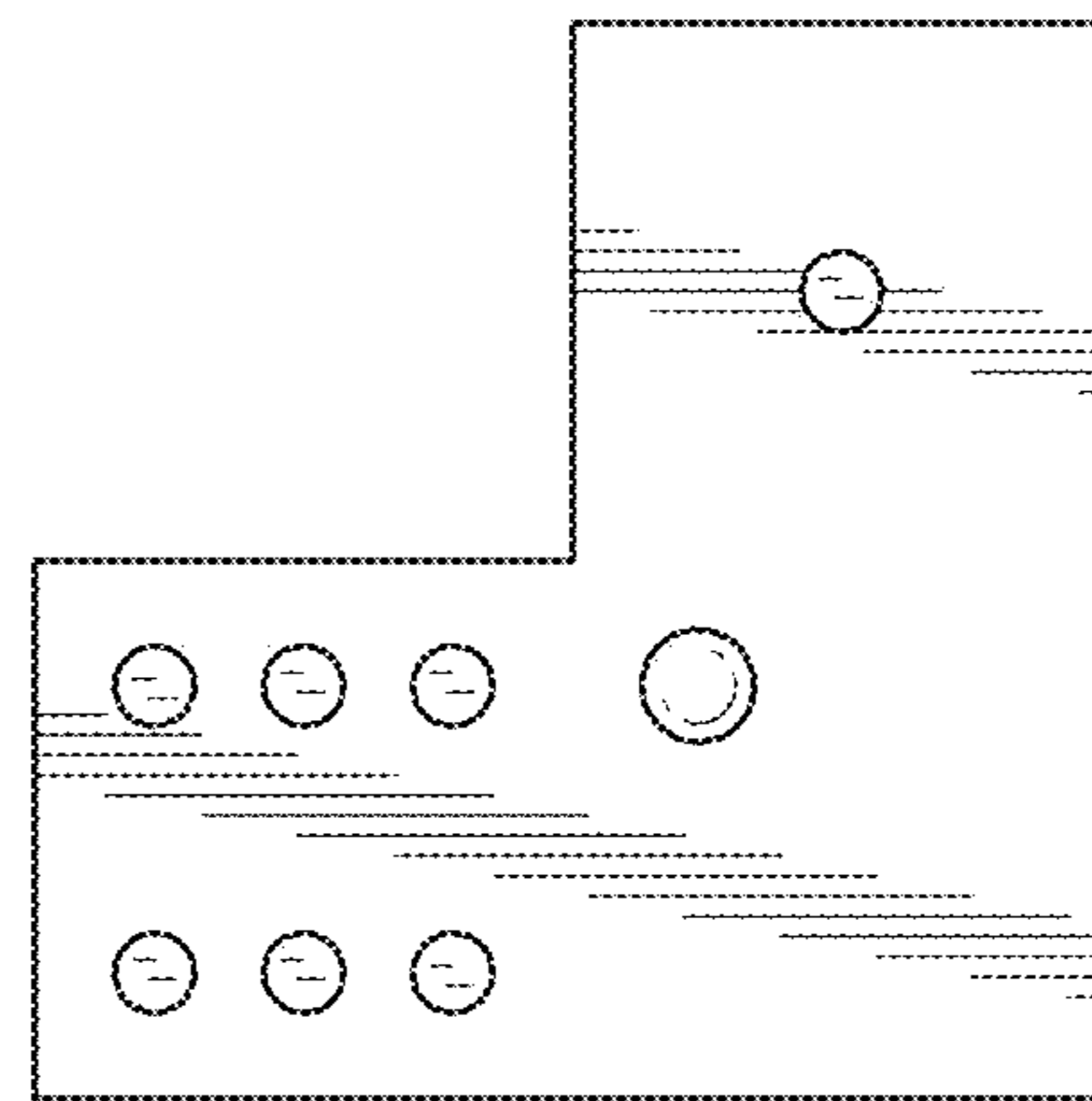


FIG. 150

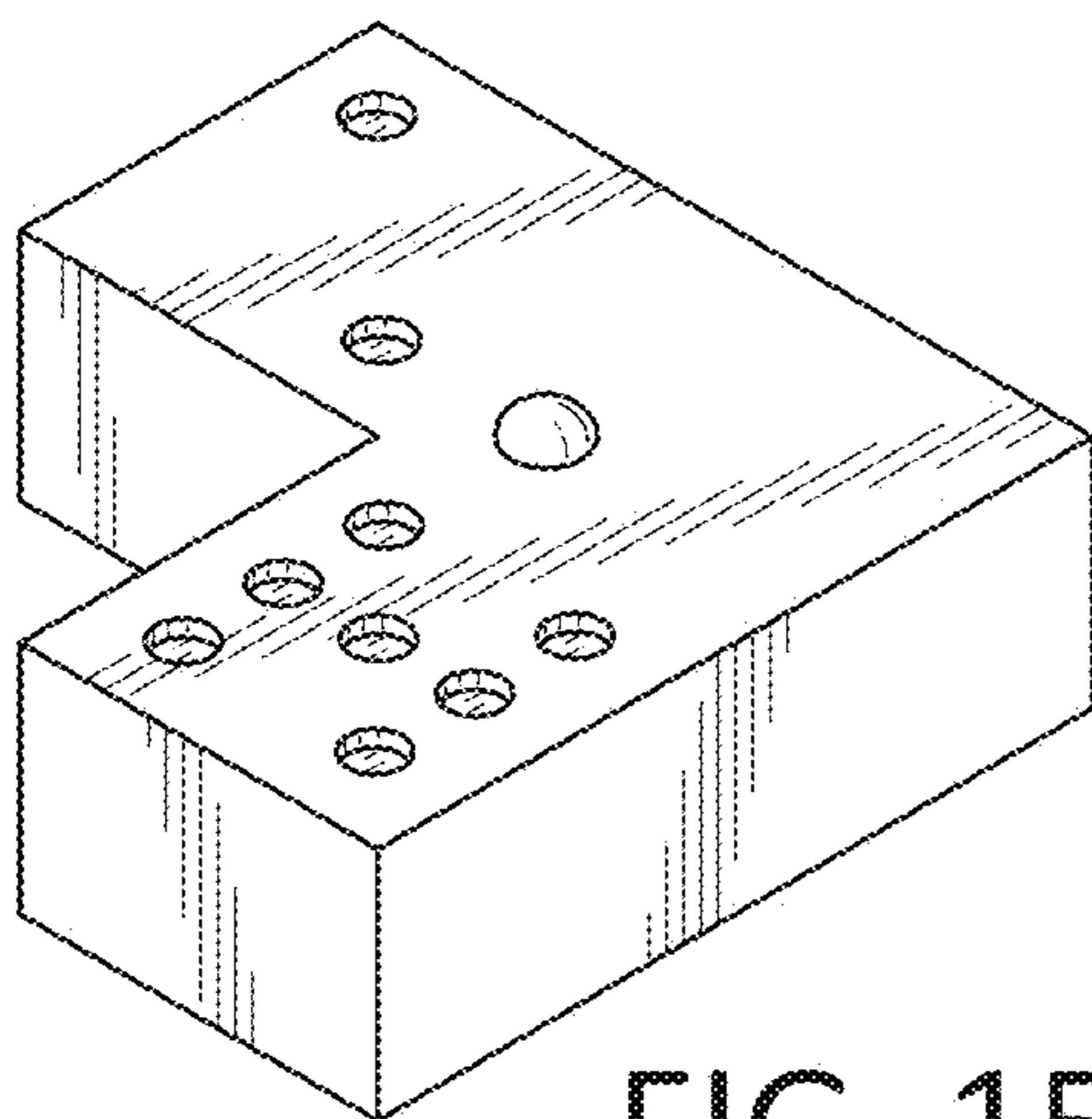


FIG. 151

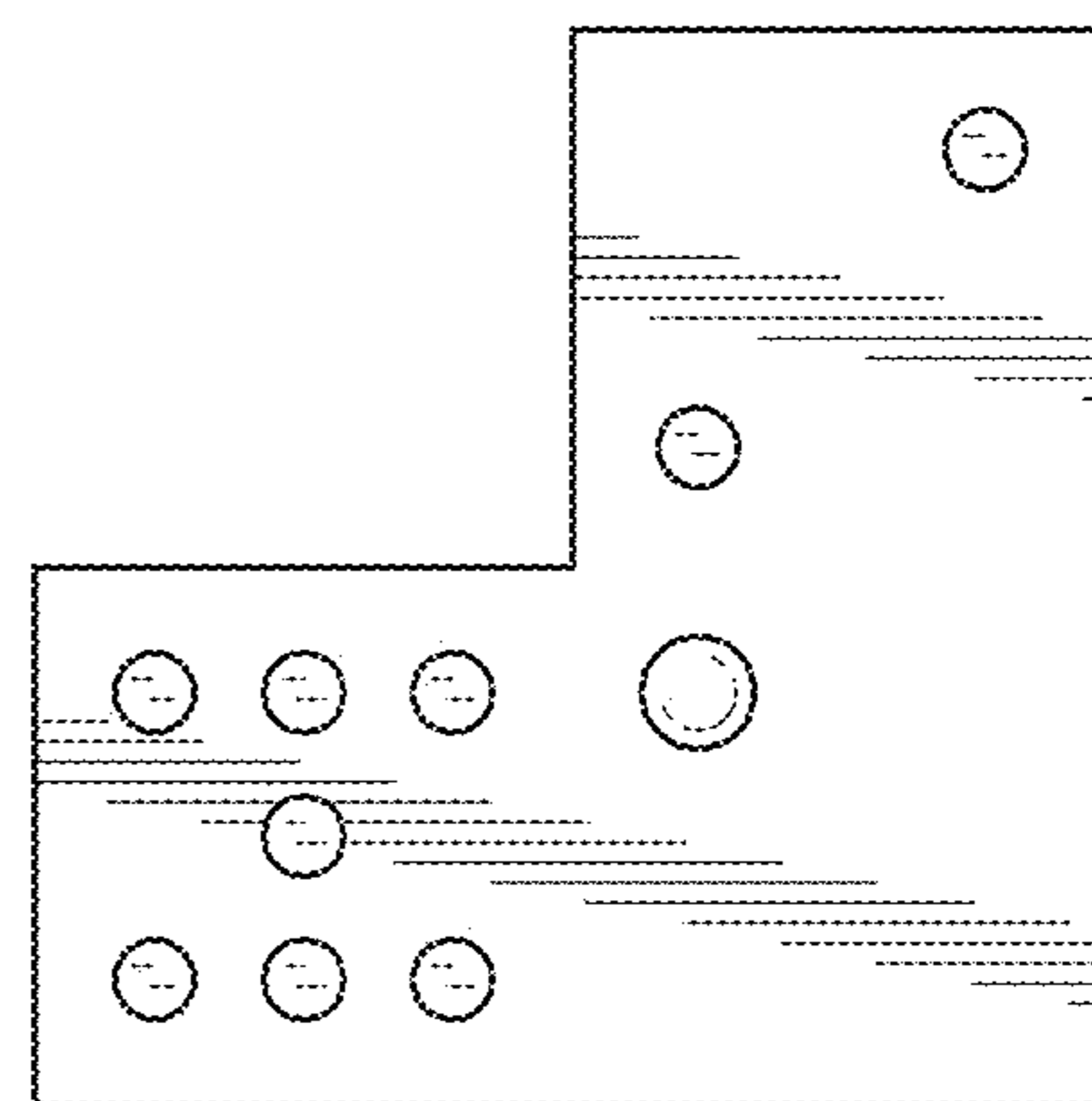


FIG. 152

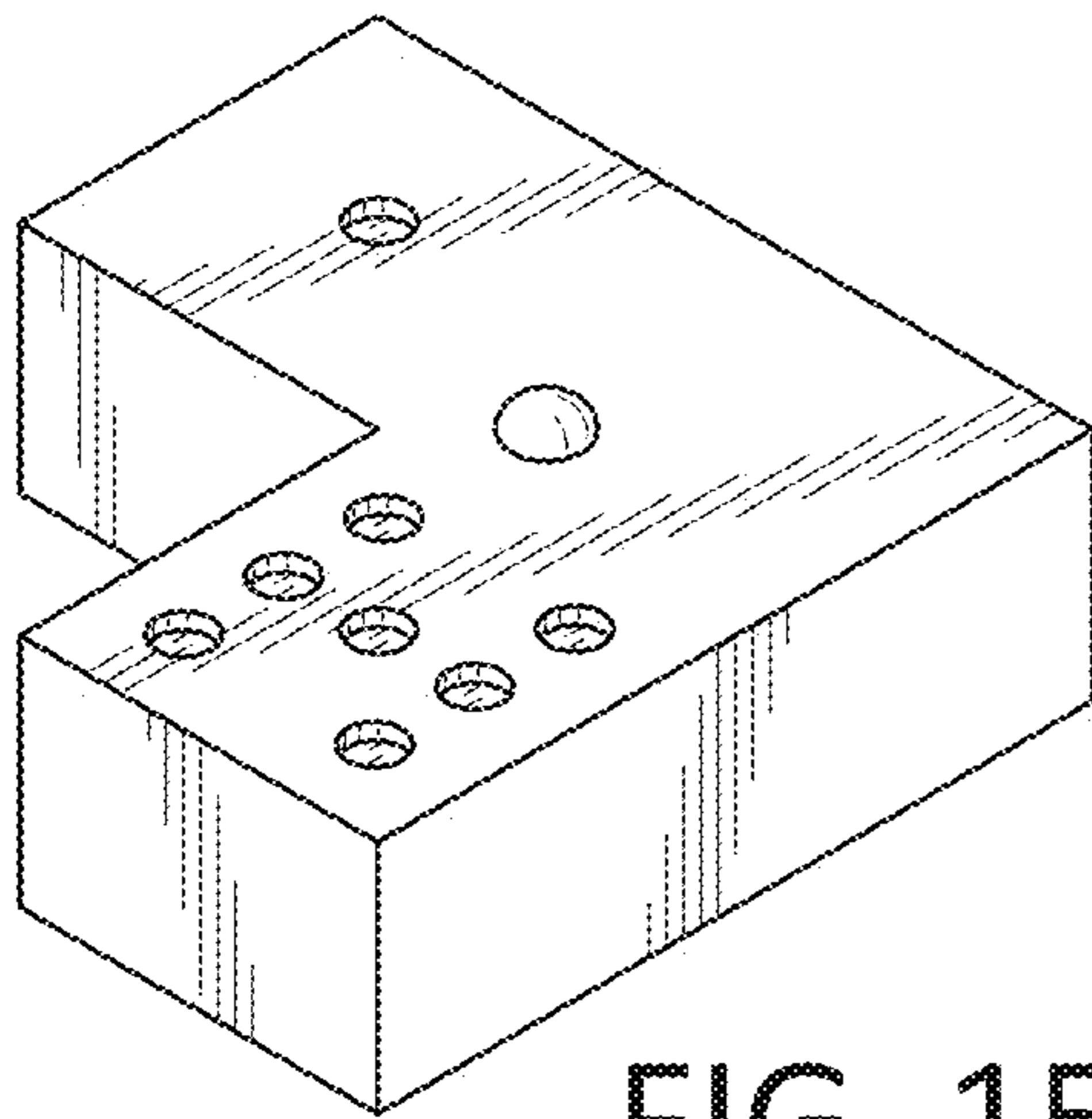


FIG. 153

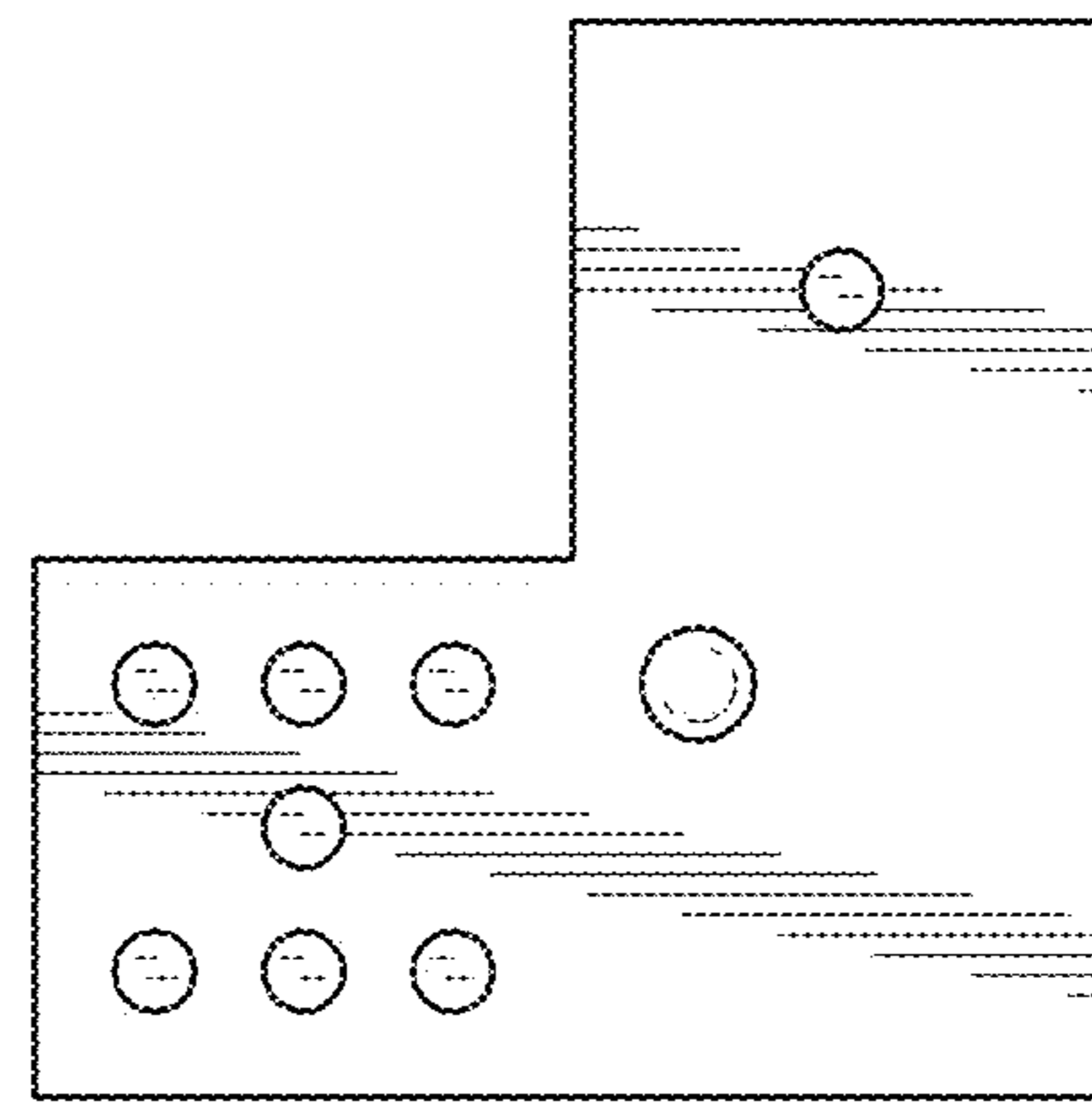


FIG. 154