



US00D906435S

(12) **United States Design Patent**  
**Gronau et al.**

(10) **Patent No.:** **US D906,435 S**

(45) **Date of Patent:** **\*\* Dec. 29, 2020**

- (54) **RFID READER FOR GAMING TABLE**
- (71) Applicant: **Gaming Partners International USA, Inc.**, Las Vegas, NV (US)
- (72) Inventors: **Gregory Scott Gronau**, Las Vegas, NV (US); **Emmanuel Sylvain Gelinotte**, Savigny les Beaune (FR); **Jonathan Nathanael Souillot**, St.-Marcel (FR)
- (73) Assignee: **GAMING PARTNERS INTERNATIONAL USA, INC.**, North Las Vegas, NV (US)

- 6,152,451 A \* 11/2000 Bixby ..... A47B 25/00  
273/309
- D438,574 S \* 3/2001 Olsen ..... D21/334
- D530,926 S \* 10/2006 Sellers ..... D6/300
- D595,787 S \* 7/2009 Palmer ..... D21/392
- 7,694,968 B2 \* 4/2010 Sims, Jr. .... G02B 27/022  
273/148 R
- D627,834 S \* 11/2010 Willis ..... D21/396
- D667,829 S \* 9/2012 Berntsen ..... D14/435
- D686,208 S \* 7/2013 Miller ..... D14/385
- D687,829 S \* 8/2013 Miller ..... D14/385
- D688,241 S \* 8/2013 Miller ..... D14/385
- D695,357 S \* 12/2013 Shigeta ..... G07F 17/322  
D21/396

(Continued)

(\*\*) Term: **15 Years**

(21) Appl. No.: **29/619,540**

(22) Filed: **Sep. 29, 2017**

(51) **LOC (12) Cl.** ..... **21-01**

(52) **U.S. Cl.**  
USPC ..... **D21/385**

(58) **Field of Classification Search**  
USPC ..... D21/300, 334-342, 345-349, 362, 363,  
D21/365-369, 371, 374, 375-385,  
D21/392-397  
CPC .... A63F 1/00; A63F 1/005; A63F 1/06; A63F  
1/067; A63F 1/12; A63F 1/14; A63F  
1/16; A63F 1/18; A63F 3/00157; A63F  
3/00164; A63F 3/00167; A63F 3/0017  
See application file for complete search history.

(56) **References Cited**

**U.S. PATENT DOCUMENTS**

- D317,951 S \* 7/1991 Miller ..... G07F 17/322  
D16/130
- 5,312,104 A \* 5/1994 Miller ..... A63F 1/06  
273/148 R
- 5,362,053 A \* 11/1994 Miller ..... A63F 1/06  
273/148 R

*Primary Examiner* — George D. Kirschbaum

*Assistant Examiner* — Joseph K Kukella

(74) *Attorney, Agent, or Firm* — Morris, Manning & Martin, LLP; Adam J. Thompson

(57) **CLAIM**

The ornamental design for the RFID reader for gaming table, as shown and described.

**DESCRIPTION**

FIG. 1 is a top perspective view of an RFID reader for gaming table.

FIG. 2 is another top perspective view thereof.

FIG. 3 is a front view thereof.

FIG. 4 is a rear view thereof.

FIG. 5 is a side view thereof.

FIG. 6 is a side view thereof, from the side opposite that of FIG. 5.

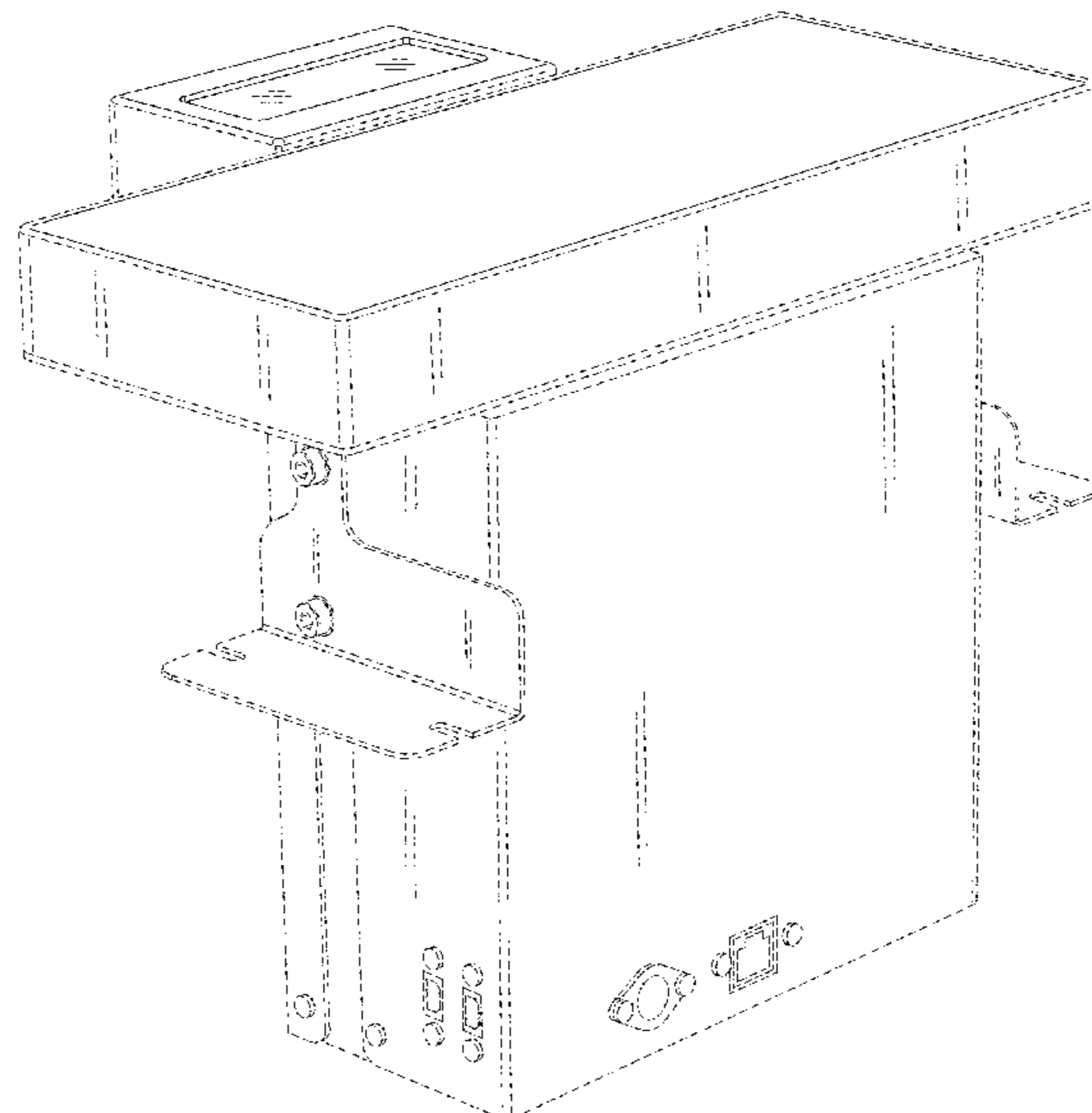
FIG. 7 is a top plan view thereof.

FIG. 8 is a bottom plan view thereof; and,

FIG. 9 is a perspective view of the RFID reader for gaming table in a gaming table.

The broken lines depicted in FIGS. 1-18 are for the purpose of illustrating environmental structure and form no part of the claimed design.

**1 Claim, 9 Drawing Sheets**



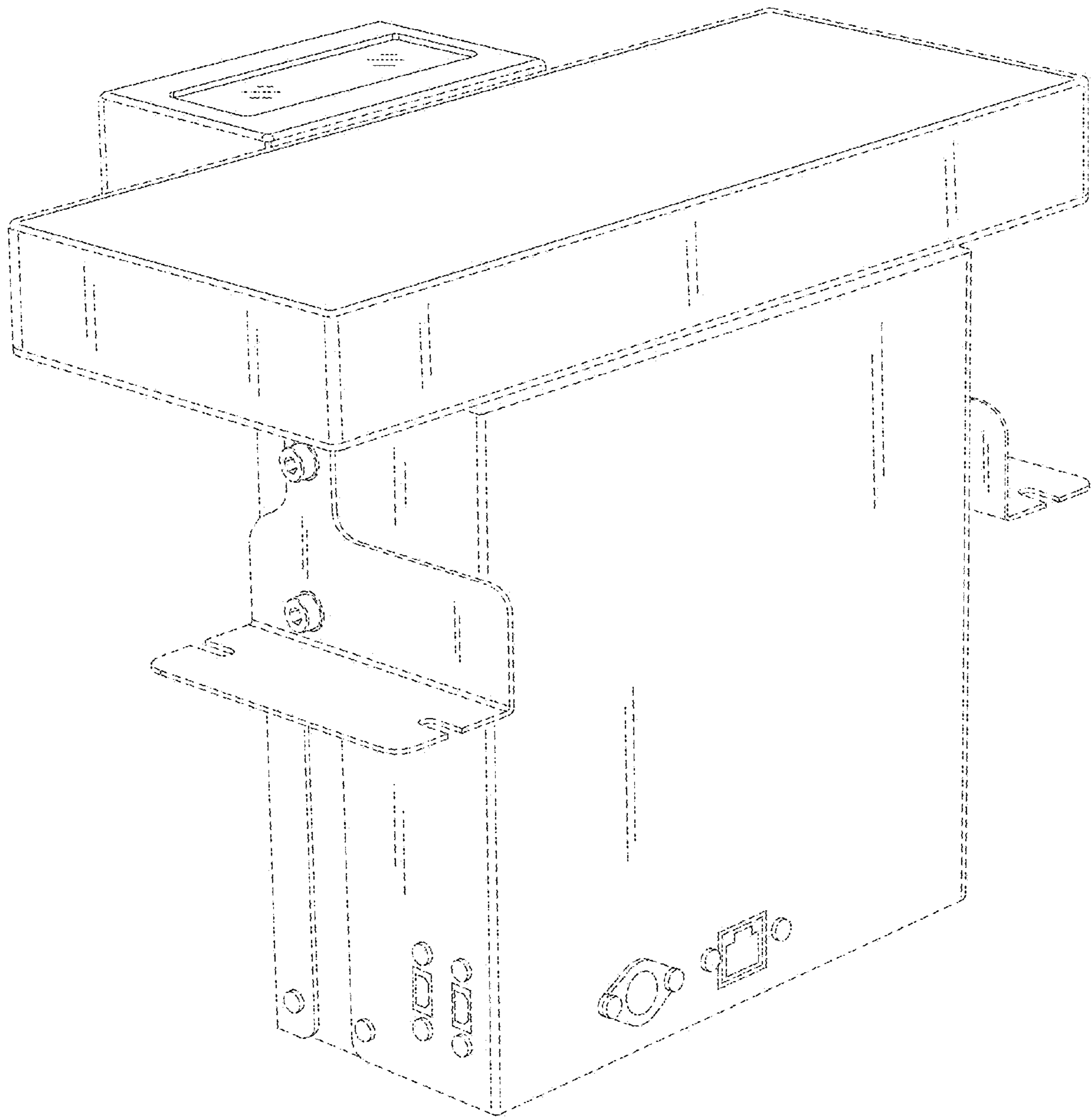
(56)

**References Cited**

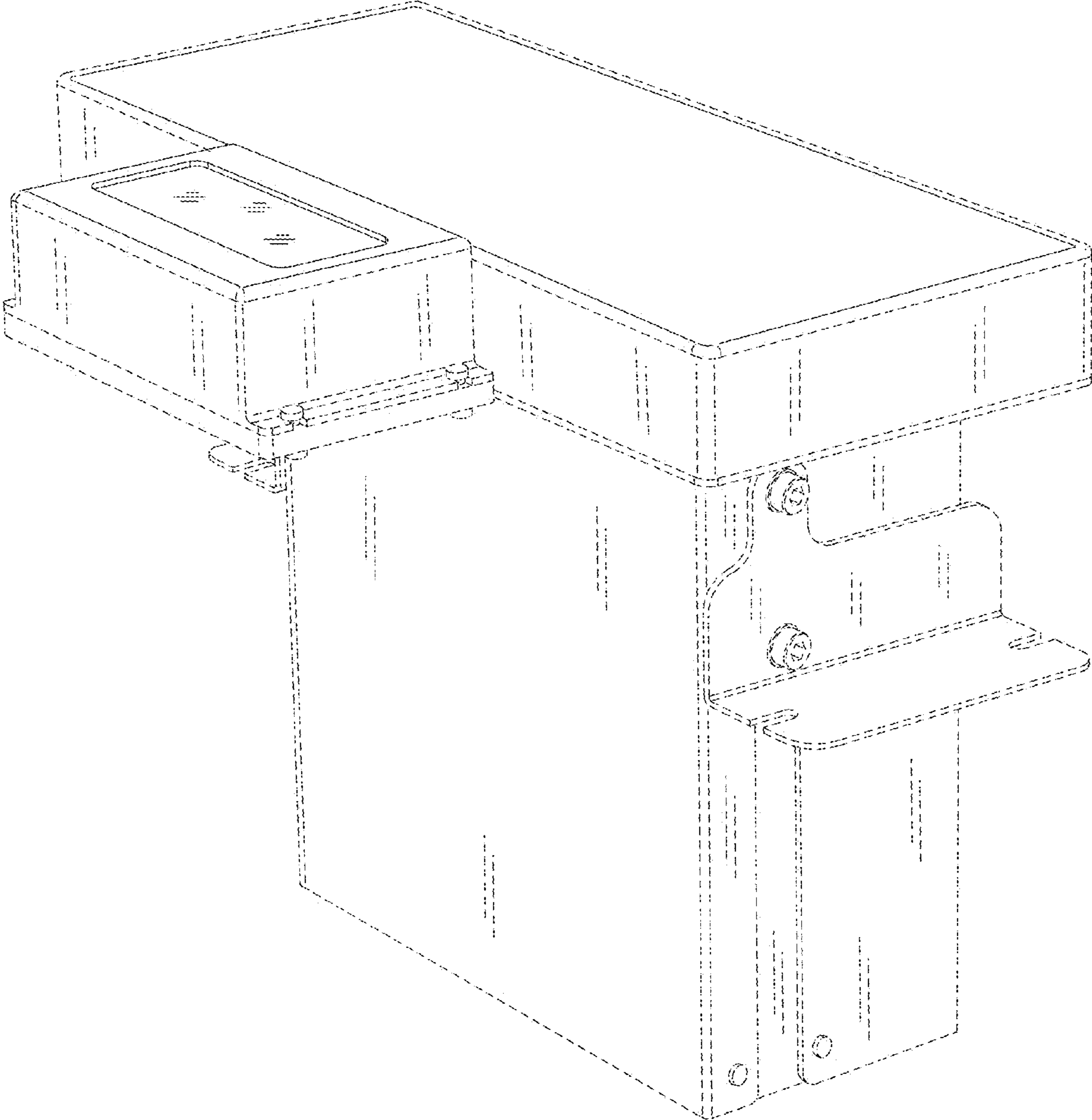
U.S. PATENT DOCUMENTS

D705,364 S \* 5/2014 Miller et al. .... G02B 27/022  
D21/396  
D713,473 S \* 9/2014 Kuo ..... D21/392  
D807,437 S \* 1/2018 Rivera ..... A63F 1/06  
D21/394  
D839,965 S \* 2/2019 Miller ..... G07F 17/322  
D21/392  
D881,996 S \* 4/2020 Clark ..... D21/385  
2008/0004108 A1 \* 1/2008 Klinkhammer ..... G07F 17/329  
463/29  
2009/0054159 A1 \* 2/2009 Gadda ..... G07F 17/322  
463/46

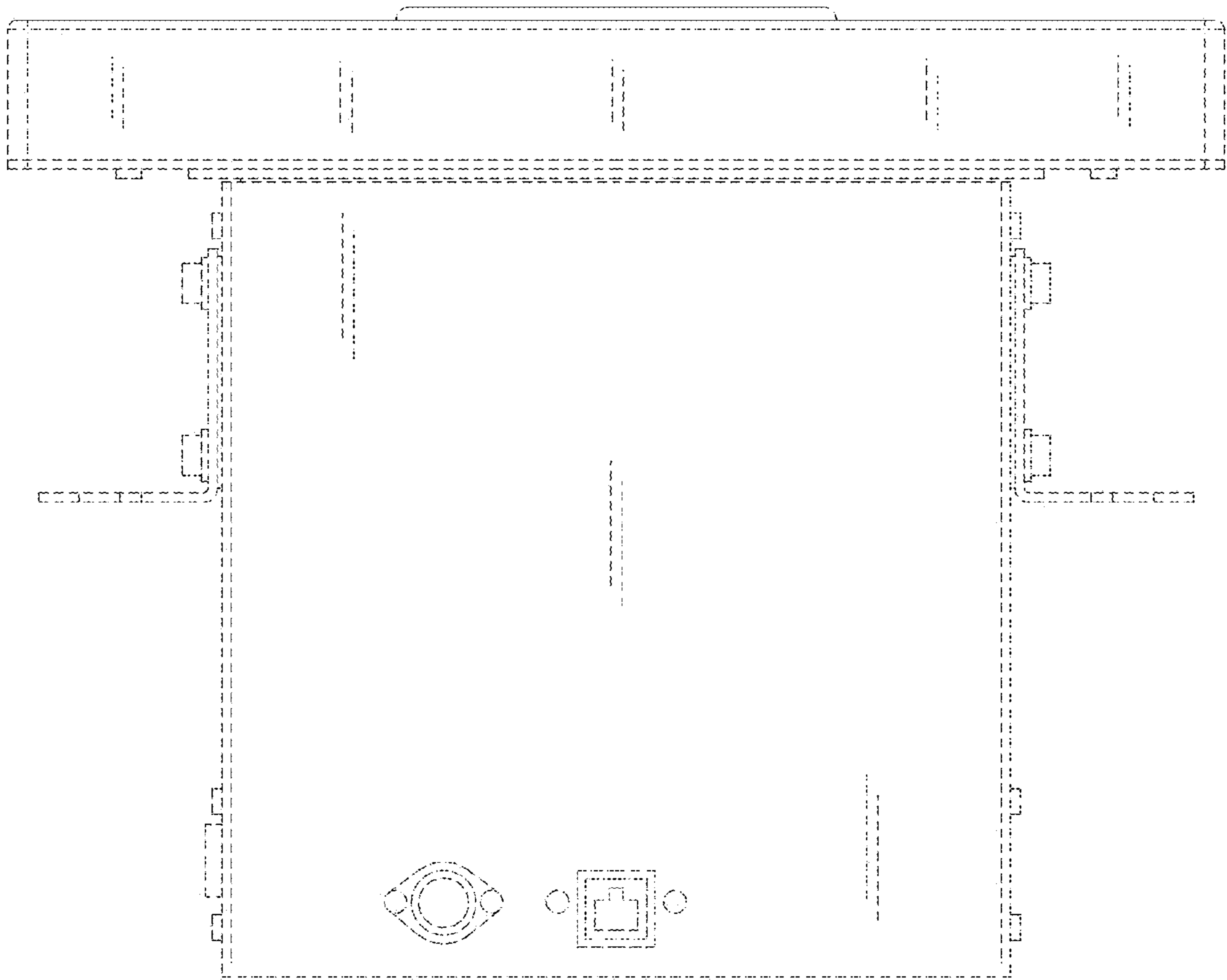
\* cited by examiner



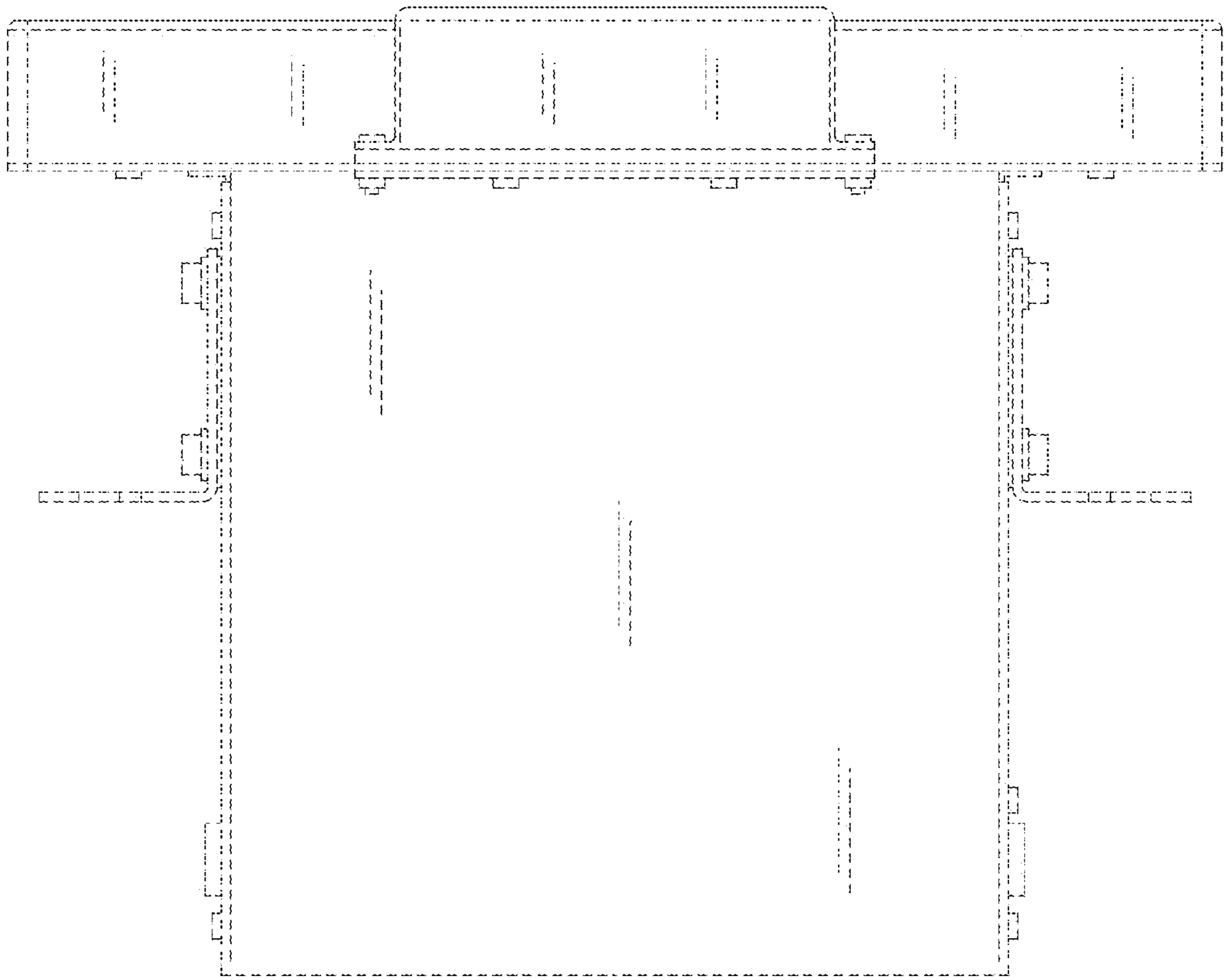
**FIG. 1**



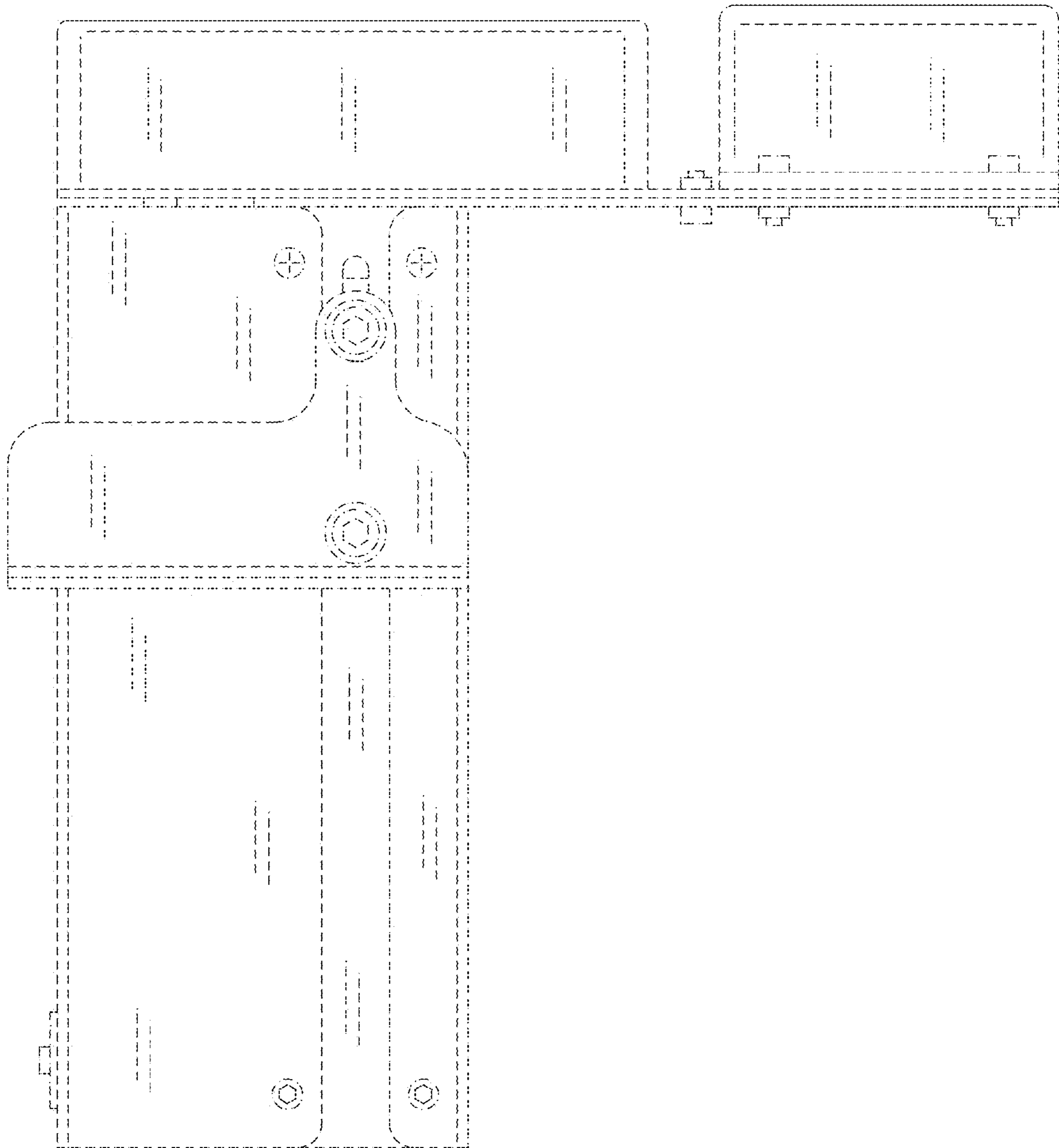
**FIG. 2**



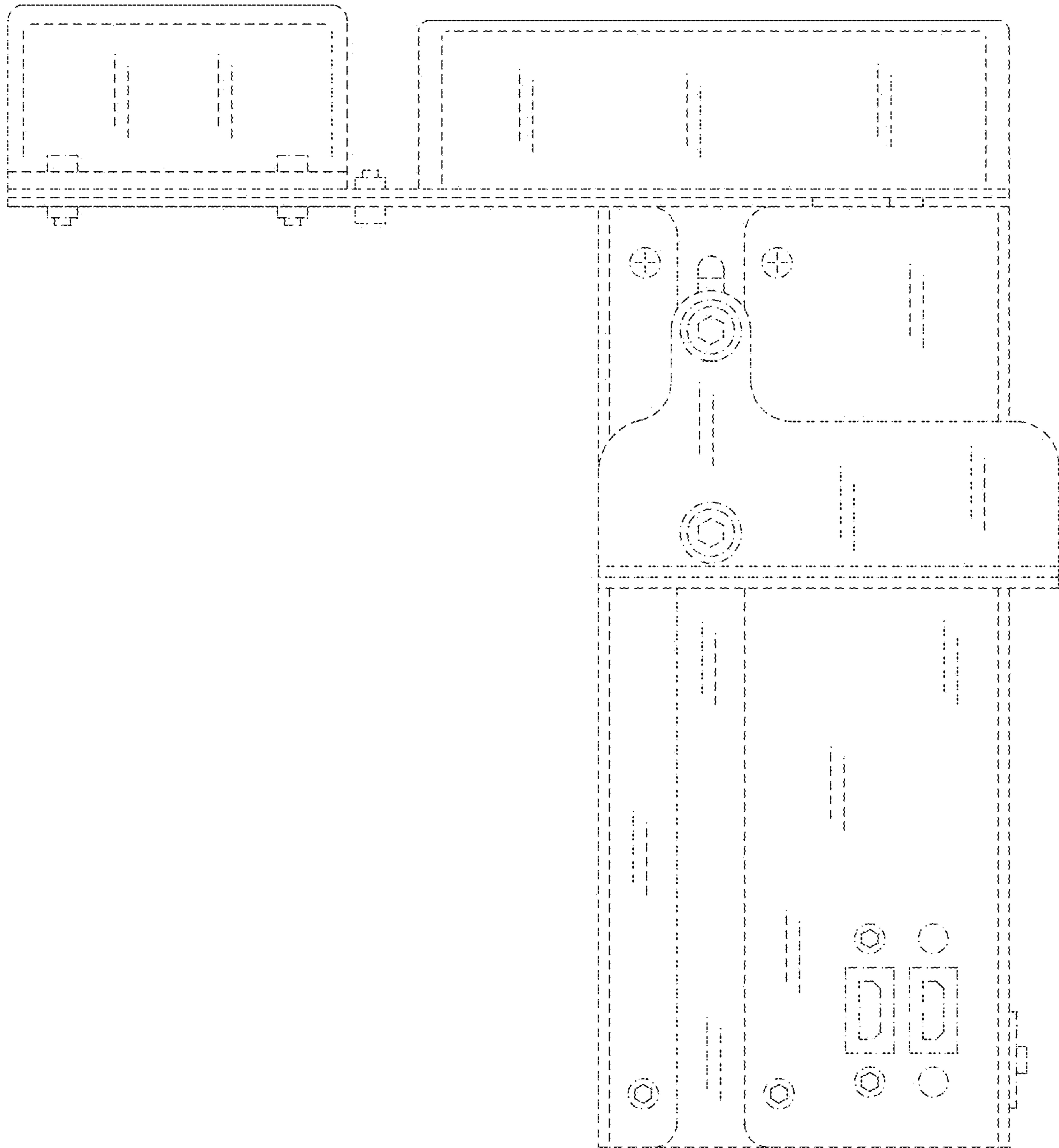
**FIG. 3**



**FIG. 4**

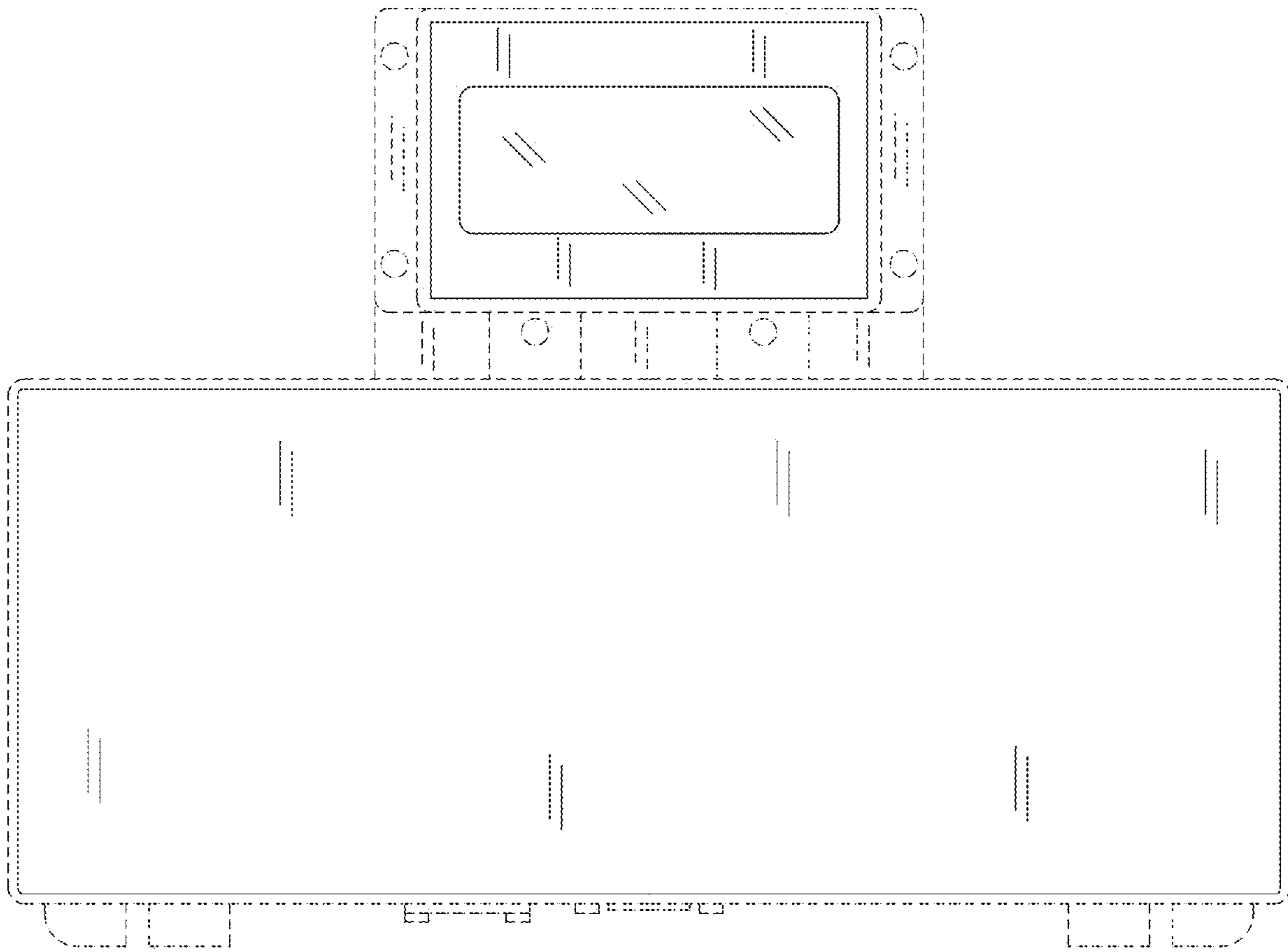


**FIG. 5**

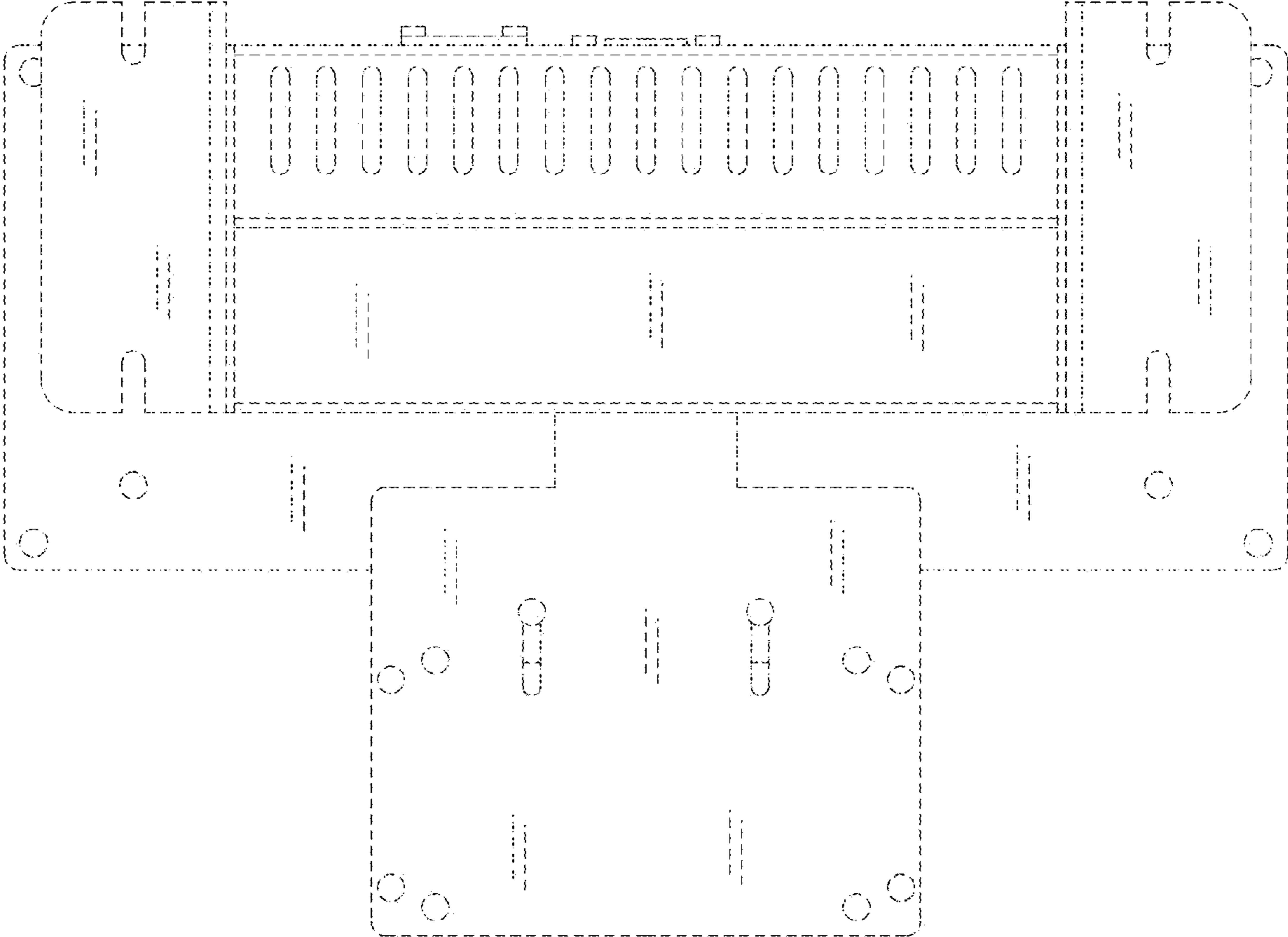


**FIG. 6**

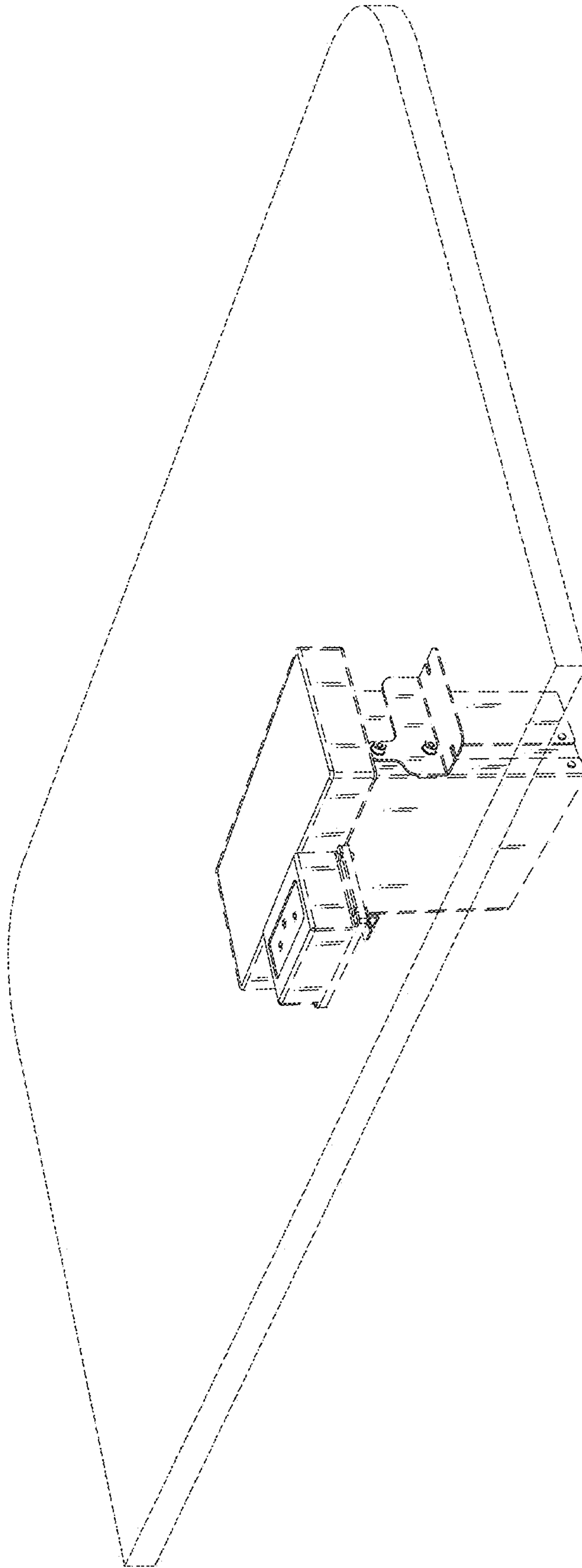




**FIG. 7**



**FIG. 8**



**FIG. 9**