



US00D906434S

(12) **United States Design Patent** (10) **Patent No.:** **US D906,434 S**  
**Xu** (45) **Date of Patent:** **\*\* Dec. 29, 2020**

(54) **DICE CUP WITH LID**  
(71) Applicant: **SHENZHEN TUOPUTENG TECHNOLOGY CO., LTD.**, Shenzhen (CN)  
(72) Inventor: **Wei Xu**, Shenzhen (CN)  
(73) Assignee: **SHENZHEN TUOPUTENG TECHNOLOGY CO., LTD.**, Shenzhen (CN)

1,802,479 A \* 4/1931 Robinson ..... A63F 9/0406  
273/145 A  
2,148,097 A \* 2/1939 Bowman ..... A63F 9/0406  
273/145 A  
2,148,102 A \* 2/1939 Brumer ..... A63F 9/0413  
273/146  
2,262,642 A \* 11/1941 Liberson ..... A63F 9/0406  
273/145 A  
3,269,732 A \* 8/1966 MacPherson ..... A63F 9/0406  
273/145 A  
3,614,105 A \* 10/1971 Dandini ..... A63F 1/00  
273/146  
4,239,223 A \* 12/1980 Wilson ..... A47G 19/2227  
273/115

(\*\*) Term: **15 Years**

(Continued)

(21) Appl. No.: **29/736,495**  
(22) Filed: **Jun. 1, 2020**  
(51) **LOC (12) Cl.** ..... **21-03**  
(52) **U.S. Cl.**  
USPC ..... **D21/372**  
(58) **Field of Classification Search**  
USPC ..... D21/373, 385, 346, 372, 492, 659, 340,  
D21/341, 347, 370, 371; 434/200;  
273/145 CA, 146, 248, 399, 142 E,  
273/145 D, 243, 236; 463/47, 22;  
D19/9; D9/715; 428/13  
CPC .. A63F 9/0406; A63F 2009/0411; A63F 9/04;  
A63F 2250/04; A63F 3/00157; A63F  
1/00; A63F 9/001; A63F 9/0413; A63F  
9/0495  
See application file for complete search history.

**OTHER PUBLICATIONS**

Reriver by reriver dated Mar. 22, 2020. Found online [Sep. 23, 2020] [https://www.amazon.com/RERIVER-Leatherette-Interior-Shaking-Yahtzee/dp/B07TTW26L3/ref=cm\\_cr\\_arp\\_d\\_product\\_top?ie=UTF8](https://www.amazon.com/RERIVER-Leatherette-Interior-Shaking-Yahtzee/dp/B07TTW26L3/ref=cm_cr_arp_d_product_top?ie=UTF8).\*

*Primary Examiner* — Ryan Harvey

(57) **CLAIM**

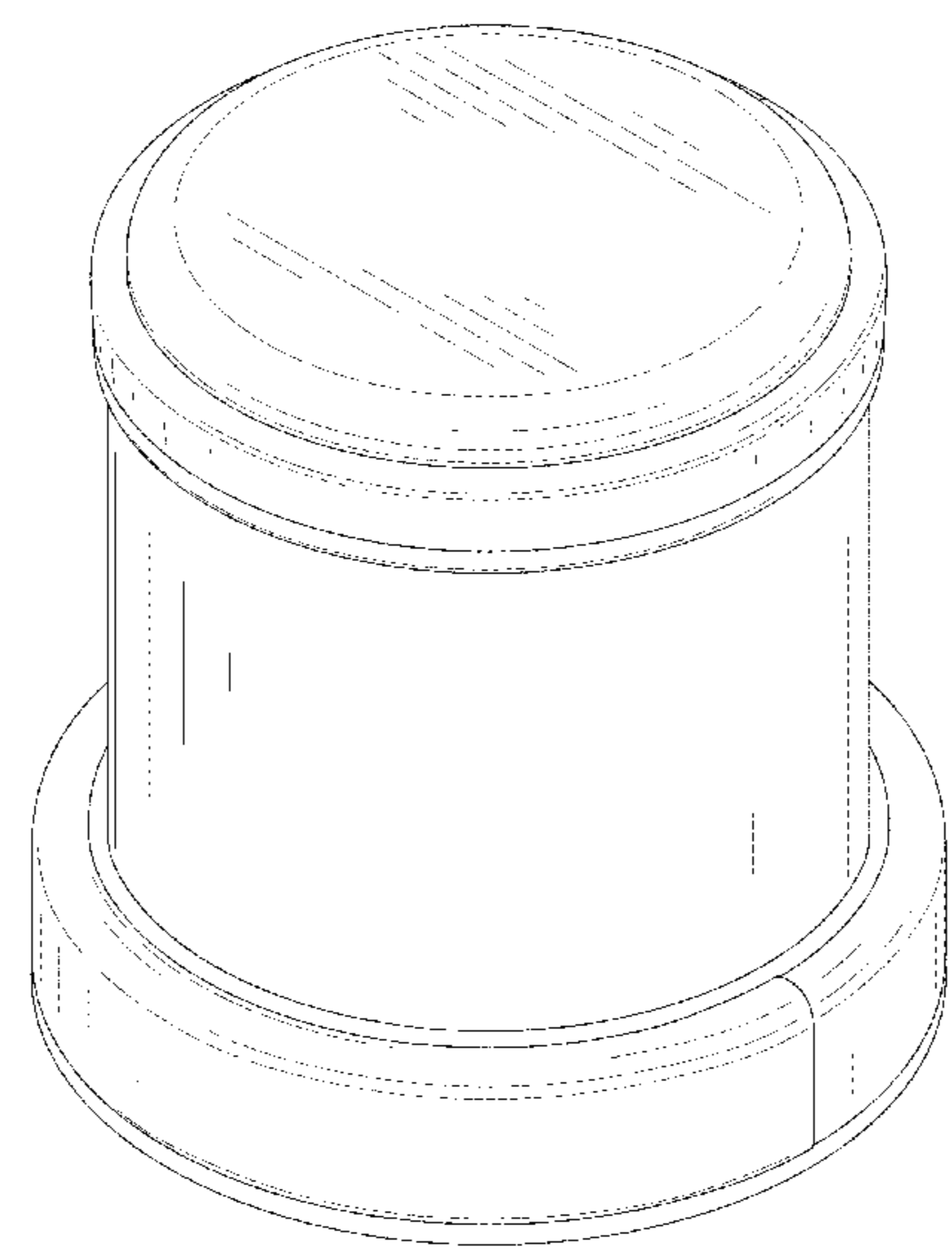
The ornamental design for a dice cup with lid, as shown and described.

**DESCRIPTION**

FIG. 1 is a perspective view of a dice cup with lid showing my new design;  
FIG. 2 is a front elevational view thereof;  
FIG. 3 is a rear elevational view thereof;  
FIG. 4 is a left side elevational view thereof;  
FIG. 5 is a right side elevational view thereof;  
FIG. 6 is a top plan view thereof;  
FIG. 7 is a bottom plan view thereof; and,  
FIG. 8 is an exploded view thereof.  
The broken lines in the drawings depict portions of the dice cup with lid that form no part of the claimed design.

**1 Claim, 8 Drawing Sheets**

(56) **References Cited**  
U.S. PATENT DOCUMENTS  
1,538,455 A \* 5/1925 Winkel ..... A63F 9/0406  
273/145 C  
1,584,316 A \* 5/1926 Mayhew ..... A63F 9/0413  
273/146  
1,592,813 A \* 7/1926 Whitney ..... A63F 9/0406  
273/145 C  
1,629,142 A \* 5/1927 Bonell ..... A63F 9/0406  
273/145 A



(56)

**References Cited**

U.S. PATENT DOCUMENTS

4,327,911 A \* 5/1982 Ptaszek ..... A63F 9/0098  
 273/445  
 4,469,329 A \* 9/1984 Guyer ..... A63F 9/0406  
 273/146  
 4,533,143 A \* 8/1985 Albright ..... A63F 7/048  
 273/144 B  
 5,259,618 A \* 11/1993 Ramos ..... A63F 9/0406  
 215/330  
 D348,695 S \* 7/1994 Simms ..... D21/372  
 D383,385 S \* 9/1997 Hayduk ..... D21/372  
 D393,288 S \* 4/1998 Paolucci ..... D21/371  
 D394,884 S \* 6/1998 Paolucci ..... D21/372  
 D403,364 S \* 12/1998 Paolucci ..... D21/373  
 6,062,563 A \* 5/2000 de Keller ..... A63F 3/00157  
 273/146  
 7,185,889 B2 \* 3/2007 VanZanten ..... A63F 3/00157  
 273/144 R  
 7,503,563 B2 \* 3/2009 Bowman ..... A63F 7/041  
 273/108  
 7,931,275 B1 \* 4/2011 Strickland ..... A63F 1/00  
 273/146  
 D723,105 S \* 2/2015 Henning ..... D21/372  
 2009/0322023 A1 12/2009 Denoual  
 2011/0006478 A1 \* 1/2011 Cline ..... A63F 9/04  
 273/146  
 2014/0319770 A1 \* 10/2014 Mizanoski ..... A63F 9/04  
 273/146

\* cited by examiner

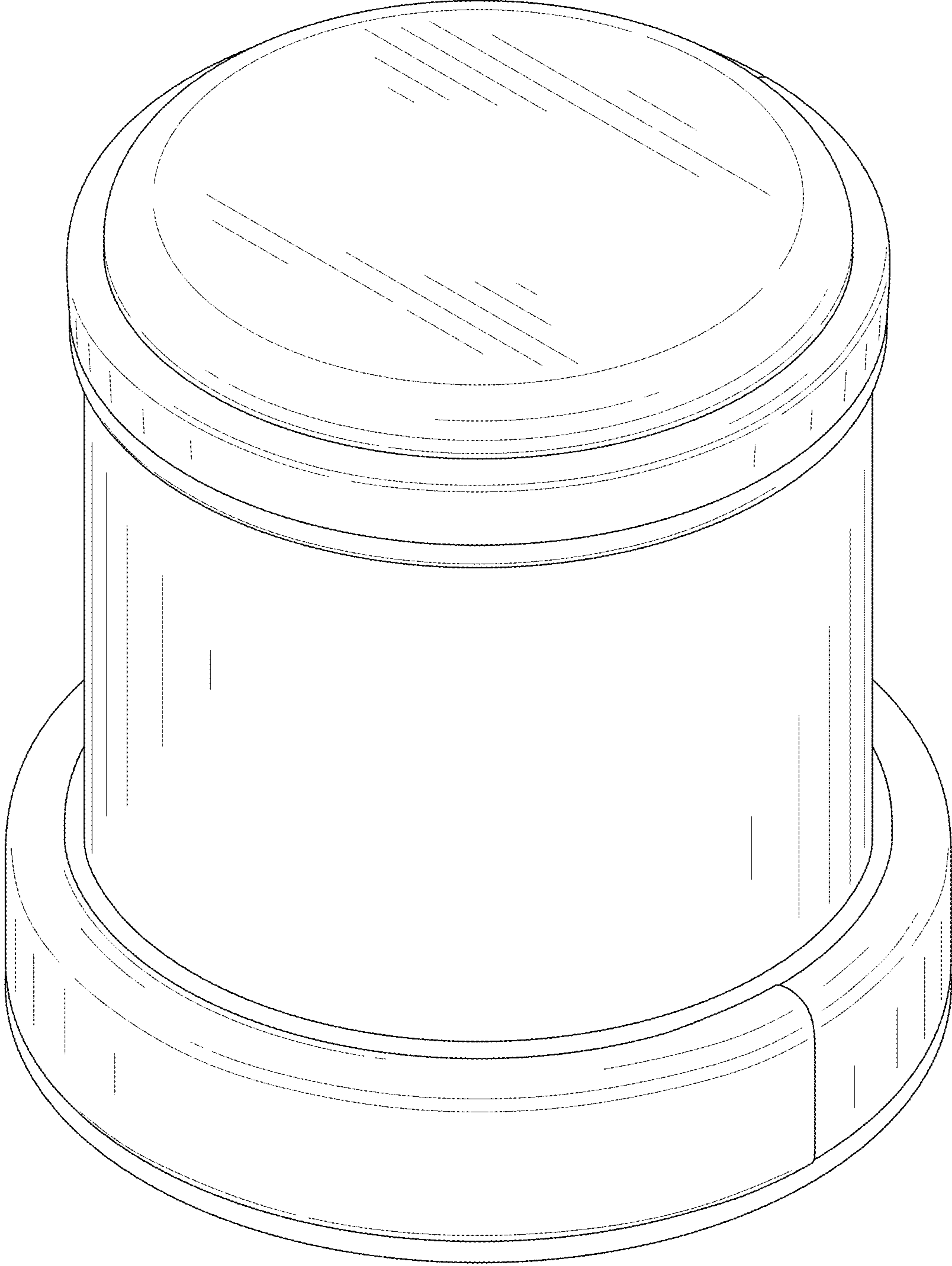


FIG. 1

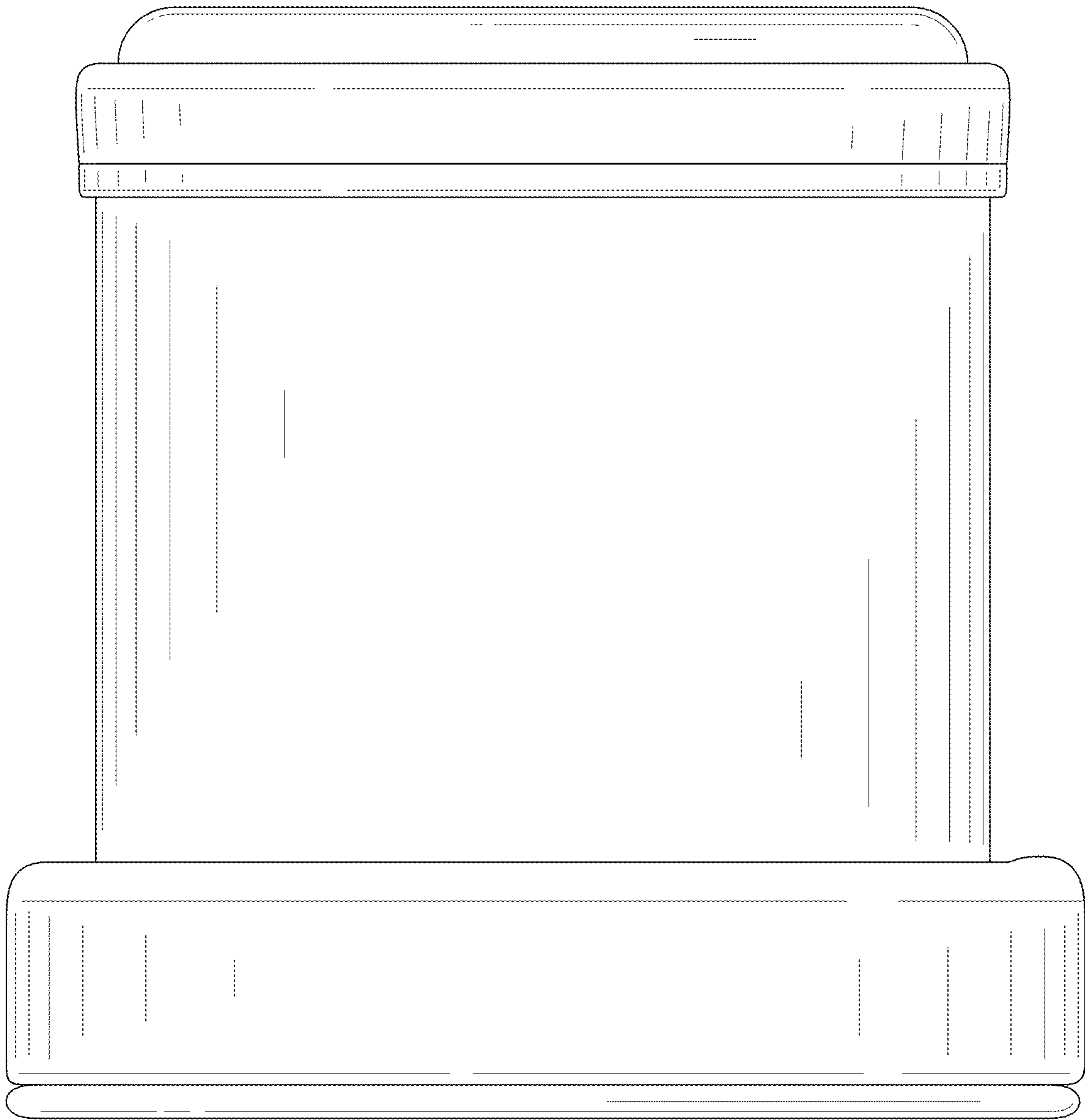


FIG. 2

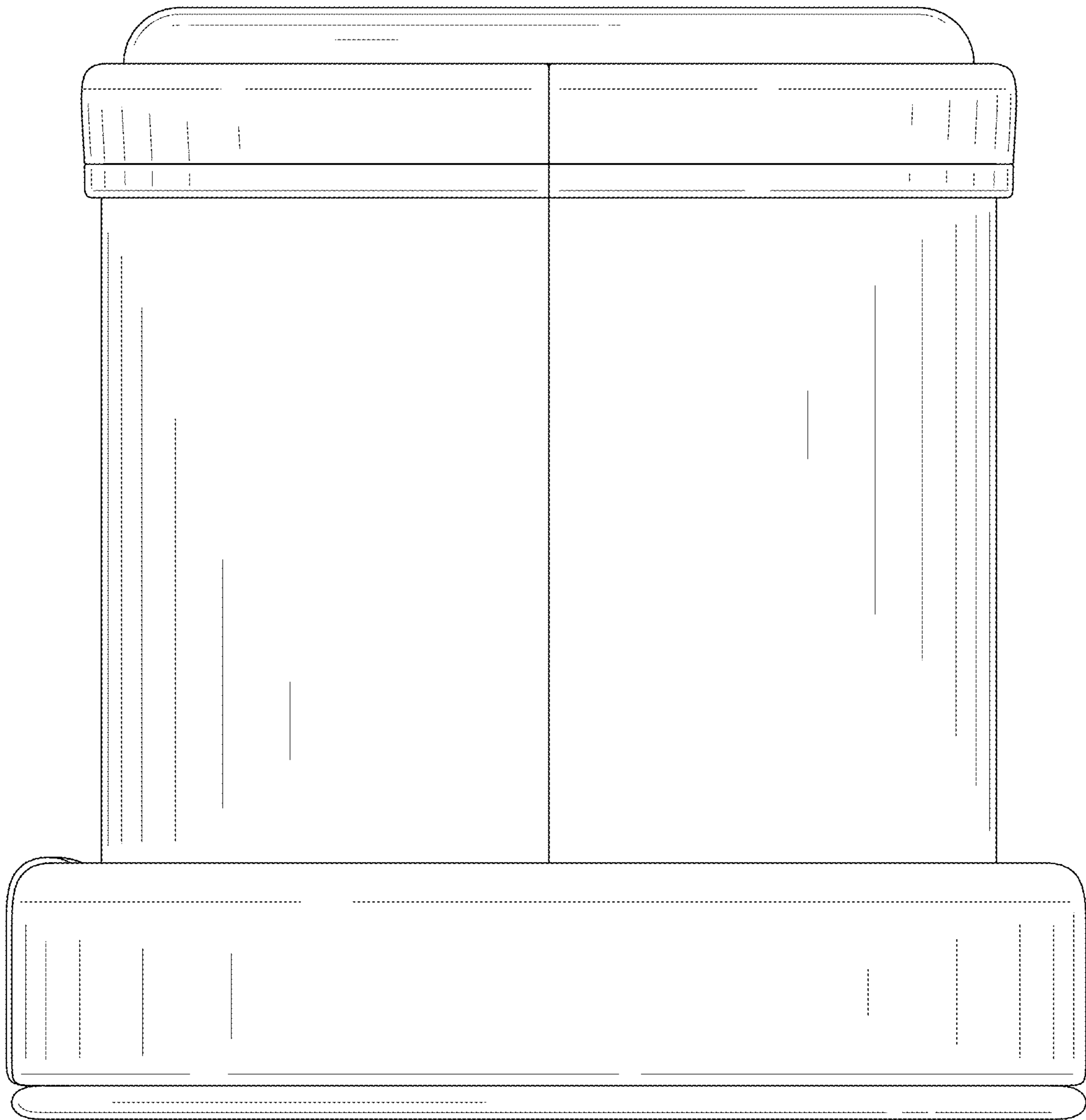


FIG. 3

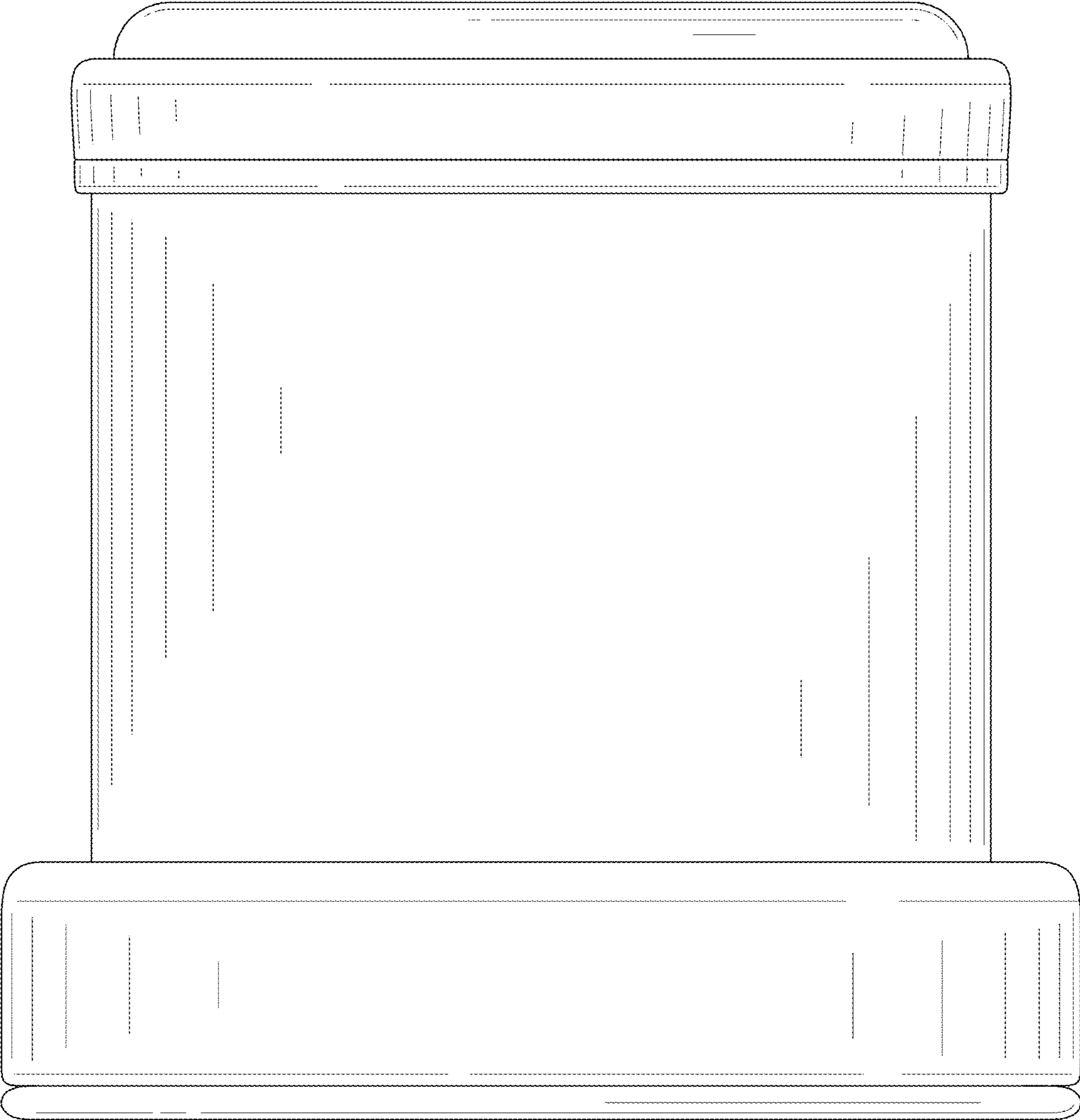


FIG. 4

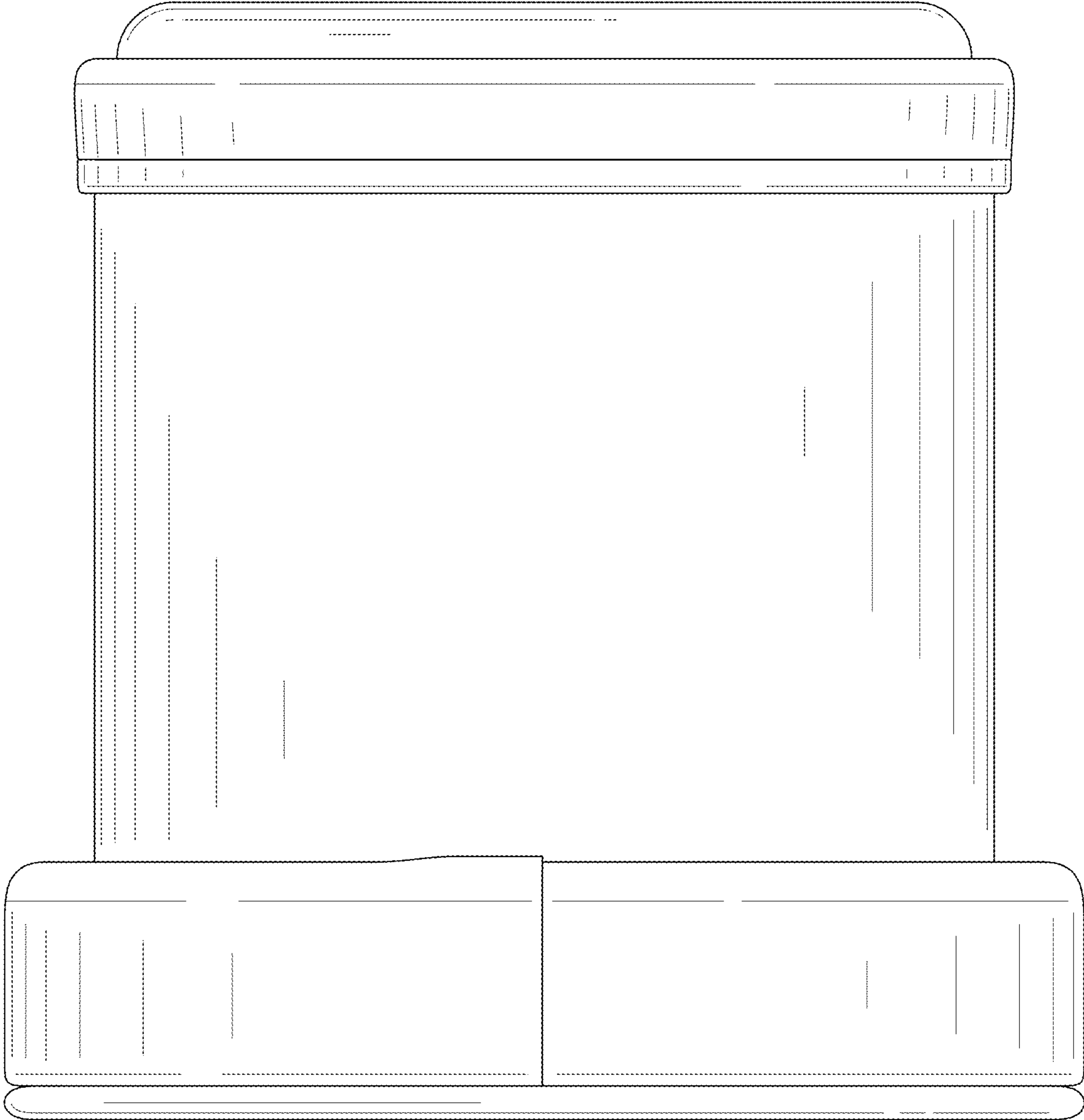


FIG. 5

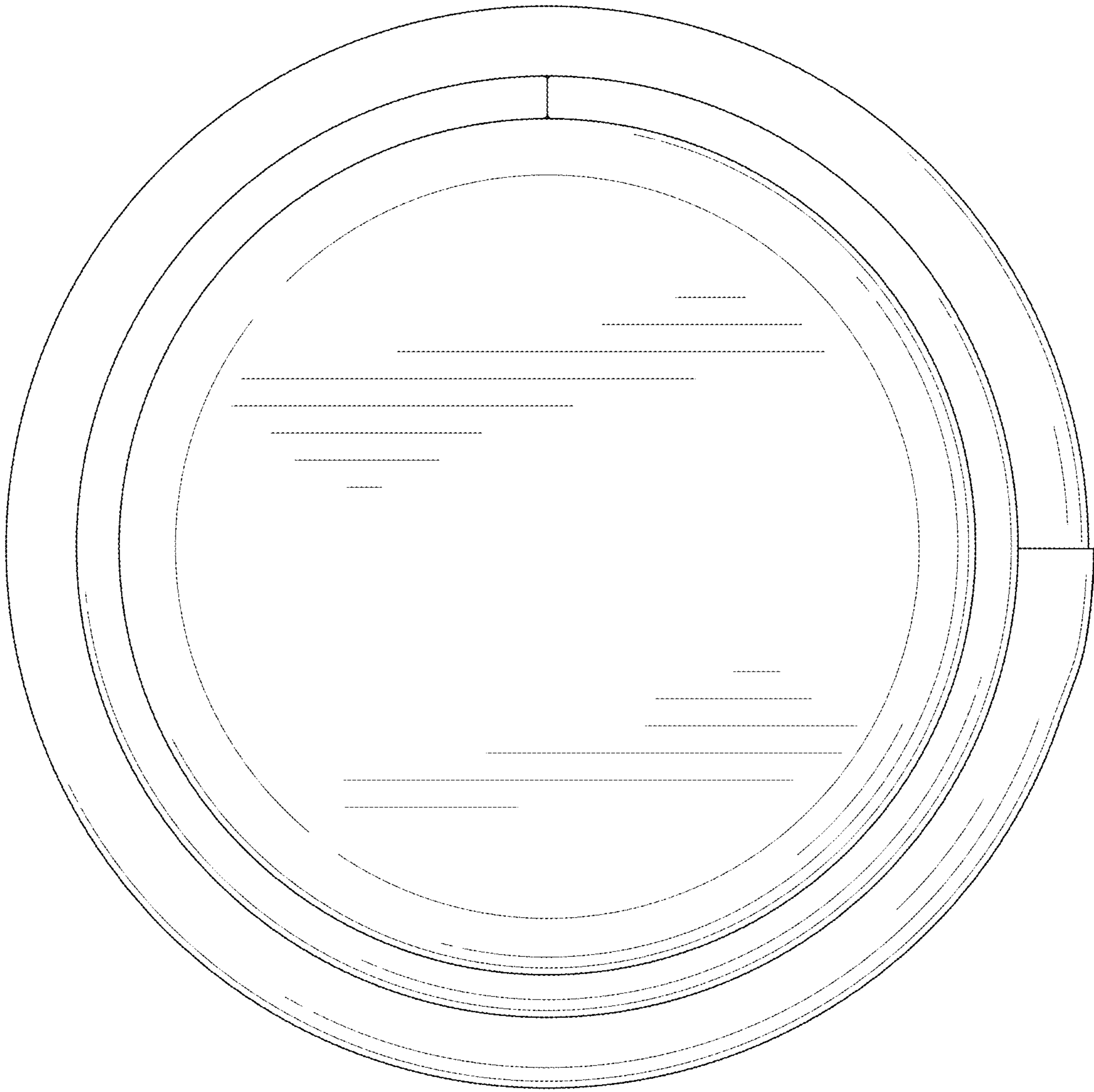


FIG. 6





FIG. 7

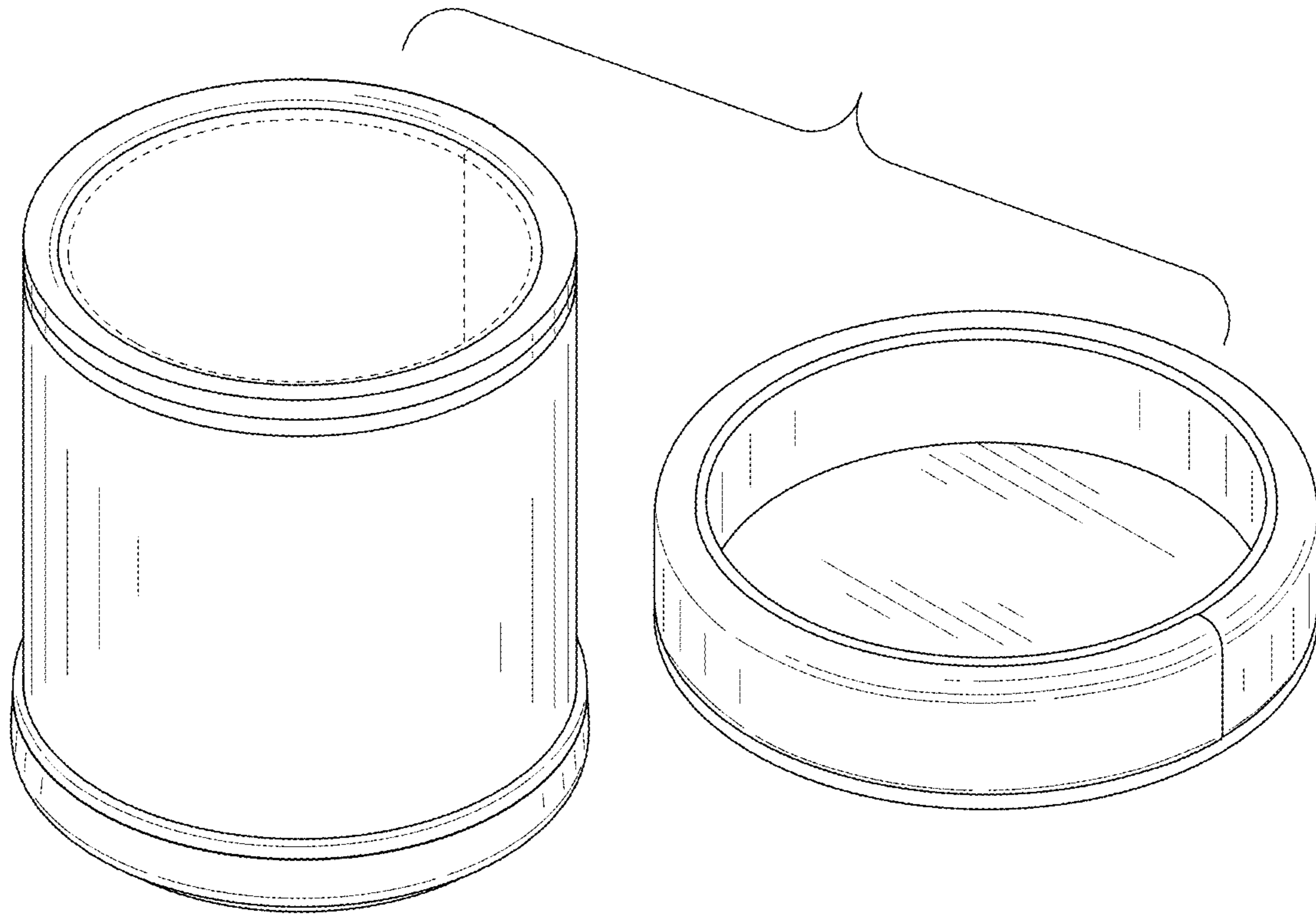


FIG. 8