



US00D906433S

(12) **United States Design Patent** (10) **Patent No.:** **US D906,433 S**  
**DeMarco et al.** (45) **Date of Patent:** **\*\* Dec. 29, 2020**

(54) **GAMING MACHINE**

(71) Applicant: **ARISTOCRAT TECHNOLOGIES AUSTRALIA PTY LIMITED**, North Ryde (AU)

(72) Inventors: **Dominic J. DeMarco**, Round Rock, TX (US); **Bruce Edward Urban**, Las Vegas, NV (US); **James Franklin Stair**, Las Vegas, NV (US); **David Turgel**, San Francisco, CA (US); **Daniel Harden**, Palo Alto, CA (US); **Alexander Abele**, Aalen (DE)

(73) Assignee: **Aristocrat Technologies Australia Pty Limited**, North Ryde (AU)

(\*\*) Term: **15 Years**

(21) Appl. No.: **29/684,883**

(22) Filed: **Mar. 25, 2019**

(51) **LOC (12) Cl.** ..... **21-03**

(52) **U.S. Cl.**  
USPC ..... **D21/369**

(58) **Field of Classification Search**  
USPC ..... D21/369, 370, 371, 385, 329, 325, 394; D14/307, 172, 129, 325, 401, 371, 126, D14/439, 432, 450, 128, 375, 248, 374, D14/341, 138 G, 127; 463/28, 13, 11, 463/16, 20, 25, 31, 46, 23, 30, 17, 36, 29, 463/42, 34, 32, 35, 19, 21, 22; 273/292, 273/203, 138.2, 143 R, 142 R, 138.1; D19/60; D16/226; D8/335, 331, 334; D26/141; D7/641  
CPC ..... G07F 17/32; G07F 17/34; G07F 17/3211; G07F 17/3244; G07F 17/3267  
See application file for complete search history.

(56) **References Cited**

**U.S. PATENT DOCUMENTS**

D415,124 S 10/1999 Rooyakkers  
D428,864 S 8/2000 Rooyakkers

D464,377 S 10/2002 Wurz  
D479,243 S 9/2003 Ohashi  
D508,719 S 8/2005 de Haas  
D513,044 S 12/2005 Morrison  
6,997,810 B2 2/2006 Cole  
D531,677 S 11/2006 Mallory

(Continued)

**OTHER PUBLICATIONS**

Office Action dated Jun. 1, 2020 for U.S. Appl. No. 29/684,808 (pp. 1-9).

(Continued)

*Primary Examiner* — Ryan Harvey

(74) *Attorney, Agent, or Firm* — Armstrong Teasdale LLP

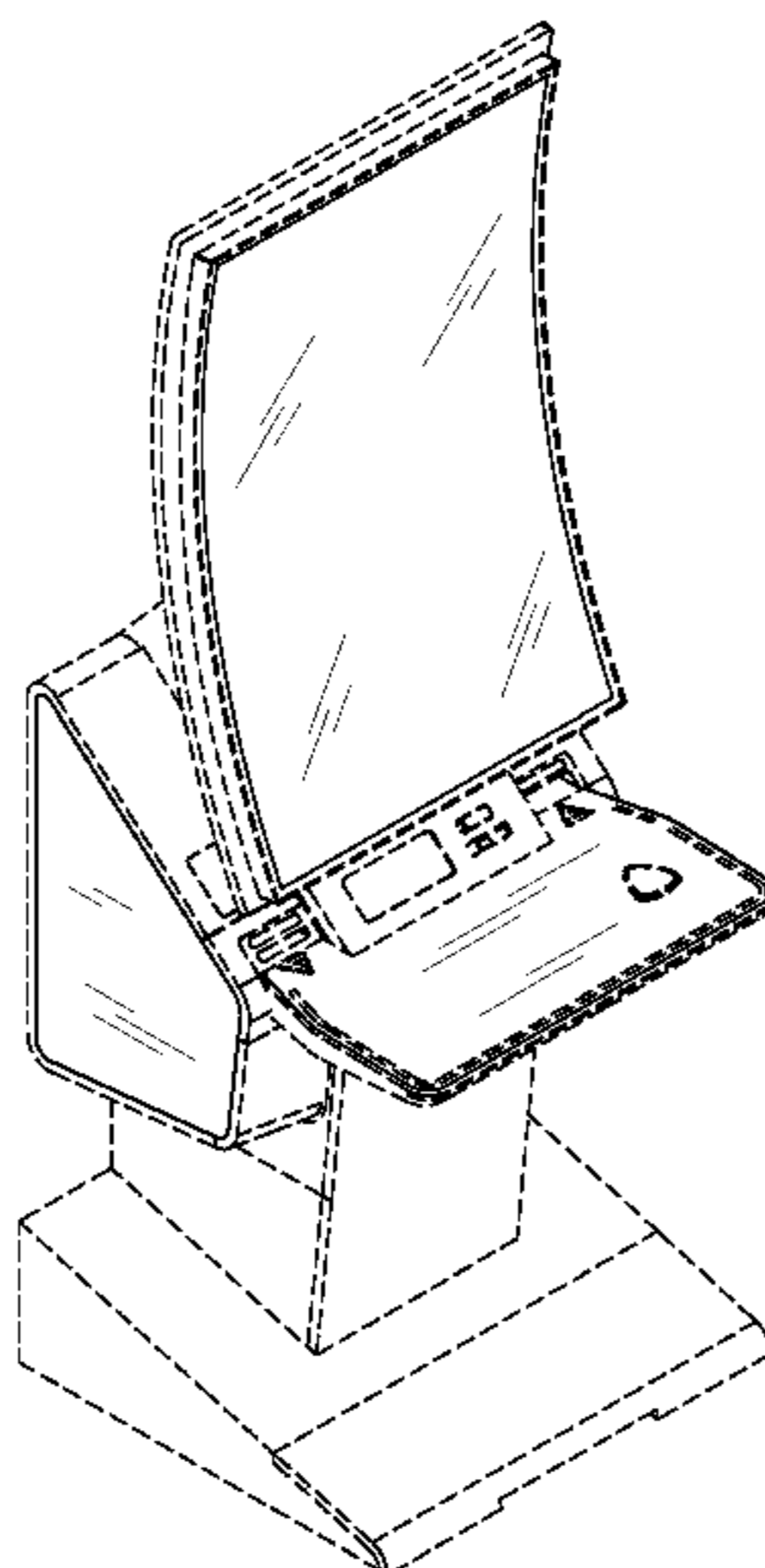
(57) **CLAIM**

We claim the ornamental design for a gaming machine, as shown and described.

**DESCRIPTION**

FIG. 1 is a front perspective view of a gaming machine showing our new design;  
FIG. 2 is a front view of the gaming machine shown in FIG. 1;  
FIG. 3 is a back view of the gaming machine shown in FIG. 1;  
FIG. 4 is a right side view of the gaming machine shown in FIG. 1;  
FIG. 5 is a left side view of the gaming machine shown in FIG. 1;  
FIG. 6 is a top view of the gaming machine shown in FIG. 1; and,  
FIG. 7 is a bottom view of the gaming machine shown in FIG. 1.  
The broken line showing of portions of the gaming machine depicts environment and forms no part of the claimed design.

**1 Claim, 7 Drawing Sheets**



(56)

References Cited

U.S. PATENT DOCUMENTS

D546,893 S	7/2007	Yamashita	D819,747 S	6/2018	Castro	
D560,724 S	1/2008	Johnson	D820,915 S *	6/2018	Lee .....	D21/369
D560,725 S	1/2008	Johnson	D826,338 S	8/2018	Bussey	
D562,338 S	2/2008	Keohane	D832,356 S	10/2018	Castro	
D572,314 S	7/2008	Vallejo	D833,534 S	11/2018	Lee	
D579,456 S	10/2008	Chen	D834,652 S	11/2018	Lee	
D587,319 S	2/2009	Moises Deiab	10,127,761 B2 *	11/2018	Woels .....	G07F 17/3209
D599,858 S	9/2009	Lesley	10,181,236 B2	1/2019	Goldstein	
D599,859 S	9/2009	Lesley	D843,458 S	3/2019	Castro	
D604,773 S	11/2009	De Viveiros Ortiz	D843,467 S *	3/2019	Johnson .....	D21/369
D612,432 S	3/2010	De Viveiros Ortiz	D843,468 S *	3/2019	Johnson .....	D21/369
D613,802 S	4/2010	Meyers	D843,473 S *	3/2019	Zedell, Jr. ....	D21/369
D619,177 S	7/2010	Lee	D843,474 S *	3/2019	Lesley .....	D21/369
D622,781 S	8/2010	Lesley	D843,475 S *	3/2019	Lesley .....	D21/369
D626,182 S	10/2010	Cole	D843,476 S *	3/2019	Lesley .....	D21/369
D628,208 S	11/2010	Potemski	D843,477 S	3/2019	Lesley	
D646,337 S *	10/2011	Kelly .....	D843,478 S	3/2019	Lesley	
			D843,479 S	3/2019	Castro	
D652,454 S	1/2012	Yepez	D843,480 S	3/2019	Castro	
D666,625 S	9/2012	Gilmore	D843,482 S	3/2019	Holland	
D668,261 S	10/2012	Arnold	D844,062 S	3/2019	Lesley	
D673,620 S	1/2013	Johnson	D846,650 S	4/2019	Stair	
D673,621 S	1/2013	Johnson	D847,905 S	5/2019	Lewis	
D677,736 S	3/2013	Dorn	D849,149 S	5/2019	Bussey	
D678,956 S	3/2013	Lesley	D849,150 S	5/2019	Gallagher	
D679,722 S	4/2013	Ray	D850,536 S *	6/2019	Stair .....	D21/370
D685,033 S	6/2013	Wudtke	D850,537 S	6/2019	Urban	
D689,899 S	9/2013	Lee	D854,621 S	7/2019	Calhoun	
D691,665 S	10/2013	Chudek	D858,641 S	9/2019	Legras	
D693,841 S	11/2013	Velasco	D858,642 S	9/2019	Legras	
D695,733 S	12/2013	Damhuis	D859,347 S	9/2019	Kwon	
D697,558 S	1/2014	Myers	D862,602 S	10/2019	Kariya	
D704,273 S	5/2014	Chudek	D865,066 S	10/2019	Ortiz De Viveiros	
D706,741 S *	6/2014	Myers .....	D865,873 S	11/2019	Lewis	
			D866,666 S	11/2019	Ditton	
D707,646 S	6/2014	Kim	D866,667 S *	11/2019	Stair .....	D21/369
D713,841 S	9/2014	Lim	D866,668 S	11/2019	Ditton	
8,832,598 B2	9/2014	Hirata	D868,165 S	11/2019	Ortiz De Viveiros	
D719,616 S	12/2014	Inoue	D870,818 S	12/2019	Curbbun	
D723,626 S	3/2015	Vasquez	D870,820 S	12/2019	Urban	
D727,431 S	4/2015	Themann	D871,506 S	12/2019	Castro	
D728,585 S	5/2015	Lee	D871,507 S	12/2019	Urban	
D730,993 S	6/2015	Castro	D872,190 S	1/2020	Zedell, Jr.	
D732,520 S	6/2015	Themann	D875,091 S	2/2020	Kwon	
D734,733 S *	7/2015	Park .....	10,580,252 B2	3/2020	Whelan	
			D880,605 S	4/2020	Bussey	
D736,171 S *	8/2015	Lee .....	D880,606 S	4/2020	Glenn, II	
			D880,608 S	4/2020	Glenn, II	
D740,887 S	10/2015	Randazzo	D880,610 S	4/2020	Glenn, II	
D740,888 S *	10/2015	DePalma .....	D880,611 S	4/2020	Glenn, II	
			D880,612 S *	4/2020	Bernard .....	D21/369
D742,974 S	11/2015	Lesley	D880,613 S *	4/2020	Bernard .....	D21/369
D749,342 S	2/2016	Escandon	D880,614 S *	4/2020	Bernard .....	D21/369
D759,096 S	6/2016	Seo	D880,615 S *	4/2020	Bernard .....	D21/369
D760,275 S	6/2016	Zhang	D881,284 S	4/2020	Glenn	
D765,136 S	8/2016	Lee	D881,285 S	4/2020	Glenn	
RE46,169 E *	10/2016	Kelly .....	D882,697 S	4/2020	Lesley	
			2013/0084948 A1	4/2013	Watkins	
			2014/0335934 A1	11/2014	Meyer	
D772,240 S	11/2016	Edstrom	2015/0018070 A1	1/2015	Meyer	
D772,273 S	11/2016	Spector	2015/0036073 A1	2/2015	Im	
D773,512 S	12/2016	Miura	2016/0093143 A1 *	3/2016	Lamb .....	G07F 17/323 463/20
D780,852 S	3/2017	Sharp				
D785,664 S	5/2017	Yao	2016/0195938 A1	7/2016	Kim	
D790,563 S	6/2017	Lam	2017/0039802 A1	2/2017	Prabhu	
9,679,435 B2	6/2017	Schrementi	2017/0046906 A1	2/2017	Hilbert	
9,704,337 B2	7/2017	Riggs	2017/0092052 A1	3/2017	McKay	
D794,661 S	8/2017	Nishizawa	2017/0301177 A1	10/2017	Pawloski	
D794,664 S	8/2017	Okabe	2018/0075689 A1	3/2018	Castro	
D801,435 S	10/2017	Themann	2018/0078847 A1	3/2018	Sorreta	
D803,323 S	11/2017	Bussey	2018/0078854 A1	3/2018	Achmueller	
D803,324 S	11/2017	Bussey	2018/0082523 A1	3/2018	Palermo	
D809,068 S	1/2018	Ballman	2019/0012874 A1 *	1/2019	Goldstein .....	G07F 17/3211
D809,069 S	1/2018	Ballman	2019/0046872 A1	2/2019	Glenn, II	
D812,146 S	3/2018	Castro	2019/0096161 A1 *	3/2019	Barbour .....	G07F 17/3216
D812,147 S	3/2018	Castro	2019/0096170 A1	3/2019	Lewis	
D812,148 S	3/2018	Castro	2019/0096173 A1	3/2019	Brandau	
D812,149 S	3/2018	Castro	2019/0102971 A1	4/2019	Schoonmaker	
D814,455 S	4/2018	Kwon	2019/0102974 A1	4/2019	Bussey	
D816,079 S	4/2018	Yamazaki				
D818,048 S	5/2018	Calhoun				

(56)

**References Cited**

U.S. PATENT DOCUMENTS

2019/0102984	A1	4/2019	Gallagher
2019/0287337	A1	9/2019	Shiraishi
2020/0111291	A1	4/2020	Pariseau
2020/0111295	A1	4/2020	Glenn
2020/0111296	A1	4/2020	Miura
2020/0111297	A1	4/2020	Kazama
2020/0111328	A1	4/2020	Bland

OTHER PUBLICATIONS

Office Action dated Jun. 1, 2020 for U.S. Appl. No. 29/684,812 (pp. 1-9).  
 Office Action dated Jun. 1, 2020 for U.S. Appl. No. 29/684,832 (pp. 1-9).  
 Office Action dated Jun. 1, 2020 for U.S. Appl. No. 29/684,836 (pp. 1-9).  
 Office Action dated Jun. 1, 2020 for U.S. Appl. No. 29/684,844 (pp. 1-9).  
 Office Action dated Jun. 1, 2020 for U.S. Appl. No. 29/684,849 (pp. 1-9).  
 Office Action dated Jun. 5, 2020 for U.S. Appl. No. 29/684,847 (pp. 1-9).  
 Office Action dated Jun. 12, 2020 for U.S. Appl. No. 29/684,810 (pp. 1-10).  
 Office Action dated Jun. 12, 2020 for U.S. Appl. No. 29/684,814 (pp. 1-10).  
 Office Action dated Jun. 12, 2020 for U.S. Appl. No. 29/684,817 (pp. 1-11).  
 Office Action dated Jun. 12, 2020 for U.S. Appl. No. 29/684,838 (pp. 1-11).  
 Office Action dated Jun. 12, 2020 for U.S. Appl. No. 29/684,842 (pp. 1-11).  
 Office Action dated Jun. 12, 2020 for U.S. Appl. No. 29/684,890 (pp. 1-9).  
 Office Action dated Jun. 12, 2020 for U.S. Appl. No. 29/684,891 (pp. 1-9).

Office Action dated Jun. 12, 2020 for U.S. Appl. No. 29/684,894 (pp. 1-10).  
 Office Action dated Jun. 12, 2020 for U.S. Appl. No. 29/684,899 (pp. 1-9).  
 Office Action dated Jun. 12, 2020 for U.S. Appl. No. 29/684,915 (pp. 1-10).  
 Office Action dated Jun. 12, 2020 for U.S. Appl. No. 29/684,922 (pp. 1-10).  
 Office Action dated Jun. 12, 2020 for U.S. Appl. No. 29/684,925 (pp. 1-10).  
 Office Action dated Jun. 12, 2020 for U.S. Appl. No. 29/684,929 (pp. 1-10).  
 Office Action dated Jun. 12, 2020 for U.S. Appl. No. 29/684,934 (pp. 1-10).  
 Office Action dated Jun. 12, 2020 for U.S. Appl. No. 29/684,936 (pp. 1-10).  
 Office Action dated Jun. 12, 2020 for U.S. Appl. No. 29/684,941 (pp. 1-12).  
 Office Action dated Jul. 10, 2020 for U.S. Appl. No. 29/684,900 (pp. 1-10).  
 Office Action dated Jul. 10, 2020 for U.S. Appl. No. 29/684,938 (pp. 1-13).  
 Notice of Allowance dated Aug. 5, 2020 for U.S. Appl. No. 29/678,496 (pp. 1-7).  
 Office Action dated Jun. 1, 2020 for U.S. Appl. No. 29/684,806 (pp. 1-9).  
 Office Action dated Jun. 1, 2020 for U.S. Appl. No. 29/684,807 (pp. 1-8).  
 Office Action dated Jun. 1, 2020 for U.S. Appl. No. 29/684,809 (pp. 1-7).  
 Office Action dated Jun. 1, 2020 for U.S. Appl. No. 29/684,811 (pp. 1-7).  
 Office Action dated Jun. 12, 2020 for U.S. Appl. No. 29/684,912 (pp. 1-10).  
 Corrected Notice of Allowability dated Aug. 17, 2020 for U.S. Appl. No. 29/678,496 (pp. 1-4).

\* cited by examiner

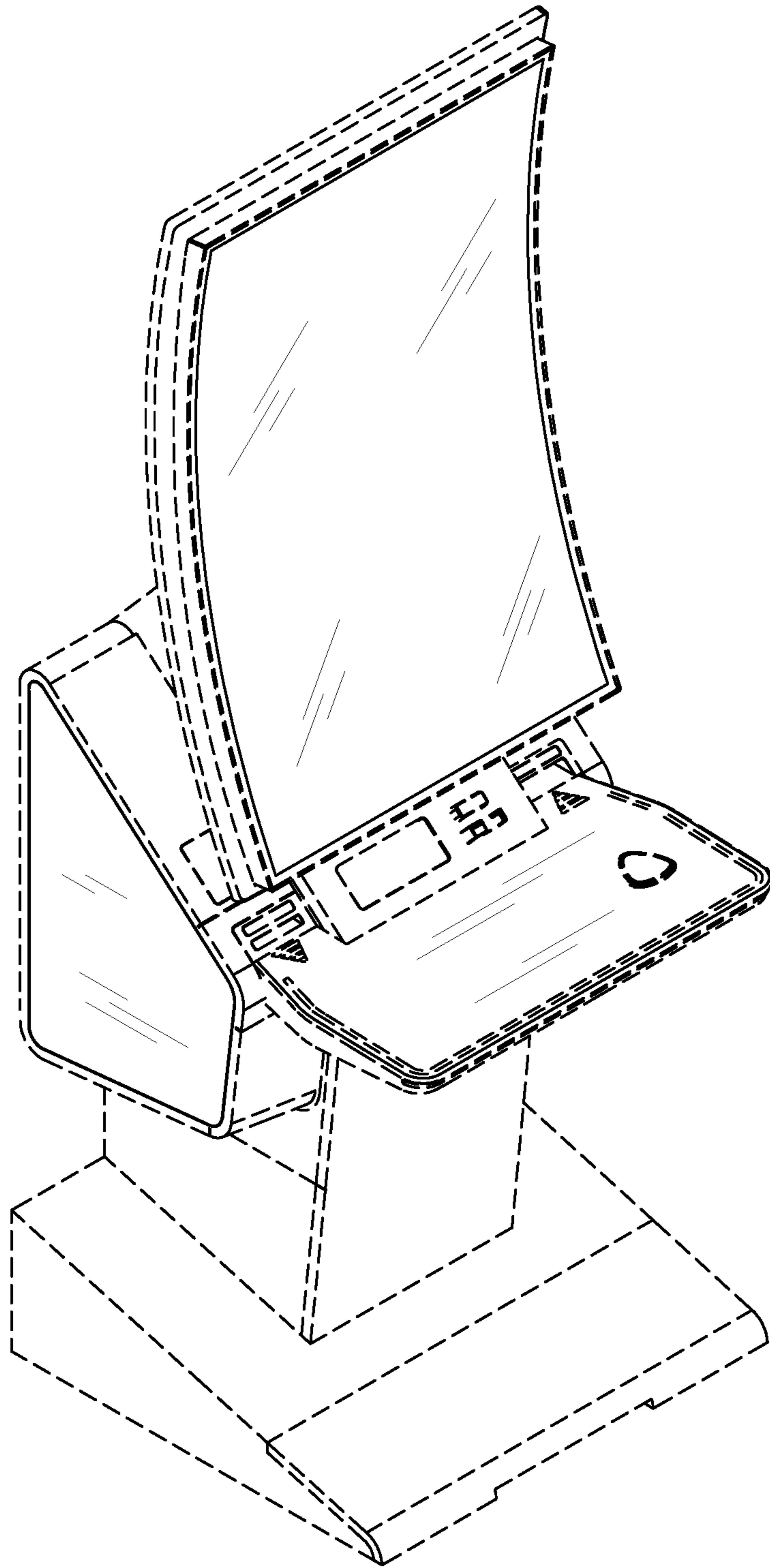


FIG. 1

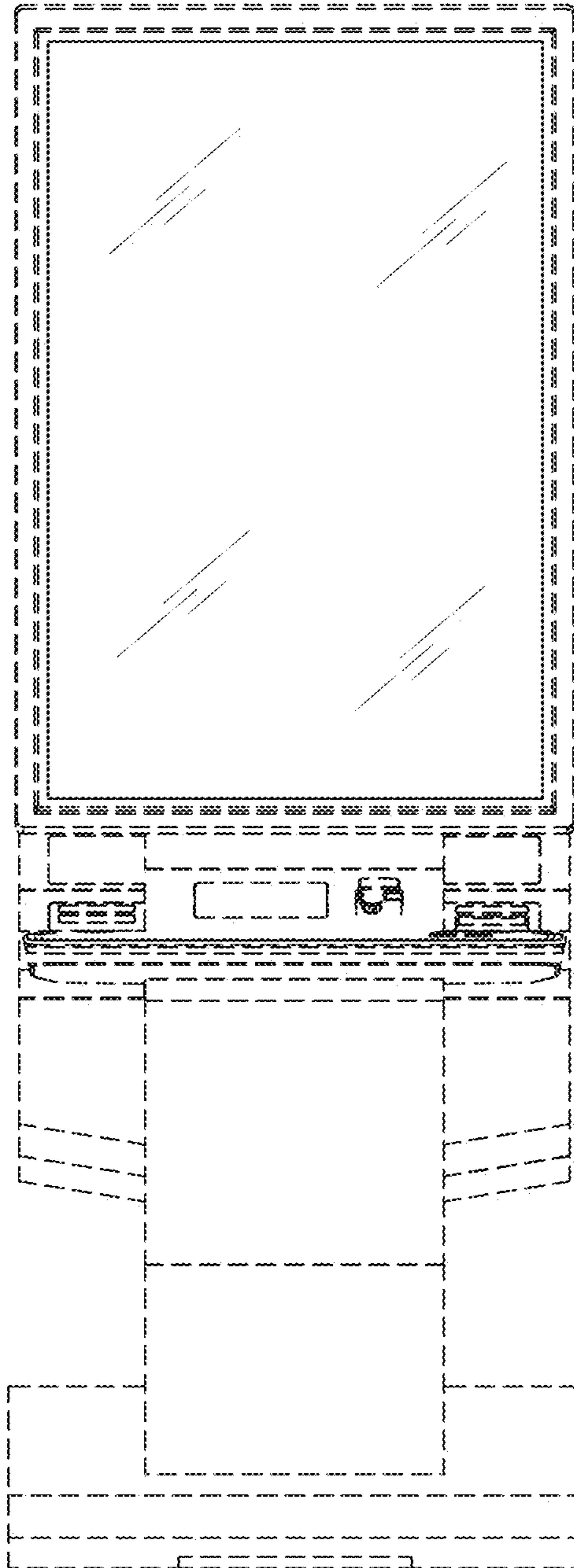


FIG. 2

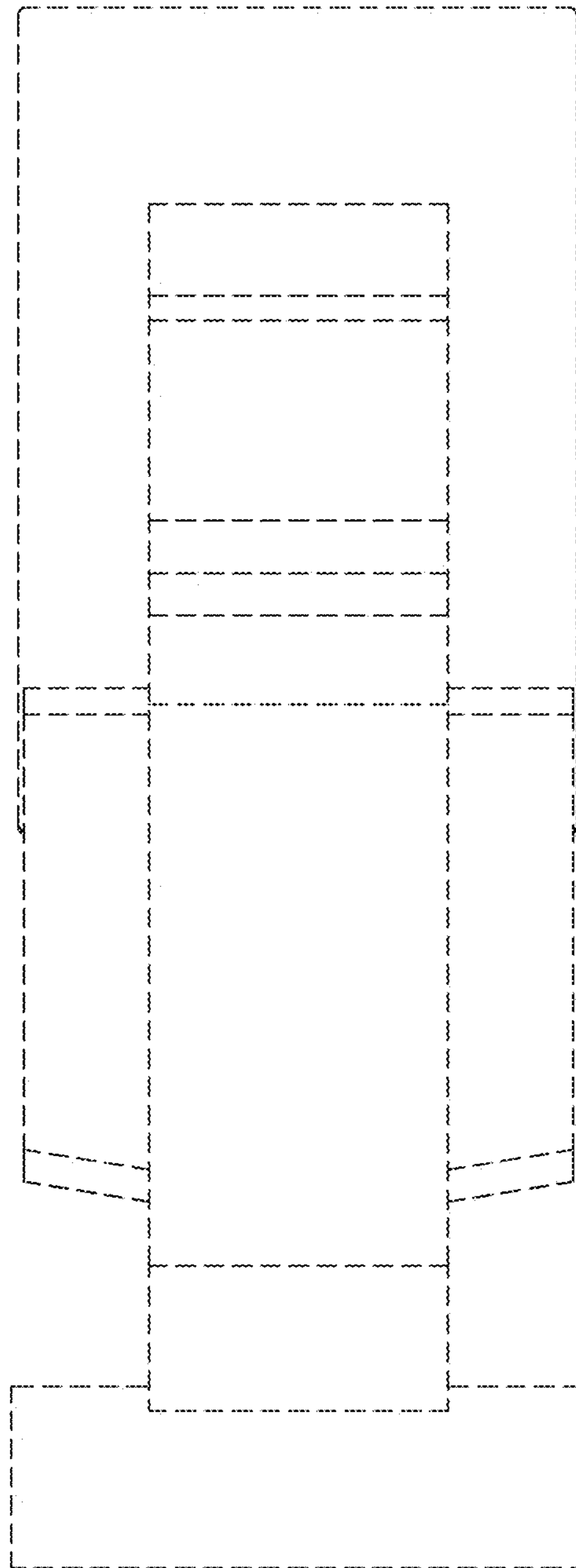


FIG. 3

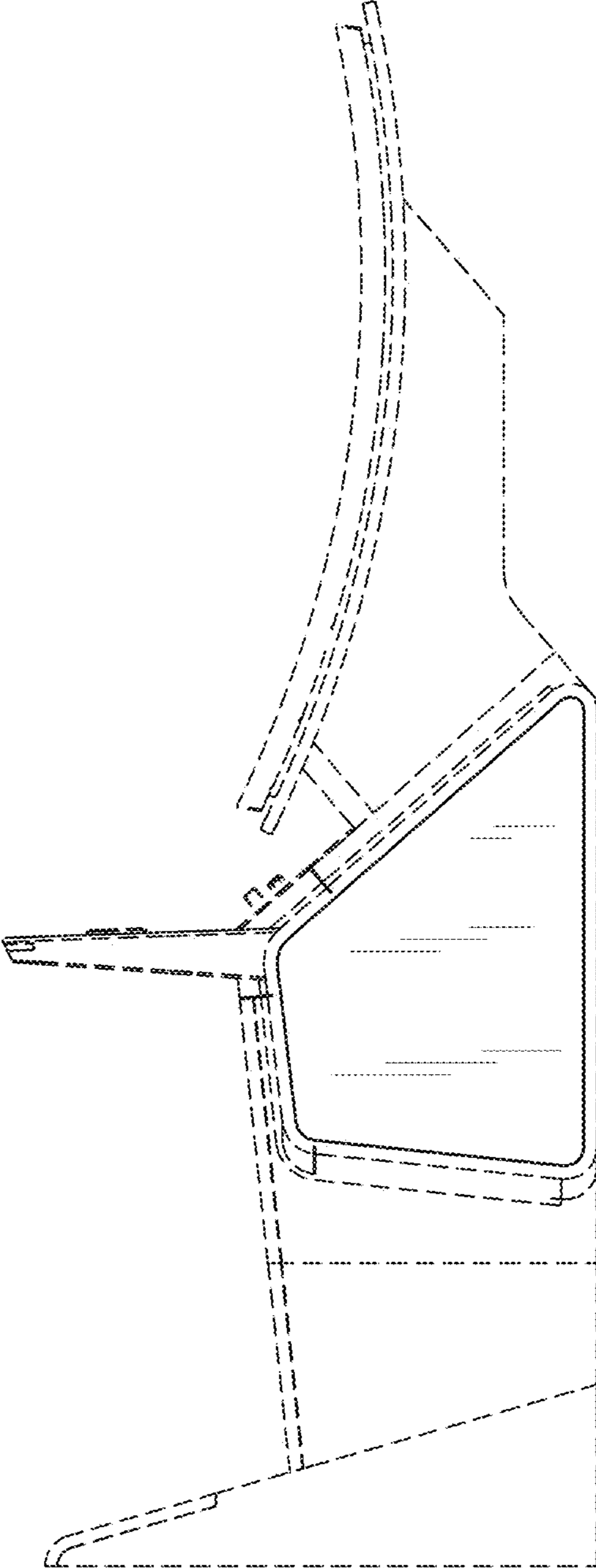


FIG. 4

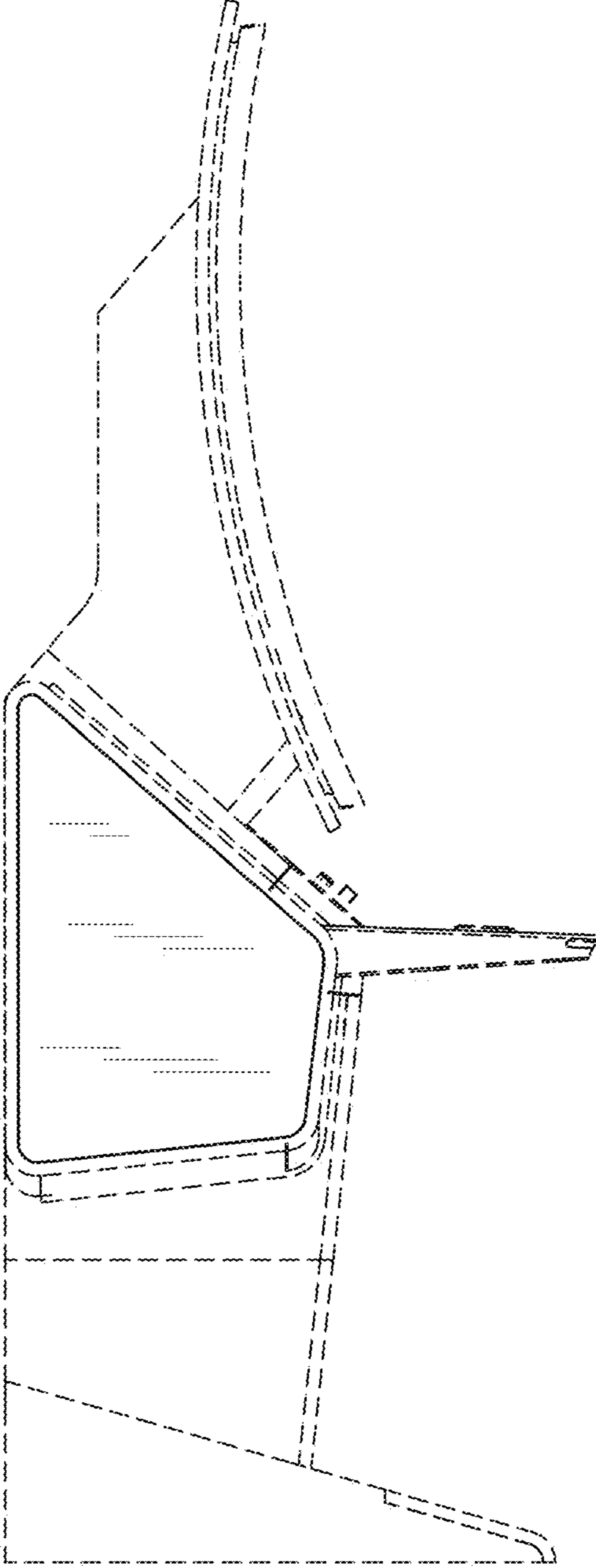


FIG. 5



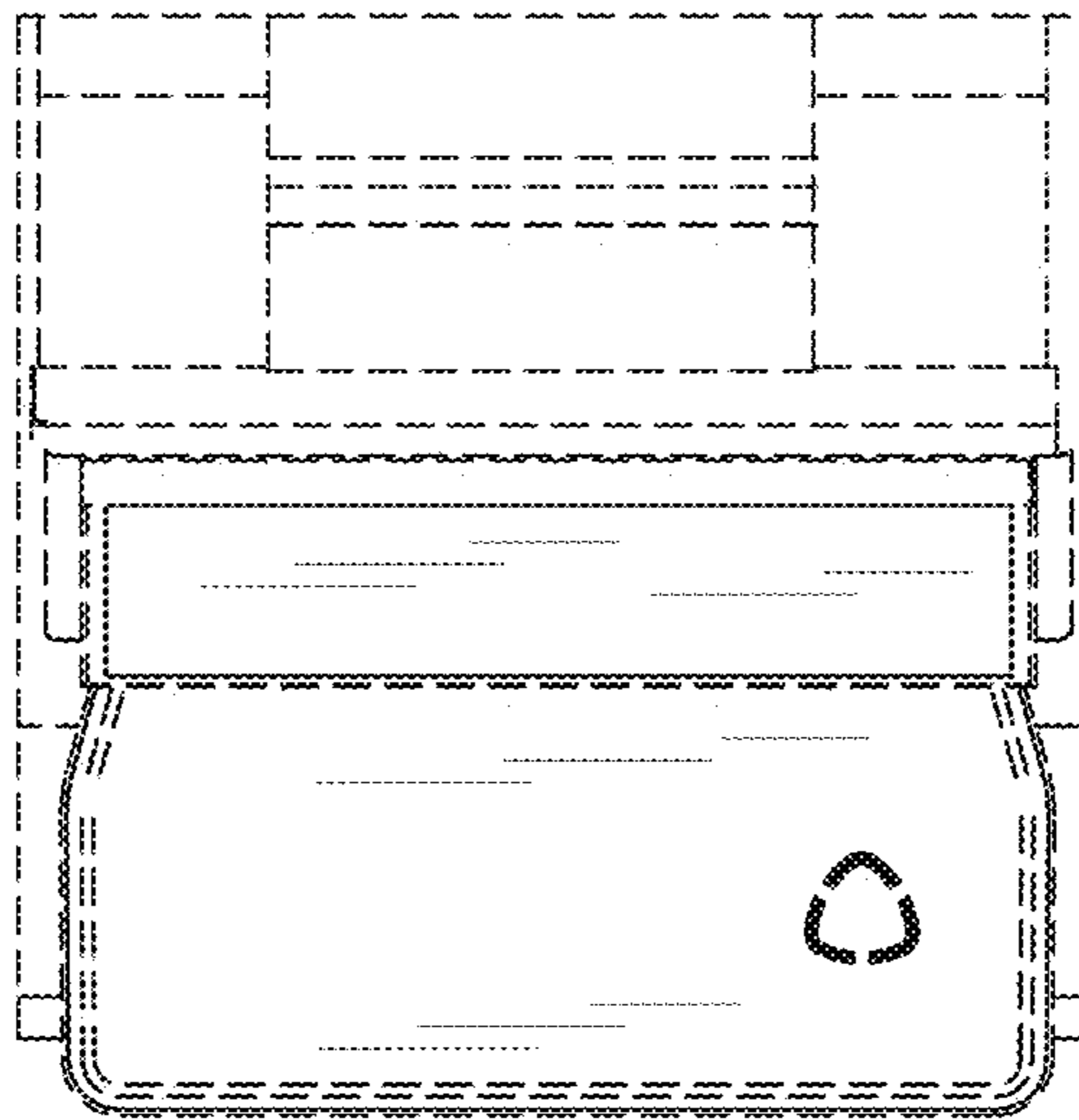


FIG. 6

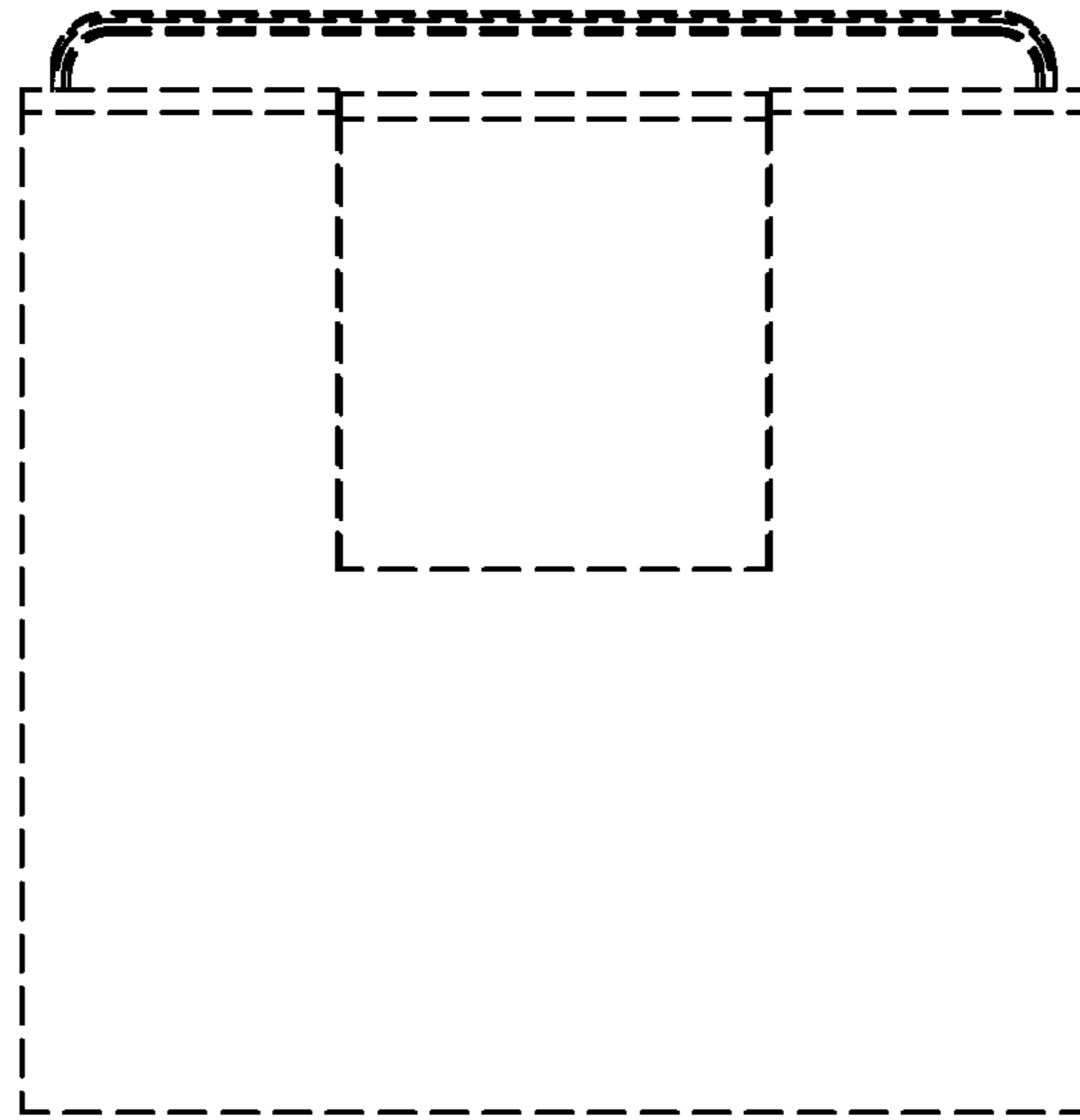


FIG. 7