



US00D906432S

(12) **United States Design Patent** (10) **Patent No.:** **US D906,432 S**
Oehlert et al. (45) **Date of Patent:** **** Dec. 29, 2020**

(54) **GAMING MACHINE**

(71) Applicant: **IGT, Las Vegas, NV (US)**

(72) Inventors: **Megan E. Oehlert, Reno, NV (US); Kehl Lesourd, Reno, NV (US); Eric Wagner, Sparks, NV (US); Charles Johnson, Reno, NV (US)**

(73) Assignee: **IGT, Las Vegas, NV (US)**

(**) Term: **15 Years**

(21) Appl. No.: **29/664,897**

(22) Filed: **Sep. 28, 2018**

(51) **LOC (12) Cl.** **21-03**

(52) **U.S. Cl.**
USPC **D21/369**

(58) **Field of Classification Search**
USPC D21/369, 370, 371, 385, 329, 325, 394;
D14/496, 307, 172, 129, 325, 401, 371,
D14/126, 439, 432, 450, 128, 375, 248,
D14/374, 341, 138 G, 127, 138 R, 451,
D14/486; 463/28, 13, 11, 16, 20, 25, 31,
463/46, 23, 30, 17, 36, 29, 42, 34, 32, 35,
463/19, 21, 22; 273/292, 203, 138.2,
273/143 R, 142 R, 138.1; D19/60;
D16/226; D8/335, 331, 334; D26/141;
D7/641; D6/703.1; D20/43
CPC G07F 17/32; G07F 17/34; G07F 17/3211;
G07F 17/3213; G07F 17/3216; G07F
17/3244; G07F 17/3202; G07F 17/3267;
G07F 17/3209

See application file for complete search history.

(56) **References Cited**

U.S. PATENT DOCUMENTS

D487,582 S * 3/2004 McGahn D21/369
D503,951 S * 4/2005 Karstens D21/370

D512,465 S * 12/2005 Karstens D21/370
D558,835 S * 1/2008 Zielinski D21/370
D569,919 S * 5/2008 Zielinski D21/370
D675,196 S * 1/2013 Maddern D14/240
D725,072 S * 3/2015 Kim D10/38
D736,751 S * 8/2015 Lee D14/248
D736,752 S * 8/2015 Lee D14/248
D764,847 S * 8/2016 Strater D6/707.19
D770,449 S * 11/2016 Bae D14/341
D770,450 S * 11/2016 Bae D14/341
D771,628 S * 11/2016 Bae D14/341
D773,459 S * 12/2016 Jun D14/344
D803,818 S * 11/2017 Kim D14/248
D812,147 S * 3/2018 Castro D21/369
D843,464 S 3/2019 Castro et al.
D843,469 S * 3/2019 Nettenstrom D21/369
D843,866 S * 3/2019 Mutch D10/87

(Continued)

Primary Examiner — Ryan Harvey

(74) *Attorney, Agent, or Firm* — Neal, Gerber & Eisenberg LLP

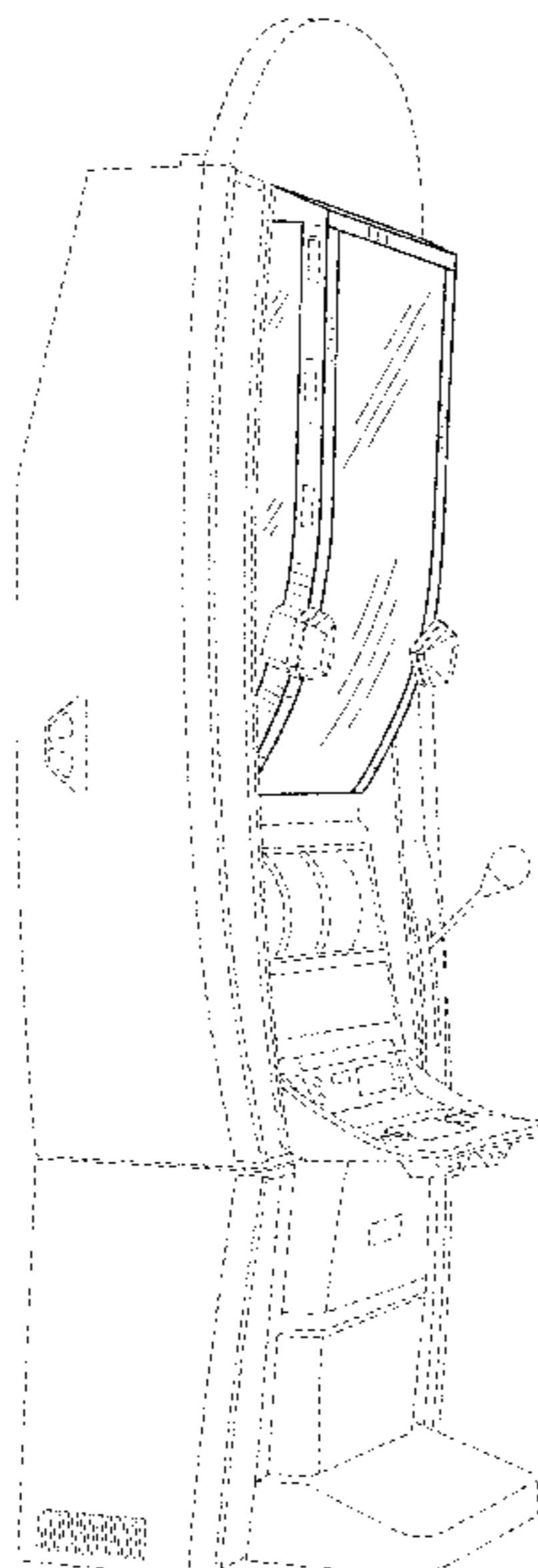
(57) **CLAIM**

The ornamental design for a gaming machine, as shown and described herein.

DESCRIPTION

FIG. 1 is a front perspective view of a gaming machine of one embodiment our new design.
FIG. 2 is a front view of the gaming machine of FIG. 1.
FIG. 3 is a rear view of the gaming machine of FIG. 1.
FIG. 4 is a right side view of the gaming machine of FIG. 1.
FIG. 5 is a left side view of the gaming machine of FIG. 1.
FIG. 6 is a top view of the gaming machine of FIG. 1; and, FIG. 7 is a bottom view of the gaming machine of FIG. 1.
The portions shown in phantom are not part of the claimed design.

1 Claim, 7 Drawing Sheets



(56)

References Cited

U.S. PATENT DOCUMENTS

D849,150 S * 5/2019 Gallagher D21/369
2006/0025200 A1* 2/2006 Van Asdale G07F 17/3267
463/20
2006/0046821 A1* 3/2006 Kaminkow G07F 17/326
463/16
2013/0217458 A1* 8/2013 LeSourd G07F 17/34
463/16
2015/0050982 A1* 2/2015 Brooks G07F 17/3213
463/20

* cited by examiner

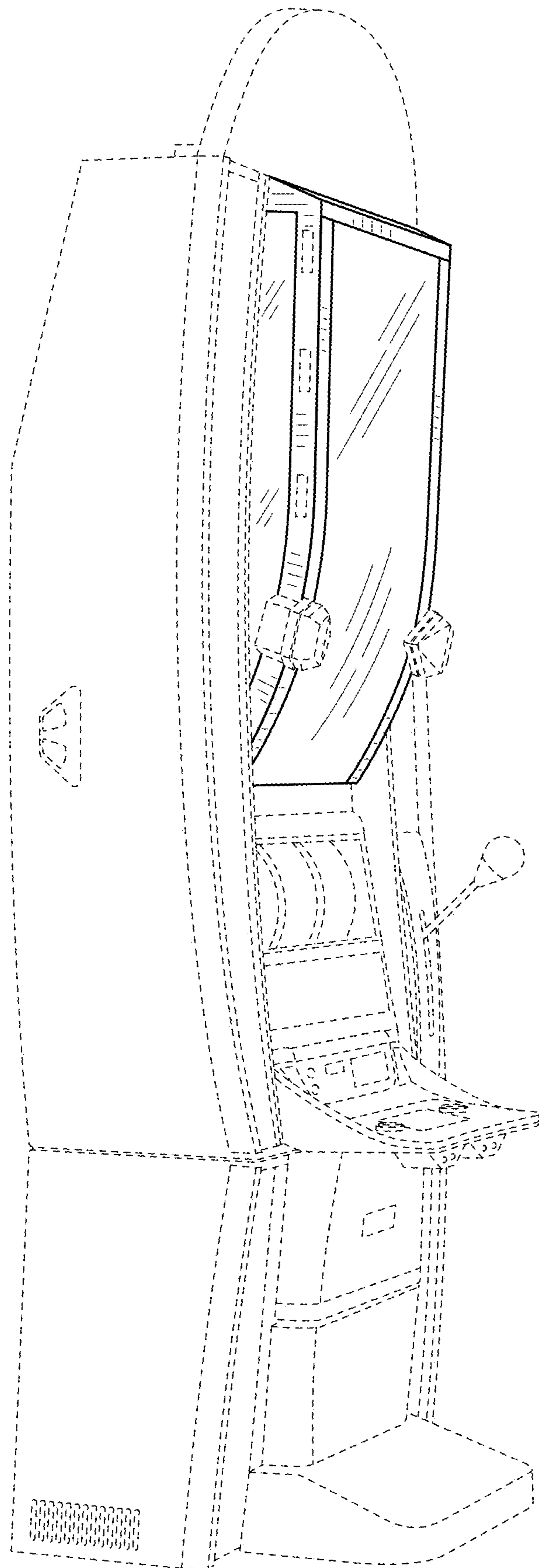


FIG. 1

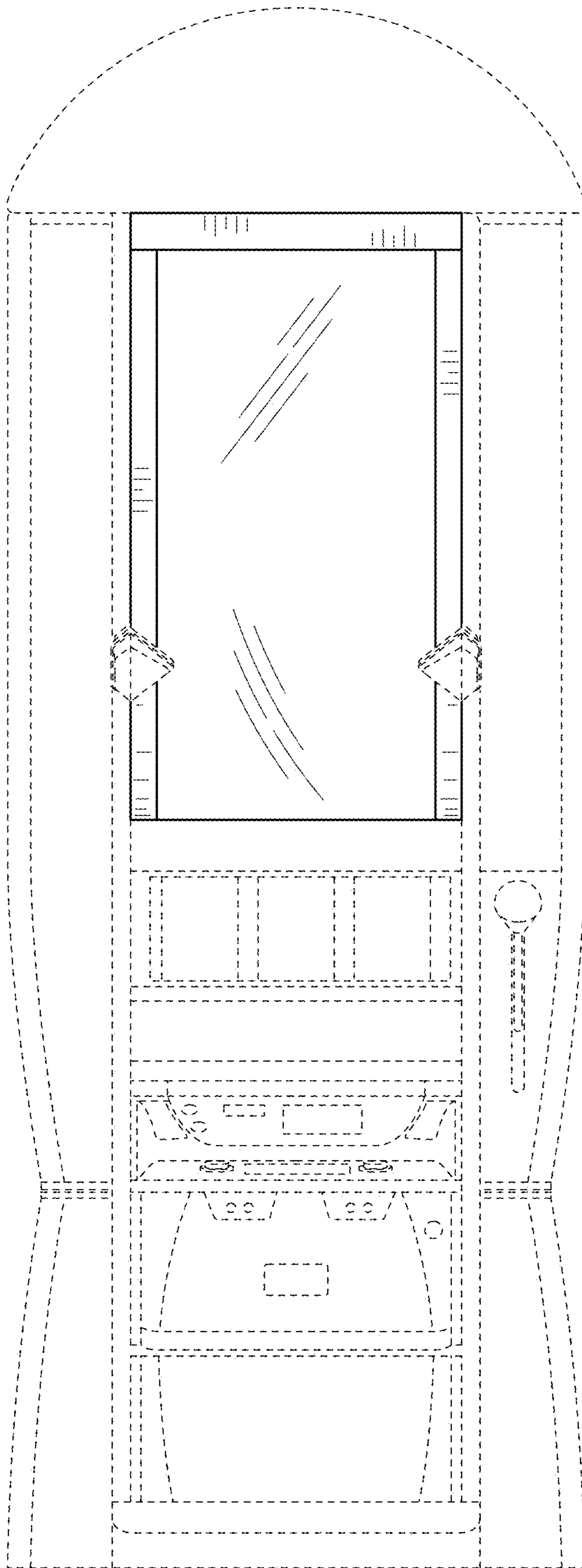


FIG. 2

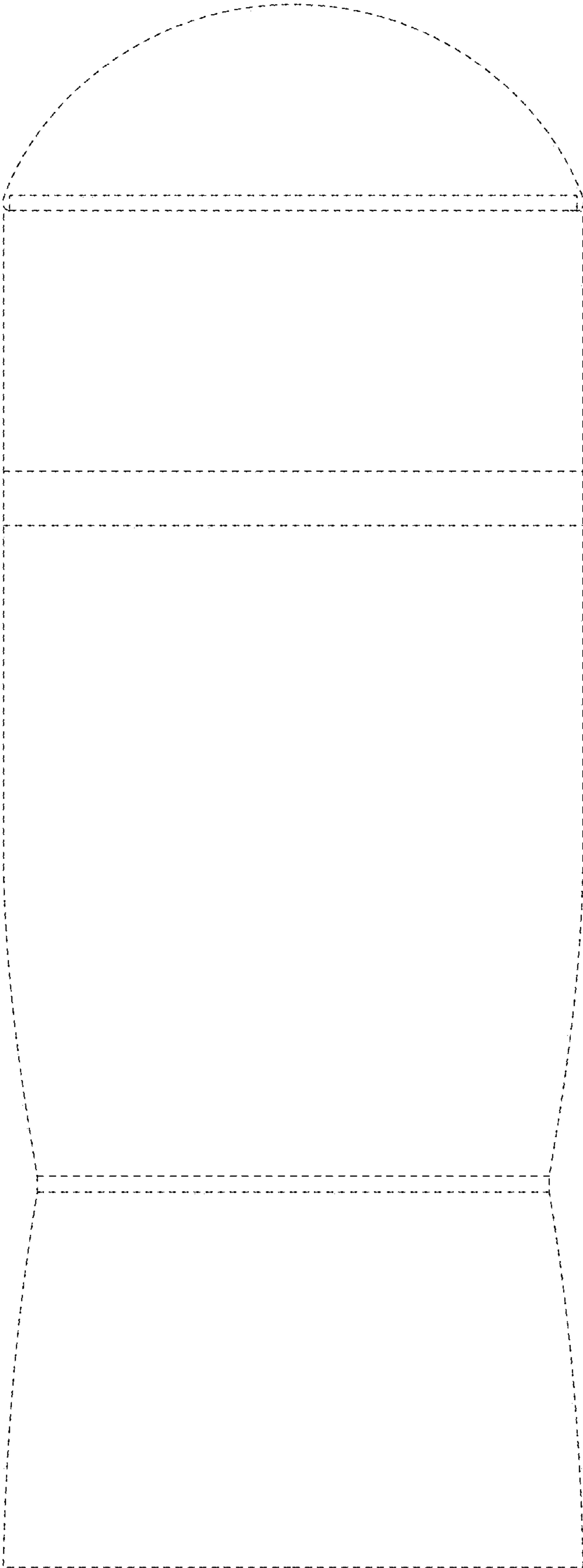


FIG. 3

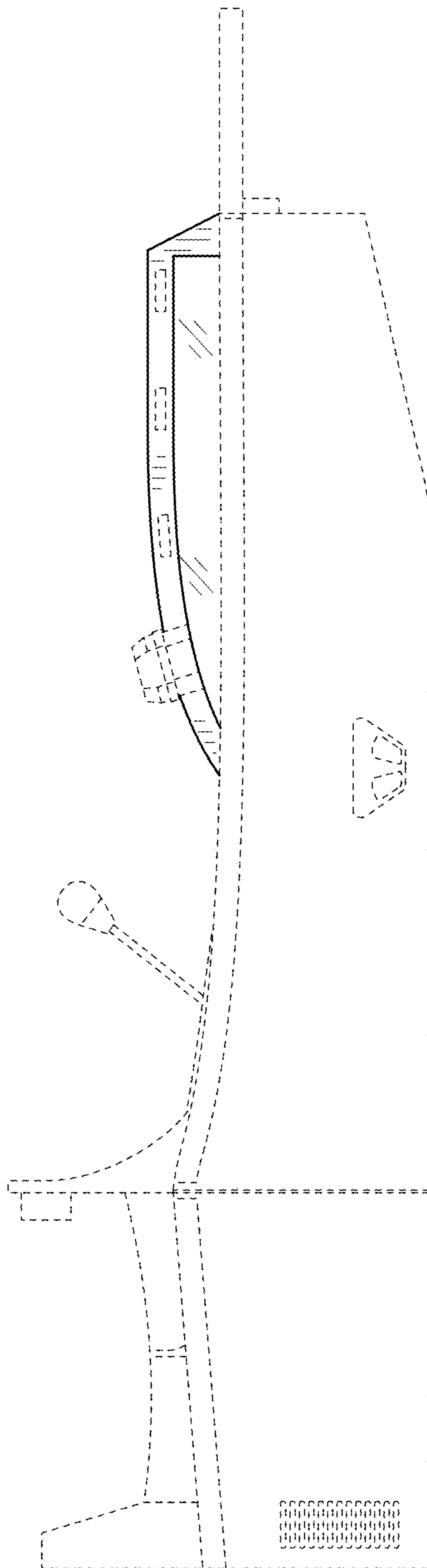


FIG. 4

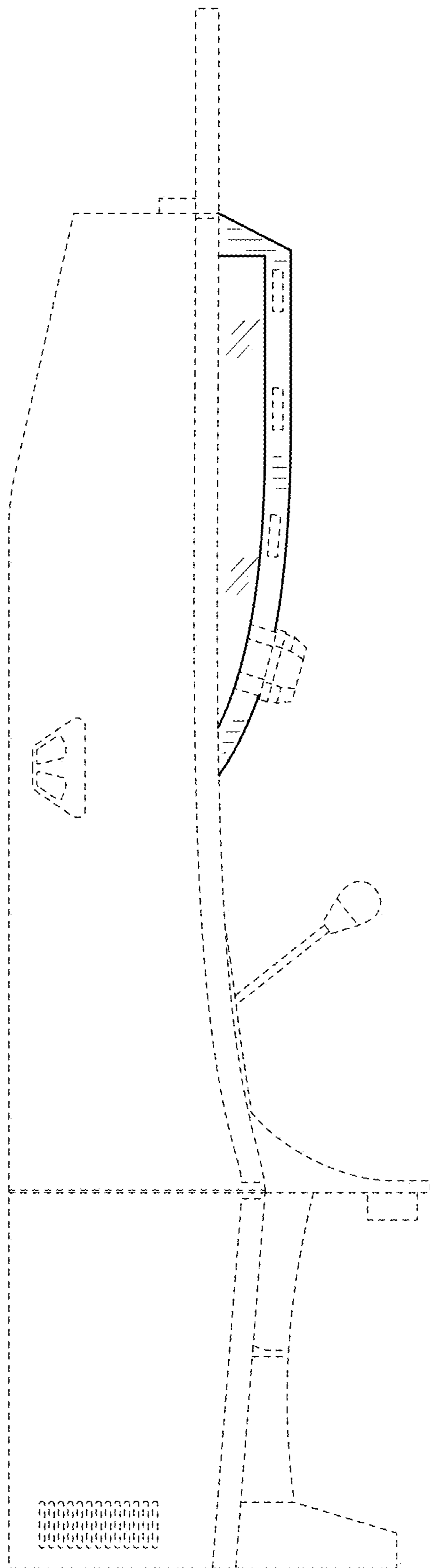


FIG. 5

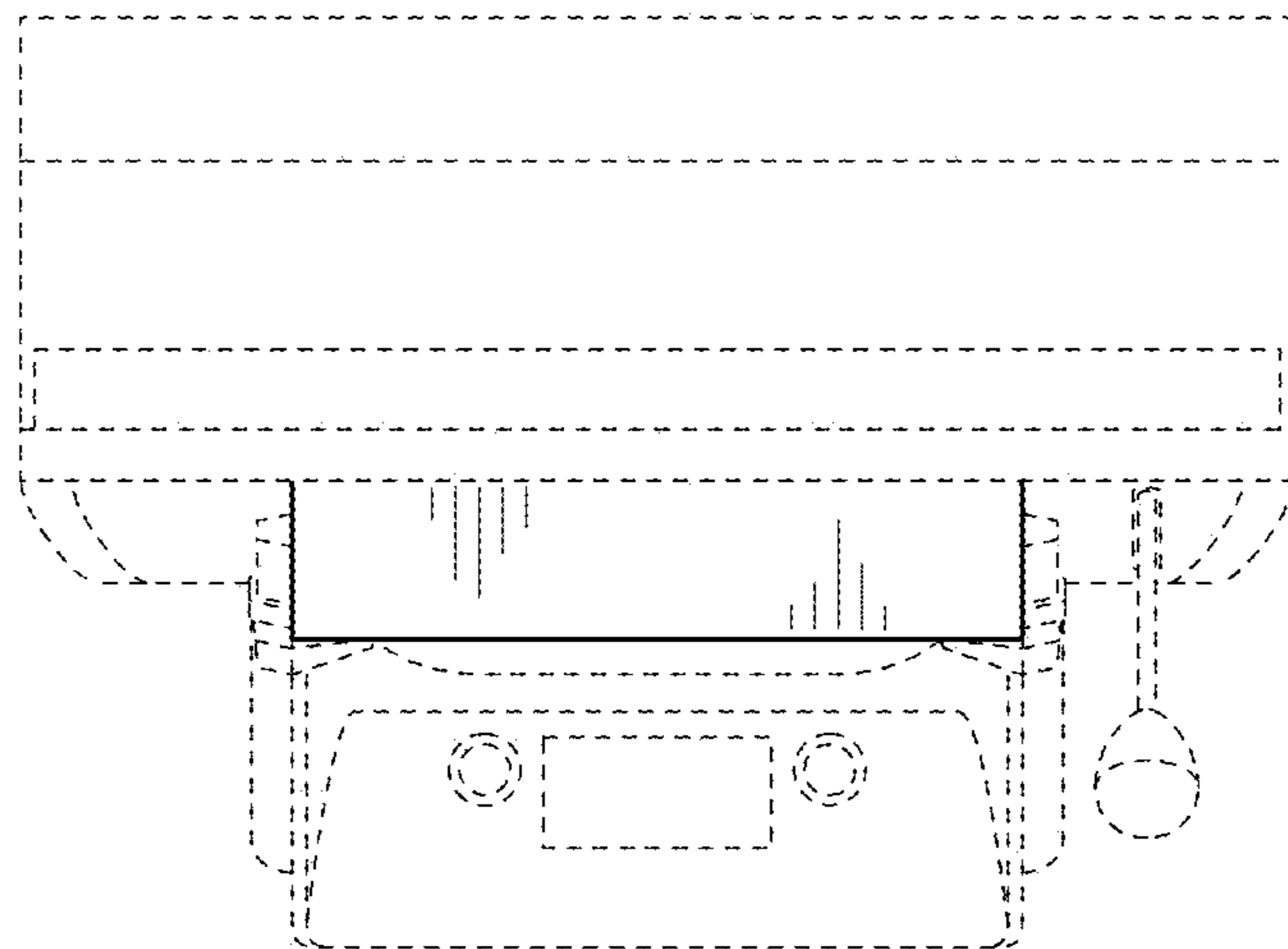


FIG. 6

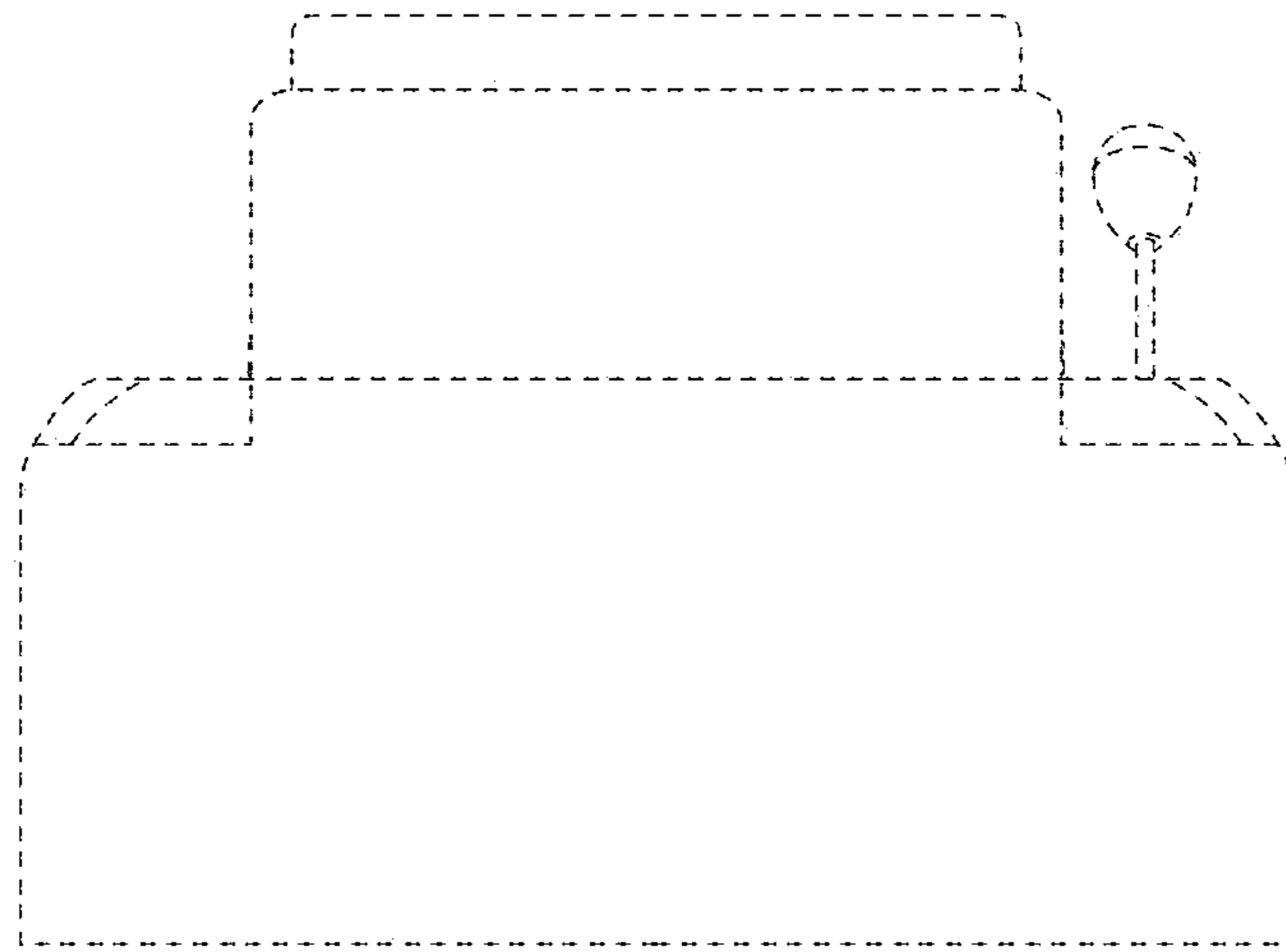


FIG. 7