



US00D906431S

(12) **United States Design Patent** (10) **Patent No.:** **US D906,431 S**
Gabriel (45) **Date of Patent:** **** Dec. 29, 2020**

(54) **THREE-DIMENSIONAL GAMEBOARD**

(71) Applicant: **Geoff Gabriel**, St George, UT (US)

(72) Inventor: **Geoff Gabriel**, St George, UT (US)

(**) Term: **15 Years**

(21) Appl. No.: **29/691,508**

(22) Filed: **May 16, 2019**

(51) **LOC (12) Cl.** **21-01**

(52) **U.S. Cl.**
USPC **D21/342**

(58) **Field of Classification Search**
USPC D21/300, 324, 333-346, 365, 369, 385,
D21/392-397, 148 R, 309, 459, 460;
273/342-346, 335, 236, 237, 238, 242,
273/244.2, 248-263, 274, 275, 277-291,
273/292; D10/46.1, 46; 235/90,
235/1 B-1 D; 463/13, 1, 46, 47; 16/225;
116/222-225, 325, 326

CPC A63F 1/00; A63F 1/06; A63F 1/062; A63F
1/067; A63F 1/18; A63F 3/0023; A63F
3/00574; A63F 3/00006; A63F 3/00643;
A63F 3/00082; A63F 3/00097; A63F
3/00173; A63F 3/00157; A63F 3/00261;
A63F 2003/00233; A63F 2003/00946;
A63F 2003/00943; A63F 2003/0034;
A63F 2003/00583; A63F 2003/00182;
A63F 2003/0022; A63F 2003/00255;
A63F 2003/00457; A63F 2250/20; A63F
9/0093; A63F 9/24; A63F 11/0051; A63F
2011/0055; A63F 2009/245134

See application file for complete search history.

(56) **References Cited**

U.S. PATENT DOCUMENTS

D25,651 S * 6/1896 Somerville D21/343
606,744 A * 7/1898 St. John A63F 9/0079
273/239

626,328 A * 6/1899 Kroscher et al. A63B 67/06
273/338
D32,049 S * 12/1899 Kughler D21/346
640,555 A * 1/1900 Fuller A63F 9/0078
273/153 R
658,083 A * 9/1900 Favour A63F 9/0078
273/153 R
677,782 A * 7/1901 Lanz A63F 3/02
273/258

(Continued)

Primary Examiner — Susan Moon Lee
(74) *Attorney, Agent, or Firm* — David R. Conklin;
Kirton McConkie

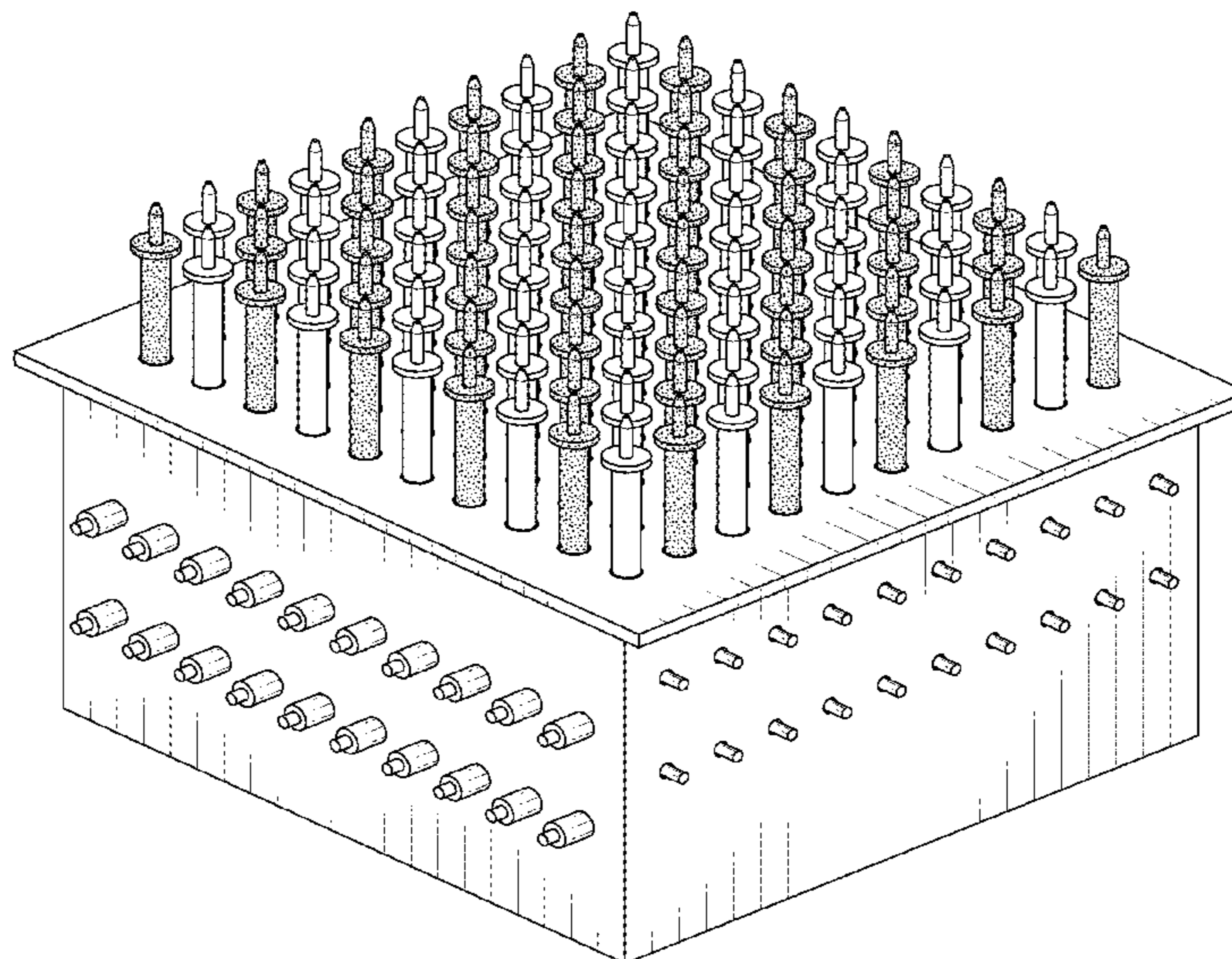
(57) **CLAIM**

The ornamental design for a three-dimensional gameboard,
as shown and described.

DESCRIPTION

FIG. 1 is a top, front and left side perspective view of the
three-dimensional gameboard in an extended configuration
with horizontal rod pieces in place.
FIG. 2 is a front elevation view thereof.
FIG. 3 is a back elevation view thereof.
FIG. 4 is a left side elevation view thereof.
FIG. 5 is a right side elevation view thereof.
FIG. 6 is a top plan view thereof;
FIG. 7 is a bottom plan view thereof;
FIG. 8 is a top, front and left side perspective view of the
three-dimensional gameboard in a retracted configuration
with horizontal rod pieces removed.
FIG. 9 is a front elevation view thereof.
FIG. 10 is a back elevation view thereof.
FIG. 11 is a left side elevation view thereof.
FIG. 12 is a right side elevation view thereof.
FIG. 13 is a top plan view thereof; and,
FIG. 14 is a bottom plan view thereof.
The broken lines depict environment for illustrative pur-
poses only and form no part of the claimed design.

1 Claim, 10 Drawing Sheets



(56)

References Cited

U.S. PATENT DOCUMENTS

766,545 A * 8/1904 Sterl A63F 1/06
273/148 A
1,284,308 A * 11/1918 Gathercoal A63F 3/00574
273/282.1
1,299,489 A * 4/1919 Lowman A63F 1/18
235/90
1,335,088 A * 3/1920 Blumenfeld A63F 3/00574
273/271
1,419,871 A * 6/1922 McDonald G07D 9/002
235/123
1,421,656 A * 7/1922 Abele A63F 3/00574
273/266
1,494,876 A * 5/1924 Zander A63F 3/00006
273/282.1
1,501,942 A * 7/1924 Carman A63B 67/06
273/339
D110,357 S * 7/1938 Horn D21/344
D119,260 S * 3/1940 Gould D21/344
2,313,473 A * 3/1943 Arthur A63F 3/00094
273/241
2,477,825 A * 8/1949 Richardson A63F 1/18
235/90
2,485,143 A * 10/1949 Duncan A63F 3/00094
273/290
2,491,404 A * 12/1949 Winnemore A63H 33/00
446/1
2,676,018 A * 4/1954 Cornish A63F 3/00094
273/241
D172,796 S * 8/1954 Kaye et al. D21/336
2,773,690 A * 12/1956 Housley A63F 11/00
273/241
3,169,769 A * 2/1965 Cornish A63F 3/00094
273/241
3,181,867 A * 5/1965 Dreyer A63F 9/0073
273/282.1
3,404,890 A * 10/1968 Christy A63F 3/00097
273/241
3,481,603 A * 12/1969 Sugden A63F 3/00094
273/271
3,506,268 A * 4/1970 Stadler A63F 3/00063
273/237
3,550,943 A * 12/1970 Hatcher A63F 9/0093
273/260
3,556,526 A * 1/1971 Currie A63F 3/00574
273/239
3,558,137 A * 1/1971 Progin A63F 3/00574
273/262
3,561,774 A * 2/1971 Brinser A63F 3/00094
273/241

3,834,708 A * 9/1974 Shoptaugh A63F 9/06
273/242
4,239,230 A * 12/1980 Shoptaugh A63F 3/00574
273/264
4,462,596 A * 7/1984 Yamamoto A63F 3/00694
273/239
4,541,635 A * 9/1985 Shoptaugh A63F 3/00097
273/258
4,645,209 A * 2/1987 Goulter A63F 3/00176
273/271
D295,055 S * 4/1988 Shoptaugh D21/342
4,844,473 A * 7/1989 Landsberg A63F 3/00574
273/264
5,069,458 A * 12/1991 Washington A63F 3/00643
273/238
5,209,486 A * 5/1993 Brotz A63B 67/06
273/129 R
5,314,192 A * 5/1994 Broudy A63F 3/00097
273/282.3
5,490,675 A * 2/1996 Persidsky A63F 3/00694
273/239
5,491,324 A * 2/1996 Vanderpool A63F 1/06
116/325
5,639,090 A * 6/1997 Stevens A63F 3/00574
273/159
5,952,637 A * 9/1999 Strunk A63F 3/0023
16/225
7,267,244 B1 * 9/2007 Dalhamer A47G 23/06
220/574
D564,022 S * 3/2008 Russo D19/108
7,946,587 B1 * 5/2011 Renfro A63F 3/00094
273/241
D687,113 S * 7/2013 Stroitz D21/798
8,677,924 B1 * 3/2014 Brown A63F 11/0051
116/325
8,992,229 B2 * 3/2015 Spital G09B 19/22
434/259
2004/0041344 A1 * 3/2004 Thomson A63F 3/00574
273/241
2005/0093244 A1 * 5/2005 Olsen A63F 3/00
273/450
2008/0174069 A1 * 7/2008 Ouellet A63F 3/0415
273/272
2008/0258386 A1 * 10/2008 Eastman A63F 3/00094
273/271
2010/0148440 A1 * 6/2010 Hart A63F 3/00094
273/241
2011/0018202 A1 * 1/2011 Jimick A63F 3/02
273/271
2012/0007311 A1 * 1/2012 Pullman A63F 9/0073
273/266
2015/0273318 A1 * 10/2015 Christensen, Jr. A63F 1/06
273/237

* cited by examiner

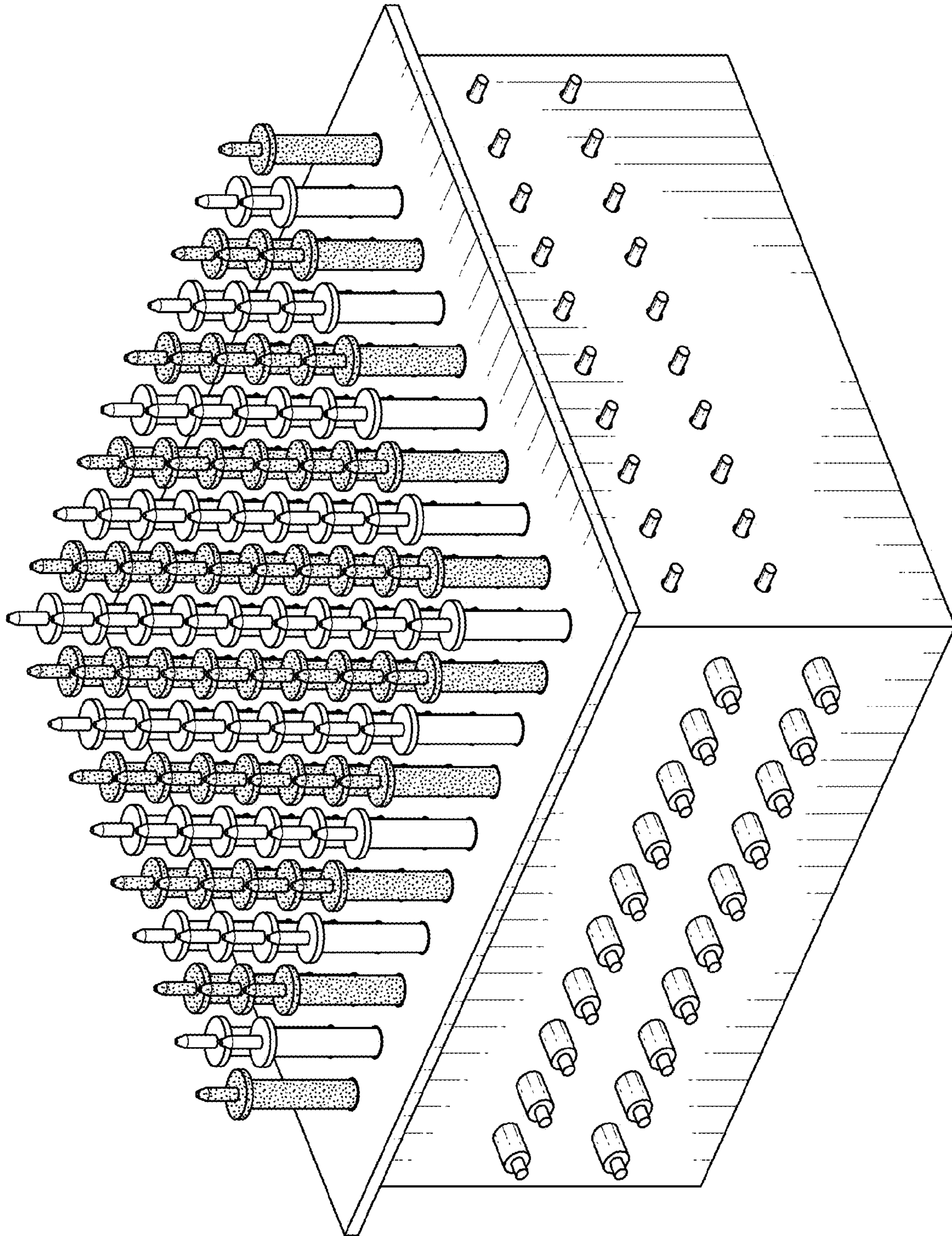


FIG. 1

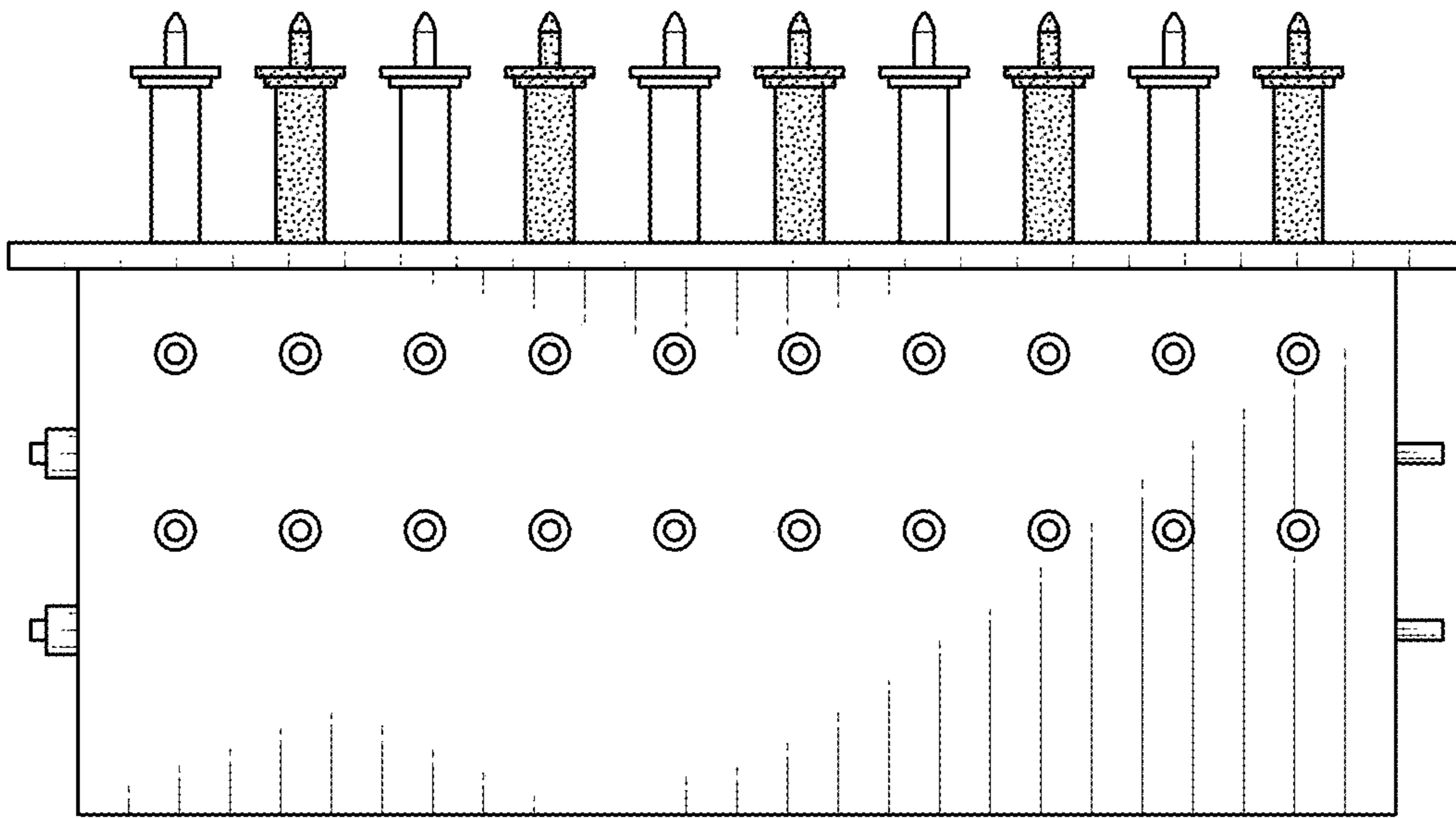


FIG. 2

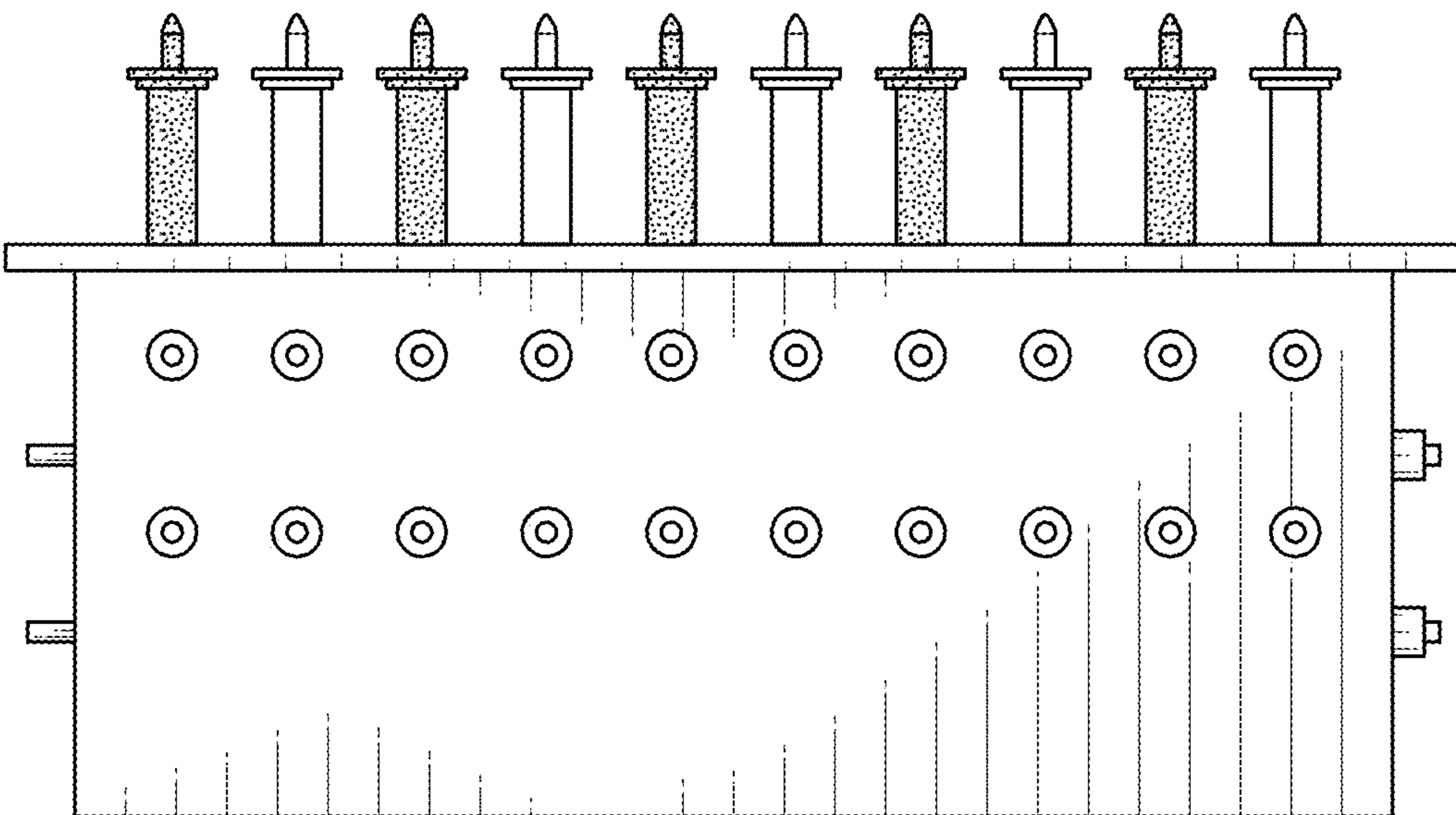


FIG. 3

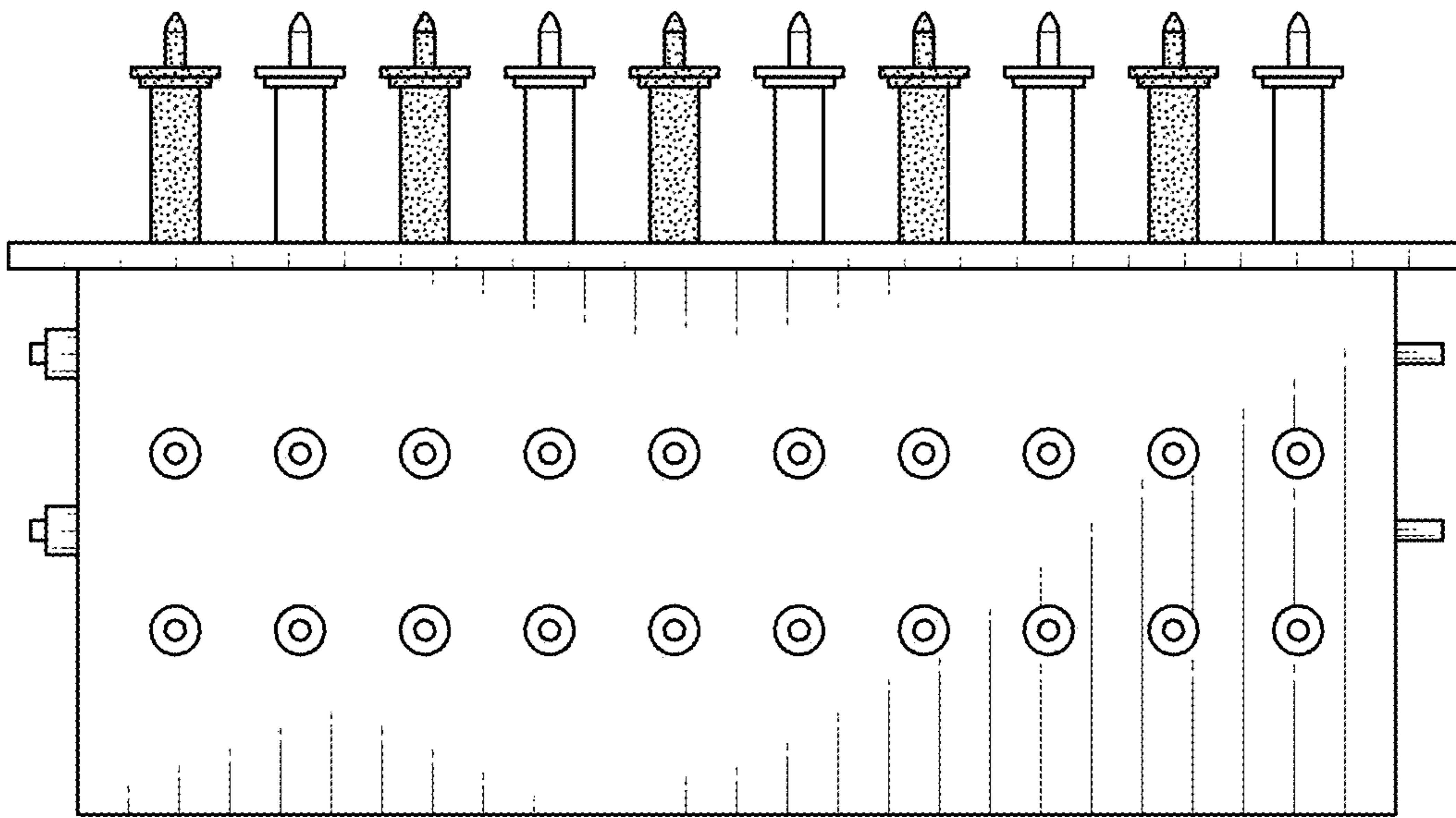


FIG. 4

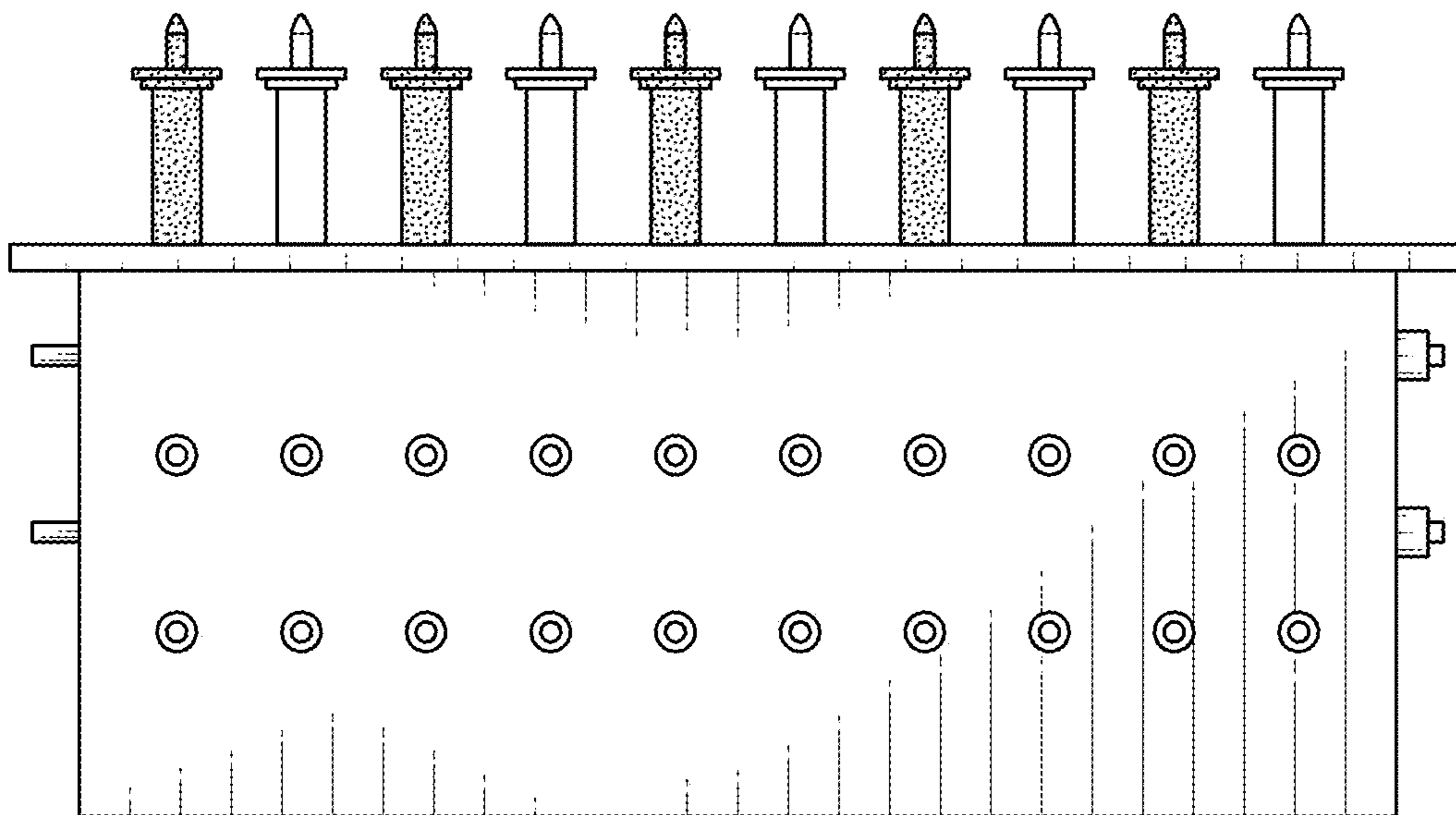


FIG. 5

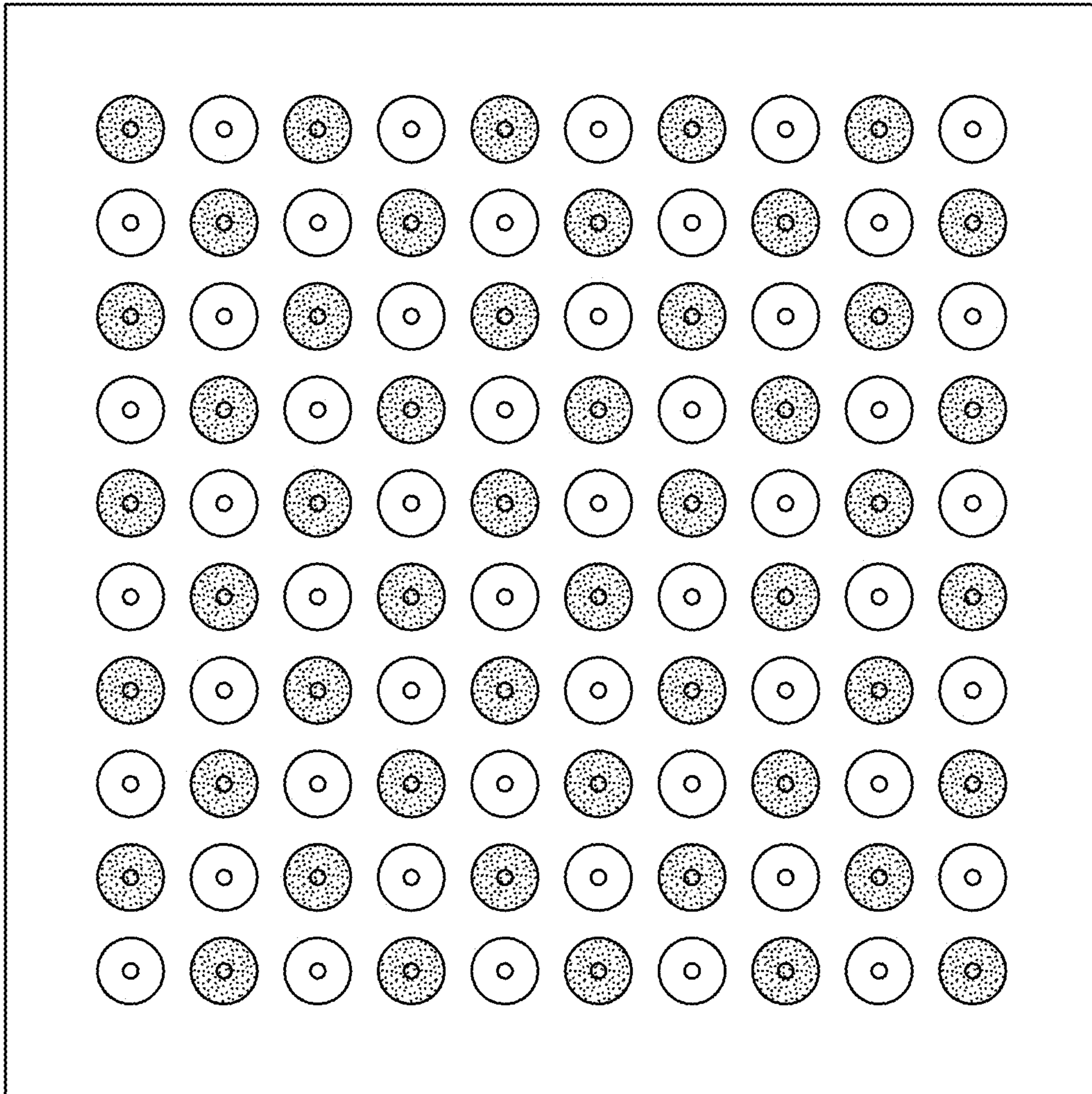


FIG. 6

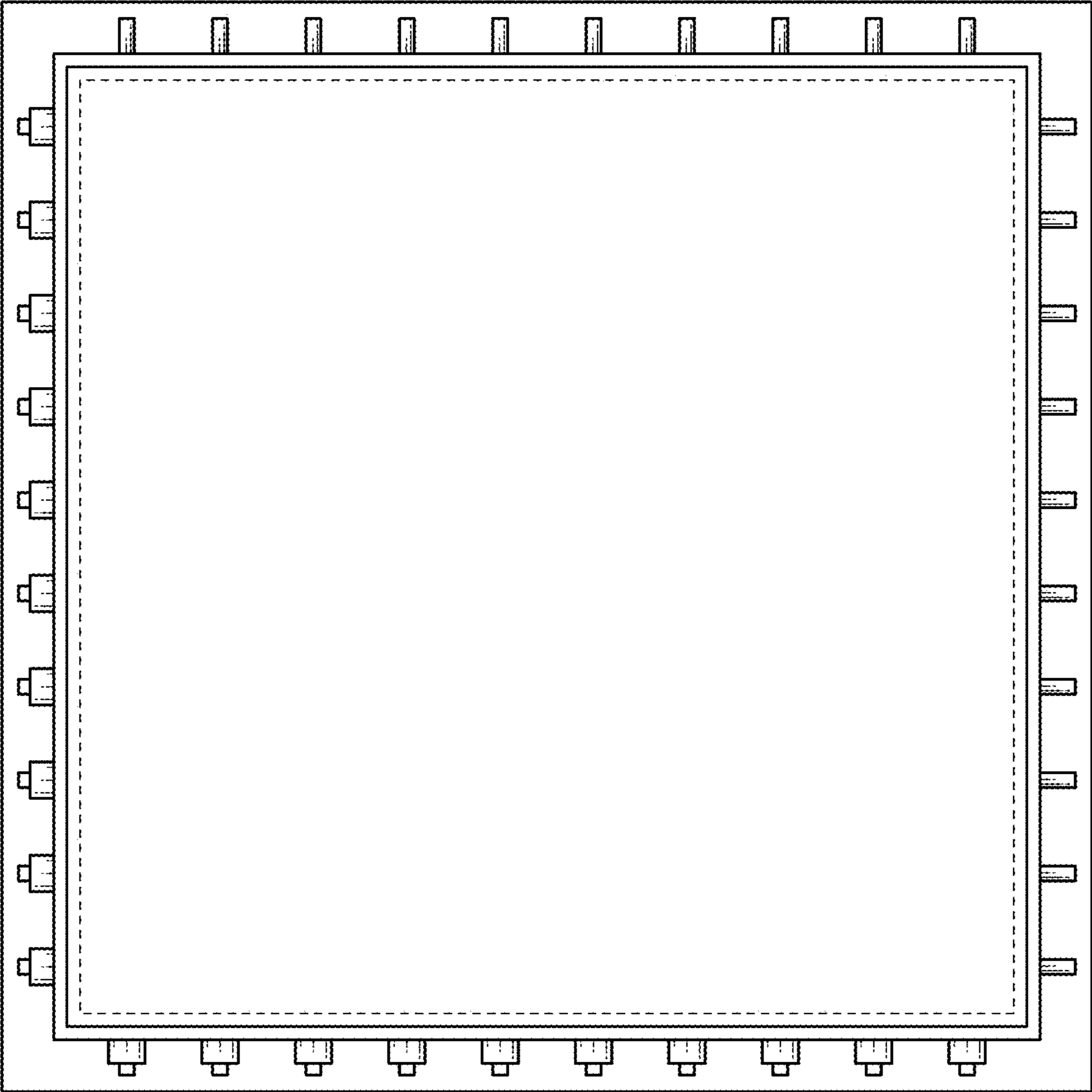


FIG. 7

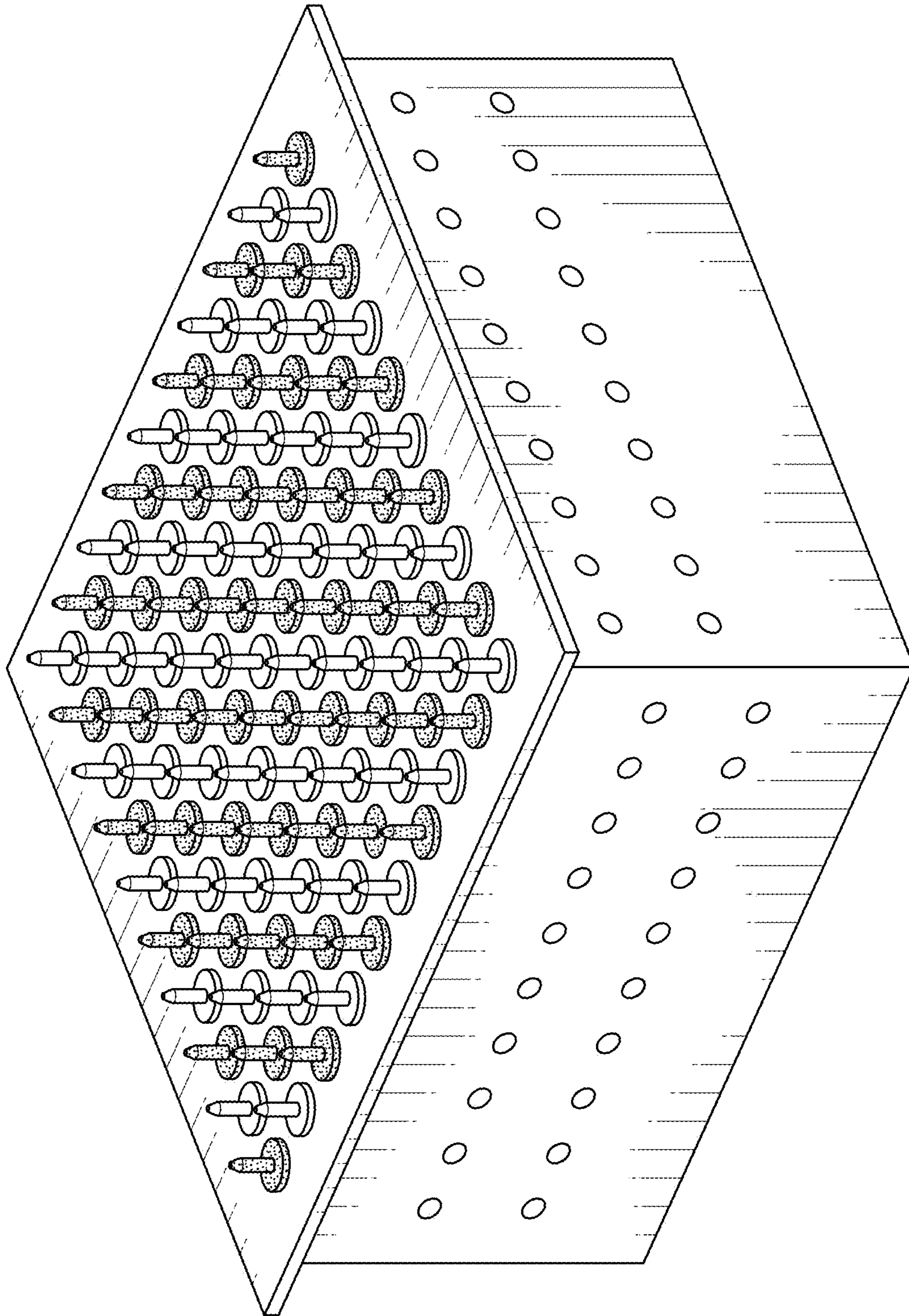


FIG. 8

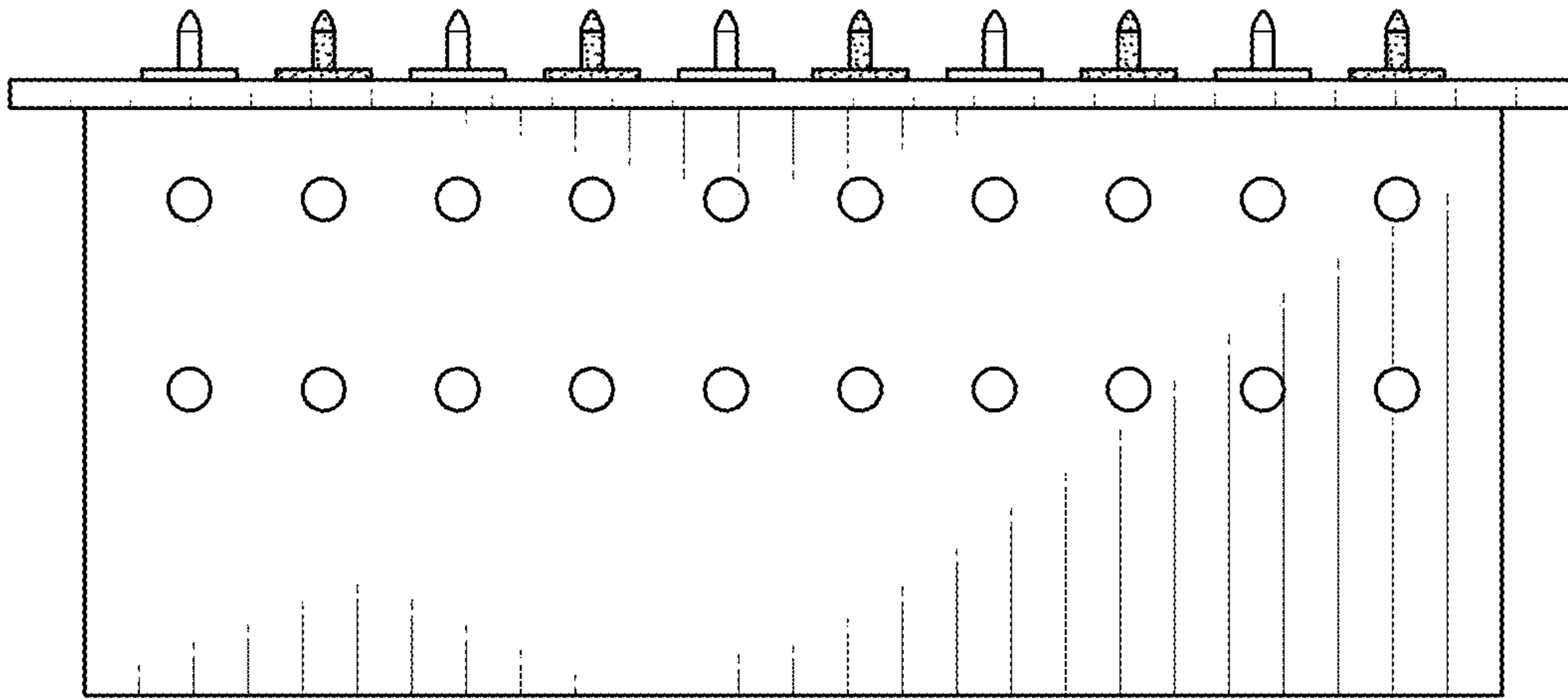


FIG. 9

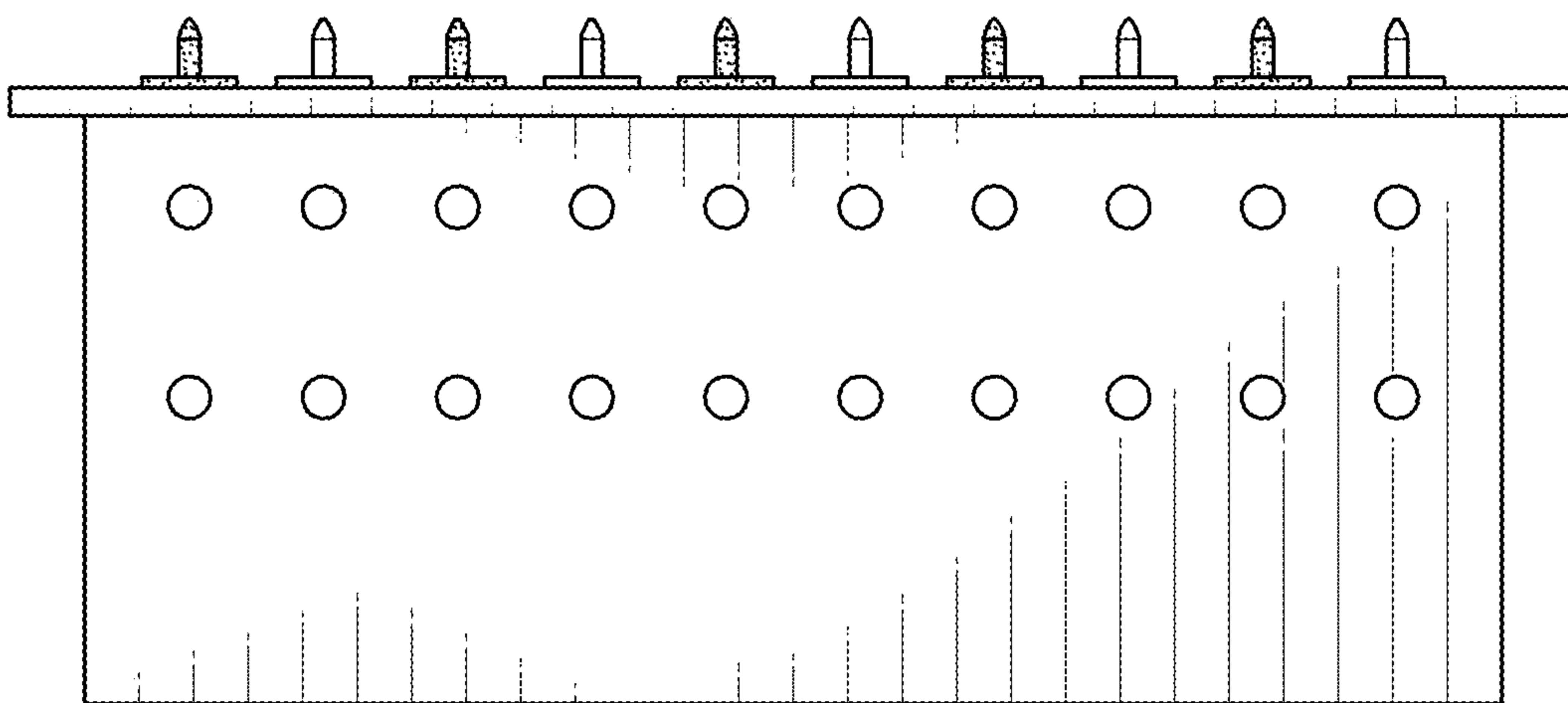


FIG. 10

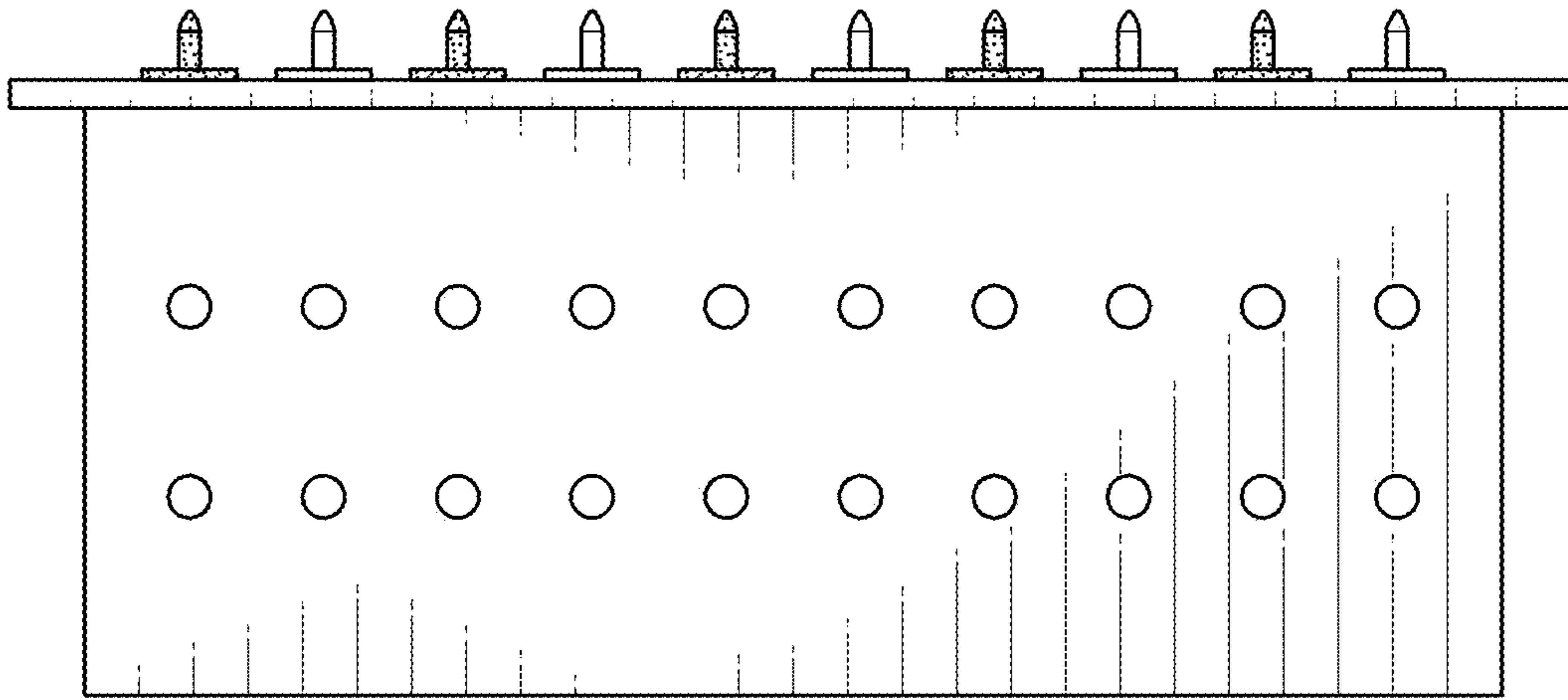


FIG. 11

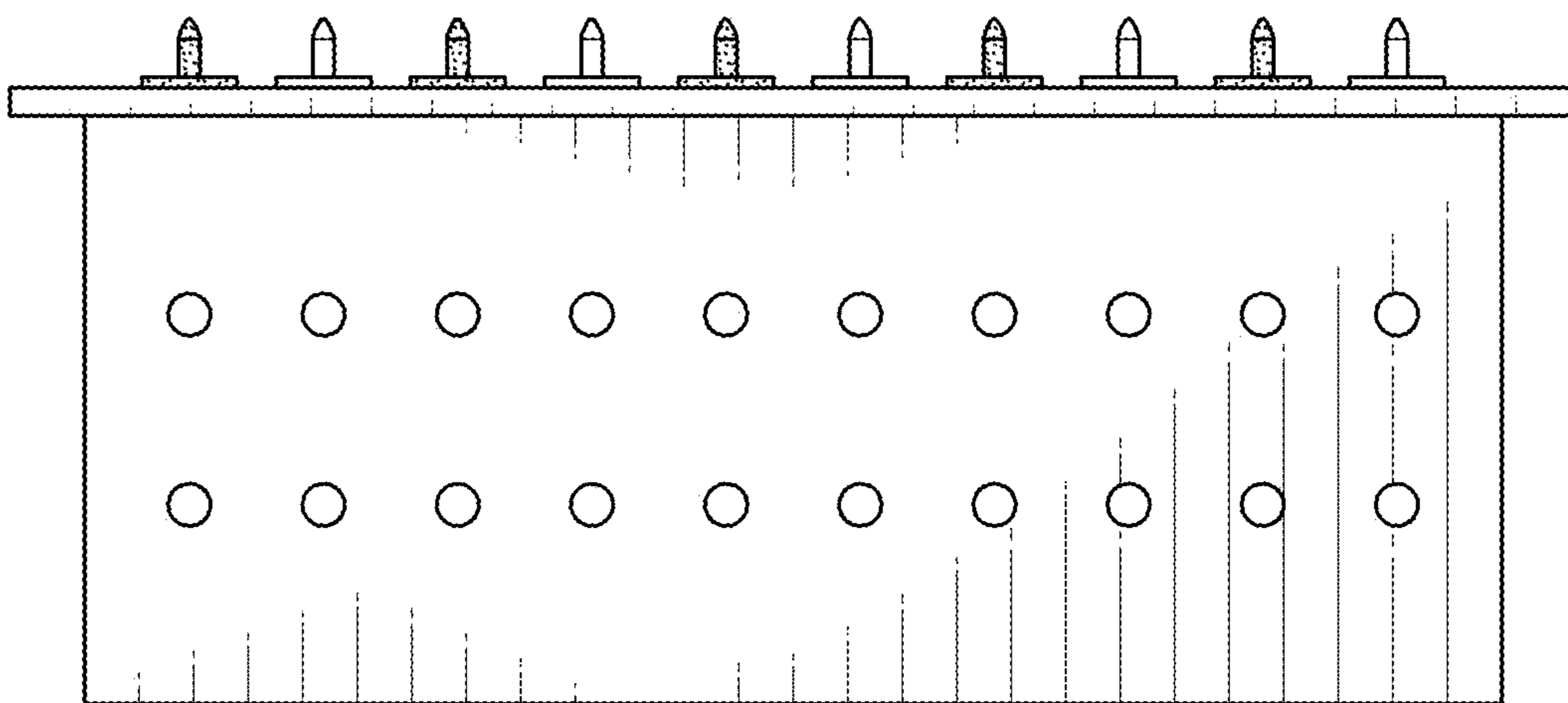


FIG. 12

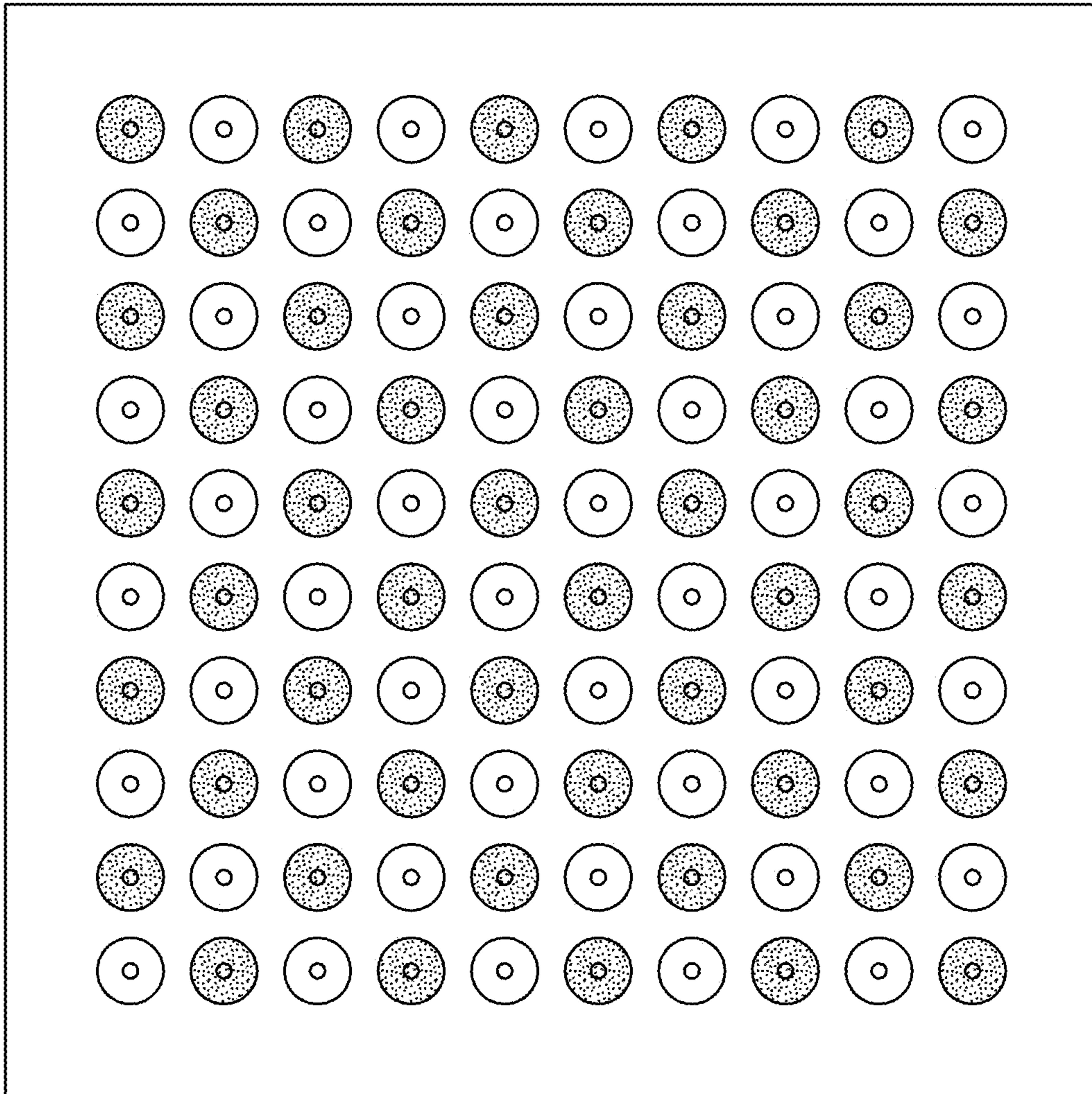


FIG. 13

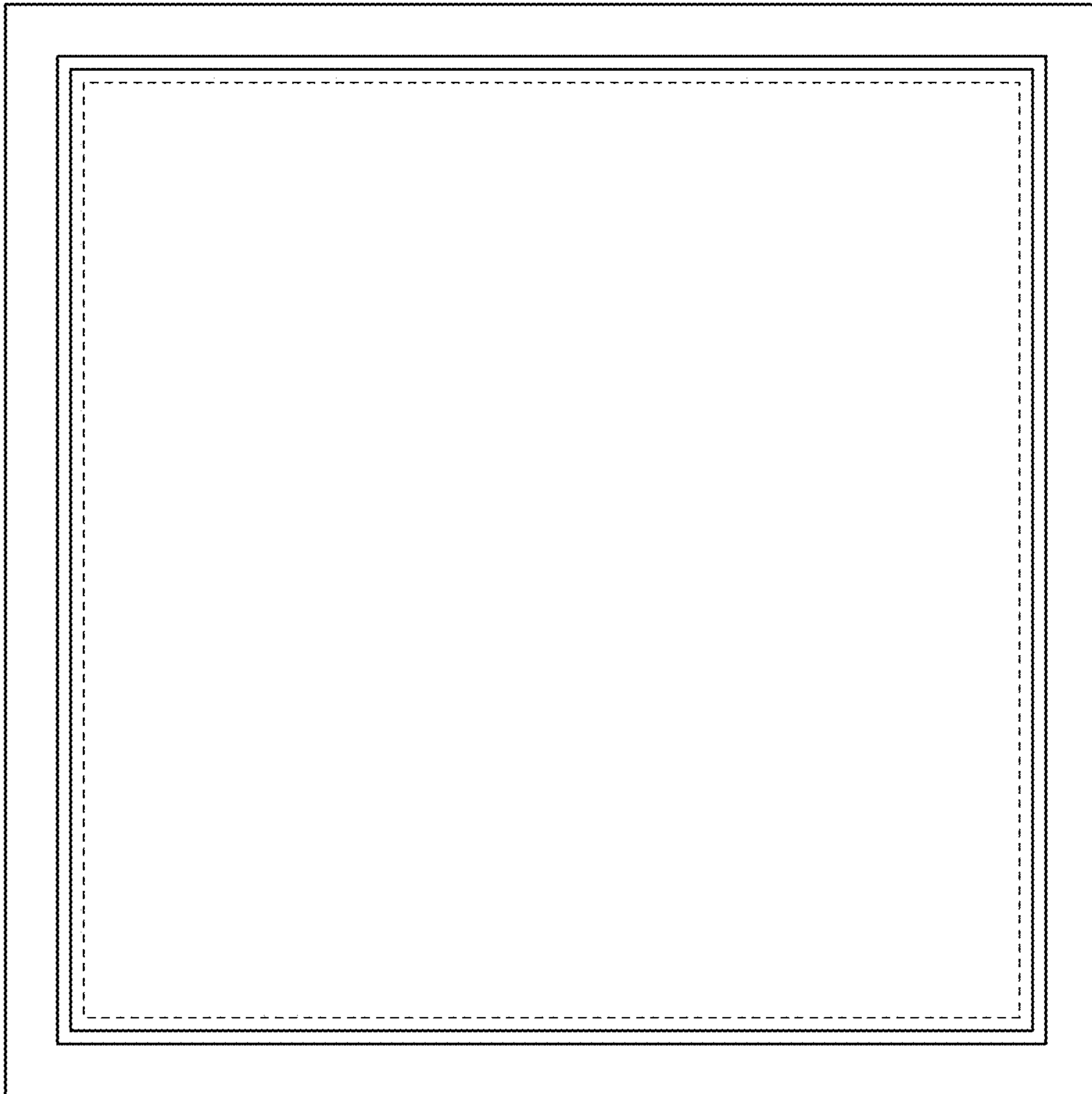


FIG. 14