



US00D906429S

(12) **United States Design Patent**
Morisawa et al.

(10) **Patent No.:** **US D906,429 S**
(45) **Date of Patent:** **** Dec. 29, 2020**

- (54) **REMOTE CONTROL DEVICE**
- (71) Applicant: **SONY INTERACTIVE ENTERTAINMENT INC.**, Tokyo (JP)
- (72) Inventors: **Yujin Morisawa**, Tokyo (JP); **Yasuhiro Ootori**, Tokyo (JP)
- (73) Assignee: **SONY INTERACTIVE ENTERTAINMENT INC.**, Tokyo (JP)

10,061,458 B1 * 8/2018 Bristol G06F 3/0488
 D844,609 S * 4/2019 Bristol D14/388
 D883,283 S * 5/2020 Chen D14/388
 (Continued)

- (**) Term: **15 Years**
- (21) Appl. No.: **29/696,517**
- (22) Filed: **Jun. 28, 2019**

FOREIGN PATENT DOCUMENTS

JP S-D1592593 11/2017

(30) **Foreign Application Priority Data**

Dec. 28, 2018 (JP) 2018-028853

(51) **LOC (12) Cl.** **21-01**

(52) **U.S. Cl.**
USPC **D21/333**

(58) **Field of Classification Search**
 USPC D14/174, 218, 387-389, 400-418,
 D14/426-431, 443, 449-450; D21/333,
 D21/363, 368
 CPC A63F 13/42; A63F 13/98; A63F 13/235;
 G06F 3/02; G06F 3/033
 See application file for complete search history.

OTHER PUBLICATIONS

Office Action issued in Japanese Patent Application No. 2018-028855 dated Nov. 5, 2019 with English translation provided.

Primary Examiner — John Windmuller

(74) *Attorney, Agent, or Firm* — Nixon & Vanderhye

(57) **CLAIM**

The ornamental design for a remote control device, as shown and described.

DESCRIPTION

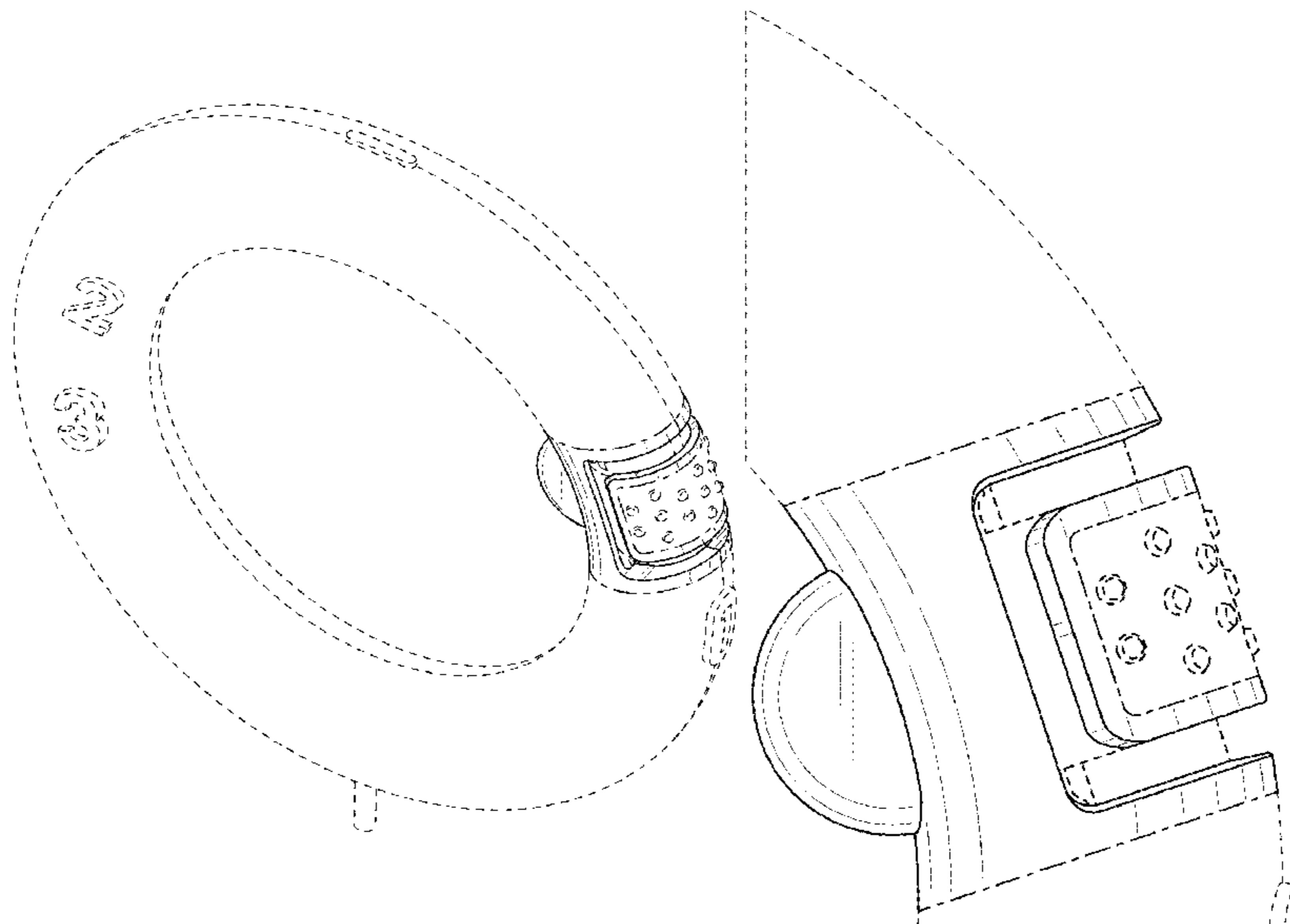
FIG. 1 is a perspective view of front, top and right side of a remote control device showing our new design;
 FIG. 2 is a perspective view of front, bottom and left side thereof;
 FIG. 3 is a perspective view of front and left side thereof;
 FIG. 4 is a perspective view of rear, bottom and left side thereof;
 FIG. 5 is a front view thereof;
 FIG. 6 is a rear view thereof;
 FIG. 7 is a left side view thereof;
 FIG. 8 is a right side view thereof;
 FIG. 9 is a top view thereof;
 FIG. 10 is a bottom view thereof; and,
 FIG. 11 is an enlarged reference view at A-A, B-B thereof.
 The portions of the article in broken lines are shown for illustrative purposes only and form no part of the claimed design. The dot and dashed lines mean a boundary between the claimed portion and the non-claimed portion.

(56) **References Cited**

U.S. PATENT DOCUMENTS

- 3,135,978 A * 6/1964 Grasmoen A47C 27/081
441/66
- D715,764 S * 10/2014 Kim D14/209.1
- D715,765 S * 10/2014 Kim D14/209.1
- D759,632 S * 6/2016 Fischer D14/216
- D780,807 S * 3/2017 Chen D14/496
- D812,144 S * 3/2018 Chandrasiri D21/333
- D817,300 S * 5/2018 Bristol D14/203.3

1 Claim, 9 Drawing Sheets



(56)

References Cited

U.S. PATENT DOCUMENTS

D887,410	S	*	6/2020	Lo	D14/388
D888,056	S	*	6/2020	Wei	D14/388
D891,429	S	*	7/2020	Hsu	D14/400
D891,430	S	*	7/2020	Lee	D14/400
D891,772	S	*	8/2020	Liang	D3/269
2016/0357249	A1	*	12/2016	Webb	G06F 3/017
2016/0363996	A1	*	12/2016	Higgins	G06F 3/0346
2017/0189798	A1	*	7/2017	Rogoza	G06F 3/02

* cited by examiner

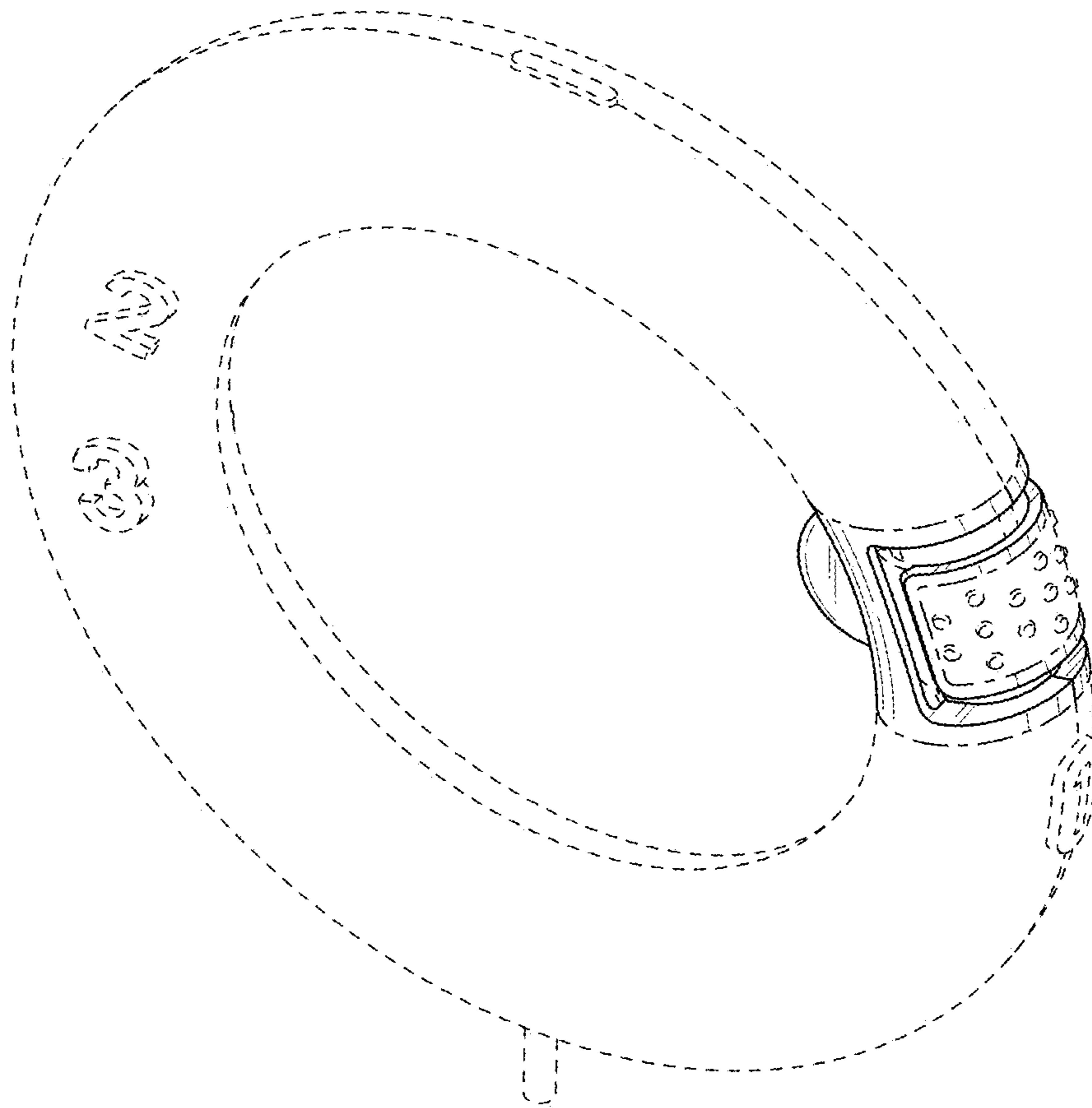


FIG. 1

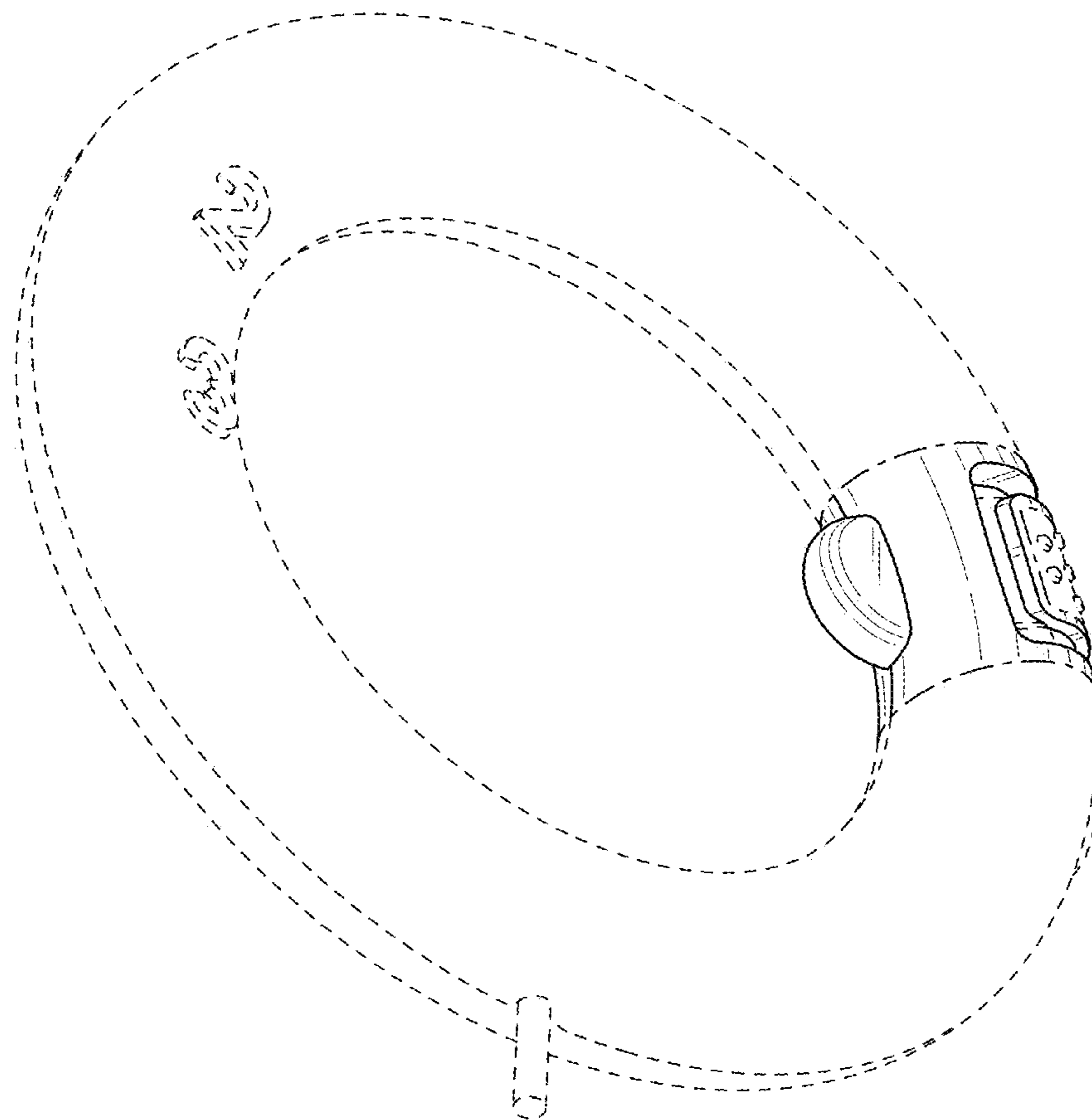


FIG. 2

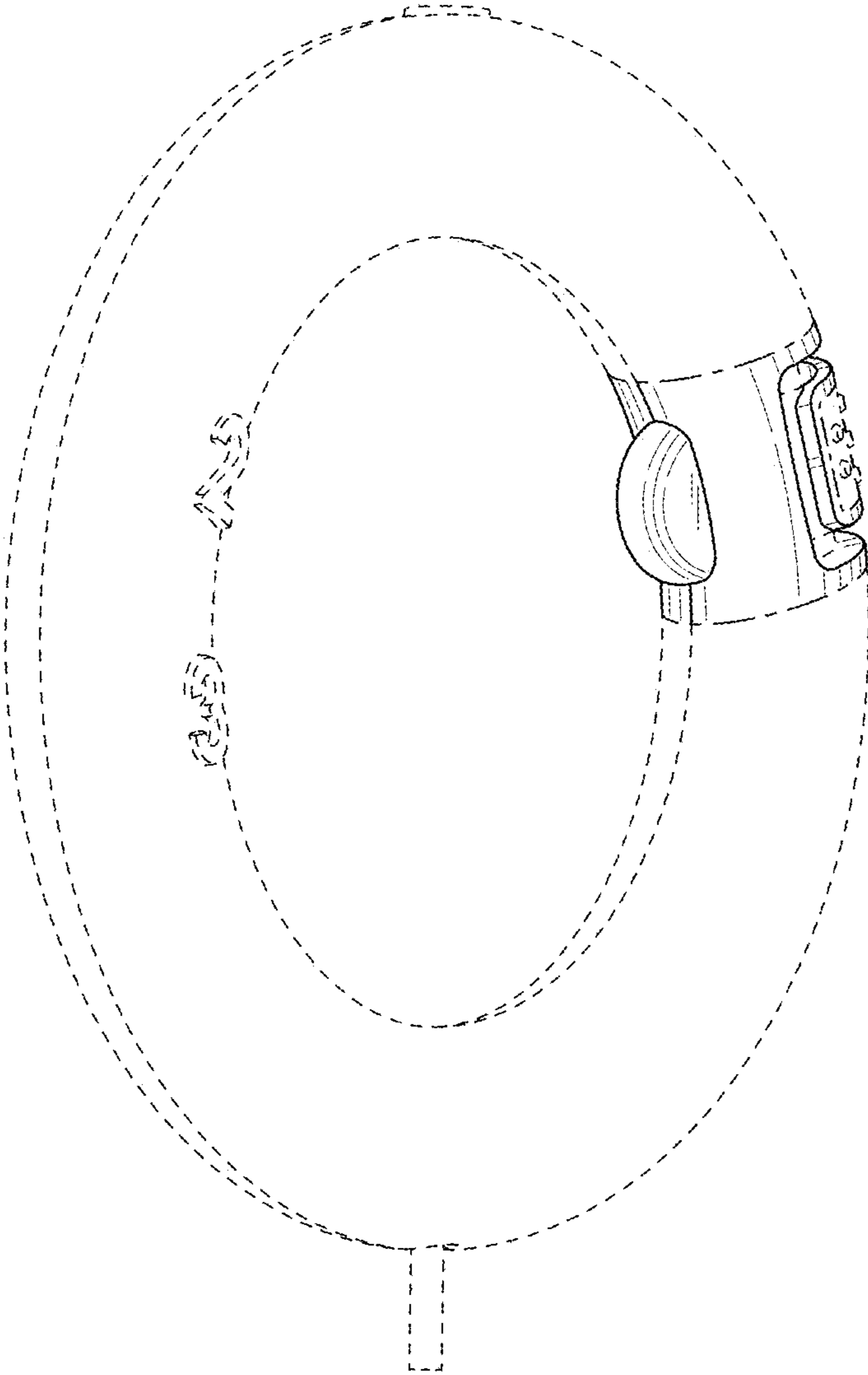


FIG. 3

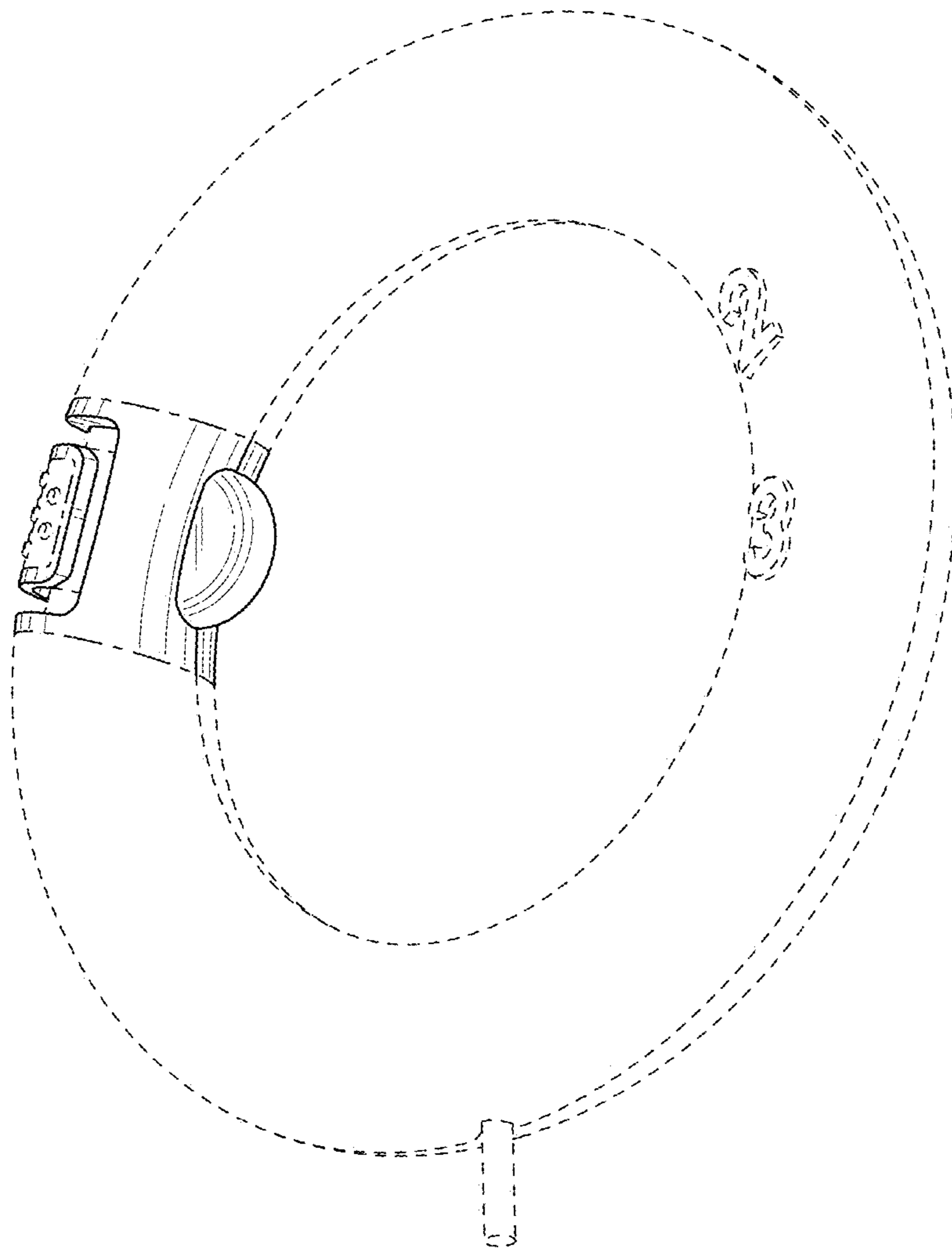


FIG. 4

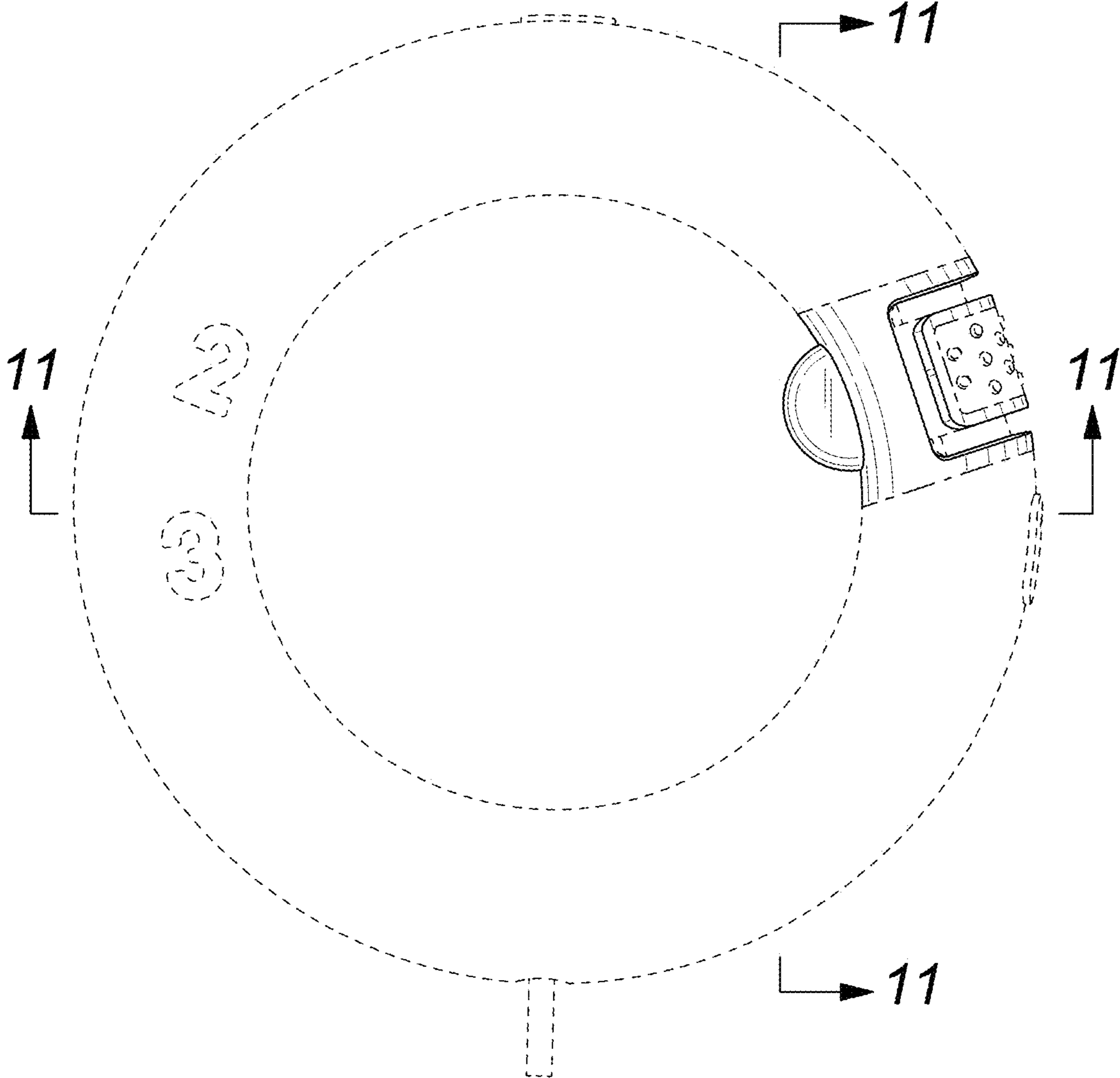


FIG. 5

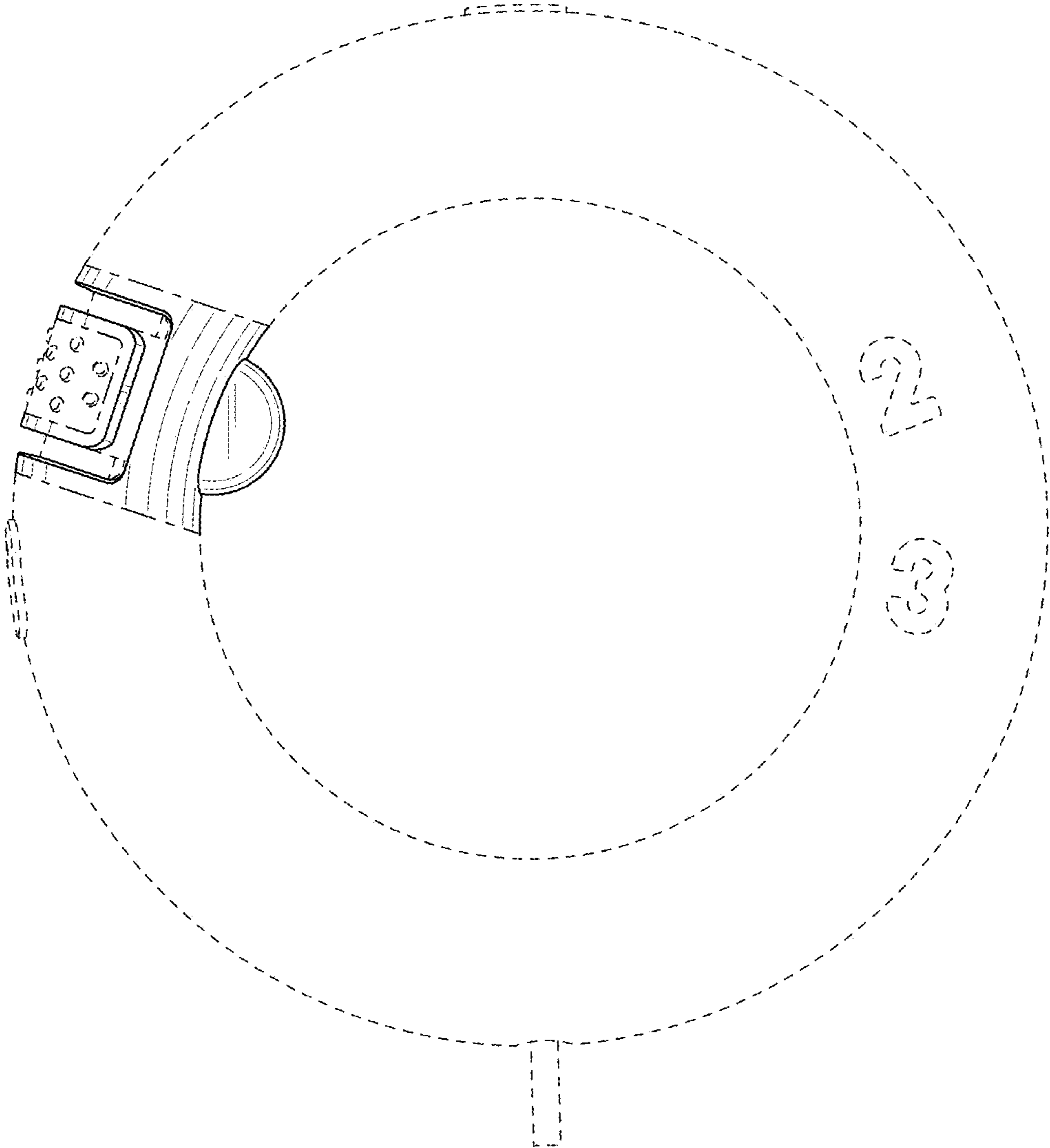


FIG. 6

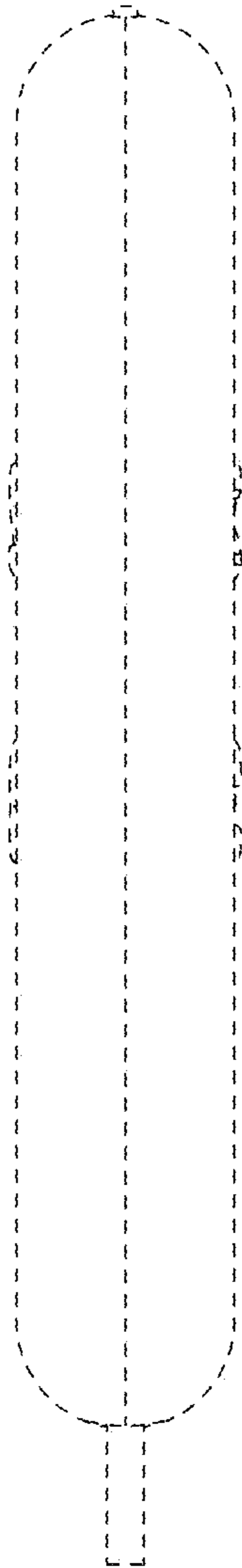


FIG. 7

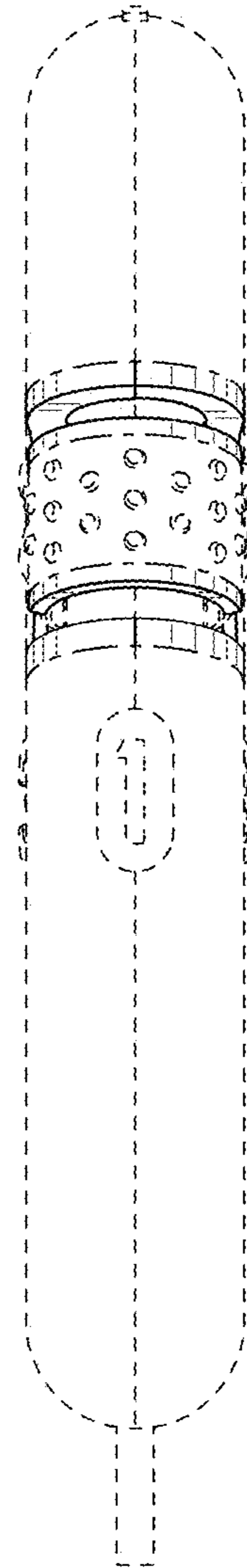


FIG. 8

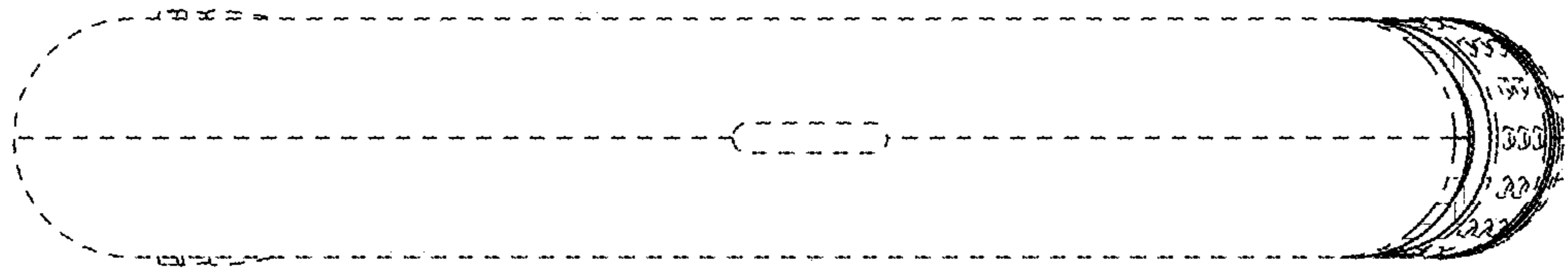


FIG. 9

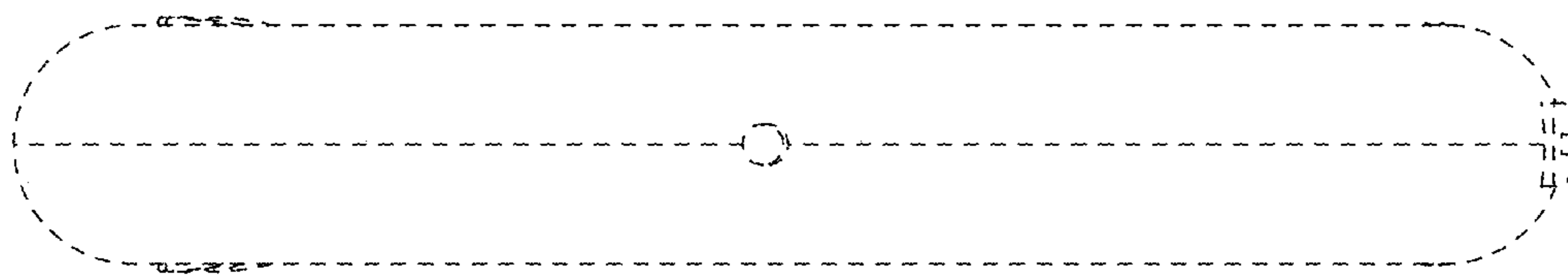


FIG. 10

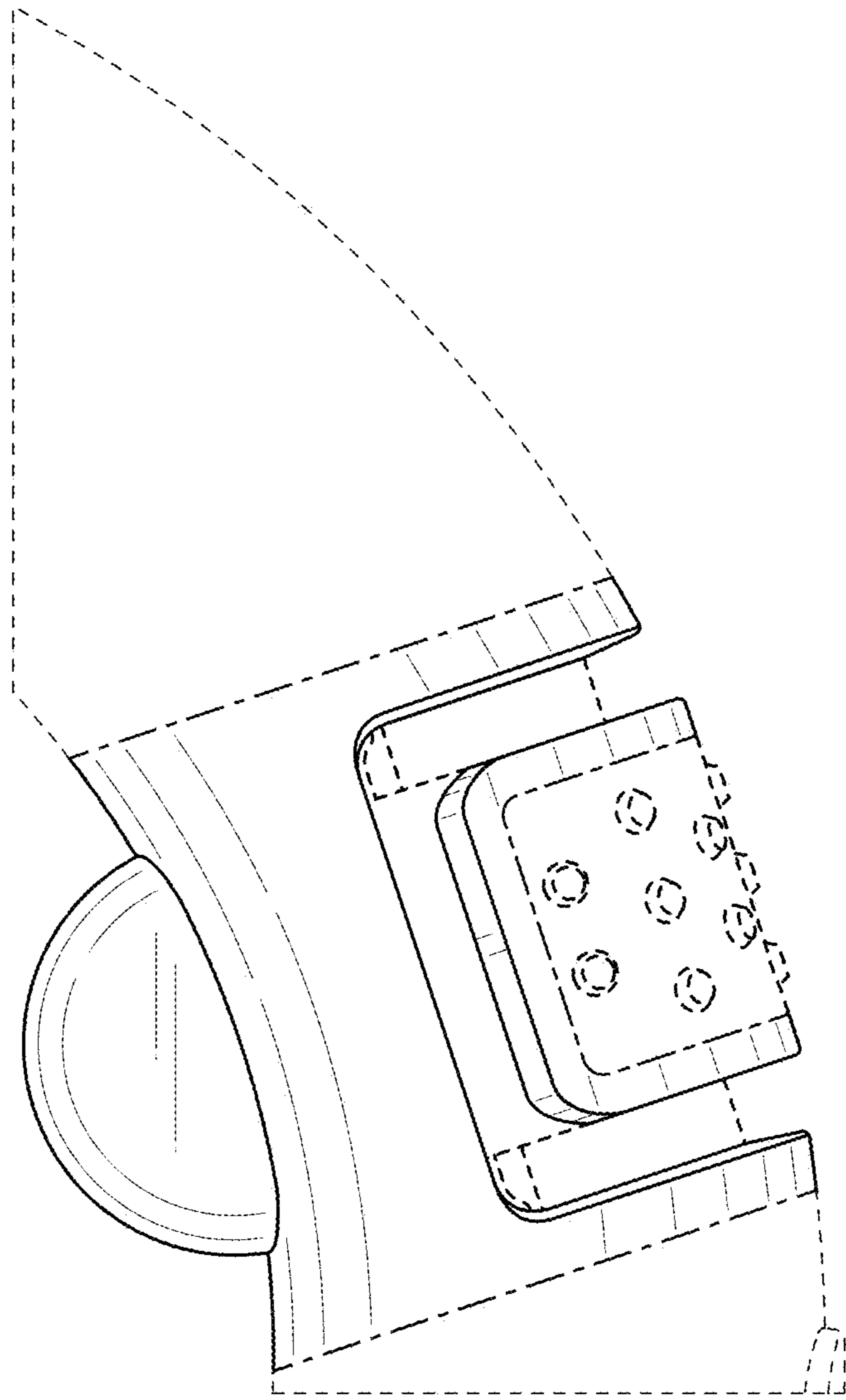


FIG. 11