



US00D906425S

(12) **United States Design Patent**
Johnson et al.

(10) **Patent No.:** **US D906,425 S**

(45) **Date of Patent:** **** Dec. 29, 2020**

- (54) **SIGN**
- (71) Applicant: **Target Brands, Inc.**, Minneapolis, MN (US)
- (72) Inventors: **Jason W. Johnson**, Wayzata, MN (US);
Blake M. Johnson, St. Paul, MN (US);
Jeremiah J. Albrecht, Minneapolis, MN (US)
- (73) Assignee: **Target Brands, Inc.**, Minneapolis, MN (US)

- (**) Term: **15 Years**
- (21) Appl. No.: **29/704,911**
- (22) Filed: **Sep. 9, 2019**

Related U.S. Application Data

- (63) Continuation of application No. 16/196,146, filed on Nov. 20, 2018.
- (51) **LOC (12) Cl.** **20-03**
- (52) **U.S. Cl.**
USPC **D20/42**
- (58) **Field of Classification Search**
USPC D20/10, 19, 22-28, 41-44, 99;
D10/109.1, 113.4
CPC G09F 1/04; G09F 1/06; G09F 1/14; G09F 3/00; G09F 3/08; G09F 7/00; G09F 9/00; G09F 13/00; G09F 13/04; G09F 13/0404; G09F 13/0413; G09F 13/18; G09F 2013/0445; G09F 2013/049; G09F 2013/227; G09F 15/00
See application file for complete search history.

(56) **References Cited**

U.S. PATENT DOCUMENTS

- 2,919,034 A 12/1959 Levy
- 2,998,107 A 8/1961 Zimmerla

- 3,208,173 A * 9/1965 Shank B60T 13/00
40/592
- 3,667,826 A 6/1972 Wood et al.
- D238,528 S * 1/1976 Crawford D6/314
- D240,168 S * 6/1976 Brettman D20/43
- 4,925,038 A 5/1990 Gajewski
- 5,048,699 A 9/1991 Trevaskis
- 5,272,991 A 12/1993 Carrigan, Jr.
- 5,553,723 A 9/1996 Stein
- D386,091 S * 11/1997 Caulk D20/10
- D386,208 S * 11/1997 Caulk D20/10
- 5,918,750 A 7/1999 Jackson
- 6,006,459 A * 12/1999 Kosmach B60R 13/105
40/200
- 6,029,833 A 2/2000 Yeh
- D427,824 S 7/2000 Osburn et al.
- 6,364,137 B1 4/2002 Glauth et al.
- 6,783,012 B2 8/2004 Webb
- D695,834 S * 12/2013 Glass D20/10
- D705,357 S * 5/2014 Markos G09F 7/18
D20/10
- D765,659 S * 9/2016 Kim D14/375

(Continued)

Primary Examiner — Mary Ann Calabrese

(74) *Attorney, Agent, or Firm* — Leanne Taveggia Farrell; Westman, Champlin & Koehler, P.A.

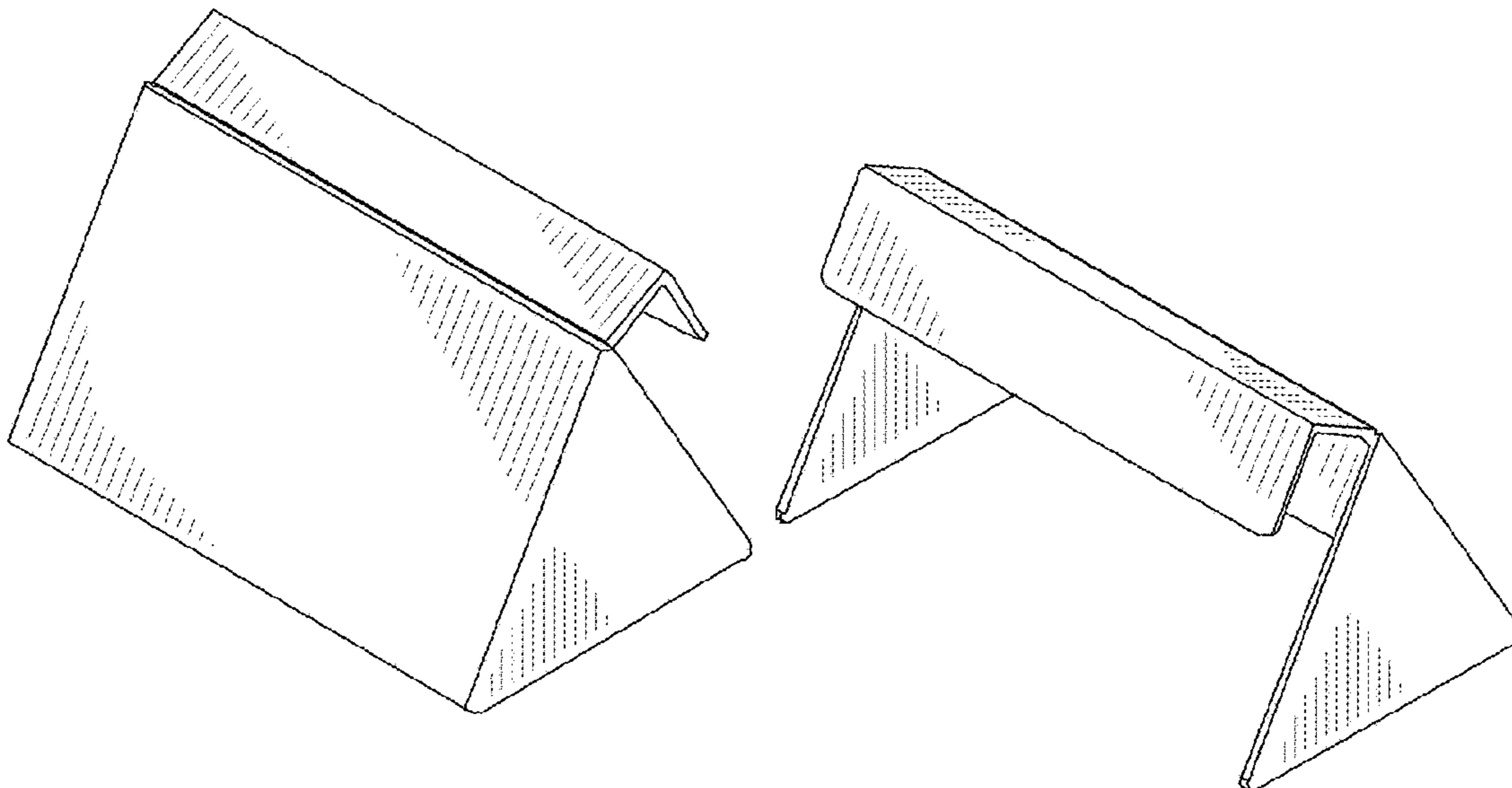
(57) **CLAIM**

The ornamental design for a sign, as shown and described.

DESCRIPTION

FIG. 1 is a front perspective view of a sign showing our new design;
 FIG. 2 is a back perspective view thereof;
 FIG. 3 is a front view thereof;
 FIG. 4 is a left side view thereof, the right side view being a mirror image; and,
 FIG. 5 is a top view thereof.

1 Claim, 1 Drawing Sheet



(56)

References Cited

U.S. PATENT DOCUMENTS

D765,660 S * 9/2016 Kim B60R 13/105
D14/375
2012/0312953 A1* 12/2012 Moffa A47B 23/044
248/459
2015/0275446 A1* 10/2015 Rust G09F 7/18
256/26
2016/0286985 A1 10/2016 Shamp et al.

* cited by examiner

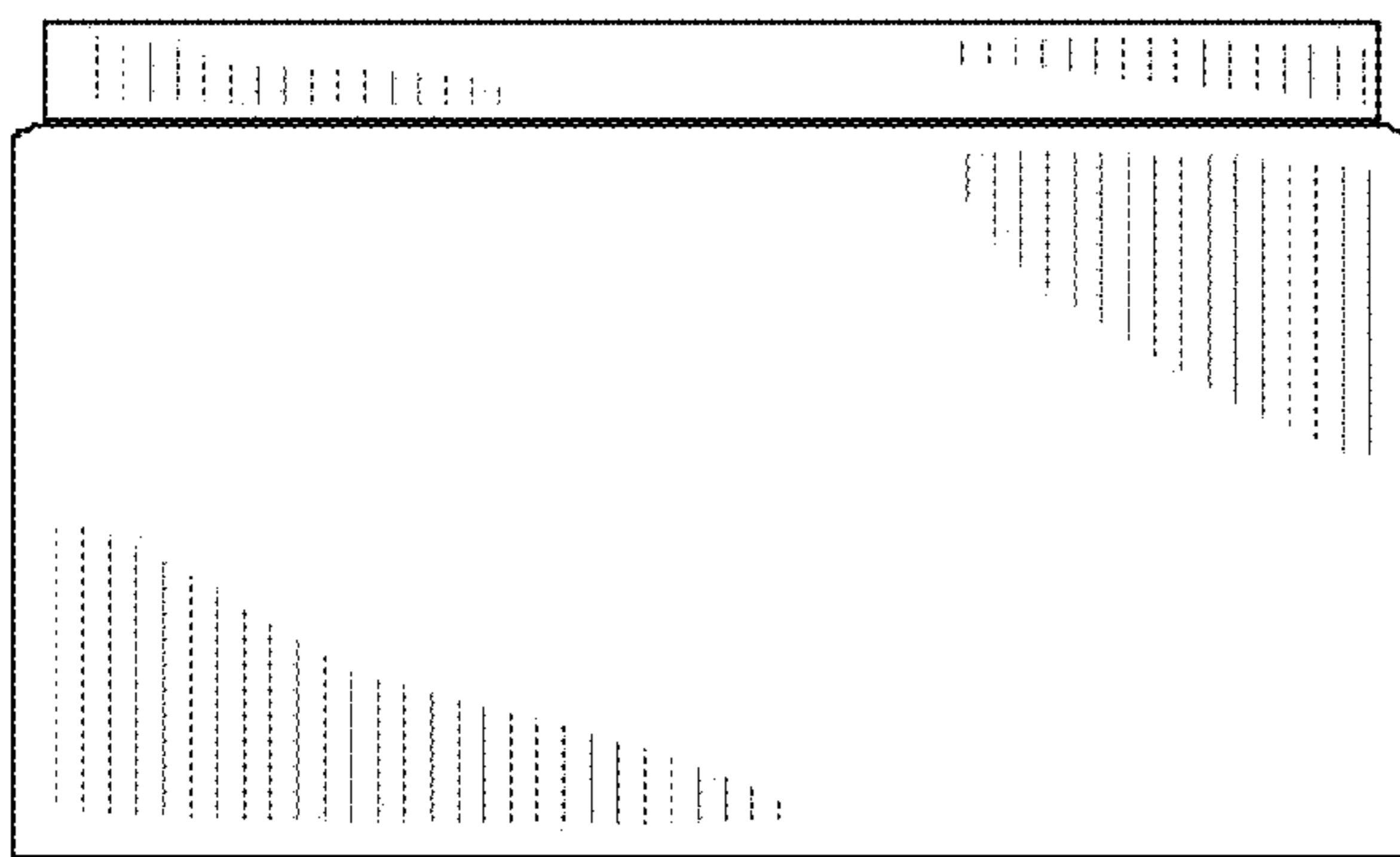
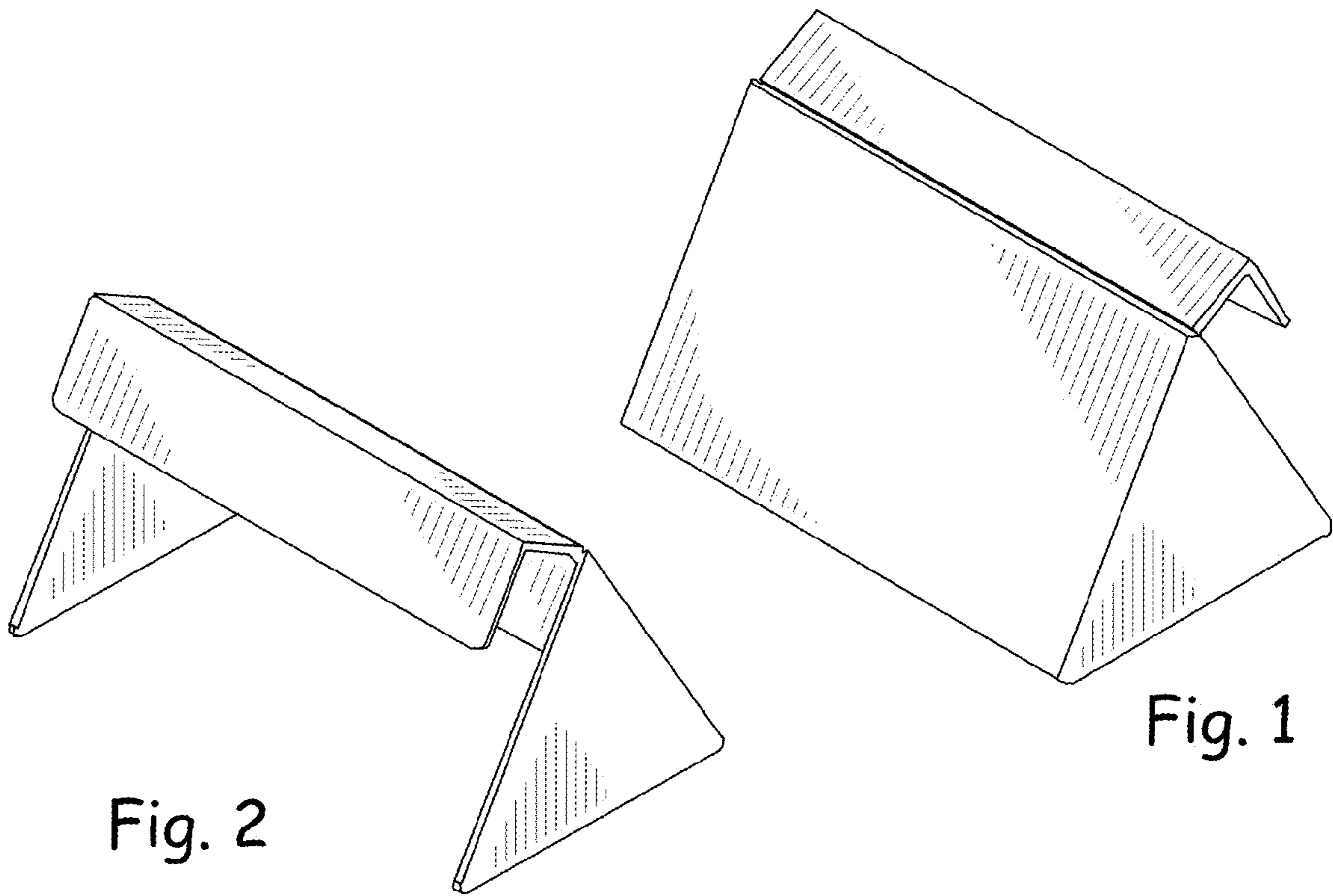


Fig. 3

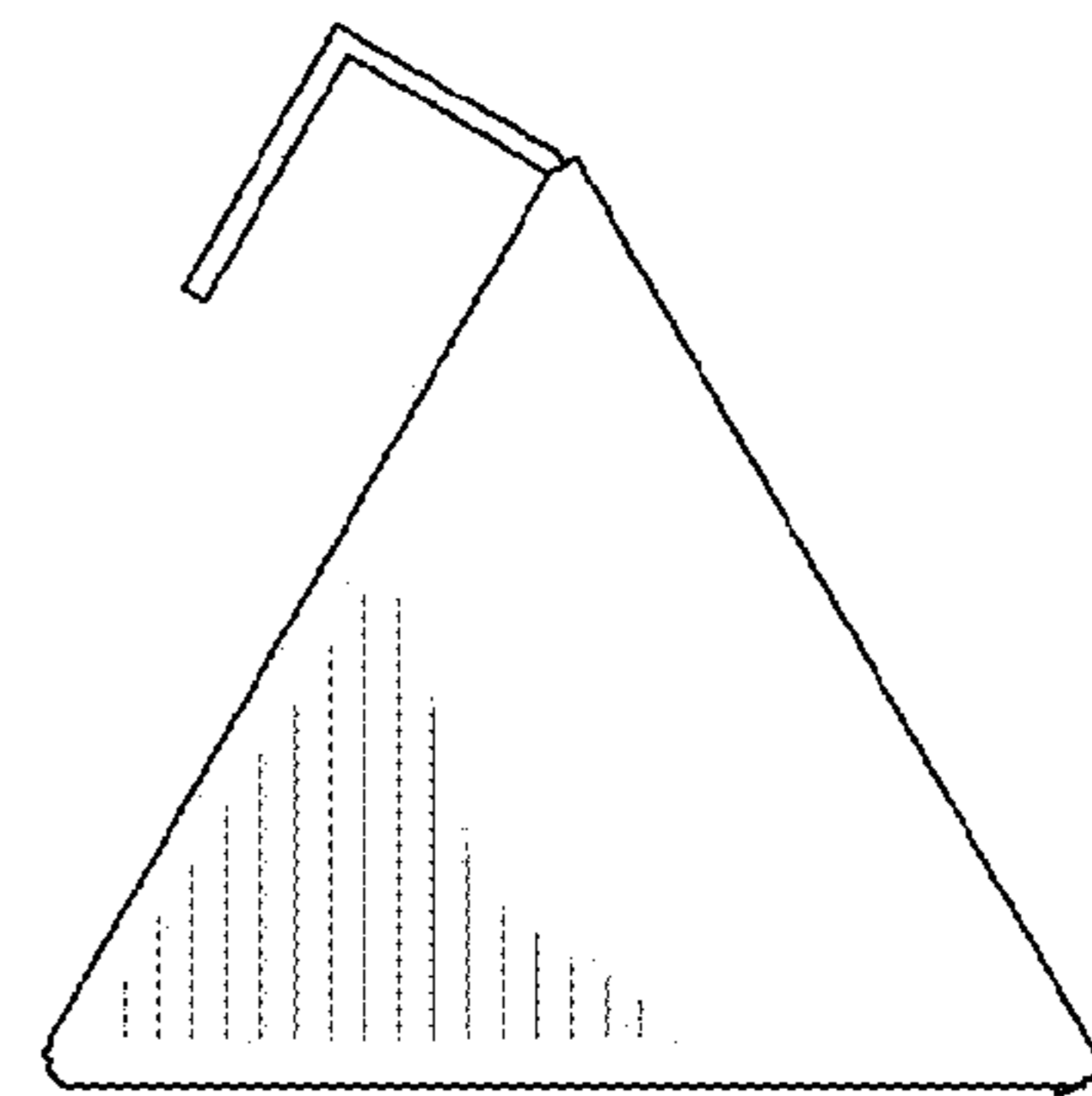


Fig. 4

Fig. 5

