



US00D906424S

(12) **United States Design Patent**
Chiang

(10) **Patent No.:** **US D906,424 S**

(45) **Date of Patent:** **** Dec. 29, 2020**

(54) **CHALKBOARD BASKET**

(71) Applicant: **My Gift Enterprise, LLC**,
Woodinville, WA (US)

(72) Inventor: **Cliff Chiang**, Woodinville, WA (US)

(**) Term: **15 Years**

(21) Appl. No.: **29/695,743**

(22) Filed: **Jun. 21, 2019**

(51) **LOC (12) Cl.** **19-02**

(52) **U.S. Cl.**
USPC **D19/90**

(58) **Field of Classification Search**
USPC D19/75-80, 86-92; D3/304, 306, 312,
D3/313; D6/566, 568, 570, 675.2, 675.5,
D6/567; D7/600.4
CPC B42D 5/005; B42D 5/006; B43M 99/00;
B43M 99/001; B43M 99/006; B43M
99/008; B43M 99/009; A47B 63/00;
A47B 63/10; A47B 63/14; B42F 7/00;
A47F 7/142

See application file for complete search history.

(56) **References Cited**

U.S. PATENT DOCUMENTS

4,376,502	A	*	3/1983	Cohen	B62B 3/1464	224/411
D296,600	S	*	7/1988	Singerman	D3/306	
D326,550	S	*	5/1992	Waterman	D3/304	
D342,854	S	*	1/1994	Pentz	D6/552	
D364,297	S	*	11/1995	Daniel	D3/306	
6,039,422	A	*	3/2000	Butters	A47B 45/00	16/422
D484,666	S	*	12/2003	Caya	D3/304	
D530,962	S	*	10/2006	Wood	D6/566	
D570,634	S	*	6/2008	Goodman	D6/566	
D690,108	S	*	9/2013	Goodman	D3/306	
D691,657	S	*	10/2013	Hu	D19/90	
D704,958	S	*	5/2014	Callif	D6/567	

D747,877	S	*	1/2016	Goodman	D3/315
D751,763	S	*	3/2016	Goodman	D28/73
D793,087	S	*	8/2017	Goodman	D3/306
D808,742	S	*	1/2018	Lee	D7/637
D812,396	S	*	3/2018	Wilson	D6/566
D819,333	S	*	6/2018	Goodman	D3/306
D823,599	S	*	7/2018	Goodman	D3/306
D823,648	S	*	7/2018	Goodman	D7/631
D835,911	S	*	12/2018	Goodman	D3/306
D838,979	S	*	1/2019	Goodman	D3/304
D851,959	S	*	6/2019	Goodman	D6/566
D851,999	S	*	6/2019	Goodman	D7/532
D859,524	S	*	9/2019	Goodman	D19/90

(Continued)

OTHER PUBLICATIONS

Wall Mounted Rustic Style Chicken Wire Black Metal Magazine Organizer Basket Rack w/Chalkboard Label [Retrieved Online] [Retrieved Jun. 21, 2019] Retrieved from: <https://www.amazon.com/dp/B01F470RR4>.

(Continued)

Primary Examiner — Elizabeth A. Albert
(74) *Attorney, Agent, or Firm* — Dean A. Craine, PS.

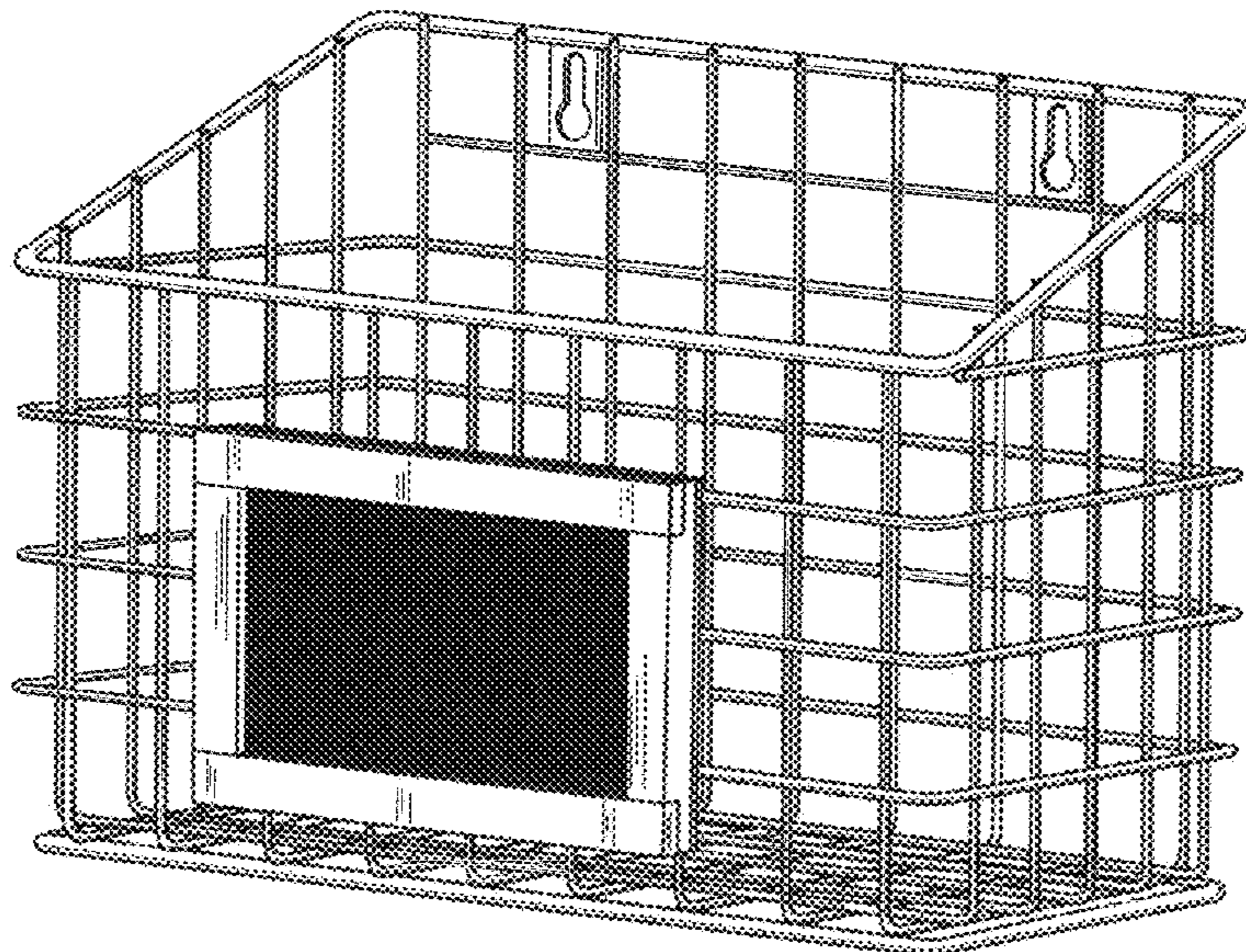
(57) **CLAIM**

The ornamental design for a chalkboard basket, as shown and described.

DESCRIPTION

FIG. 1 is a front perspective view of a chalkboard basket showing my new design.
FIG. 2 is a rear perspective view thereof.
FIG. 3 is a front elevation view thereof.
FIG. 4 is a rear elevation view thereof.
FIG. 5 is a top plan view thereof.
FIG. 6 is a bottom plan view thereof.
FIG. 7 is a left-side elevational view thereof; and,
FIG. 8 is a right-side elevational view thereof.

1 Claim, 8 Drawing Sheets



(56)

References Cited

U.S. PATENT DOCUMENTS

D881,574 S * 4/2020 Dittrich D3/304
D881,575 S * 4/2020 Wilson D3/306

OTHER PUBLICATIONS

Set of 2 Country Rustic Wall Mounted Openwork Metal Wire Storage Basket Shelves/Display Racks [Retrieved Online] [Retrieved Jun. 21, 2019] Retrieved from: <https://www.amazon.com/dp/B011M8BAPM>.

Modern Black Metal Wire Wall Mounted Hanging Towel Basket/Freestanding Magazine/File Organizer [Retrieved Online] [Retrieved Jun. 21, 2019] Retrieved from: <https://www.amazon.com/dp/B00TGIXLRQ>.

* cited by examiner

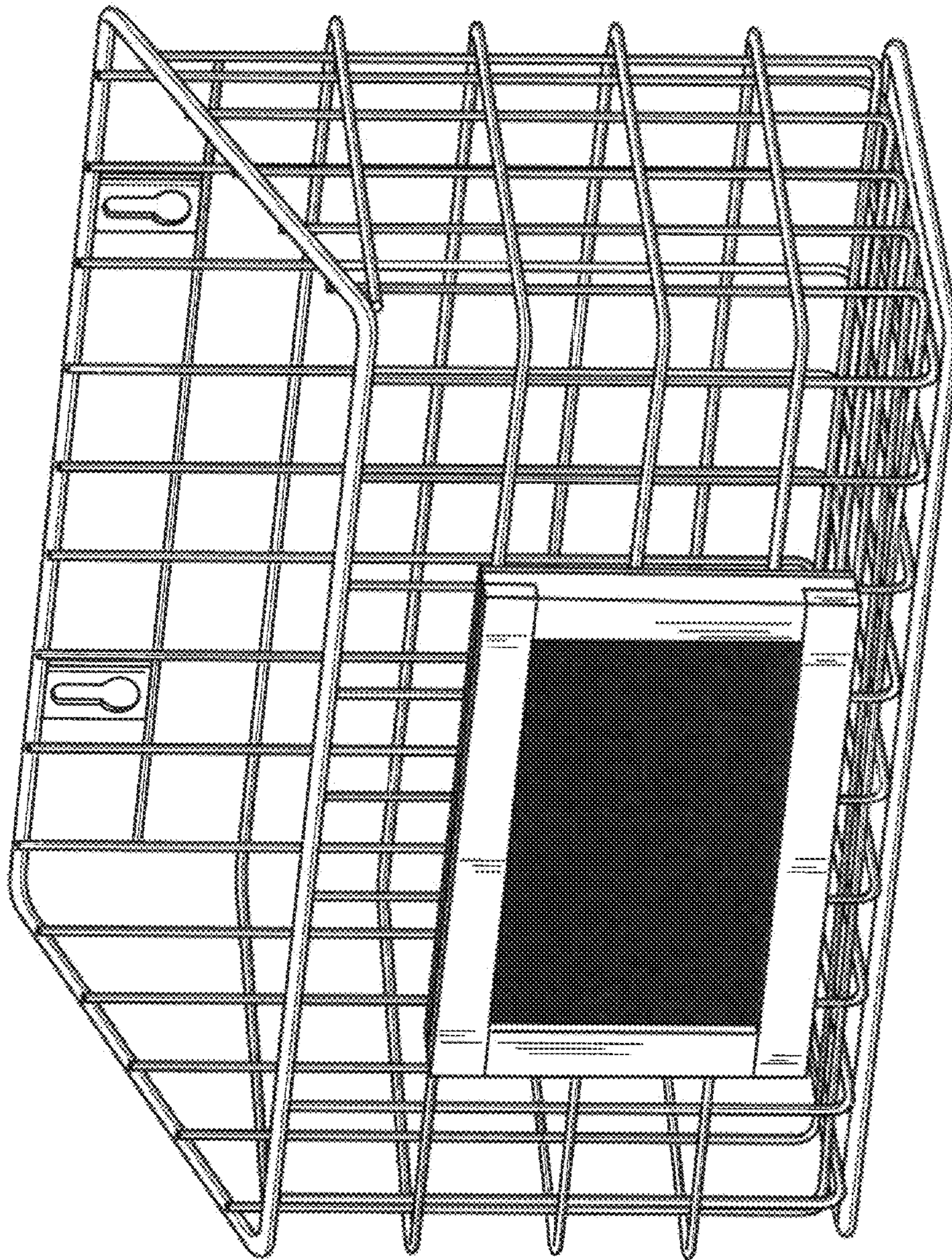


FIG. 1

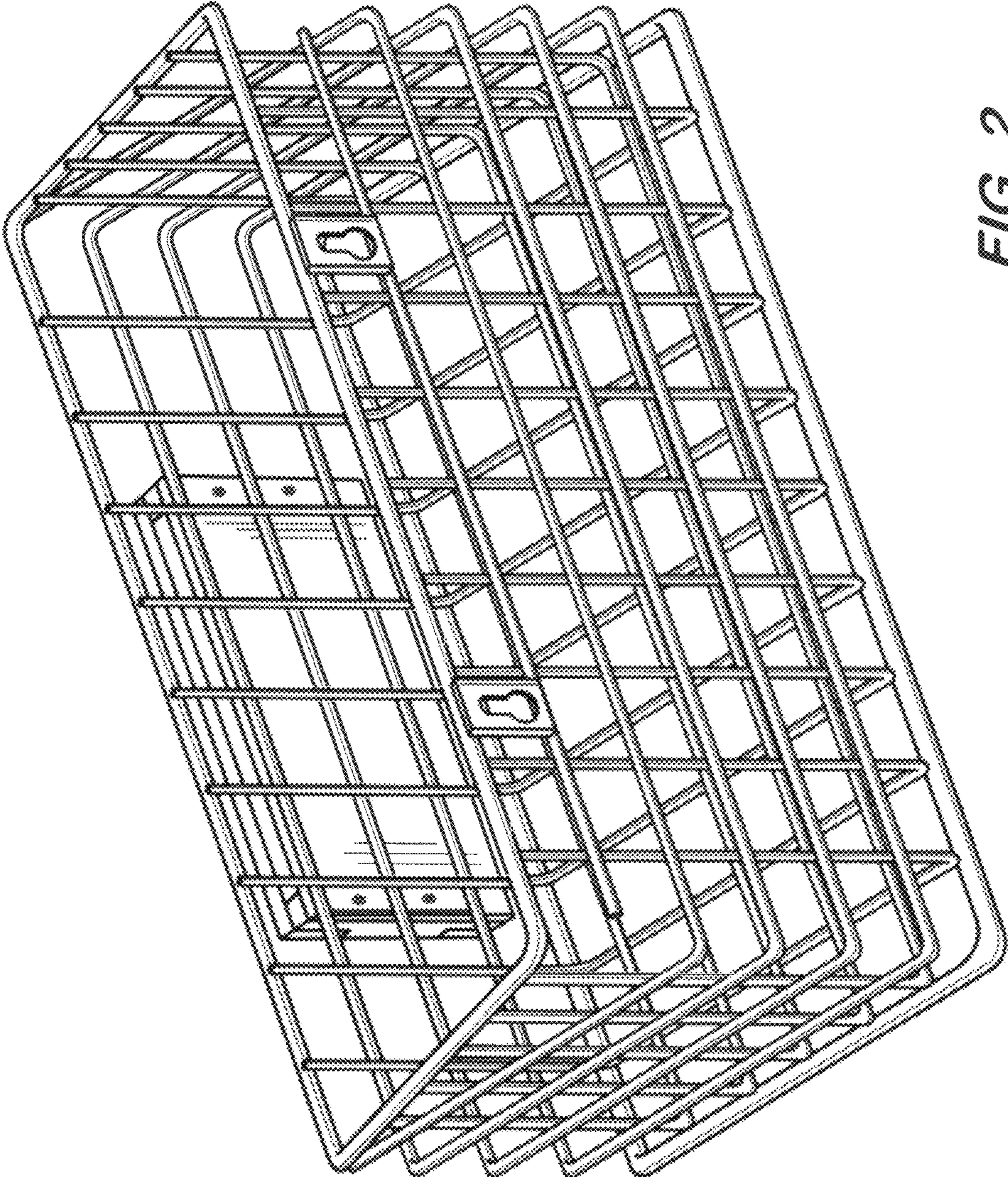


FIG. 2

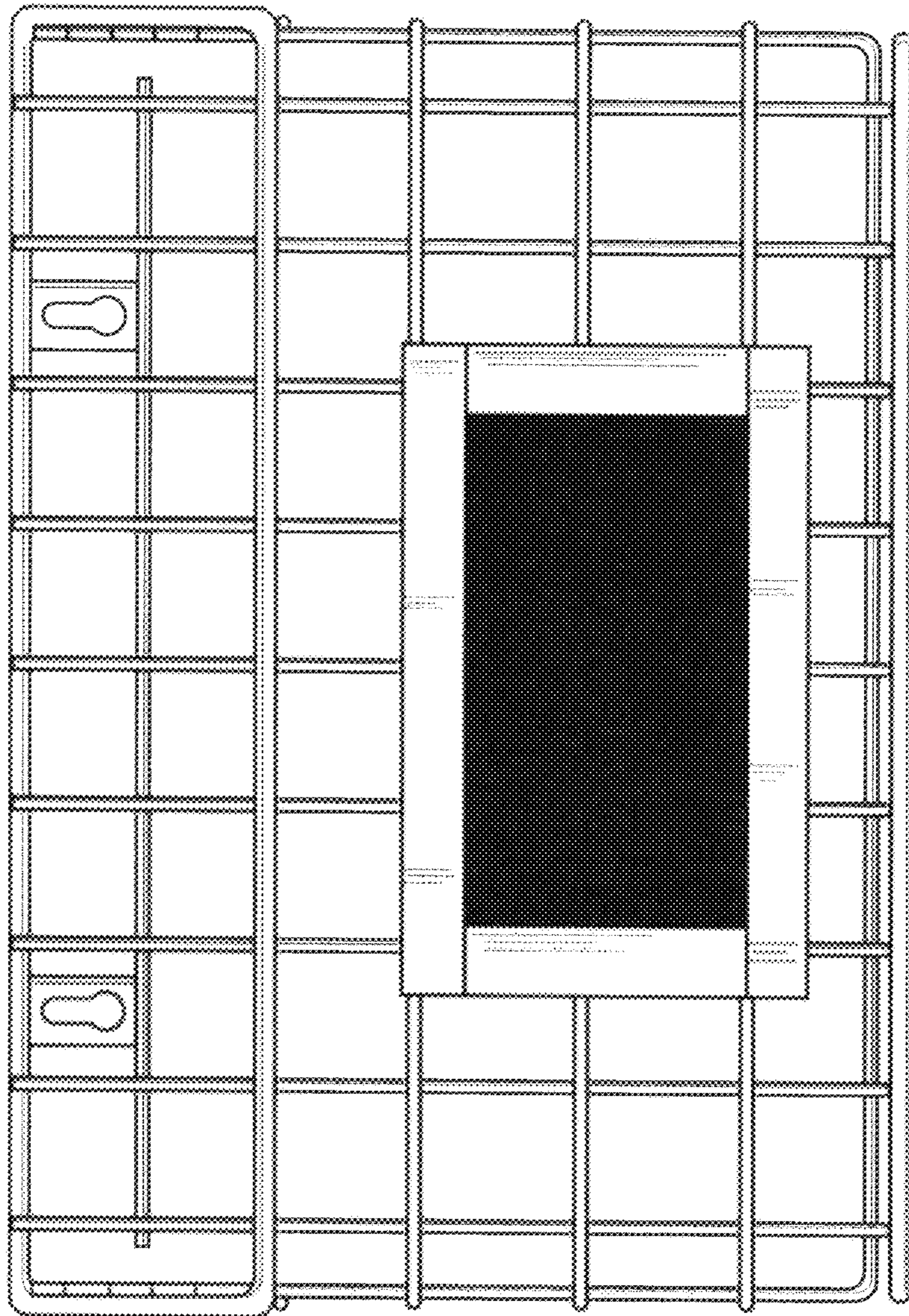


FIG. 3

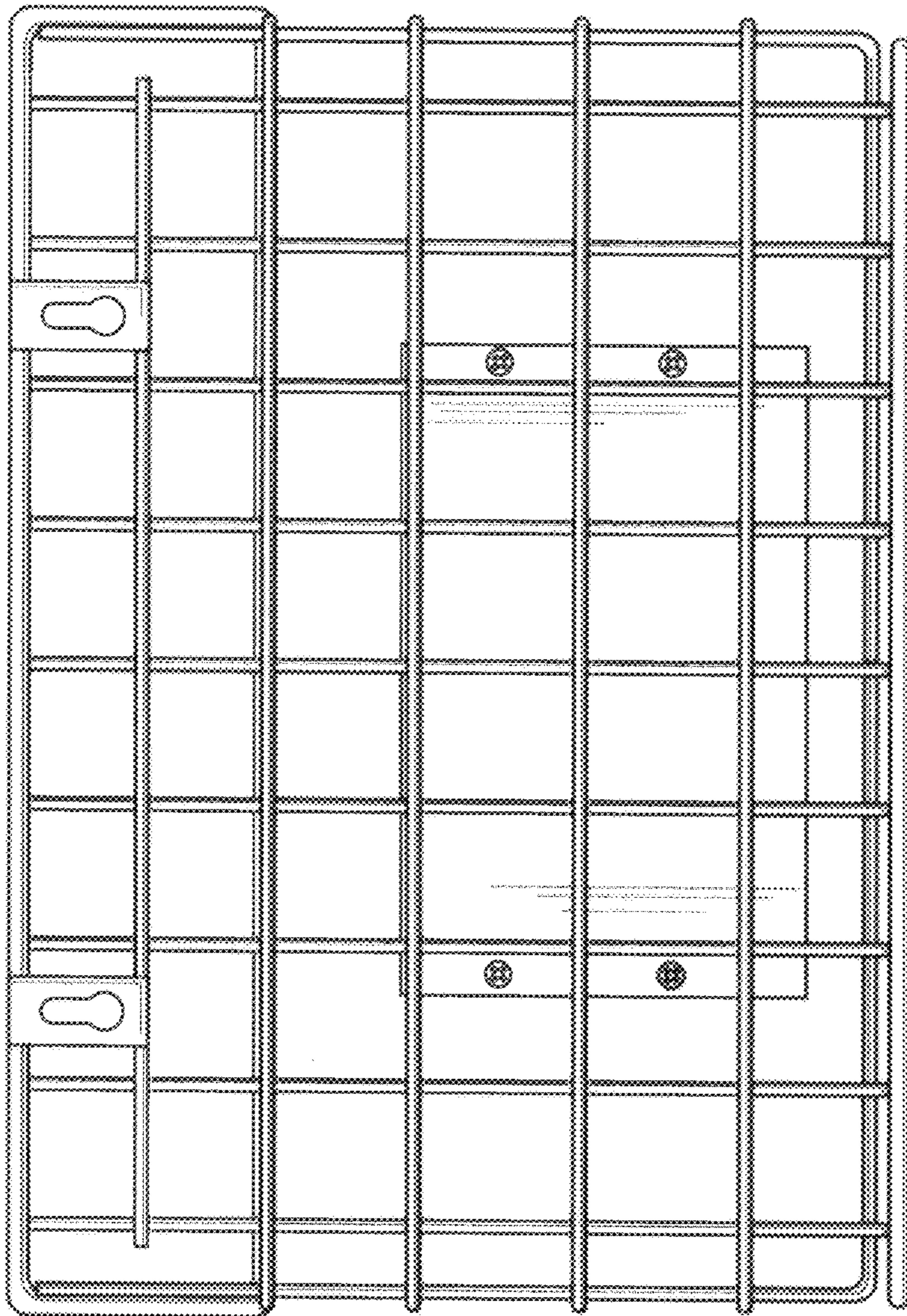


FIG. 4

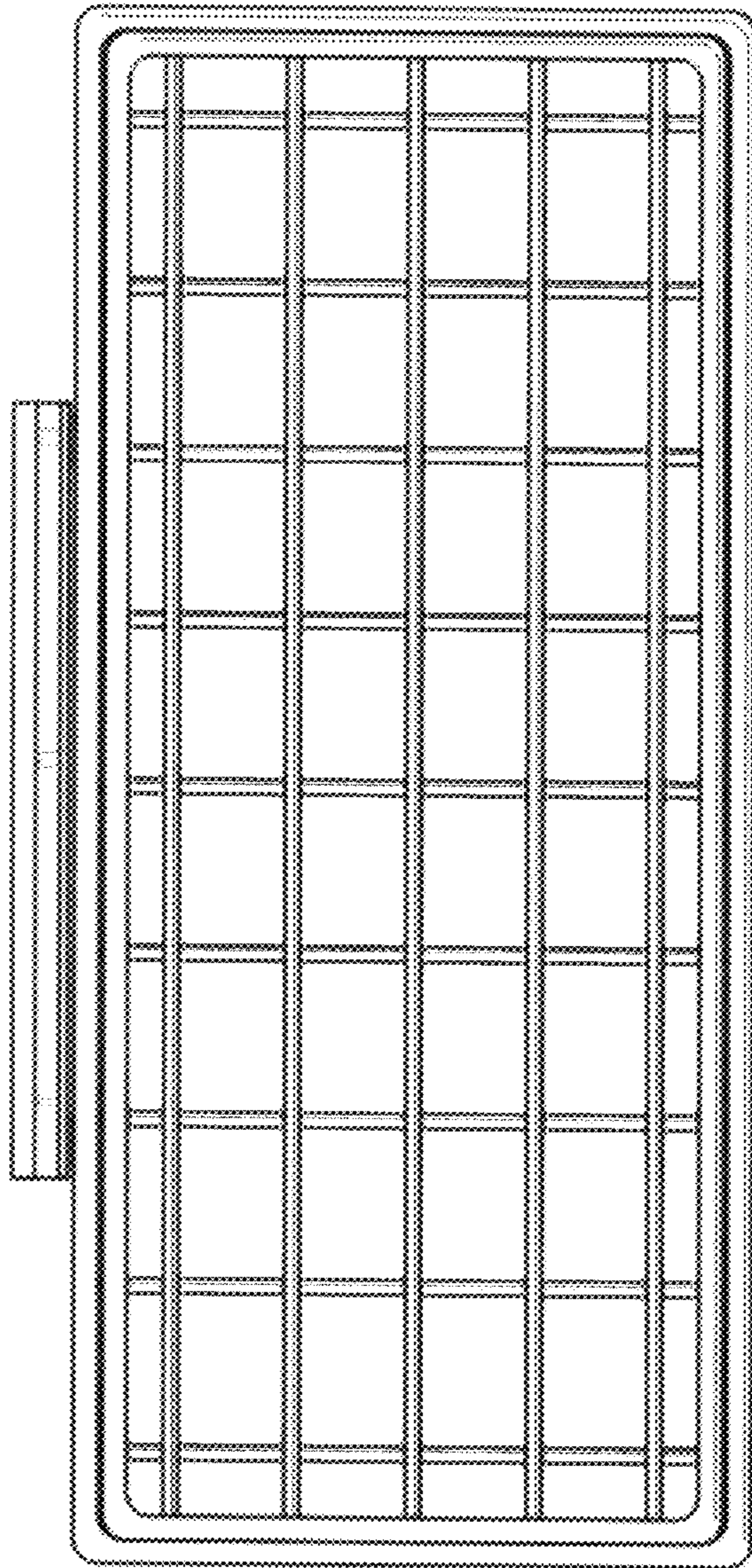


FIG. 5

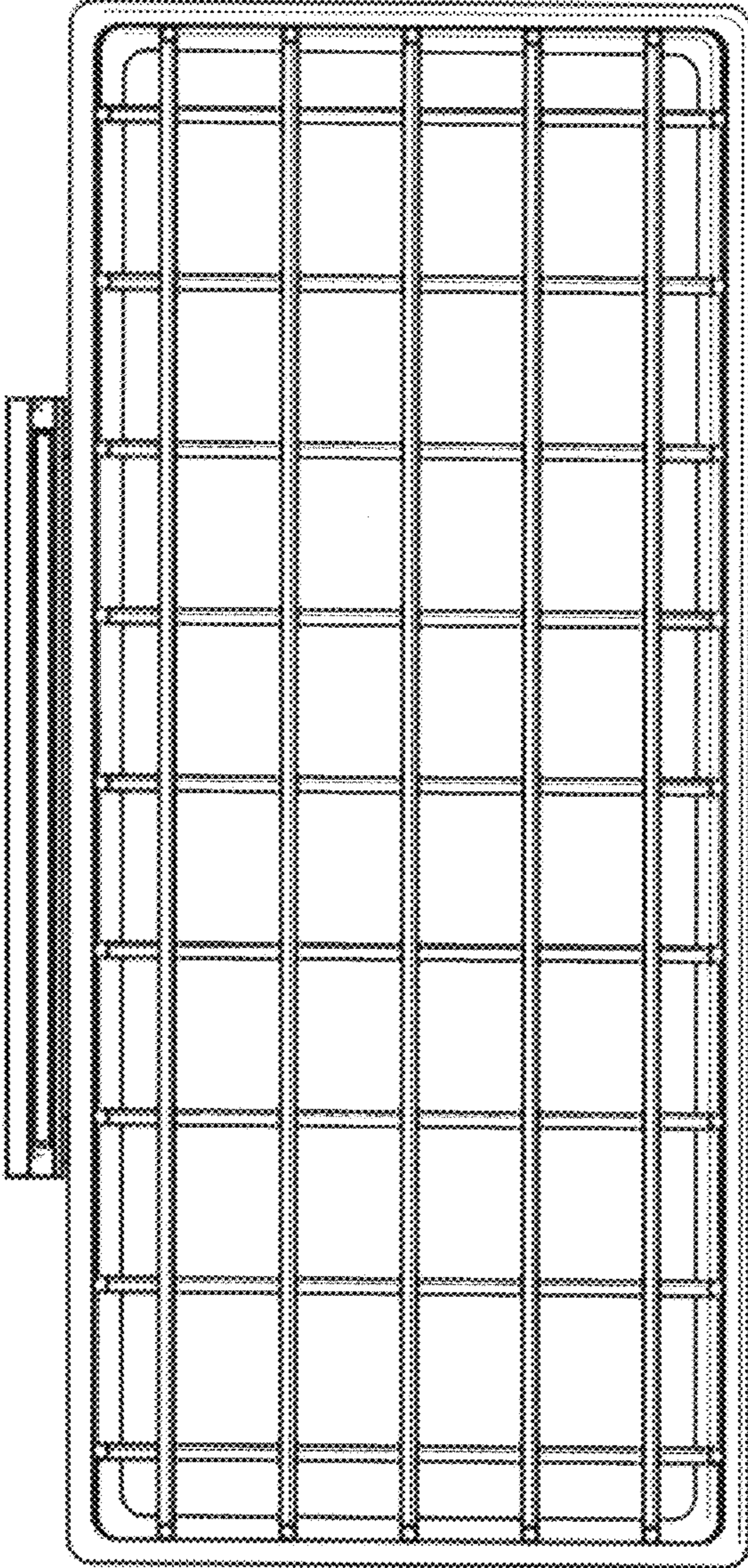


FIG. 6

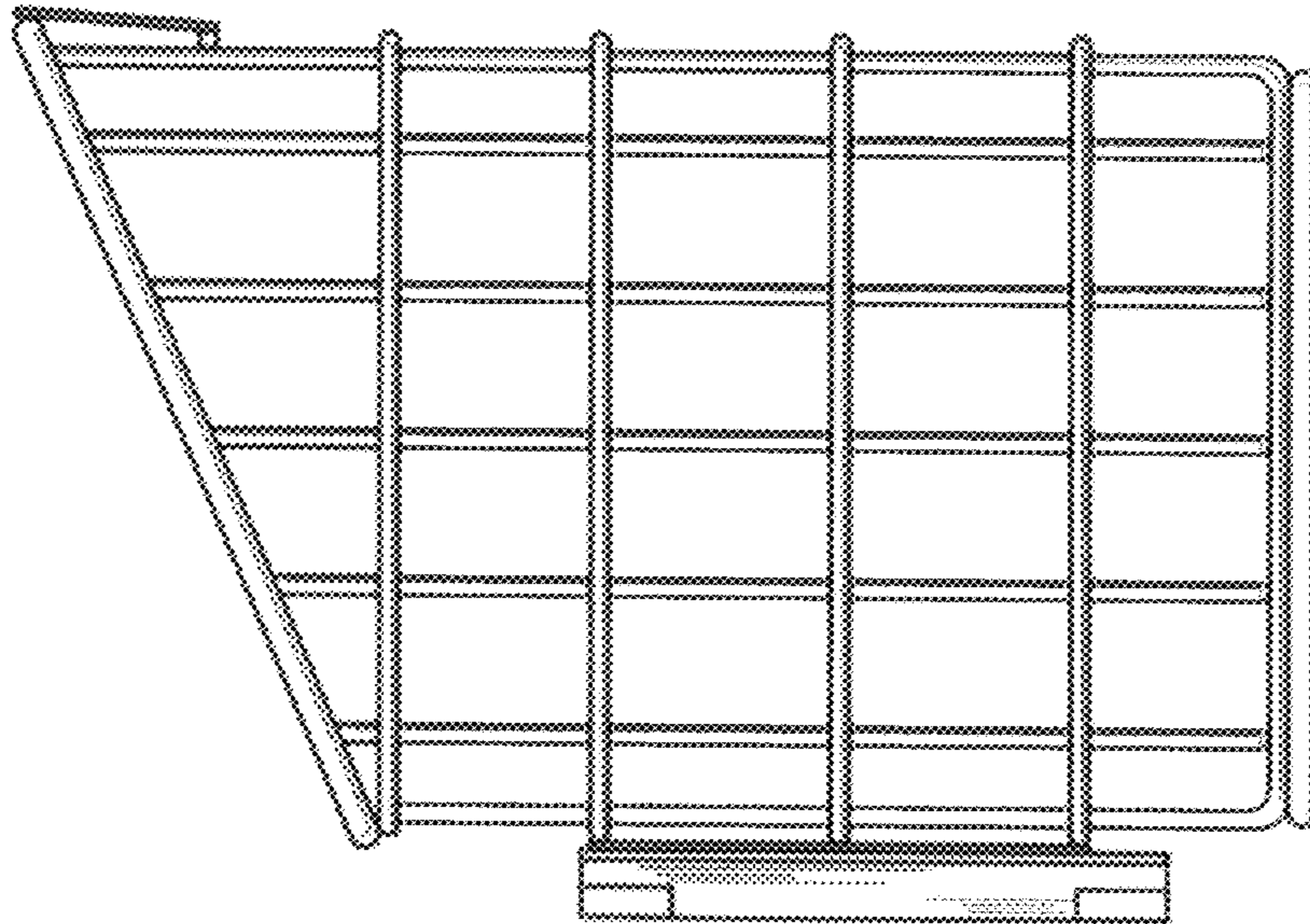


FIG. 7

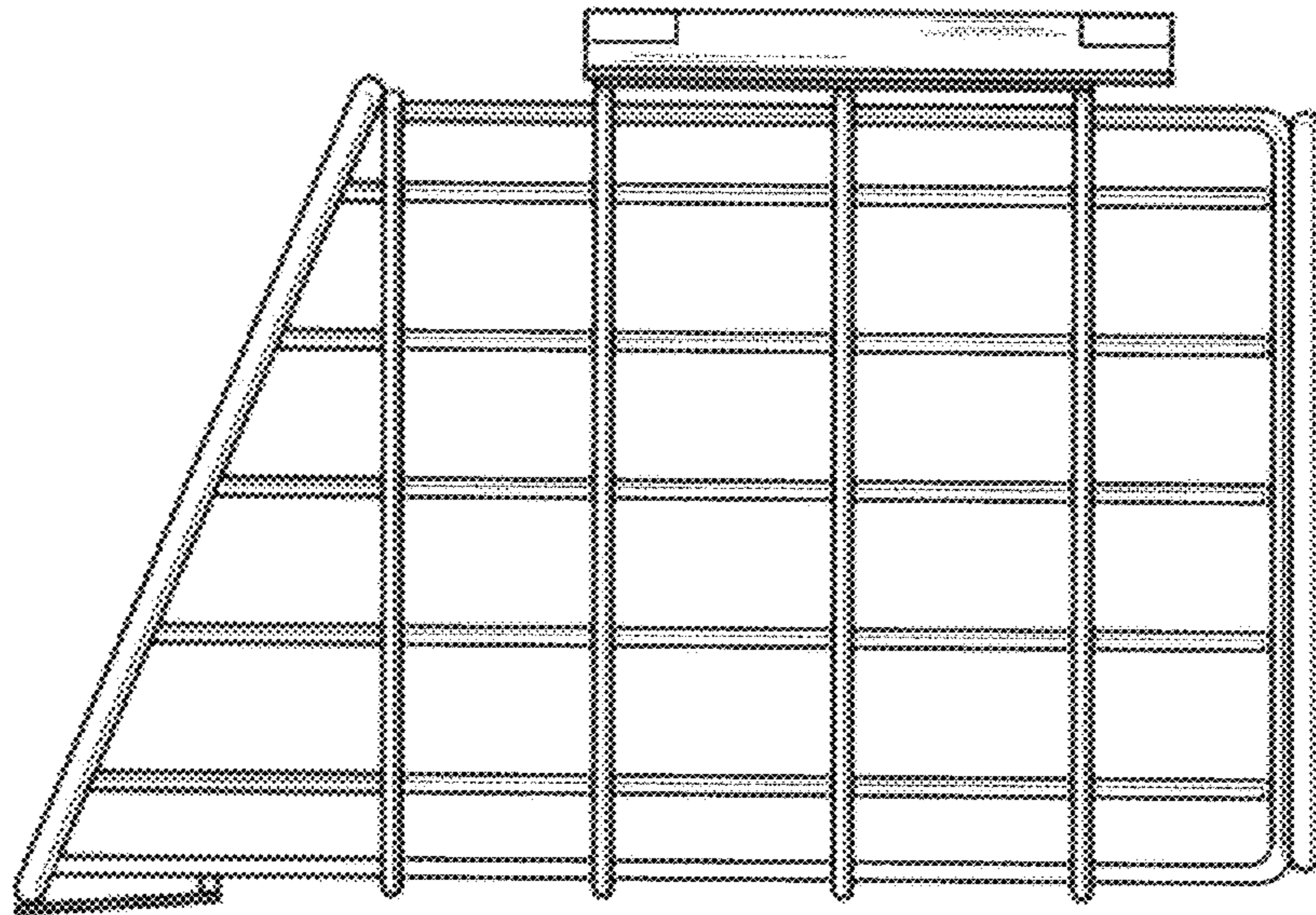


FIG. 8