



US00D906423S

(12) **United States Design Patent** (10) **Patent No.:** **US D906,423 S**
Lai (45) **Date of Patent:** **** Dec. 29, 2020**

(54) **MAIL HOLDER**
(71) Applicant: **My Gift Enterprise, LLC**,
Woodinville, WA (US)
(72) Inventor: **Sin Lai**, Woodinville, WA (US)
(**) Term: **15 Years**
(21) Appl. No.: **29/693,194**
(22) Filed: **May 31, 2019**
(51) **LOC (12) Cl.** **19-02**
(52) **U.S. Cl.**
USPC **D19/90**
(58) **Field of Classification Search**
USPC D19/75-80, 86-92; D3/304, 306, 312,
D3/313; D6/566, 568, 570, 675.2, 675.5,
D6/567; D7/600.4
CPC B42D 5/005; B42D 5/006; B43M 99/00;
B43M 99/001; B43M 99/006; B43M
99/008; B43M 99/009; A47B 63/00;
A47B 63/10; A47B 63/14; B42F 7/00;
A47F 7/142
See application file for complete search history.

4,828,120 A * 5/1989 Beil A47B 57/42
211/126.1
D328,101 S * 7/1992 Rorke D19/75
D337,016 S * 7/1993 Fortescue D19/77
D339,017 S * 9/1993 Goodman D6/567
D346,522 S * 5/1994 Engel D6/567
D370,029 S * 5/1996 Green D19/75
D377,876 S * 2/1997 Hatala D6/513
D383,633 S * 9/1997 Schweitzer D6/567
D387,981 S * 12/1997 Mosior D3/304
D390,268 S * 2/1998 Stravitz D19/75
5,987,825 A * 11/1999 Rosen G09F 15/0068
40/107
D425,893 S * 5/2000 Bassoff D14/160
D466,396 S * 12/2002 Snell D6/513
D494,760 S * 8/2004 Yuan D3/313
D532,455 S * 11/2006 Beardslee D19/113
D555,406 S * 11/2007 Burt D6/567
D601,838 S * 10/2009 Boutin D6/553
D628,407 S * 12/2010 Robbins, III D6/683

(Continued)

Primary Examiner — Elizabeth A. Albert
(74) *Attorney, Agent, or Firm* — Dean A Craine; Marisa Whitaker

(57) **CLAIM**

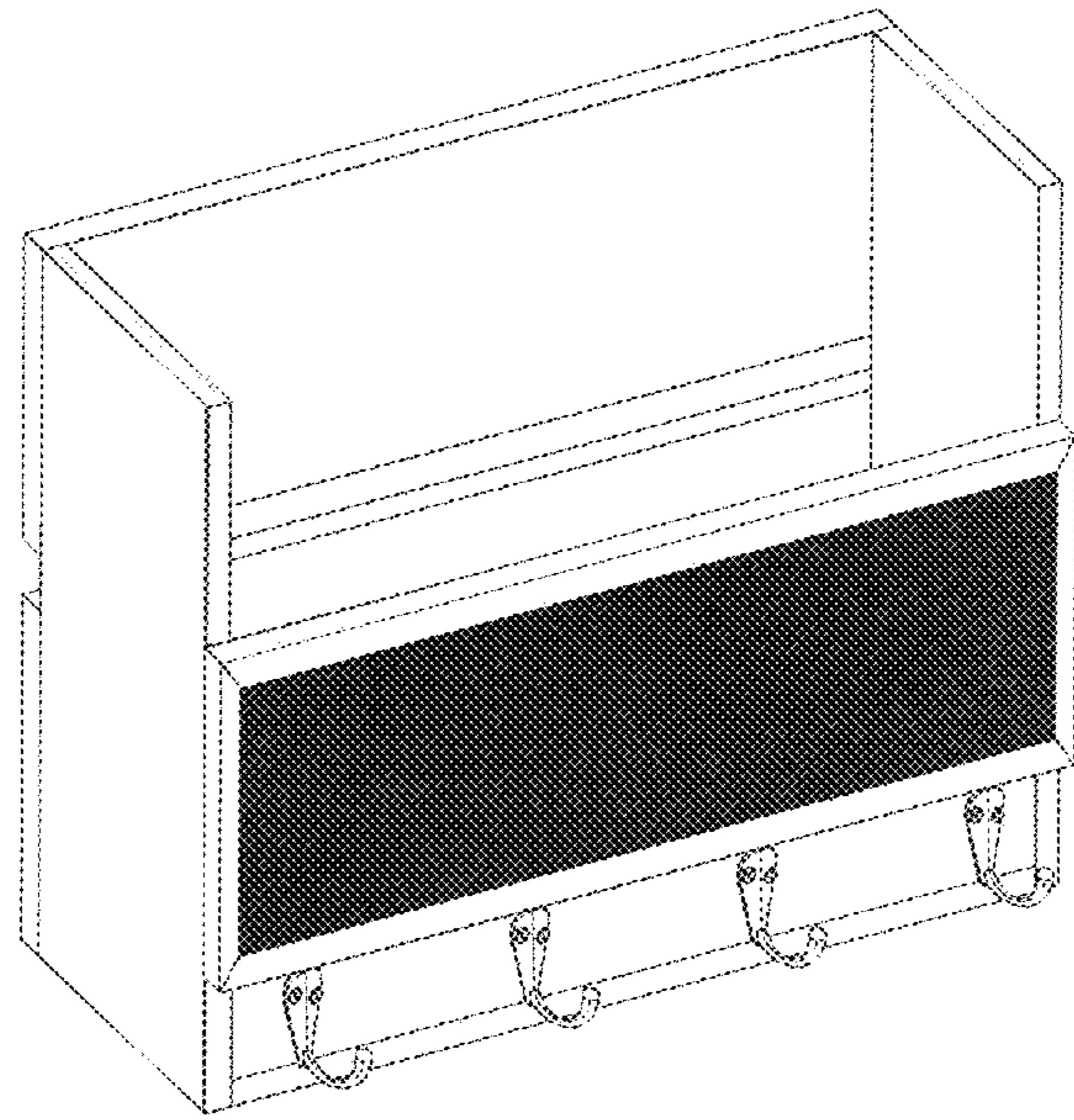
The ornamental design for a mail holder, as shown and described.

DESCRIPTION

FIG. 1 is a front perspective view of a mail holder showing my new design.
FIG. 2 is a front elevation view thereof.
FIG. 3 is a rear elevation view thereof.
FIG. 4 is a top plan view thereof.
FIG. 5 is a bottom plan view thereof.
FIG. 6 is a left elevation view of thereof.
FIG. 7 is a right elevation view thereof; and,
FIG. 8 is a sectional view thereof taken along the line 8-8 in FIG. 4.

1 Claim, 8 Drawing Sheets

(56) **References Cited**
U.S. PATENT DOCUMENTS
821,350 A * 5/1906 Ferris B44D 3/04
312/293.2
3,319,369 A * 5/1967 Severson B42F 19/00
40/654.01
D223,732 S * 5/1972 Misenko D19/76
D241,895 S * 10/1976 Forbes D6/683
D267,842 S * 2/1983 Brescia D6/570
D276,228 S * 11/1984 Bartley D14/142
D278,493 S * 4/1985 Brescia D20/42
D281,477 S * 11/1985 Neff D6/567
D286,485 S * 11/1986 Frizzell D6/573
D296,965 S * 8/1988 Yeh D6/553
D301,101 S * 5/1989 Meyer D6/553



(56)

References Cited

U.S. PATENT DOCUMENTS

D635,383	S	*	4/2011	Yang	D6/525
D688,065	S	*	8/2013	Emerson	D6/567
D710,443	S	*	8/2014	Stravitz	D19/90
D724,860	S	*	3/2015	Tsai	D6/514
D839,023	S	*	1/2019	Zicanovic	D6/553
D869,556	S	*	12/2019	Lai	D19/90
D871,070	S	*	12/2019	Bakker	D3/304
D875,832	S	*	2/2020	Chiang	D19/113

* cited by examiner

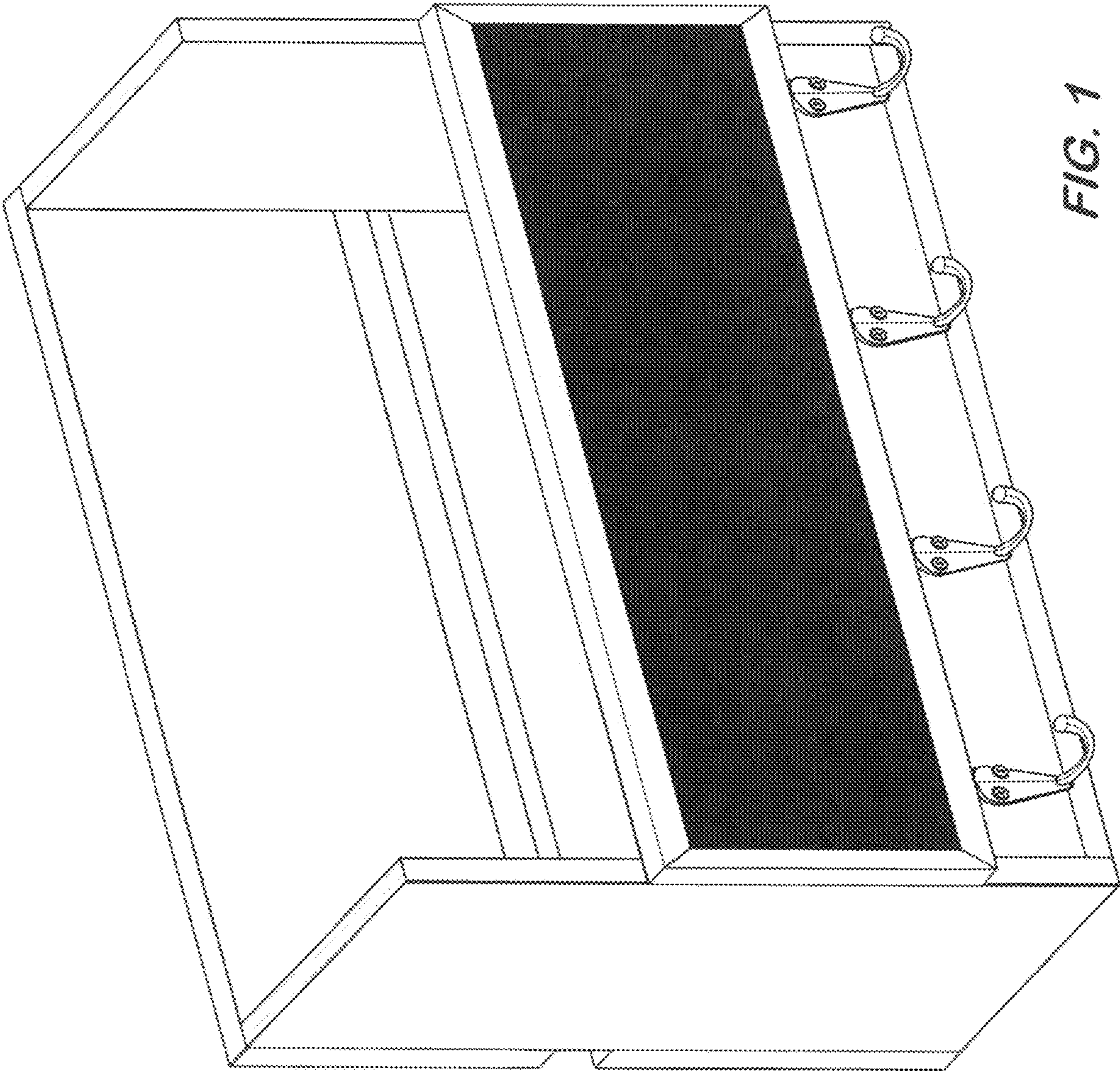


FIG. 1

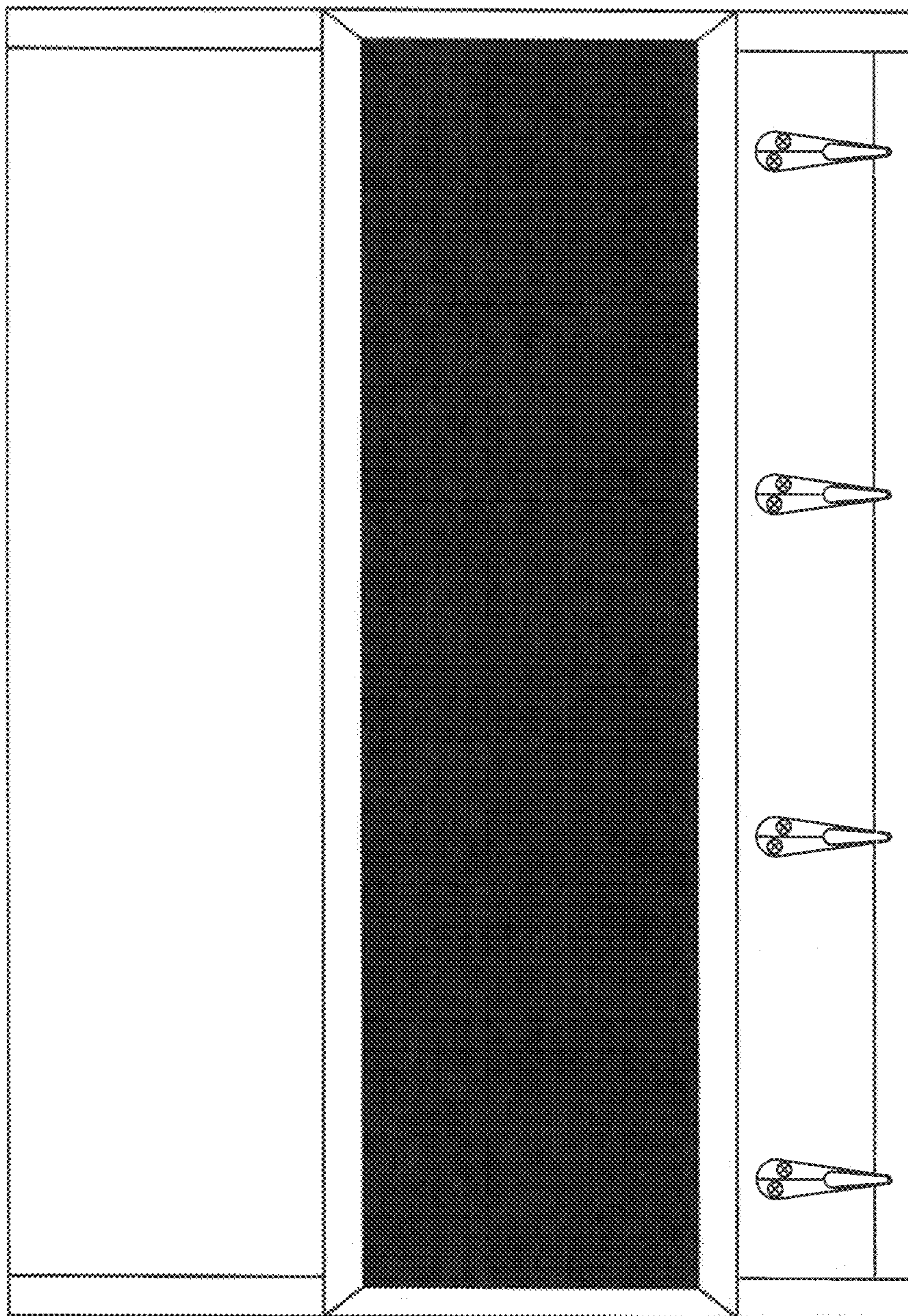


FIG. 2

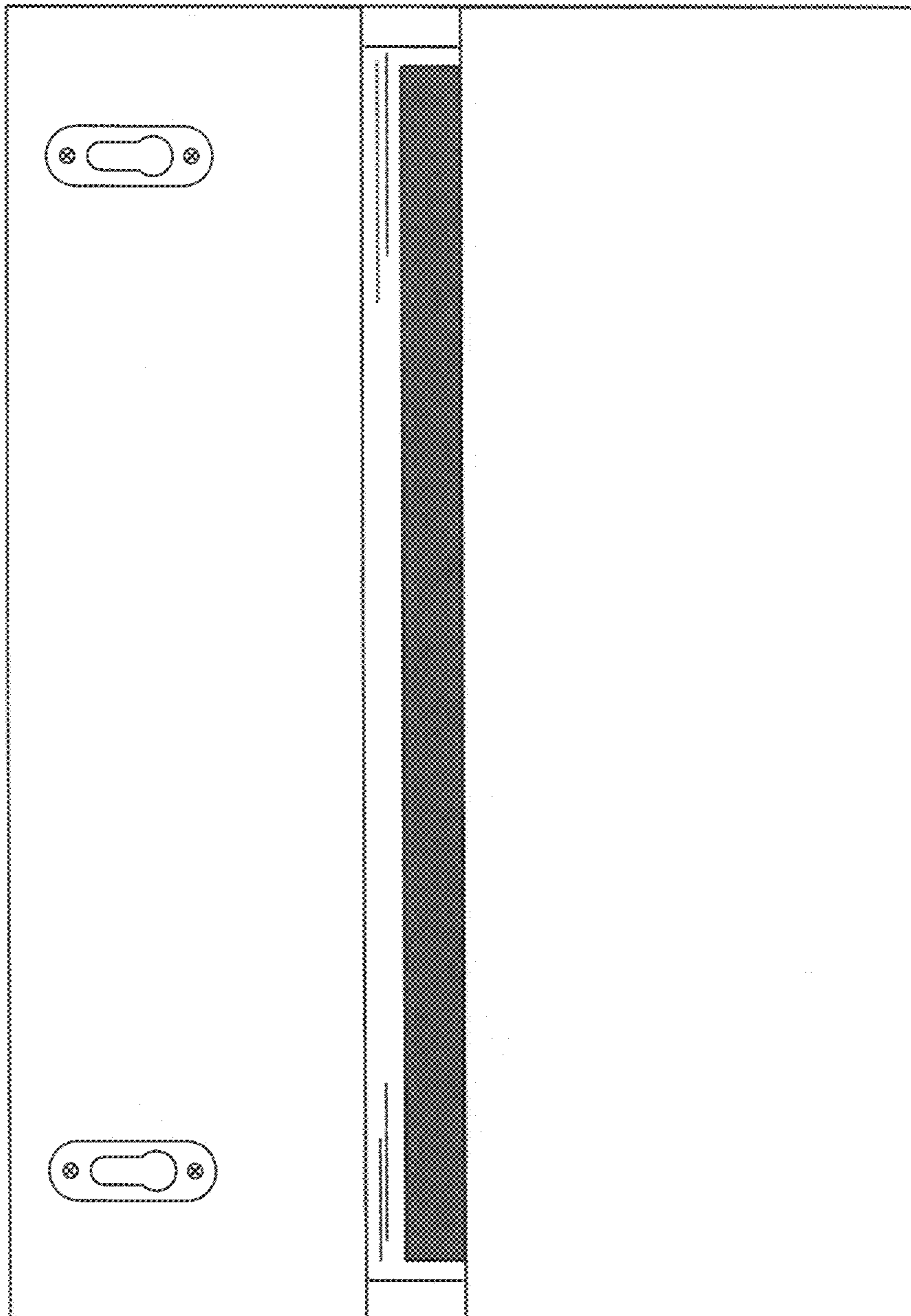
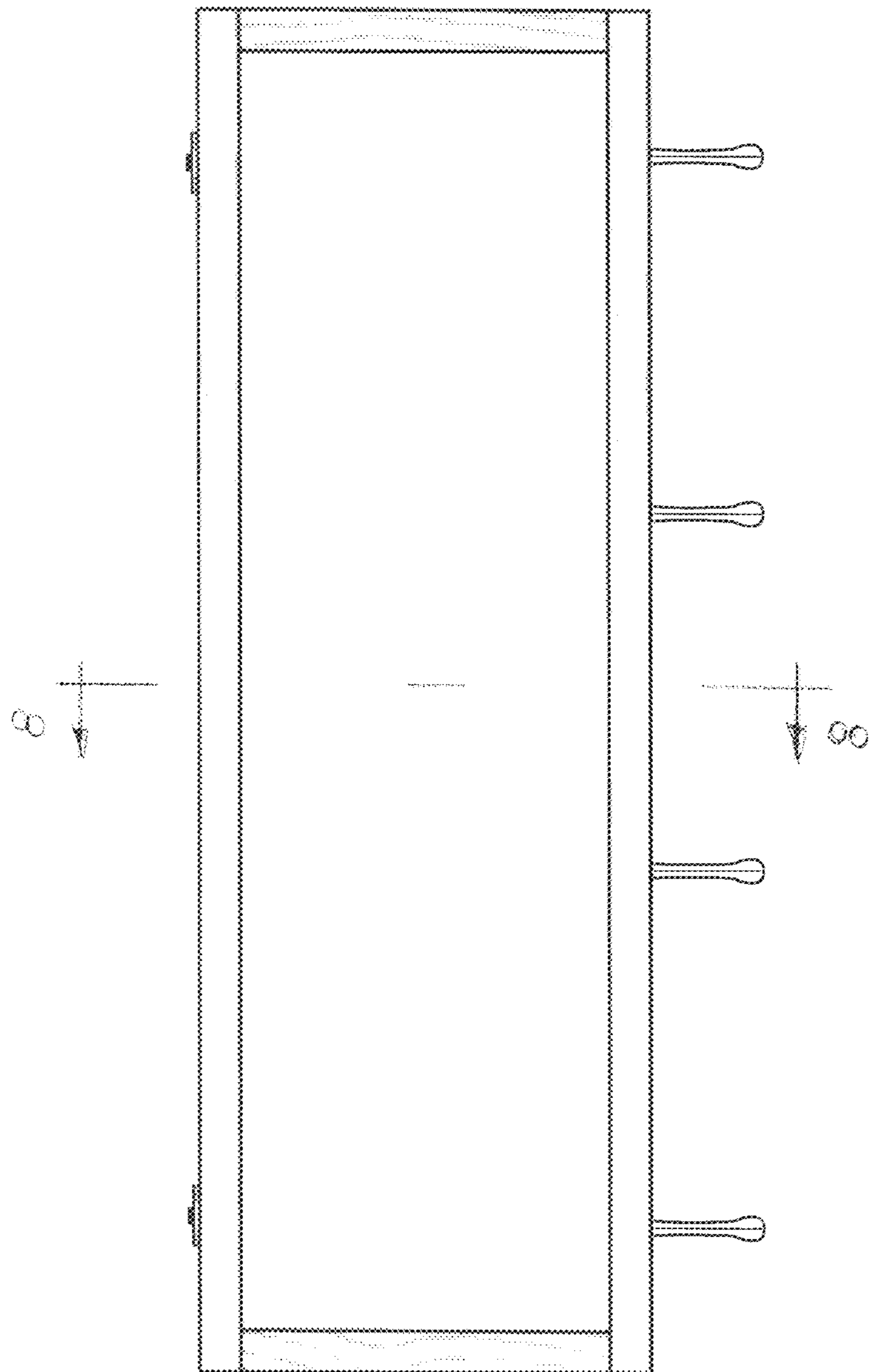


FIG. 3



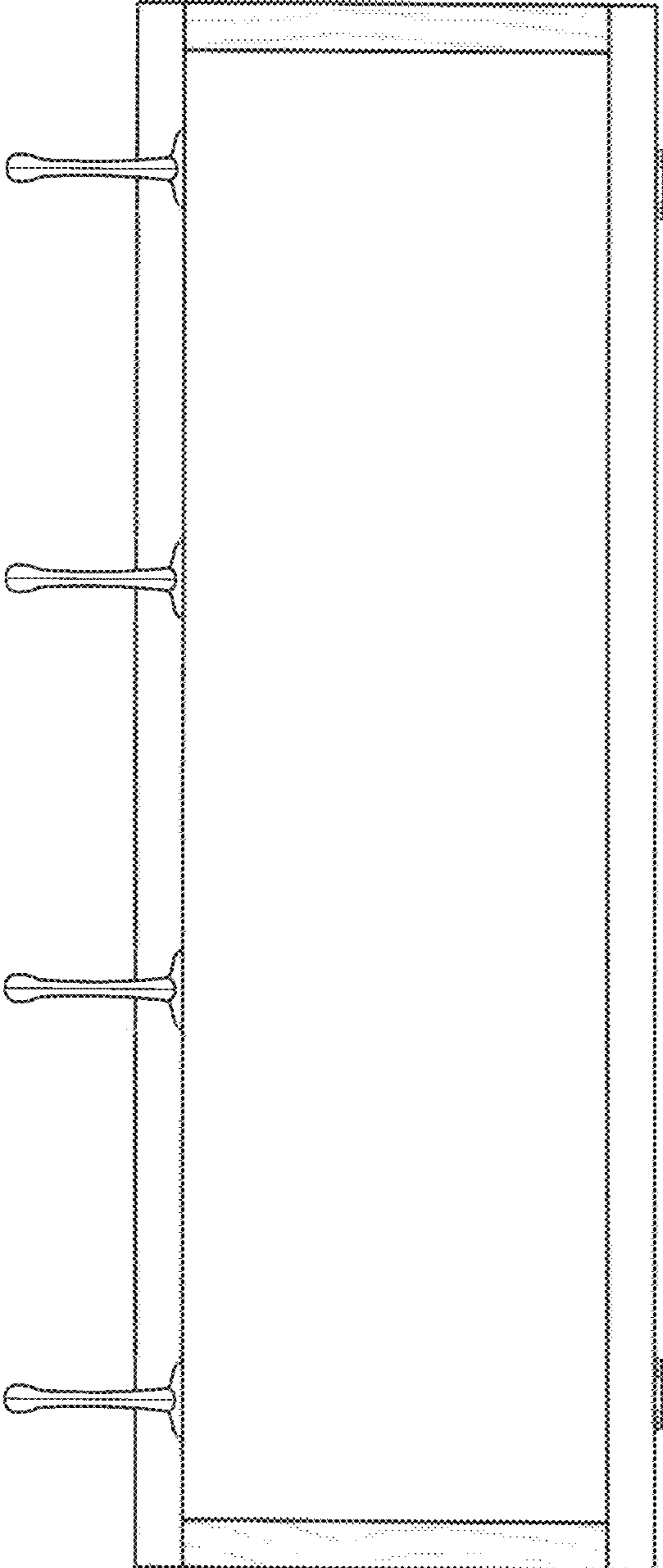


FIG. 5

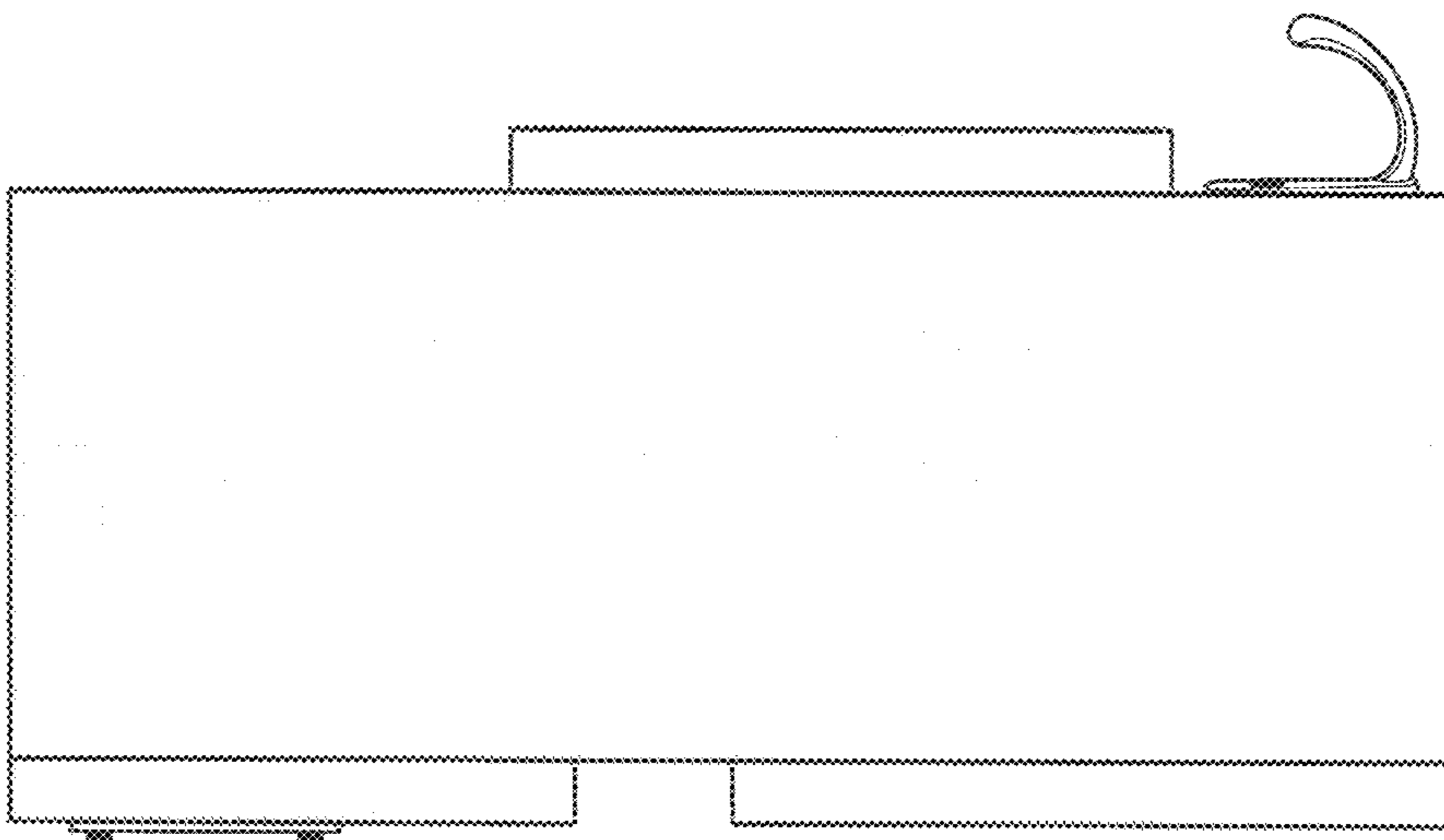


FIG. 6

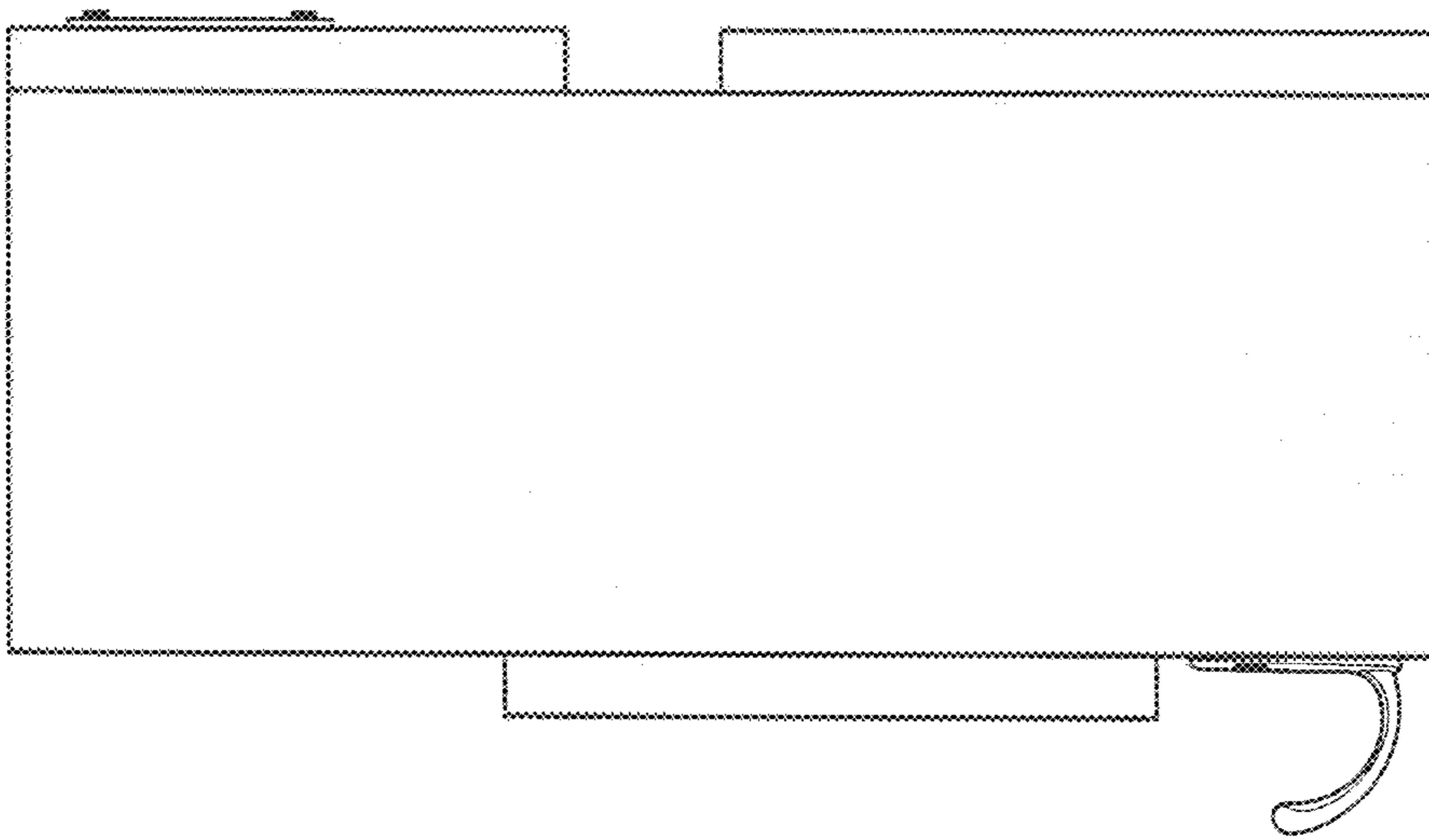


FIG. 7

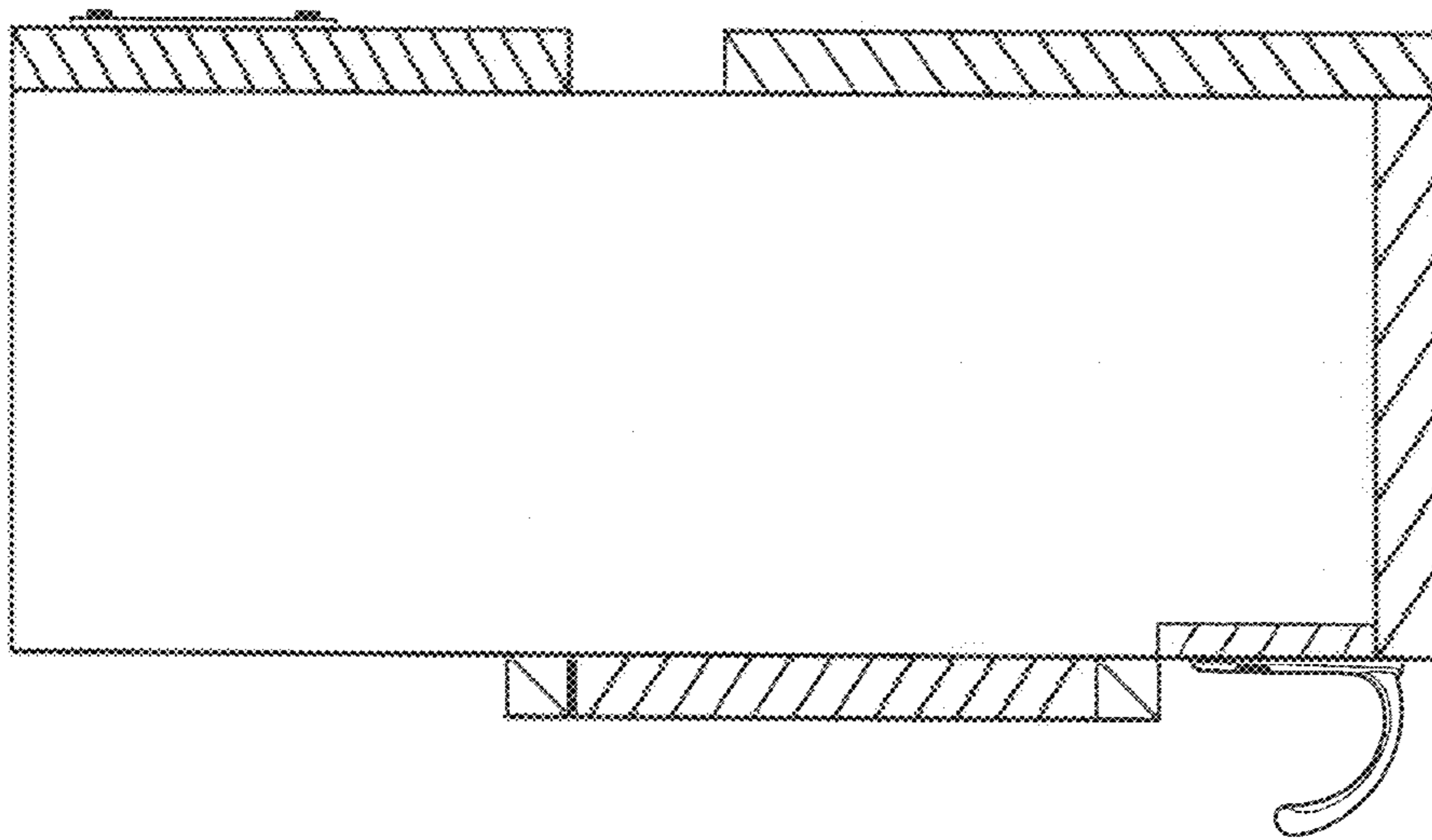


FIG. 8