



US00D906421S

(12) **United States Design Patent**
Hornung

(10) **Patent No.:** **US D906,421 S**
(45) **Date of Patent:** **** Dec. 29, 2020**

(54) **PEN HOLDER**
(71) Applicant: **Wacom Co., Ltd.**, Kazo (JP)
(72) Inventor: **Thilo Naoki Hornung**, Toyko (JP)
(73) Assignee: **Wacom Co., Ltd.**, Kazo (JP)
(**) Term: **15 Years**

(21) Appl. No.: **29/671,786**
(22) Filed: **Nov. 29, 2018**

(30) **Foreign Application Priority Data**

May 30, 2018 (JP) 2018-011821
(51) **LOC (12) Cl.** **19-06**
(52) **U.S. Cl.**
USPC **D19/81**
(58) **Field of Classification Search**
USPC D19/75-92, 99, 135; D3/206, 304, 306,
D3/310, 315; D6/675.5, 683, 683.1;
D7/631, 637-641; D9/427, 432, 611;
D14/253
CPC .. B43M 99/00; B43M 99/001; B43M 99/003;
B43M 99/006; B43M 99/007; B43M
99/008; B43M 99/009; B42D 3/12; B42D
3/16; B42D 3/18; B43K 23/001; B43K
23/002; A47B 55/00; A47B 63/00
See application file for complete search history.

(56) **References Cited**

U.S. PATENT DOCUMENTS

604,026 A * 5/1898 Dierks B43K 23/001
24/12
637,889 A * 11/1899 Parker et al. B42D 3/12
281/30
1,226,992 A * 5/1917 Paulus F16B 21/183
24/1

1,346,393 A * 7/1920 Woodhouse B43K 23/001
281/30
1,475,782 A * 11/1923 Beach A44C 1/00
40/1.5
1,650,070 A * 11/1927 Hansman A63B 55/408
40/651

(Continued)

FOREIGN PATENT DOCUMENTS

JP D1334428 S 6/2008
JP D1390159 S 6/2010

(Continued)

Primary Examiner — Elizabeth A. Albert

(74) *Attorney, Agent, or Firm* — Christensen O'Connor
Johnson Kindness PLLC

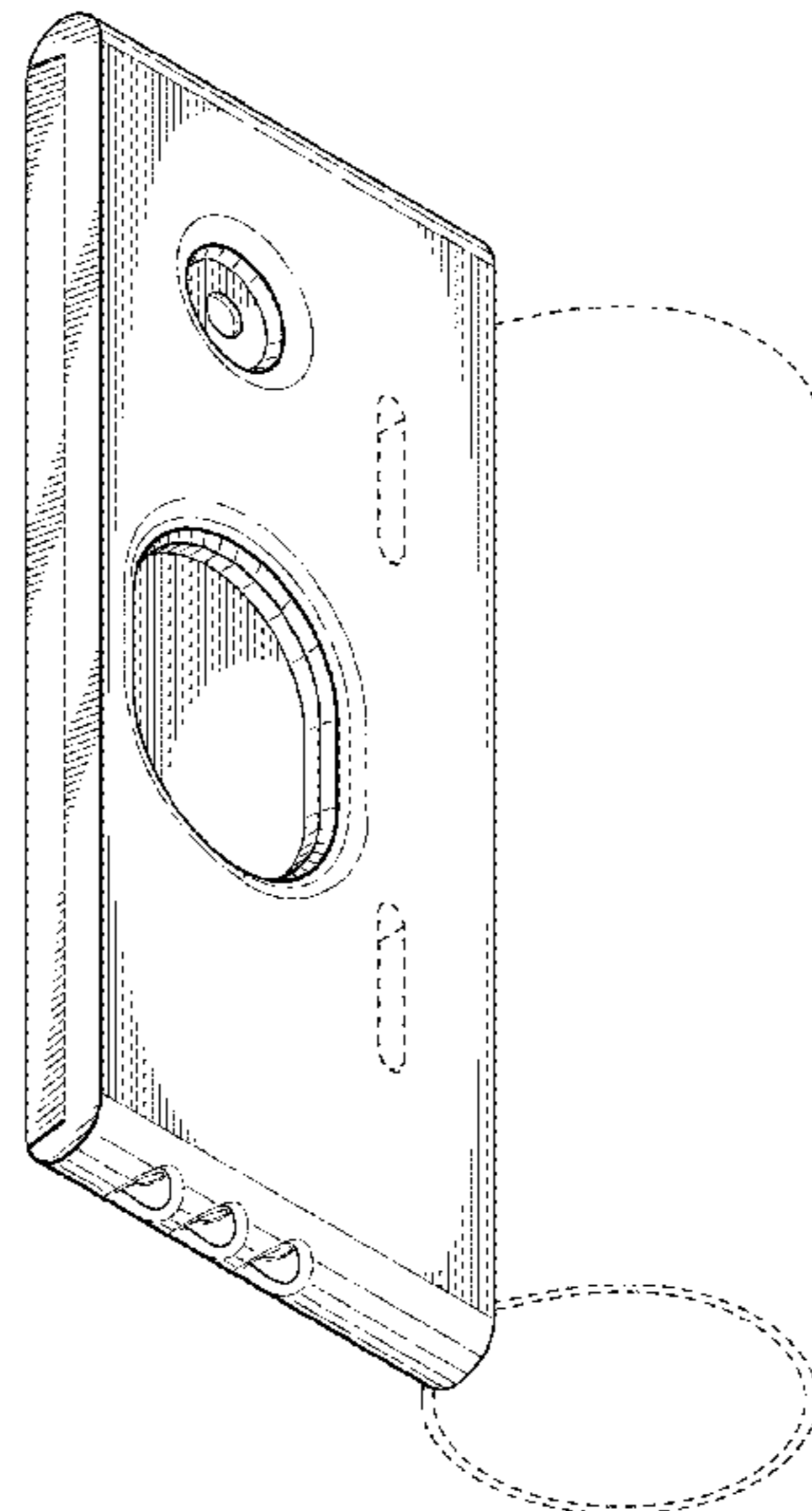
(57) **CLAIM**

The ornamental design for a pen holder, as shown and
described.

DESCRIPTION

FIG. 1 is a front bottom right isometric view of a pen holder
according to my new design;
FIG. 2 is a rear top left isometric view of the pen holder of
FIG. 1;
FIG. 3 is a right side elevation view of the pen holder of FIG.
1;
FIG. 4 is a left side elevation view of the pen holder of FIG.
1;
FIG. 5 is a front plan view of the pen holder of FIG. 1;
FIG. 6 is a rear plan view of the pen holder of FIG. 1;
FIG. 7 is a top view of the pen holder of FIG. 1;
FIG. 8 is a bottom view of the pen holder of FIG. 1;
FIG. 9 is an environmental view of the pen holder of FIG.
1, shown with a pen and a coordinate input device; and,
FIG. 10 is a right side elevation view of the pen holder of
FIG. 1, showing a plurality of pen nibs disposed therein.
The broken lines show portions of the pen holder which
form no part of the claimed design.

1 Claim, 5 Drawing Sheets



(56)

References Cited

U.S. PATENT DOCUMENTS

2,300,216 A * 10/1942 Grodsky B42D 9/005
116/237
D142,775 S * 11/1945 Di Rebaylio D19/78
D165,156 S * 11/1951 Kandarian D19/83
2,802,250 A * 8/1957 Klotz A63B 55/408
24/457
D201,479 S * 6/1965 Green D19/84
3,263,948 A * 8/1966 Conrad F16C 1/262
248/74.3
3,430,300 A * 3/1969 Doan A61M 25/02
24/304
D228,239 S * 8/1973 Bryce D19/83
4,173,358 A * 11/1979 Wilson B42F 9/001
281/45
4,199,884 A * 4/1980 Loof G09F 3/04
40/316
4,449,310 A * 5/1984 Kline A63B 71/0672
206/315.3
4,875,707 A * 10/1989 Krom B42D 3/12
281/30
4,970,760 A * 11/1990 Hawkins, Jr. F16B 2/06
224/918
4,984,529 A * 1/1991 Dickson B42D 9/007
116/234
5,050,830 A * 9/1991 Hall A63B 57/00
248/205.2
D321,913 S * 11/1991 Wolff D20/22
D325,400 S * 4/1992 Wolff D20/22

D361,782 S * 8/1995 Chung D19/26
5,477,619 A * 12/1995 Kearns G01B 3/1084
33/668
5,572,941 A * 11/1996 Arnos A47B 21/0371
112/475.06
5,813,786 A * 9/1998 Fraenkel B43K 23/001
24/10 R
D407,453 S * 3/1999 Rashman D20/27
D408,855 S * 4/1999 Ho D19/83
D419,192 S 1/2000 Huang
D421,773 S * 3/2000 Yashar D20/42
D479,477 S * 9/2003 Pereczon D10/74
D486,523 S 2/2004 Lederer et al.
7,270,308 B1 * 9/2007 Mohr B43K 23/02
248/309.1
D573,652 S 7/2008 Esfahani
D603,904 S 11/2009 Esfahani
D620,981 S * 8/2010 Sturken D19/81
D723,036 S 2/2015 Longo et al.
D811,409 S * 2/2018 Zhong D14/432
D823,942 S * 7/2018 Frankel D19/81
2002/0036253 A1 * 3/2002 Lake B43K 23/002
248/205.3
2005/0274641 A1 * 12/2005 Baranoff B65D 73/0064
206/461

FOREIGN PATENT DOCUMENTS

JP D1412724 S 5/2011
JP D1482229 S 10/2013

* cited by examiner

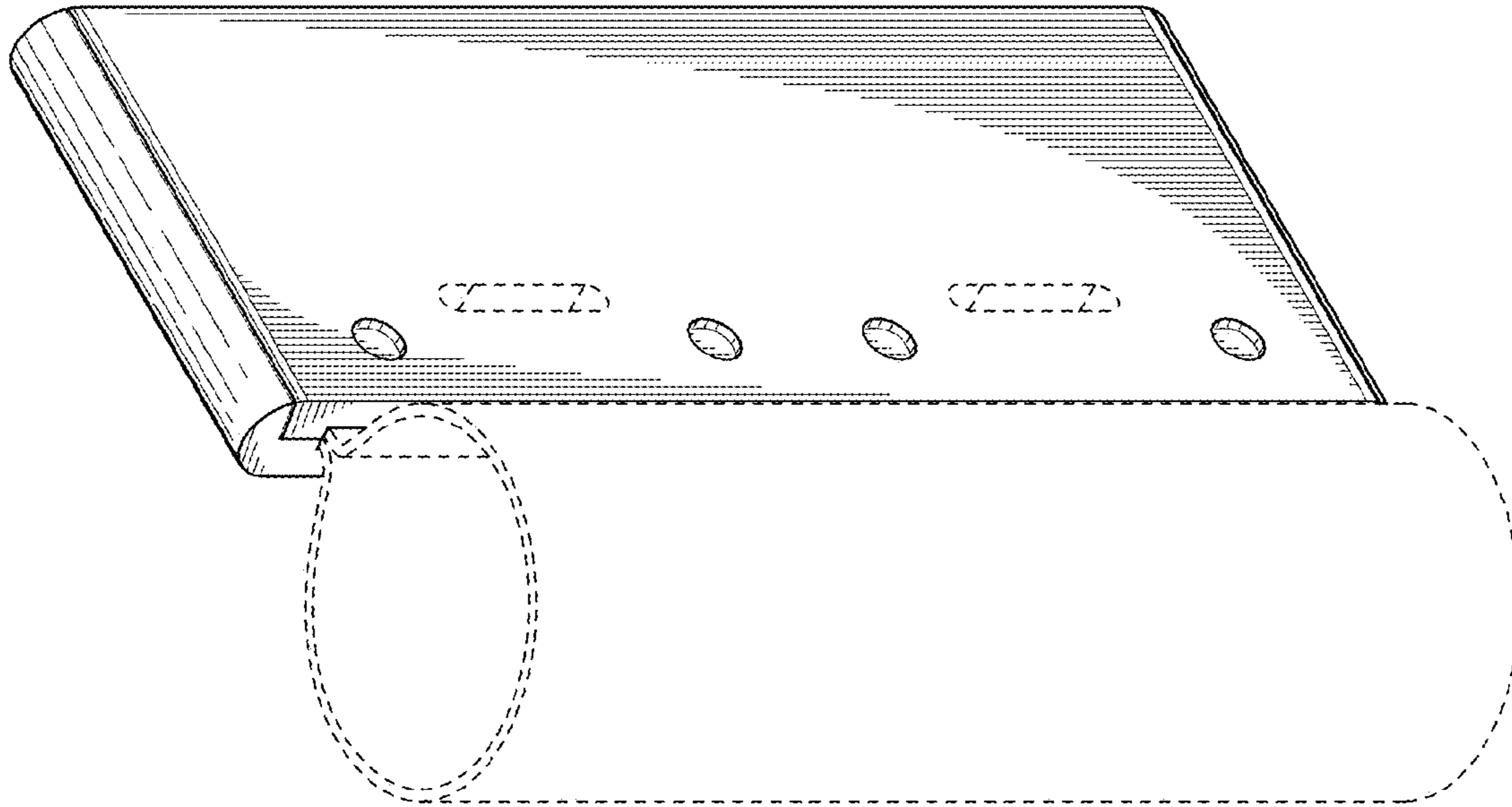


FIG. 2

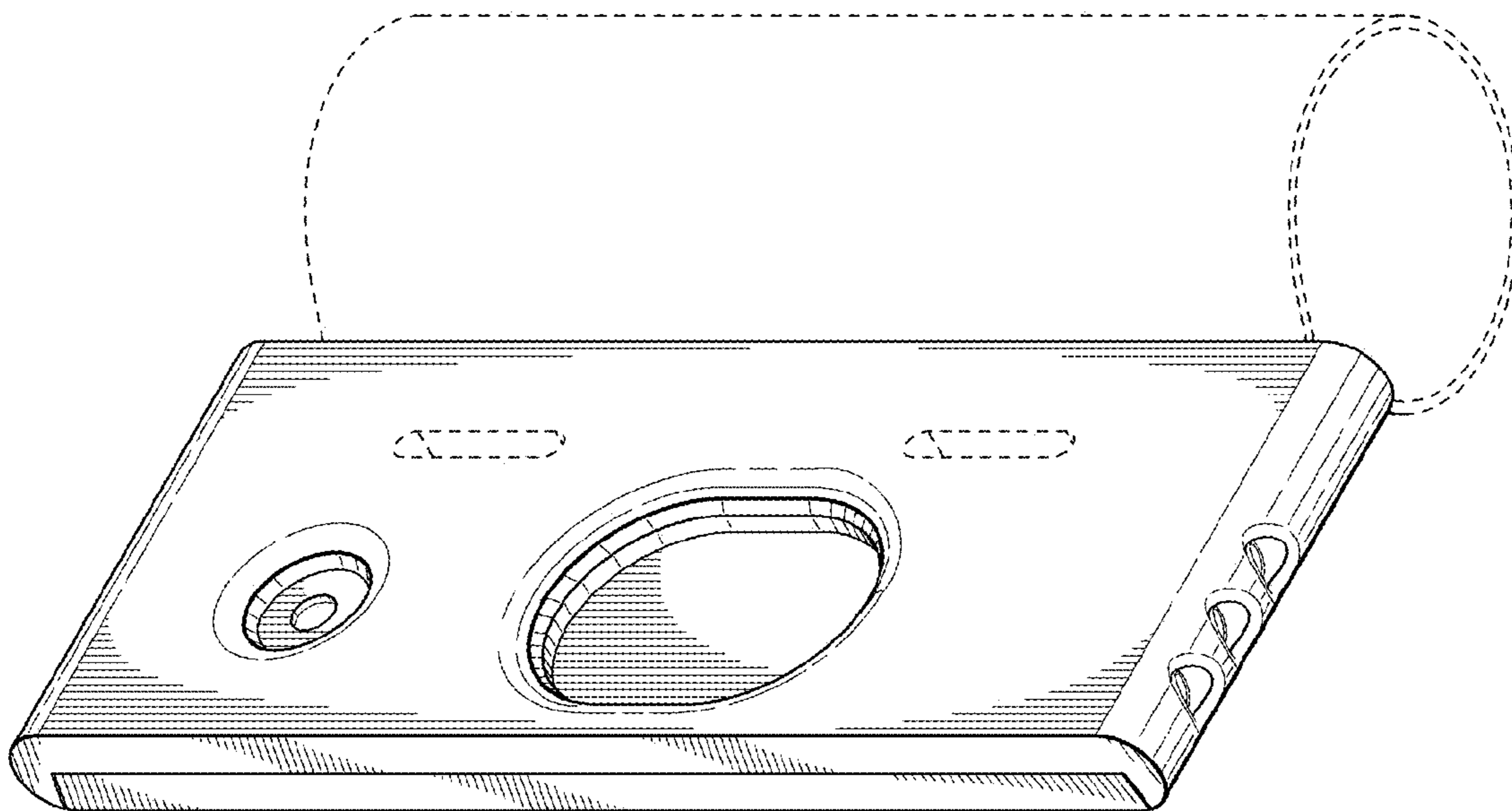


FIG. 1

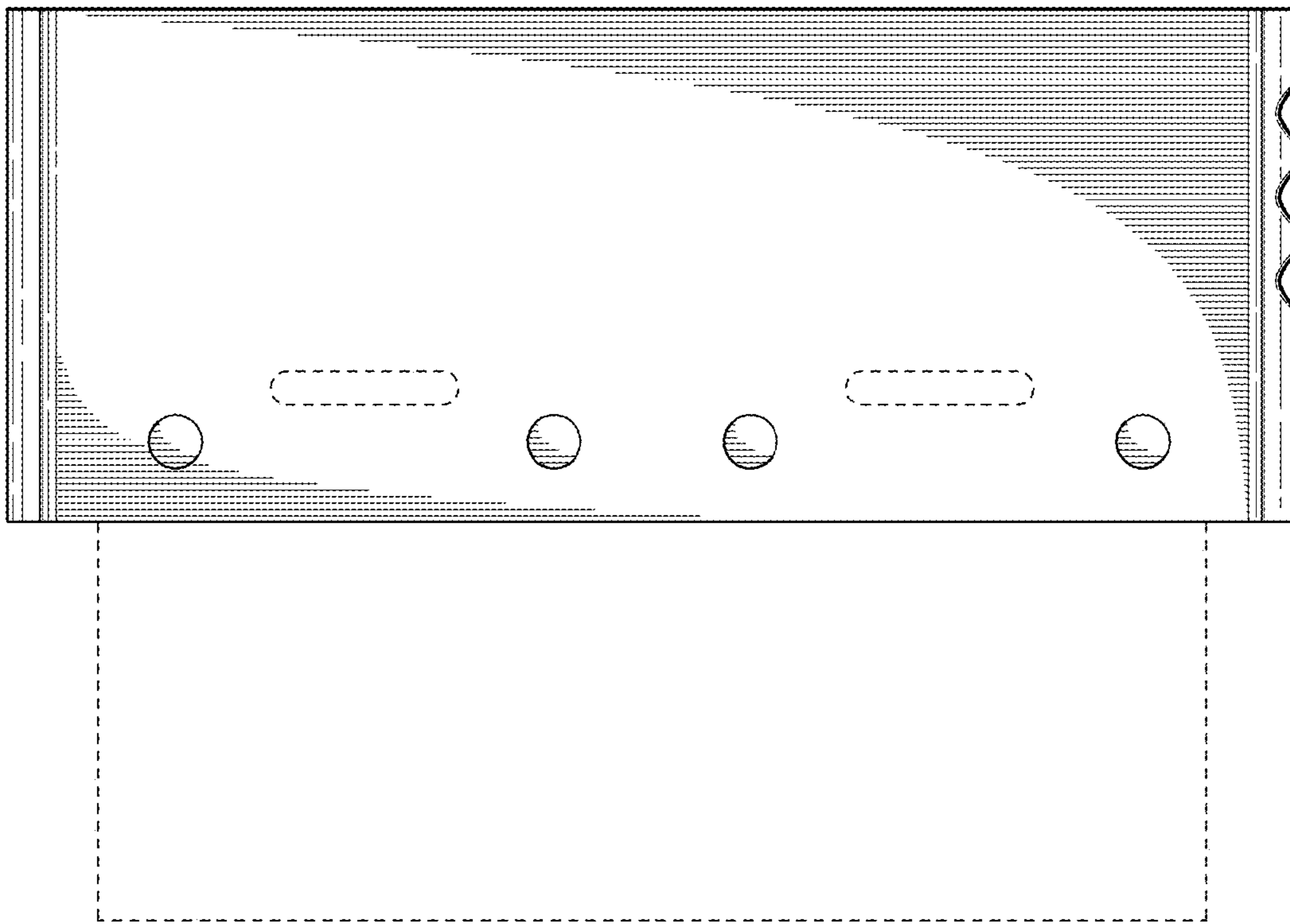


FIG. 4

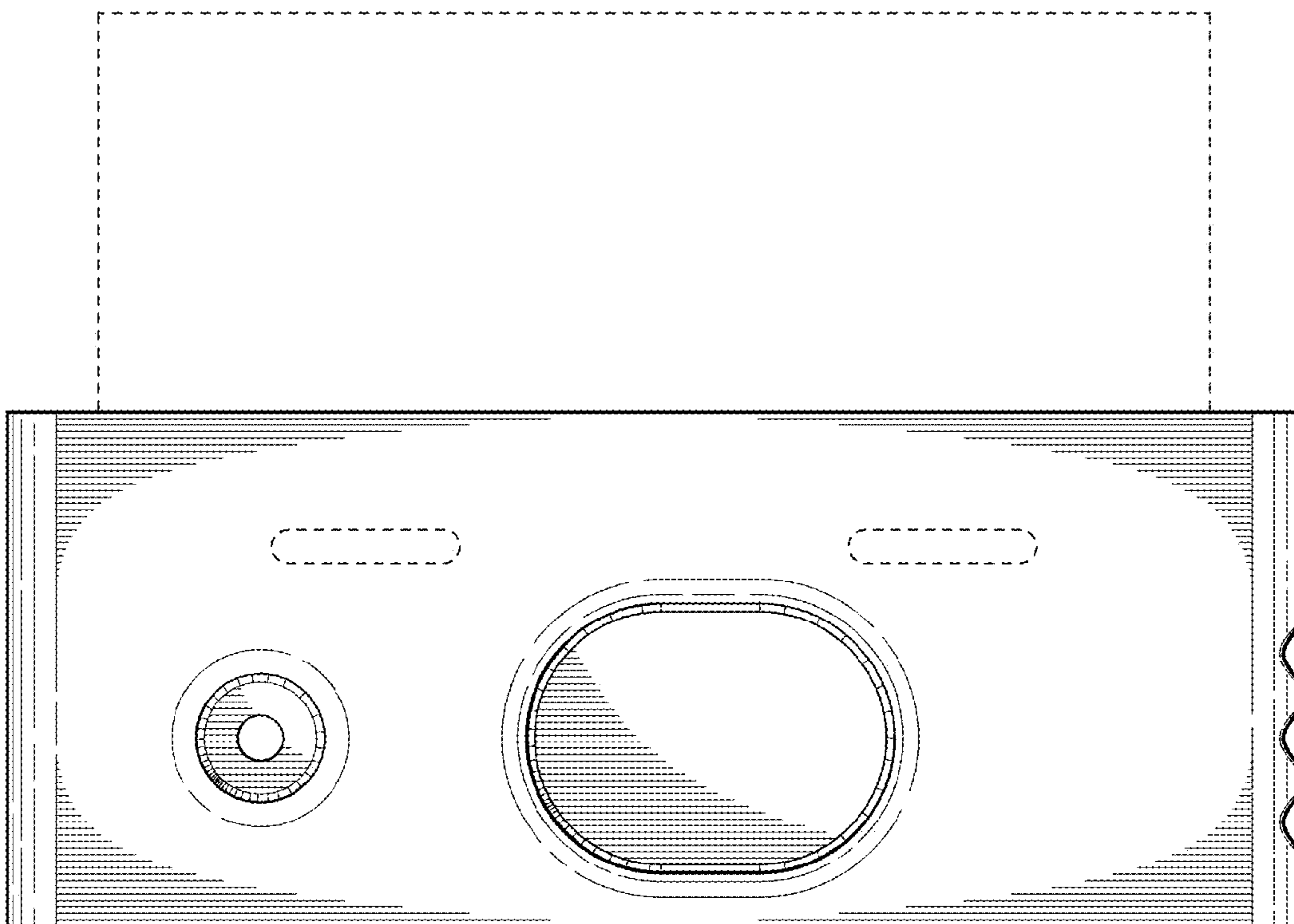


FIG. 3

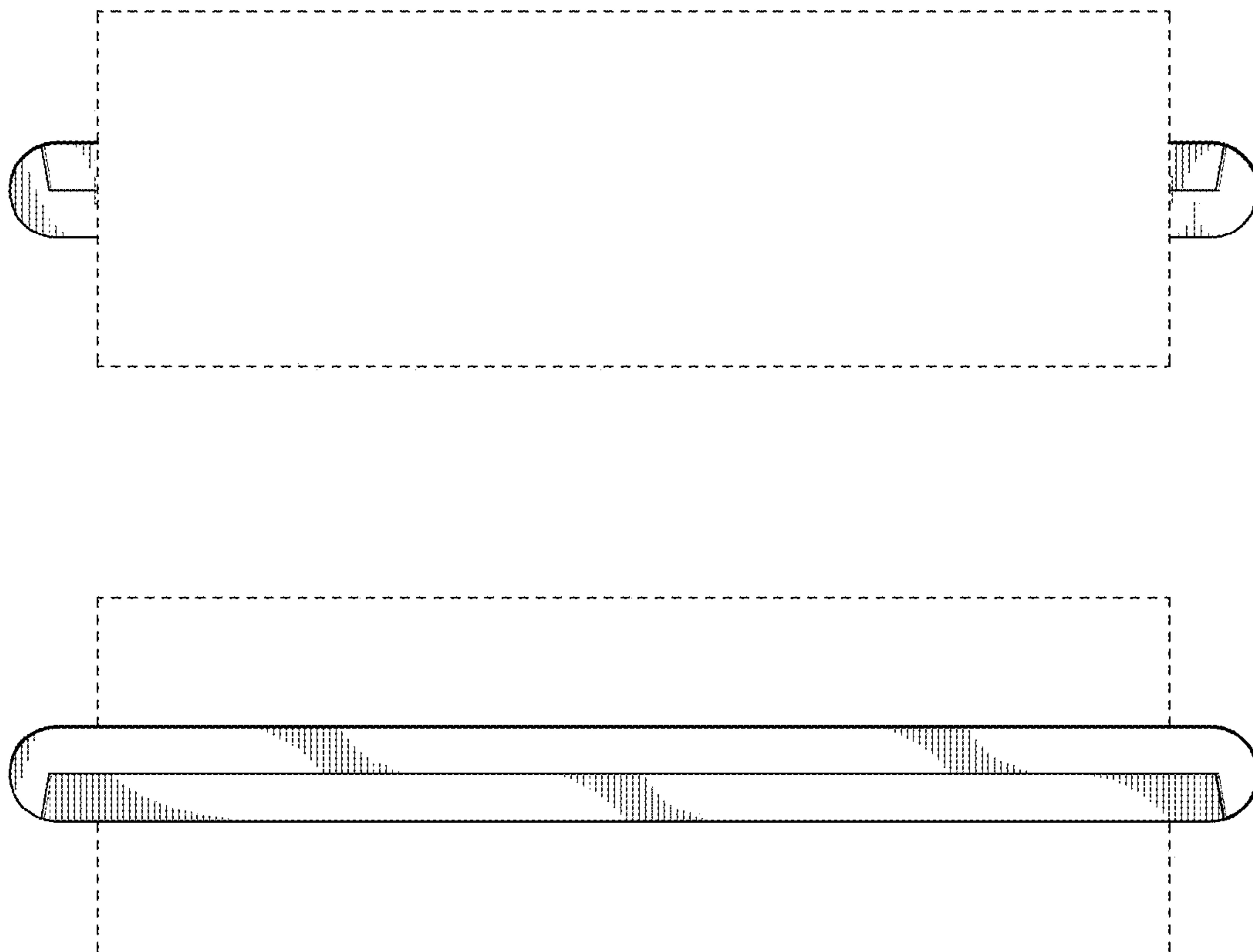


FIG. 5

FIG. 6

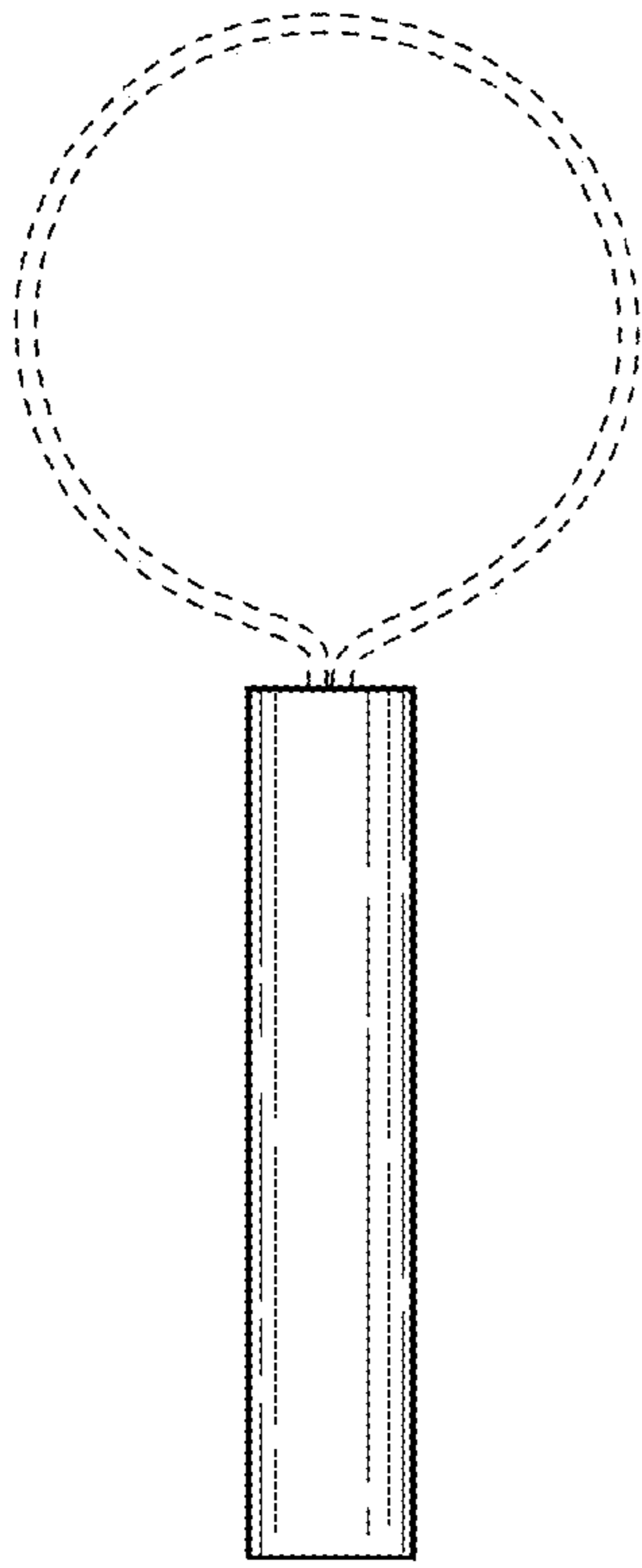


FIG. 7

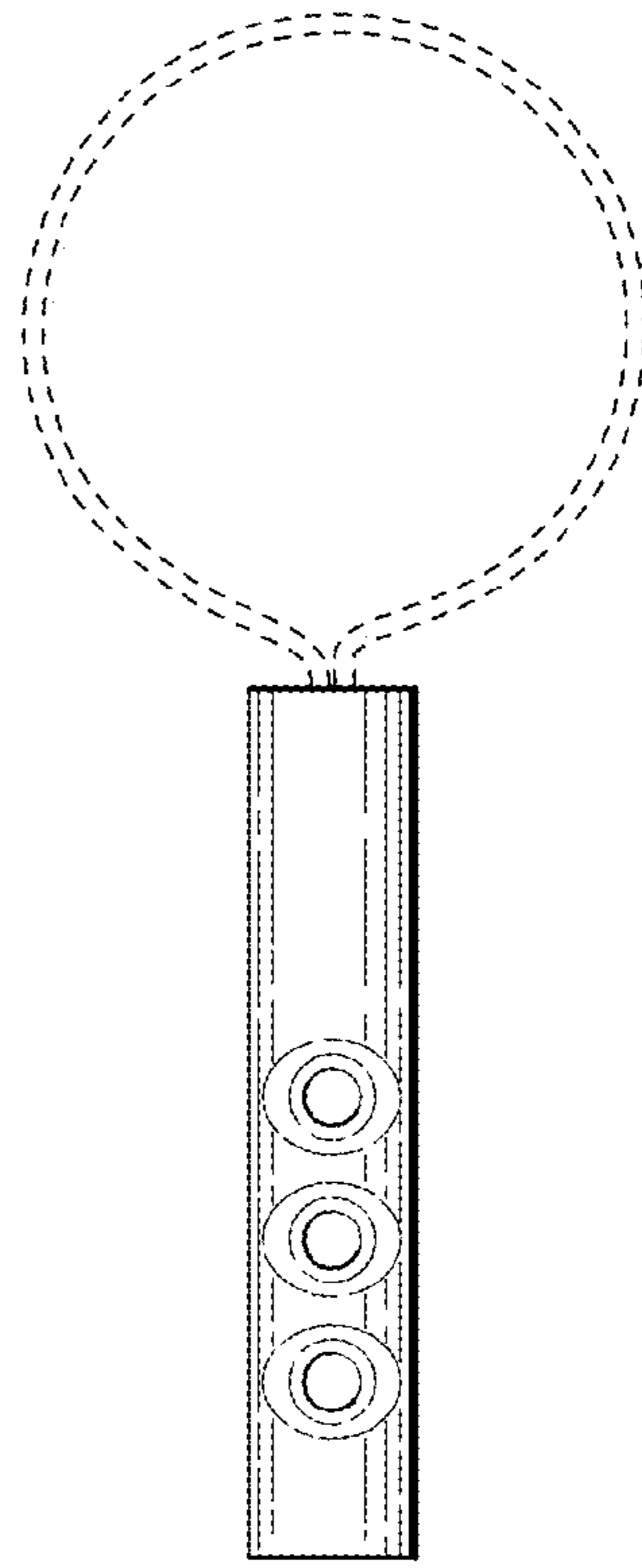


FIG. 8

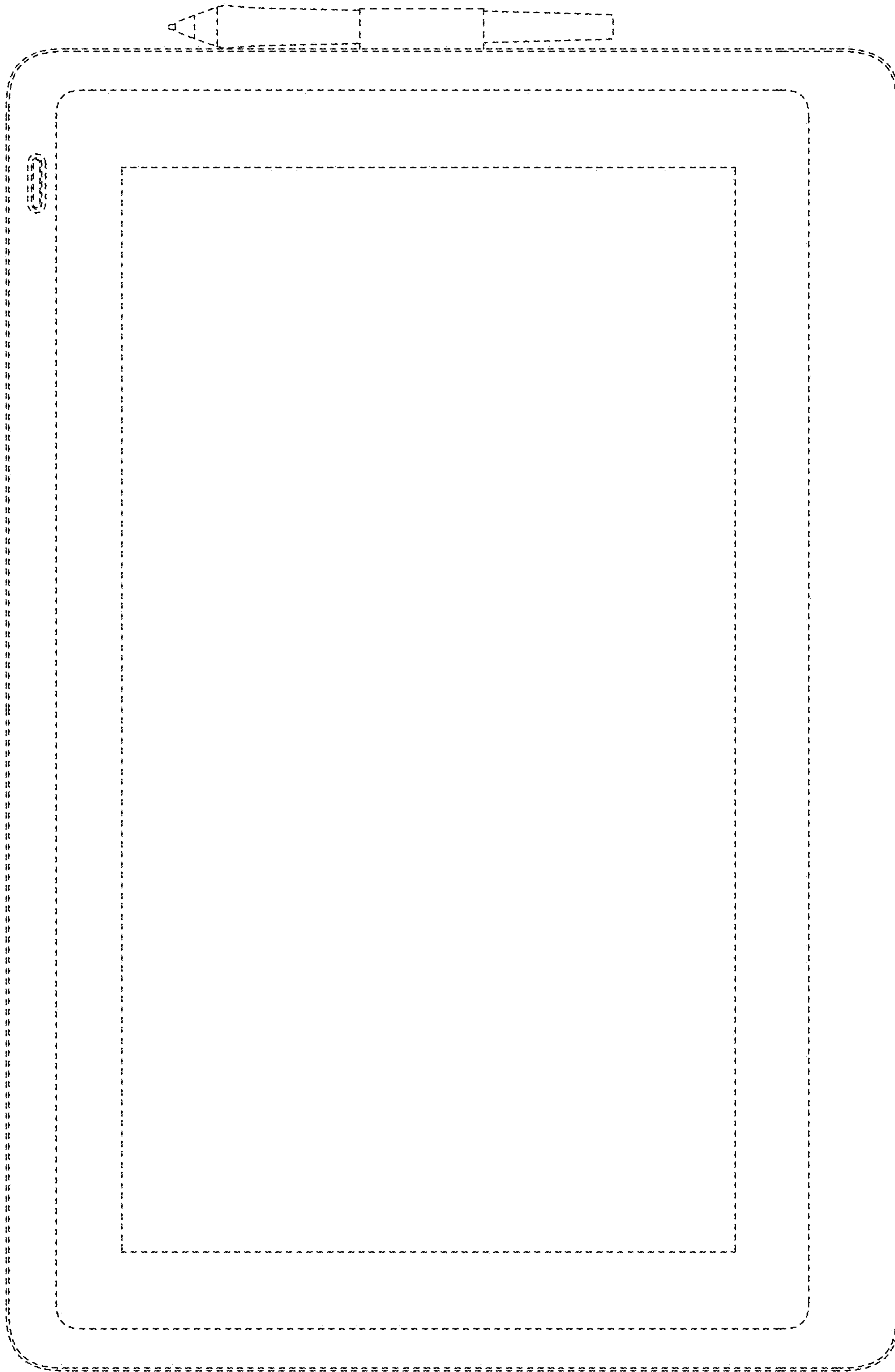


FIG. 9

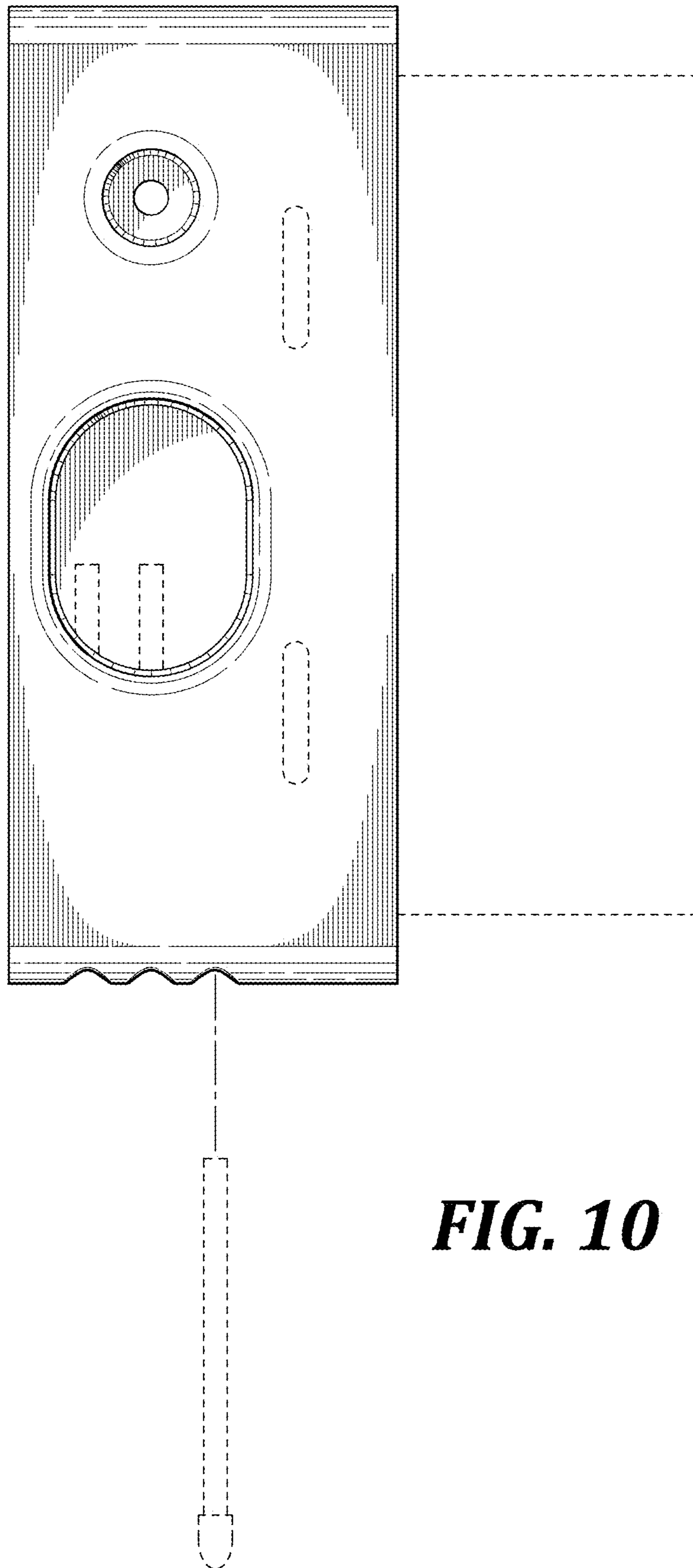


FIG. 10