



US00D906419S

(12) **United States Design Patent** (10) **Patent No.:** **US D906,419 S**
Ryu (45) **Date of Patent:** **** Dec. 29, 2020**

(54) **ADHESIVE DISPENSER**
(71) Applicant: **Whitestone Co., Ltd.**, Cheonan-si (KR)
(72) Inventor: **Jong-Yun Ryu**, Seongnam-si (KR)
(73) Assignee: **Whitestone Co., Ltd.**, Cheonan-si (KR)
(**) Term: **15 Years**
(21) Appl. No.: **29/696,934**
(22) Filed: **Jul. 2, 2019**

(30) **Foreign Application Priority Data**
Mar. 7, 2019 (KR) 30-2019-0010355
(51) **LOC (12) Cl.** **19-02**
(52) **U.S. Cl.**
USPC **D19/66**
(58) **Field of Classification Search**
USPC D19/65-71, 75, 77, 85, 99, 100, 117,
D19/161, 163, 901, 902; D9/504, 558,
D9/573, 574, 723, 726, 727; D28/77, 88,
D28/89
CPC B65H 35/0026; B65H 35/0033; B65H
35/0073; B65H 37/005; B65H 37/007;
B05C 17/005
See application file for complete search history.

(56) **References Cited**
U.S. PATENT DOCUMENTS
544,452 A * 8/1895 Young et al. 401/176
D158,554 S * 5/1950 Cady D9/686
2,889,065 A * 6/1959 Lawlor A45D 34/02
215/12.1
D279,992 S * 8/1985 Gribb 401/199
D303,021 S * 8/1989 Reichmann D28/5
D304,840 S * 11/1989 Mizutani D19/163
D306,355 S * 2/1990 Shinohara D28/7
D309,755 S * 8/1990 Halm D19/66
D341,387 S * 11/1993 Koneval 401/199

5,586,694 A * 12/1996 Breidenbach A45D 34/02
222/183
D383,980 S * 9/1997 Abfier D9/502
D385,793 S * 11/1997 Marsal D24/224
D408,592 S * 4/1999 Litton D19/163
D429,845 S * 8/2000 Lang D24/119
D438,469 S * 3/2001 Breidenbach D9/504
D453,588 S * 2/2002 Breidenbach D28/76
D545,895 S * 7/2007 Okutani D19/117
D550,283 S * 9/2007 Koreska D19/66
D584,608 S * 1/2009 McBride D3/227
(Continued)

FOREIGN PATENT DOCUMENTS

WO 2016008130 A1 1/2016

OTHER PUBLICATIONS

LOCA instructional YouTube Video, <https://www.youtube.com/watch?v=H18Sk61D4Is>, published on Nov. 8, 2015.
(Continued)

Primary Examiner — Elizabeth A. Albert
(74) *Attorney, Agent, or Firm* — Bishop, Diehl & Lee, Ltd.

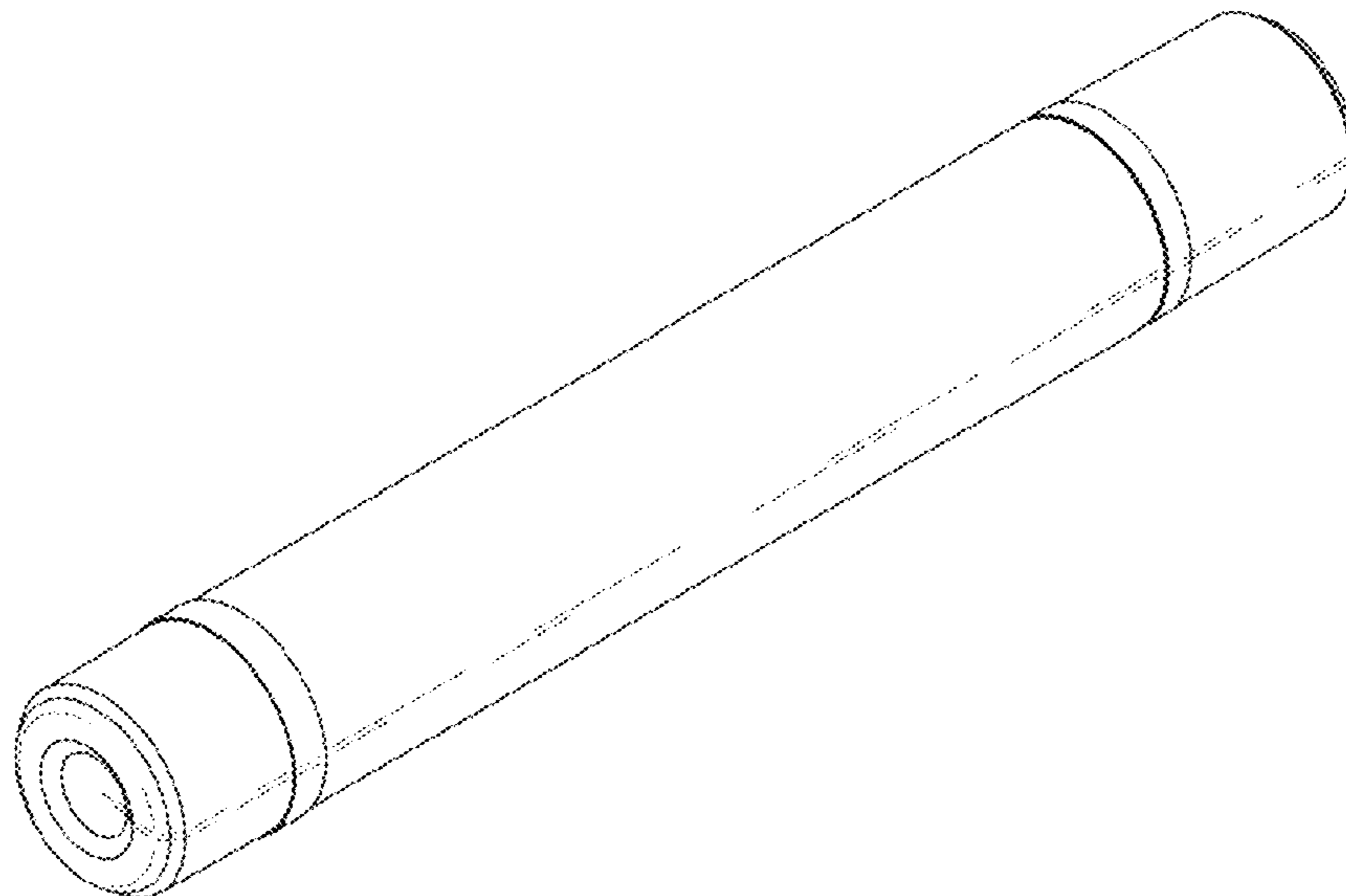
(57) **CLAIM**

The ornamental design for a adhesive dispenser, as shown and described.

DESCRIPTION

FIG. 1 is a perspective view of an adhesive dispenser showing my new design;
FIG. 2 is a front view of FIG. 1;
FIG. 3 is a rear view of FIG. 1;
FIG. 4 is a left side view of FIG. 1;
FIG. 5 is a right side view of FIG. 1;
FIG. 6 is a top plan view of FIG. 1; and,
FIG. 7 is a bottom plan view of FIG. 1.

1 Claim, 6 Drawing Sheets



(56)

References Cited

U.S. PATENT DOCUMENTS

D589,555 S * 3/2009 Li D19/117
 D590,876 S * 4/2009 Shi D19/117
 D615,419 S * 5/2010 Owen D9/726
 D619,650 S * 7/2010 Shi D19/117
 8,770,187 B2 * 7/2014 Murphy A61M 15/0093
 128/200.18
 D712,964 S * 9/2014 Moon D19/117
 D725,490 S * 3/2015 Grosso D9/726
 D728,154 S * 4/2015 Lavanchy D27/101
 9,169,422 B2 10/2015 O'Hare
 9,248,628 B2 2/2016 Honeycutt
 9,259,035 B2 * 2/2016 Terry A61M 15/06
 D755,440 S * 5/2016 Collen D27/163
 9,868,274 B2 1/2018 Kim
 D819,894 S * 6/2018 Sung D29/126
 10,100,238 B2 10/2018 Lu
 D843,648 S * 3/2019 Santos D27/162
 D846,995 S * 4/2019 El Beaini D9/684
 D851,333 S * 6/2019 Nagata D28/89

D861,979 S * 10/2019 Sibley D27/183
 2011/0290244 A1 * 12/2011 Schennum A24F 47/002
 128/200.23
 2013/0056013 A1 * 3/2013 Terry A61M 11/041
 131/328
 2014/0283859 A1 * 9/2014 Minskoff A61M 15/06
 131/329

OTHER PUBLICATIONS

LOCA instructional YouTube Video, https://www.youtube.com/watch?v=bv_Bj6RY-Nc, published on Nov. 22, 2013.
 LOCA instructional YouTube Video, <https://www.youtube.com/watch?v=8e7pUESE2KE>, published on Apr. 24, 2014.
 AmFilm's Full Screen (Edge to Edge) 3D Curved Tempered Glass Screen Protector for use with the Galaxy S6, Jul. 2015, available at <https://www.amazon.com/dp/B00ZEEXWHK#customerReviews>.
 The Editorial Staff, Products on Display at Display Week 2012, May 1, 2012, SID 2012 International Symposium, Seminar, and Exhibition, available publicly at www.sid.org.

* cited by examiner

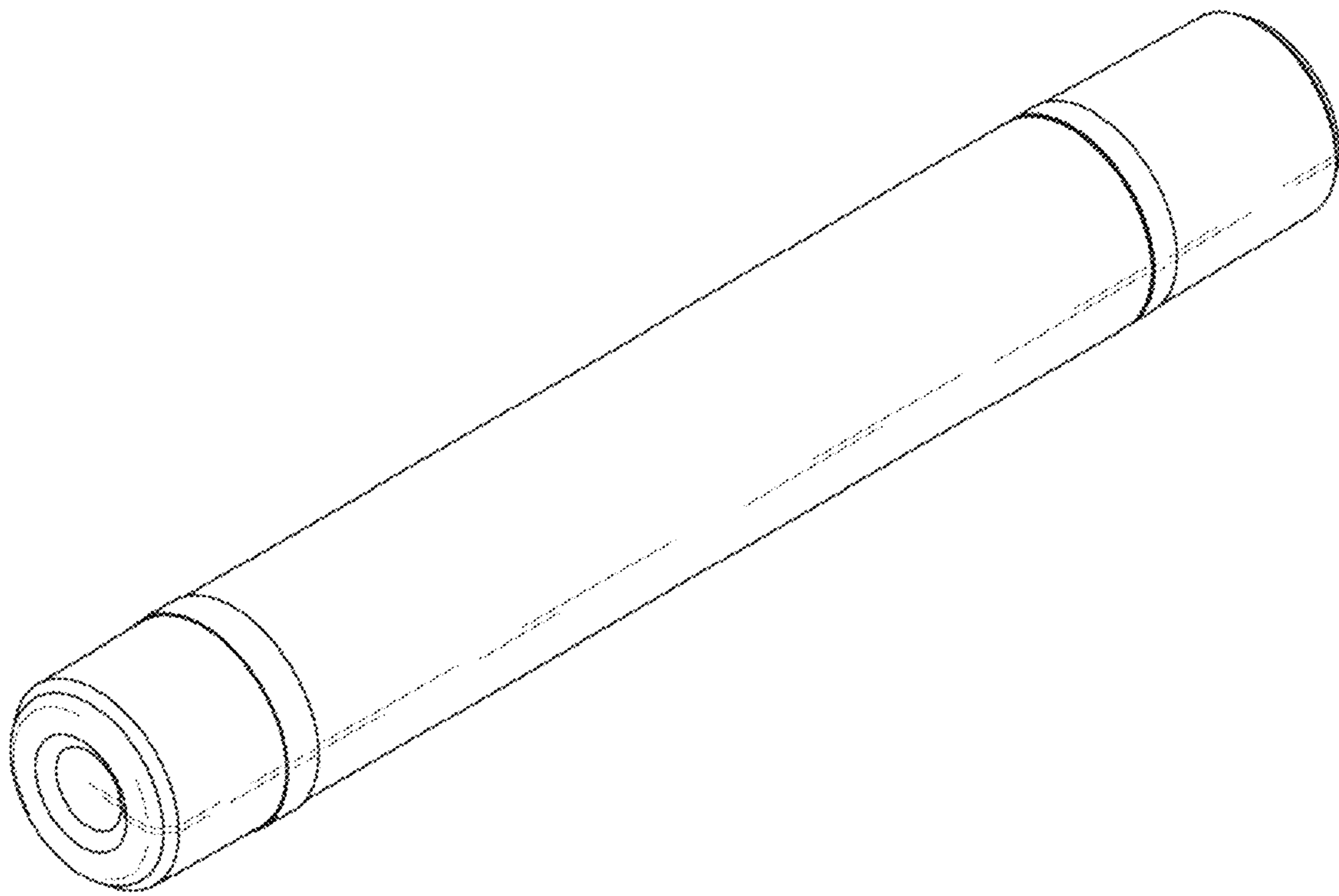


Figure 1

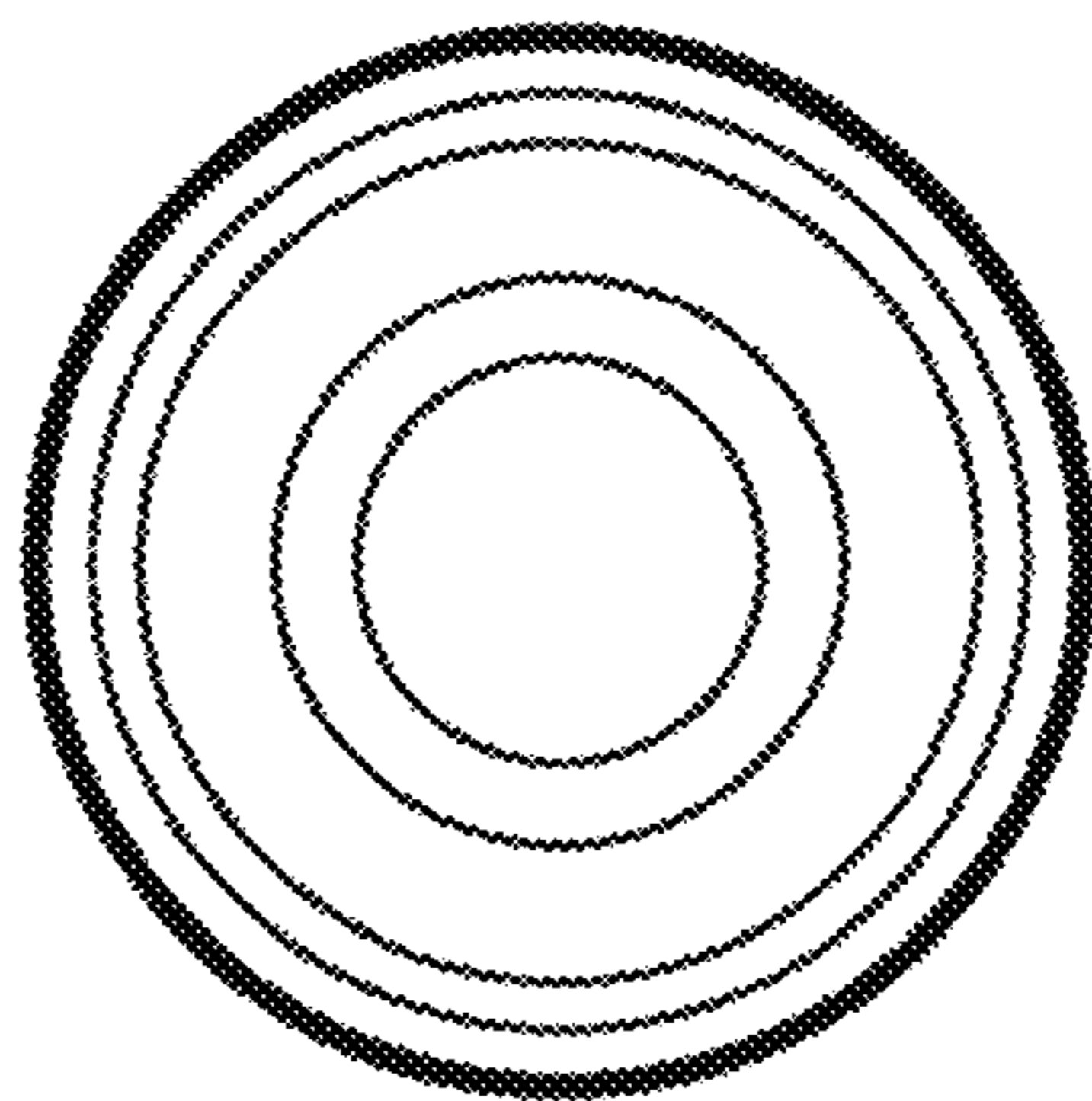


Figure 2

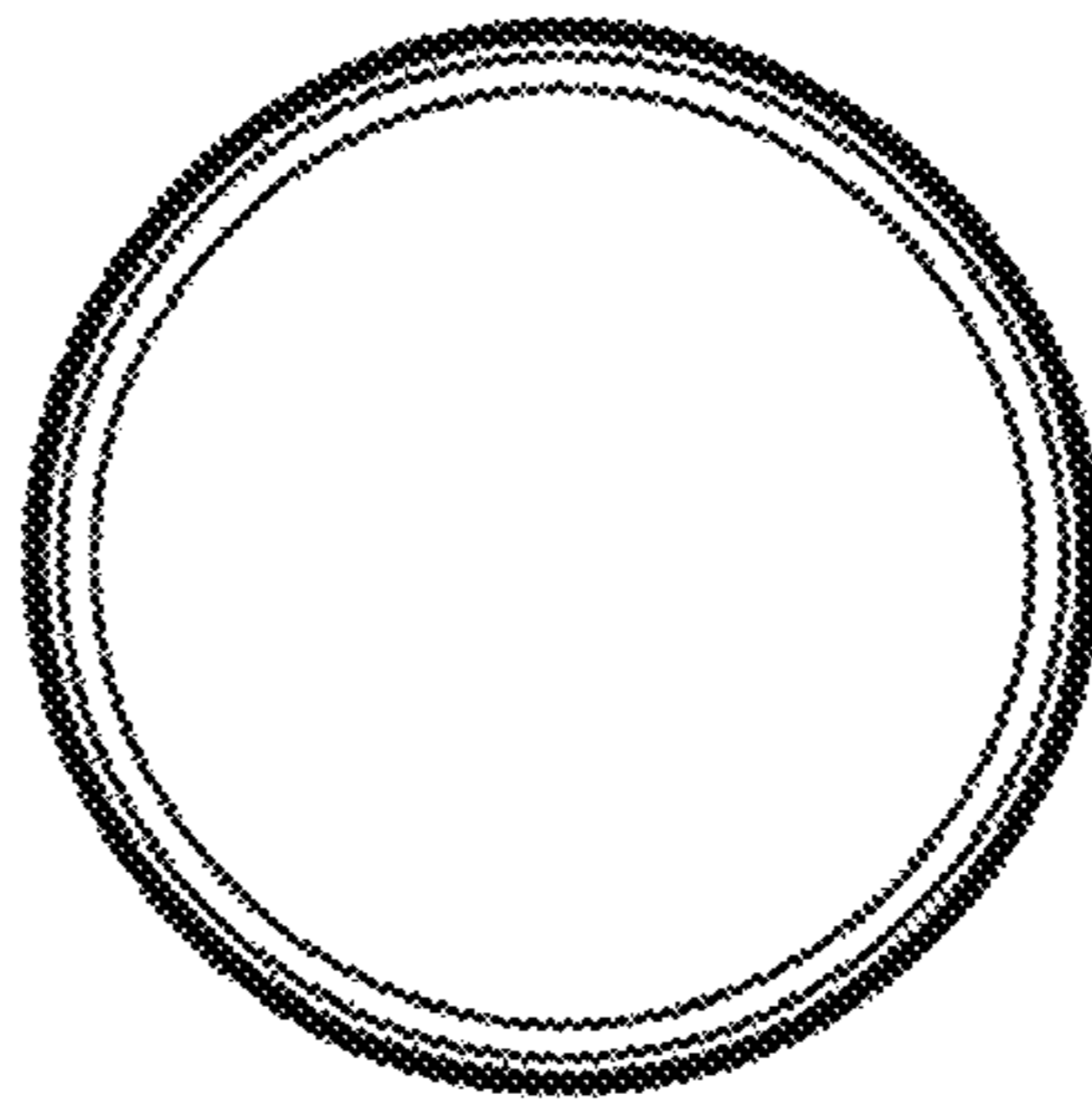


Figure 3



Figure 4

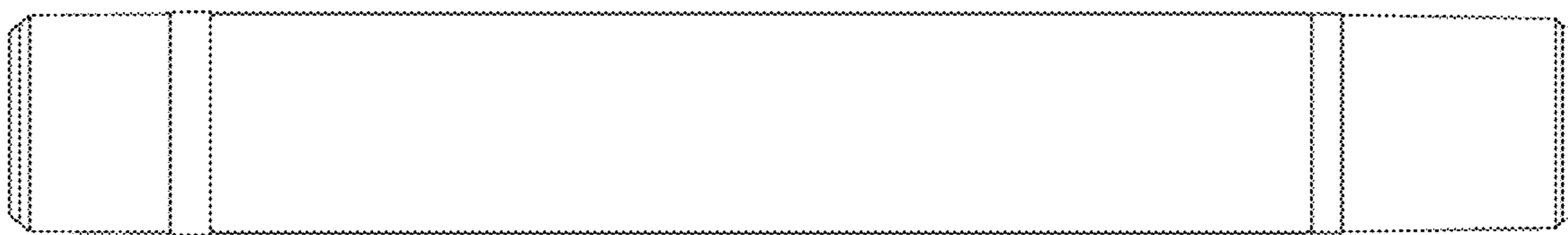


Figure 5



Figure 6



Figure 7