



US00D906417S

(12) **United States Design Patent** (10) **Patent No.:** **US D906,417 S**  
**Del Vecchio et al.** (45) **Date of Patent:** **\*\* Dec. 29, 2020**

(54) **POP-UP CARD HOLDER**

(71) Applicant: **Klear Technologies, Inc.**, Las Vegas, NV (US)

(72) Inventors: **Giancarlo Enrico Del Vecchio**, San Diego, CA (US); **Scott David Hazard**, Orinda, CA (US); **Grace Jiang**, San Jose, CA (US); **Jason Tang**, San Jose, CA (US); **Kenneth Chad Venables**, Cape Town (ZA)

(73) Assignee: **Klear Technologies, Inc.**, Las Vegas, NV (US)

(\*\*) Term: **15 Years**

(21) Appl. No.: **29/686,966**

(22) Filed: **Apr. 9, 2019**

(51) **LOC (12) Cl.** ..... **19-01**

(52) **U.S. Cl.**  
USPC ..... **D19/3; D19/2**

(58) **Field of Classification Search**  
USPC ..... D19/1-8, 82, 100; 40/124.01-124.15, 40/582, 540, 443, 442, 902, 672, 617, 40/599, 331, 359, 360, 625, 717, 455, 40/124.191, 539; 446/147; 362/806, 362/808; 428/42.1, 203-204, 913.3; 283/2-4, 74-75, 91, 103, 105-106; D20/10, 22, 42, 27, 40; 229/92, 92.1, 229/92.8, 303-3.03; D11/131, 117, 118, D11/121; 206/449, 308.3; D2/714; D21/660  
CPC .. B44C 5/00; B44C 5/06; B42D 15/00; B42D 15/02; B42D 15/04; B42D 15/022; B42D 15/027; B42D 15/042; B42D 15/045; G09F 1/00; G09F 1/04; G09F 1/06; G09F 1/08

See application file for complete search history.

(56) **References Cited**

U.S. PATENT DOCUMENTS

2,114,824 A \* 4/1938 Watsky ..... G09F 23/10  
446/148  
D867,449 S \* 11/2019 Yue ..... D19/2  
D881,271 S \* 4/2020 Flores ..... D19/1

\* cited by examiner

*Primary Examiner* — Abraham Bahta

(74) *Attorney, Agent, or Firm* — Stroock & Stroock & Lavan LLP

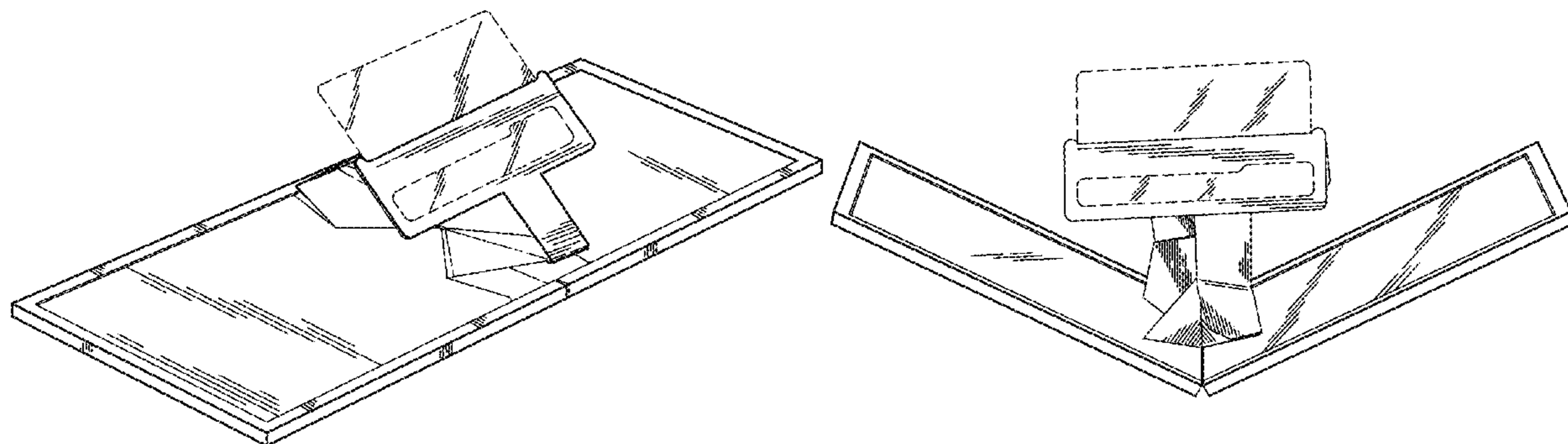
(57) **CLAIM**

The ornamental design for a pop-up card holder, as shown and described.

**DESCRIPTION**

FIG. 1 is an isometric view of a pop-up card holder in a fully open position;  
FIG. 2 is a front elevation view thereof;  
FIG. 3 is a back elevation view thereof;  
FIG. 4 is a left elevation view thereof;  
FIG. 5 is a top plan view thereof;  
FIG. 6 is a bottom plan view thereof;  
FIG. 7 is a front perspective view of the closable card holder in a partially closed position;  
FIG. 8 is left elevation view thereof;  
FIG. 9 is a top plan view thereof; and,  
FIG. 10 is a bottom plan view thereof.  
The phantom and/or broken lines are for illustrative purposes only and form no part of the claimed design.

**1 Claim, 5 Drawing Sheets**



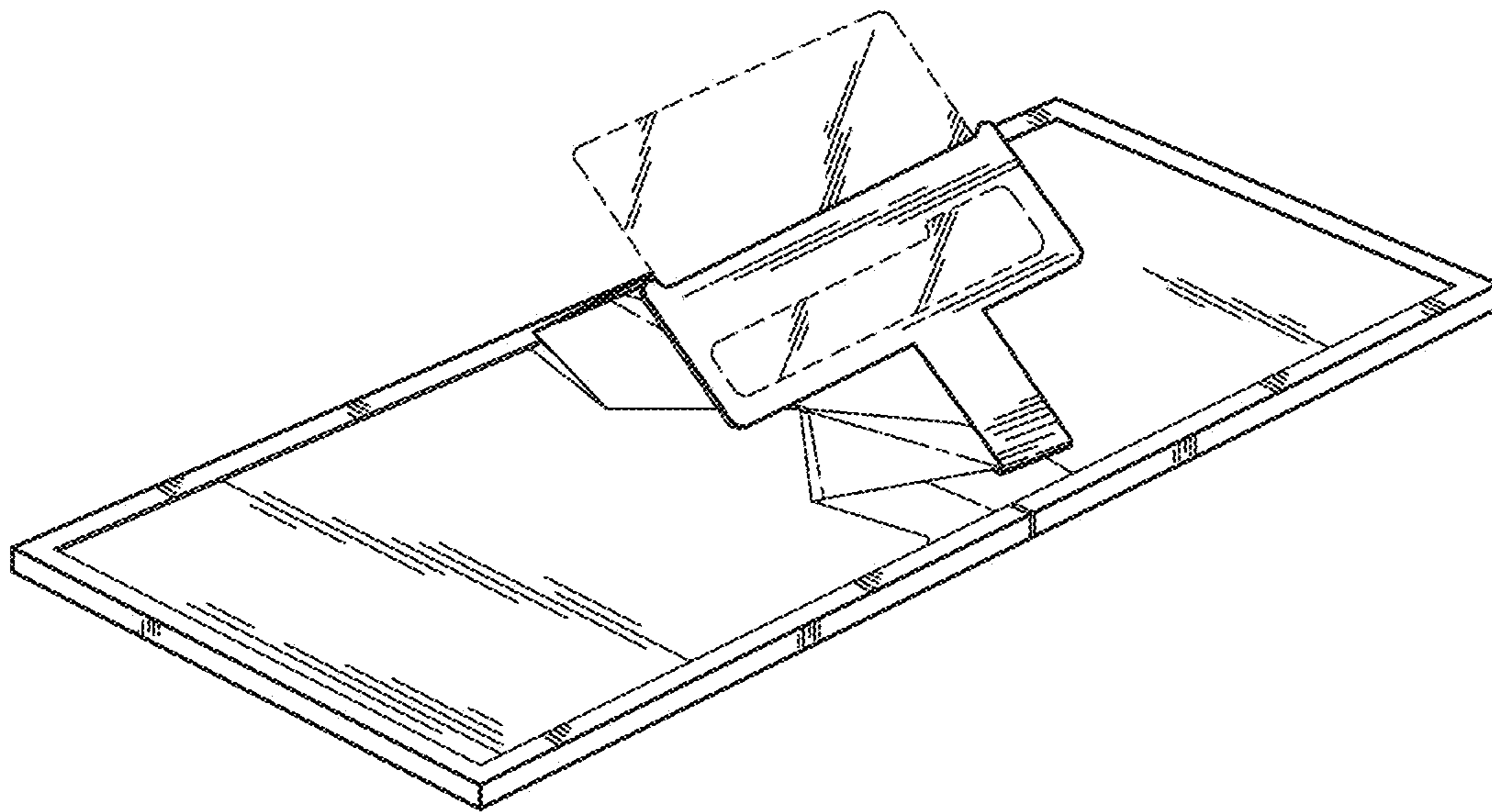


FIG. 1

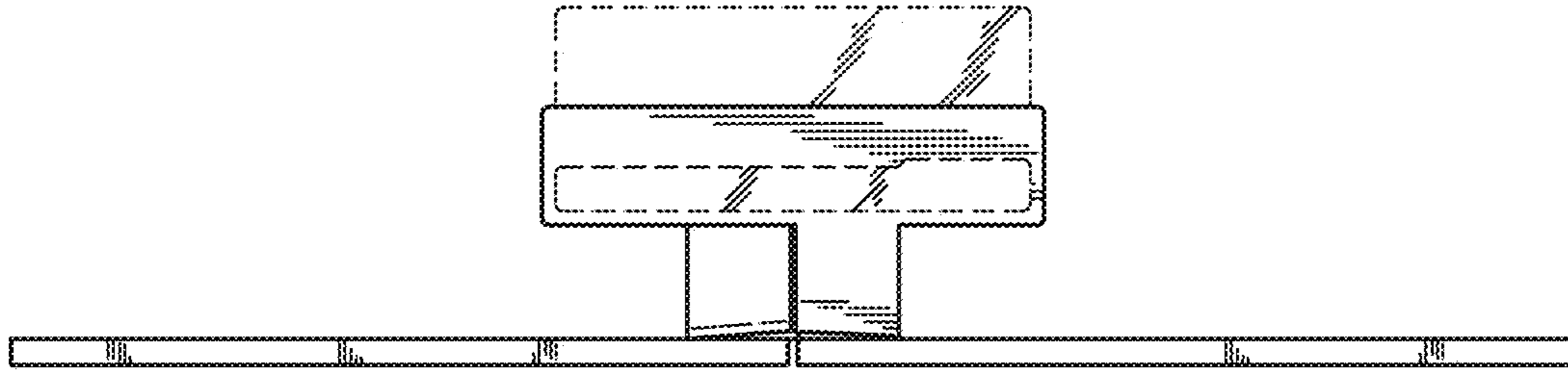


FIG. 2

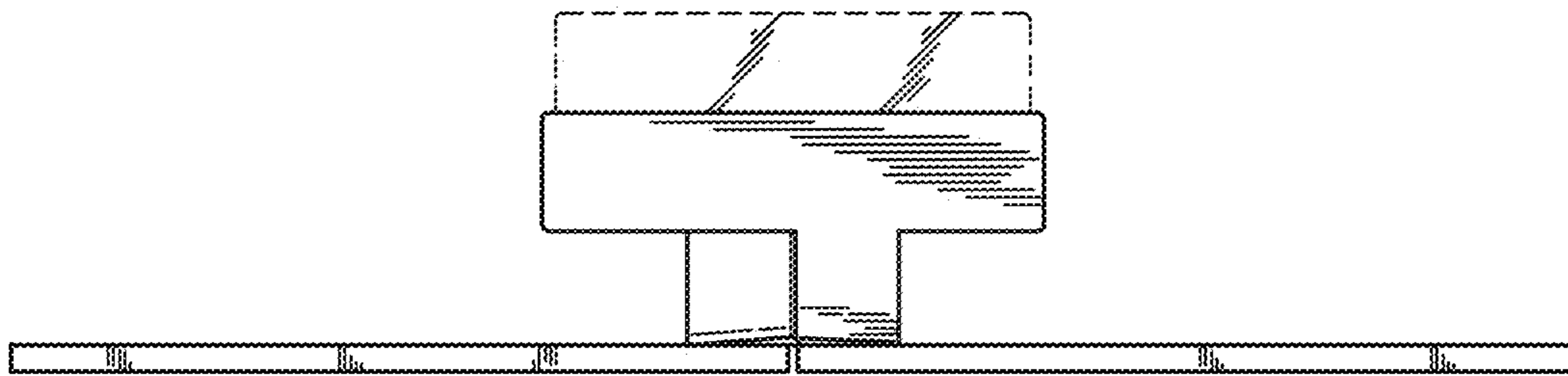


FIG. 3

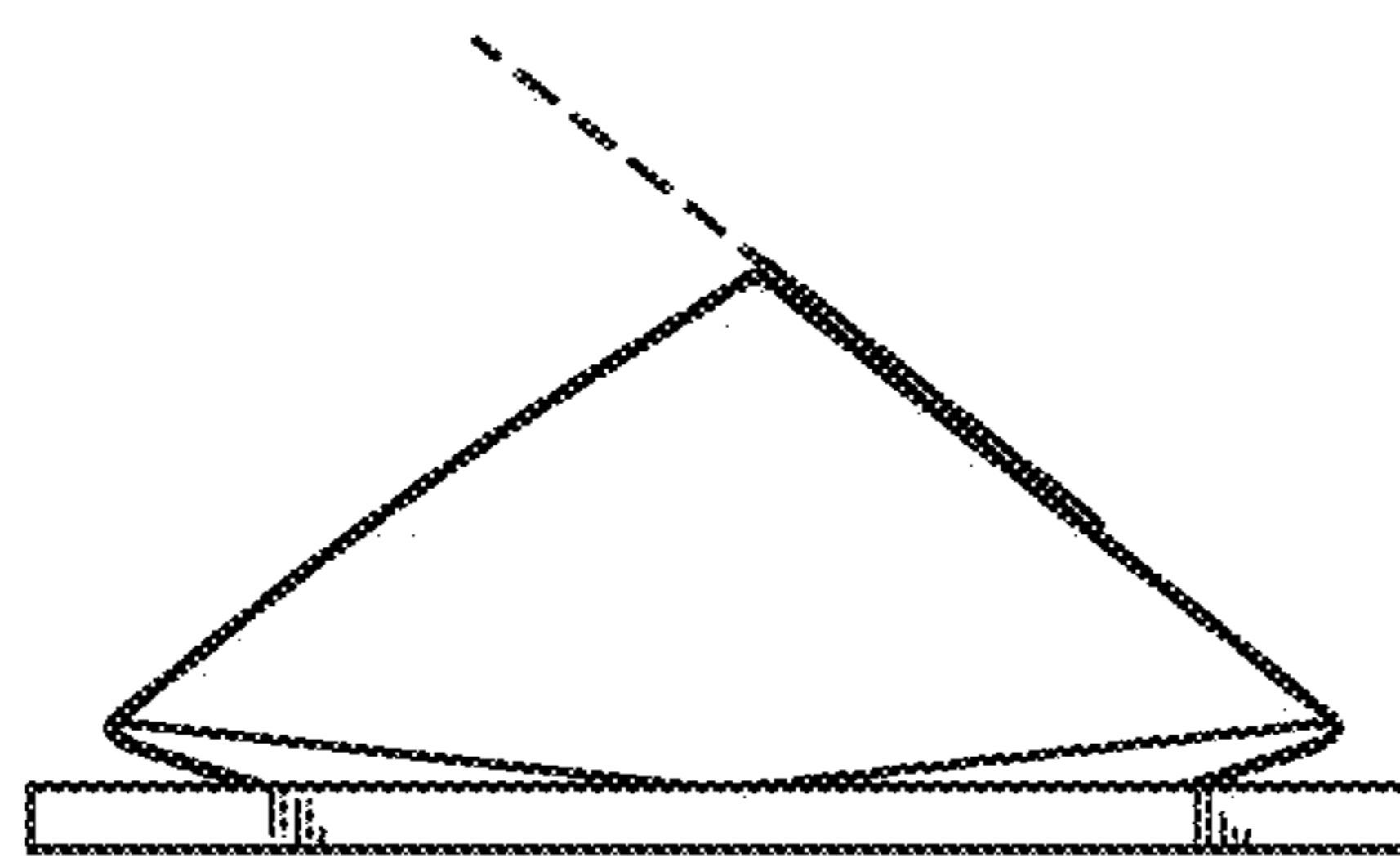


FIG. 4

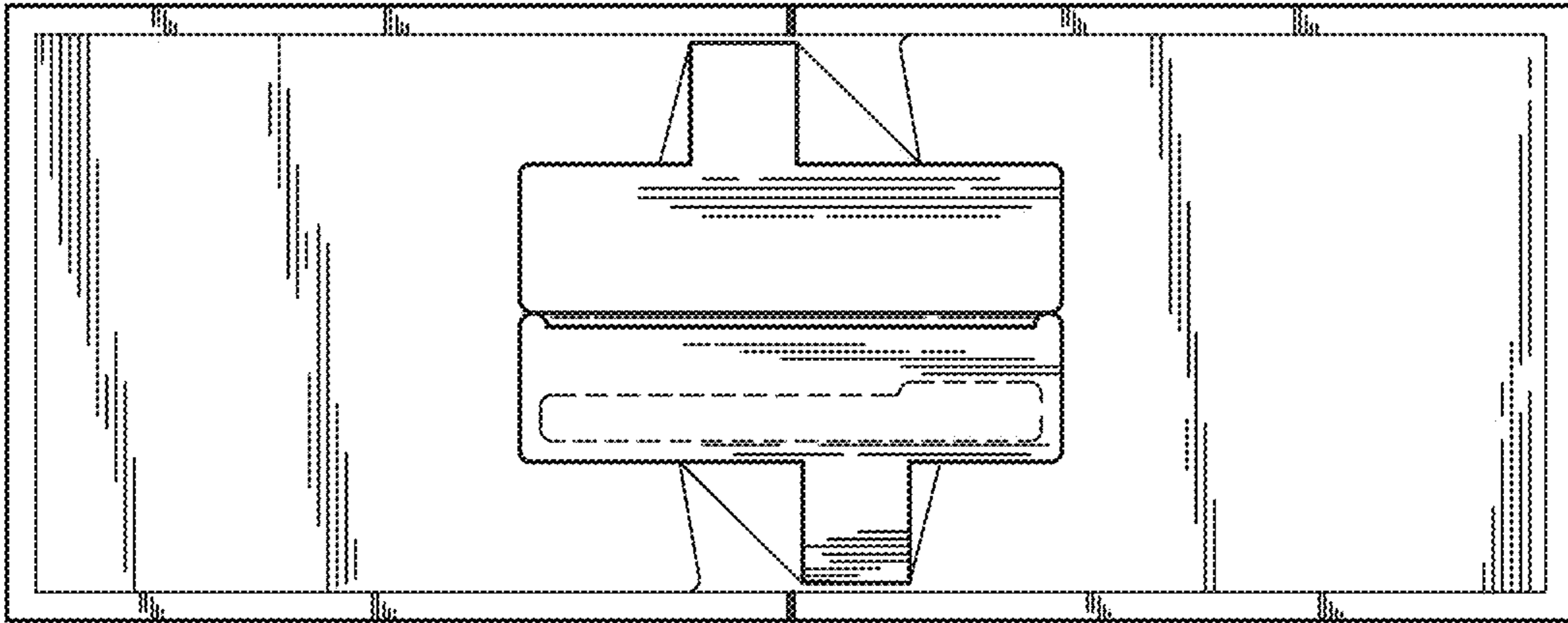


FIG. 5

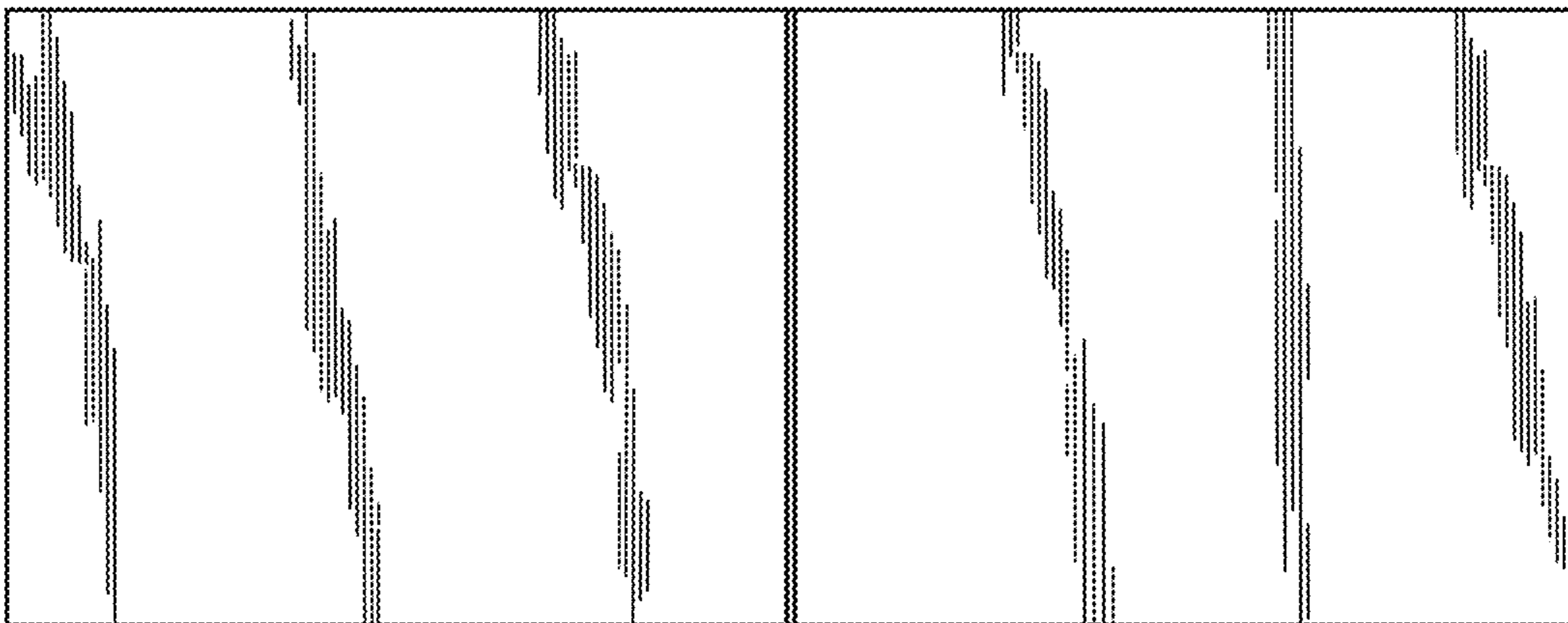


FIG. 6

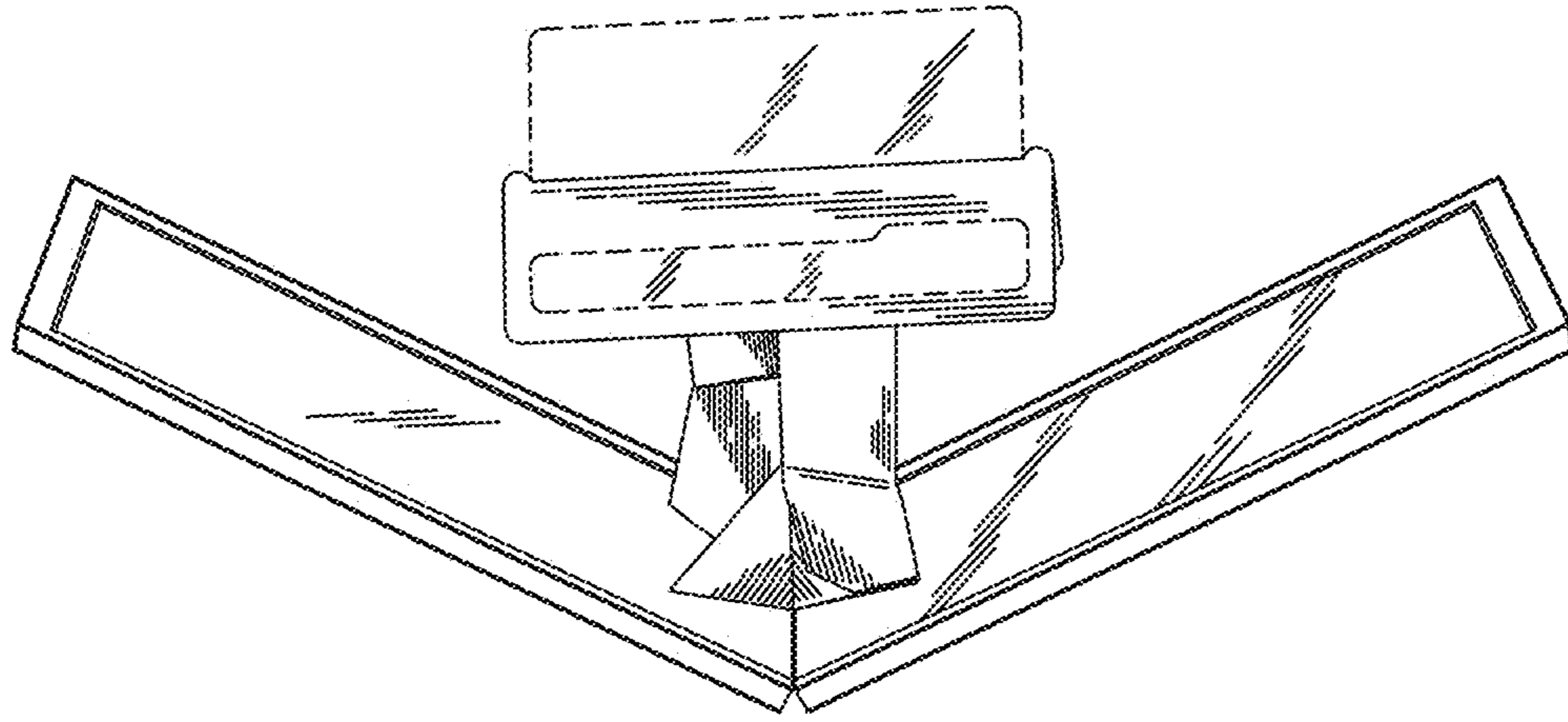


FIG. 7

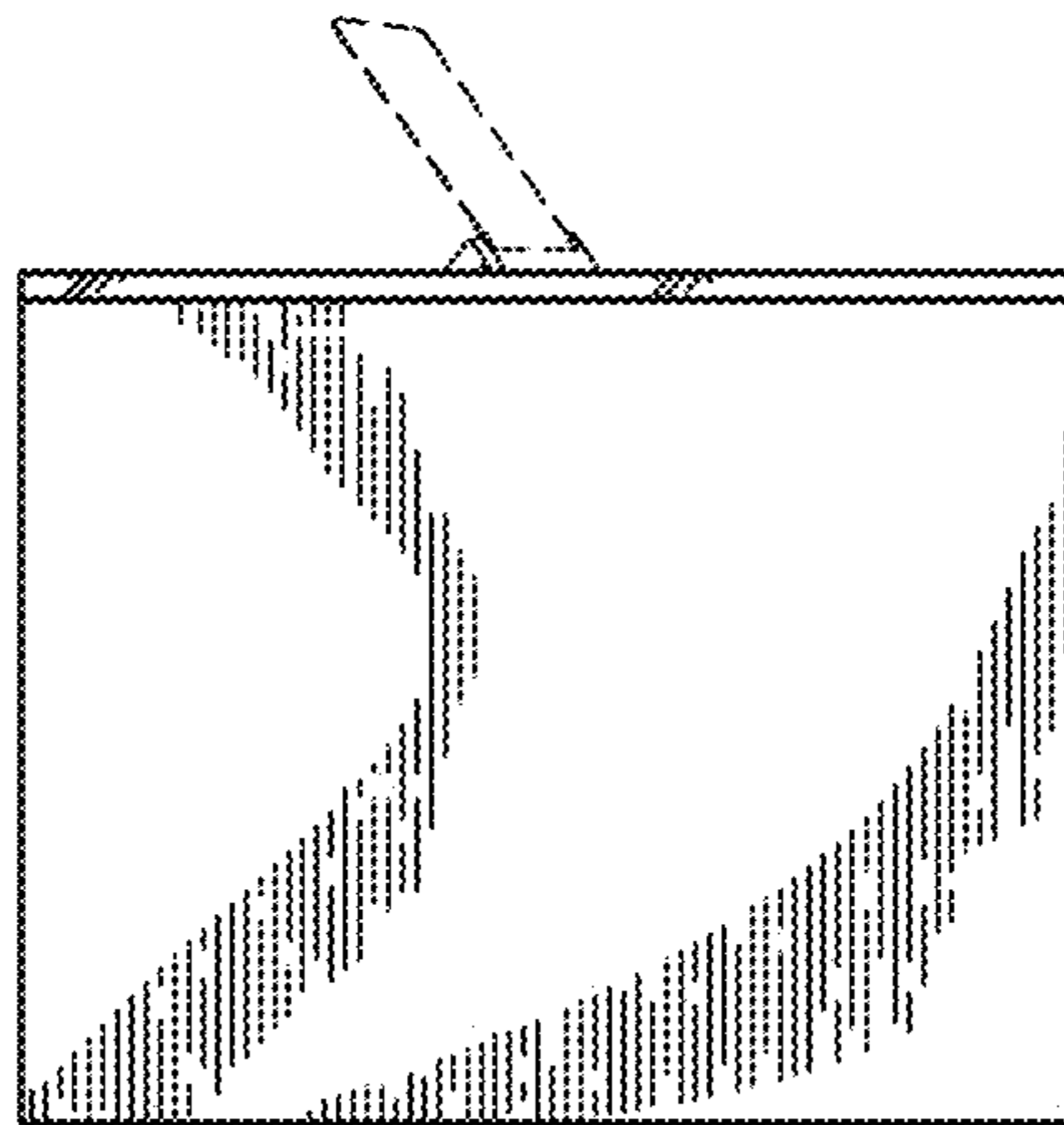


FIG. 8

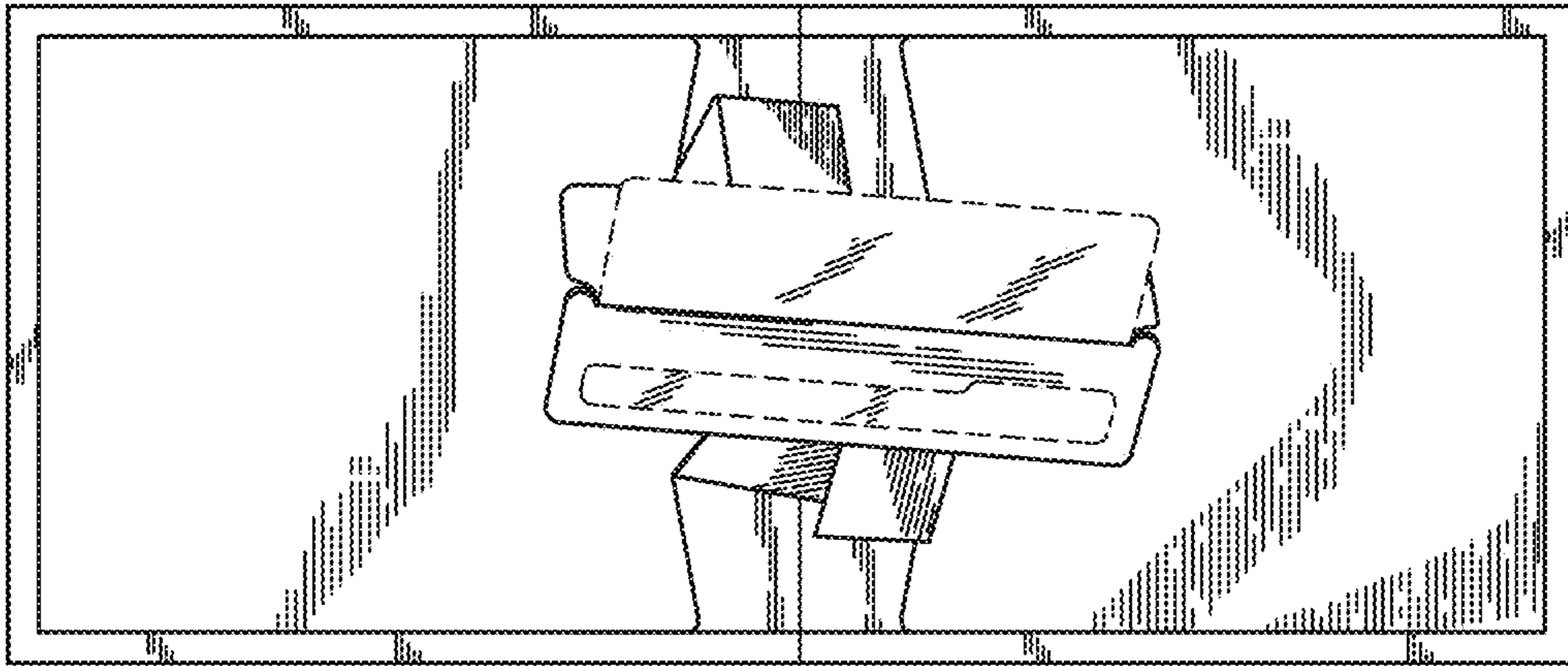


FIG. 9

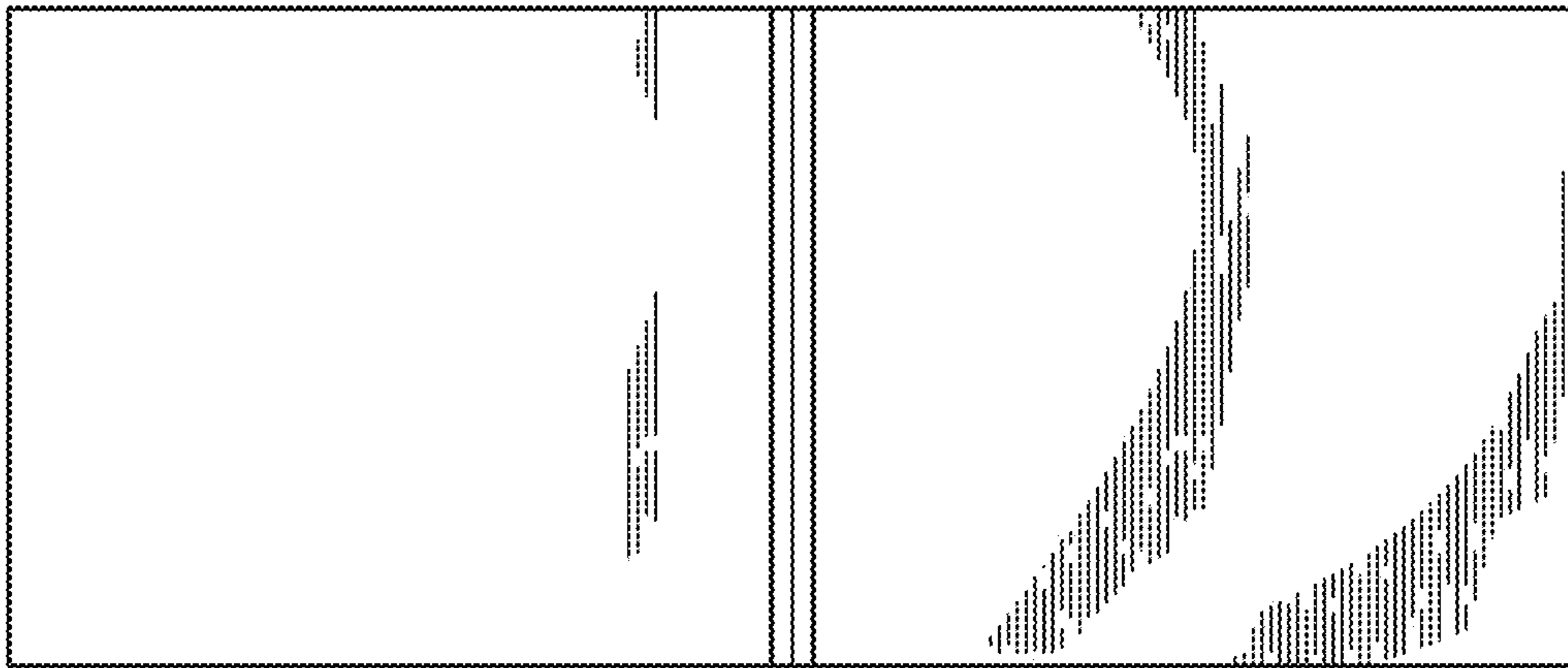


FIG. 10