



US00D906415S

(12) **United States Design Patent**
Fukushima et al.

(10) **Patent No.:** **US D906,415 S**
(45) **Date of Patent:** **** Dec. 29, 2020**

(54) **HEAD FOR INK CARTRIDGE FOR
COMPUTER PRINTERS**

(71) Applicant: **CANON KABUSHIKI KAISHA,**
Tokyo (JP)

(72) Inventors: **Takashi Fukushima,** Yokohama (JP);
Yasuo Kotaki, Yokohama (JP); **Tetsuya**
Ohashi, Matsudo (JP); **Ryoji Inoue,**
Kawasaki (JP); **Hironori Murakami,**
Meguro-ku (JP); **Takeho Miyashita,**
Yokohama (JP); **Kyosuke Nagaoka,**
Kodaira (JP)

(73) Assignee: **Canon Kabushiki Kaisha,** Tokyo (JP)

(**) Term: **15 Years**

(21) Appl. No.: **29/747,015**

(22) Filed: **Aug. 19, 2020**

Related U.S. Application Data

(62) Division of application No. 35/507,171, filed on Sep.
28, 2018 (U.S. filing date under 35 U.S.C. 384), and
having an international filing date of Sep. 28, 2018.

(30) **Foreign Application Priority Data**

Mar. 29, 2018 (JP) 2018-006728
Mar. 29, 2018 (JP) 2018-006729

(51) **LOC (12) Cl.** **16-03**

(52) **U.S. Cl.**
USPC **D18/43**

(58) **Field of Classification Search**
USPC D18/40, 43; D14/462, 471
CPC G03G 15/0142; G03G 15/00
See application file for complete search history.

(56) **References Cited**

U.S. PATENT DOCUMENTS

D330,215 S 10/1992 Saito
D337,259 S 7/1993 Curtis

D376,614 S 12/1996 Ichikawa
D389,176 S 1/1998 Ichikawa
D395,058 S 6/1998 Montes
D403,348 S 12/1998 Matsuoka
D408,845 S 4/1999 Harumoto
(Continued)

Primary Examiner — Robert M. Spear
(74) *Attorney, Agent, or Firm* — Venable LLP

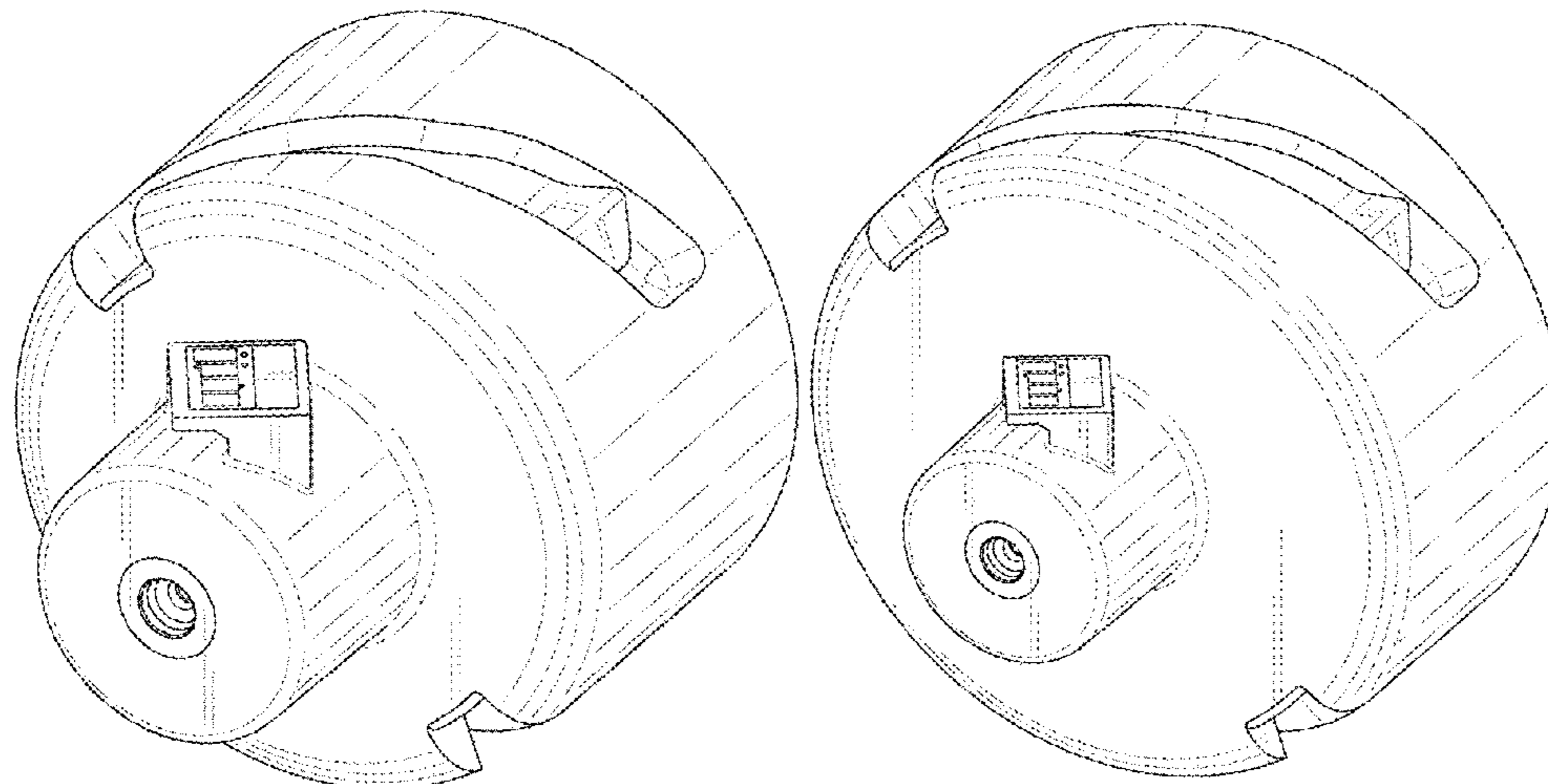
(57) **CLAIM**

The ornamental design for a head for ink cartridge for
computer printers, as shown and described.

DESCRIPTION

FIG. 1: Front view of a first embodiment of the head for ink
cartridge for computer printers;
FIG. 2: Back view thereof;
FIG. 3: Top view thereof;
FIG. 4: Bottom view thereof;
FIG. 5: Left view thereof;
FIG. 6: Right view thereof;
FIG. 7: Perspective view thereof;
FIG. 8: Perspective view thereof;
FIG. 9: Perspective view thereof;
FIG. 10: Perspective view thereof;
FIG. 11: Front view of a second embodiment of the head for
ink cartridge for computer printers;
FIG. 12: Back view thereof;
FIG. 13: Top view thereof;
FIG. 14: Bottom view thereof;
FIG. 15: Left view thereof;
FIG. 16: Right view thereof;
FIG. 17: Perspective view thereof;
FIG. 18: Perspective view thereof;
FIG. 19: Perspective view thereof; and,
FIG. 20: Perspective view thereof.

1 Claim, 20 Drawing Sheets



(56)

References Cited

U.S. PATENT DOCUMENTS

D538,850	S	3/2007	Choi	
D559,902	S	1/2008	Park	
D602,984	S	* 10/2009	Yoshizawa	D18/43
D624,960	S	10/2010	Inoue	
D626,173	S	10/2010	Inoue	
D629,447	S	12/2010	Wegman	
D630,678	S	* 1/2011	Takiguchi	D18/43
D636,435	S	* 4/2011	Naito	D18/43
D648,779	S	* 11/2011	Saito	D18/43
D648,780	S	* 11/2011	Sakai	D18/43
D648,781	S	* 11/2011	Sakai	D18/43
D651,643	S	* 1/2012	Sakai	D18/43
D667,047	S	* 9/2012	Oshikawa	D18/43
D667,048	S	* 9/2012	Oshikawa	D18/43
D674,004	S	* 1/2013	Shimomura	D18/43
D675,253	S	* 1/2013	Kubota	D18/56
D675,254	S	* 1/2013	Kubota	D18/56
D675,255	S	* 1/2013	Kubota	D18/56
D677,718	S	3/2013	Huck	
D712,459	S	* 9/2014	Koshimori	D18/43
D722,642	S	* 2/2015	Wada	D18/56
D739,757	S	* 9/2015	Newton	D9/552
D746,904	S	* 1/2016	Kitagawa	D18/43
D746,905	S	* 1/2016	Kitagawa	D18/43
D746,906	S	* 1/2016	Kitagawa	D18/43
D781,376	S	* 3/2017	Hakukawa	D18/43
D785,701	S	* 5/2017	Kuboki	D18/43
D790,624	S	* 6/2017	Matsushita	D18/56
D795,339	S	* 8/2017	Kuboki	D18/43
D815,731	S	* 4/2018	Medugorac	D24/111
D816,153	S	* 4/2018	Oizumi	D18/43
D816,158	S	4/2018	Yoshii	
D869,550	S	12/2019	Yoshii	

* cited by examiner

Fig. 1

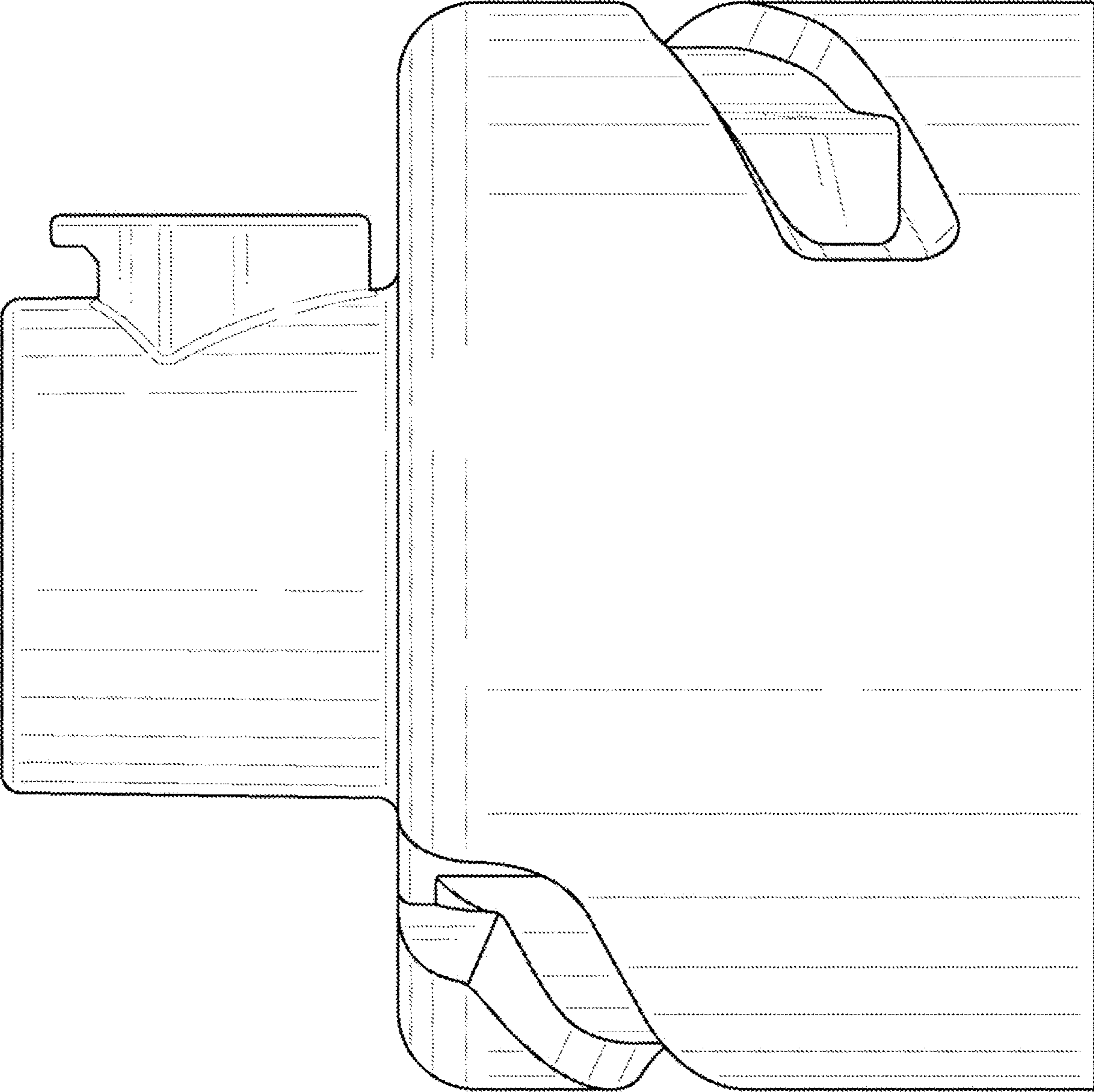


Fig. 2

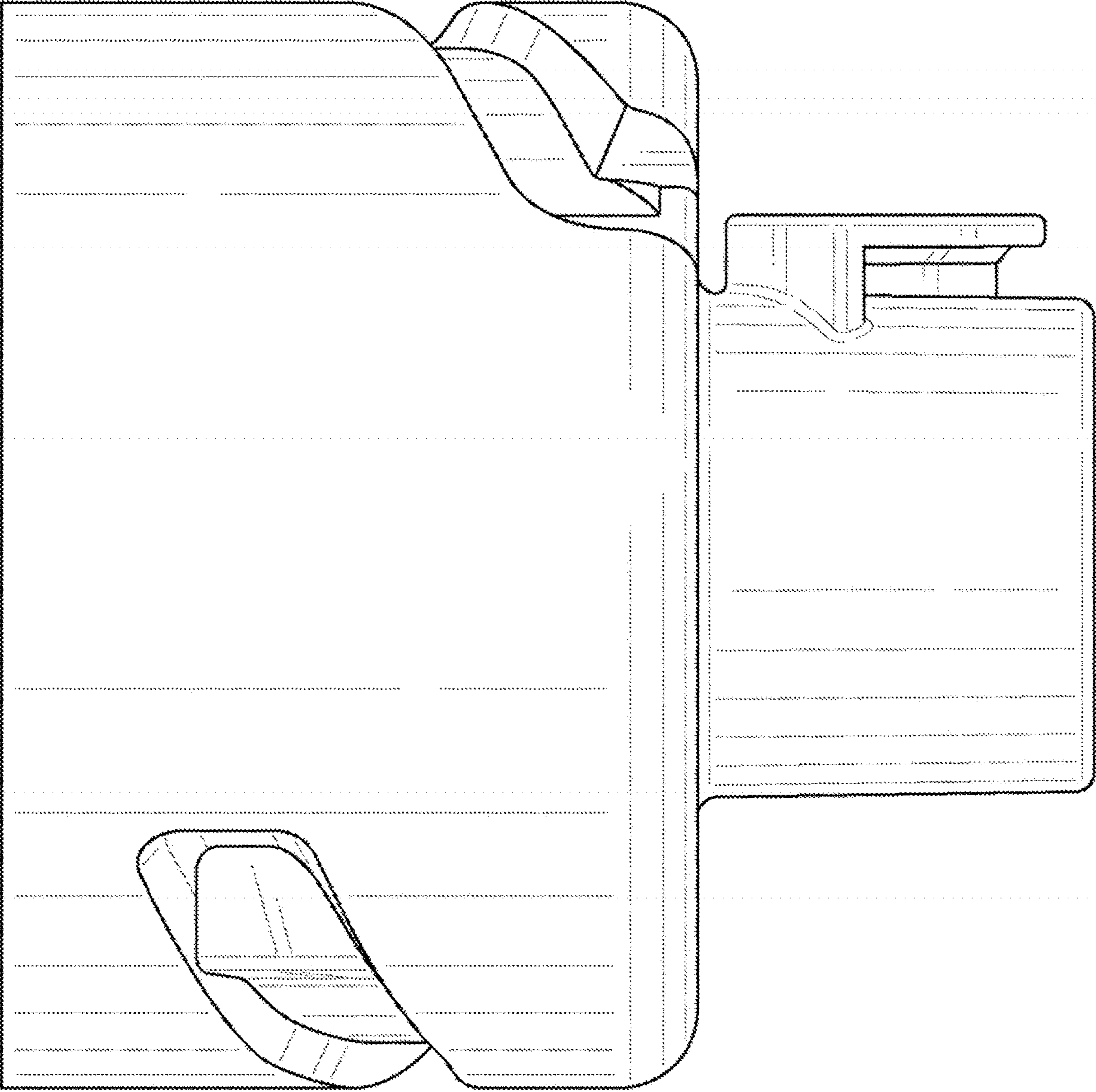


Fig. 3

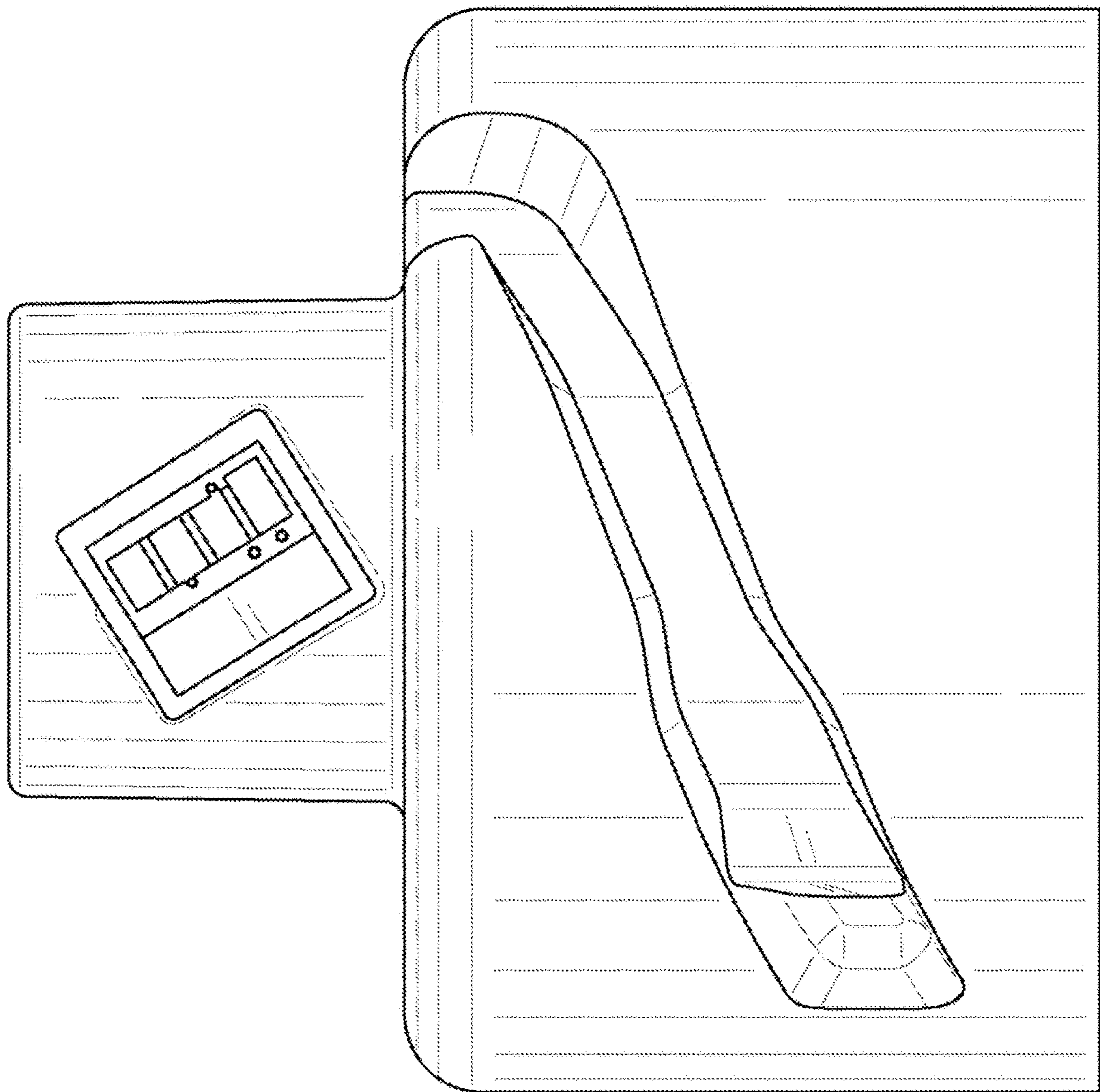


Fig. 4

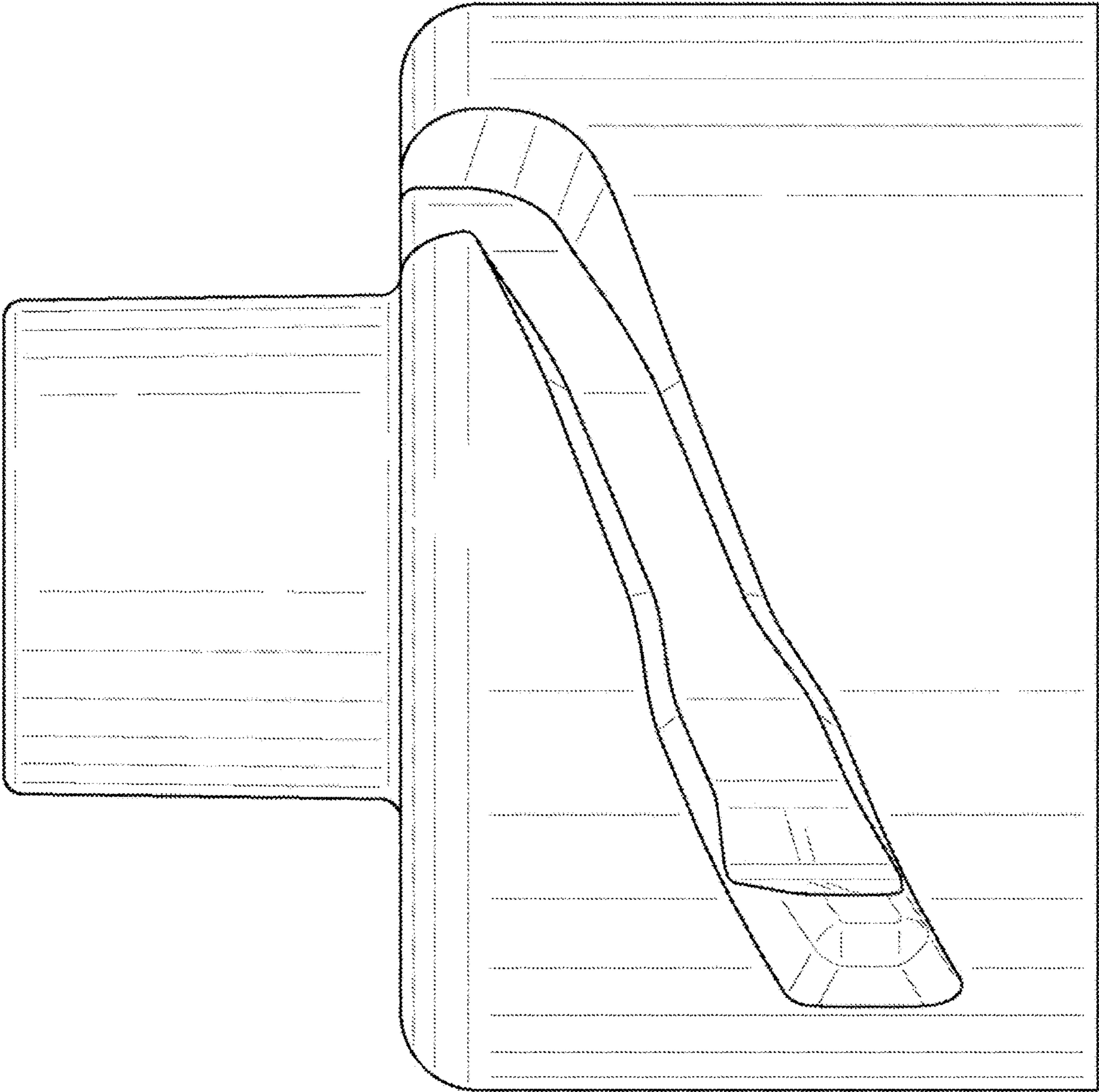


Fig. 5

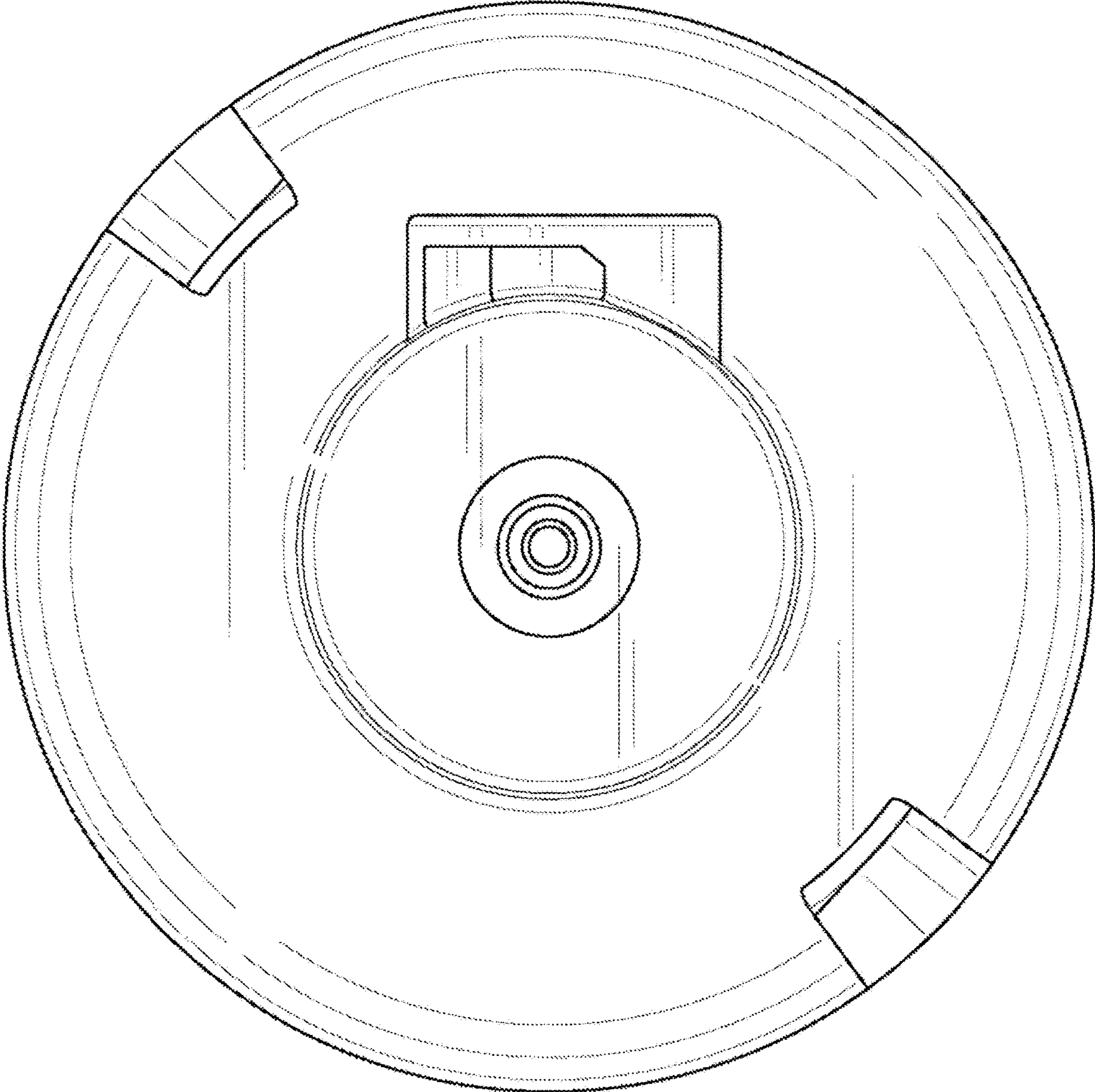


Fig. 6

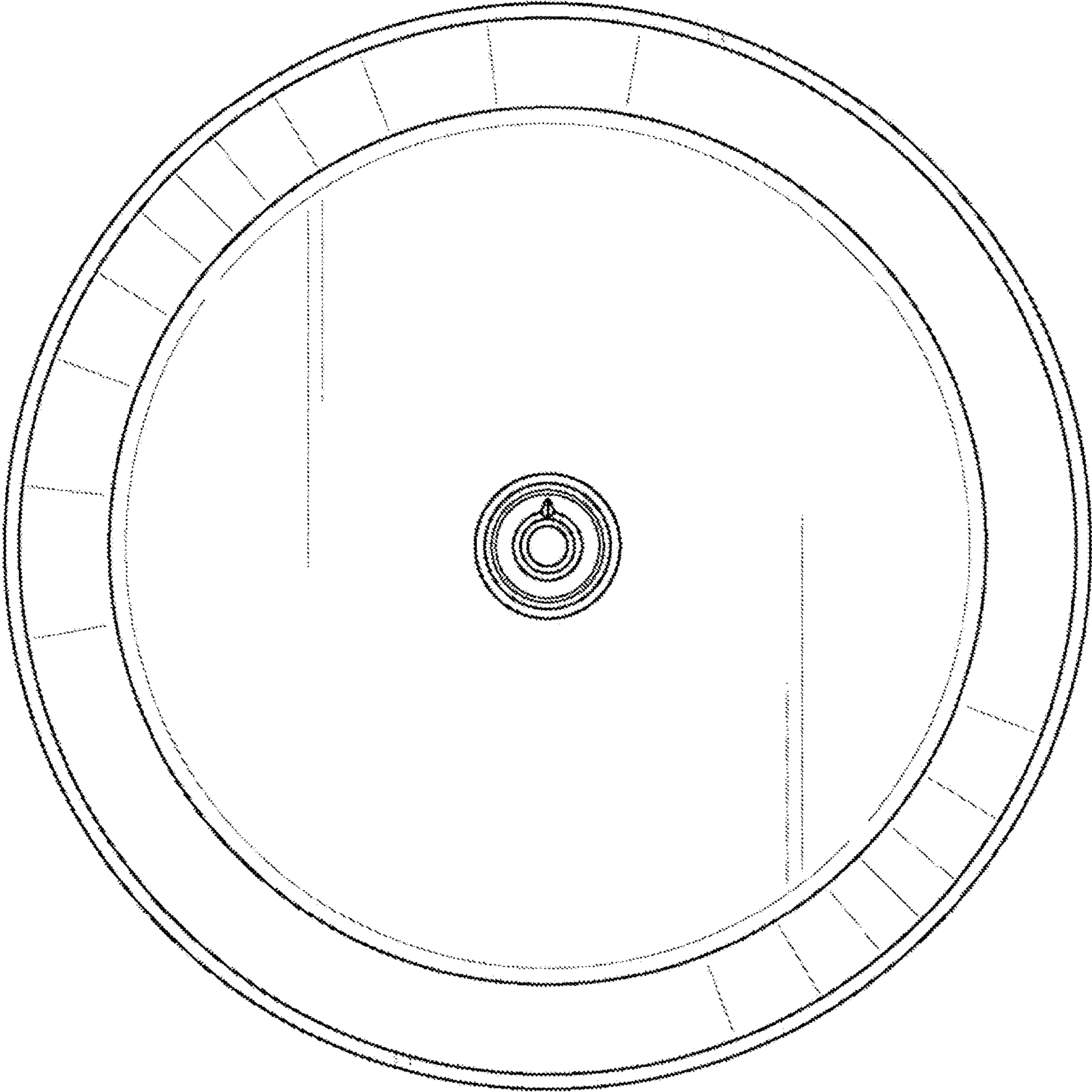


Fig. 7

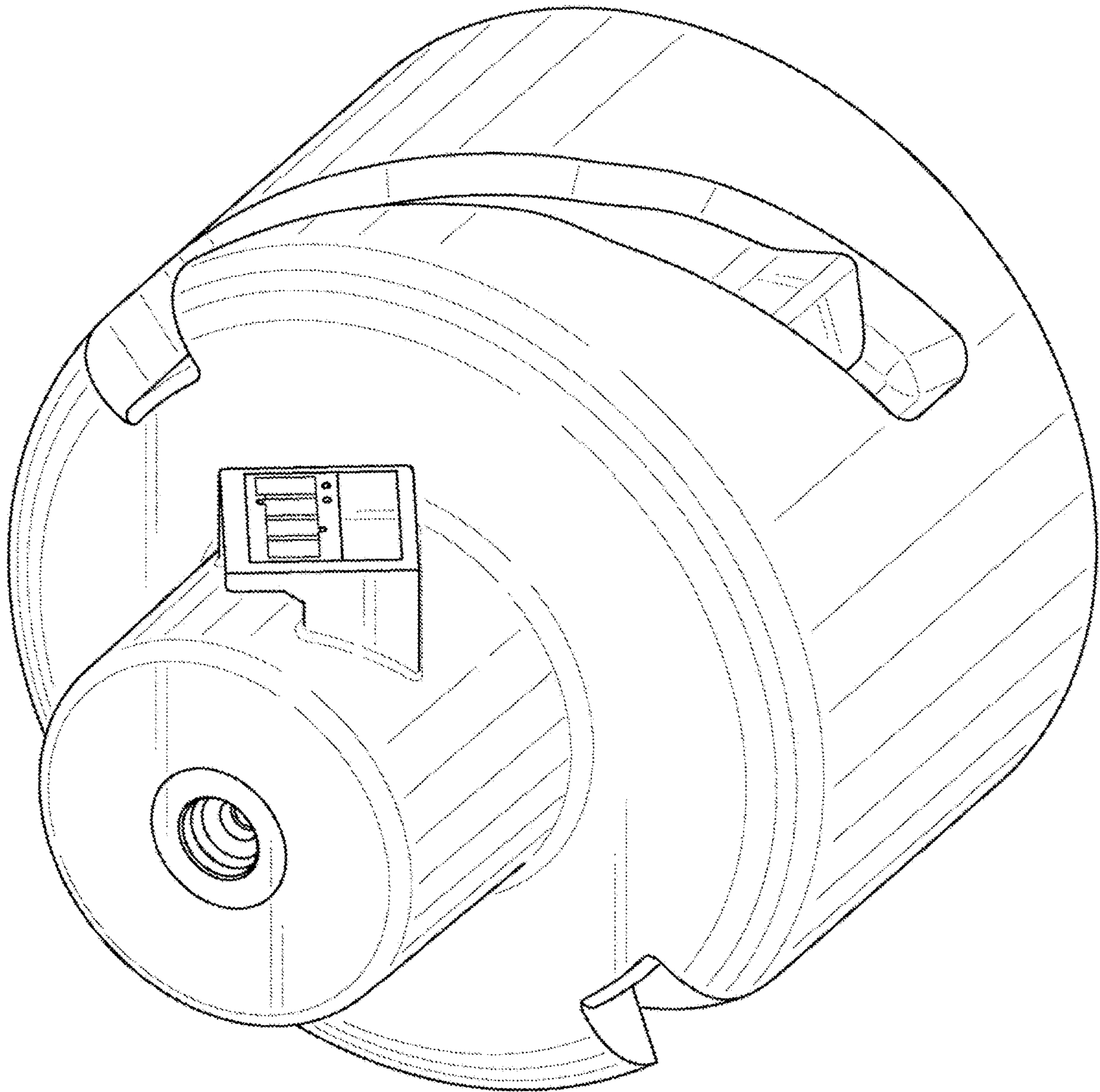


Fig. 8

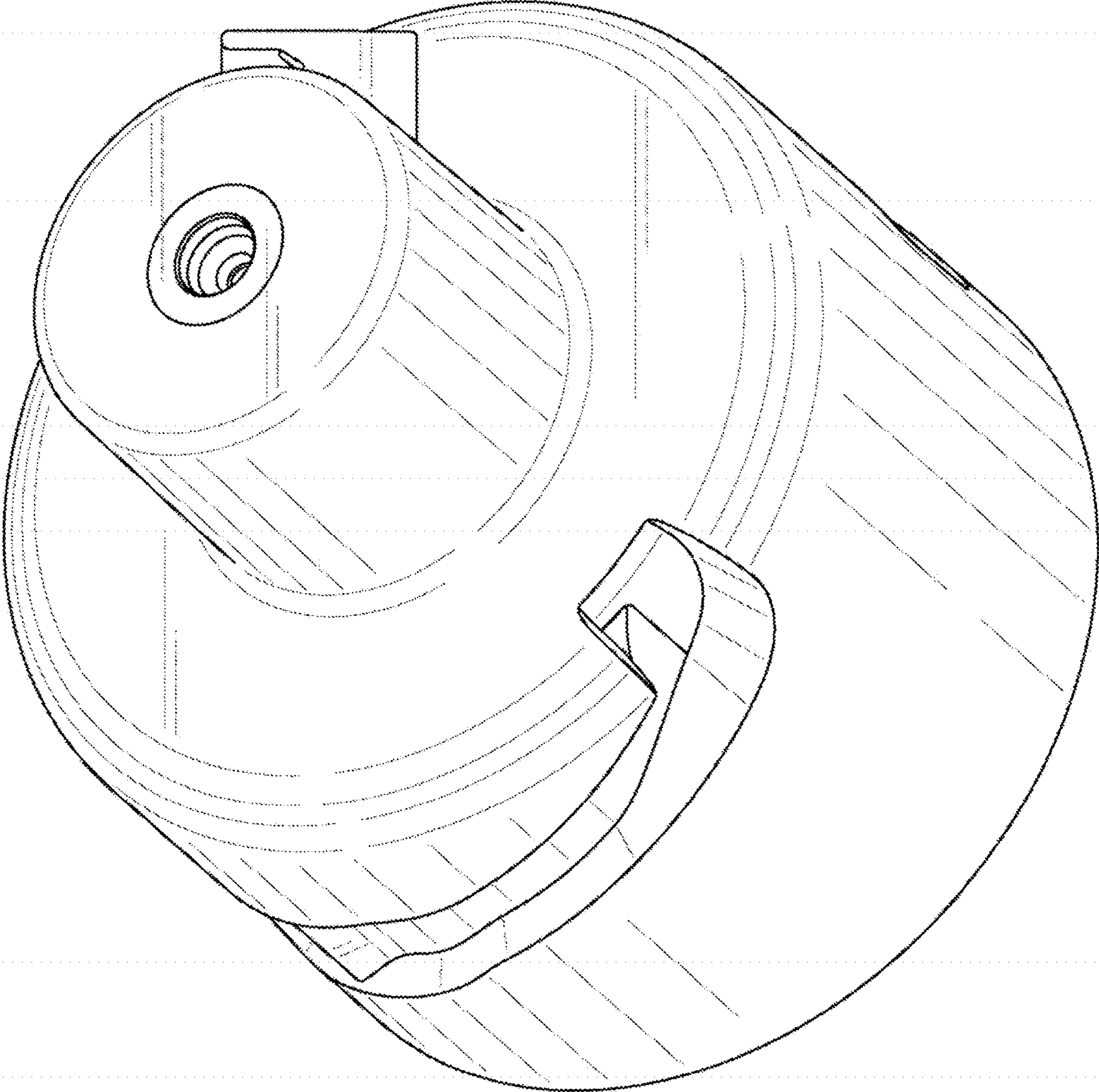


Fig. 9

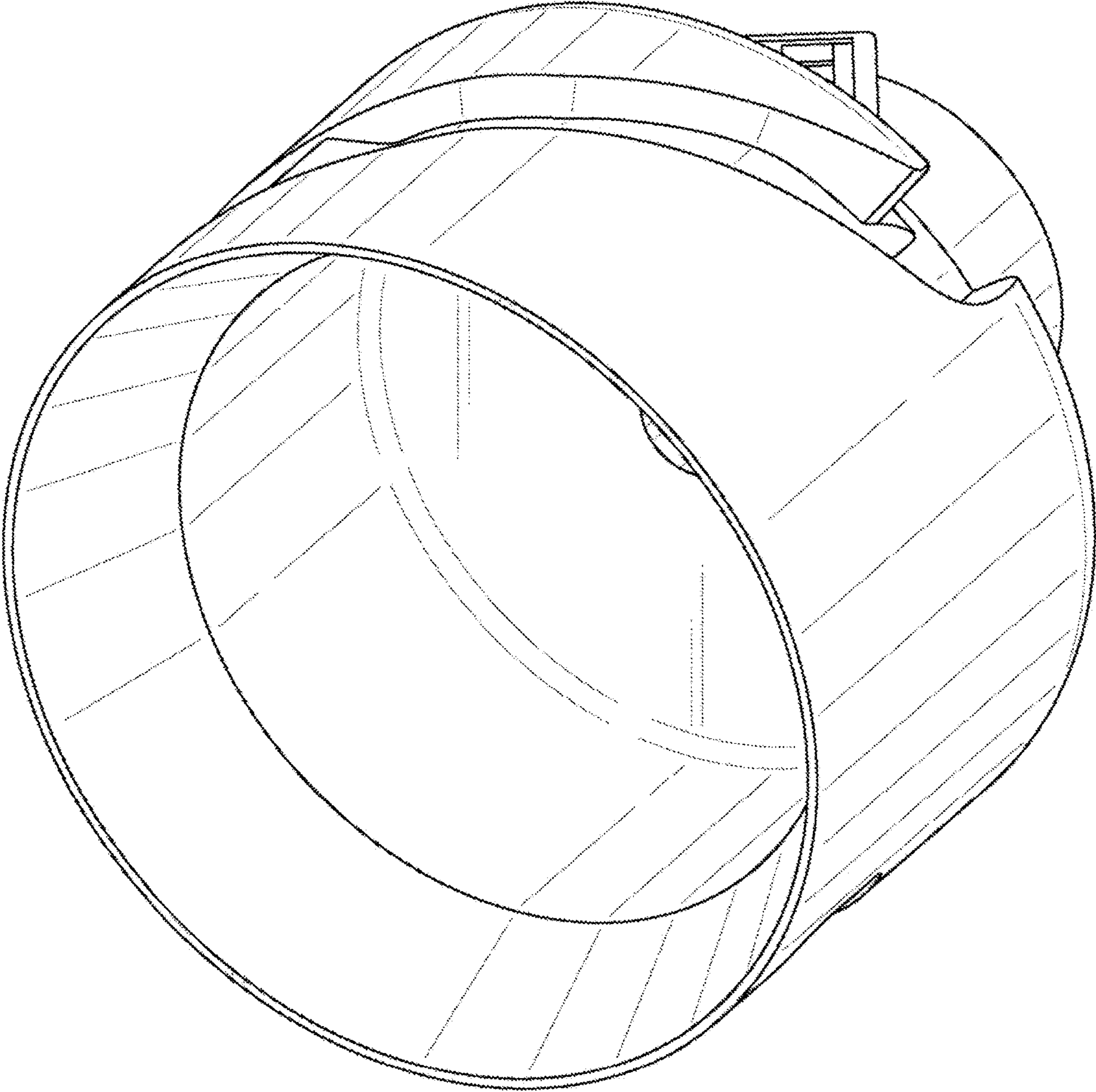


Fig. 10

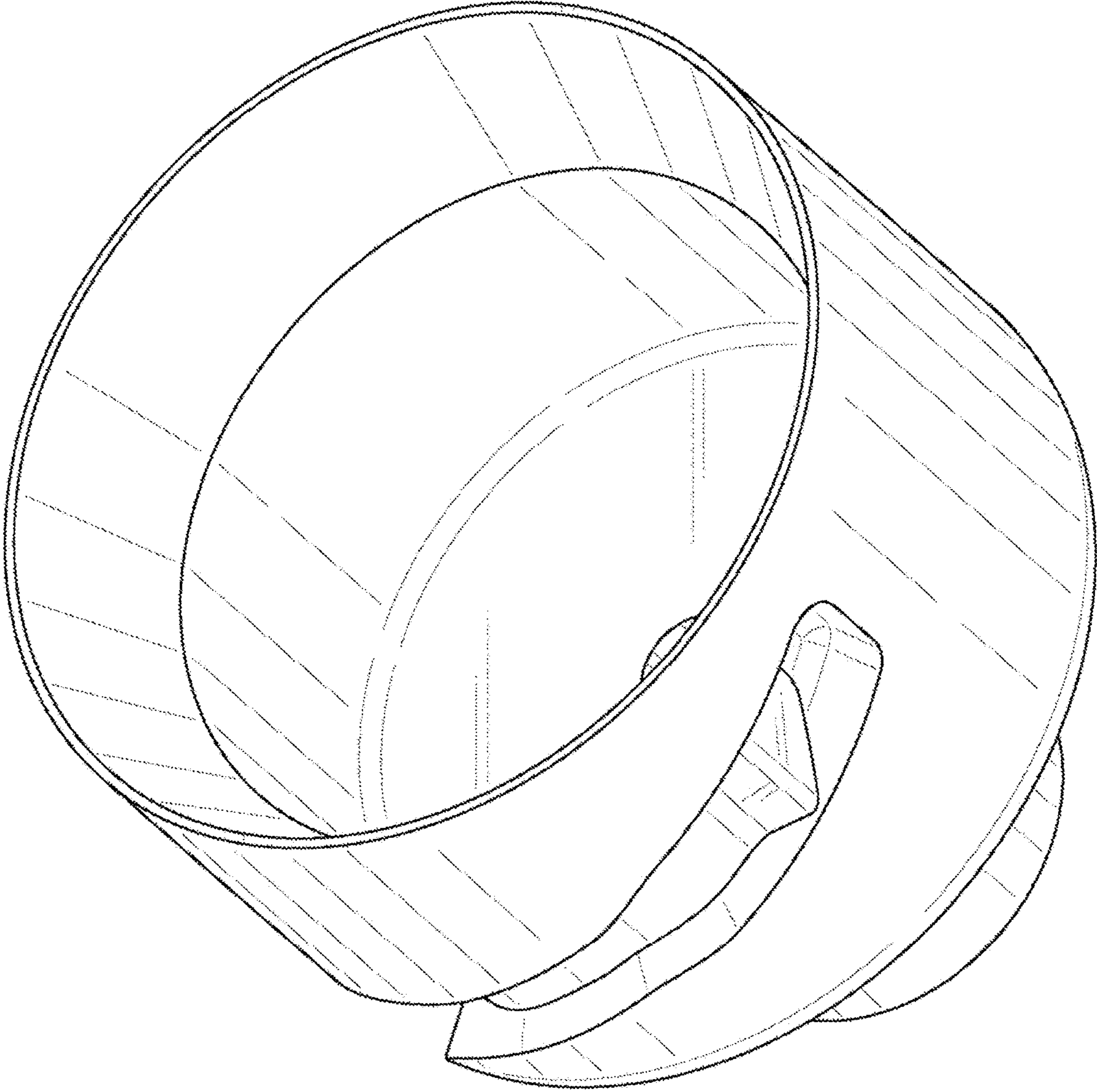


Fig. 11

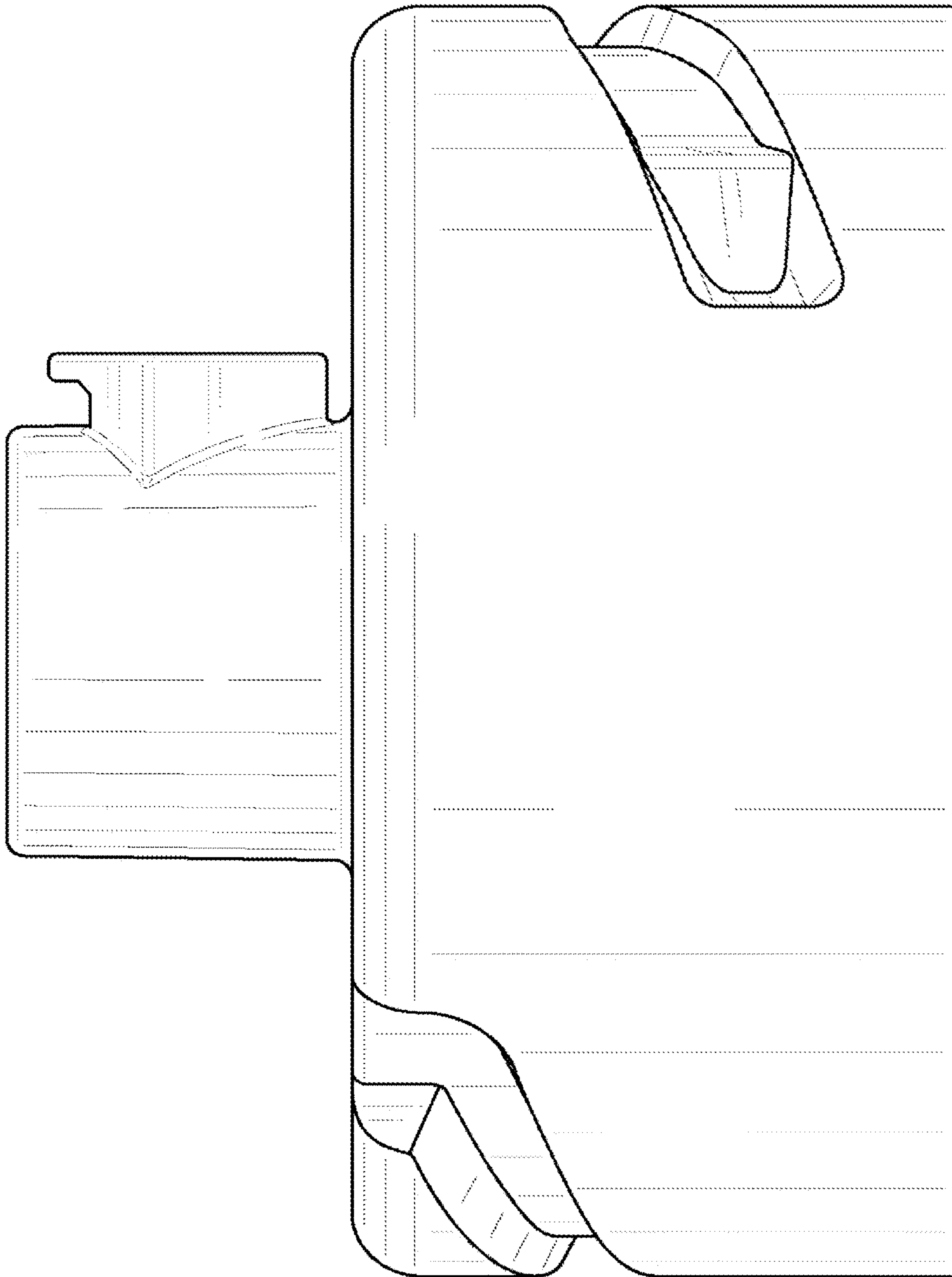


Fig. 12

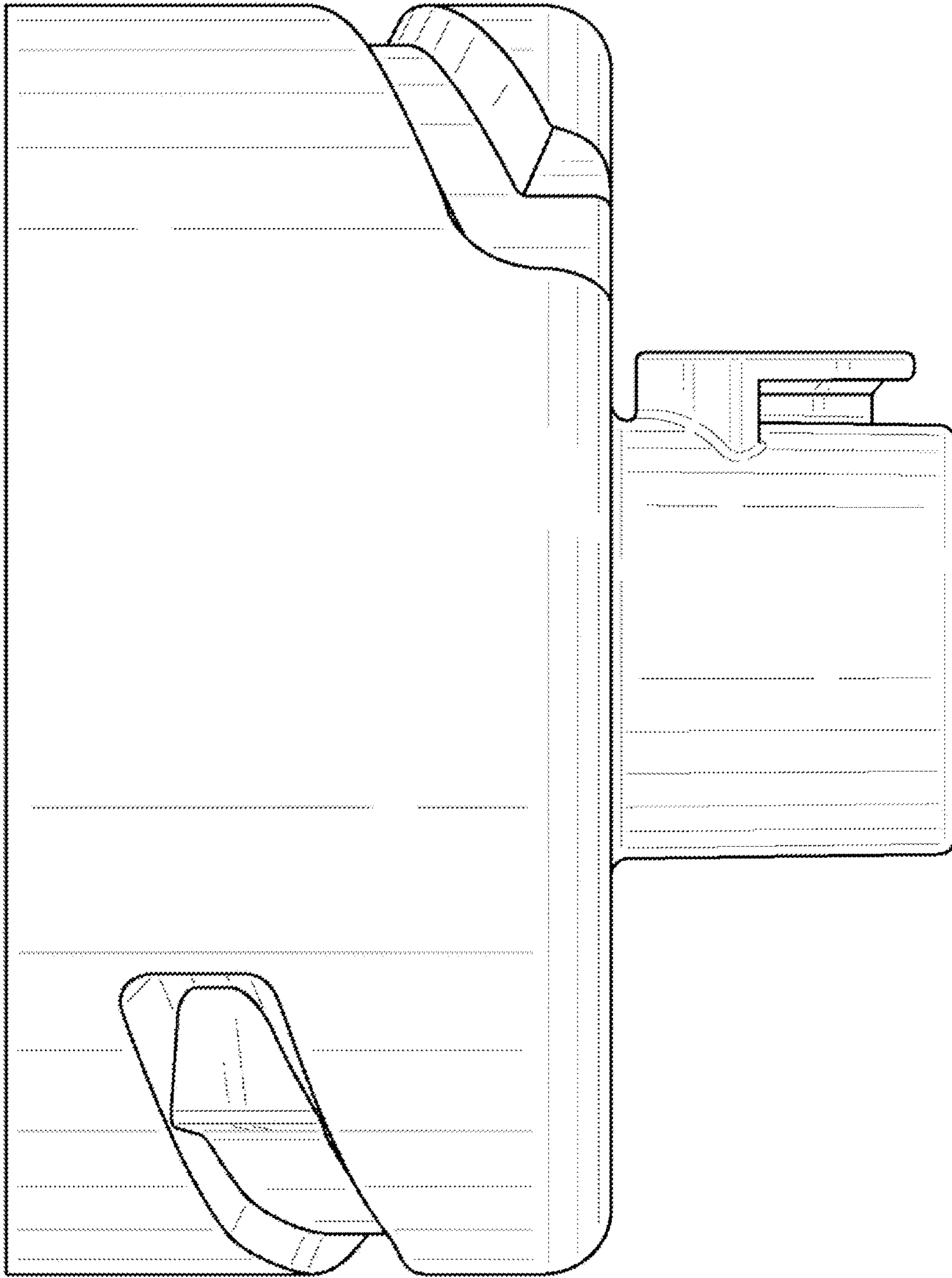


Fig. 13

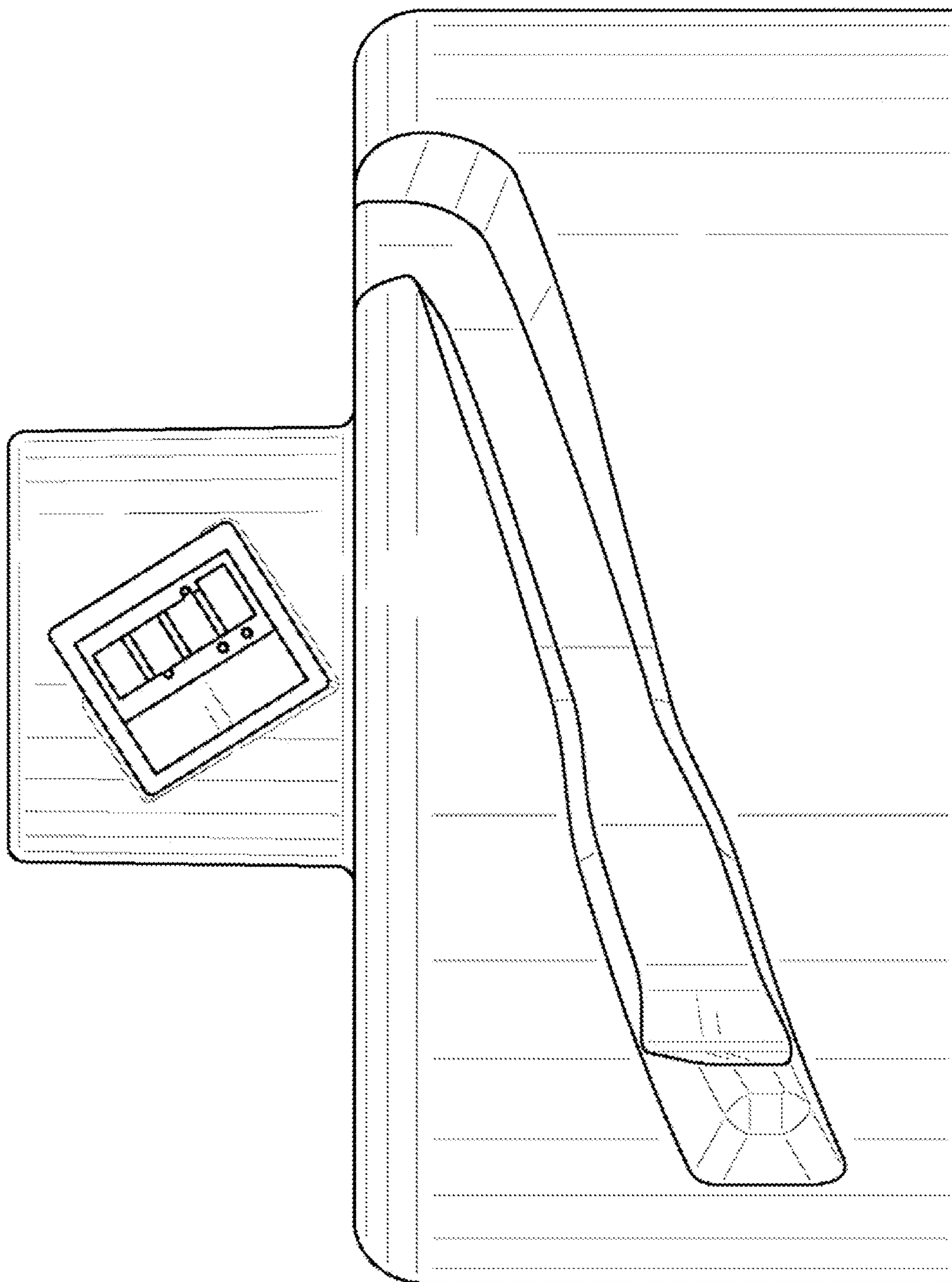


Fig. 14

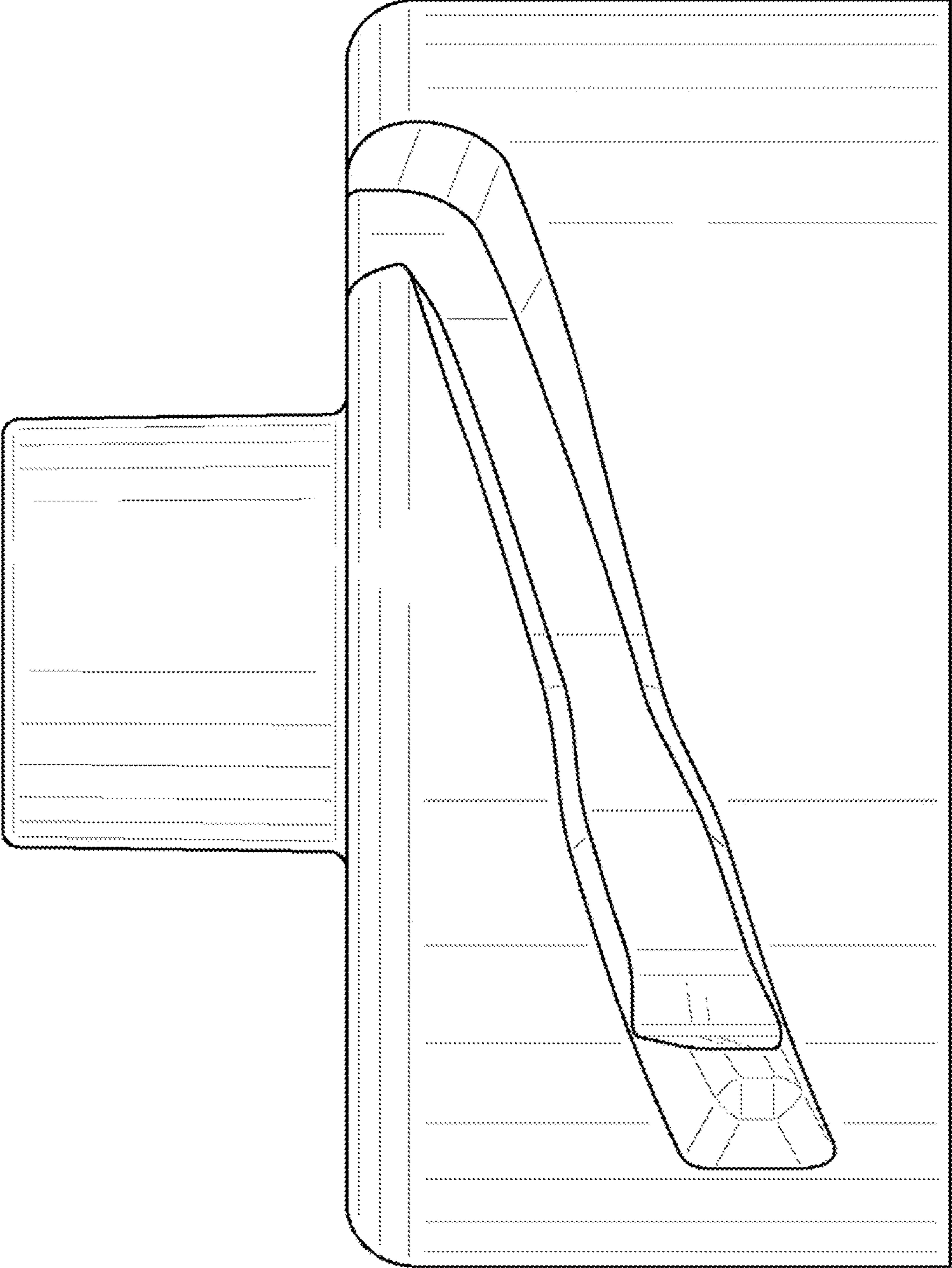


Fig. 15

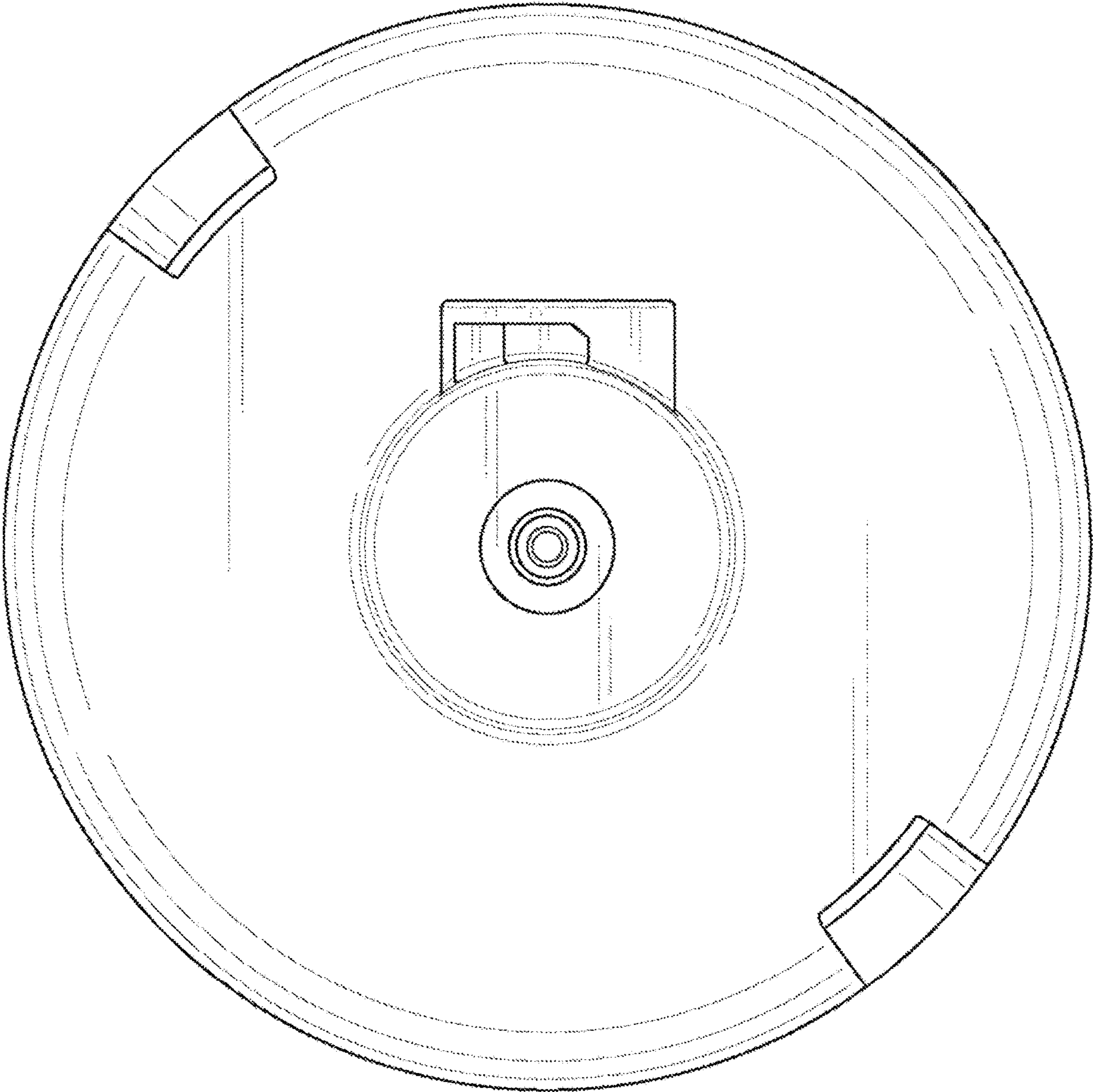


Fig. 16

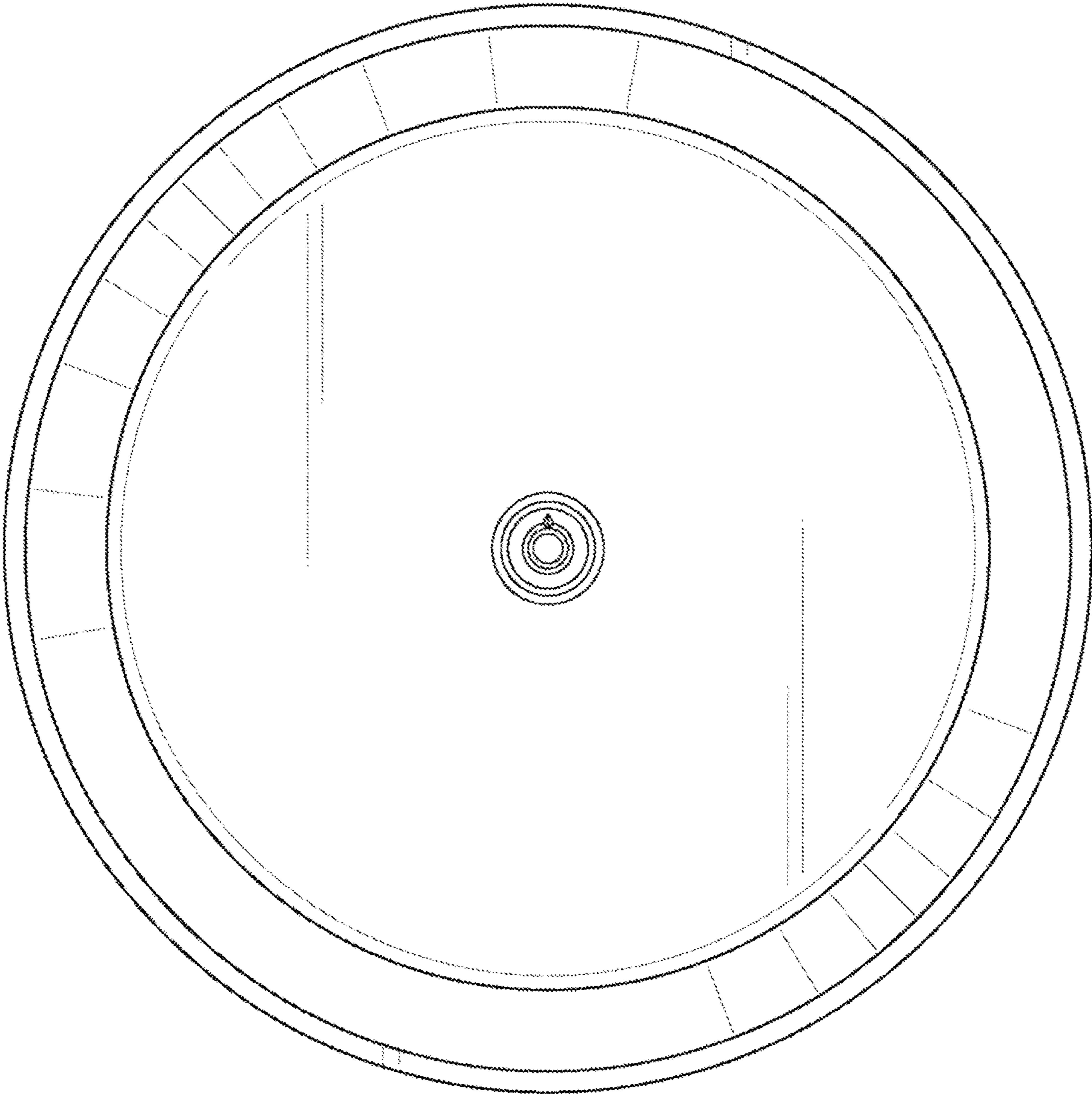


Fig. 17

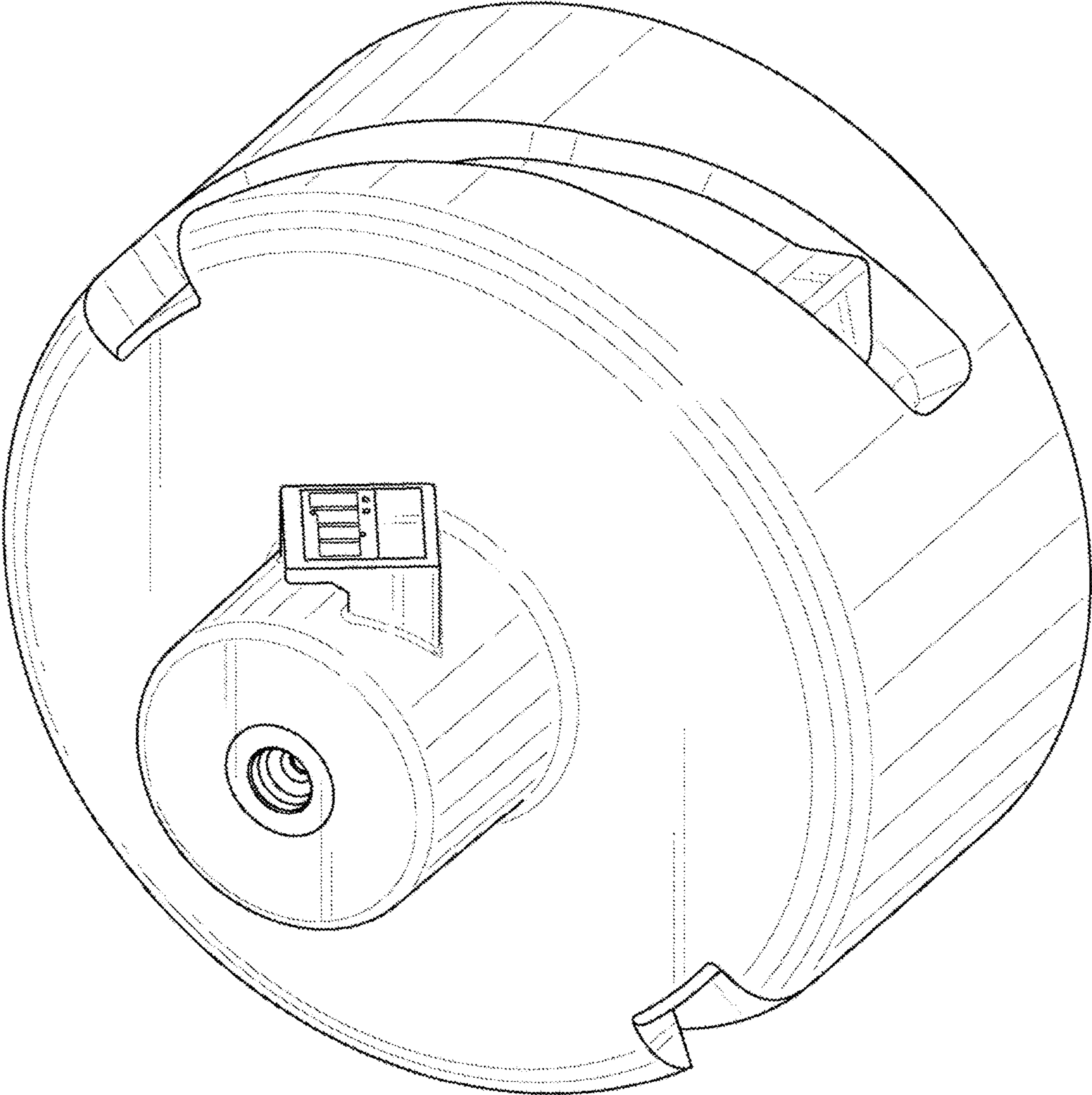


Fig. 18

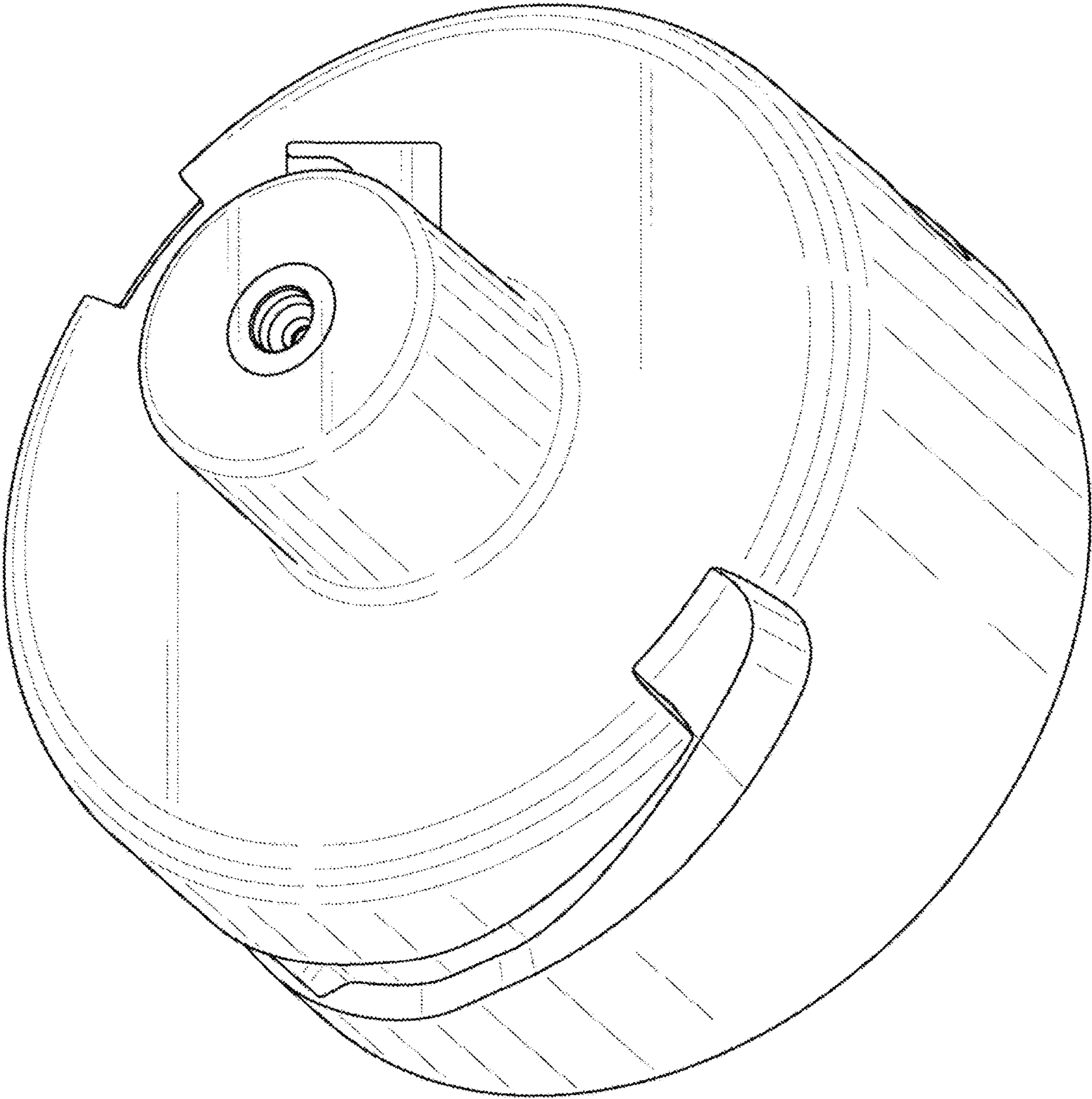


Fig. 19

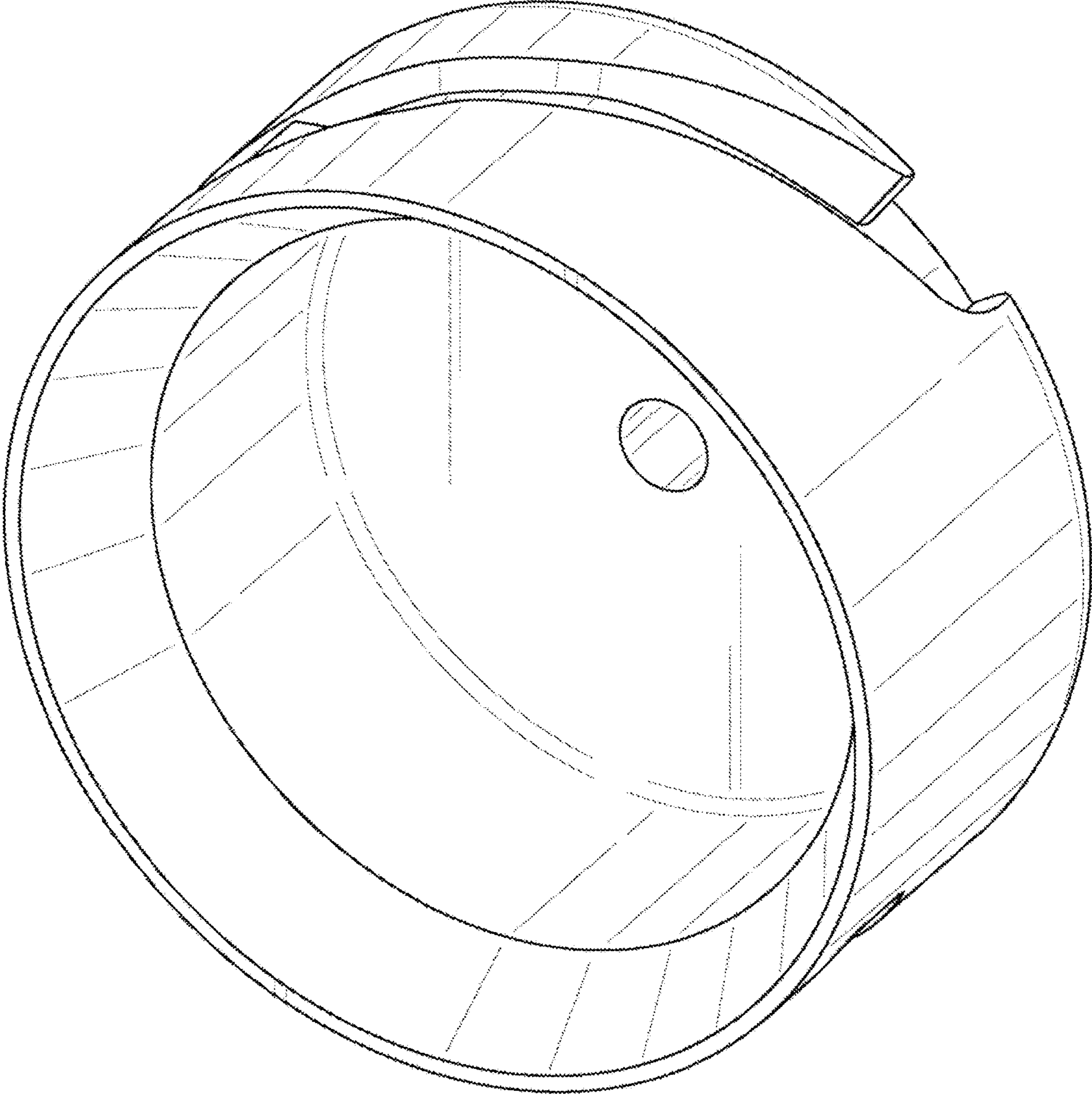


Fig. 20

