



US00D906413S

(12) **United States Design Patent** (10) **Patent No.:** **US D906,413 S**
Cheng et al. (45) **Date of Patent:** **** Dec. 29, 2020**

(54) **POINT OF SALE APPARATUS**

FOREIGN PATENT DOCUMENTS

(71) Applicants: **Chen-Hsien Cheng**, Taipei (TW);
Li-Fang Chen, Taipei (TW);
Ching-Hua Li, Taipei (TW);
Cheng-Min Chen, Taipei (TW)

CN 304450222 1/2018

(72) Inventors: **Chen-Hsien Cheng**, Taipei (TW);
Li-Fang Chen, Taipei (TW);
Ching-Hua Li, Taipei (TW);
Cheng-Min Chen, Taipei (TW)

OTHER PUBLICATIONS

uPOS _ iF World Design Guide. (online). 4 pgs. 2018. [retrieved Feb. 4, 2020] https://ifworlddesignguide.com/entry/229284-upos.*

(Continued)

(73) Assignee: **COMPAL ELECTRONICS, INC.**,
Taipei (TW)

Primary Examiner — Marie D. Fast Horse

(74) *Attorney, Agent, or Firm* — JCIPRNET

(**) Term: **15 Years**

(57) **CLAIM**

(21) Appl. No.: **29/634,652**

The ornamental design for a point of sale apparatus, as shown and described.

(22) Filed: **Jan. 24, 2018**

(51) **LOC (12) Cl.** **18-01**

(52) **U.S. Cl.**

USPC **D18/12; D18/4.4**

(58) **Field of Classification Search**

USPC D18/4.4, 4.5, 4.6, 2, 11, 12, 12.3, 50, 14,
D18/19–21, 54, 99, 4.1, 4.3; D14/300,
D14/307, 314, 328, 332–340, 356, 383,
D14/385, 386, 434, 447, 451, 453, 457,
D14/496, 507, 509, 510, 168, 299, 900,
D14/902; D10/46, 61, 62, 70, 104.1,
D10/104.2, 106.2, 106.6, 65, 66; D20/1,
D20/8, 9; D99/28, 43

CPC H04W 8/22; H04W 52/0225; H04W
52/0254; G06Q 20/00; G06Q 20/08;
G06Q 20/20; G07F 7/0873; G07F 7/088;
G07G 1/0009; G07G 1/0018

See application file for complete search history.

DESCRIPTION

FIG. 1 is a perspective view of a point of sale apparatus showing our new design;

FIG. 2 is a front view thereof;

FIG. 3 is a rear view thereof;

FIG. 4 is a left side view thereof;

FIG. 5 is a right side view thereof;

FIG. 6 is a top view thereof;

FIG. 7 is a bottom view thereof;

FIG. 8 is a perspective view of the point of sale apparatus in state A;

FIG. 9 is a left side view of the point of sale apparatus in state A;

FIG. 10 is a perspective view of the point of sale apparatus in state B; and,

FIG. 11 is a left side view of the point of sale apparatus in state B.

The broken lines in the drawings depict portions of the point of sale apparatus that form no part of the claimed design.

The unshaded areas adjacent to the solid lines form no part of the claimed design.

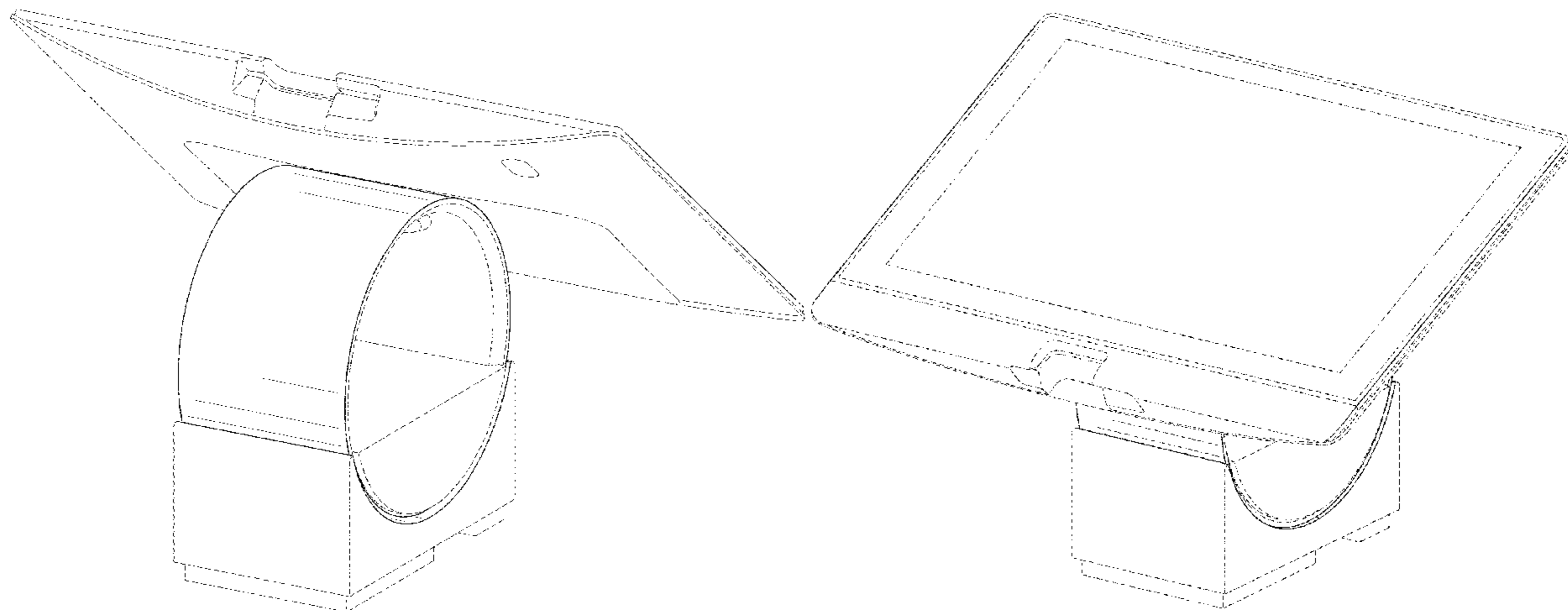
(56) **References Cited**

U.S. PATENT DOCUMENTS

D305,330 S * 1/1990 Walters, II D14/451
D345,966 S * 4/1994 Perez D18/4.5

(Continued)

1 Claim, 11 Drawing Sheets



(56)

References Cited

U.S. PATENT DOCUMENTS

D355,437 S * 2/1995 Reph D18/4.6
 D360,196 S * 7/1995 Cox D18/4.5
 D375,085 S * 10/1996 Kellar D14/371
 D393,277 S * 4/1998 Ohki D18/4.4
 D435,840 S * 1/2001 Ishibashi D14/168
 D439,901 S * 4/2001 Ono D14/375
 6,227,518 B1 * 5/2001 Sun F16M 11/10
 248/371
 D487,094 S * 2/2004 Serbinski D14/451
 D491,216 S * 6/2004 Ookushi D18/12.3
 D492,718 S * 7/2004 Ookushi D18/12.3
 D493,468 S * 7/2004 Serbinski D14/451
 D494,978 S * 8/2004 Pfister D14/432
 D502,727 S * 3/2005 Slinckx D18/4.6
 D514,115 S * 1/2006 Serbinski D14/451
 7,017,803 B2 * 3/2006 Ichikawa G07G 1/0018
 235/379
 D526,003 S * 8/2006 Shih D18/4.5
 D588,186 S * 3/2009 Yamakawa D18/4.5
 D598,459 S * 8/2009 Gillespie D14/451
 D687,832 S * 8/2013 Edwards D14/447
 9,046,215 B2 * 6/2015 Wang F16M 11/041
 D739,853 S * 9/2015 Lee D14/253
 D740,295 S * 10/2015 Alegiani D14/453
 D757,732 S * 5/2016 Galanti D14/453
 D762,258 S * 7/2016 Jenkins D18/4.5
 D763,346 S * 8/2016 Jenkins D18/4.5

D771,031 S * 11/2016 Ou D14/253
 D776,819 S * 1/2017 Vybornov D24/160
 D792,413 S * 7/2017 Floersch D14/447
 D809,449 S * 2/2018 Zhang D14/253
 D811,412 S * 2/2018 McCurdy D14/440
 D820,266 S * 6/2018 Li D14/434
 D823,857 S * 7/2018 Chen D14/447
 D831,107 S * 10/2018 Chen D18/12
 D857,696 S * 8/2019 Oh D14/383
 10,470,564 B2 * 11/2019 Li A47B 19/06
 2004/0001305 A1 * 1/2004 Chuang G06F 1/1632
 361/679.3
 2013/0026314 A1 * 1/2013 Hu F16M 11/041
 248/157
 2013/0146625 A1 * 6/2013 Karle A45F 5/00
 224/217
 2017/0140615 A1 * 5/2017 Larnac G07G 1/0018
 2020/0018437 A1 * 1/2020 Chen F16M 13/00

OTHER PUBLICATIONS

Point-of-sale terminals . (Design—© Questel) orbit.com. [online PDF] 53 pgs. Print Dates range from Nov. 29, 2004 through Nov. 8, 2019. [retrieved Feb. 7, 2020] <https://www.orbit.com/export/QPTUJ214/pdf2/33a15252-b654-49fc-95cf-60db28c19d27-185524.pdf>.
 “Office Action of Taiwan Counterpart Application,” dated Mar. 7, 2019, p. 1-p. 4.

* cited by examiner

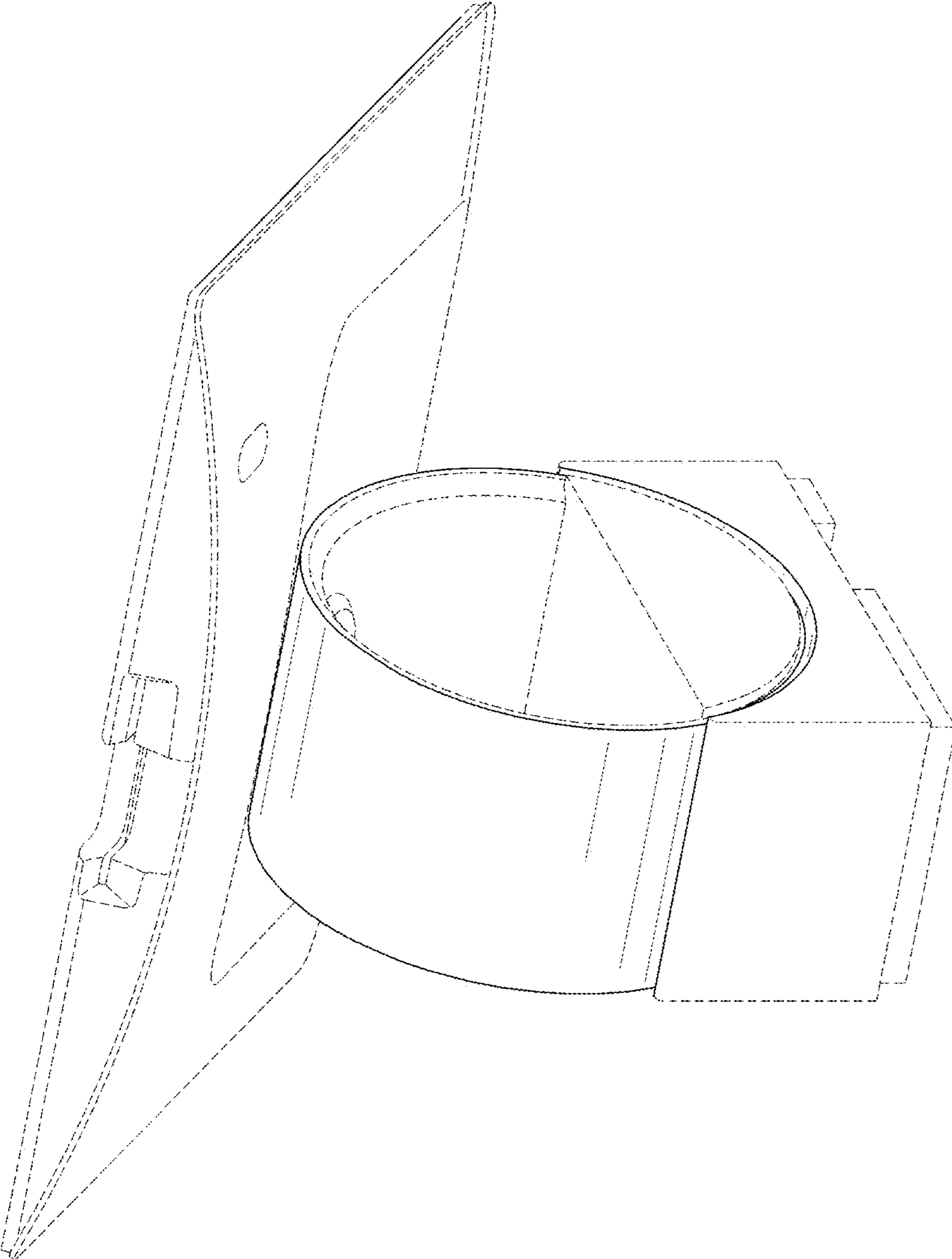


FIG. 1

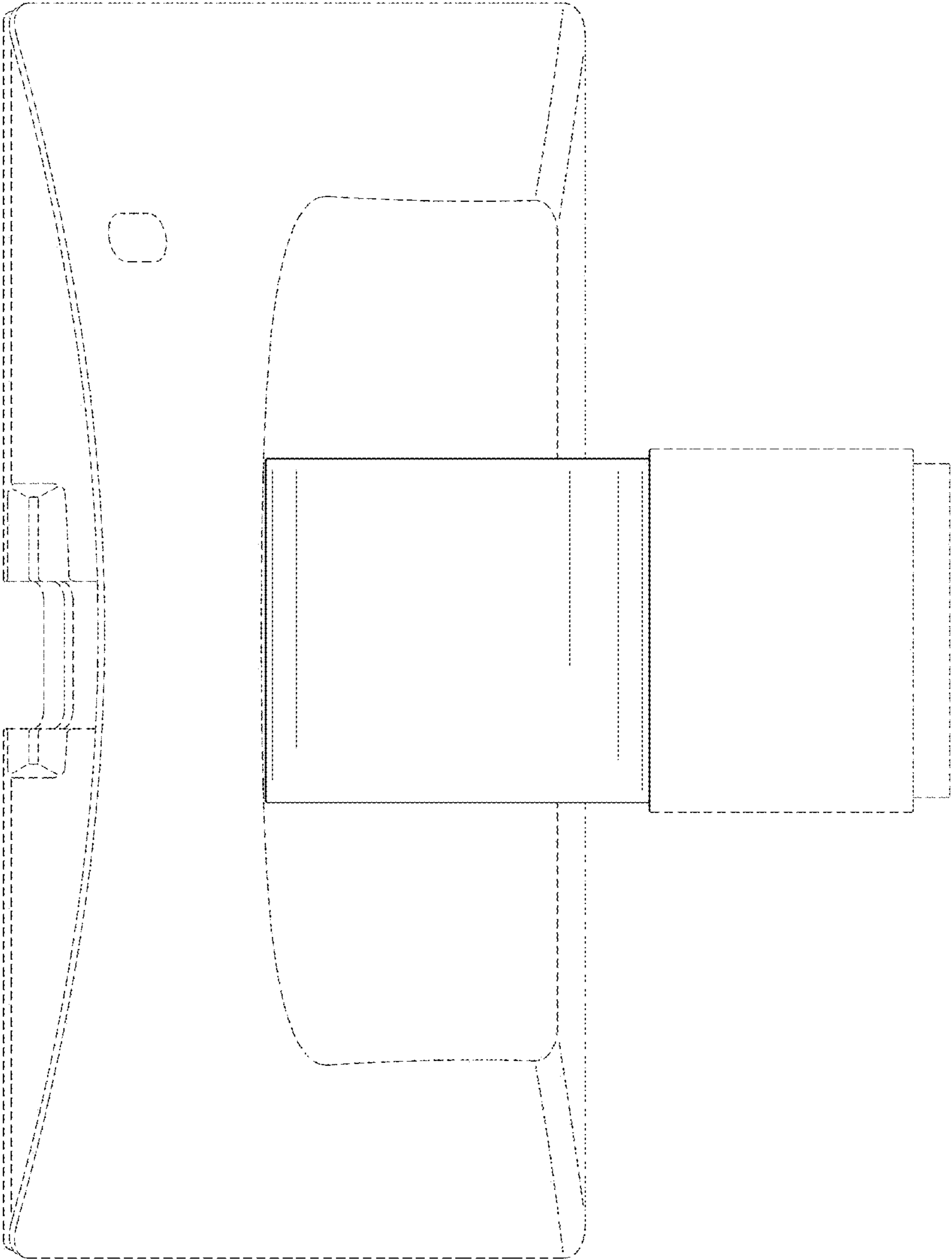


FIG. 2

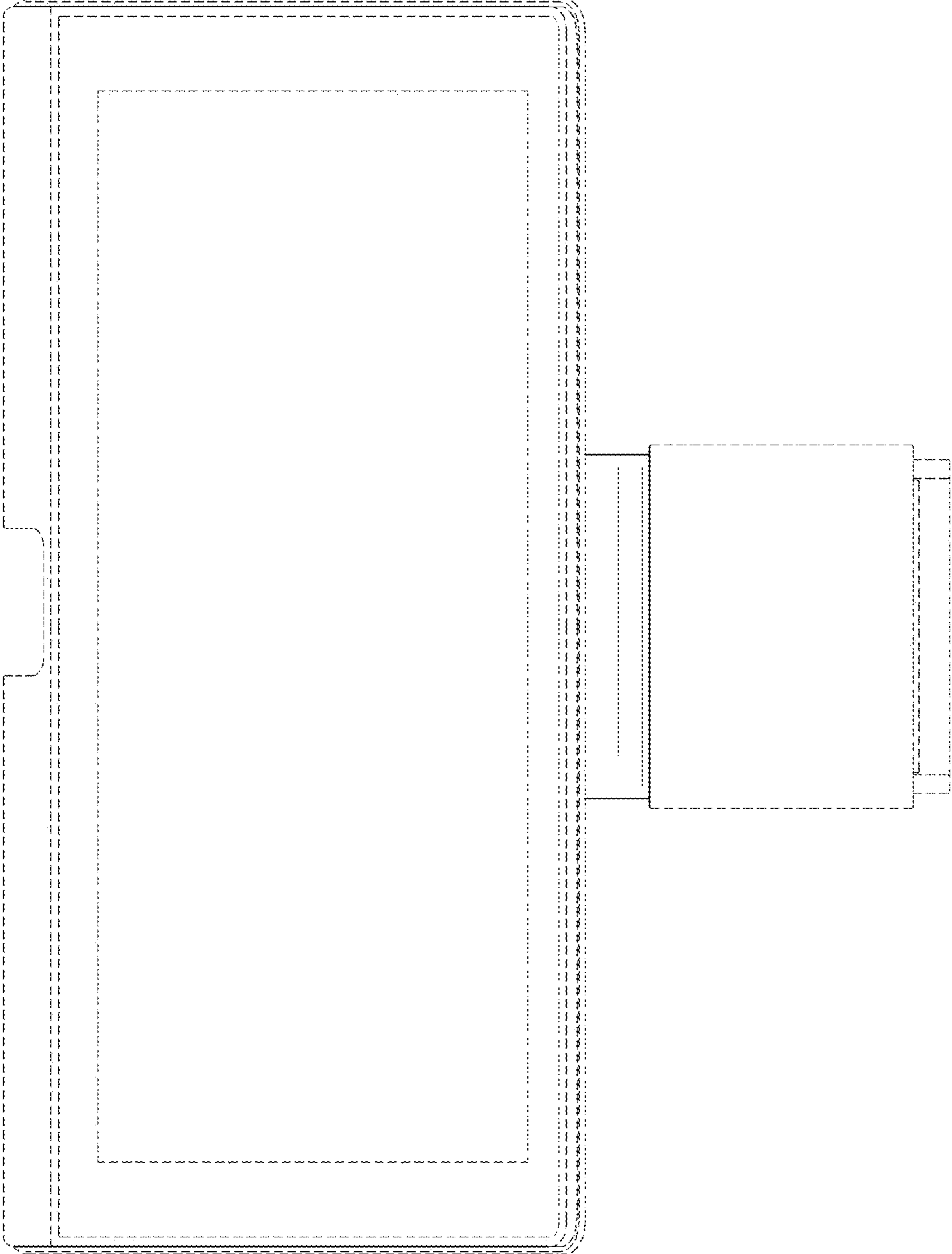


FIG. 3

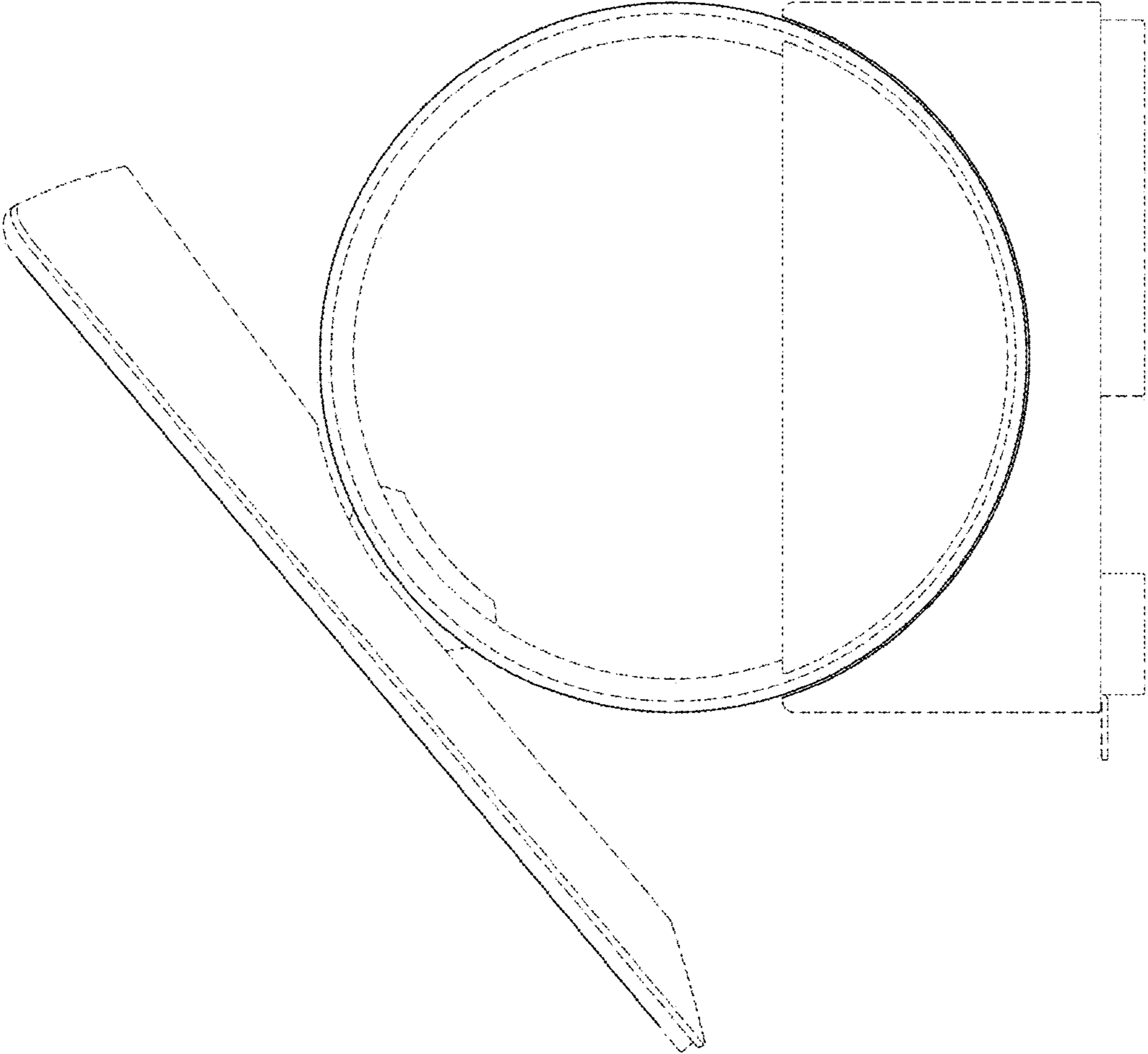


FIG. 4

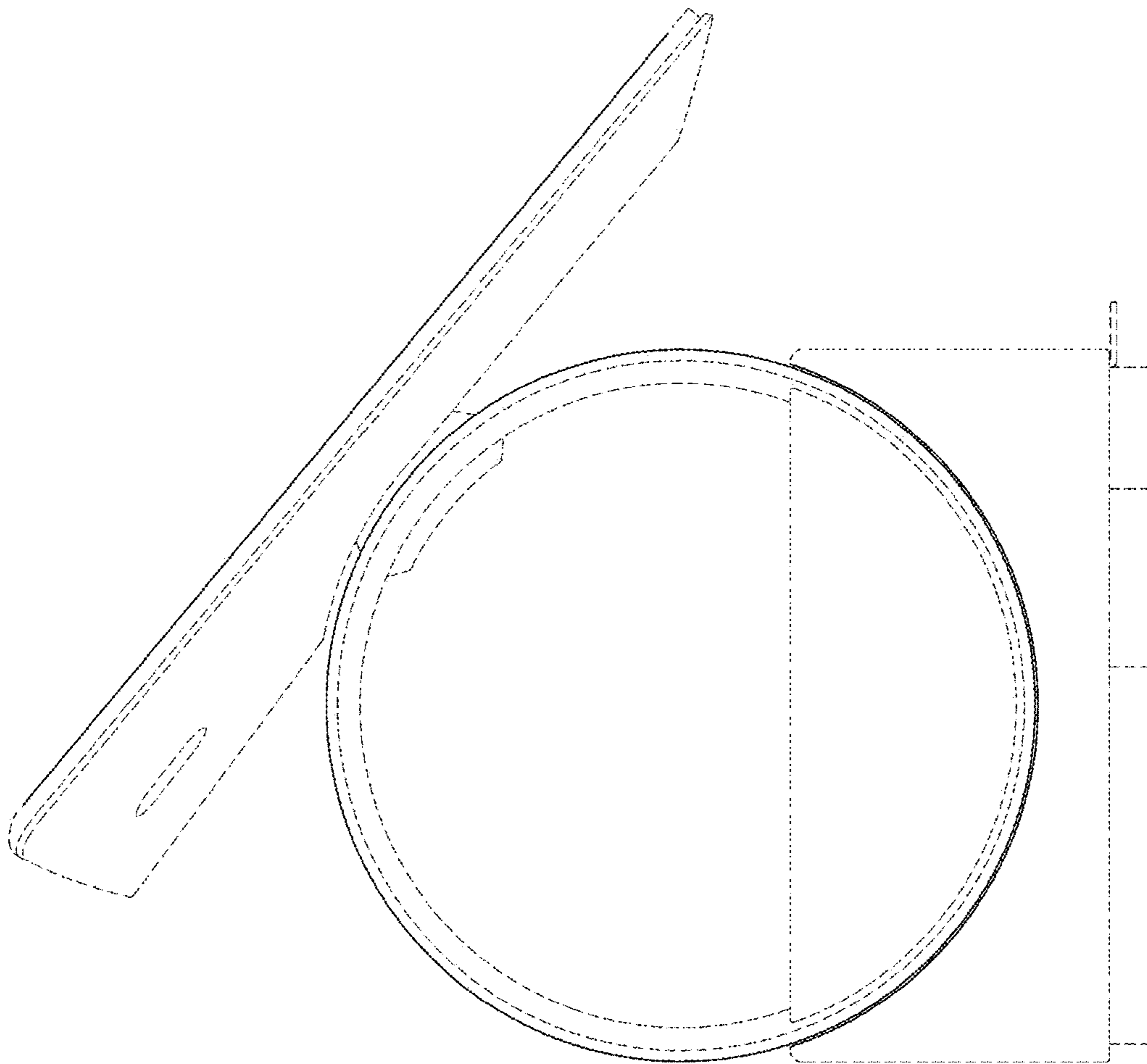


FIG. 5

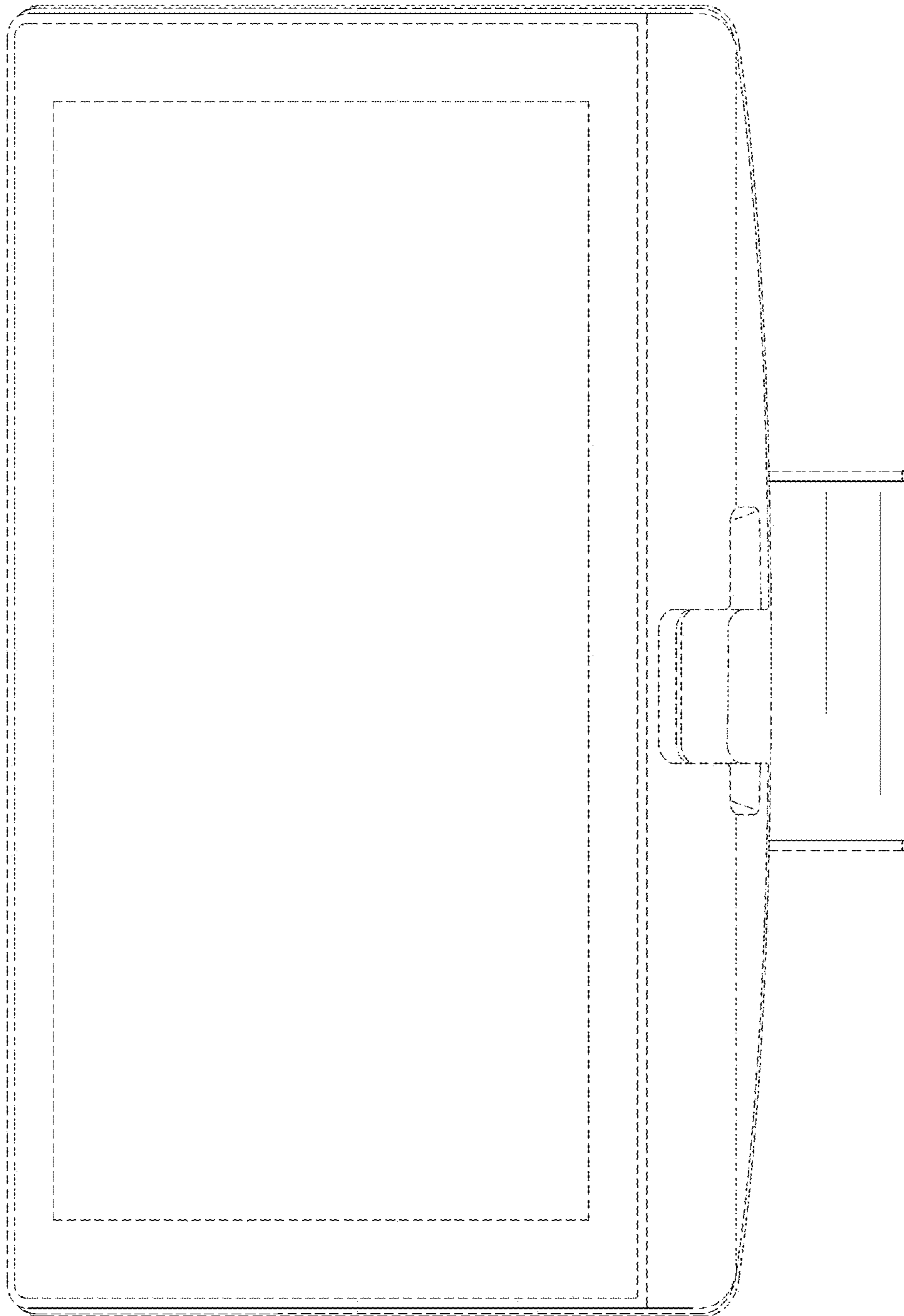


FIG. 6

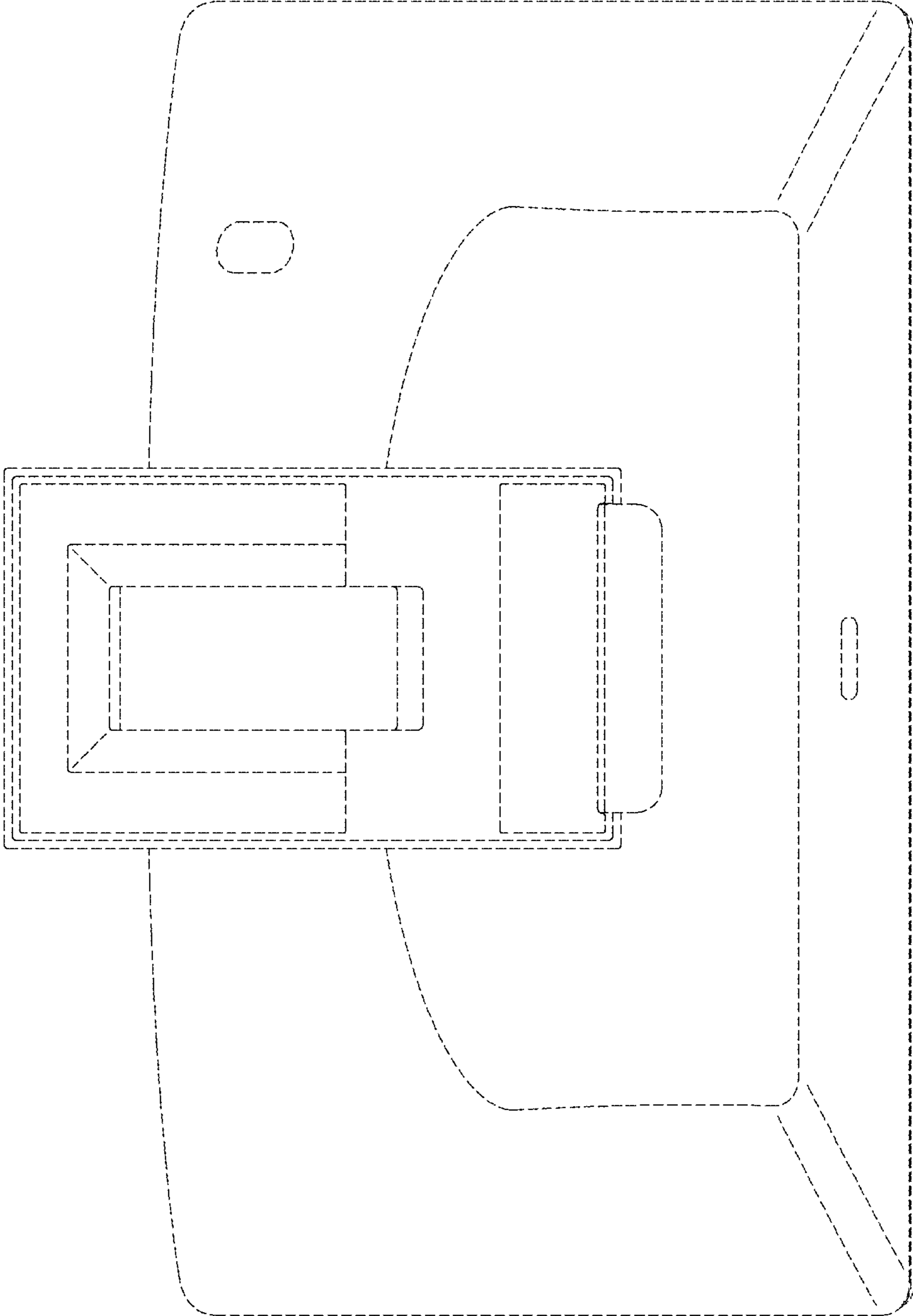


FIG. 7

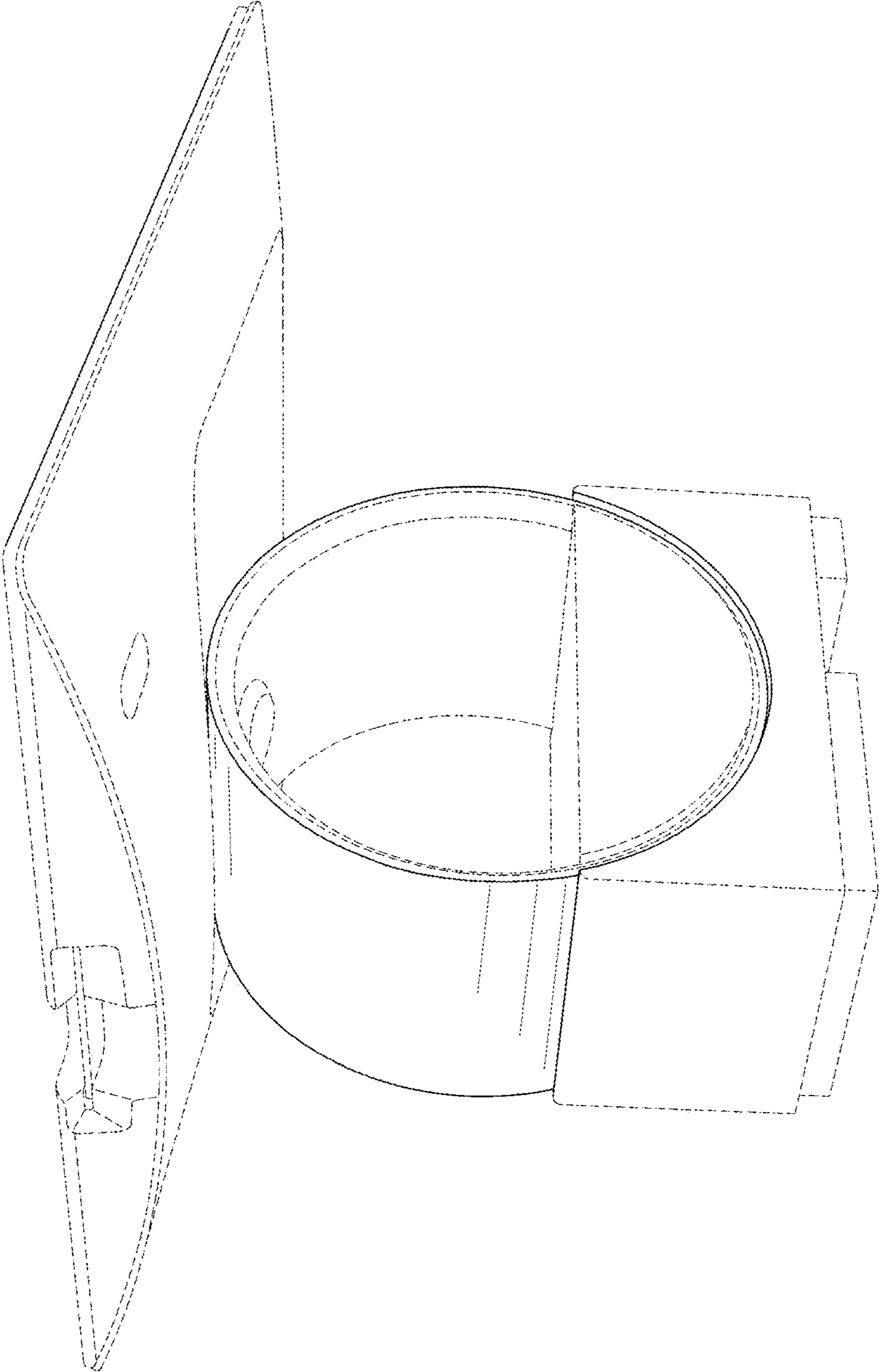


FIG. 8

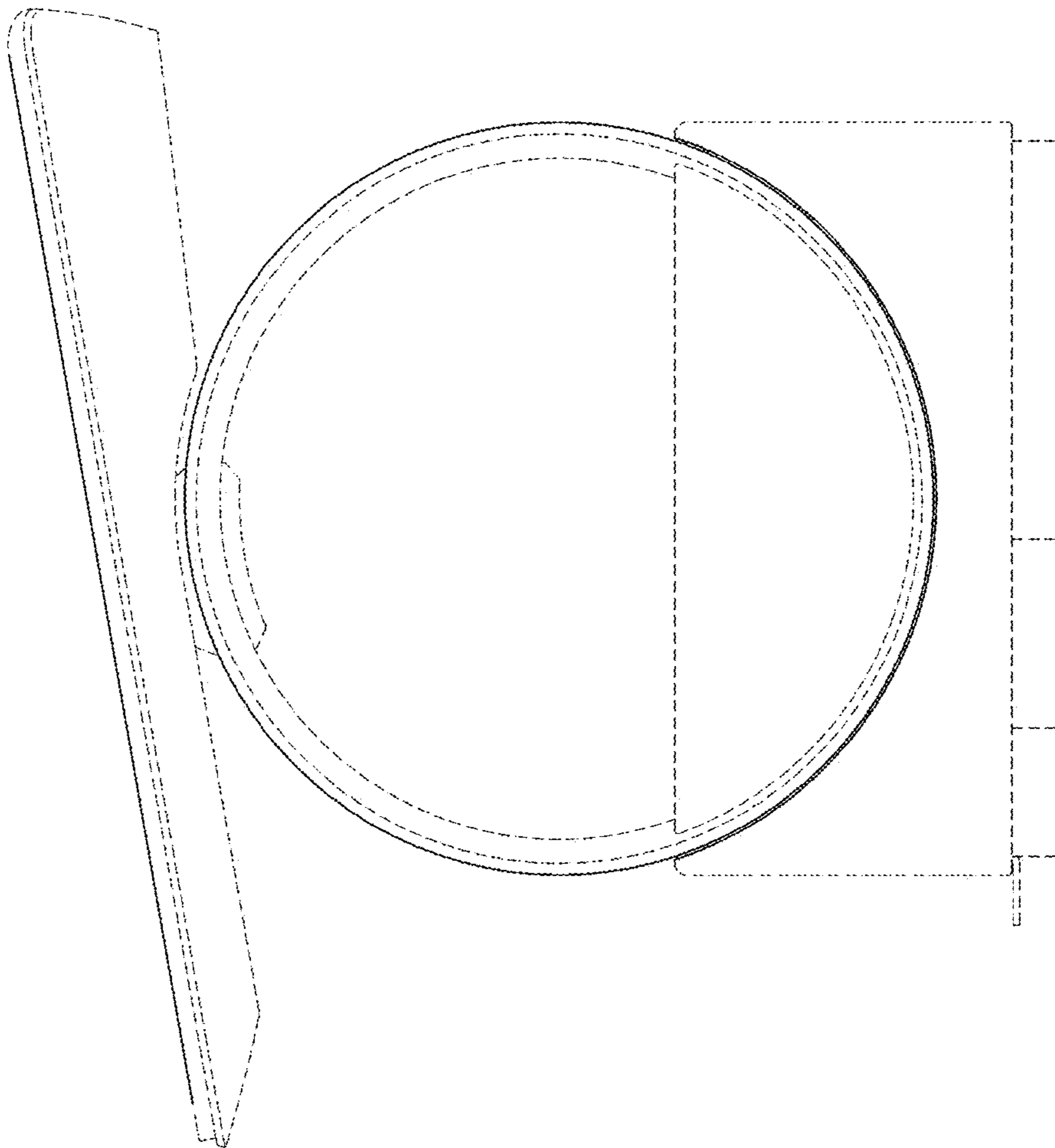


FIG. 9

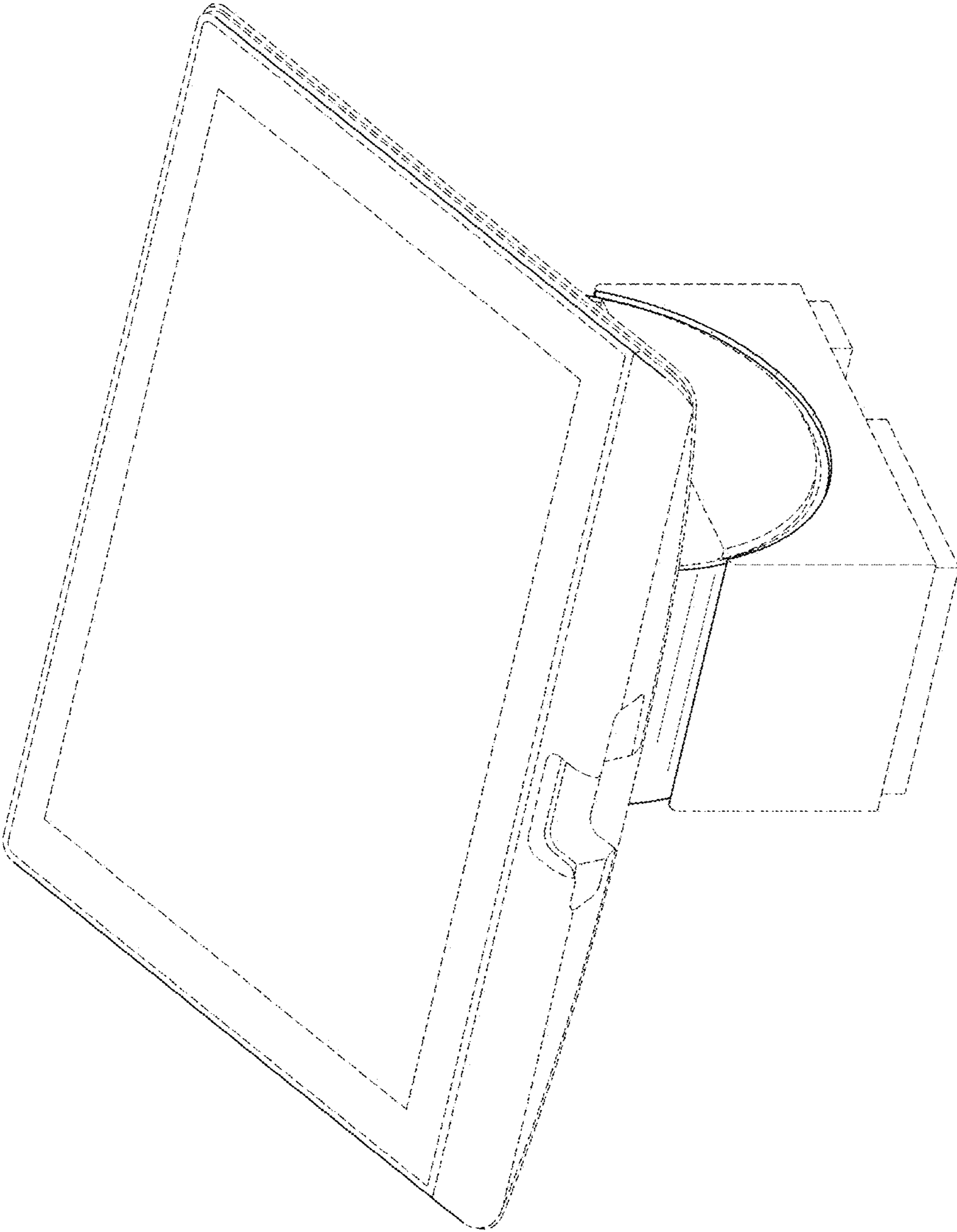


FIG. 10

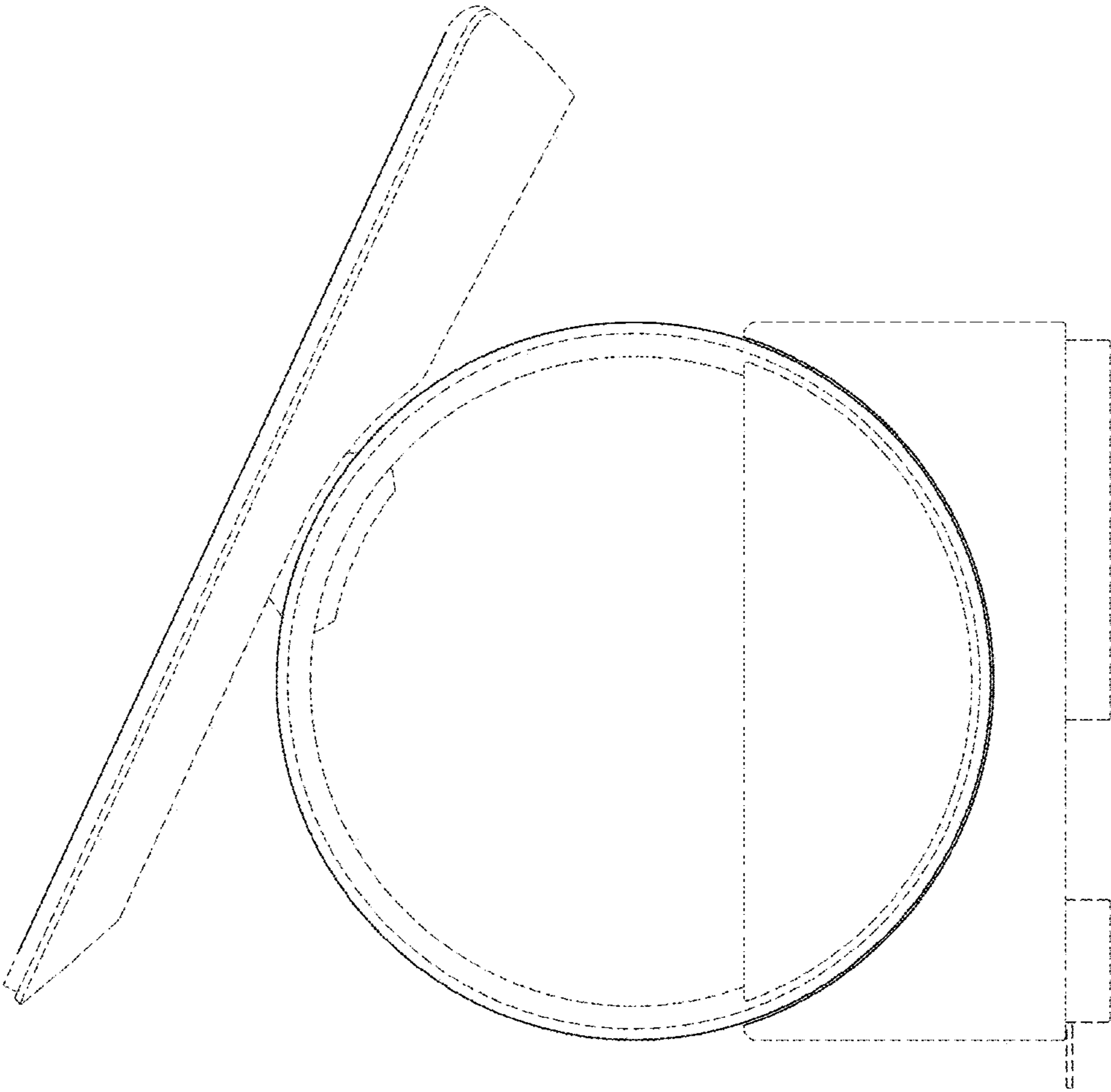


FIG. 11