



US00D906412S

(12) **United States Design Patent**  
**Liao**

(10) **Patent No.:** **US D906,412 S**

(45) **Date of Patent:** **\*\* Dec. 29, 2020**

(54) **STAND FOR FOOT PEDAL**

(71) Applicant: **Tsun-Chi Liao**, Taichung (TW)

(72) Inventor: **Tsun-Chi Liao**, Taichung (TW)

(\*\*) Term: **15 Years**

(21) Appl. No.: **29/691,629**

(22) Filed: **May 17, 2019**

(51) **LOC (12) Cl.** ..... **17-99**

(52) **U.S. Cl.**  
USPC ..... **D17/99**

(58) **Field of Classification Search**  
USPC ..... D17/20, 22, 99  
CPC ... G10D 13/11; G10D 99/00; G10H 2210/231  
See application file for complete search history.

(56) **References Cited**

**U.S. PATENT DOCUMENTS**

5,646,360	A *	7/1997	Liao	.....	G10D 13/11 84/422.1
D402,683	S *	12/1998	Brewster	.....	D17/22
5,962,799	A *	10/1999	Hsieh	.....	G10D 13/11 84/422.1
6,239,342	B1 *	5/2001	Chang	.....	G10D 13/11 84/422.1
7,812,237	B1 *	10/2010	Dunnett	.....	G10D 13/11 84/422.1

7,956,268 B1 \* 6/2011 Liao ..... G10D 13/11  
84/422.1

2015/0082968 A1 \* 3/2015 Sikra ..... G10D 13/11  
84/422.1

2019/0272809 A1 \* 9/2019 Lenz ..... G10D 13/11

\* cited by examiner

*Primary Examiner* — R. Johnson

(74) *Attorney, Agent, or Firm* — Muncy, Geissler, Olds & Lowe, P.C.

(57) **CLAIM**

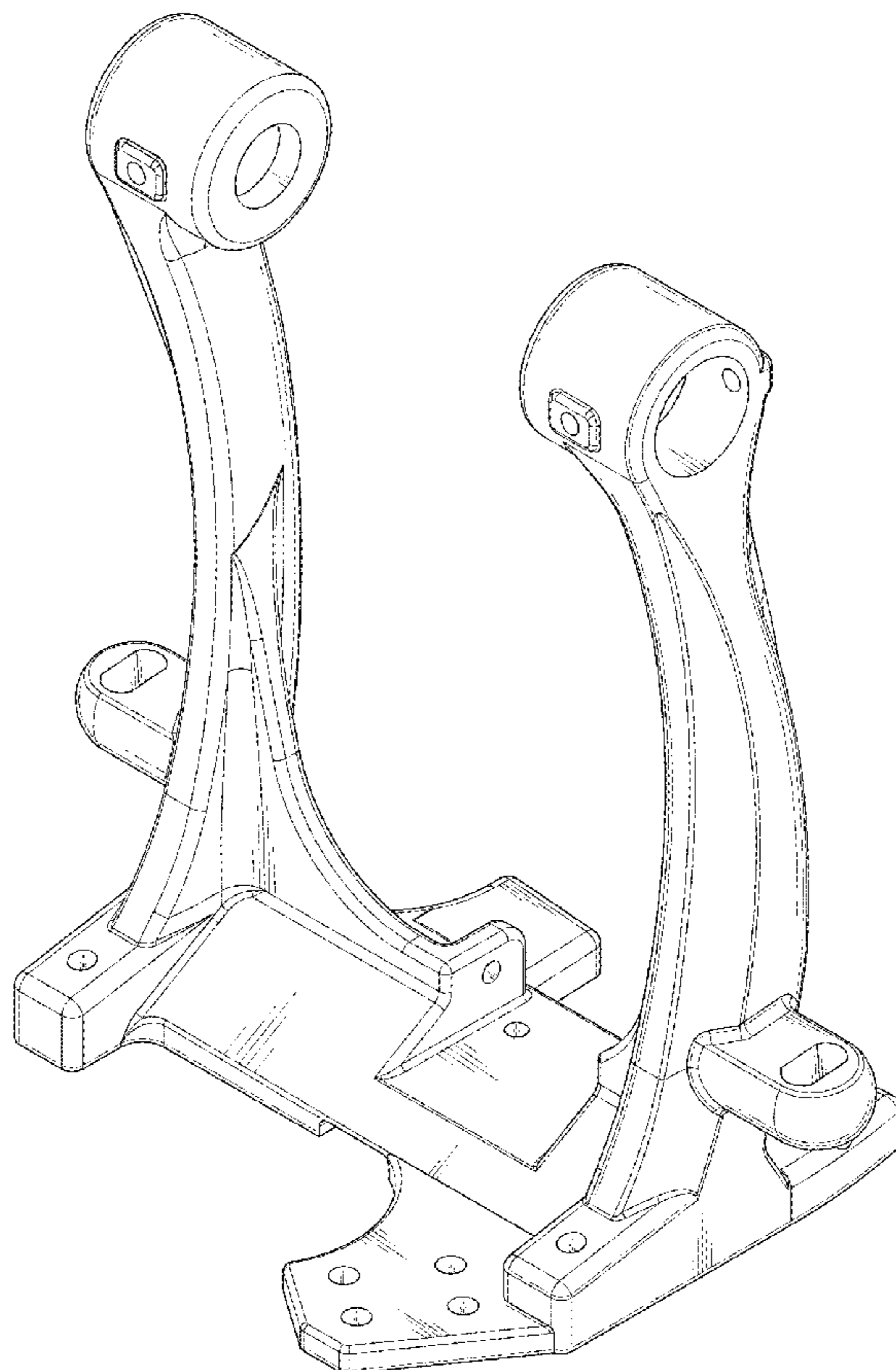
The ornamental design for a stand for foot pedal, as shown and described.

**DESCRIPTION**

FIG. 1 is a perspective view of the stand for foot pedal showing my new design;  
FIG. 2 is a front elevational view thereof;  
FIG. 3 is a rear elevational view thereof;  
FIG. 4 is a left side elevational view thereof;  
FIG. 5 is a right side elevational view thereof;  
FIG. 6 is a top plan view thereof;  
FIG. 7 is a bottom plan view thereof; and,  
FIG. 8 is another perspective view thereof; showing the design in use.

The broken lines show the environment and form no part of the claimed design.

**1 Claim, 8 Drawing Sheets**



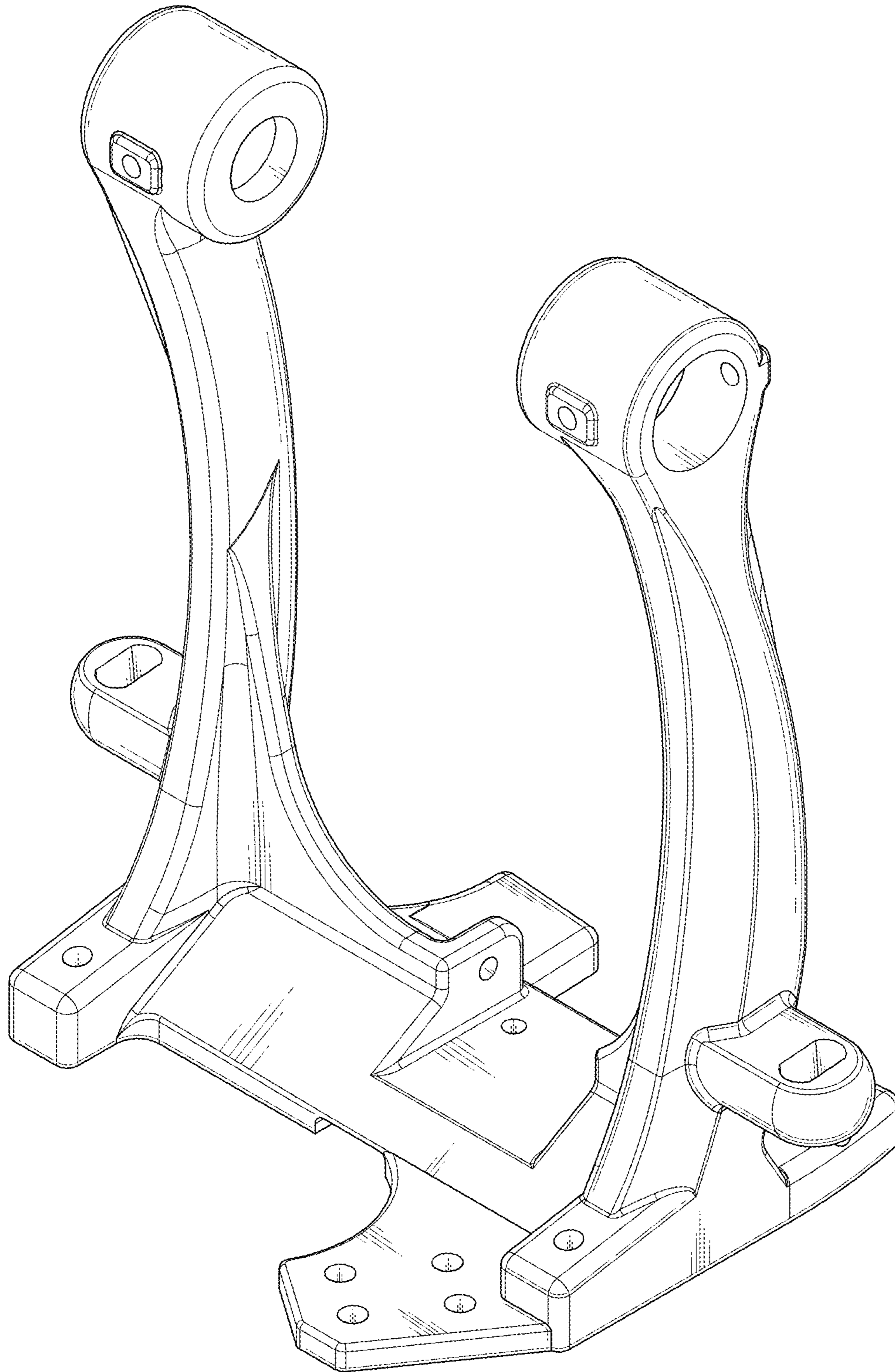


Fig . 1

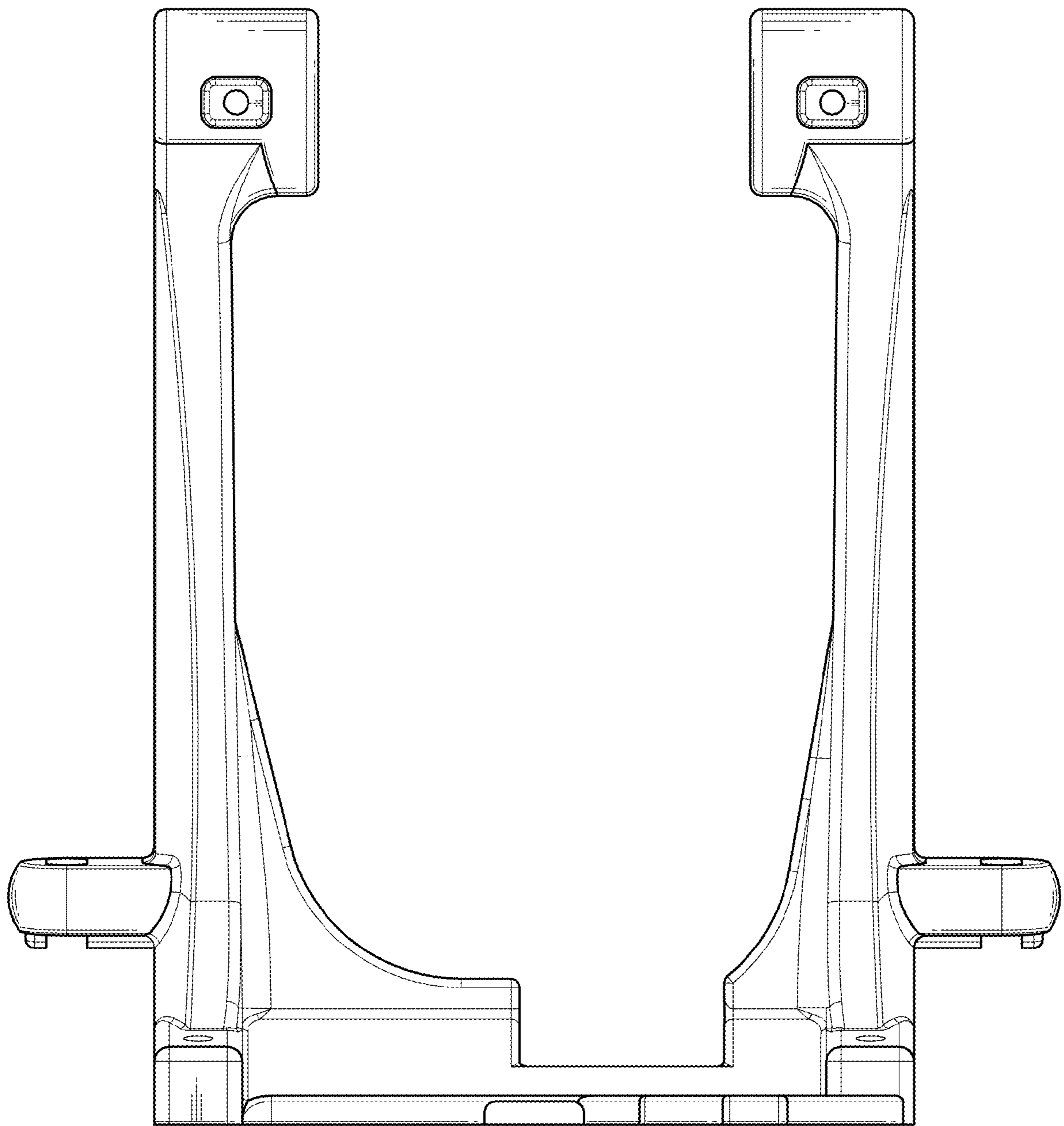


Fig . 2

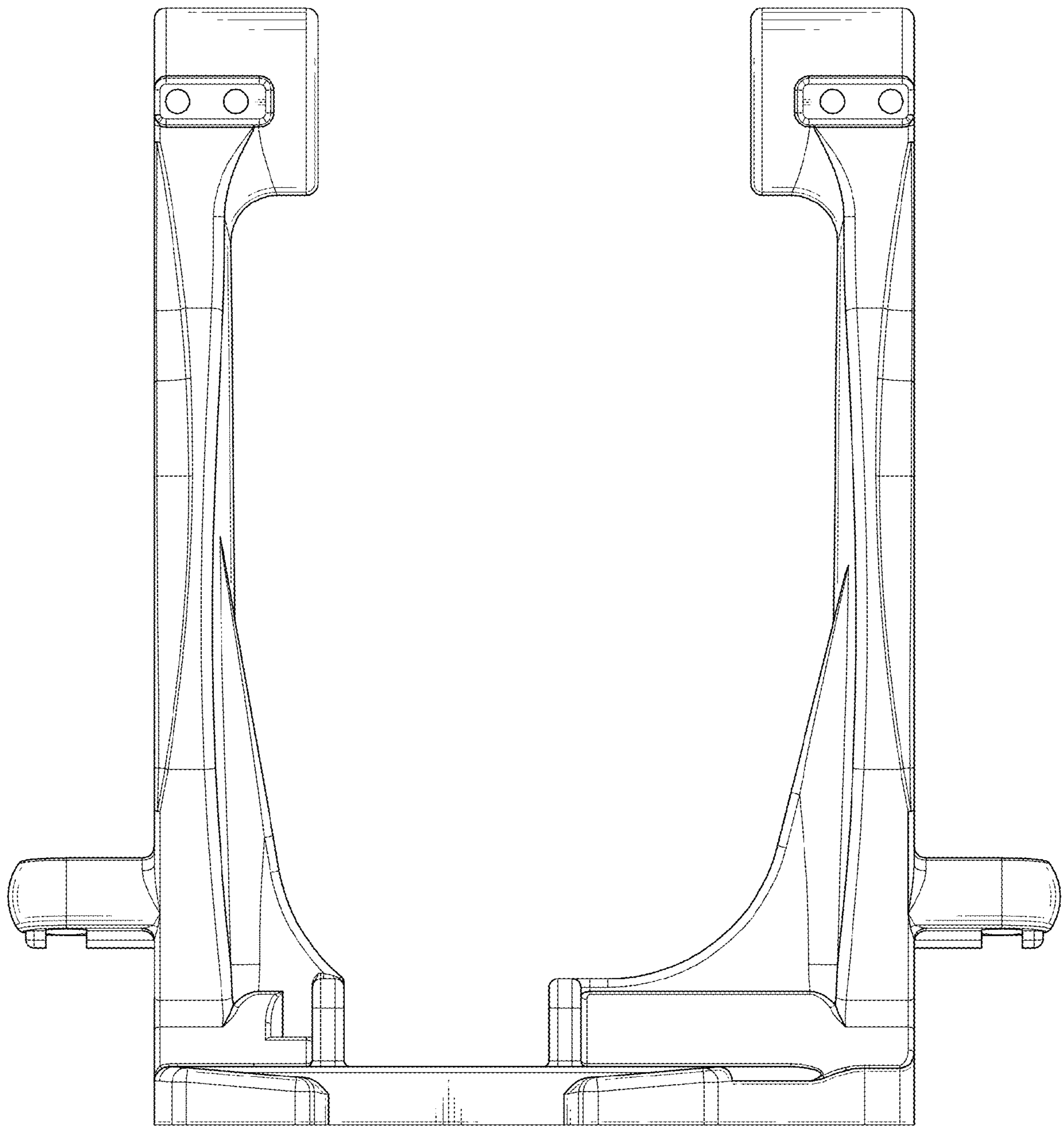


Fig . 3

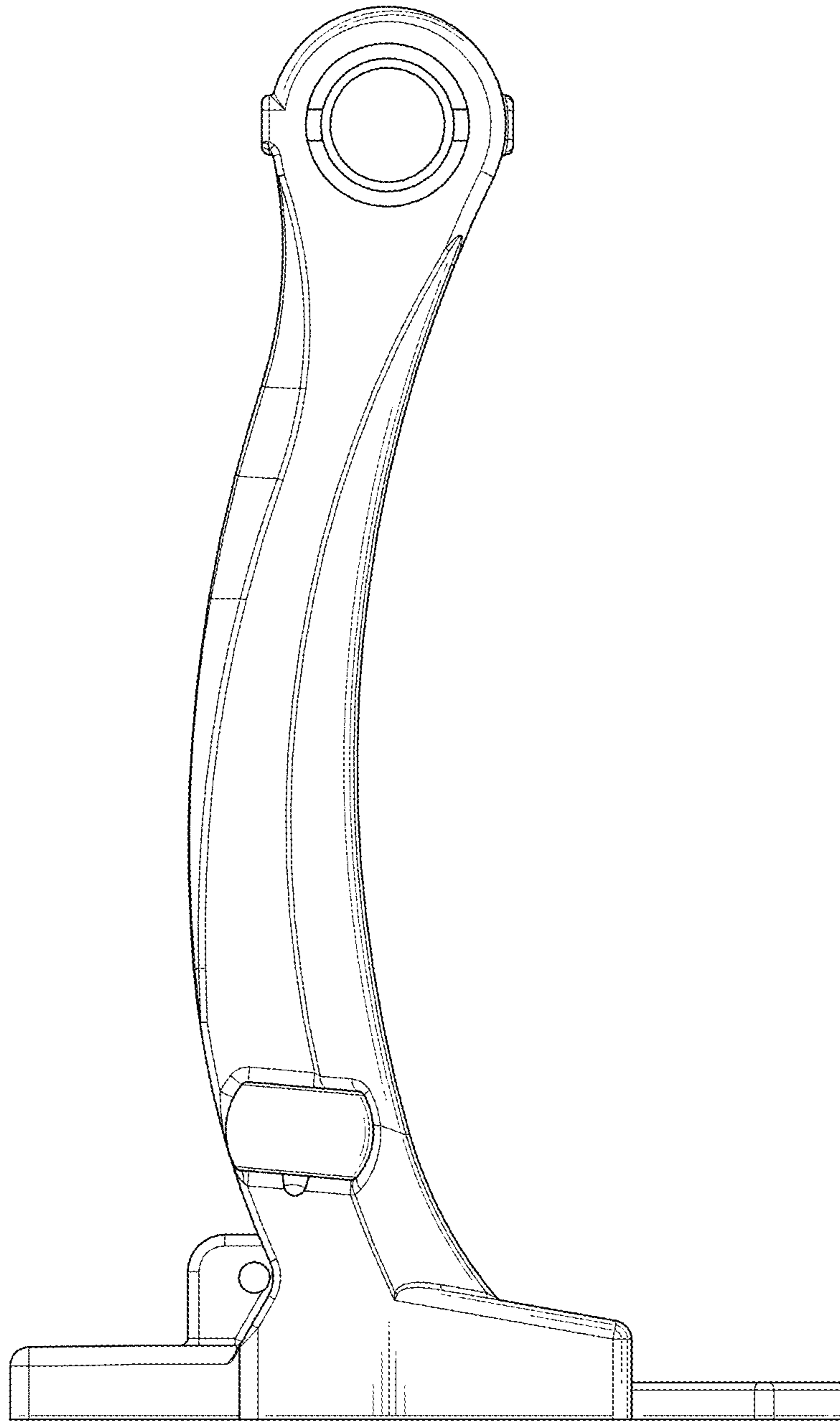


Fig . 4

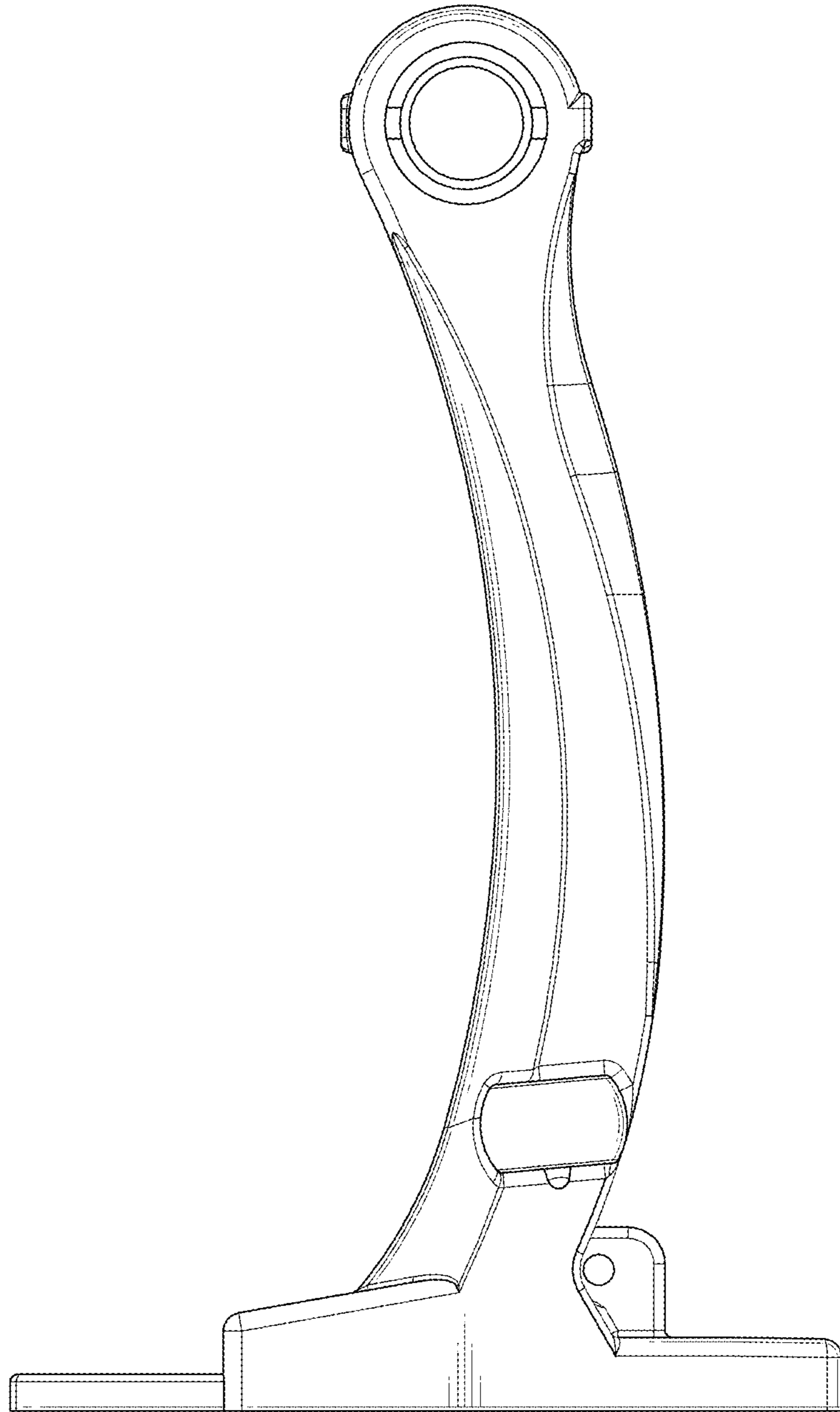


Fig . 5

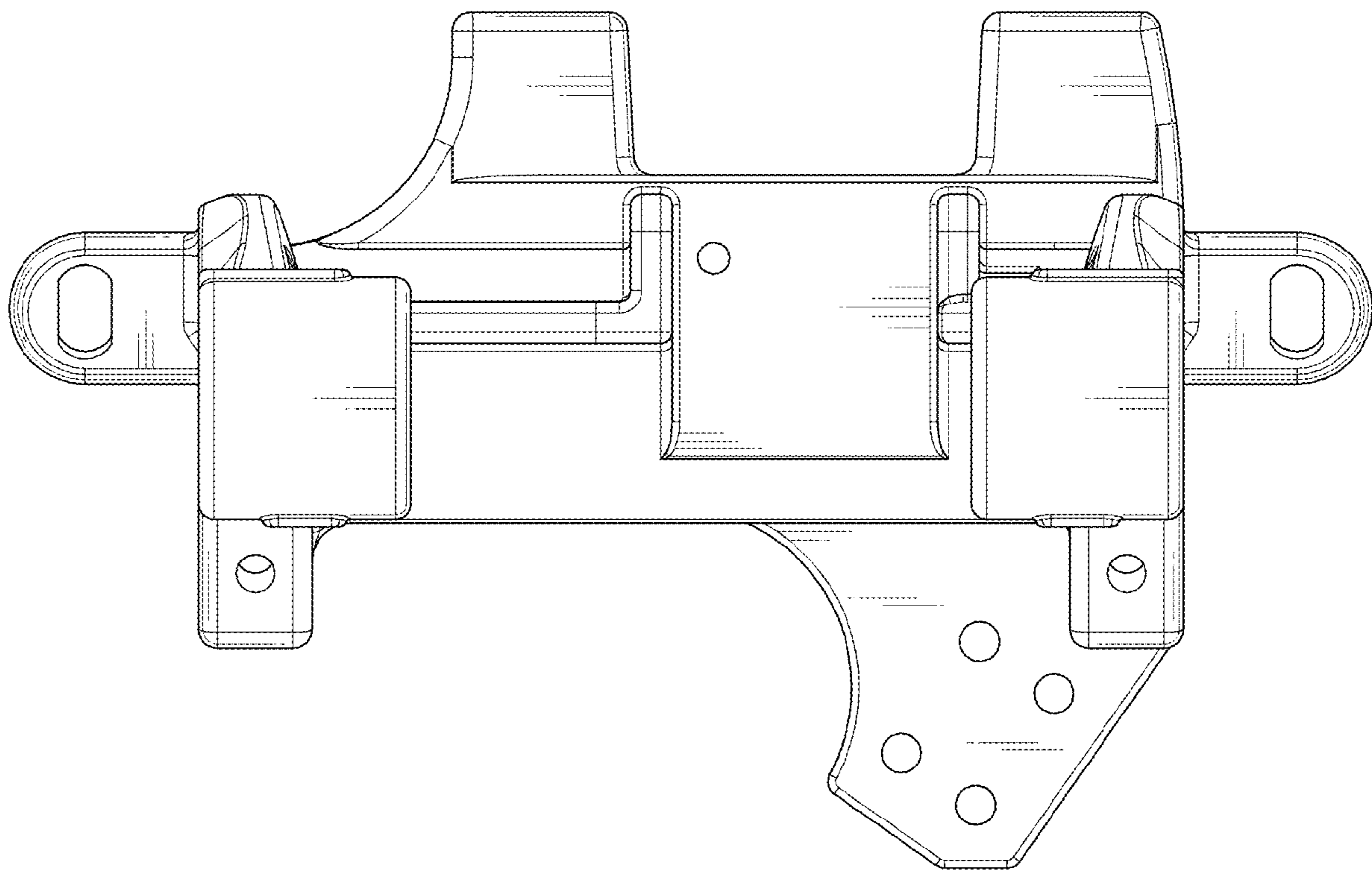


Fig . 6

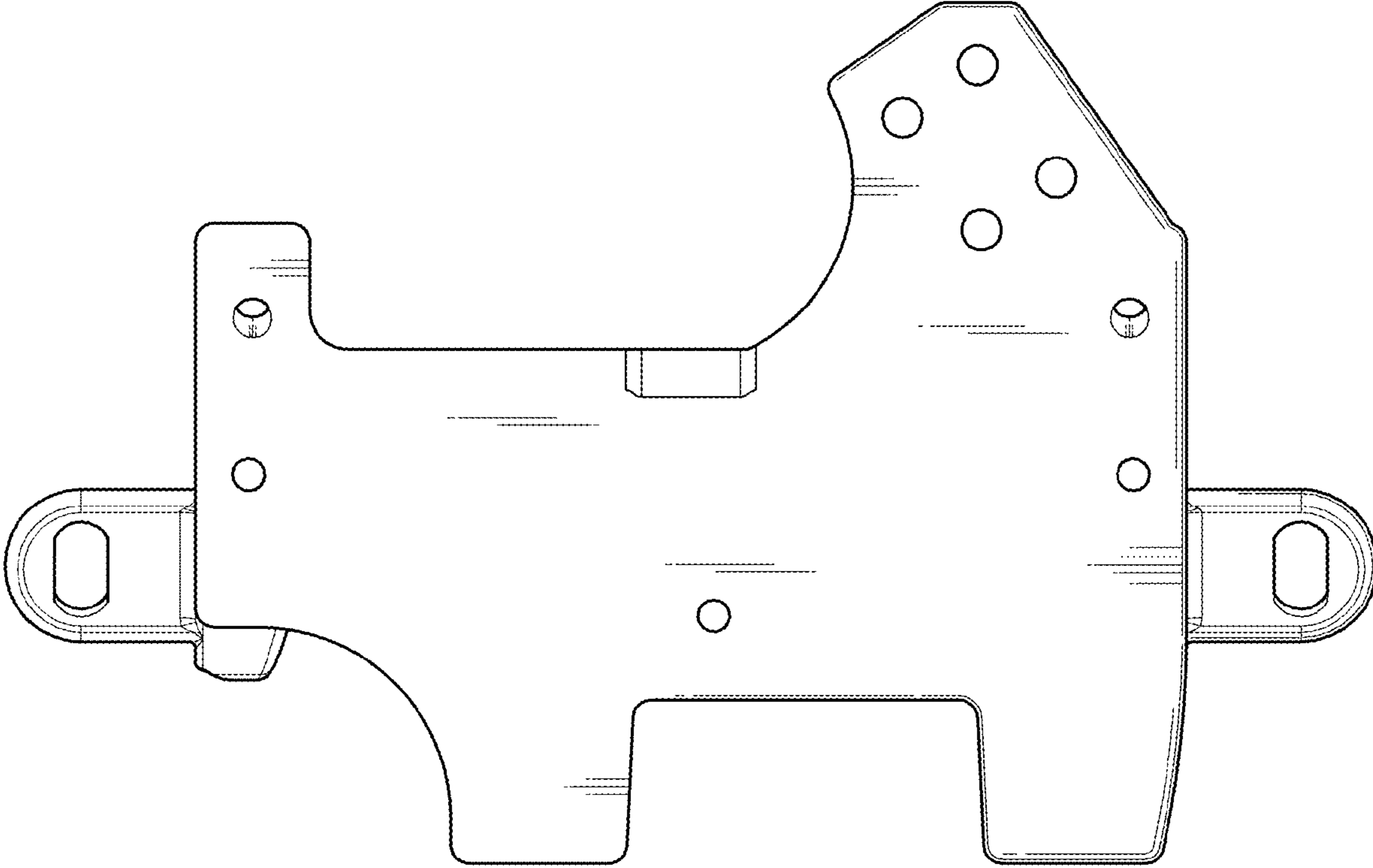


Fig . 7



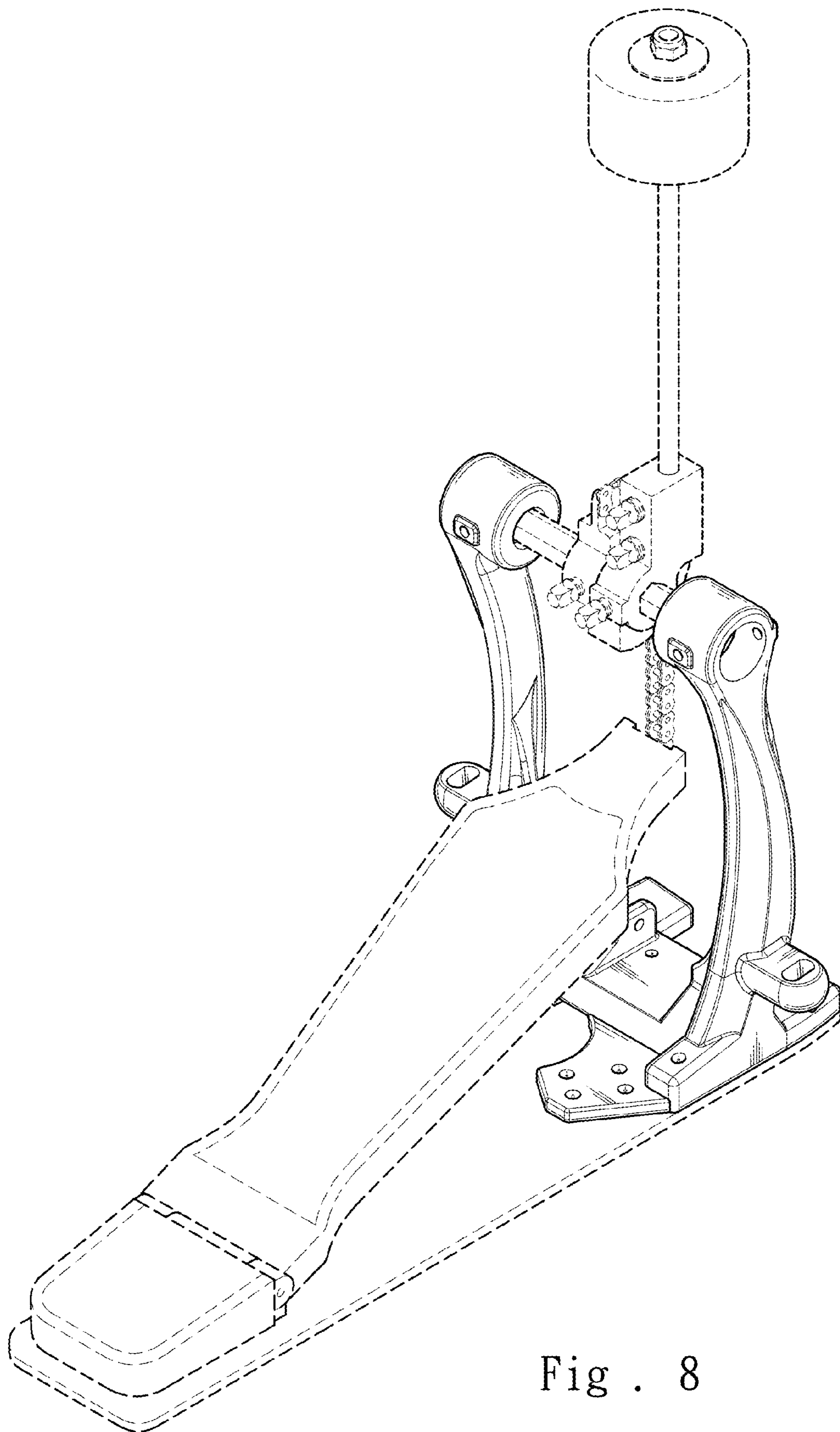


Fig . 8