



US00D906411S

(12) **United States Design Patent** (10) **Patent No.:** **US D906,411 S**  
**Sung** (45) **Date of Patent:** **\*\* Dec. 29, 2020**

(54) **STRINGED MUSICAL INSTRUMENT** 7,550,660 B2 \* 6/2009 Kammerer ..... G10D 3/02  
84/267  
(71) Applicant: **Forzati Pty Ltd**, Warral (AU) D625,353 S 10/2010 Licea  
D768,763 S 10/2016 Suzuki  
D783,710 S 4/2017 Kiesel  
(72) Inventor: **Hsing Sung**, Warral (AU) 2008/0092716 A1 \* 4/2008 Breedlove ..... G10D 3/06  
84/267  
(\*\*) Term: **15 Years** 2016/0035326 A1 \* 2/2016 Ceja Estrada ..... G10D 1/085  
84/267

(21) Appl. No.: **29/741,181**

(22) Filed: **Jul. 10, 2020**

(51) **LOC (12) Cl.** ..... **17-03**

(52) **U.S. Cl.**  
USPC ..... **D17/19**

(58) **Field of Classification Search**  
USPC ..... D17/14, 19, 20; D3/204; D8/373  
CPC ..... G10D 1/08; G10D 1/10; G10D 3/06  
See application file for complete search history.

(56) **References Cited**

**U.S. PATENT DOCUMENTS**

- 1,559,108 A \* 10/1925 Kirk ..... G10D 1/08  
84/291
- 1,699,380 A \* 1/1929 Stewart ..... G10D 3/06  
84/314 R
- 1,764,679 A \* 6/1930 Gast ..... G10D 1/08  
84/298
- 3,344,698 A \* 10/1967 Ferrara ..... G10D 1/08  
84/267
- 3,785,239 A \* 1/1974 Smith ..... G10D 1/08  
84/314 R
- D240,764 S \* 7/1976 Rendell ..... D17/14
- 4,056,034 A \* 11/1977 Kaman ..... G10D 1/08  
84/267
- 4,317,402 A \* 3/1982 McPherson, Sr. .... G10D 3/02  
84/291
- 5,567,894 A \* 10/1996 Shiomi ..... G10D 1/08  
84/267
- D517,114 S 3/2006 Knaggs et al.
- D549,767 S 8/2007 Mitic
- D566,166 S \* 4/2008 DeMars ..... D17/18

**OTHER PUBLICATIONS**

Amazon.com. <https://www.amazon.com/Aiersi-Dolphin-ukulele-Soprano-Ukulele/dp/B072K6BPR2>. Jun. 2017. "Aiersi Dolphin ukulele SU-21D Soprano Dolphin Ukulele". (Year: 2017).\*

(Continued)

*Primary Examiner* — R. Johnson

(74) *Attorney, Agent, or Firm* — KA Filing LLC; Cynthia W. Flanigan

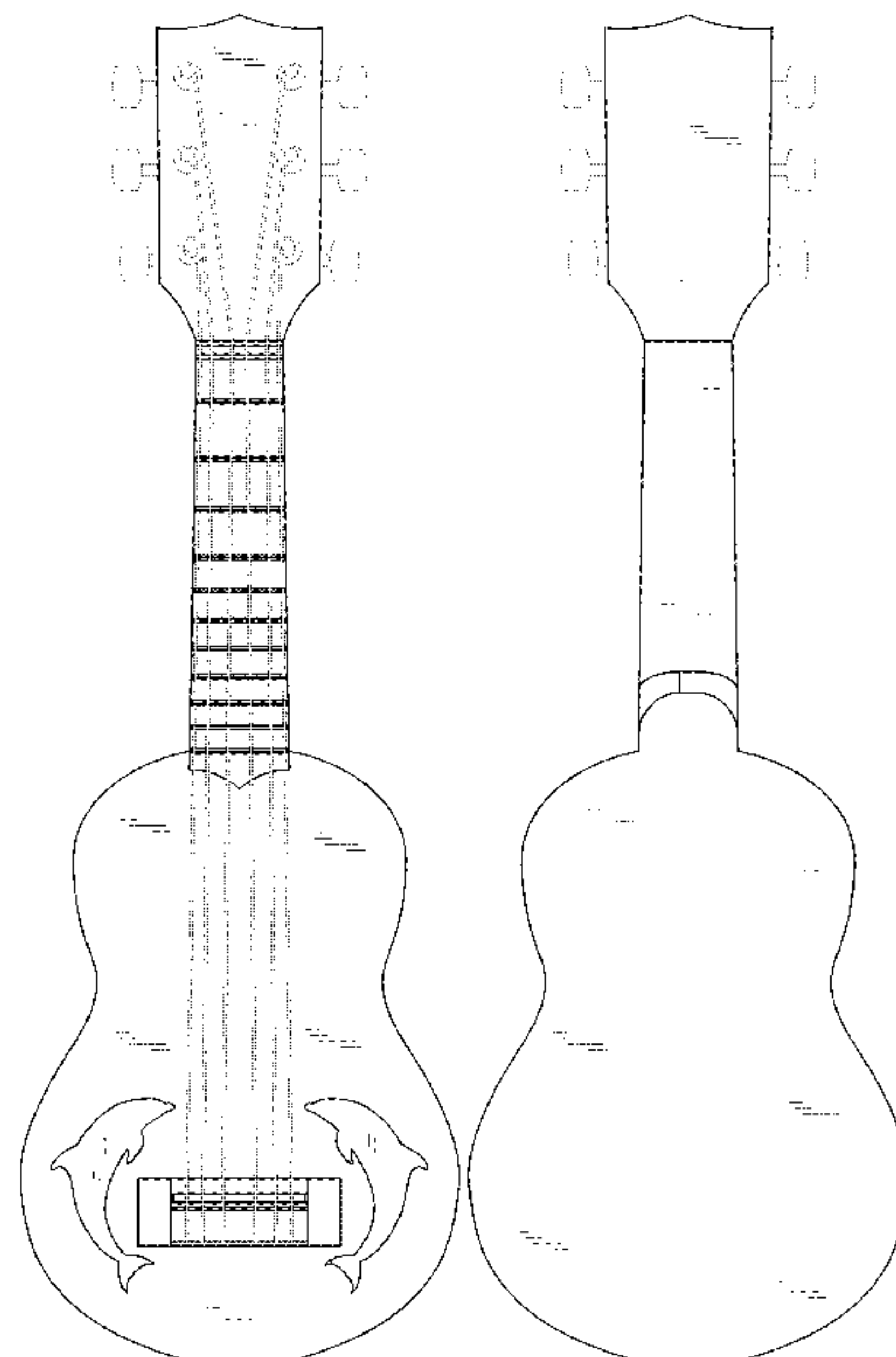
(57) **CLAIM**

I claim the ornamental design for a stringed musical instrument, as shown and described.

**DESCRIPTION**

FIG. 1 is a Perspective view of a stringed musical instrument showing my new design;  
FIG. 2 is a Front view thereof;  
FIG. 3 is a Back view thereof;  
FIG. 4 is a Right-side view thereof;  
FIG. 5 is a Left-side view thereof;  
FIG. 6 is a Top view thereof;  
FIG. 7 is a Bottom view thereof; and,  
FIG. 8 is a perspective view of a section taken along line 8 in FIG. 1.  
The broken lines are for the purpose of illustrating portions of the article that form no part of the claim.

**1 Claim, 7 Drawing Sheets**



(56)

**References Cited**

OTHER PUBLICATIONS

Kalena. <https://kalenainstruments.com/collections/ukuleles/products/ukulele-dolphins?variant=29409766998114>. Date Unknown: viewed Nov. 2020. "Kalena Mahogany Ukulele Dolphins Complete Set". (Year: 2020).\*

\* cited by examiner

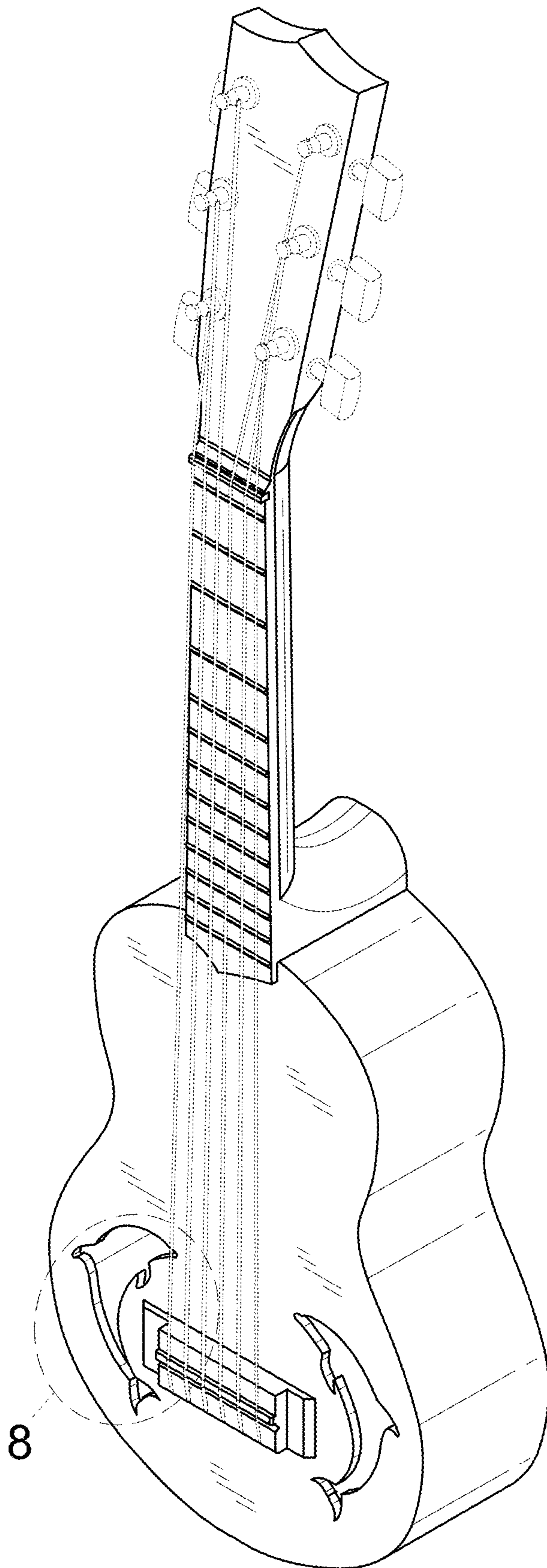


FIG. 1

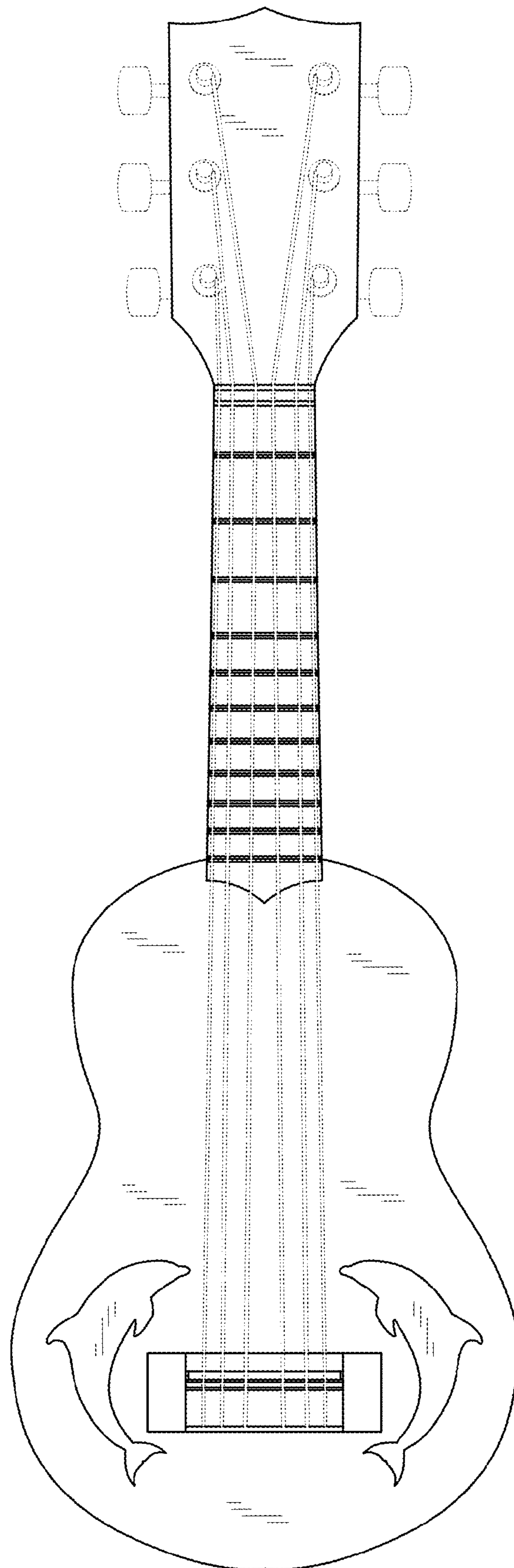


FIG. 2

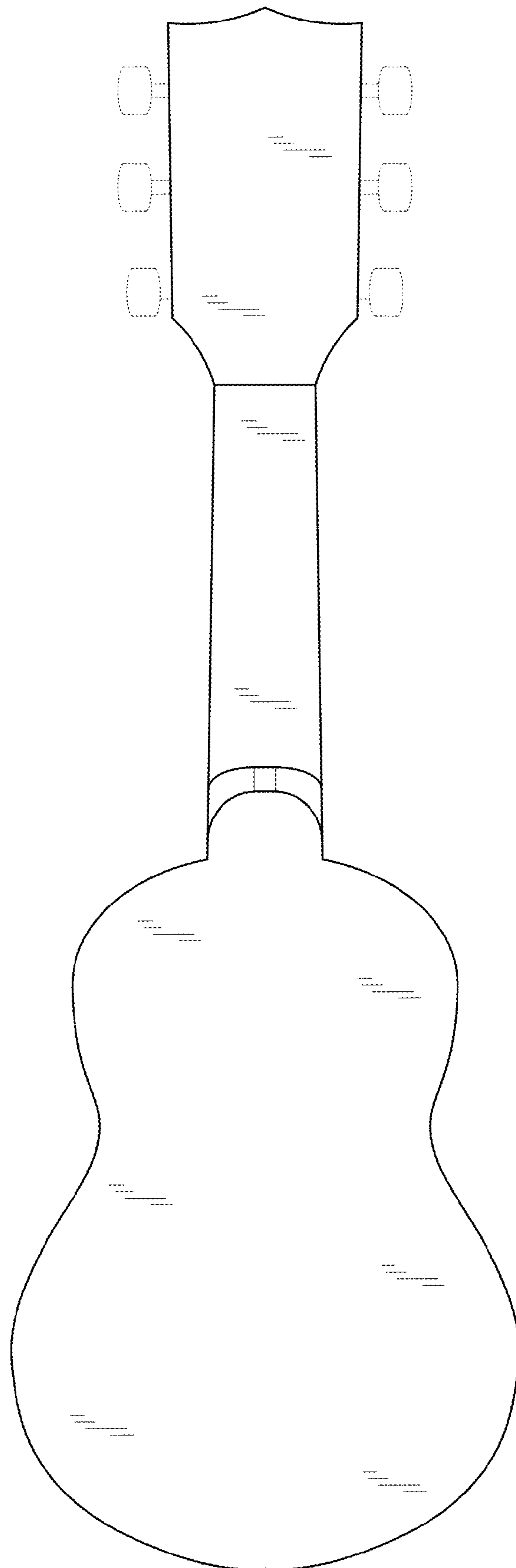


FIG. 3

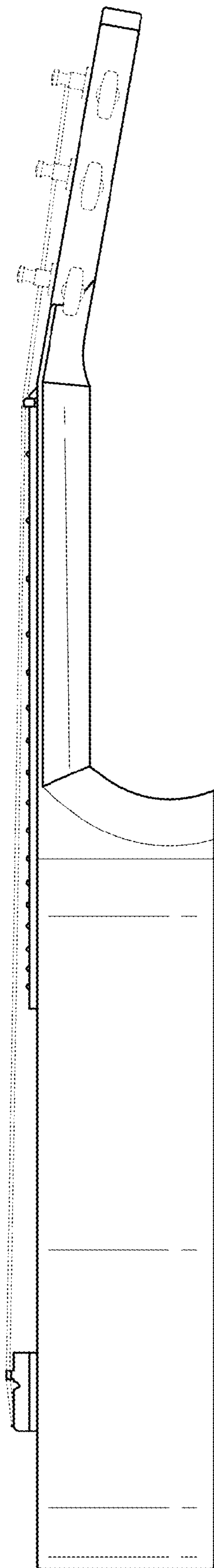


FIG. 4

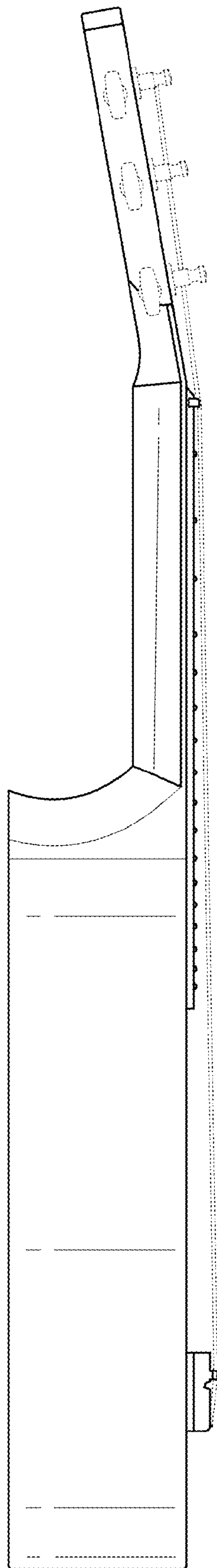


FIG. 5



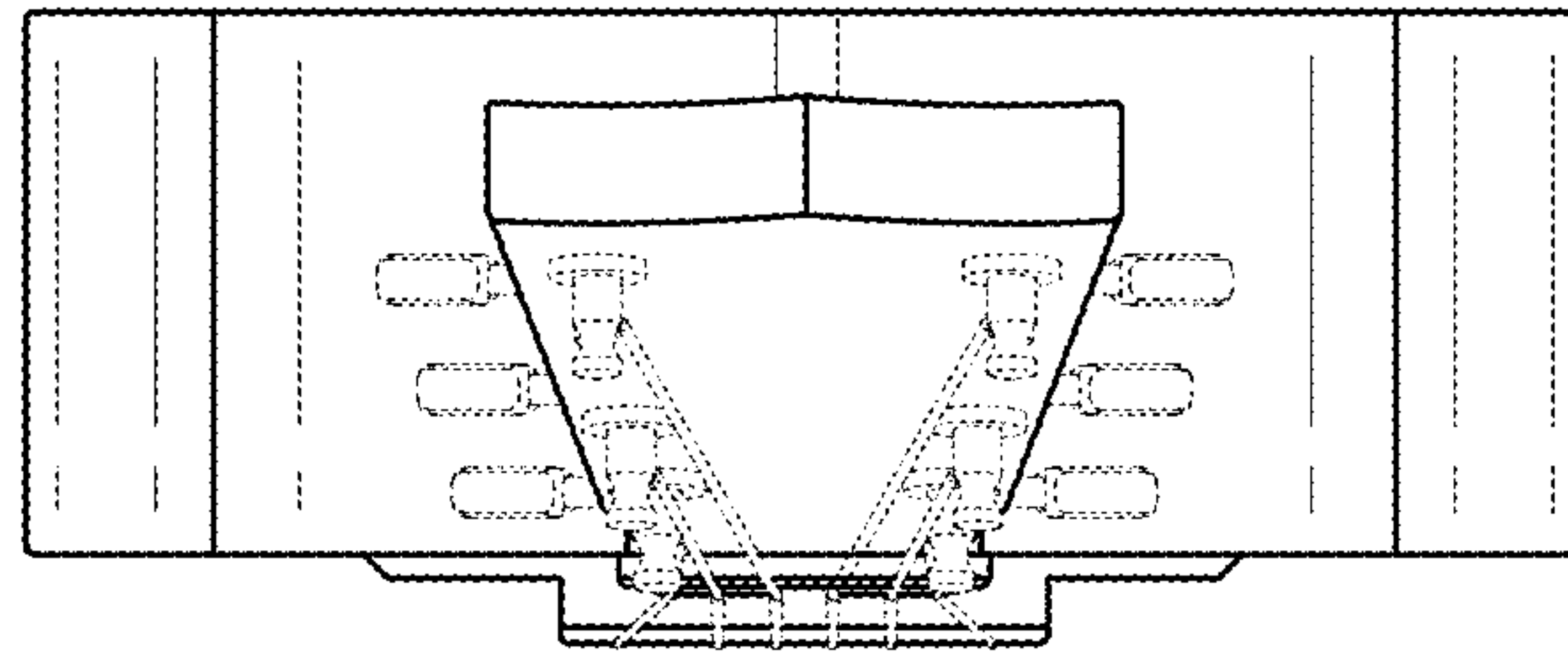


FIG. 6

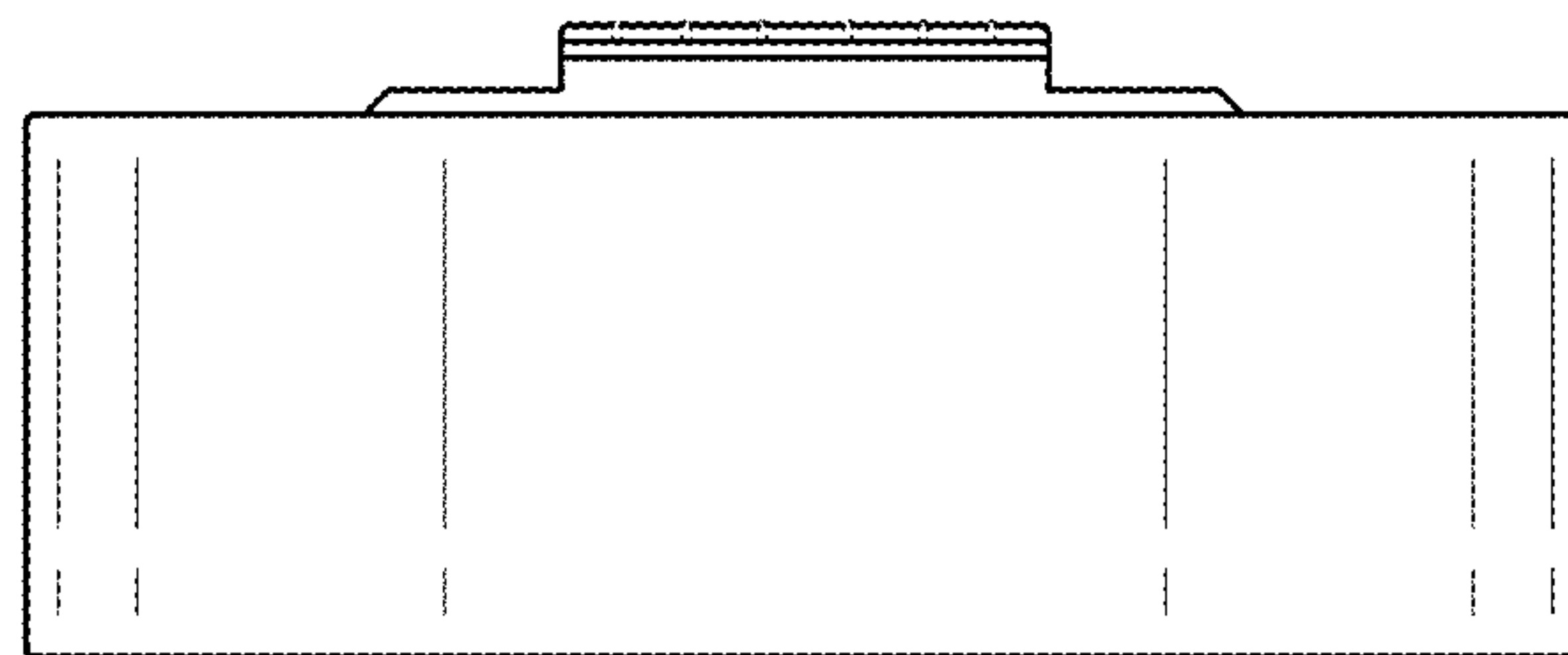


FIG. 7



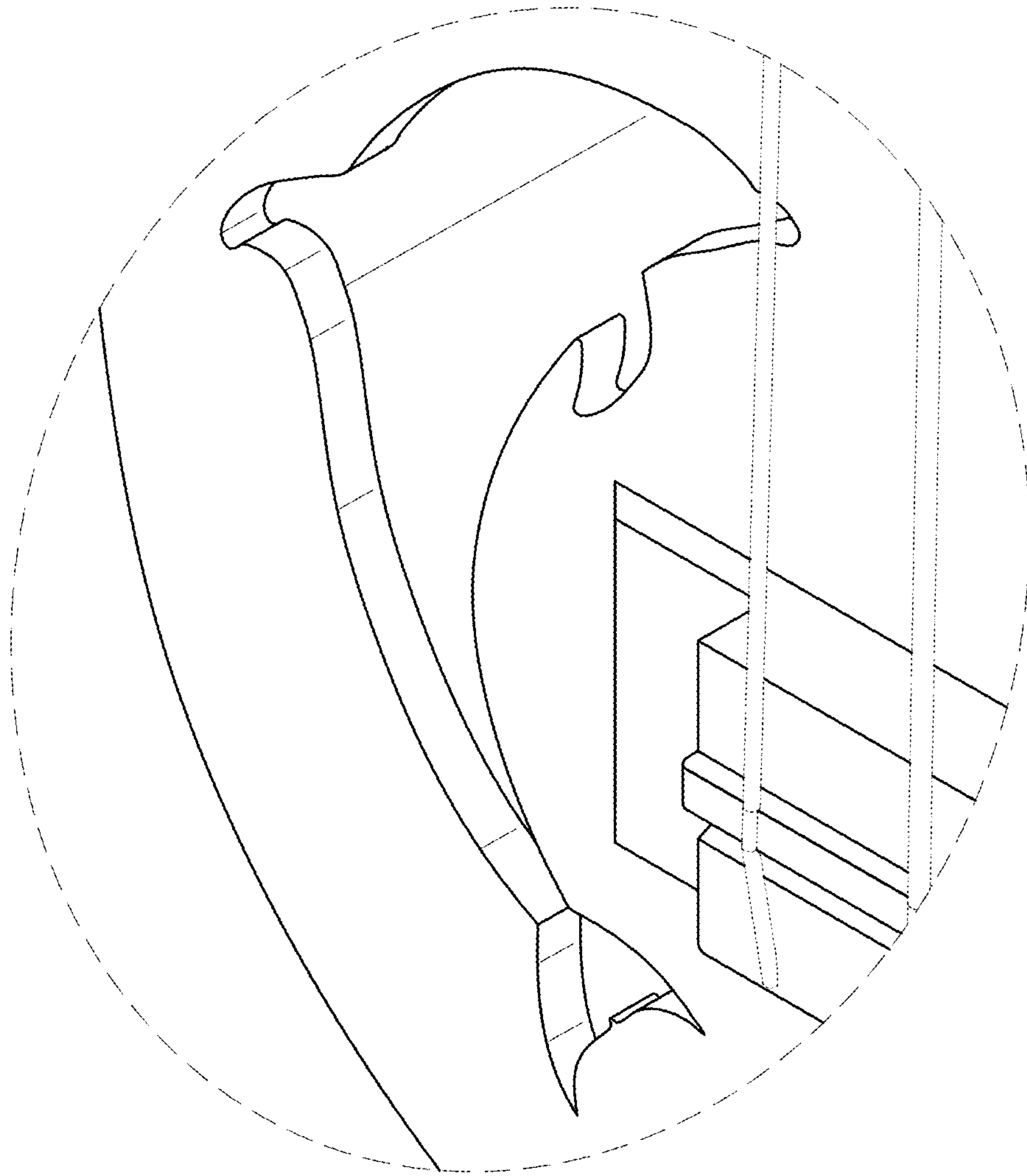


FIG. 8