



US00D906409S

(12) **United States Design Patent**  
**Kaneda**

(10) **Patent No.:** **US D906,409 S**

(45) **Date of Patent:** **\*\* Dec. 29, 2020**

(54) **NOSE PAD FOR EYEGLASSES**  
(71) Applicant: **JINS HOLDINGS Inc.**, Maebashi (JP)  
(72) Inventor: **Daisuke Kaneda**, Maebashi (JP)  
(73) Assignee: **JINS HOLDINGS Inc.**, Maebashi (JP)  
(\*\*) Term: **15 Years**

5,448,318 A \* 9/1995 Heine ..... G02C 9/04  
351/158  
D389,854 S \* 1/1998 Nason ..... D16/333  
D444,491 S \* 7/2001 Iwanaga ..... D16/333  
(Continued)

(21) Appl. No.: **29/678,659**

(22) Filed: **Jan. 30, 2019**

(30) **Foreign Application Priority Data**

Jul. 31, 2018 (JP) ..... 2018-016715

(51) **LOC (12) Cl.** ..... **16-06**

(52) **U.S. Cl.**  
USPC ..... **D16/333**

(58) **Field of Classification Search**  
USPC ..... 348/115, 53, 121, 739; 345/7-9, 905;  
351/158, 153, 144; D14/125, 126, 129,  
D14/299, 372, 496, 432; D16/101, 300,  
D16/303-304, 309-315, 317-323,  
D16/325-340; D29/108, 109, 110, 112  
CPC . A63B 33/00; A63B 33/002; A63B 2033/004;  
A63B 2033/006; A63B 2033/008; G02C  
2200/08; G02C 2200/22; G02C 5/008;  
G02C 5/14; G02C 5/16; G02C 5/146;  
G02C 5/2254; G02C 1/06; G02C 11/02;  
G02C 11/04; A61M 2021/0044; B63C  
11/12; A61F 9/00; A61F 9/02  
See application file for complete search history.

**FOREIGN PATENT DOCUMENTS**

CN 305530987 \* 1/2020  
DE 102009029491 \* 3/2011 ..... G02C 5/2254  
(Continued)

**OTHER PUBLICATIONS**

EM Design Application No. 002682757-0001, published Apr. 30,  
2015.

(Continued)

*Primary Examiner* — Michelle E. Wilson  
*Assistant Examiner* — Sanjeev Paul  
(74) *Attorney, Agent, or Firm* — Wolf, Greenfield &  
Sacks, P.C.

(57) **CLAIM**

The ornamental design for a nose pad for eyeglasses, as  
shown and described.

**DESCRIPTION**

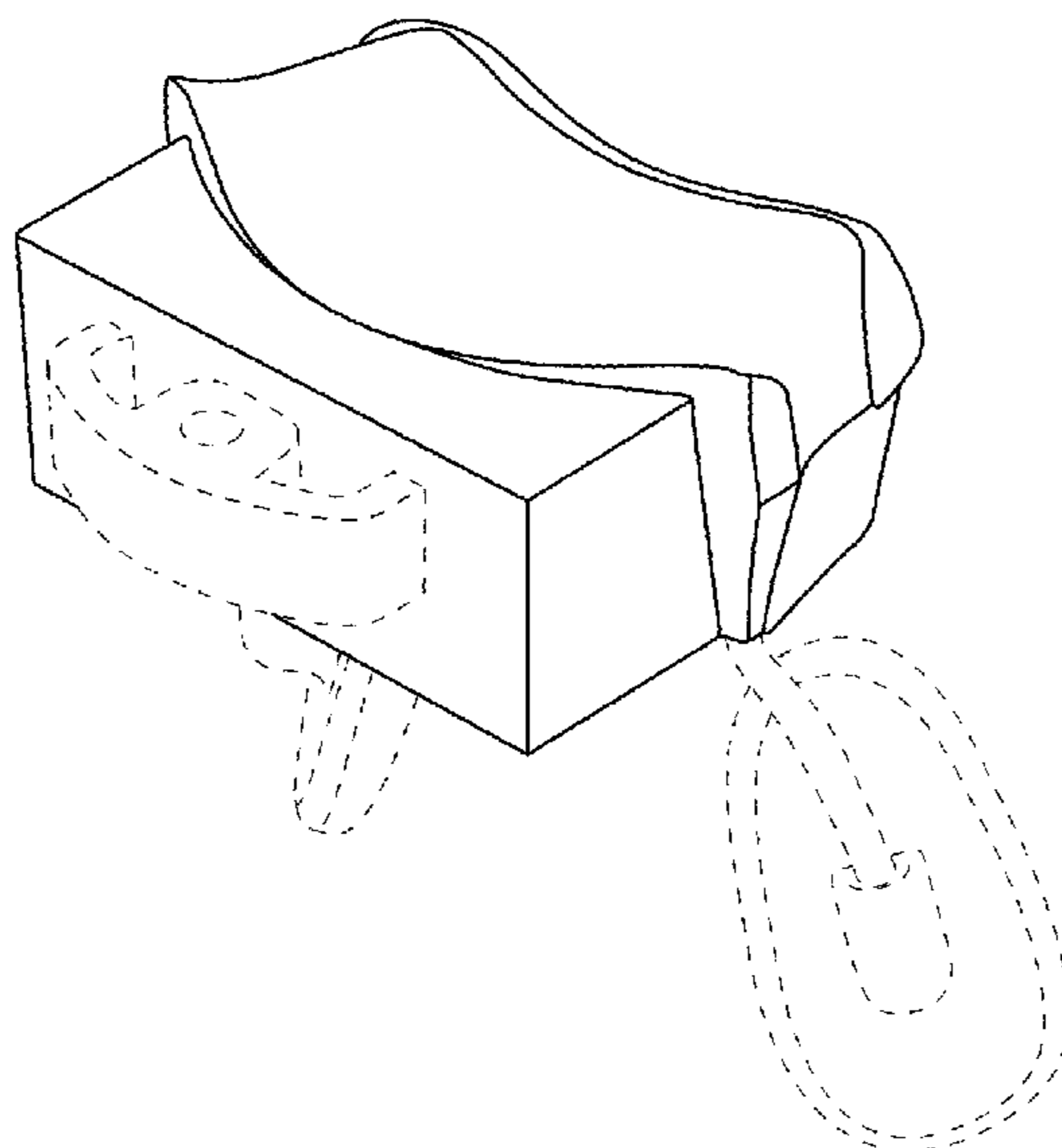
FIG. 1 is a top, front, right side perspective view of a nose  
pad for eyeglasses according to my new design;  
FIG. 2 is a front elevation view thereof;  
FIG. 3 is a rear elevation view thereof;  
FIG. 4 is a top plan view thereof;  
FIG. 5 is a bottom plan view thereof;  
FIG. 6 is a right side elevation view thereof;  
FIG. 7 is a left side elevation view thereof; and,  
FIG. 8 is a top, rear, right side perspective view of the nose  
pad attached to eyeglasses.  
The broken lines in FIGS. 1-7 represent portions of the nose  
pad that form no part of the claimed design. The additional  
broken lines in FIG. 8 represent environment and form no  
part of the claimed design.

(56) **References Cited**

**U.S. PATENT DOCUMENTS**

D350,359 S \* 9/1994 Friedman ..... D16/334  
5,408,279 A \* 4/1995 Chiou ..... G02C 3/04  
351/121

**1 Claim, 4 Drawing Sheets**



(56)

References Cited

U.S. PATENT DOCUMENTS

6,799,847 B2 \* 10/2004 Caplan ..... G02C 7/088  
351/128  
7,467,865 B2 \* 12/2008 Szejnwald ..... A61F 9/022  
351/158  
D597,585 S \* 8/2009 Janik ..... D16/309  
D655,742 S \* 3/2012 Bogle ..... D16/330  
8,172,419 B1 \* 5/2012 Gasparre ..... F21V 21/0885  
362/103  
D676,897 S \* 2/2013 Seo ..... D16/332  
D682,923 S \* 5/2013 Kim ..... D16/330  
D719,607 S \* 12/2014 Lalush ..... D16/304  
D741,942 S \* 10/2015 Hong ..... D16/330  
D758,476 S \* 6/2016 Ho ..... D16/315  
D769,351 S \* 10/2016 Markovitz ..... D16/315  
D770,560 S \* 11/2016 Shin ..... D16/330  
D780,831 S 3/2017 Tanaka et al.  
D792,499 S 7/2017 Tanaka et al.  
D802,046 S \* 11/2017 Ho ..... D16/300  
10,114,231 B1 \* 10/2018 Armstrong ..... G02C 5/146  
10,441,217 B2 \* 10/2019 Komoda ..... A61B 5/6819  
D877,236 S \* 3/2020 Damin ..... D16/332  
2007/0052916 A1 \* 3/2007 Zeng ..... G02C 1/02  
351/41  
2008/0266515 A1 \* 10/2008 Hou ..... G02C 5/2209  
351/140  
2012/0320331 A1 \* 12/2012 Walker, Jr. .... G02C 5/02  
351/57  
2015/0234200 A1 \* 8/2015 Chou ..... G02C 1/04  
351/105  
2017/0027470 A1 \* 2/2017 Inoue ..... G02C 5/12  
2017/0108713 A1 \* 4/2017 Blum ..... G02C 5/14

2017/0336648 A1 \* 11/2017 Chen ..... G02C 1/08  
2018/0004008 A1 \* 1/2018 Froissard ..... G02C 5/02  
2018/0049664 A1 \* 2/2018 Miyazaki ..... G02C 5/14  
2018/0348540 A1 \* 12/2018 Huang ..... G02C 5/02  
2018/0364497 A1 \* 12/2018 Paris ..... G02C 5/02

FOREIGN PATENT DOCUMENTS

JP D1445067 S 7/2012  
JP D1526401 S 6/2015  
JP D1526402 S 6/2015  
JP D1526780 S 6/2015  
JP D1526781 S 6/2015  
JP D1527297 S 6/2015  
JP D1527298 S 6/2015  
WO 2011-C72908 \* 3/2011  
WO WO-2012044142 A1 \* 4/2012 ..... G02C 1/02  
WO WO 2016/194848 A1 12/2016

OTHER PUBLICATIONS

EM Design Application No. 002682757-0002, published Apr. 30, 2015.  
EM Design Application No. 002682757-0003, published Apr. 30, 2015.  
EM Design Application No. 002682757-0004, published Apr. 30, 2015.  
EM Design Application No. 002682757-0005, published Apr. 30, 2015.  
EM Design Application No. 002682757-0006, published Apr. 30, 2015.

\* cited by examiner

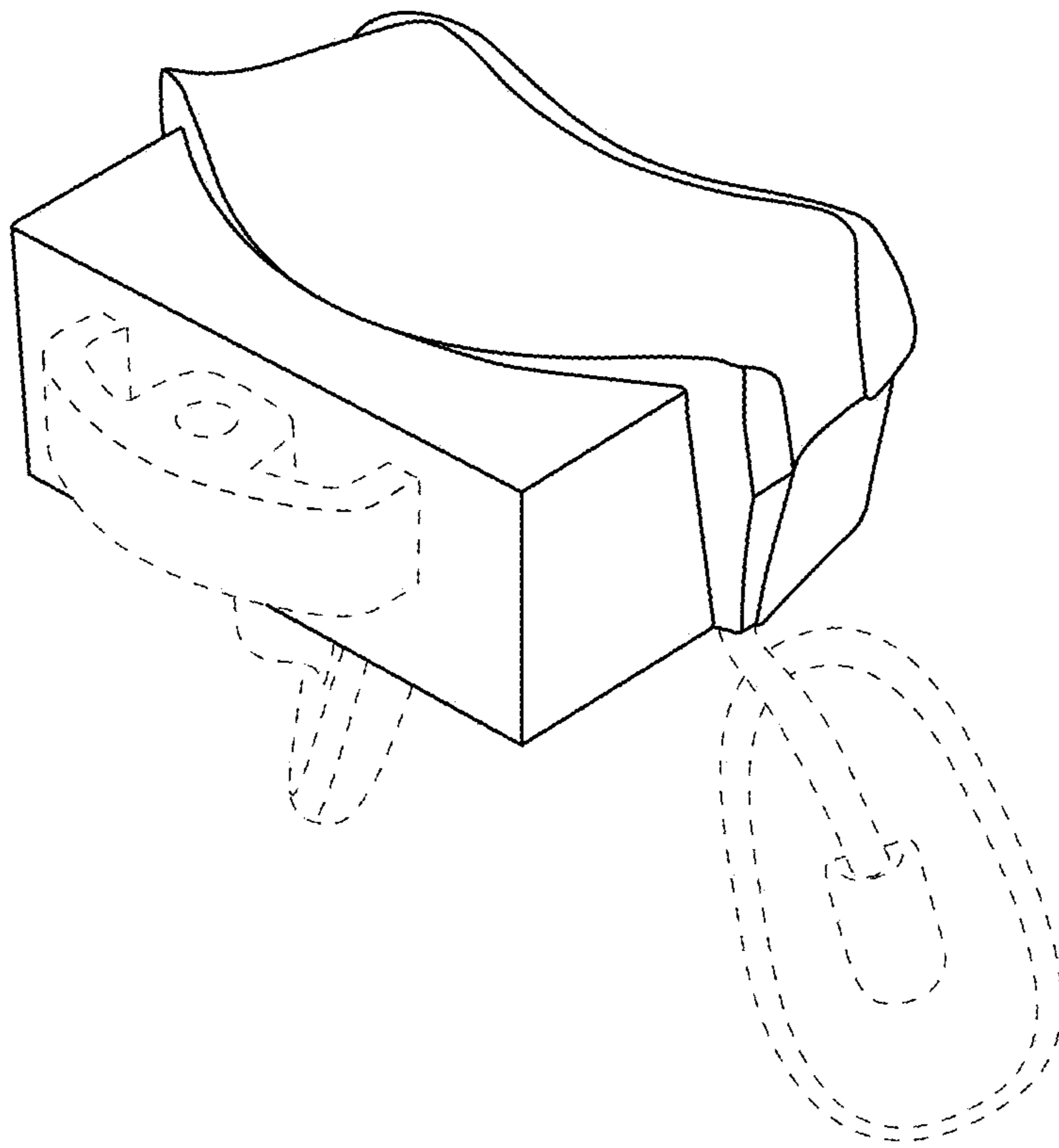
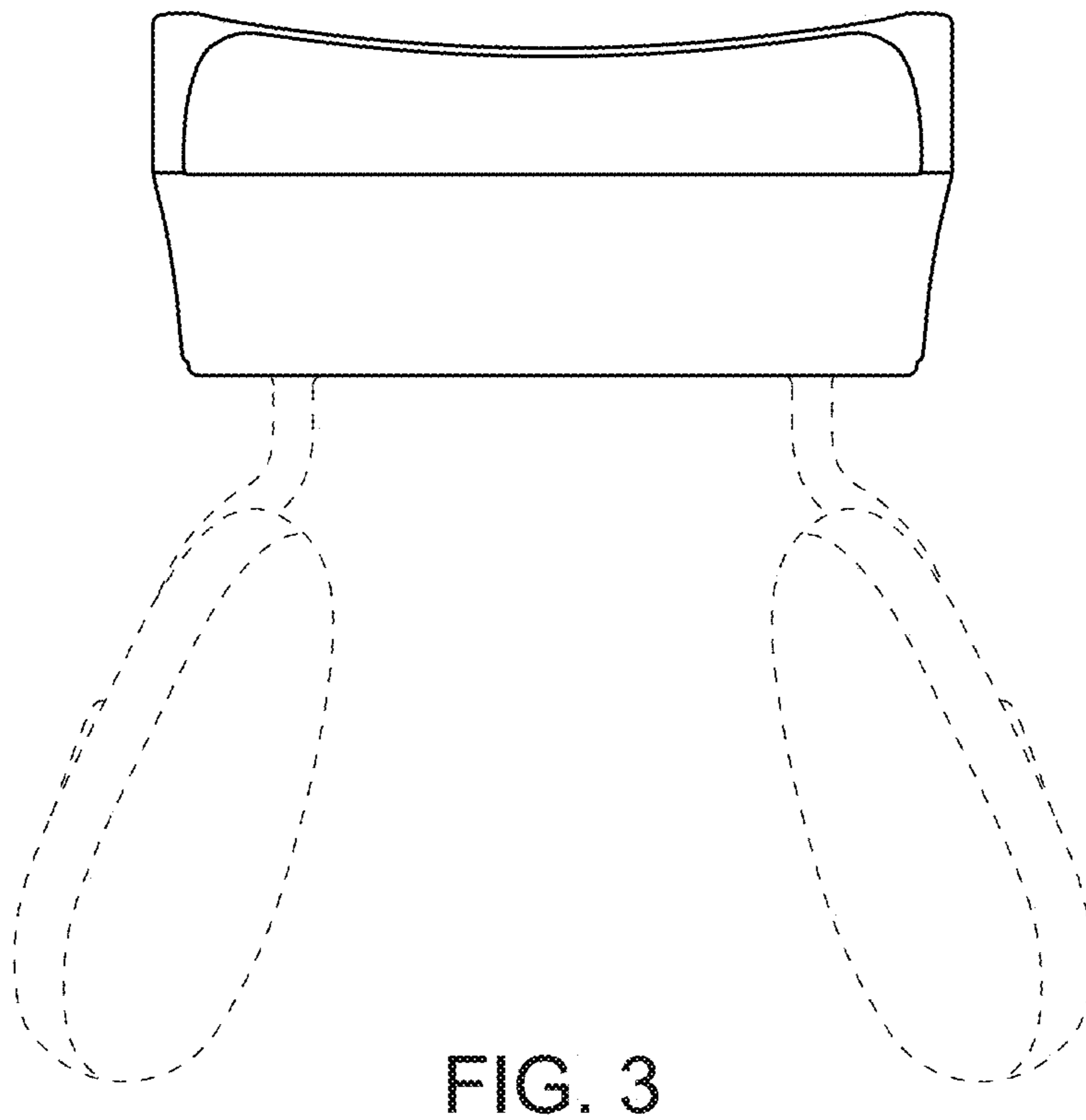
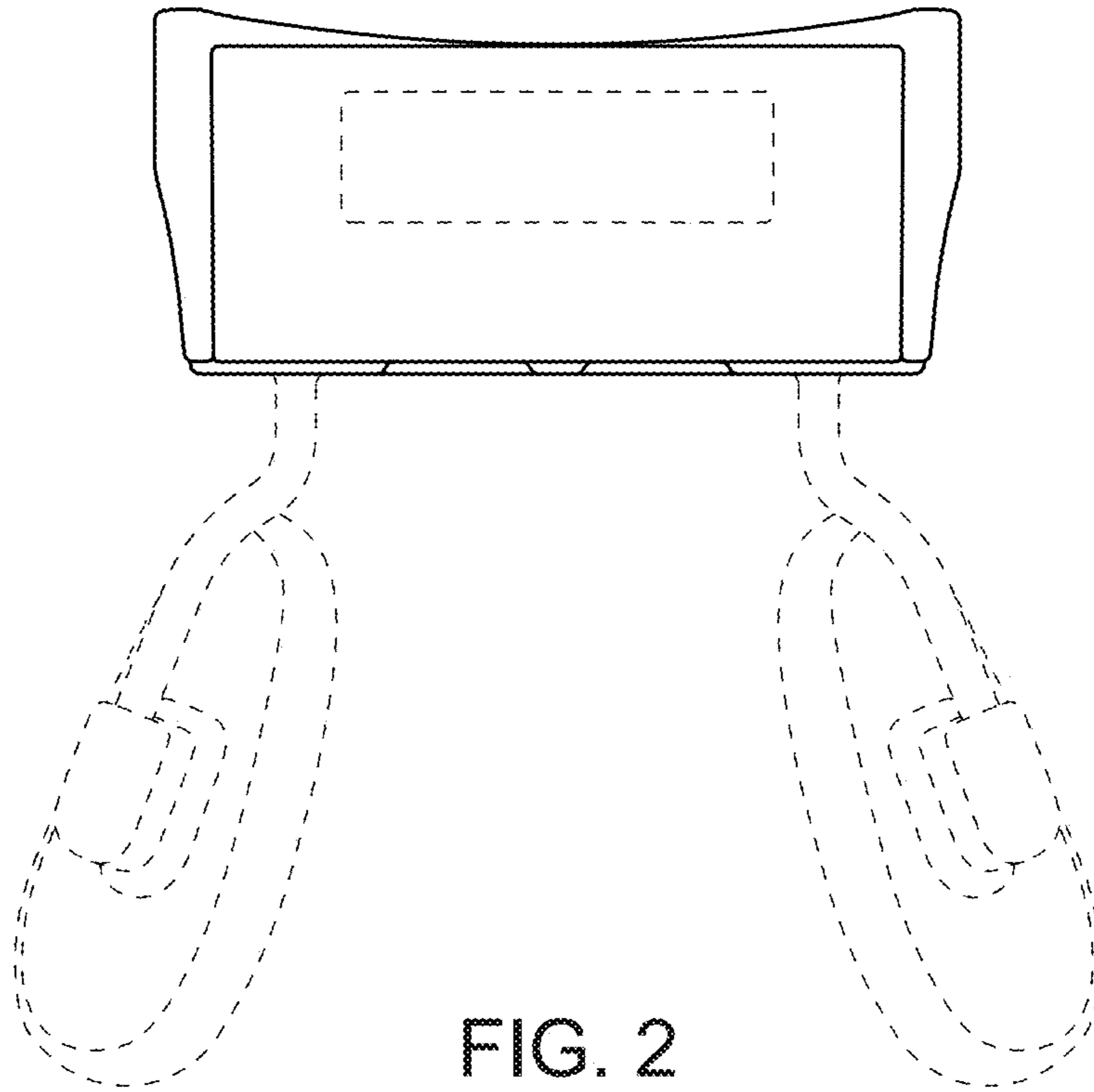


FIG. 1



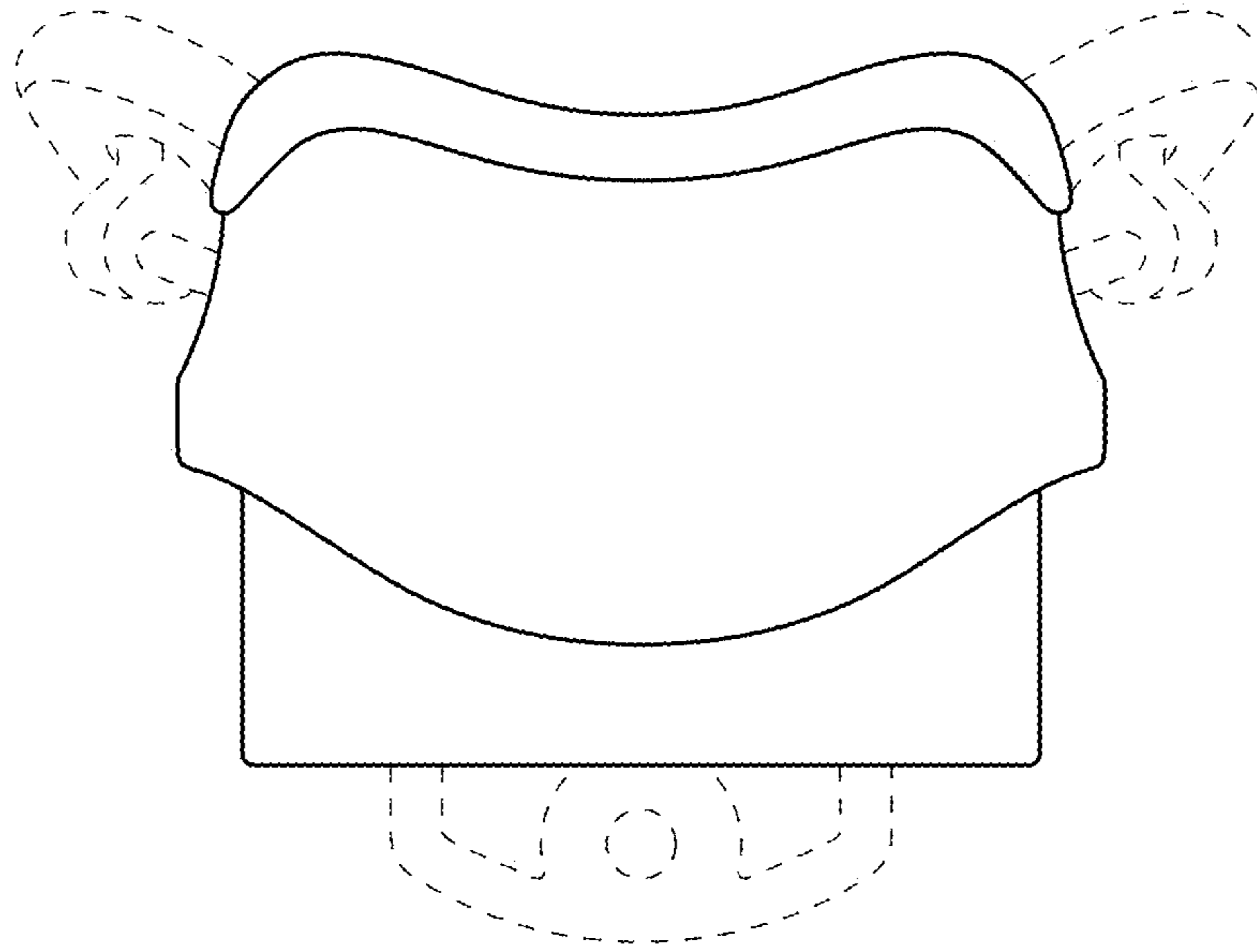


FIG. 4

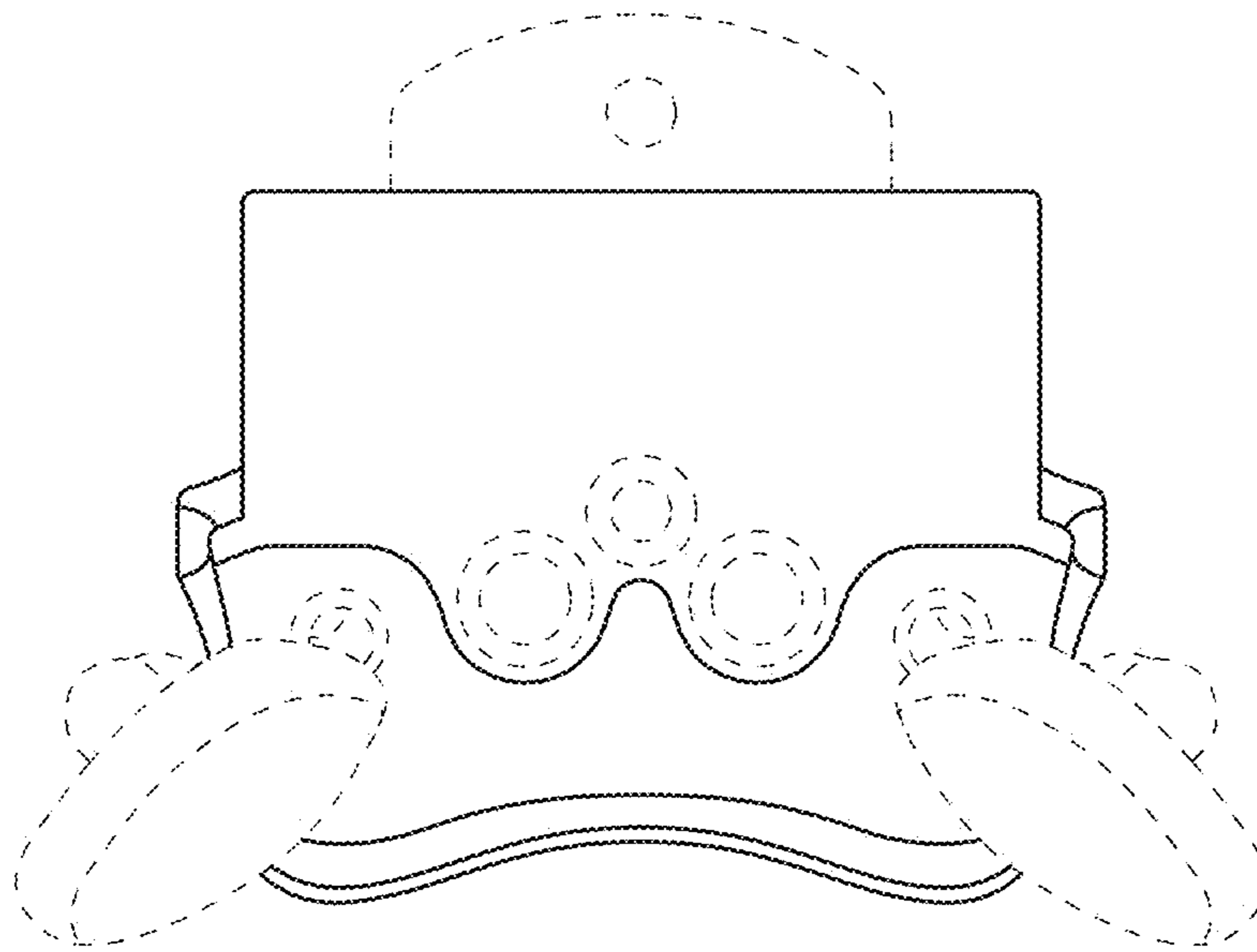


FIG. 5

FIG. 6

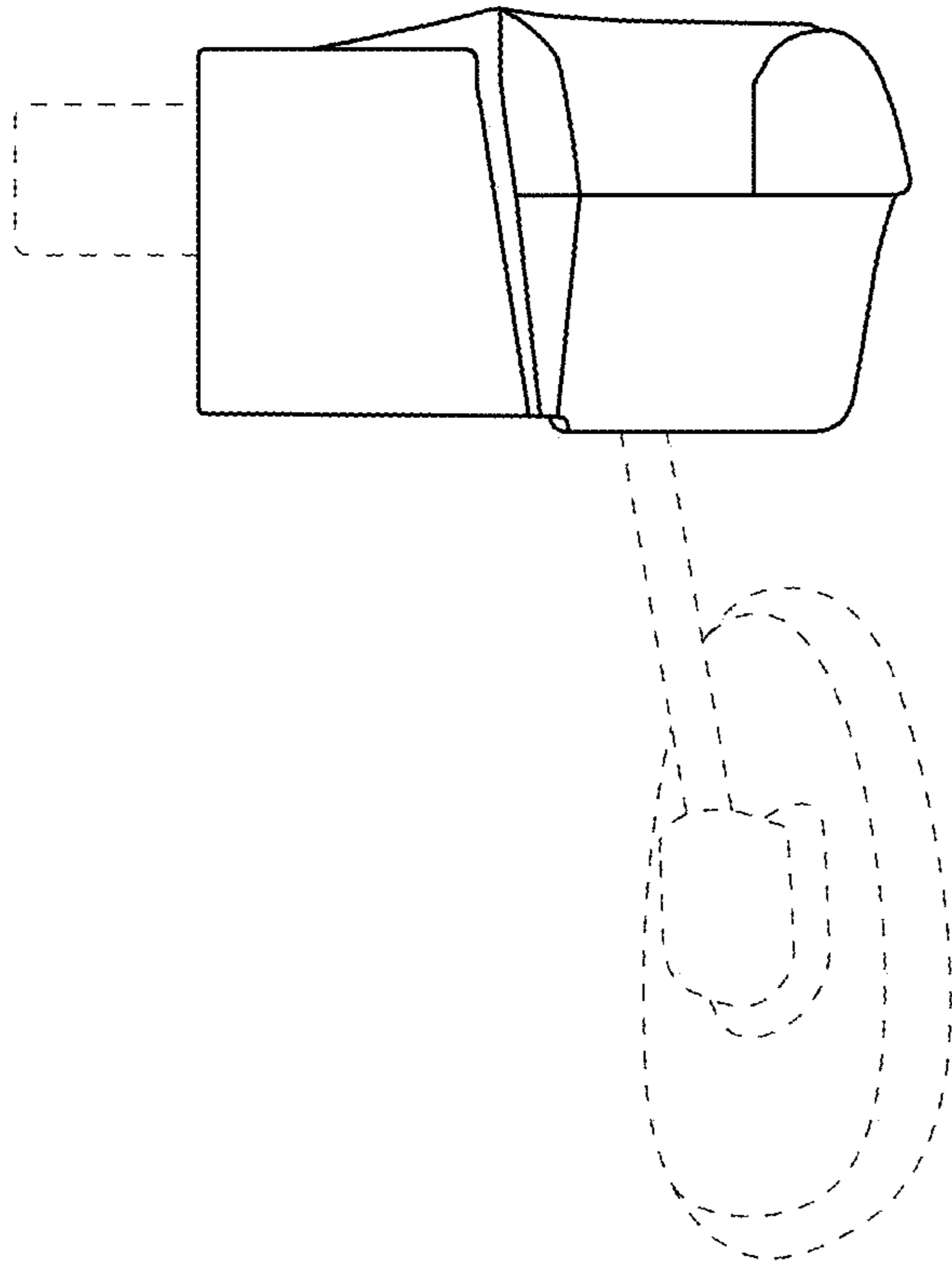


FIG. 7

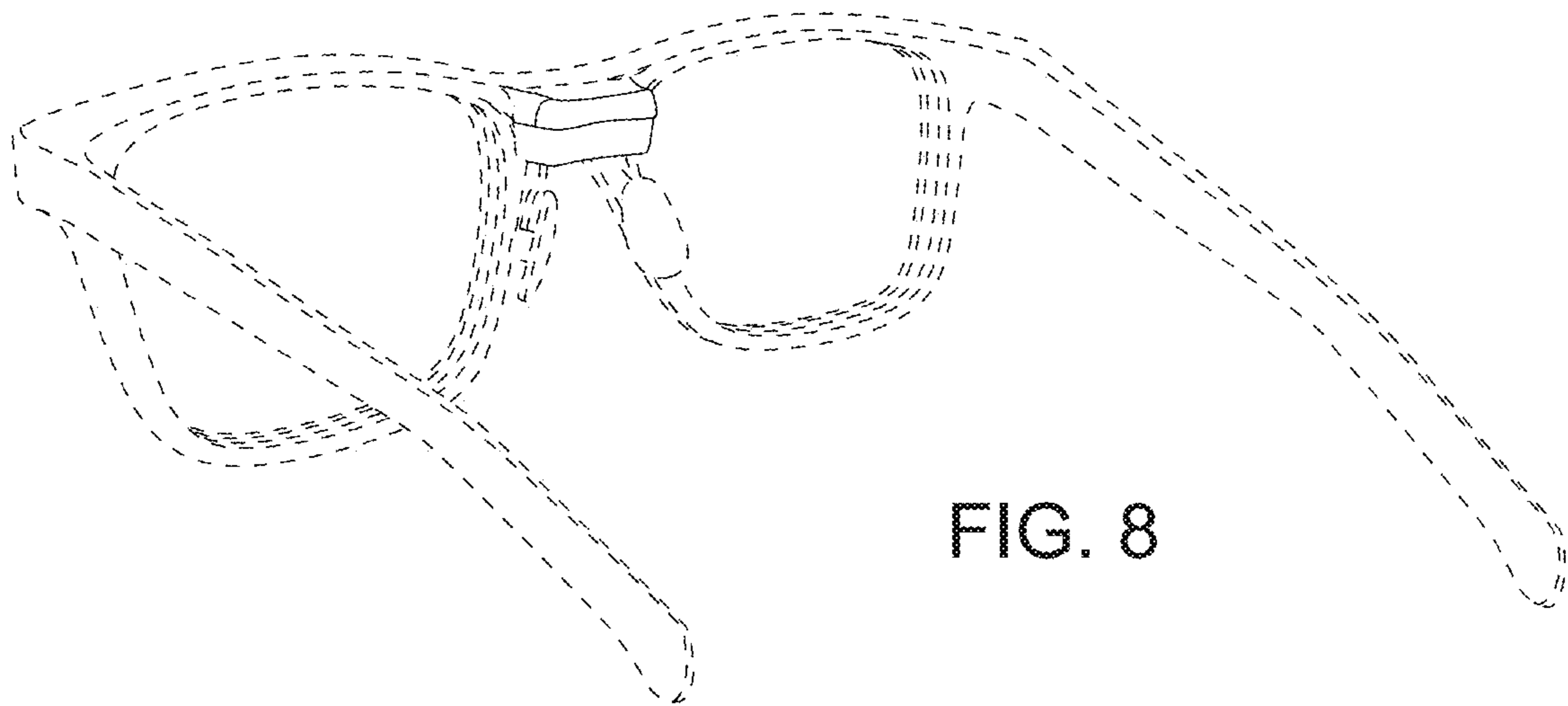
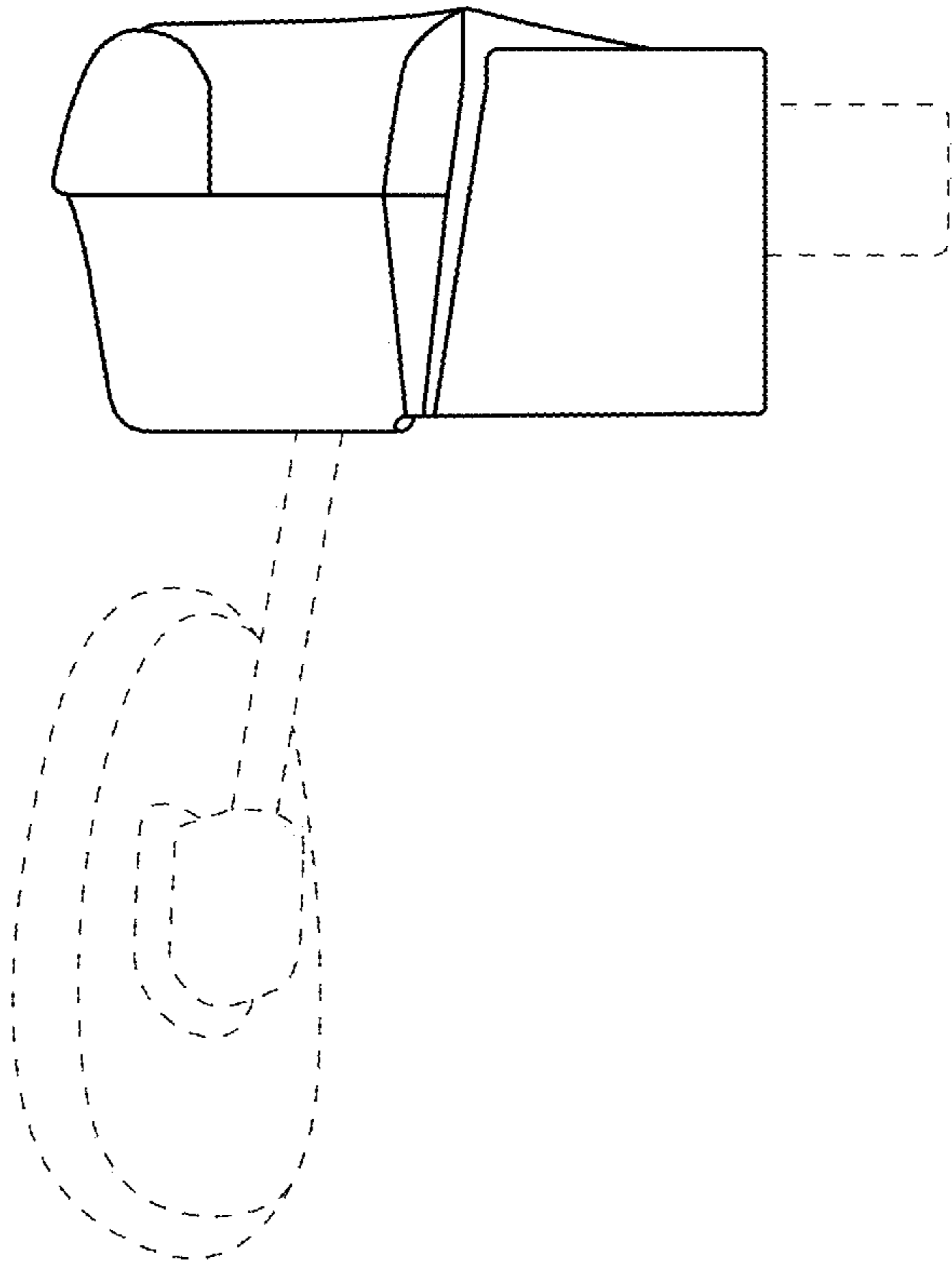


FIG. 8