

US00D906403S

(12) **United States Design Patent**  
**Vaaland et al.**

(10) **Patent No.: US D906,403 S**  
(45) **Date of Patent: \*\* Dec. 29, 2020**

(54) **CAMERA MOUNT ASSEMBLY**

- (71) Applicant: **Huddly AS**, Oslo (NO)
- (72) Inventors: **Kjartan Vaaland**, Oslo (NO); **Sondre Frost Urstad**, Oslo (NO)
- (73) Assignee: **HUDDLY AS**, Oslo (NO)
- (\*\*) Term: **15 Years**
- (21) Appl. No.: **29/669,796**
- (22) Filed: **Nov. 12, 2018**
- (51) **LOC (12) Cl.** ..... **16-05**
- (52) **U.S. Cl.**  
USPC ..... **D16/242**
- (58) **Field of Classification Search**  
USPC ..... D16/219, 237-250; D8/354, 355, 363,  
D8/373, 382-383, 394-396; D14/224,  
(Continued)

(56) **References Cited**

U.S. PATENT DOCUMENTS

- D366,887 S \* 2/1996 Wood ..... D16/242
  - D483,789 S \* 12/2003 Dordick ..... D16/242
- (Continued)

OTHER PUBLICATIONS

Huddly Mounting Bracket. [online] Published on Feb. 13, 2019. Retrieved Oct. 30, 2019 from URL:[https://www.amazon.com/Huddly-Mounting-Bracket-Combined-Bottom/dp/B07NPSGG4G/ref=asc\\_df\\_B07NPSGG4G/?tag=hyprod-20&linkCode=df0&hvadid=322002184011&hvpos=1o2&hvnetw=g&hvrand=14168528489776909494&hvpone=&hvptwo=&hvqmt=&hvdev=c&hvdvcm.\\*](https://www.amazon.com/Huddly-Mounting-Bracket-Combined-Bottom/dp/B07NPSGG4G/ref=asc_df_B07NPSGG4G/?tag=hyprod-20&linkCode=df0&hvadid=322002184011&hvpos=1o2&hvnetw=g&hvrand=14168528489776909494&hvpone=&hvptwo=&hvqmt=&hvdev=c&hvdvcm.*)

*Primary Examiner* — Vy N Koenig  
(74) *Attorney, Agent, or Firm* — EdgeTech Law LLP

(57) **CLAIM**

The ornamental design for a camera mount assembly, as shown and described.

**DESCRIPTION**

FIG. 1 is a front, top, and side perspective view of a camera mount assembly, consisting of an elongated movable member and mount stand, in a folded configuration in accordance with the present design;

FIG. 2 is a back, top, and side view thereof;

FIG. 3 is a front view thereof;

FIG. 4 is a top view thereof;

FIG. 5 is a side view thereof, showing the elongated movable member portion of the camera mount assembly in a first position;

FIG. 6 is a side view thereof, showing the elongated movable member portion of the camera mount assembly in a second position;

FIG. 7 is a side view thereof, showing the elongated movable member portion of the camera mount assembly in a third position;

FIG. 8 is a side view thereof, showing the elongated movable member portion of the camera mount assembly in a fourth position;

FIG. 9 is a back, bottom, and side perspective view thereof in an un-folded configuration, showing a closed aperture on the partially unfolded mount stand portion of the camera mount assembly;

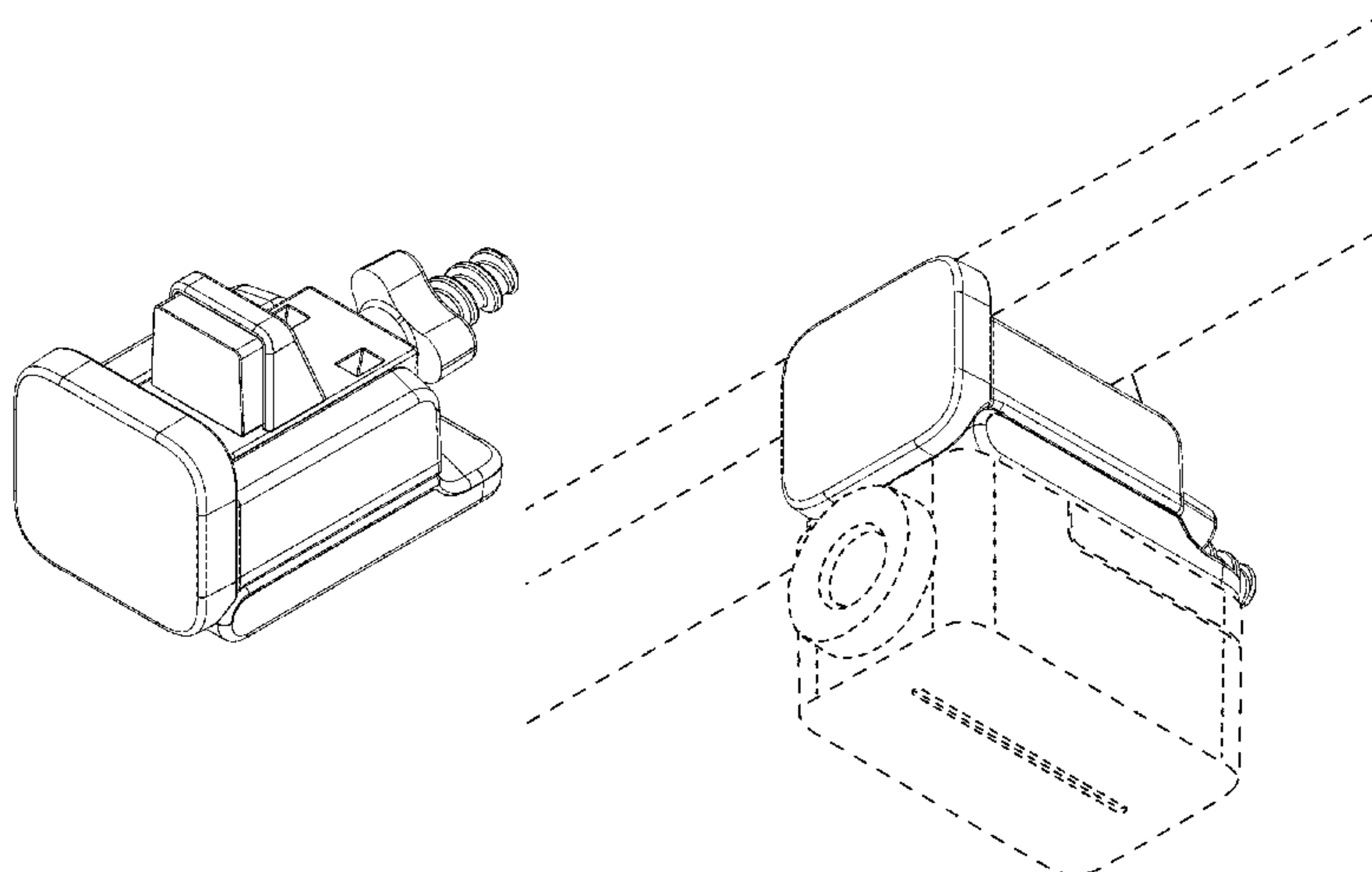
FIG. 10 is a back, bottom, and side perspective view thereof in an un-folded configuration, showing a partially closed aperture on the partially unfolded mount stand portion of the camera mount assembly;

FIG. 11 is a back, bottom, and side perspective view thereof in an un-folded configuration, showing the aperture uncovered on the partially unfolded mount stand portion of the camera mount assembly;

FIG. 12 is a front, bottom, and side perspective view of a camera mount in a folded configuration in accordance with the present design, hanging on an unclaimed elongated structure, the bottom of which attached thereto an unclaimed camera; and,

FIG. 13 is a front, top, and side perspective view of a camera mount in a partially unfolded configuration in accordance with present design, resting against an unclaimed elongated structure, the top of which attached thereto an unclaimed camera.

(Continued)



The broken lines in FIGS. 12 and 13 depict environmental subject matter, specifically an elongated structure and camera, and form no part of the claimed design.

**1 Claim, 7 Drawing Sheets**

(58) **Field of Classification Search**

USPC ..... D14/229, 238, 251, 253, 356, 447, 451,  
D14/457

CPC ..... A45F 5/00; A45F 5/10; A45F  
2200/0508-0533; F16M 11/06-10; F16M  
11/14; G02B 7/00-002; G03B 17/56;  
G03B 17/561-566; H04N 5/2253-2254

See application file for complete search history.

(56) **References Cited**

U.S. PATENT DOCUMENTS

D717,307 S \* 11/2014 Chun ..... D14/447  
D780,743 S \* 3/2017 Chun ..... D14/253  
D783,012 S \* 4/2017 Lee ..... D14/253  
D828,865 S \* 9/2018 Zeng ..... D16/242  
D838,712 S \* 1/2019 Wang ..... D14/253  
D879,863 S \* 3/2020 Chuang ..... D16/242  
2011/0216195 A1\* 9/2011 Tanaka ..... H04N 5/2253  
348/148  
2017/0264329 A1\* 9/2017 Balmer ..... A45F 5/10

\* cited by examiner

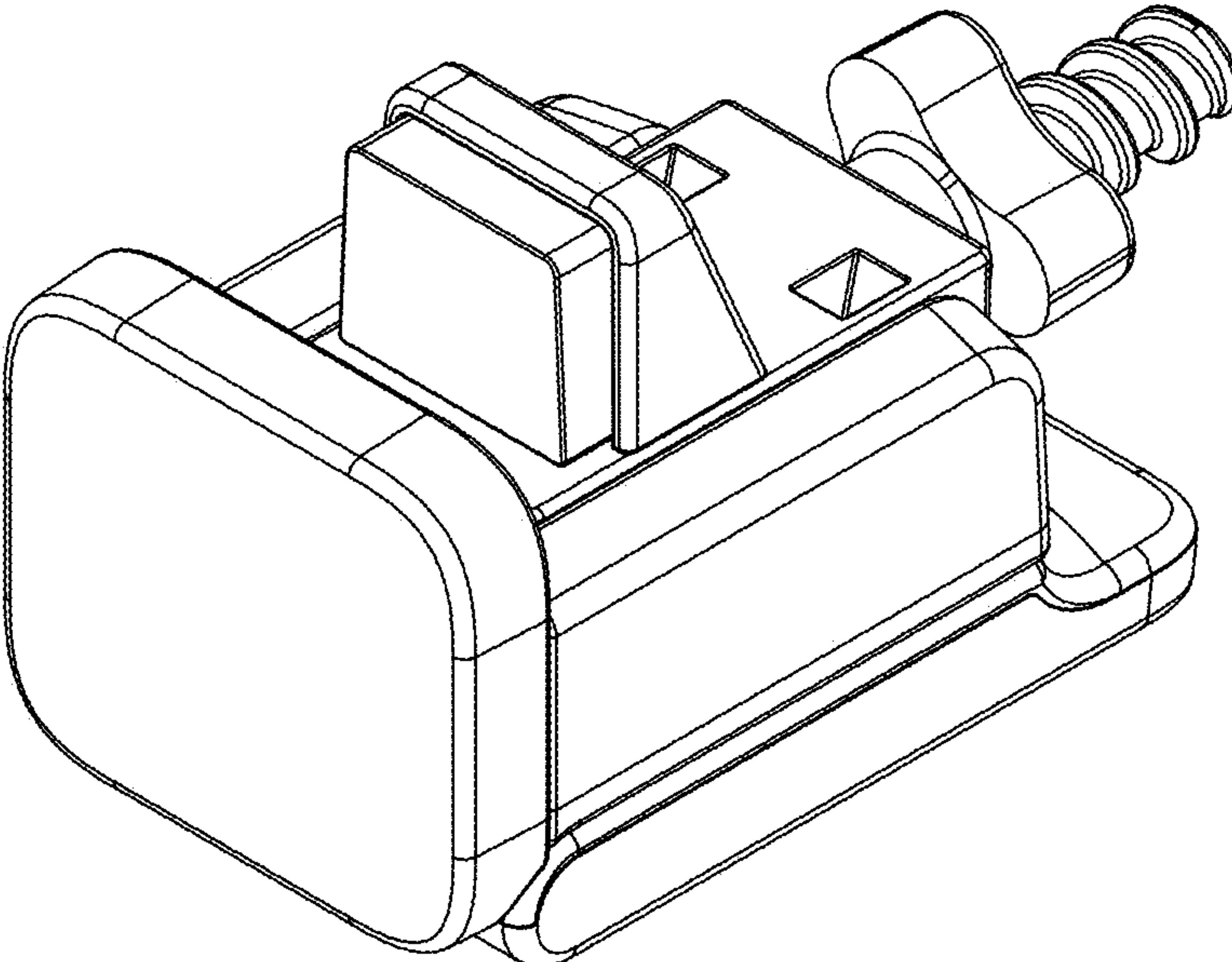


FIG. 1

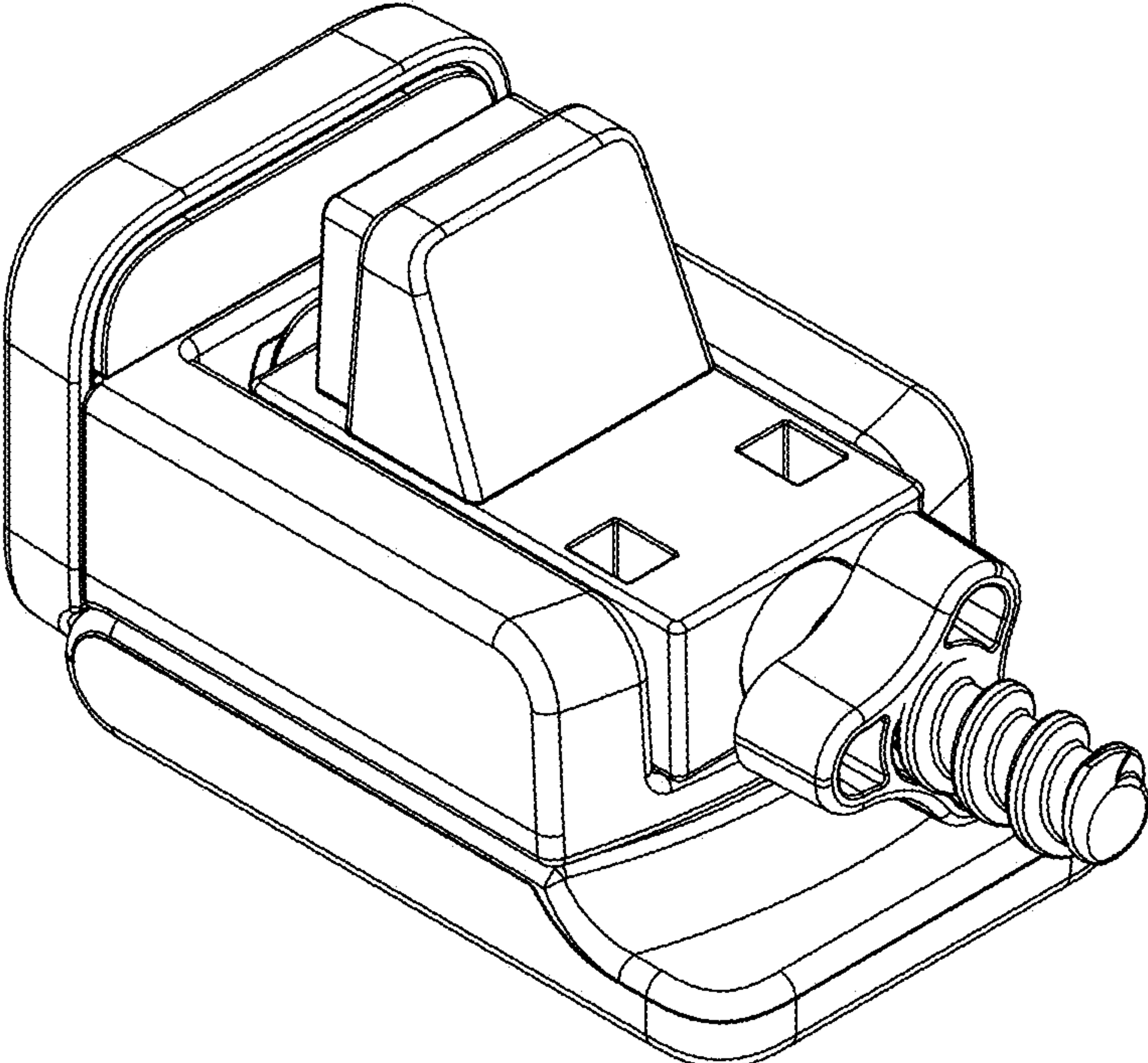


FIG. 2



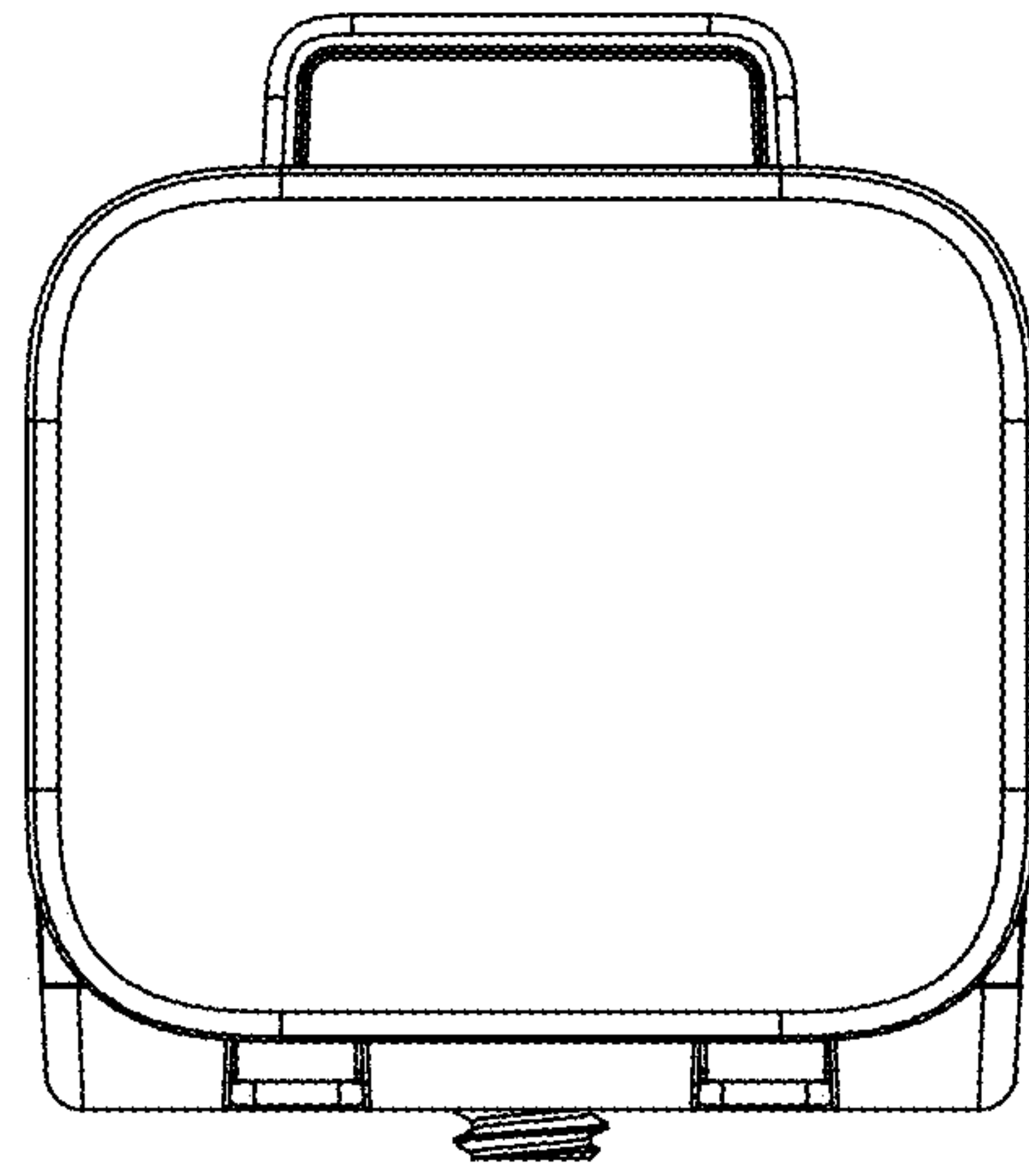


FIG. 3

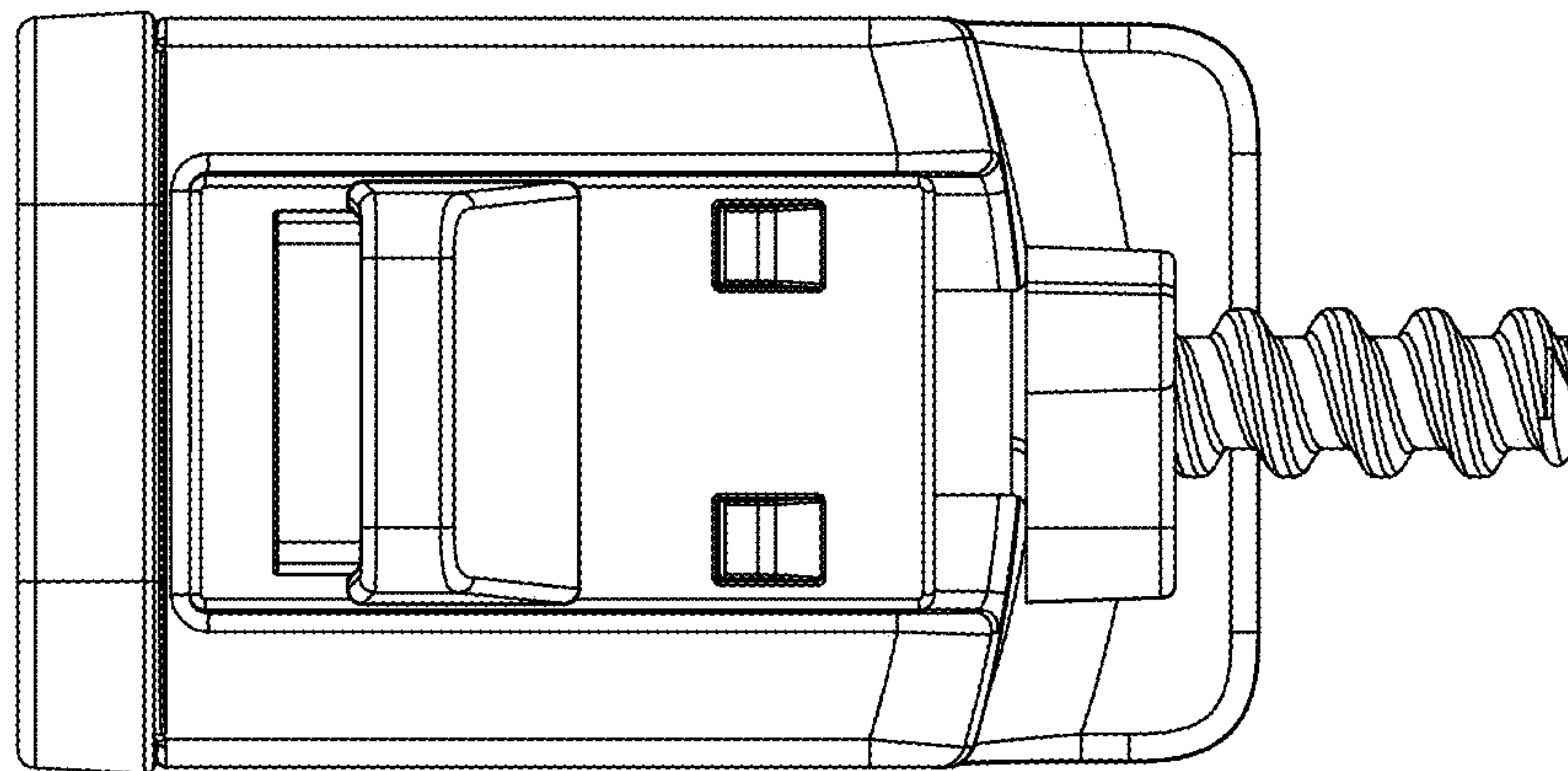


FIG. 4

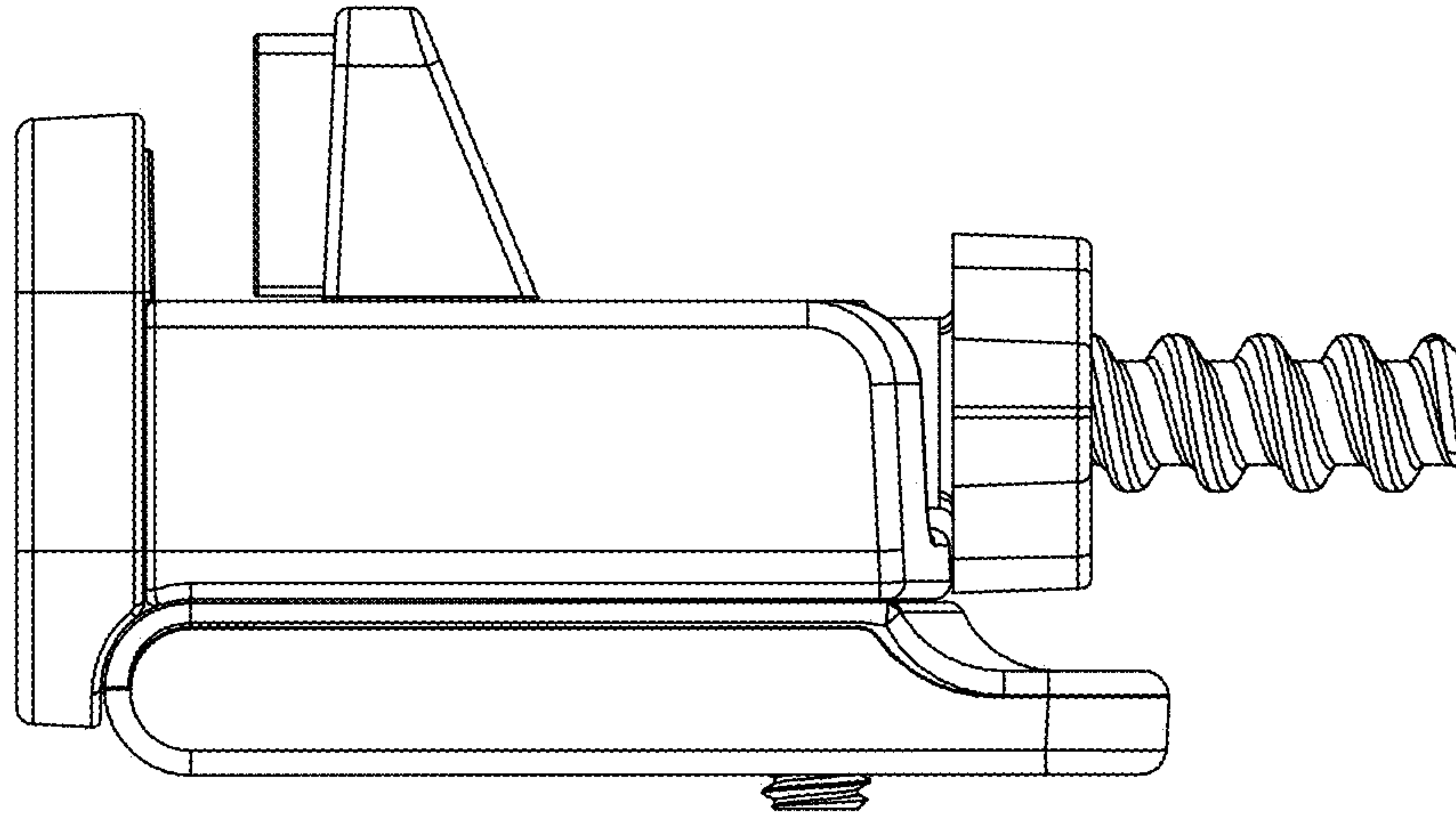


FIG. 5

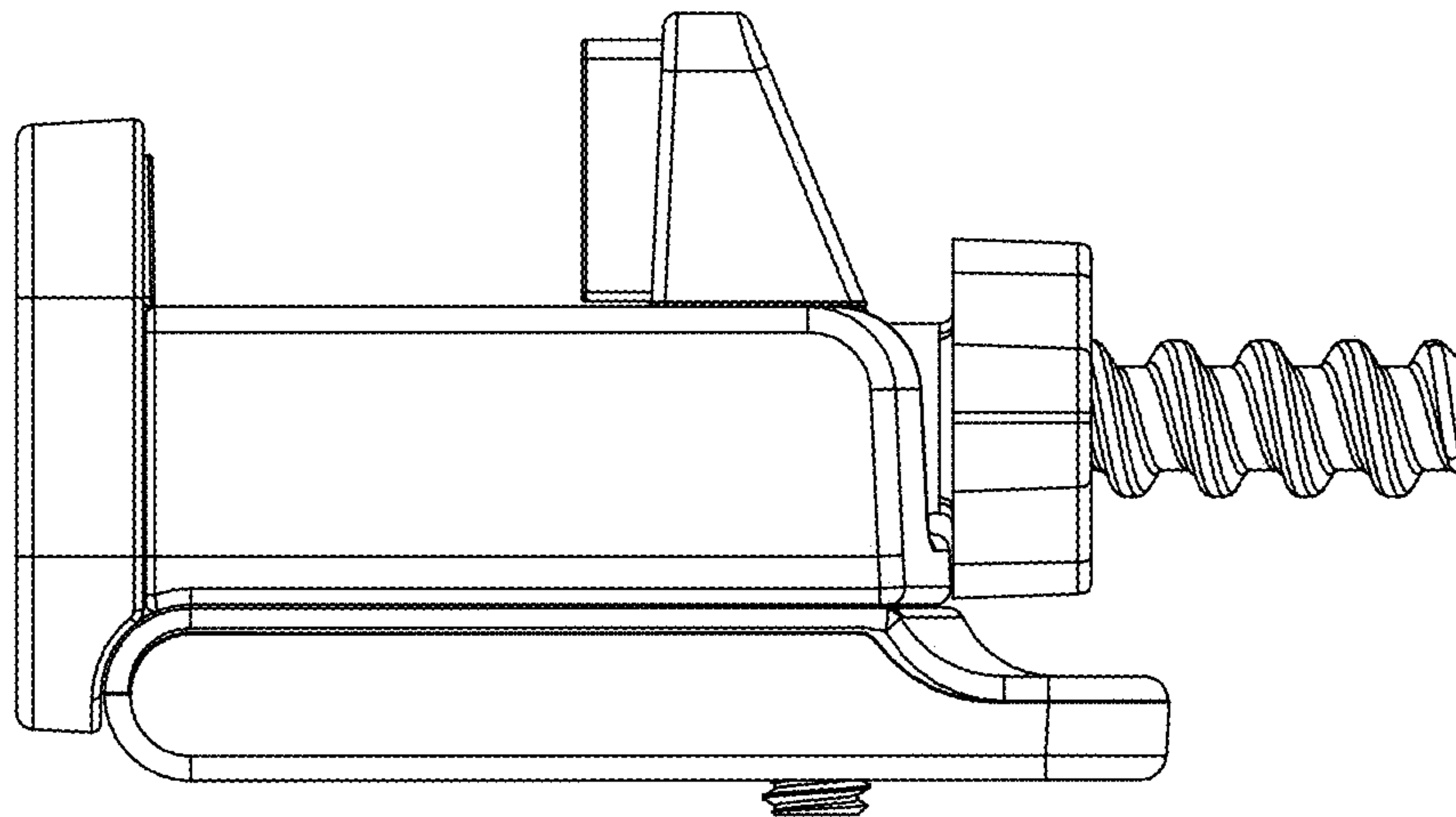


FIG. 6

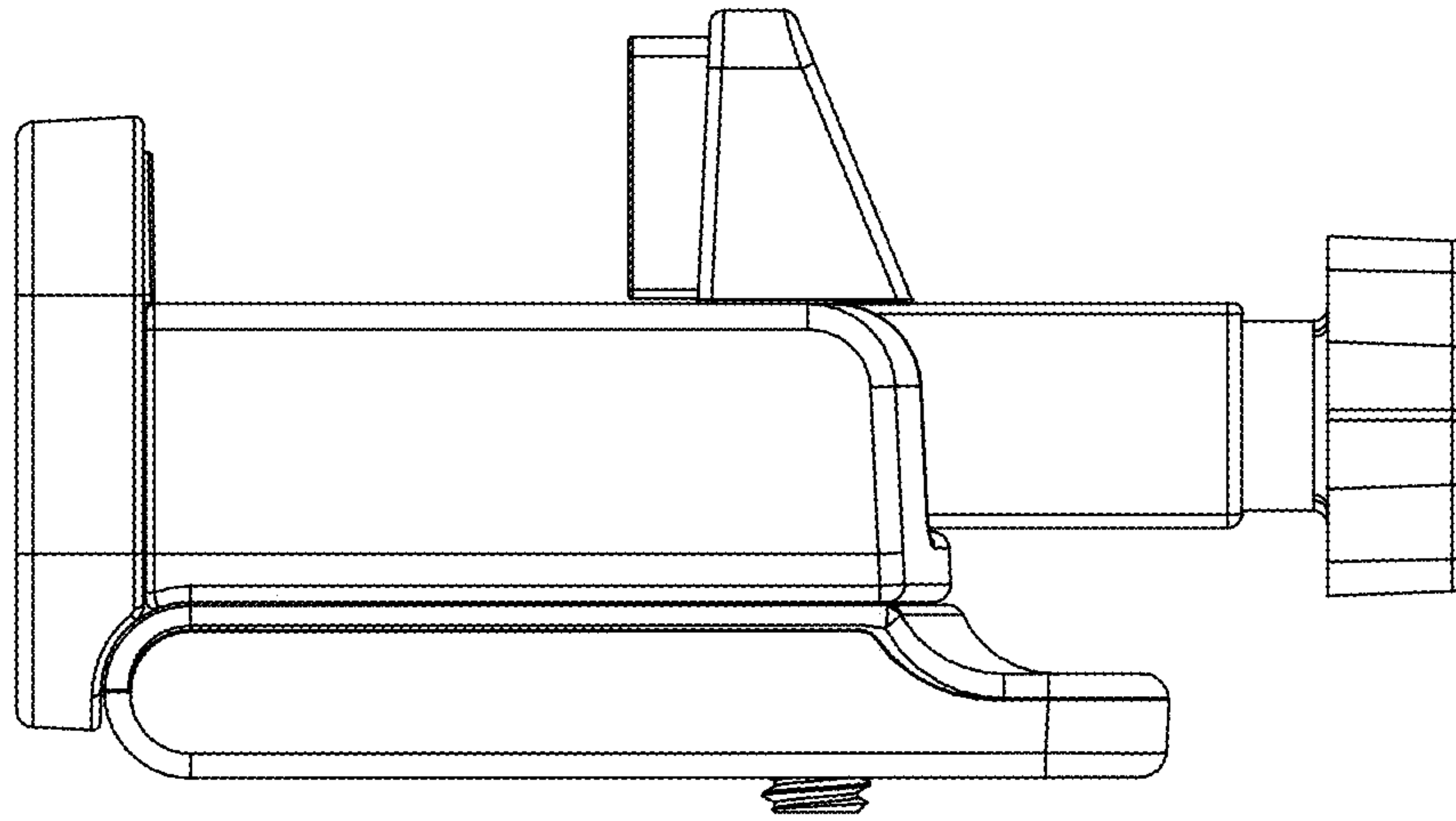


FIG. 7

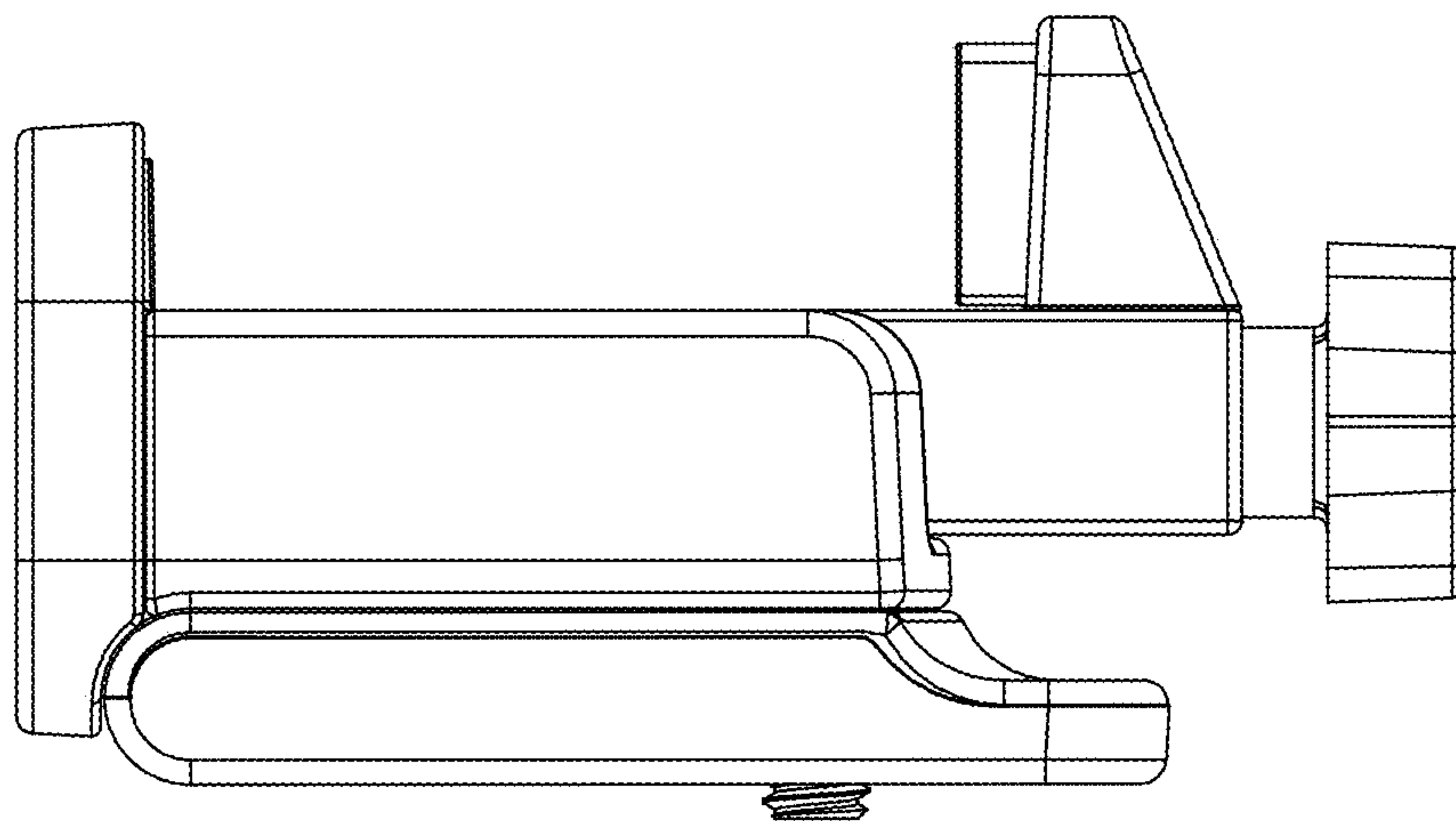


FIG. 8

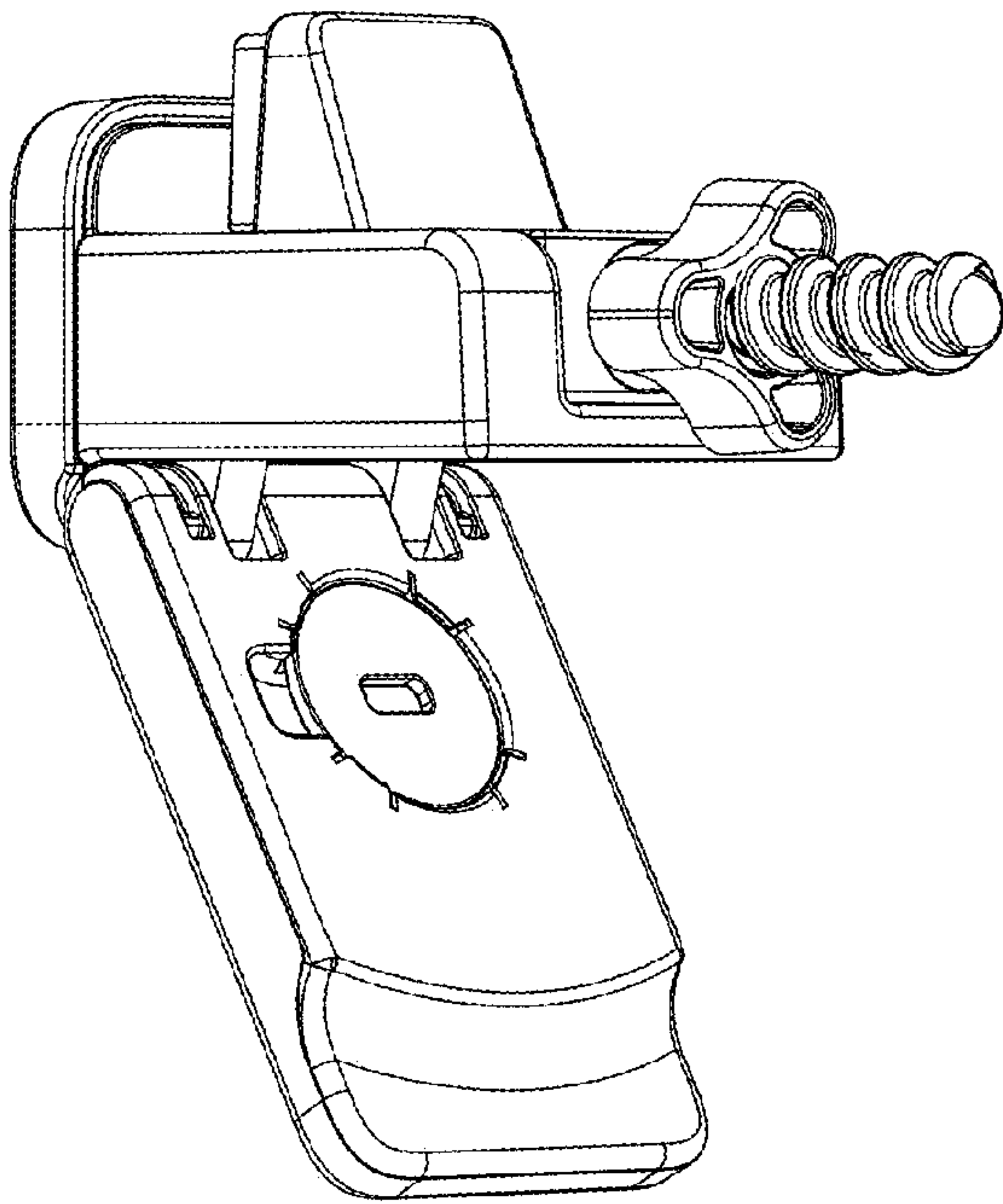


FIG. 9

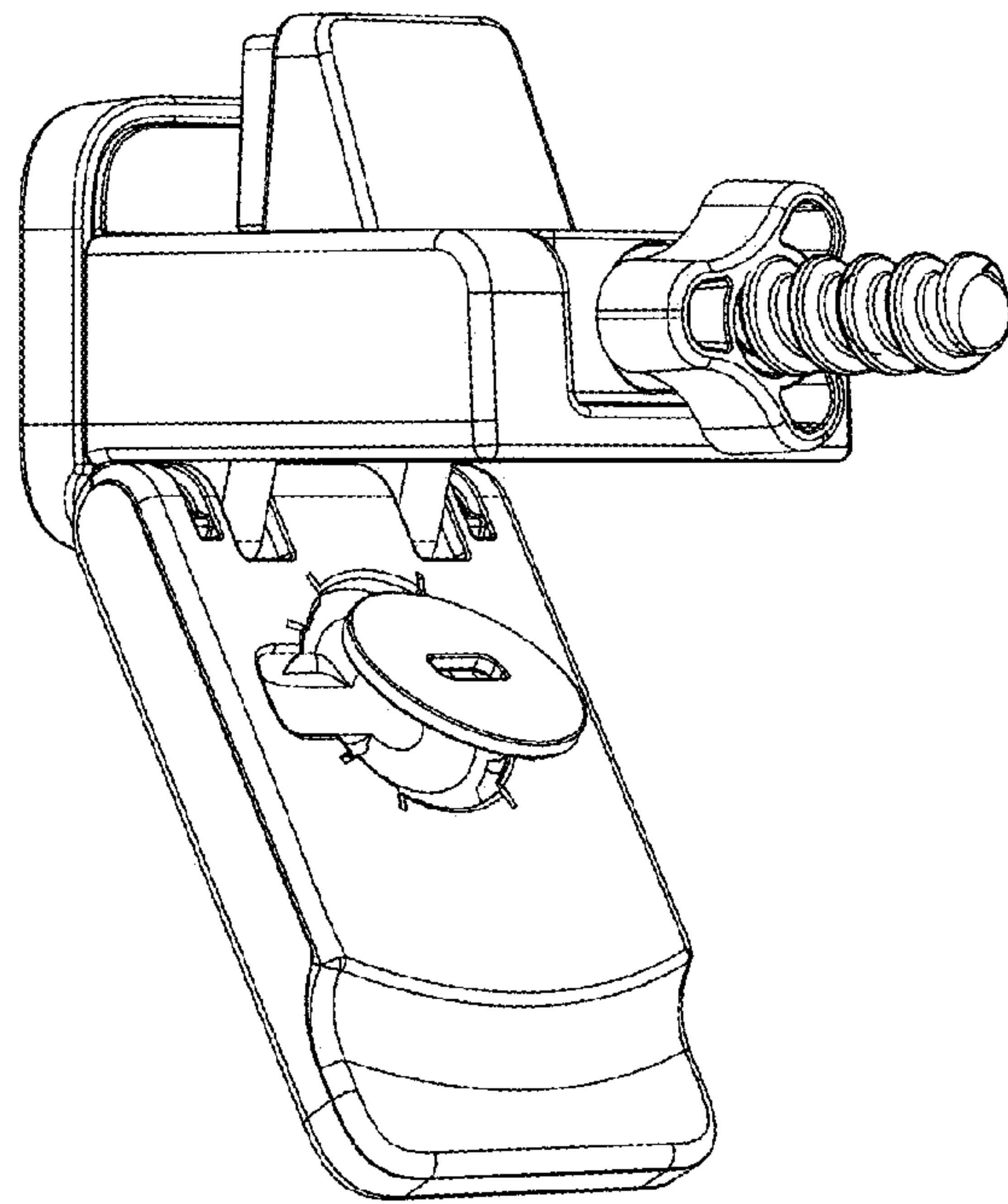


FIG. 10

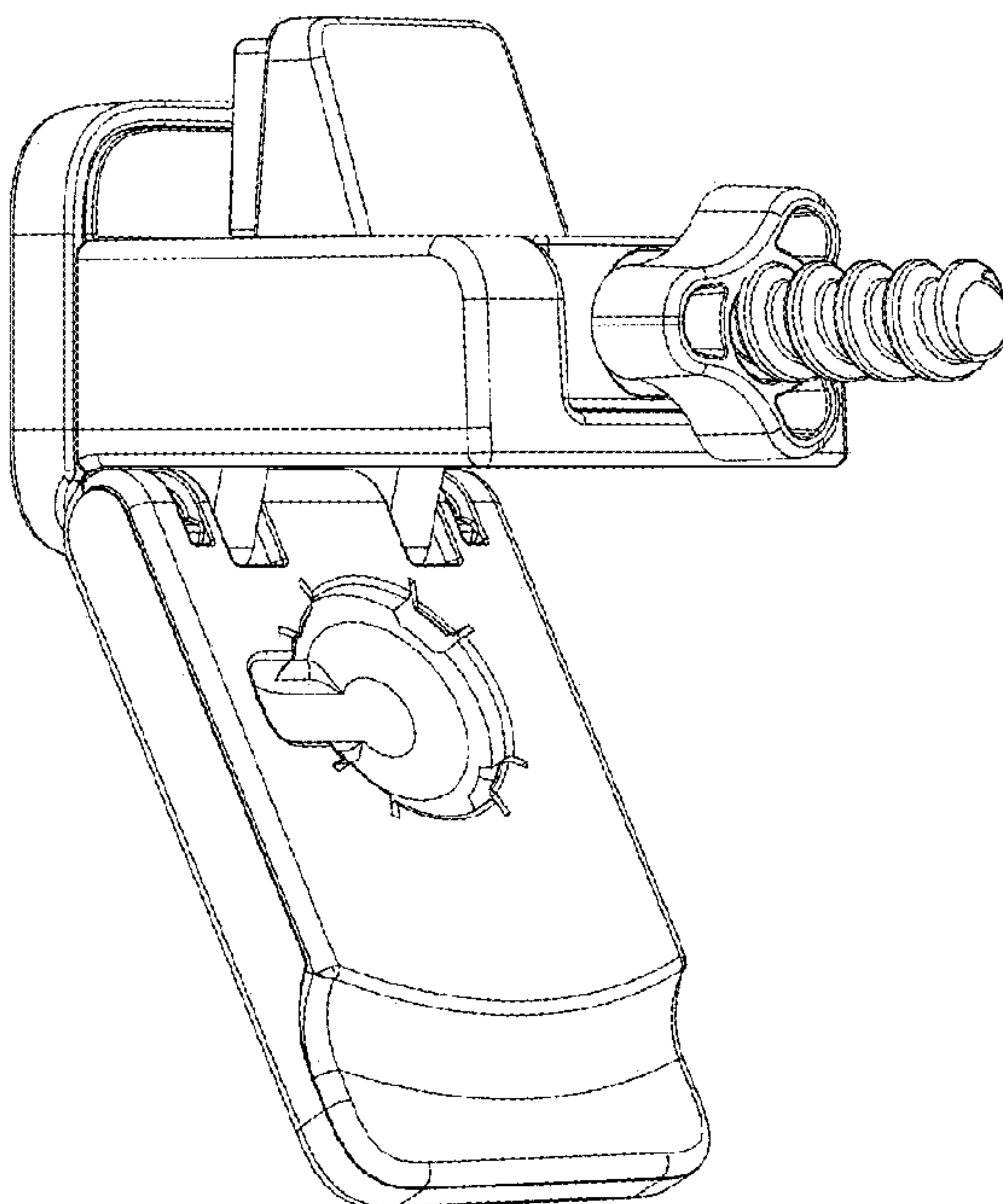


FIG. 11

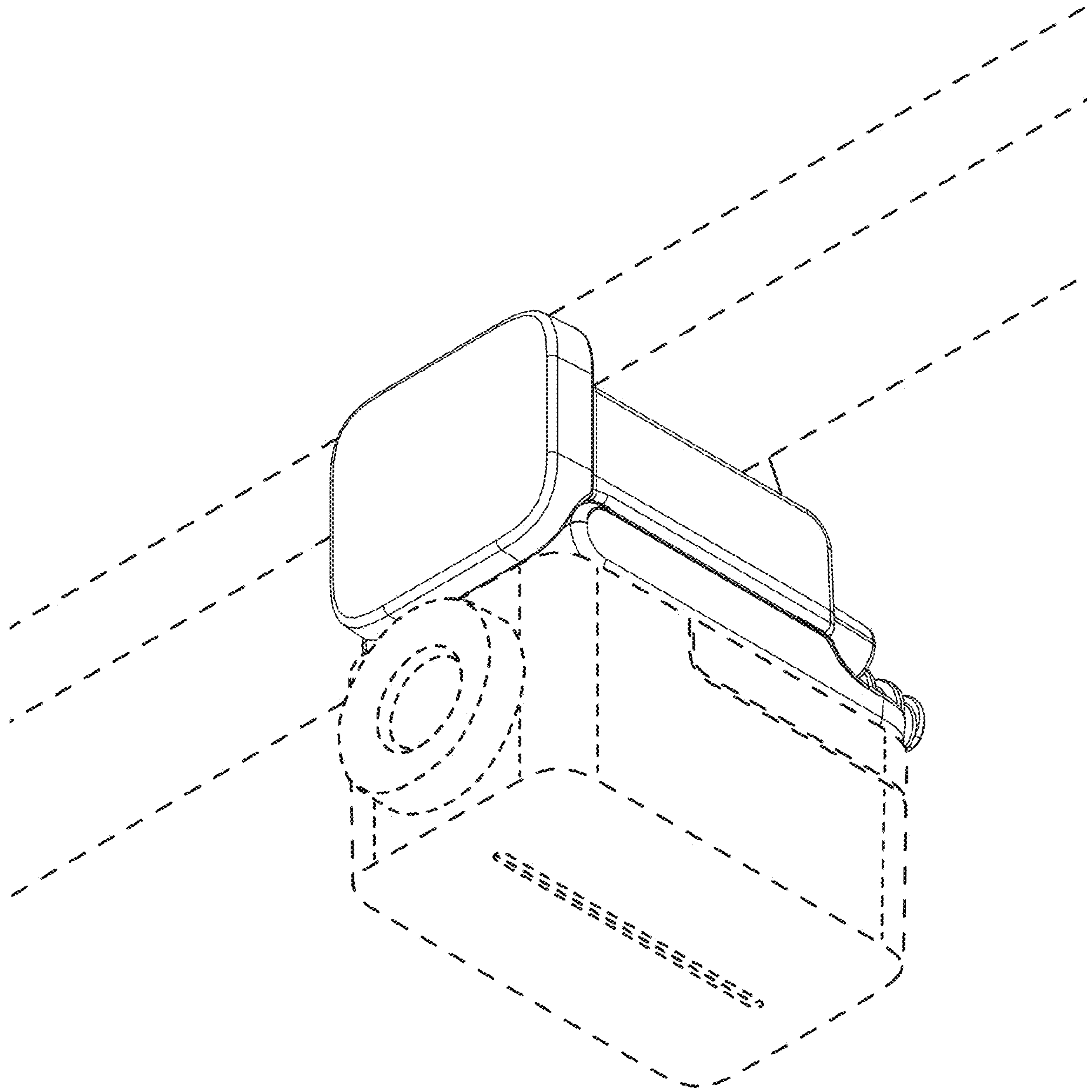


FIG. 12



FIG. 13

