



US00D906401S

(12) **United States Design Patent** (10) **Patent No.:** **US D906,401 S**
Wu et al. (45) **Date of Patent:** **** Dec. 29, 2020**

(54) **PROJECTOR EQUIPPED WITH LAMP**

(71) Applicants: **Tung-Ying Wu**, Taipei (TW);
Ming-Chung Liu, Taipei (TW);
Kuan-Chang Lee, Taipei (TW)

(72) Inventors: **Tung-Ying Wu**, Taipei (TW);
Ming-Chung Liu, Taipei (TW);
Kuan-Chang Lee, Taipei (TW)

(73) Assignee: **COMPAL ELECTRONICS, INC.**,
Taipei (TW)

(**) Term: **15 Years**

(21) Appl. No.: **29/671,318**

(22) Filed: **Nov. 26, 2018**

(30) **Foreign Application Priority Data**

May 30, 2018 (TW) 107303062

(51) **LOC (12) Cl.** **16-05**

(52) **U.S. Cl.**
USPC **D16/221; D16/235; D26/107**

(58) **Field of Classification Search**
USPC D16/221, 225, 229, 232, 235; D26/51,
D26/61, 63, 107

CPC G03B 21/00; G03B 21/001; G03B 21/12;
G03B 21/14; G03B 21/30; G03B 21/132;
G03B 21/145

See application file for complete search history.

(56) **References Cited**

U.S. PATENT DOCUMENTS

D581,571 S * 11/2008 Levine D26/63
D647,906 S * 11/2011 Shen D14/423
D665,938 S * 8/2012 Kim D26/63
D699,242 S * 2/2014 Hu D14/423
D758,631 S * 6/2016 Cai D26/63
D804,071 S * 11/2017 Xu D26/63
D804,704 S * 12/2017 Xia D26/107

D818,516 S * 5/2018 Yamakose D16/211
D835,330 S * 12/2018 Richardson D26/107
D847,403 S * 4/2019 Baker D26/107
D858,835 S * 9/2019 Xiao D26/51

(Continued)

Primary Examiner — Wan Laymon

Assistant Examiner — Clint A Samuel

(74) *Attorney, Agent, or Firm* — JCIPRNET

(57) **CLAIM**

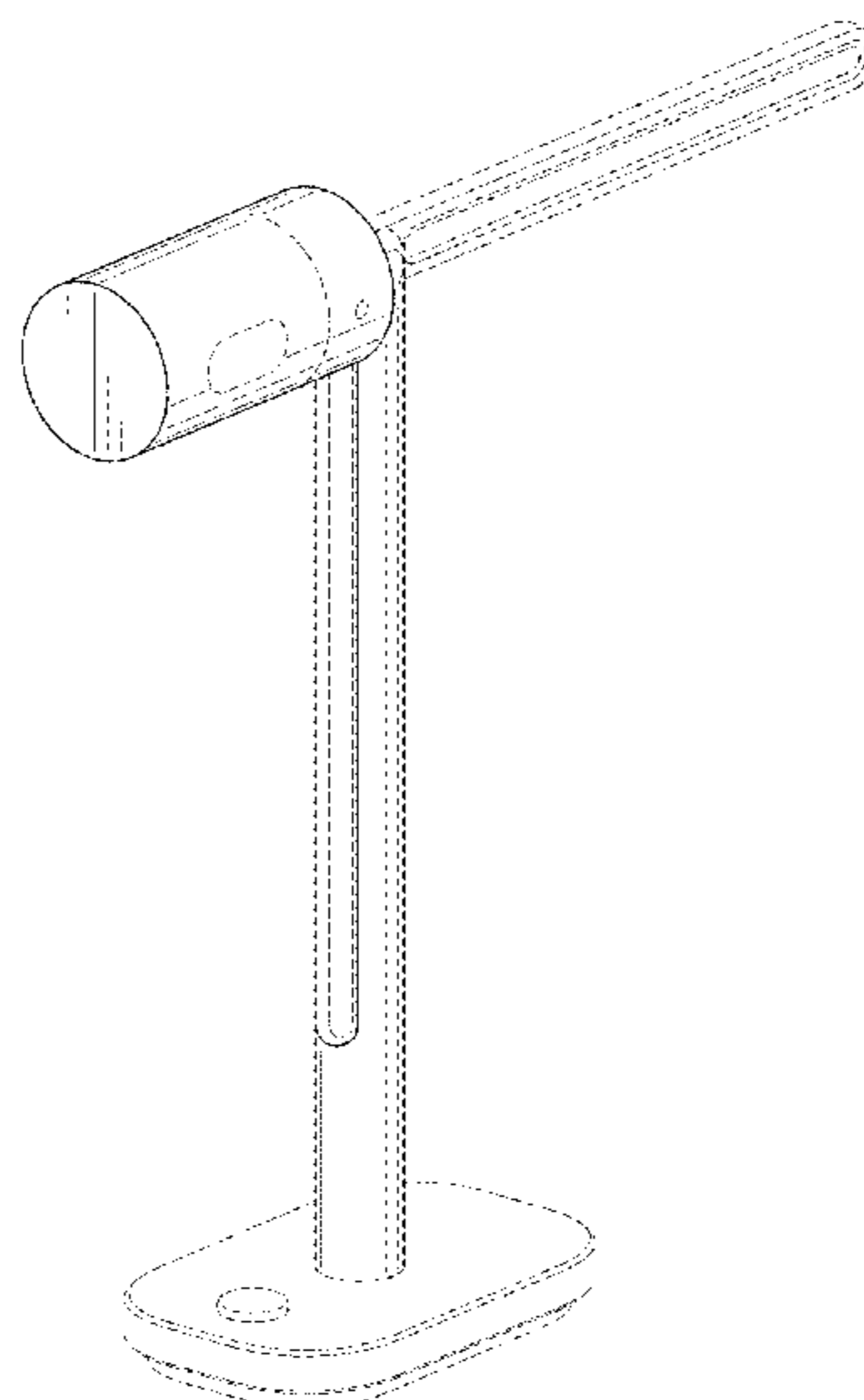
The ornamental design for a projector equipped with lamp, as shown and described.

DESCRIPTION

FIG. 1 is a perspective view of a projector equipped with lamp showing our new design;
FIG. 2 is a front view thereof;
FIG. 3 is a rear view thereof;
FIG. 4 is a left side view thereof;
FIG. 5 is a right side view thereof;
FIG. 6 is a top view thereof;
FIG. 7 is a bottom view thereof;
FIG. 8 is a perspective view thereof in a using state in which the projection portion is rotated by an angle;
FIG. 9 is a perspective view thereof in a folded state;
FIG. 10 is a front view thereof in a folded state;
FIG. 11 is a rear view thereof in a folded state;
FIG. 12 is a left side view thereof in a folded state;
FIG. 13 is a right side view thereof in a folded state;
FIG. 14 is a top view thereof in a folded state;
FIG. 15 is a bottom view thereof in a folded state;
FIG. 16 is an enlarged view of the portion, labeled '16' of FIG. 10; and,
FIG. 17 is an enlarged view of the portion, labeled '17' of FIG. 11.

The dashed broken lines illustrate portions of the projector equipped with lamp and form no part of the claimed design. The dot-dash broken lines define the bounds of the claimed design and form no part thereof.

1 Claim, 14 Drawing Sheets



(56)

References Cited

U.S. PATENT DOCUMENTS

D863,409 S * 10/2019 Wang D16/235
D874,048 S * 1/2020 Gillespie D26/107

* cited by examiner

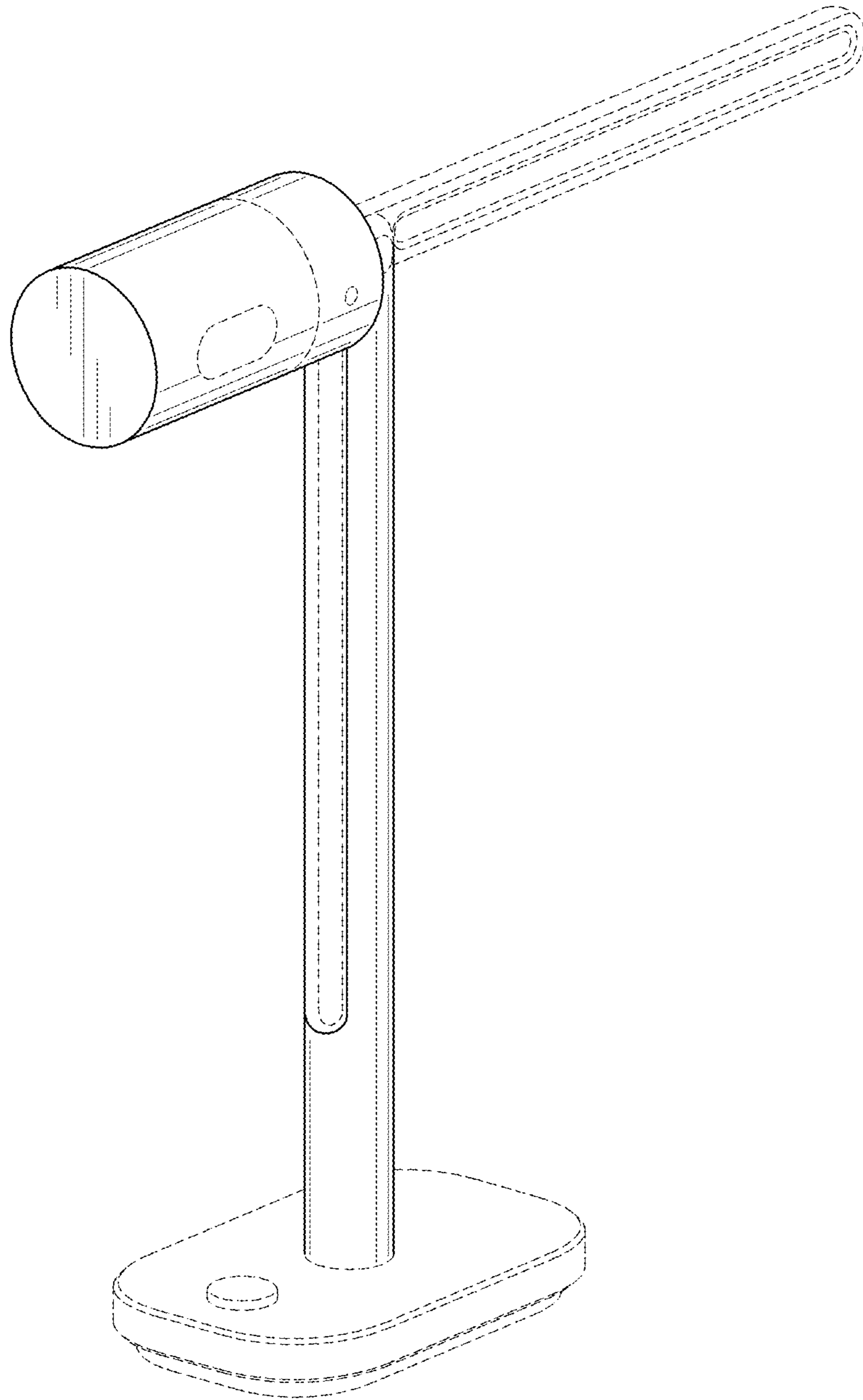


FIG. 1

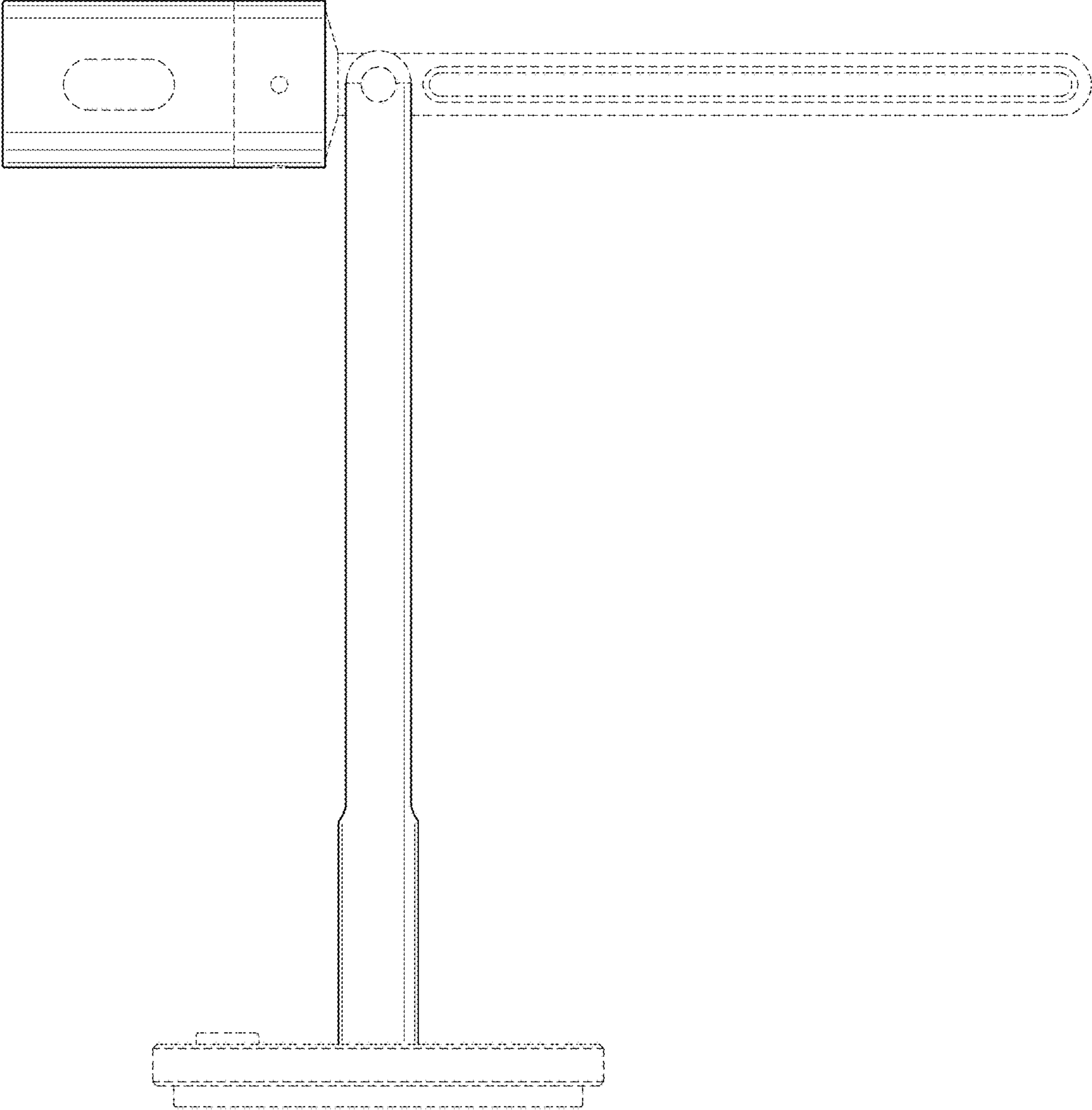


FIG. 2

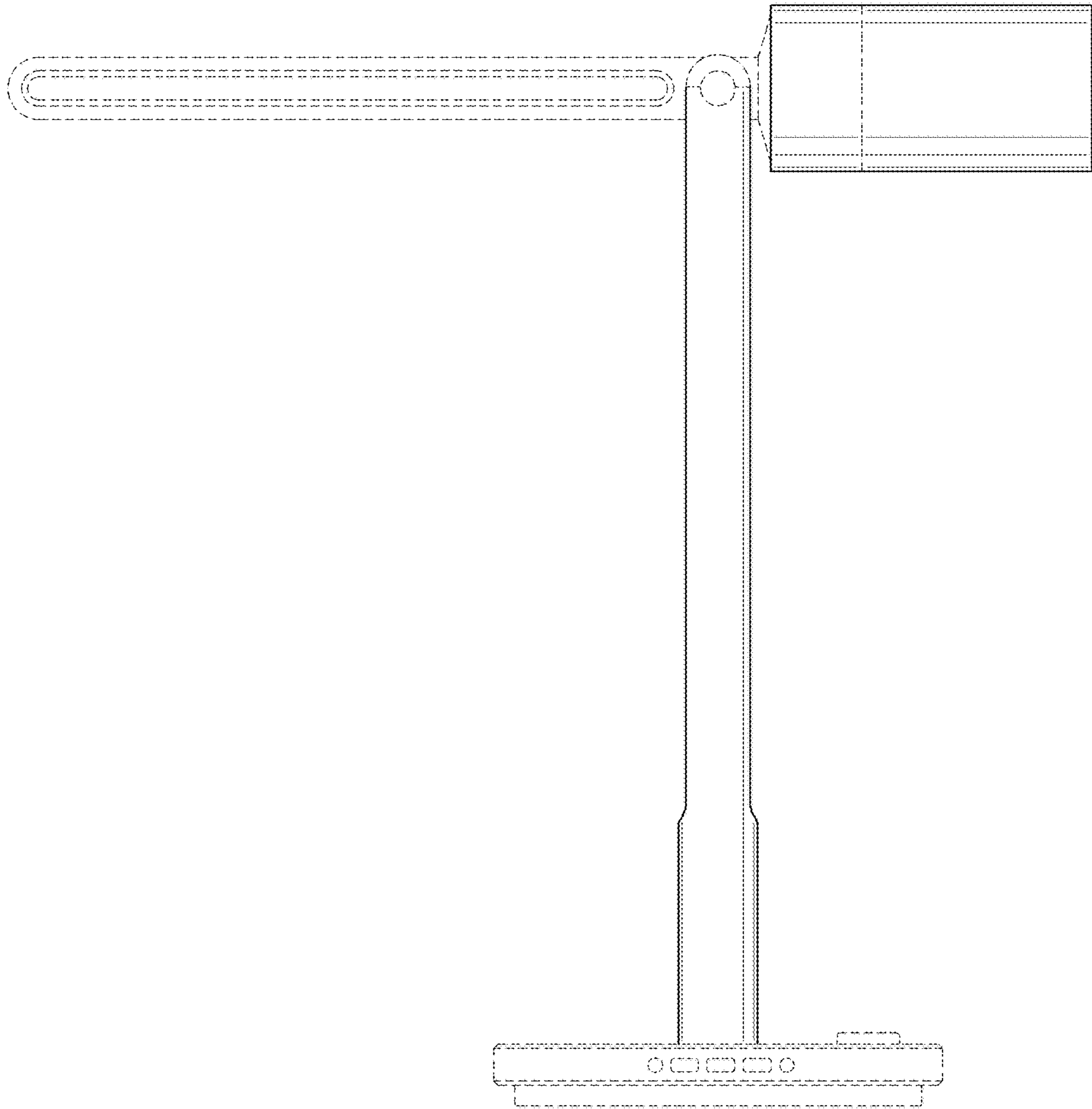


FIG. 3

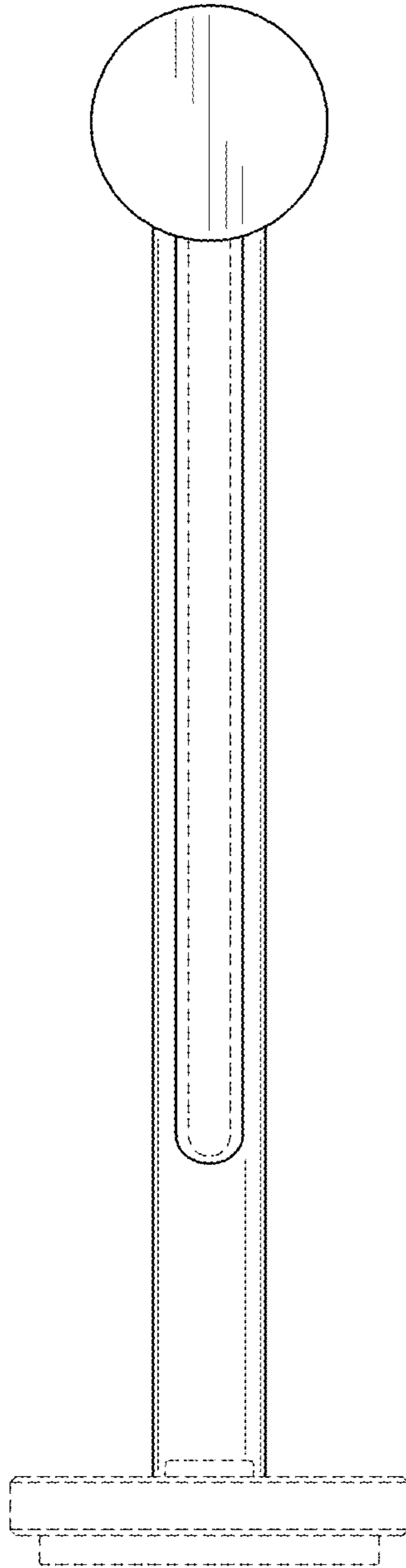


FIG. 4

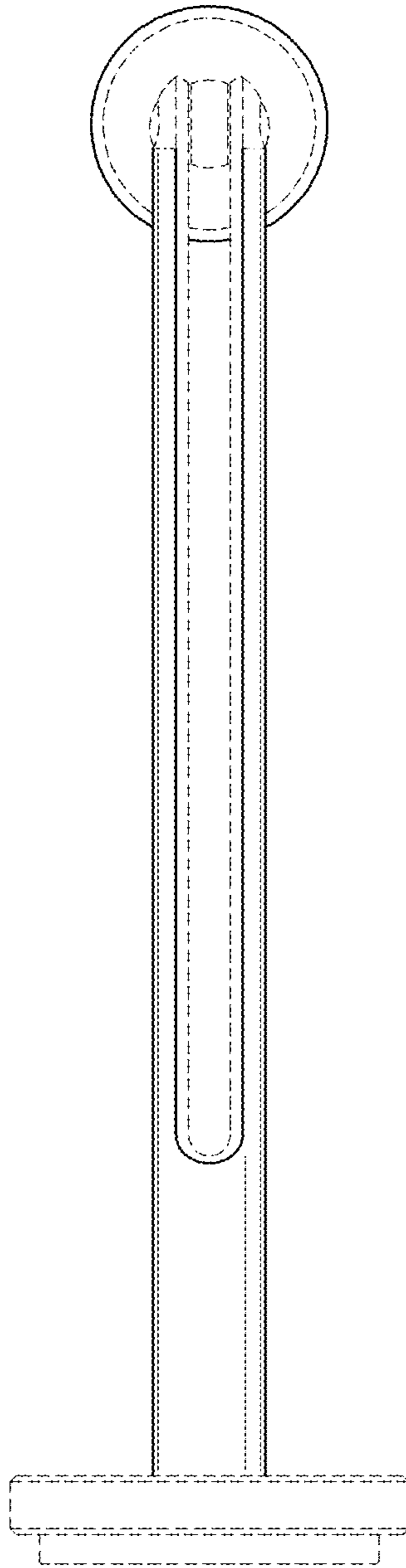


FIG. 5

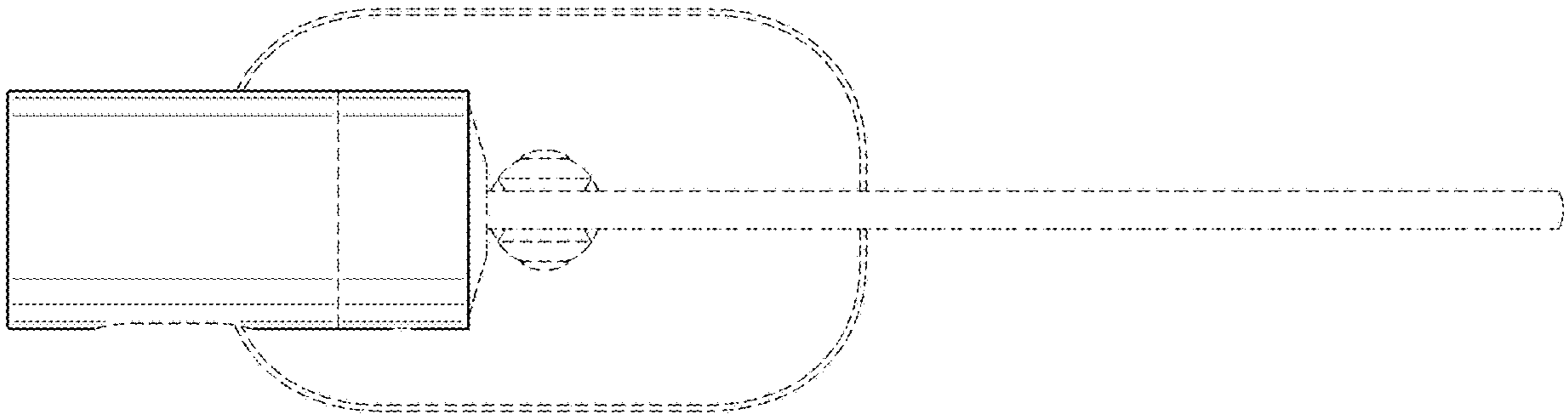


FIG. 6

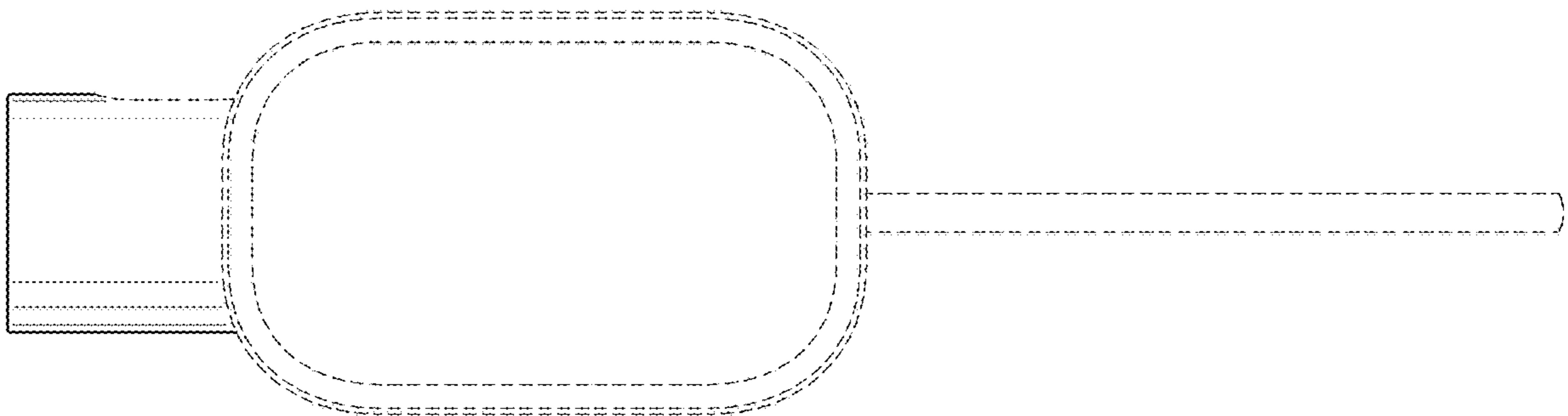


FIG. 7

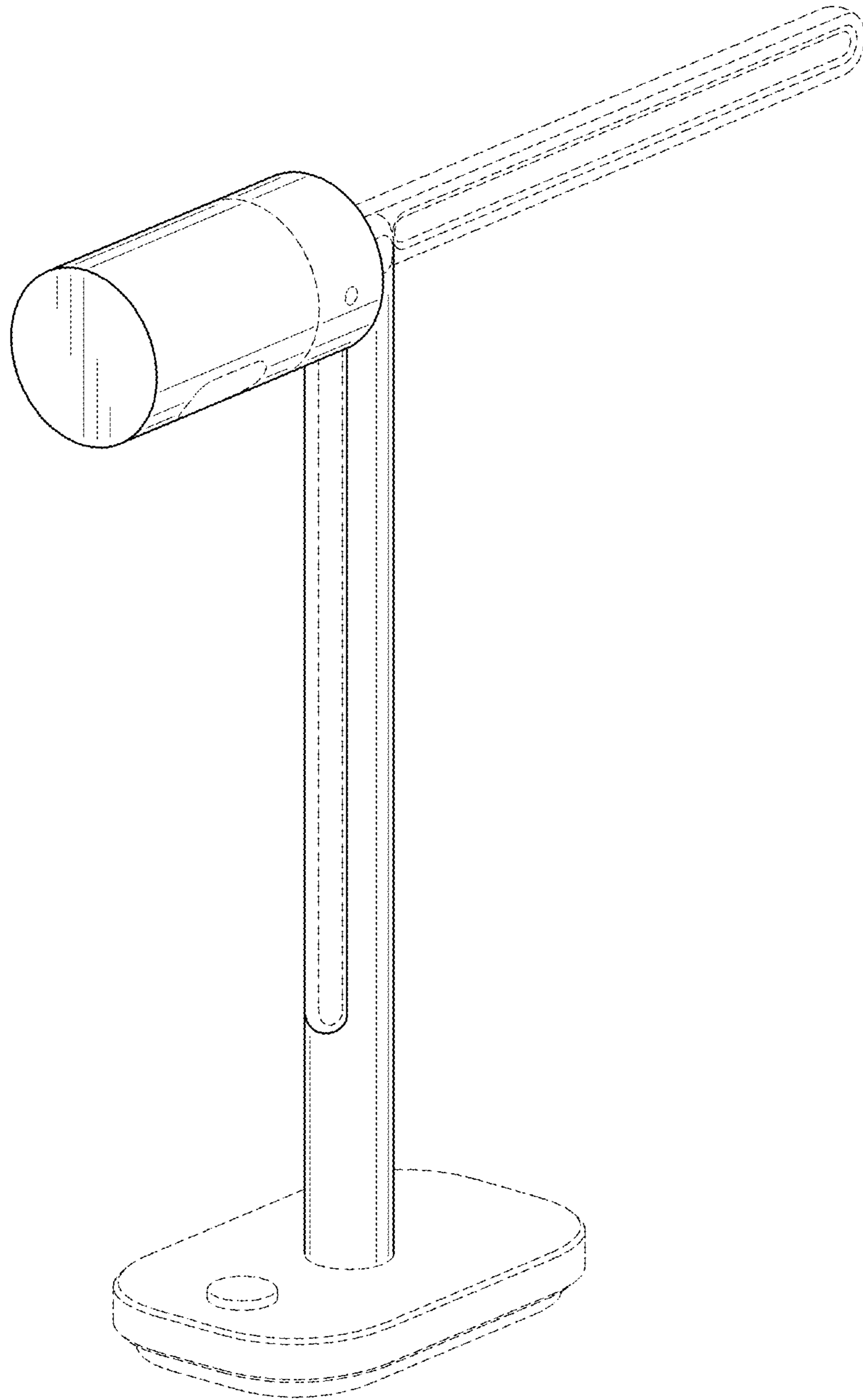


FIG. 8

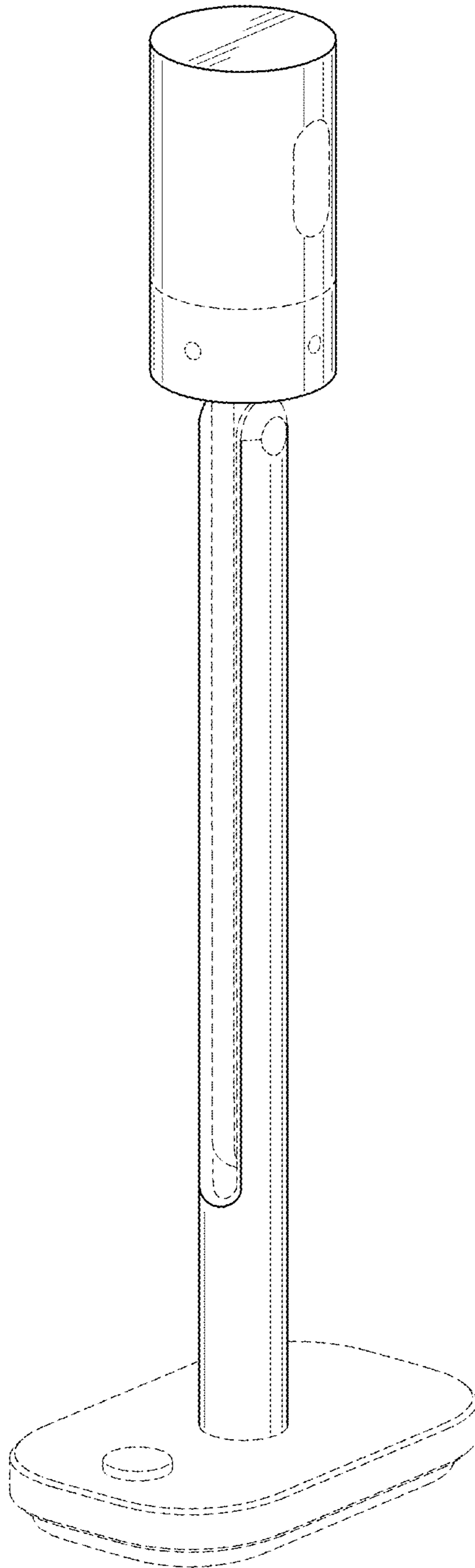


FIG. 9

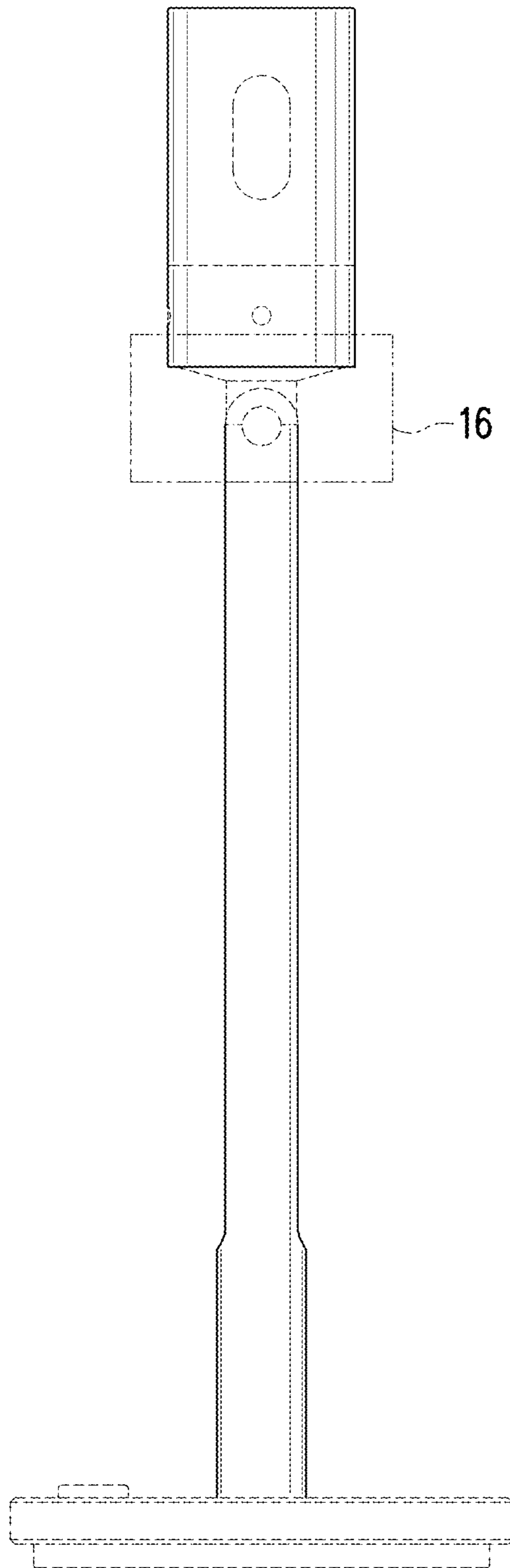


FIG. 10

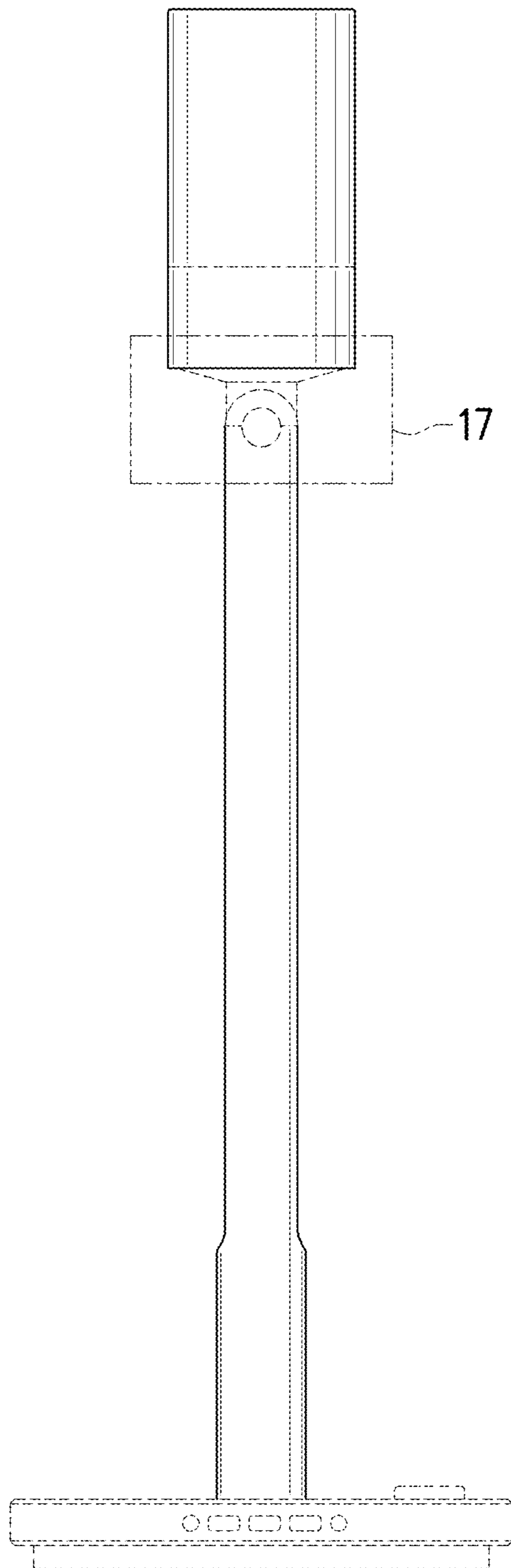


FIG. 11

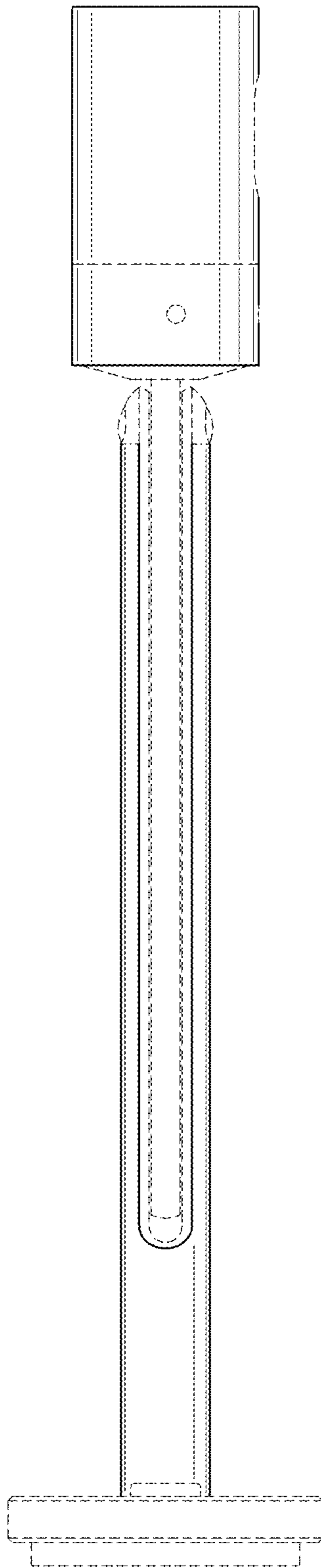


FIG. 12

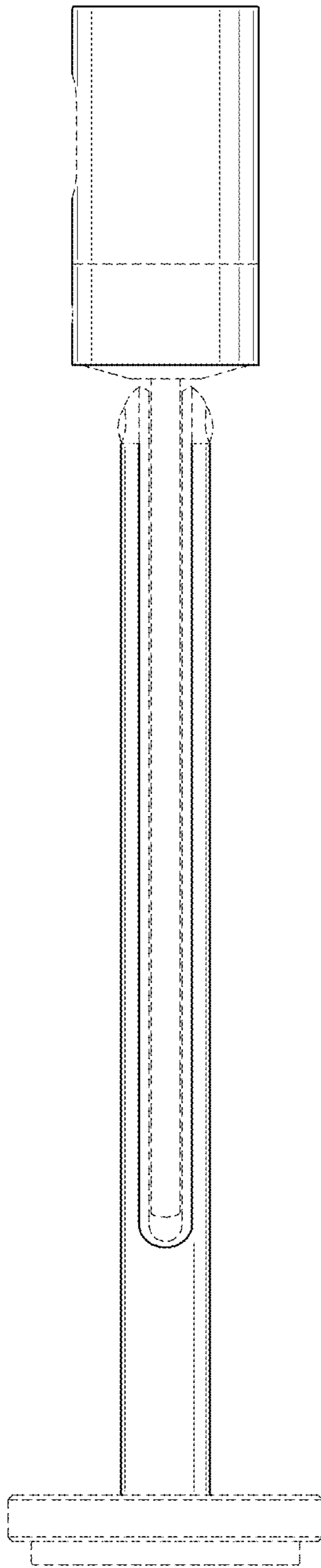


FIG. 13

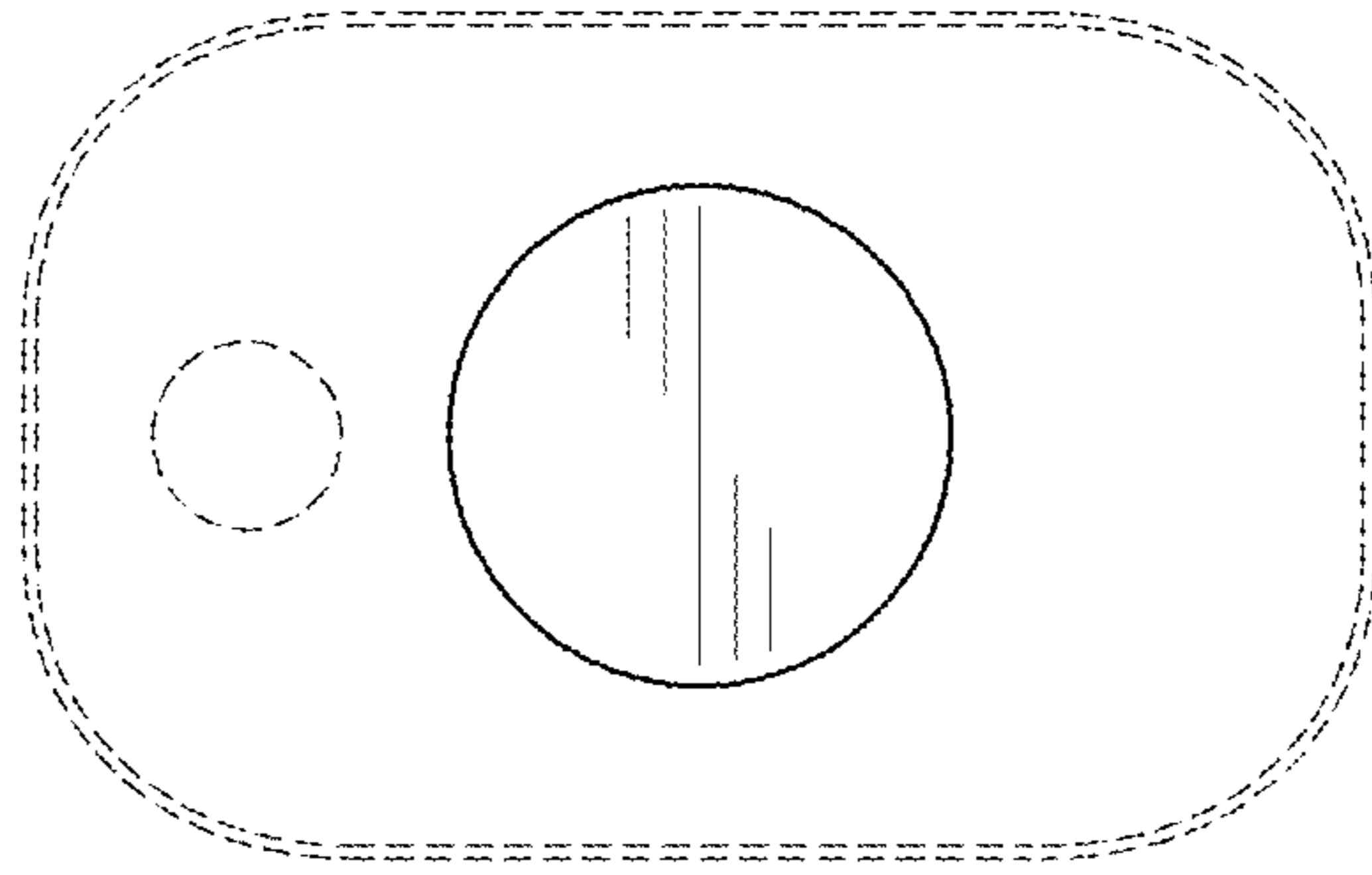


FIG. 14

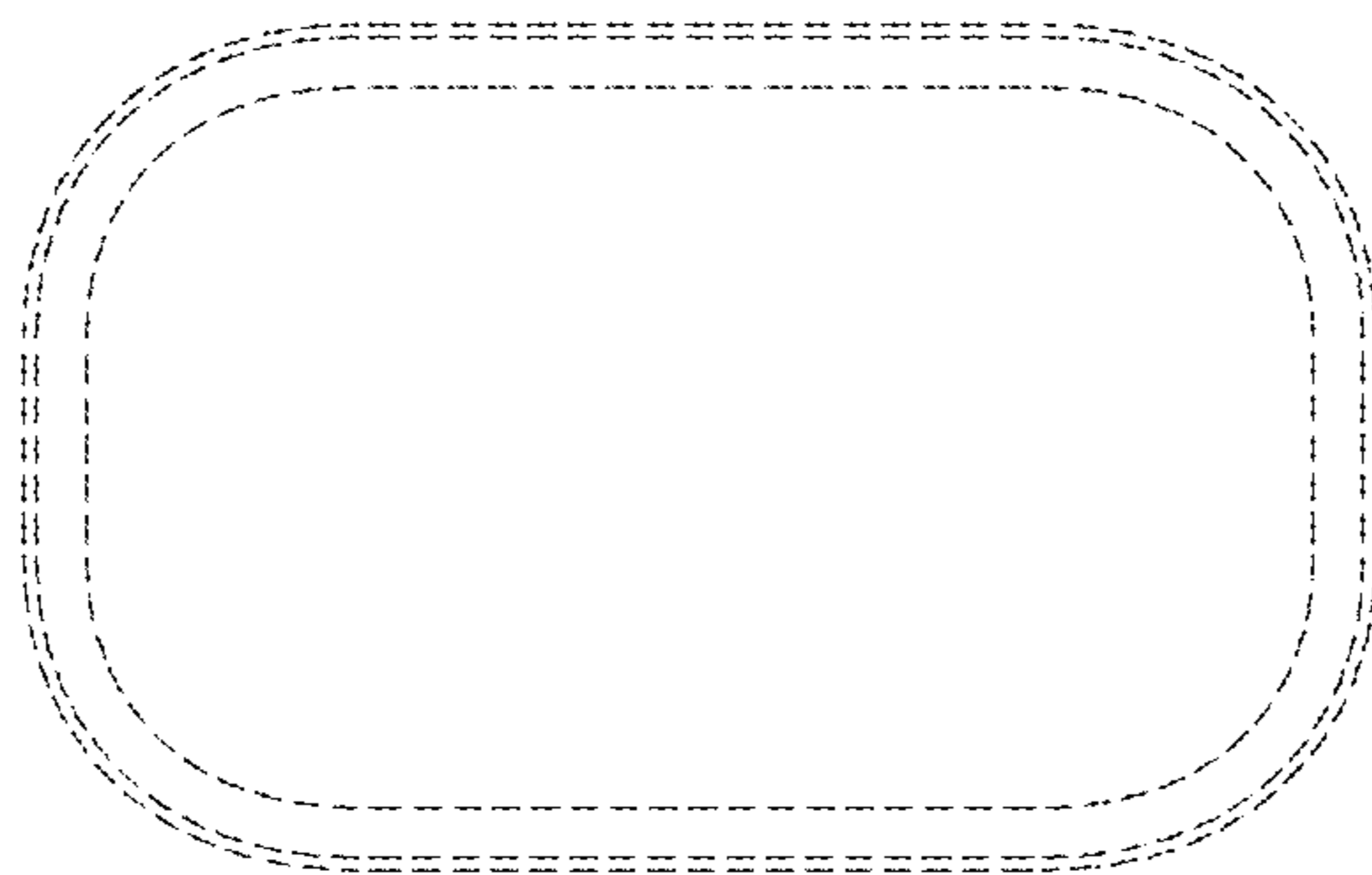


FIG. 15

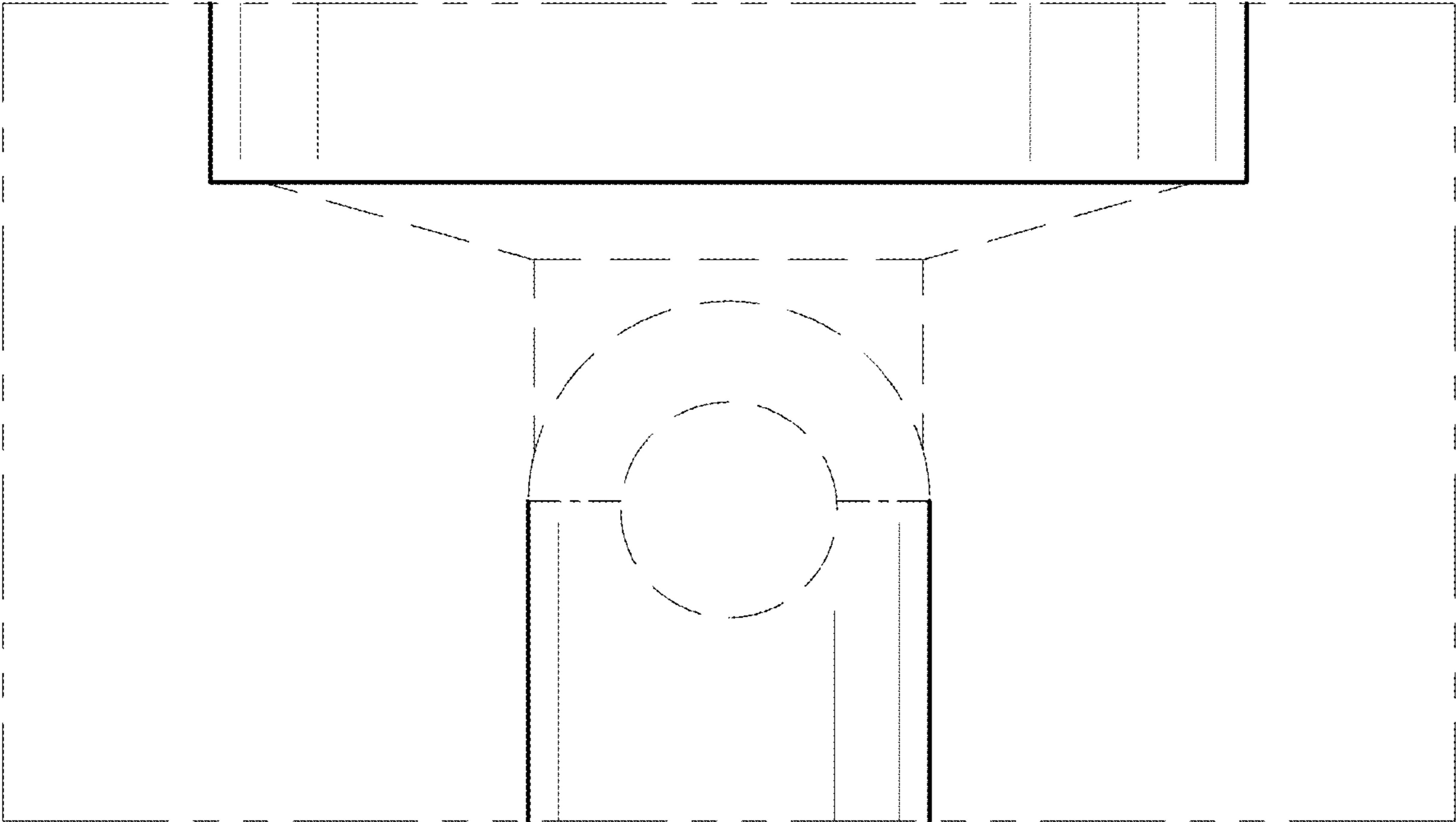


FIG. 16

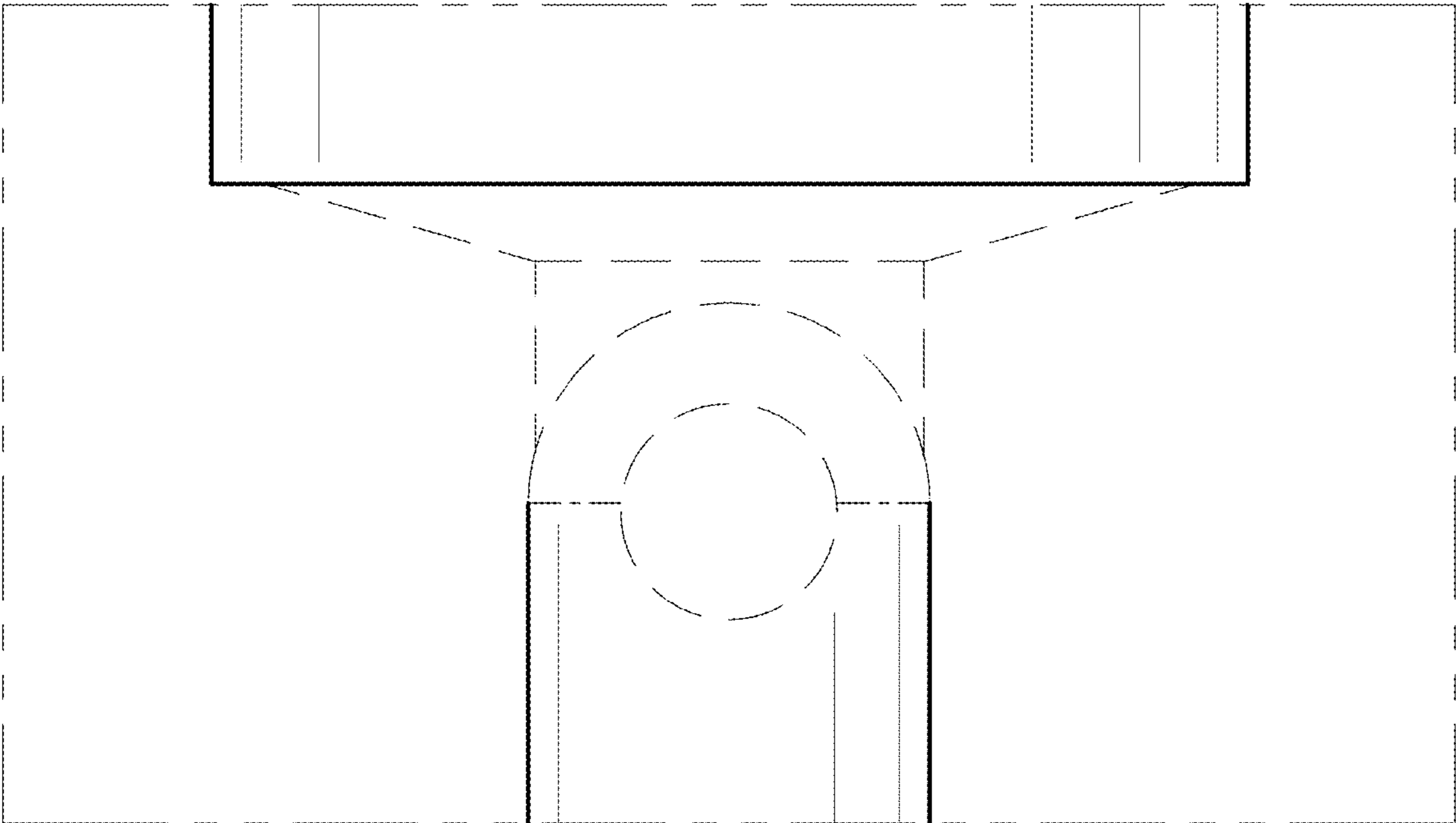


FIG. 17