



US00D906397S

(12) **United States Design Patent**
Sjögren et al.

(10) **Patent No.:** **US D906,397 S**

(45) **Date of Patent:** **** Dec. 29, 2020**

(54) **CAMERA**

(71) Applicant: **Axis AB**, Lund (SE)

(72) Inventors: **Jonas Sjögren**, Lund (SE); **Sebastian Engwall**, Lund (SE); **Mathias Walter**, Lund (SE); **Mariano Vozzi**, Lund (SE); **Daisuke Sasaki**, Tokyo (JP); **Hiroyuki Ide**, Tokyo (JP); **Akira Tagaya**, Tokyo (JP)

(73) Assignee: **AXIS AB**, Lund (SE)

(**) Term: **15 Years**

(21) Appl. No.: **29/709,001**

(22) Filed: **Oct. 10, 2019**

(30) **Foreign Application Priority Data**

May 15, 2019 (EM) 006461752-0001
May 15, 2019 (EM) 006461752-0003

(51) **LOC (12) Cl.** **16-01**

(52) **U.S. Cl.**
USPC **D16/203**

(58) **Field of Classification Search**
USPC D16/200, 202–208, 218, 219, 242;
348/143, 148, 151, 373–376; 396/419,
396/427, 535, 539–541; 248/176.1, 187.1
CPC G03B 17/02; G03B 19/04; G03B 17/56;
G03B 17/04; G03B 15/03; H04N 5/2251;
H04N 5/2252; H04N 5/2253; H04N
5/2254; H04N 7/181; H04N 7/183; H04N
7/18

See application file for complete search history.

(56) **References Cited**

U.S. PATENT DOCUMENTS

D629,436 S * 12/2010 Cheng D16/203
D643,455 S * 8/2011 Raa D16/203
D676,887 S * 2/2013 Nakashima D16/203

D689,536 S * 9/2013 Li D16/218
D829,801 S * 10/2018 Park D16/203
D841,716 S * 2/2019 Teachworth D16/203

(Continued)

FOREIGN PATENT DOCUMENTS

EM 000600770 10/2006
JP D1145410 S 7/2002

(Continued)

OTHER PUBLICATIONS

Taiwan Search Report from corresponding Taiwanese Application No. 108306630, dated May 1, 2020.

Primary Examiner — Ramzi S Almatrahi

(74) *Attorney, Agent, or Firm* — Tucker Ellis LLP

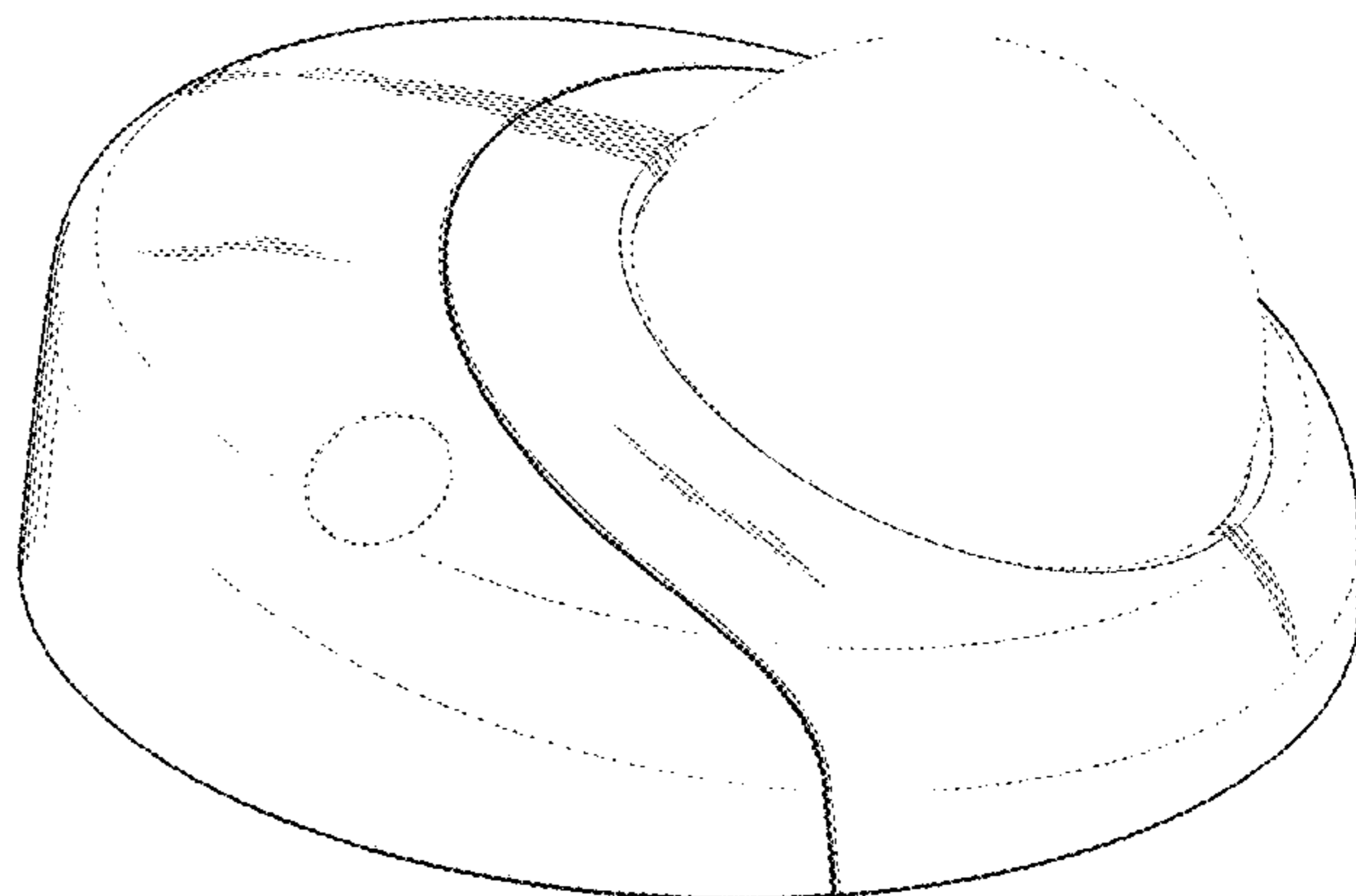
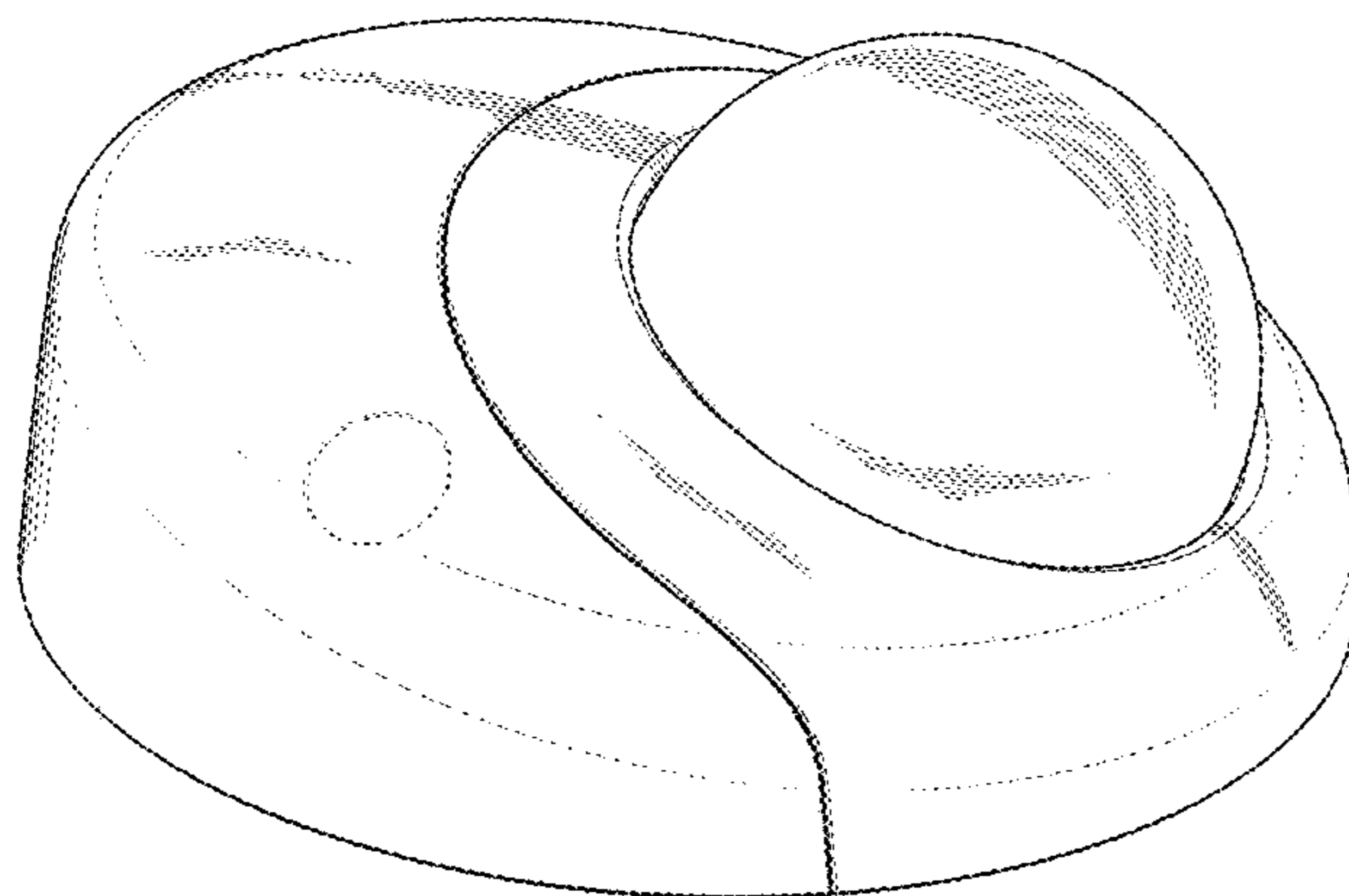
(57) **CLAIM**

The ornamental design for a camera, as shown and described.

DESCRIPTION

FIG. 1 is a top, front and right side perspective view of a first embodiment of a camera showing our new design;
FIG. 2 is a front view thereof;
FIG. 3 is a rear view thereof;
FIG. 4 is a left side view thereof;
FIG. 5 is a right side view thereof;
FIG. 6 is a top view thereof;
FIG. 7 is a bottom view thereof;
FIG. 8 is a top, front and right side perspective view of a second embodiment of a camera showing our new design;
FIG. 9 is a front view thereof;
FIG. 10 is a rear view thereof;
FIG. 11 is a left side view thereof;
FIG. 12 is a right side view thereof;
FIG. 13 is a top view thereof; and,
FIG. 14 is a bottom view thereof.
The broken lines illustrate portions of the camera that form no part of the claimed design.

1 Claim, 10 Drawing Sheets



(56)

References Cited

U.S. PATENT DOCUMENTS

| | | | | |
|------------|---|---------|--------------|---------|
| D863,400 S | * | 10/2019 | Li | D16/203 |
| D866,641 S | * | 11/2019 | Walter | D16/203 |
| D870,181 S | * | 12/2019 | Geng | D16/203 |
| D874,535 S | * | 2/2020 | Park | D16/203 |
| D880,556 S | * | 4/2020 | Tang | D16/203 |
| D882,663 S | * | 4/2020 | Walter | D16/203 |

FOREIGN PATENT DOCUMENTS

| | | |
|----|-----------|--------|
| TW | M485430 U | 9/2014 |
| TW | D195631 S | 1/2019 |

* cited by examiner

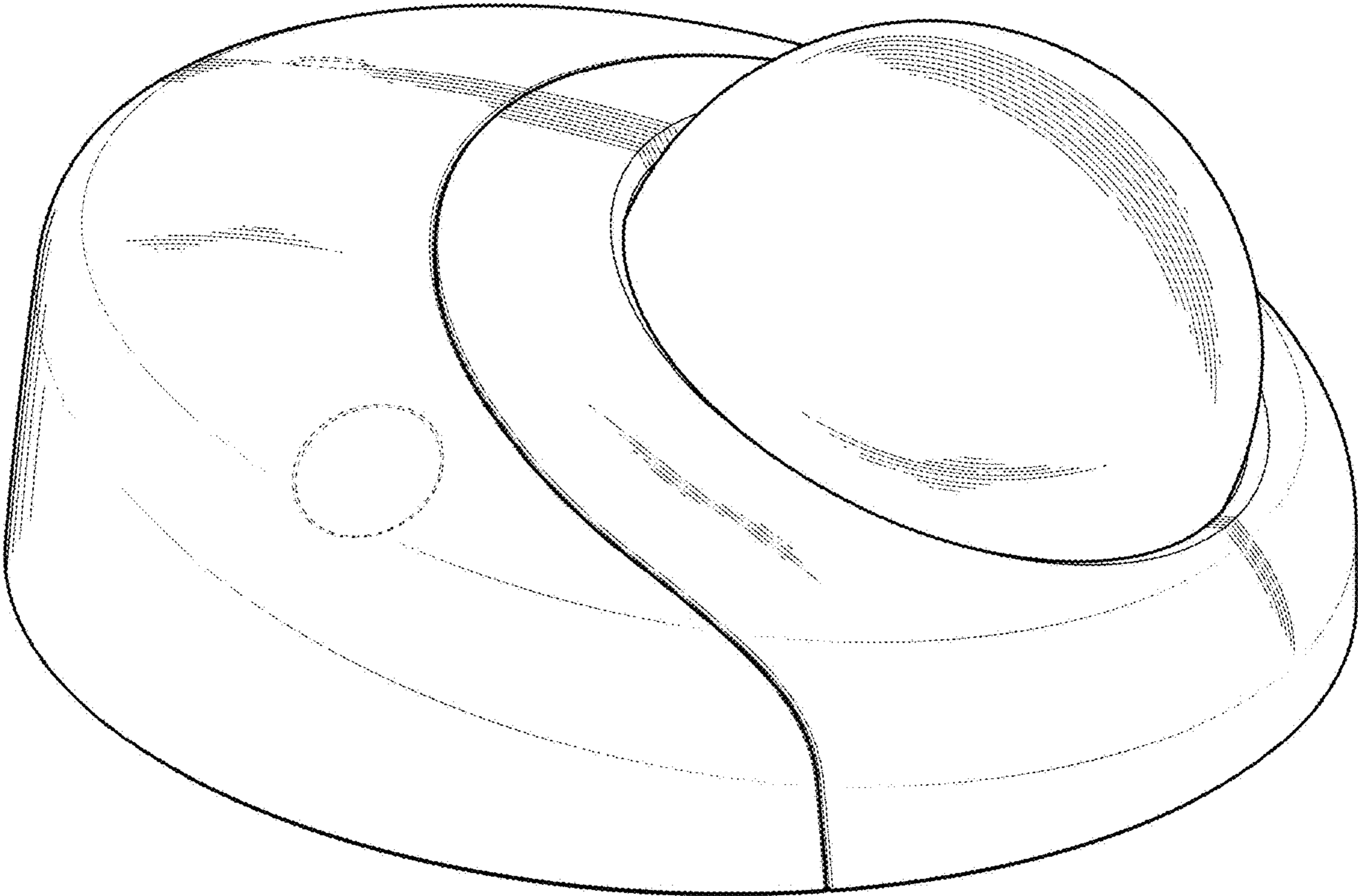


FIG. 1

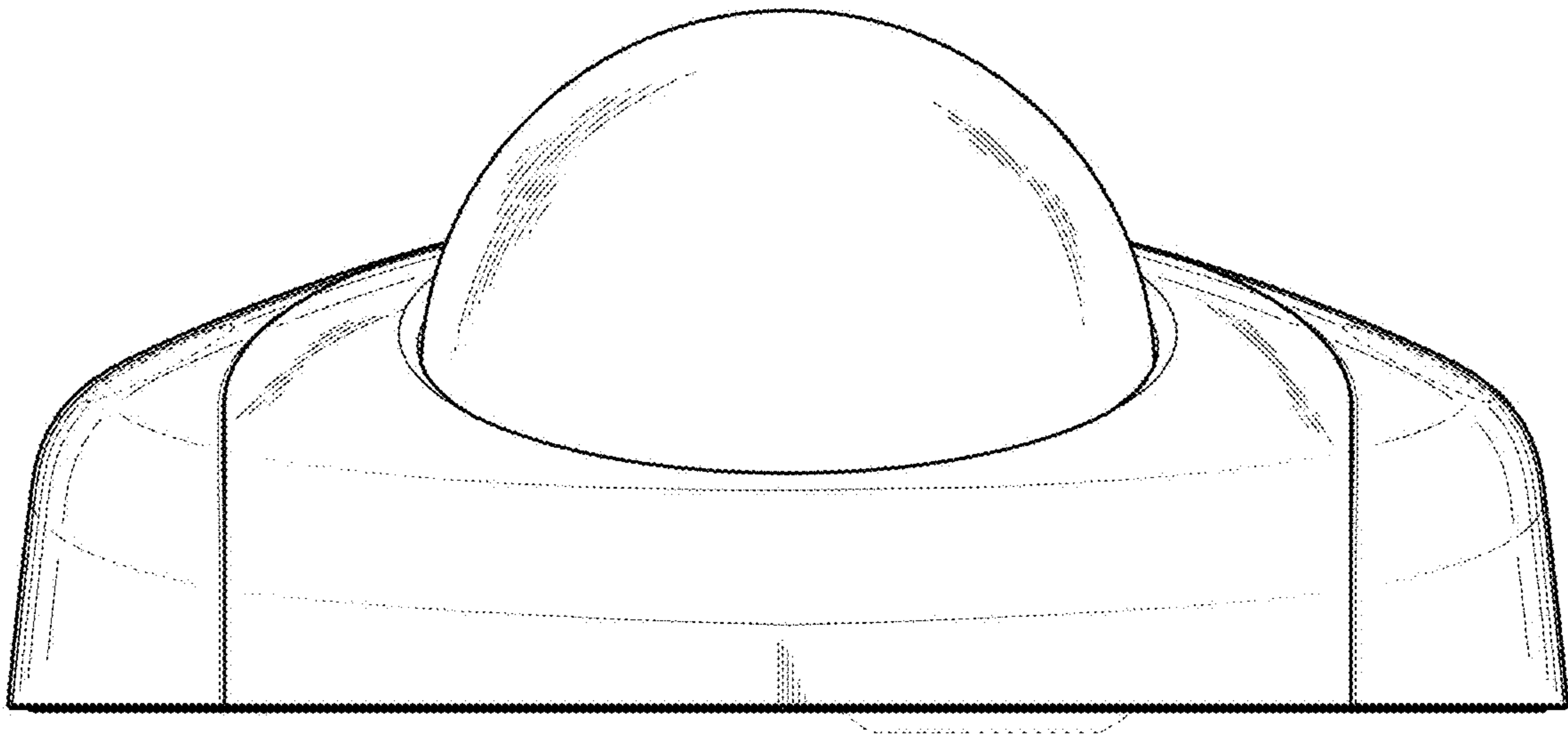


FIG. 2

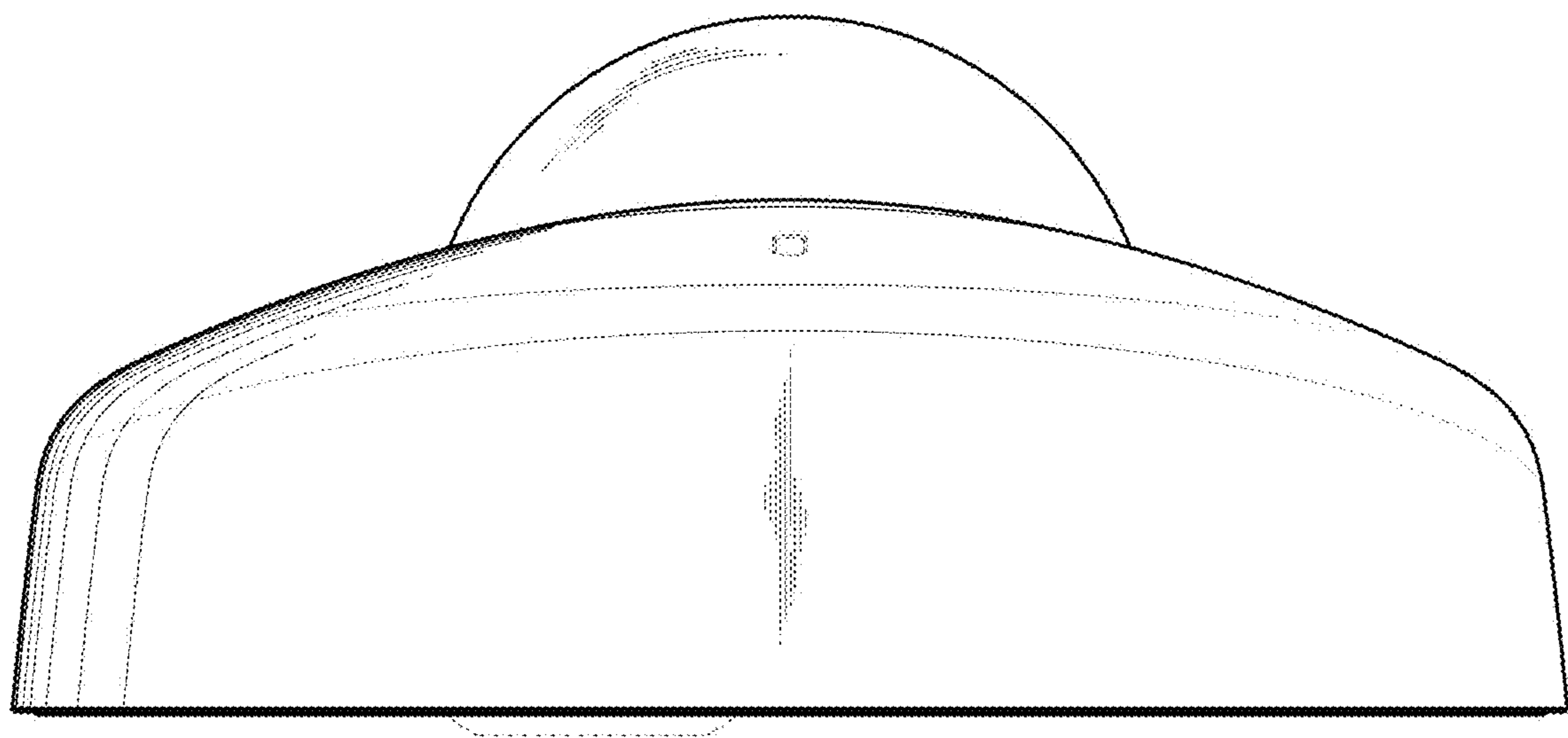


FIG. 3

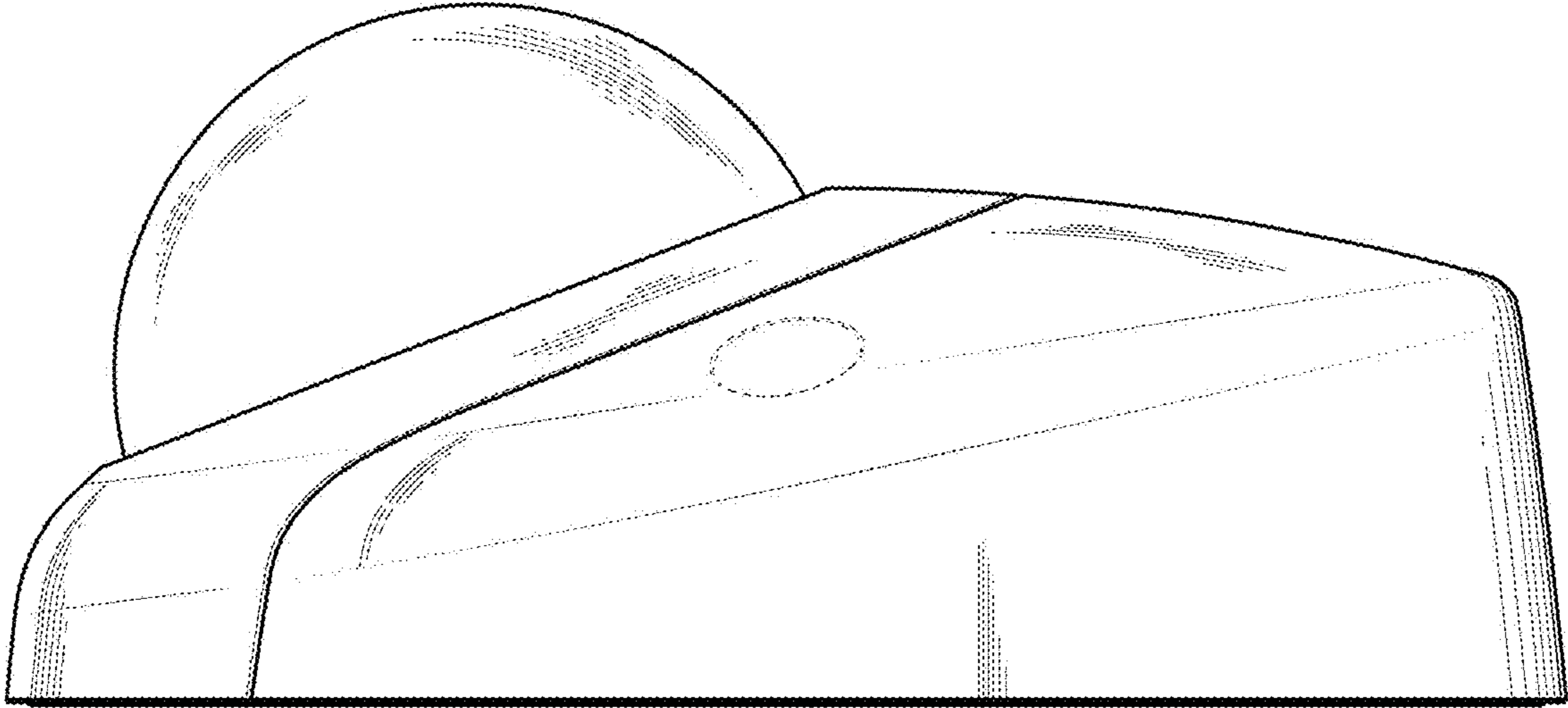


FIG. 4

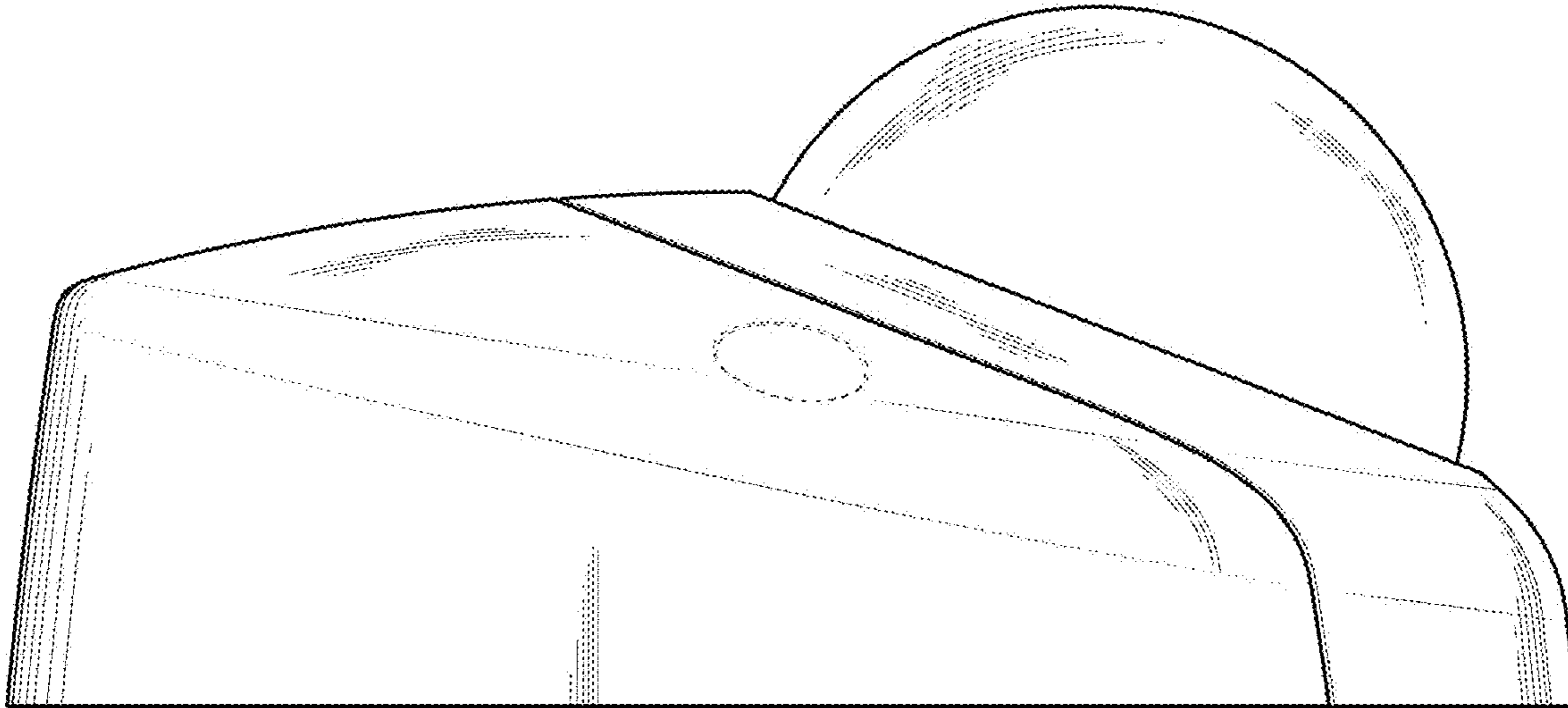


FIG. 5

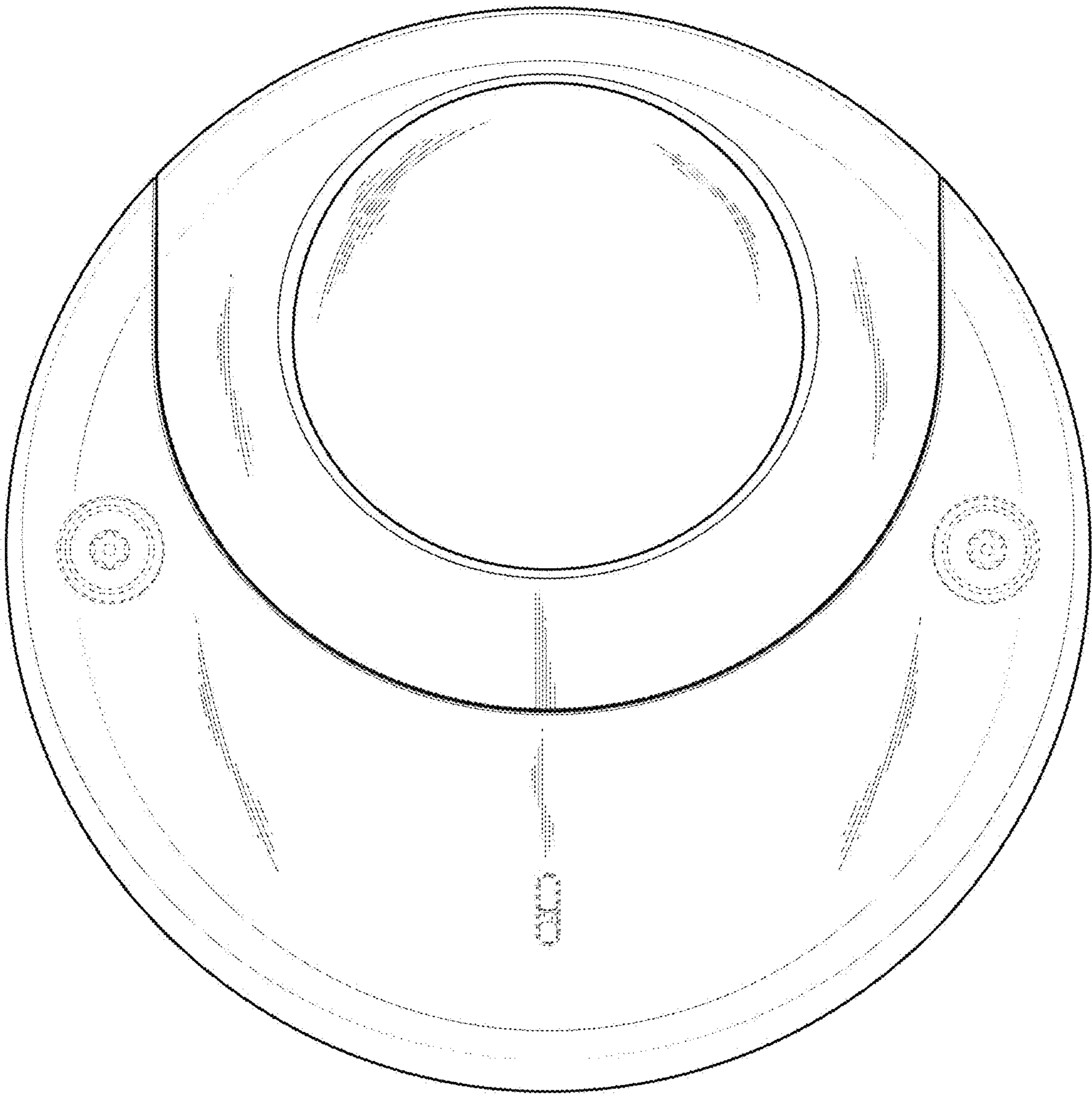


FIG. 6

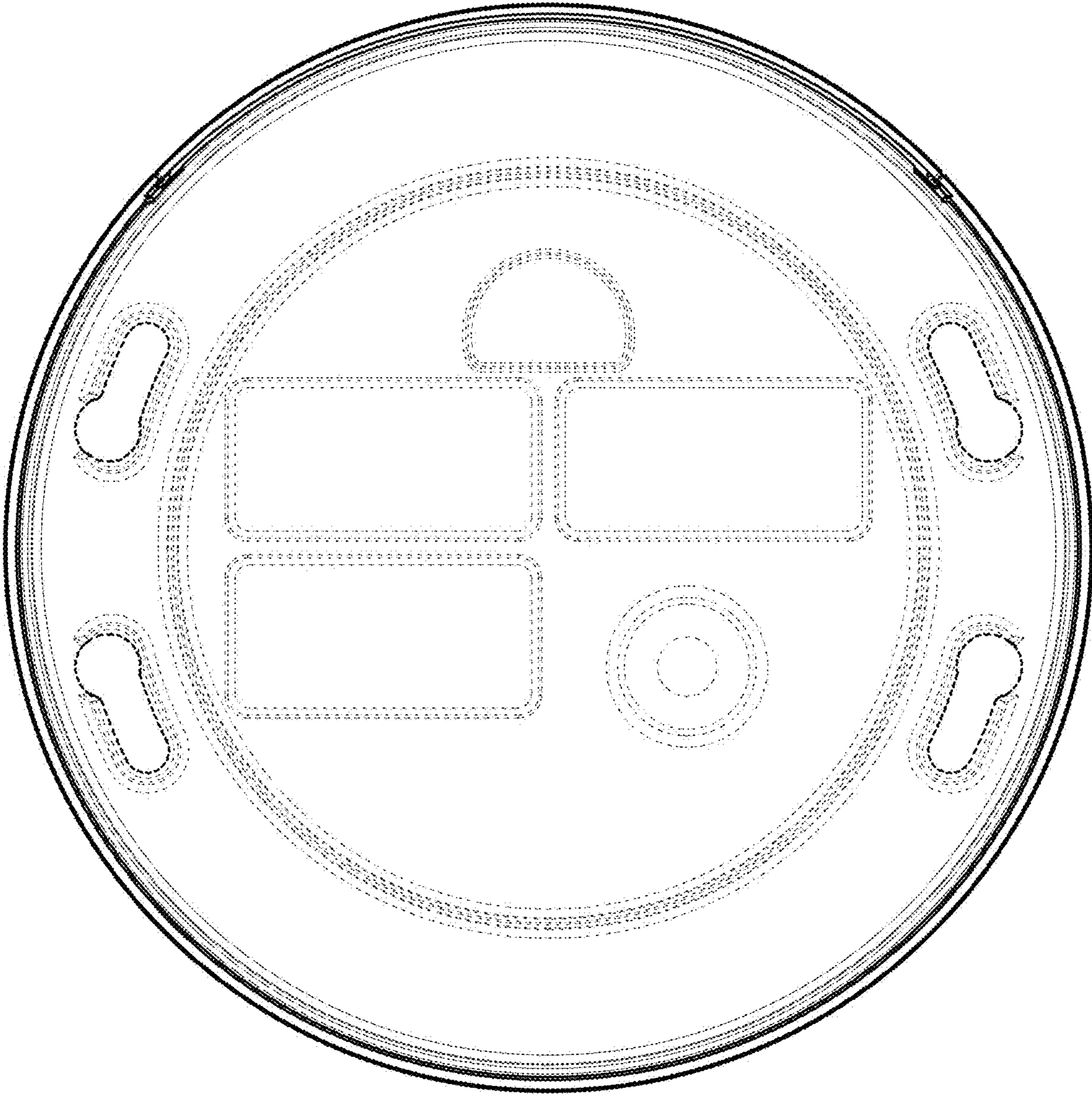


FIG. 7

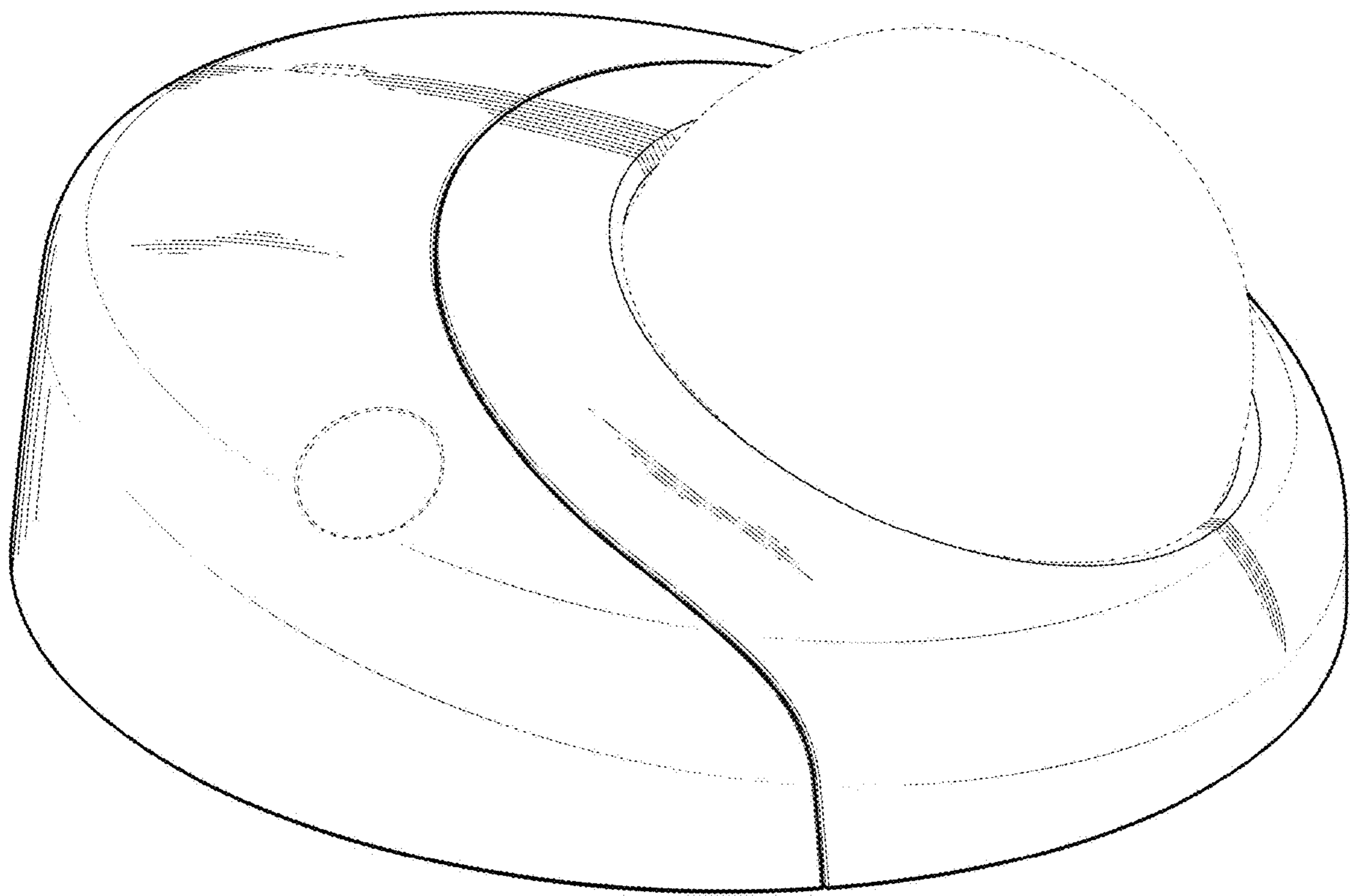


FIG. 8

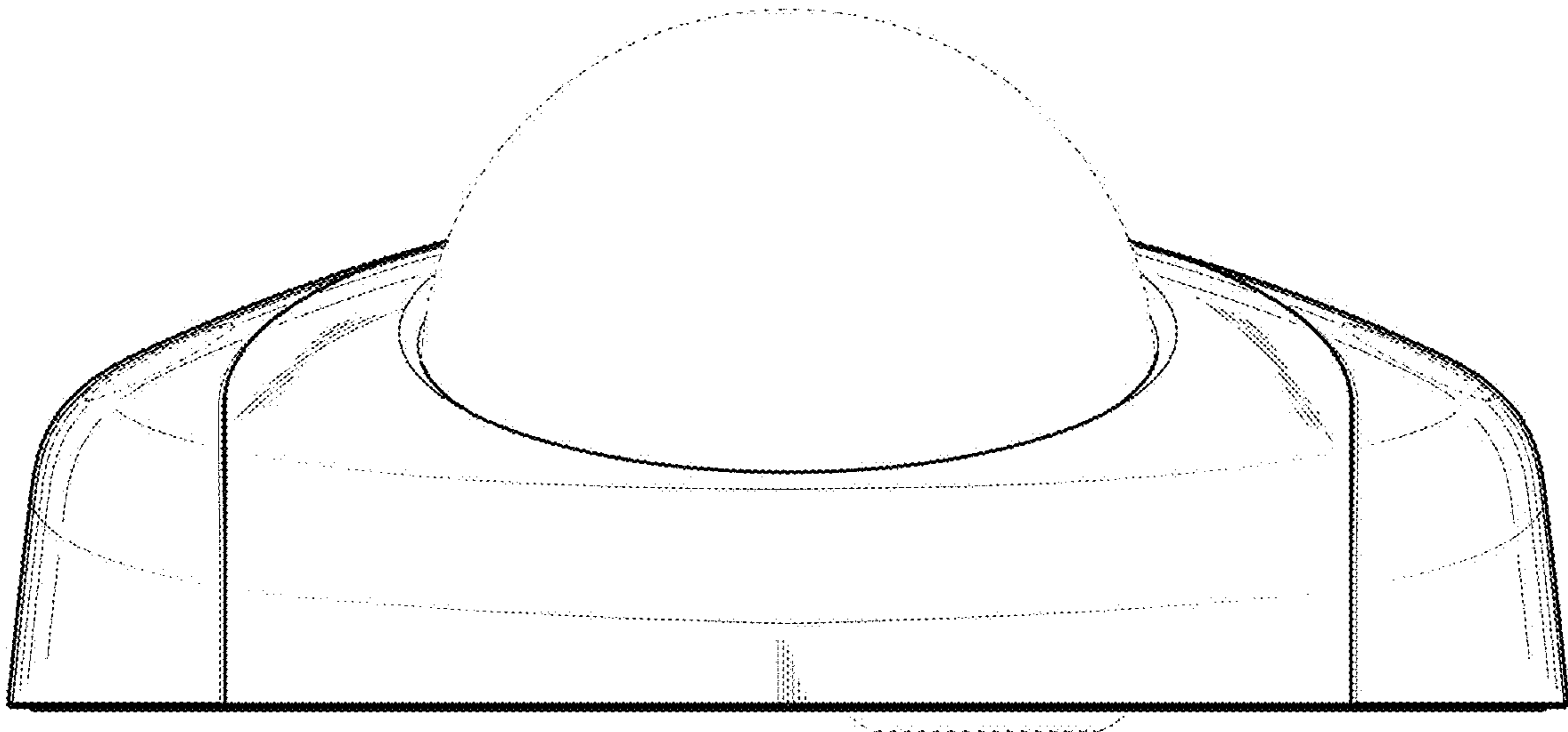


FIG. 9

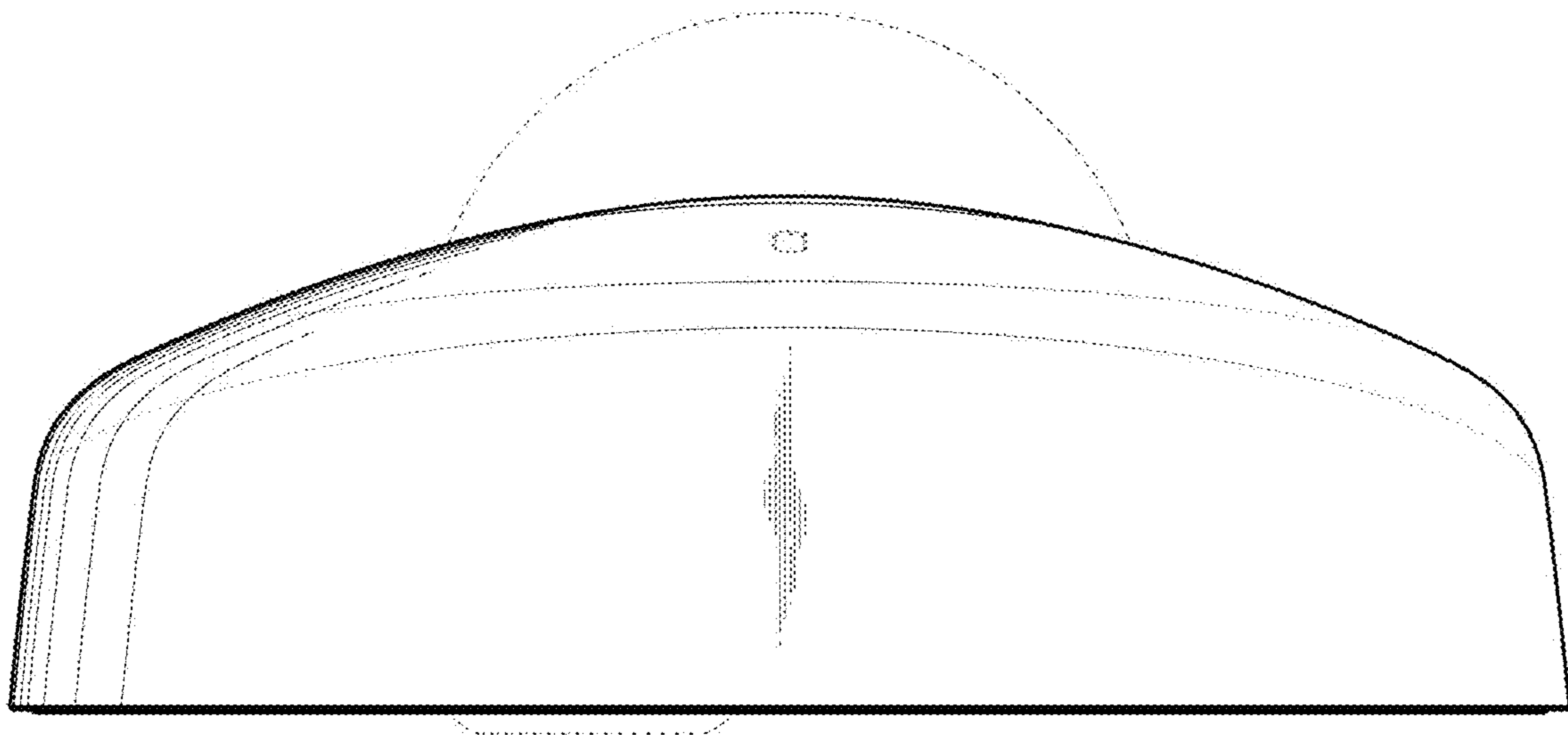


FIG. 10

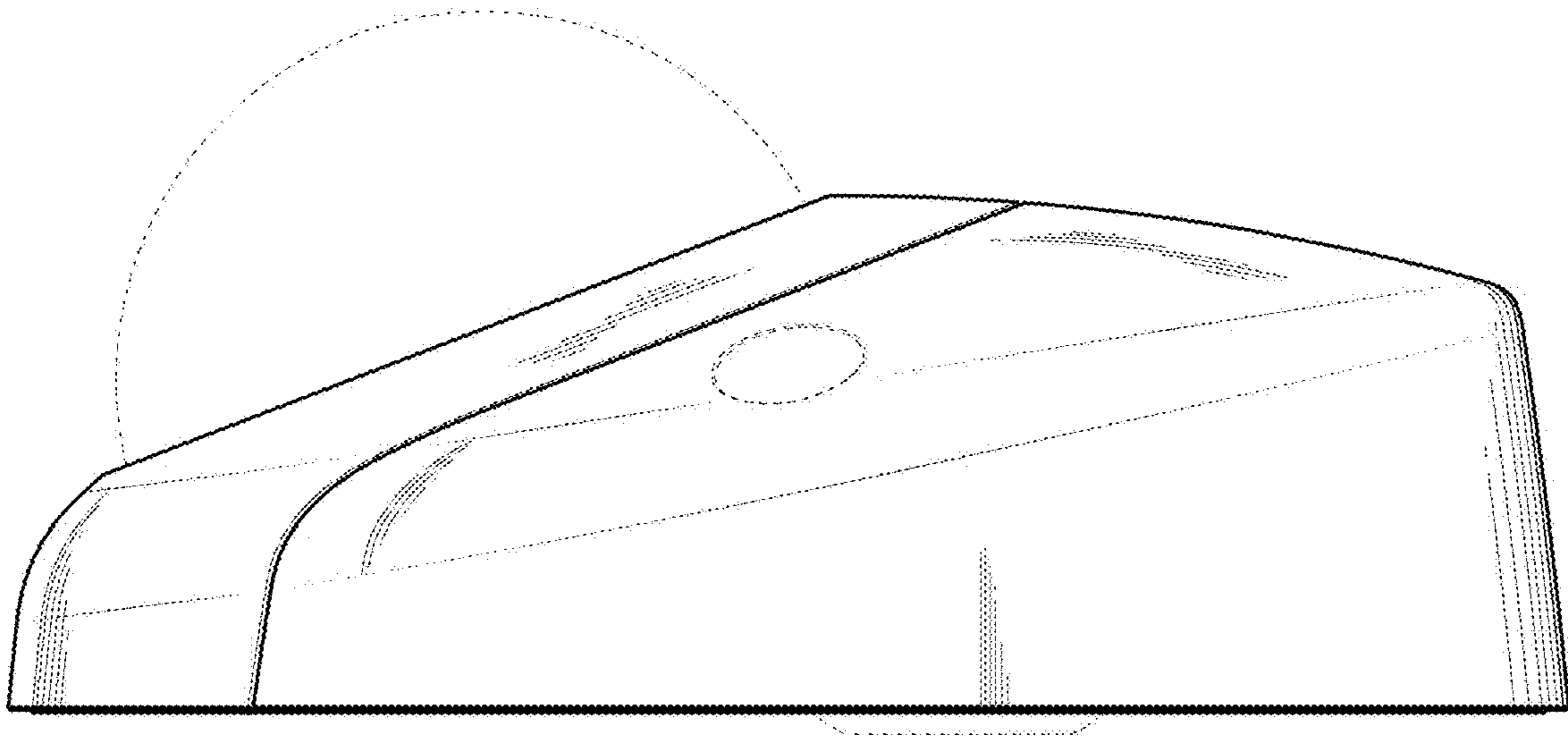


FIG. 11

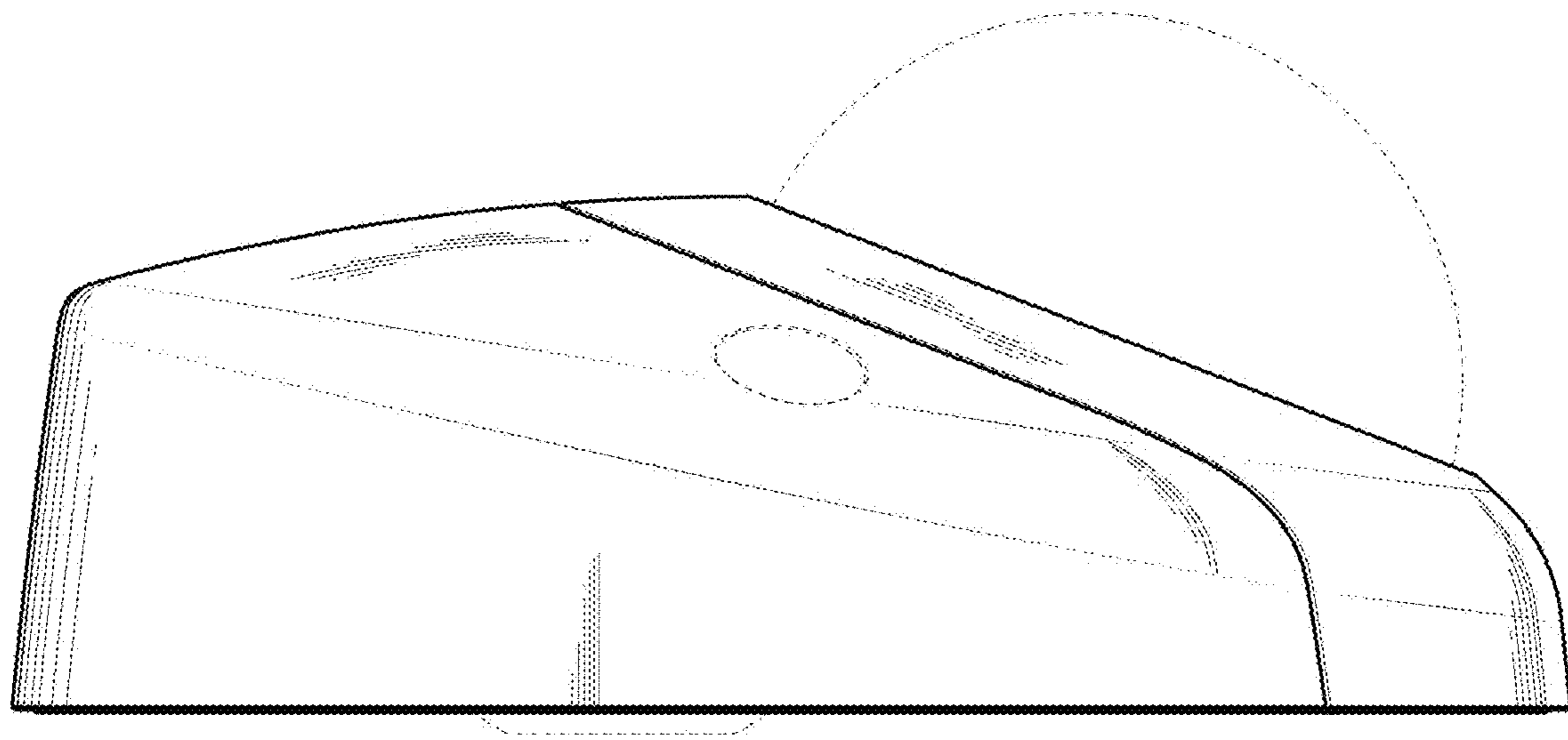


FIG. 12

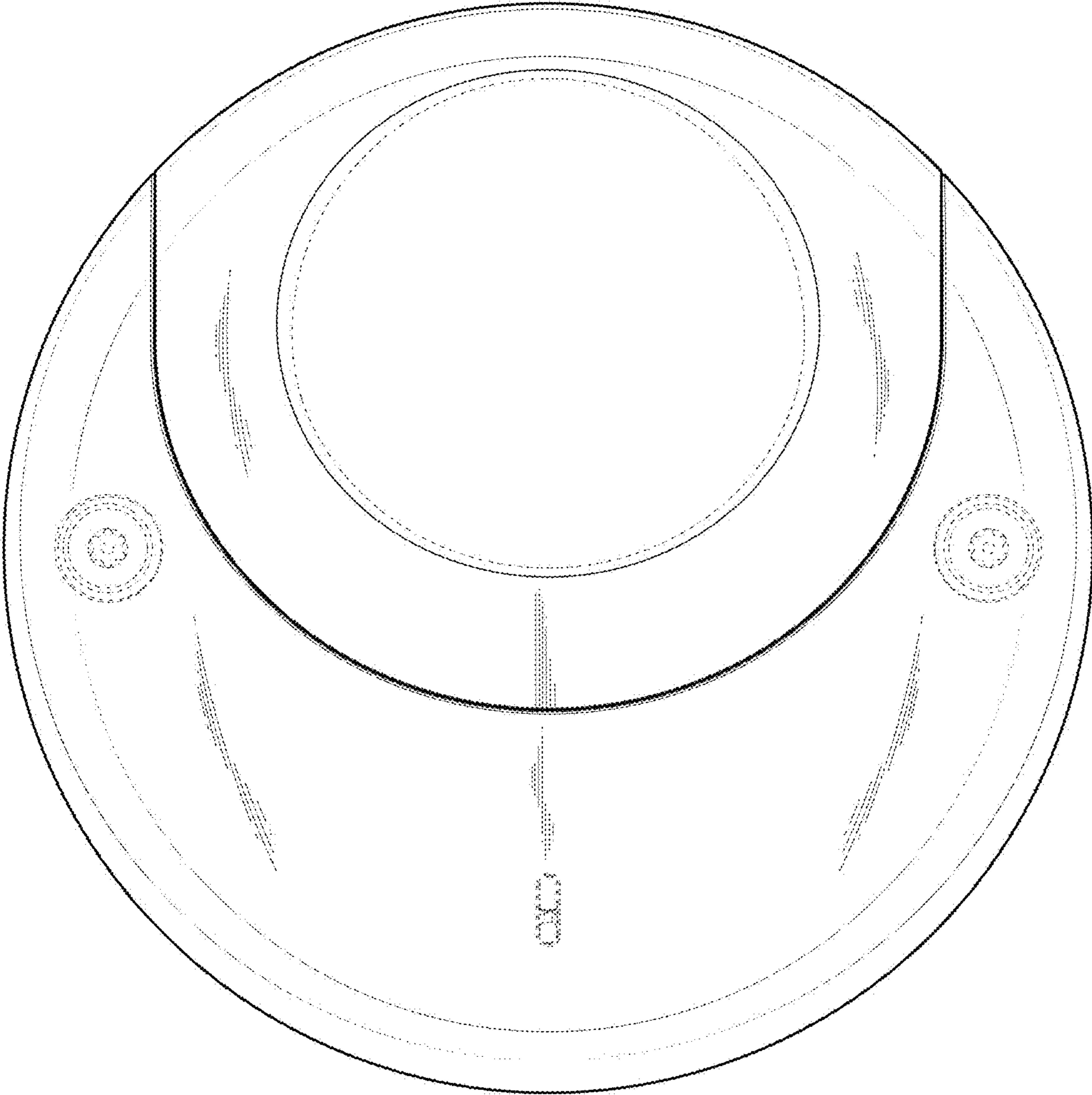


FIG. 13

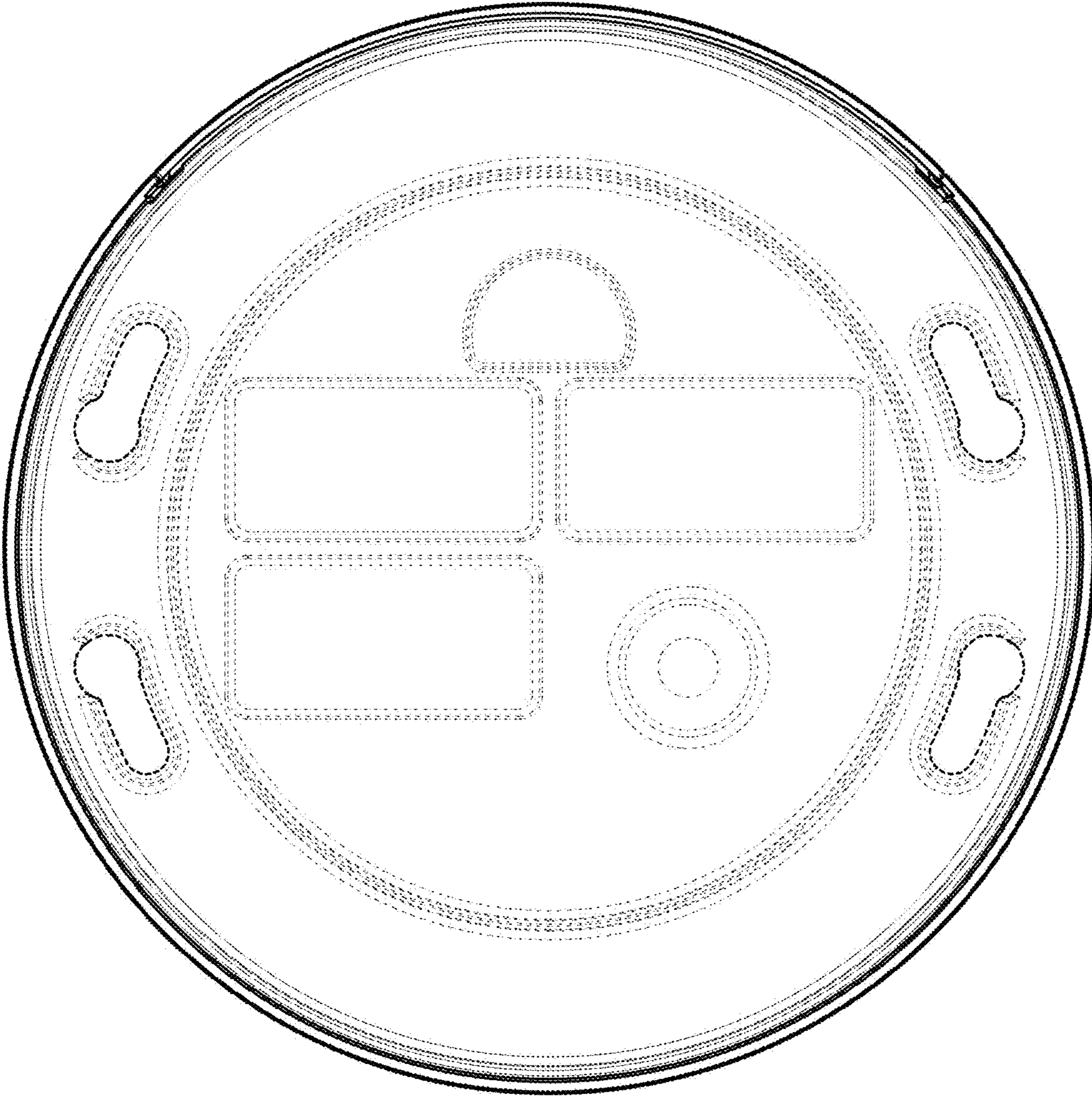


FIG. 14