



US00D906395S

(12) **United States Design Patent**
Fischbach

(10) **Patent No.:** **US D906,395 S**

(45) **Date of Patent:** **** Dec. 29, 2020**

(54) **FIELD GLASSES**

(71) Applicant: **STEINER-OPTIK GmbH**, Bayreuth (DE)

(72) Inventor: **Manfred Fischbach**, Stammbach (DE)

(73) Assignee: **STEINER-OPTIK GMBH**, Bayreuth (DE)

(**) Term: **15 Years**

(21) Appl. No.: **29/663,961**

(22) Filed: **Sep. 20, 2018**

(30) **Foreign Application Priority Data**

Mar. 21, 2018	(EM)	004904506-0001
Mar. 21, 2018	(EM)	004904506-0002
Mar. 21, 2018	(EM)	004904506-0003
Mar. 21, 2018	(EM)	004904506-0004
Mar. 21, 2018	(EM)	004904506-0005
Mar. 21, 2018	(EM)	004904506-0006
Mar. 21, 2018	(EM)	004904506-0007
Mar. 21, 2018	(EM)	004904506-0008
Mar. 21, 2018	(EM)	004904506-0009
Mar. 21, 2018	(EM)	004904506-0010
Mar. 21, 2018	(EM)	004904506-0011

(51) **LOC (12) Cl.** **16-06**

(52) **U.S. Cl.**
USPC **D16/133**

(58) **Field of Classification Search**
USPC D16/133, 130, 131, 132, 134-136;
D22/100, 108, 109, 110, 199
CPC G02B 23/16; G02B 23/12; G02B 23/18;
G02B 27/0176
See application file for complete search history.

(56) **References Cited**

U.S. PATENT DOCUMENTS

D98,790 S *	3/1936	Wollensk	D16/133
5,000,556 A *	3/1991	Katsuma	G02B 15/02 359/407

D473,884 S *	4/2003	Hayamizu	D16/133
D474,789 S *	5/2003	Matsushita	D16/133
D478,340 S *	8/2003	Hayamizu	D16/133
D592,690 S *	5/2009	Steiner	D16/133
D597,113 S *	7/2009	Steiner	D16/133
D623,676 S *	9/2010	Yanagisawa	D16/133
D662,119 S *	6/2012	Hoshi	D16/133
D666,232 S *	8/2012	Fischbach	D16/133
D821,474 S *	6/2018	Arshad	D16/133
D831,722 S *	10/2018	Arshad	D16/133
D847,247 S *	4/2019	Fischbach	D16/133
2016/0054125 A1 *	2/2016	Hofmann	G02B 7/02 359/809

* cited by examiner

Primary Examiner — Mark A Goodwin

Assistant Examiner — Benjamin M Weeks

(74) *Attorney, Agent, or Firm* — Rimôn, P.C.

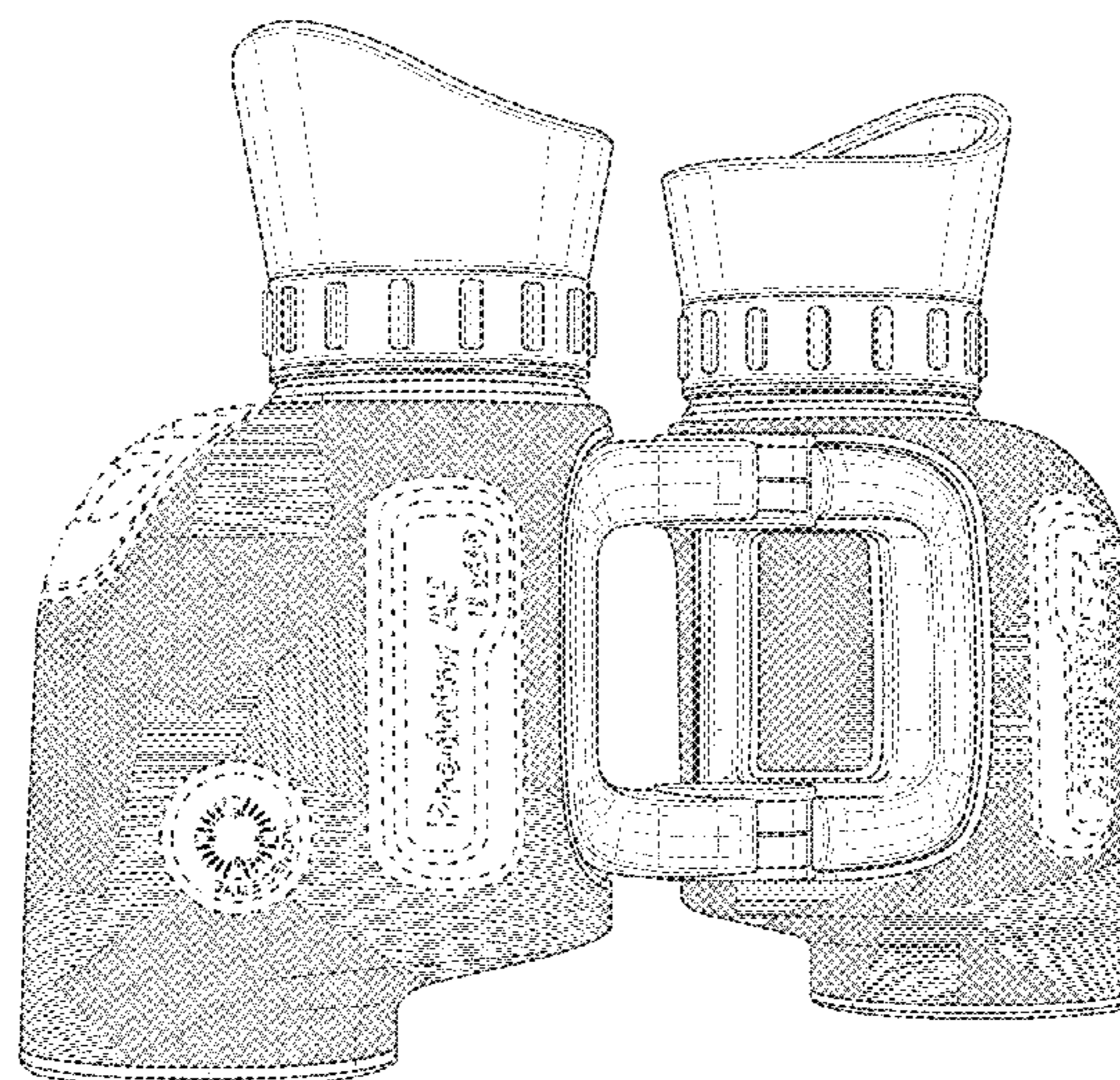
(57) **CLAIM**

I claim the ornamental design for field glasses, as shown and described.

DESCRIPTION

FIG. 1 is a top perspective view of the field glasses;
FIG. 2 is a bottom perspective view of the field glasses shown in FIG. 1;
FIG. 3 is a top plan view of the field glasses;
FIG. 4 is another top perspective view of the field glasses;
FIG. 5 is another top perspective view of the field glasses; and,
FIG. 6 is another top perspective view of the field glasses. The broken lines shown represent unclaimed subject matter and form no part of the claimed design. The shade lines shown represent surface shading and not surface ornamentation, color, or material type.

1 Claim, 6 Drawing Sheets



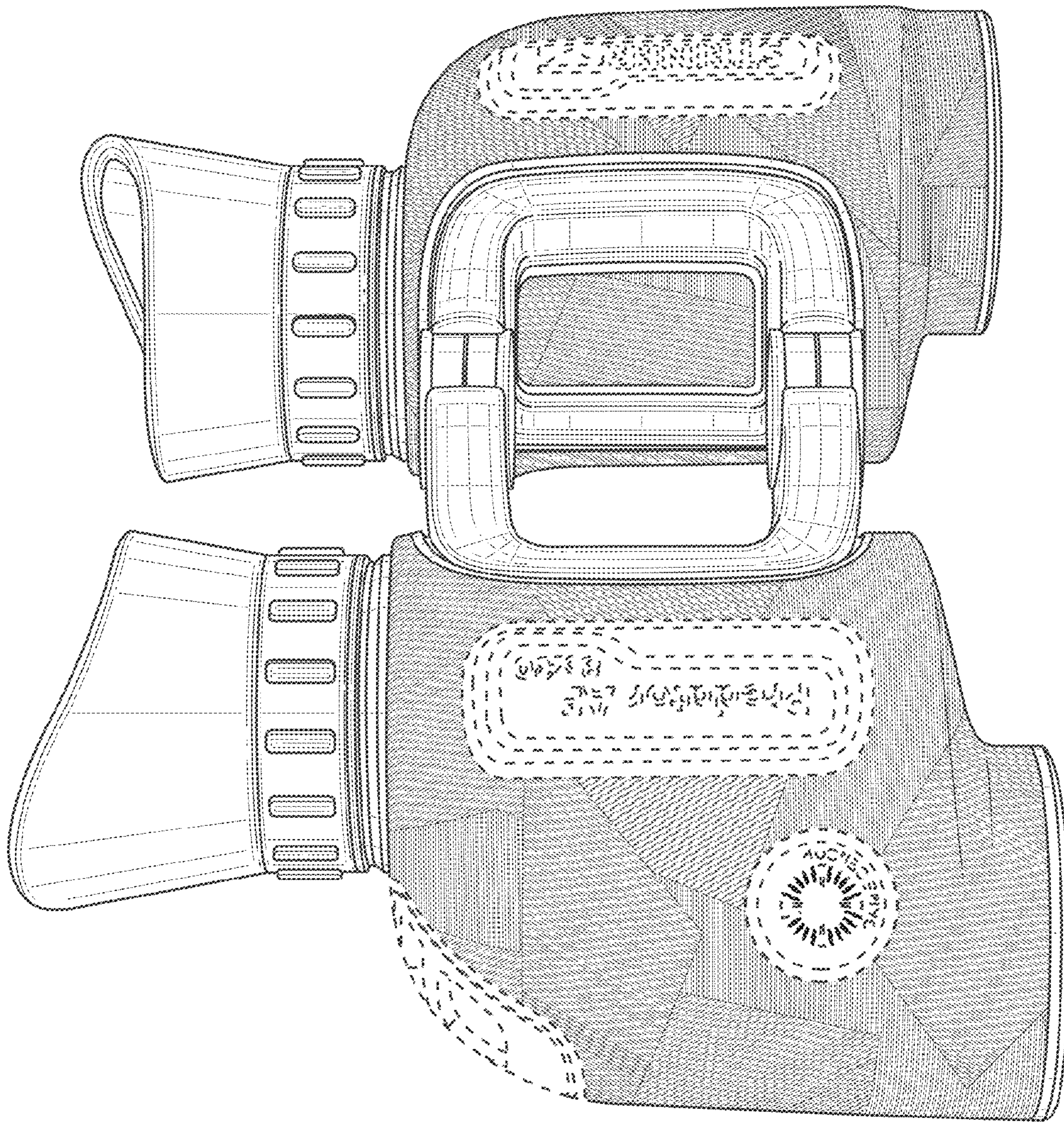


FIG. 1

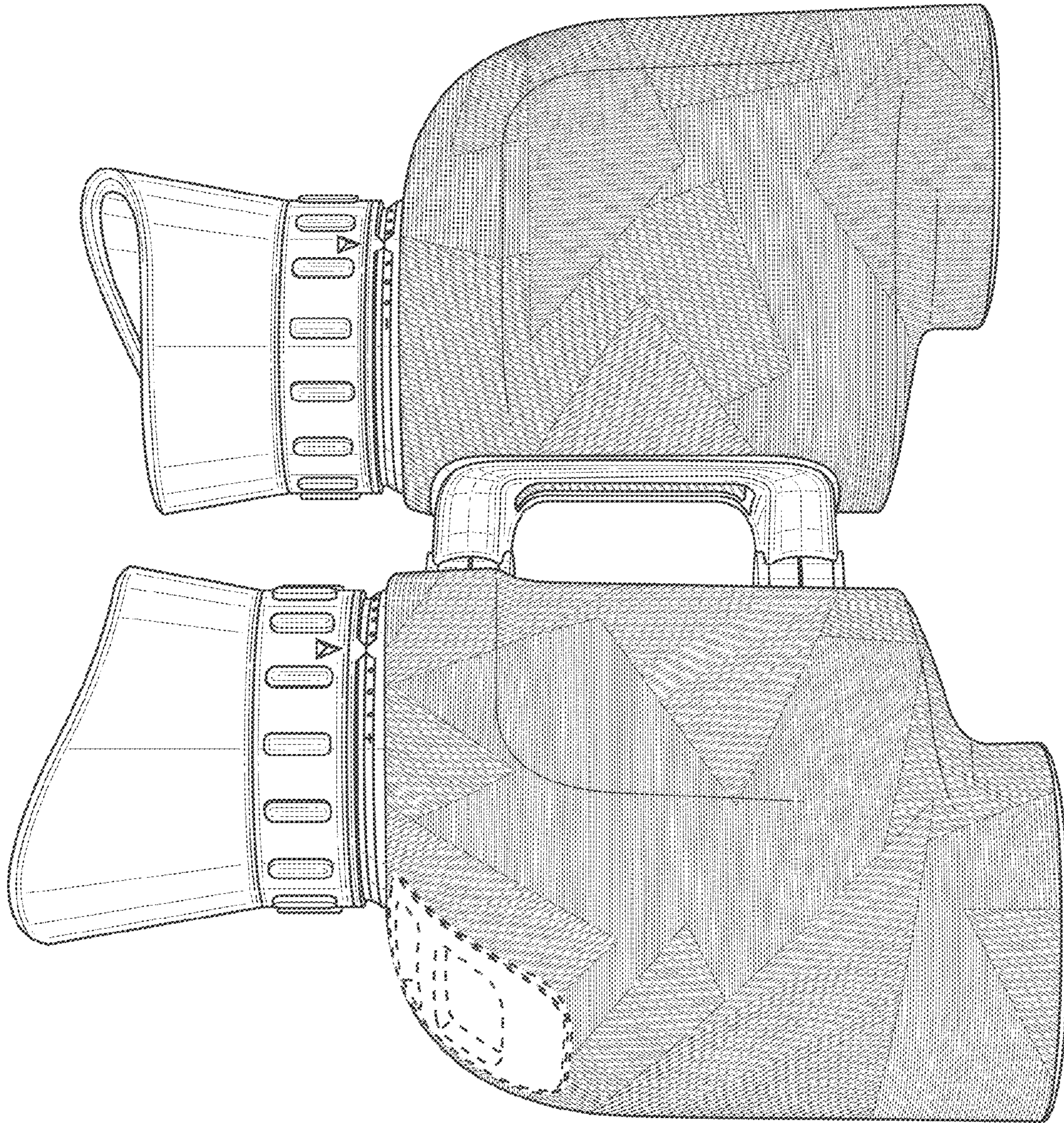


FIG. 2

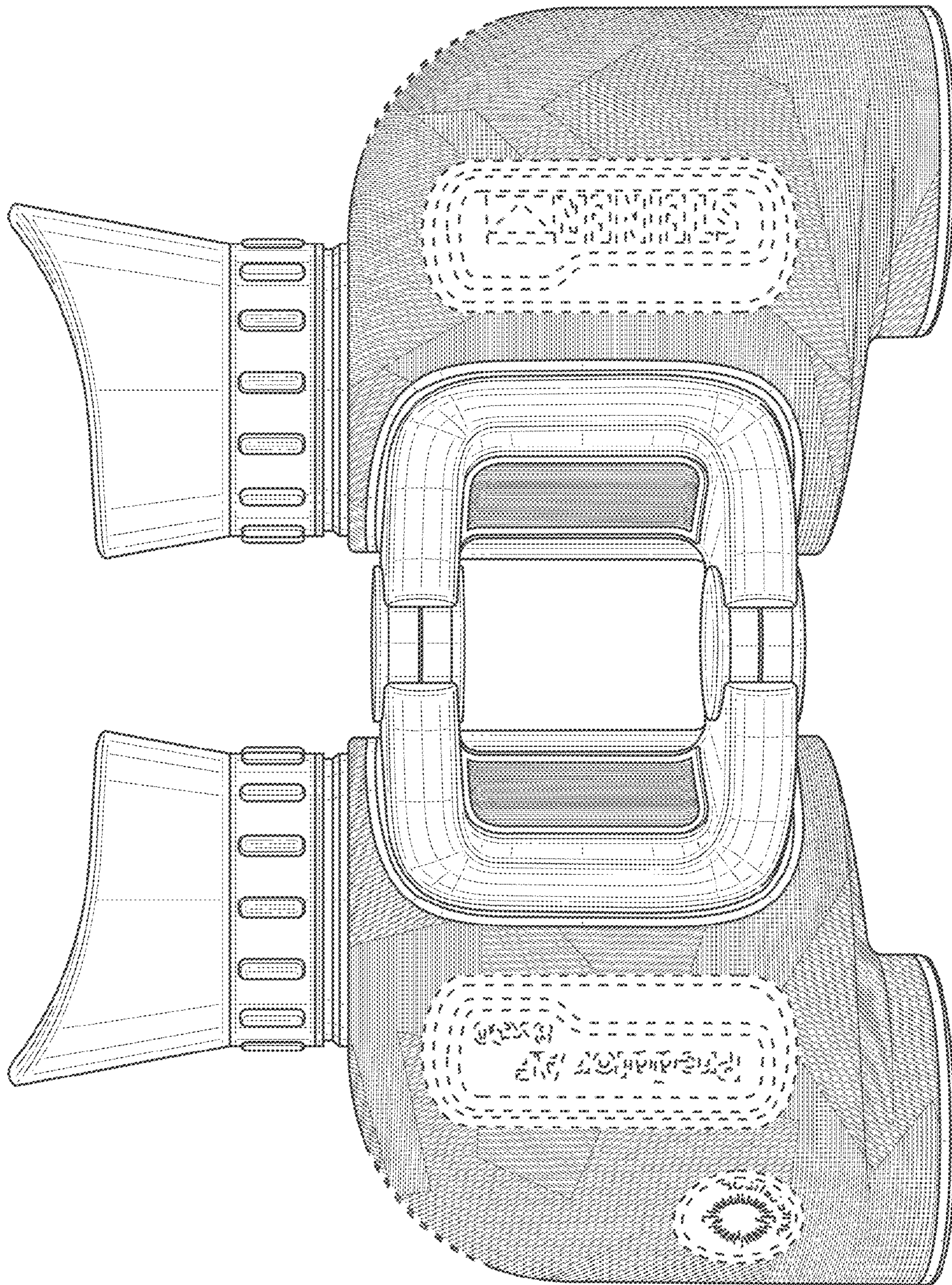


FIG. 3

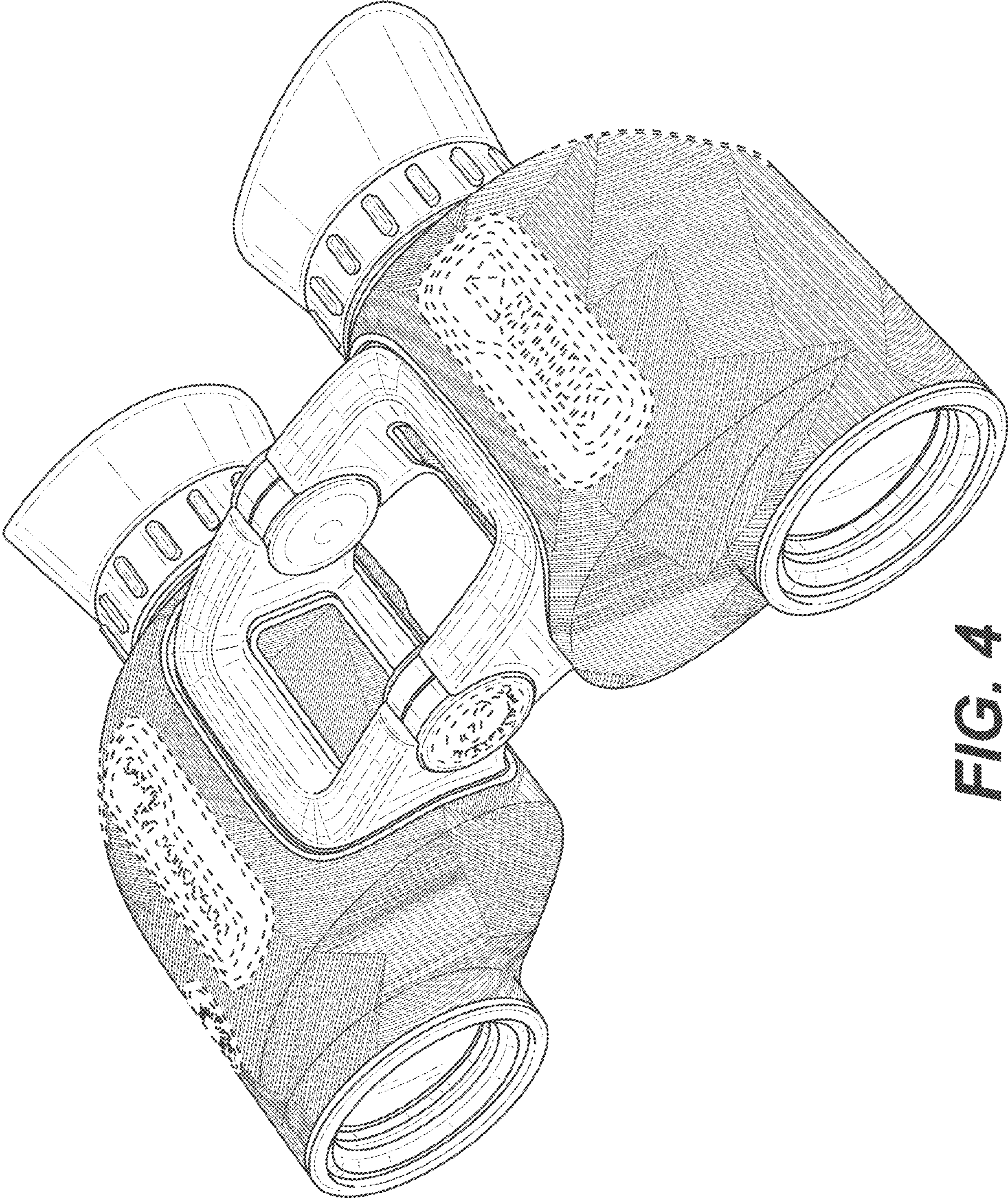


FIG. 4

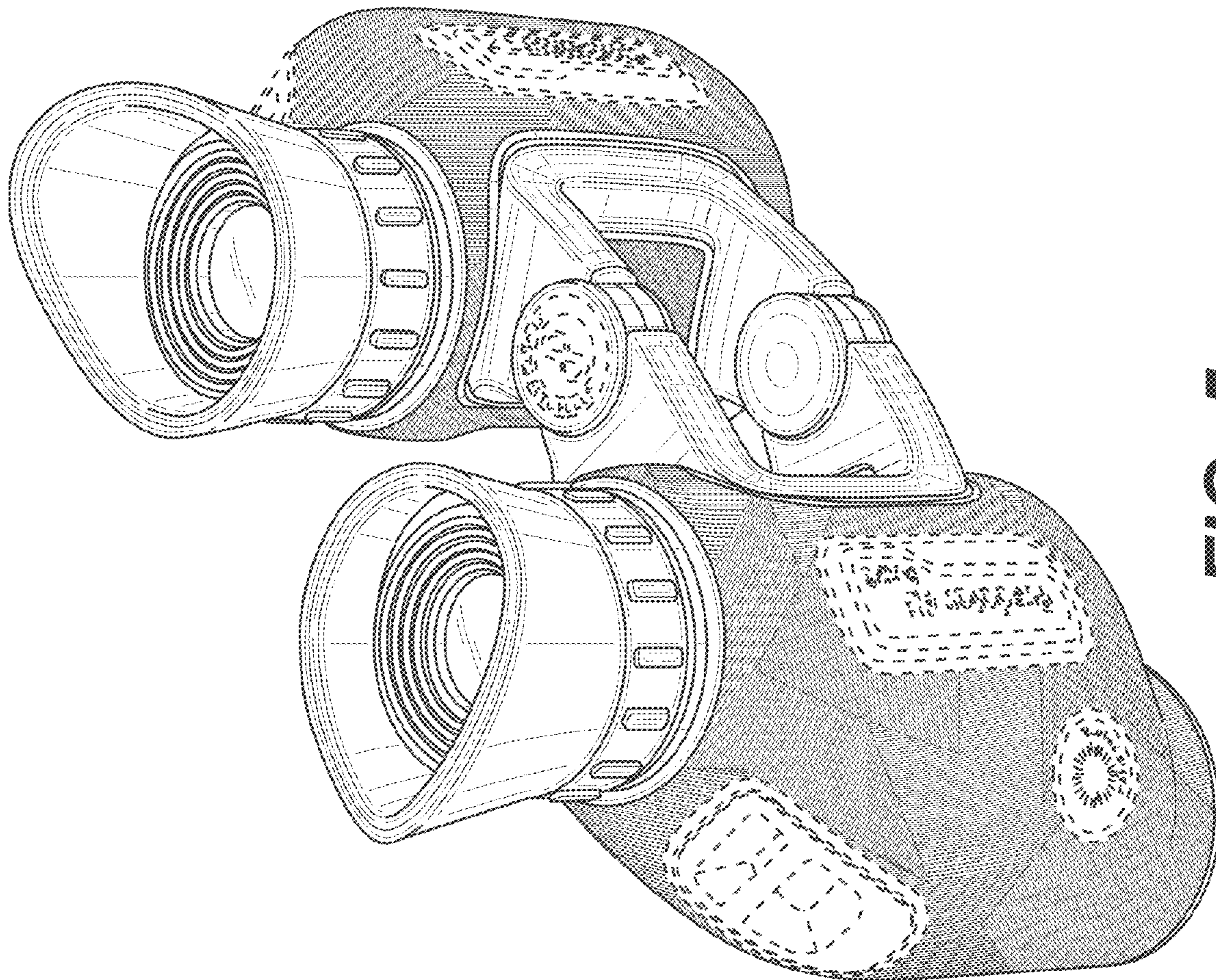


FIG. 5

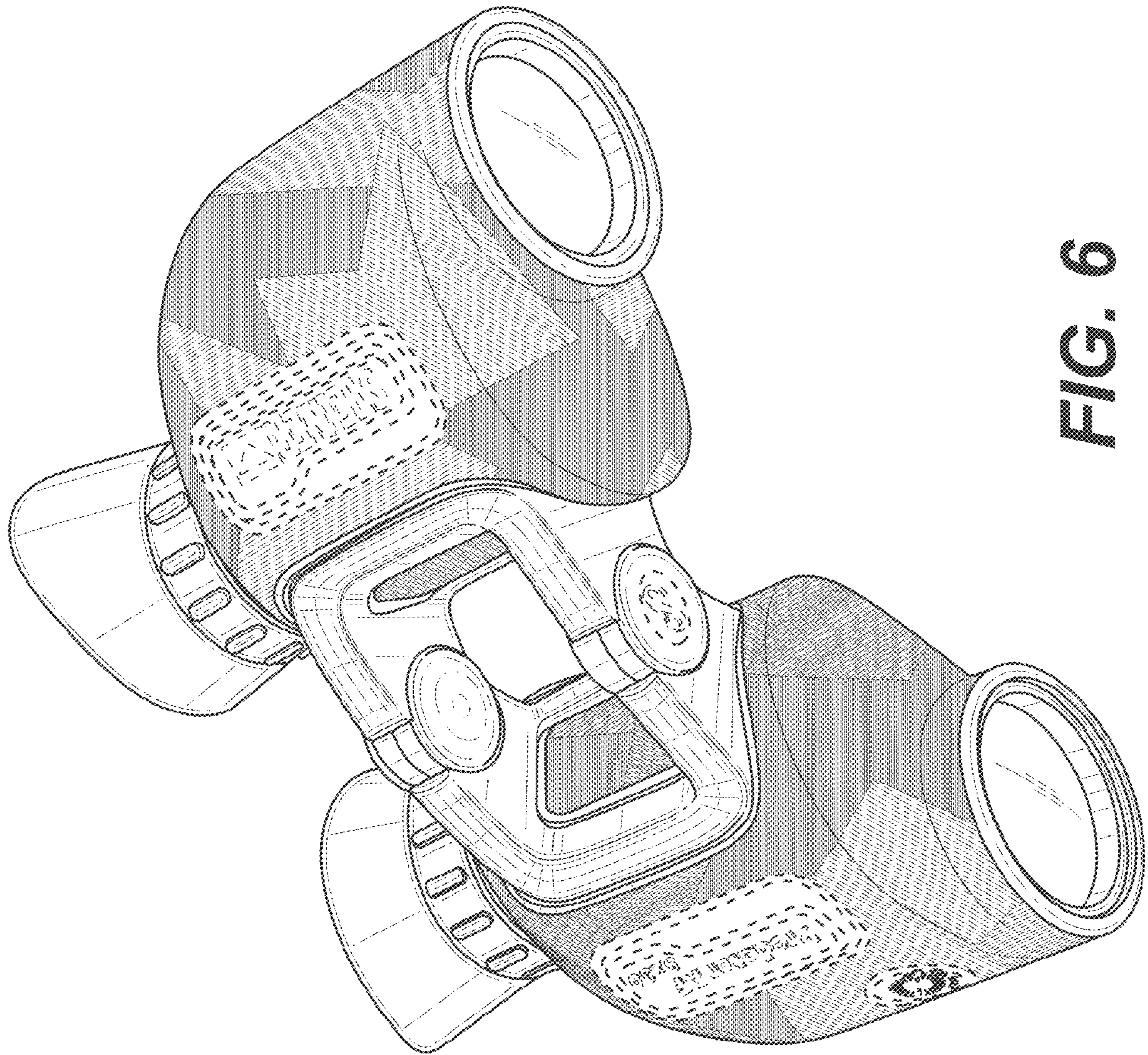


FIG. 6