



US00D906394S

(12) **United States Design Patent** (10) **Patent No.:** **US D906,394 S**  
**Takizawa et al.** (45) **Date of Patent:** **\*\* Dec. 29, 2020**

(54) **LASER MEASUREMENT DEVICE**

(71) Applicant: **FUJITSU LIMITED**, Kawasaki (JP)

(72) Inventors: **Tomohiro Takizawa**, Kawasaki (JP);  
**Rei Kato**, Kawasaki (JP); **Manami Taniguchi**, Kawasaki (JP)

(73) Assignee: **FUJITSU LIMITED**, Kawasaki (JP)

(\*\*) Term: **15 Years**

(21) Appl. No.: **35/507,800**

(22) Filed: **May 15, 2019**

(80) **Hague Agreement Data**  
 Int. Filing Date: **May 15, 2019**  
 Int. Reg. No.: **DM/203827**  
 Int. Reg. Date: **May 15, 2019**  
 Int. Reg. Pub. Date: **Nov. 15, 2019**

(30) **Foreign Application Priority Data**  
 Nov. 19, 2018 (JP) ..... 2018-025174

(51) **LOC (12) Cl.** ..... **16-06**

(52) **U.S. Cl.**  
 USPC ..... **D16/132**

(58) **Field of Classification Search**  
 USPC ..... D16/132; D22/109  
 CPC .... G01C 15/002; G01C 17/28; G01B 11/002;  
 F41G 3/165

See application file for complete search history.

(56) **References Cited**

U.S. PATENT DOCUMENTS

|            |      |         |         |       |             |
|------------|------|---------|---------|-------|-------------|
| 8,204,313  | B2 * | 6/2012  | Wheeler | ..... | G01C 15/002 |
|            |      |         |         |       | 382/195     |
| 9,372,265  | B2 * | 6/2016  | Zweigle | ..... | G01B 11/002 |
| D852,311   | S *  | 6/2019  | Honda   | ..... | D22/109     |
| 10,422,640 | B2 * | 9/2019  | Annen   | ..... | G01C 17/28  |
| D870,172   | S *  | 12/2019 | Ueno    | ..... | D16/132     |
| D870,173   | S *  | 12/2019 | Ueno    | ..... | D16/132     |
| D870,174   | S *  | 12/2019 | Ueno    | ..... | D16/132     |
| 10,704,862 | B2 * | 7/2020  | Chung   | ..... | F41G 3/165  |

\* cited by examiner

*Primary Examiner* — George D. Kirschbaum  
 (74) *Attorney, Agent, or Firm* — Oblon, McClelland, Maier & Neustadt, L.L.P.

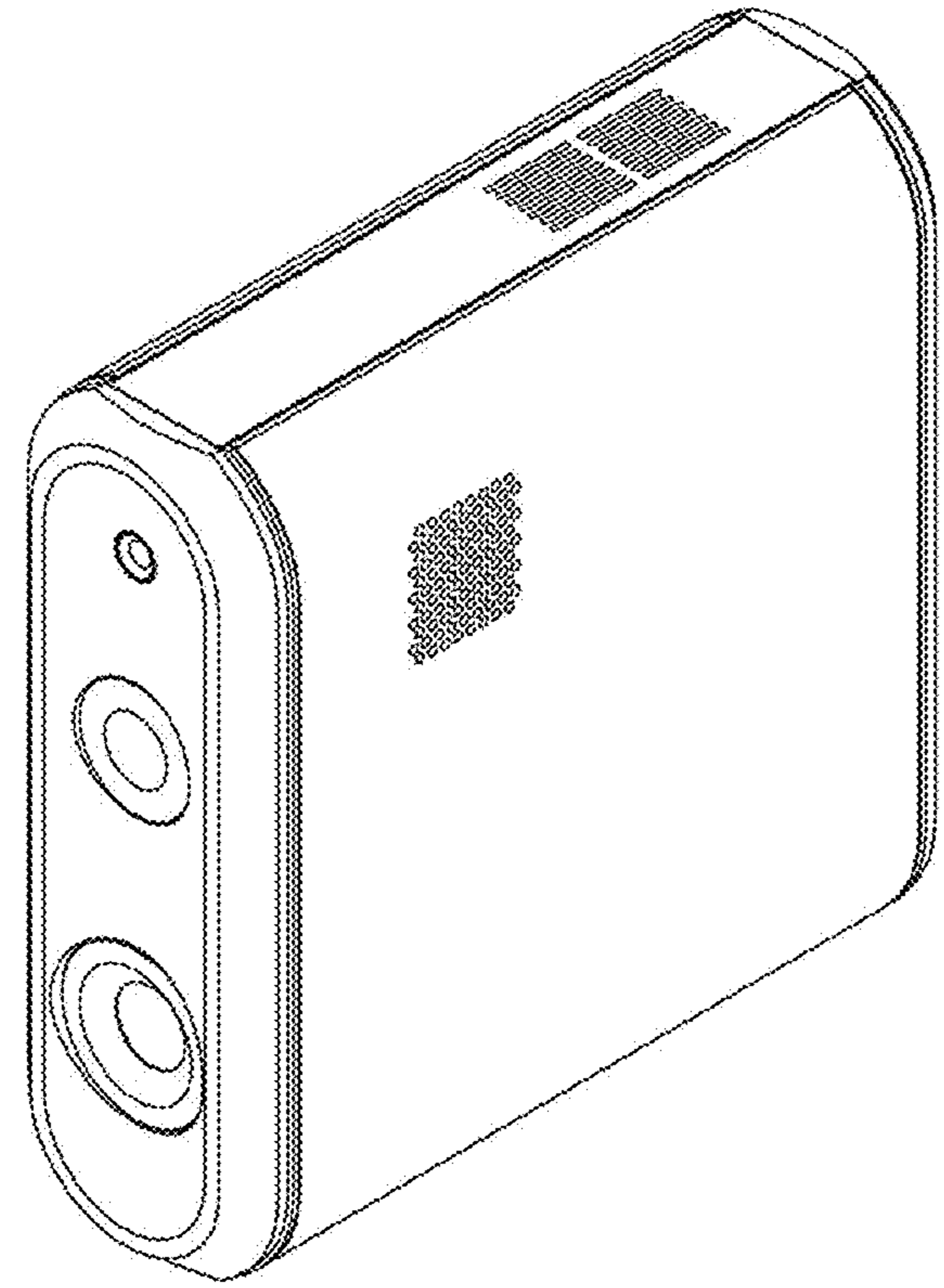
(57) **CLAIM**

The ornamental design for laser measurement device, as shown and described.

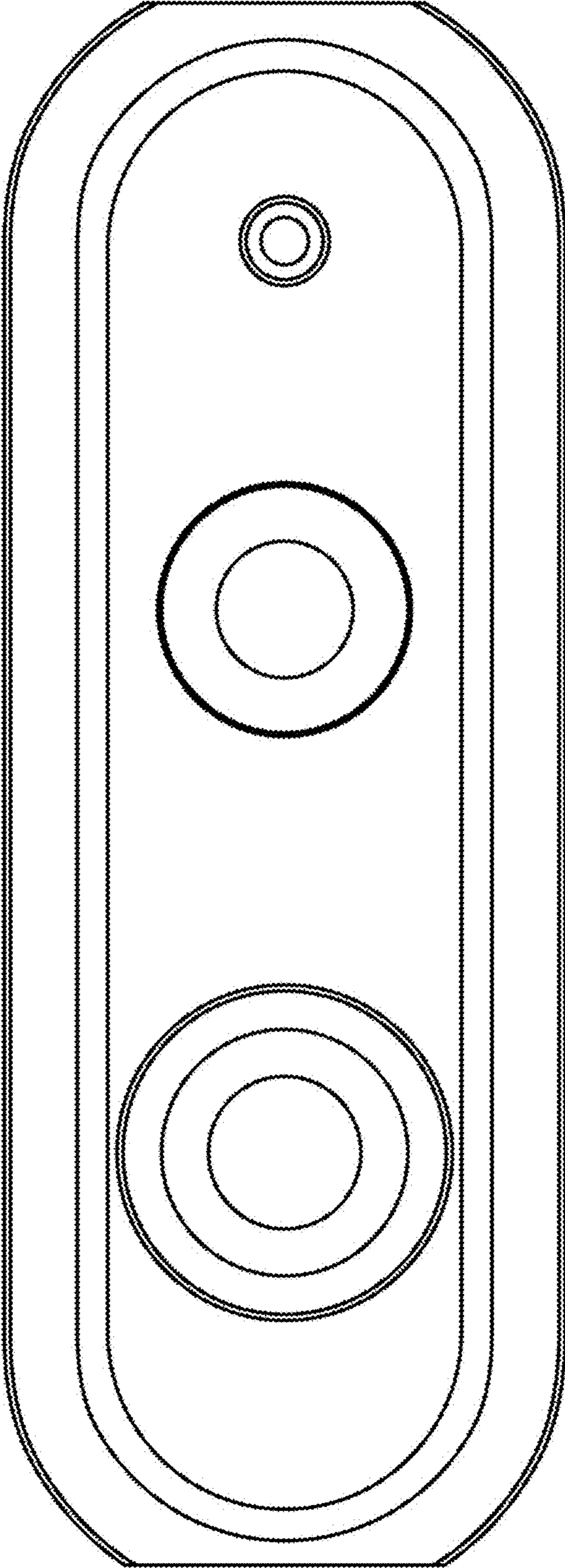
**DESCRIPTION**

1. Laser measurement device  
 1.1 : Front  
 1.2 : Back  
 1.3 : Top  
 1.4 : Bottom  
 1.5 : Right  
 1.6 : Left  
 1.7 : Perspective

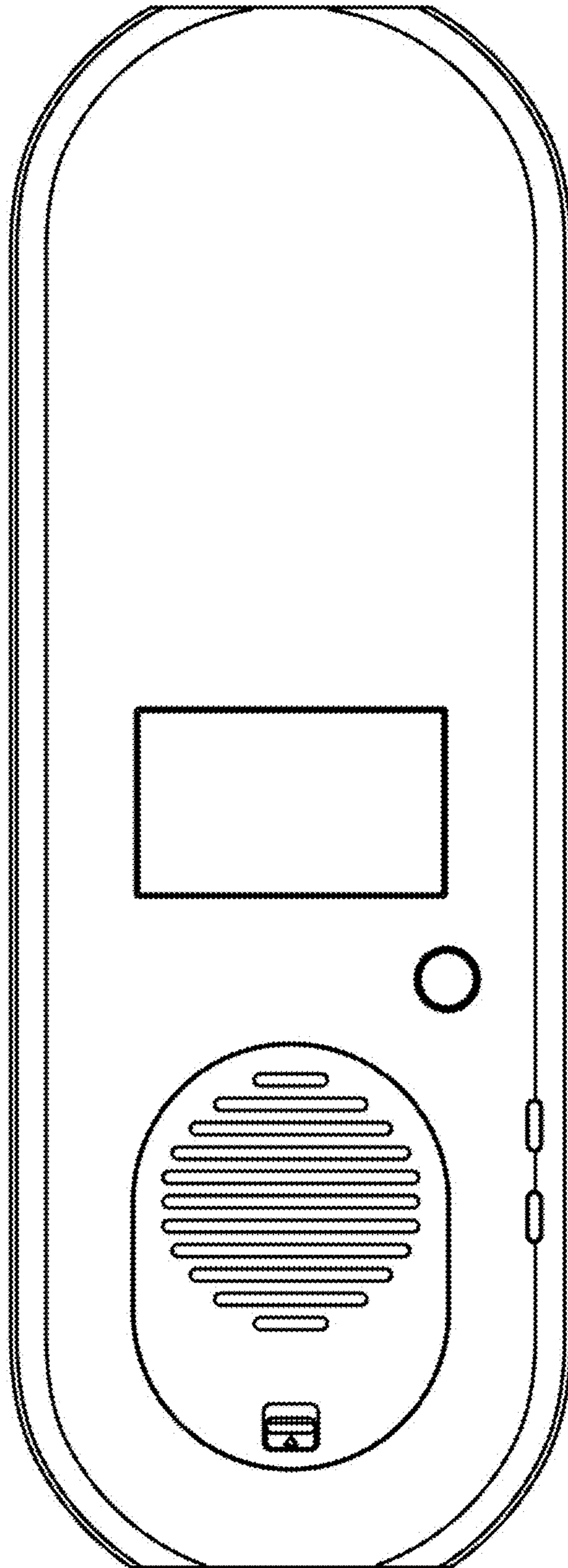
**1 Claim, 7 Drawing Sheets**



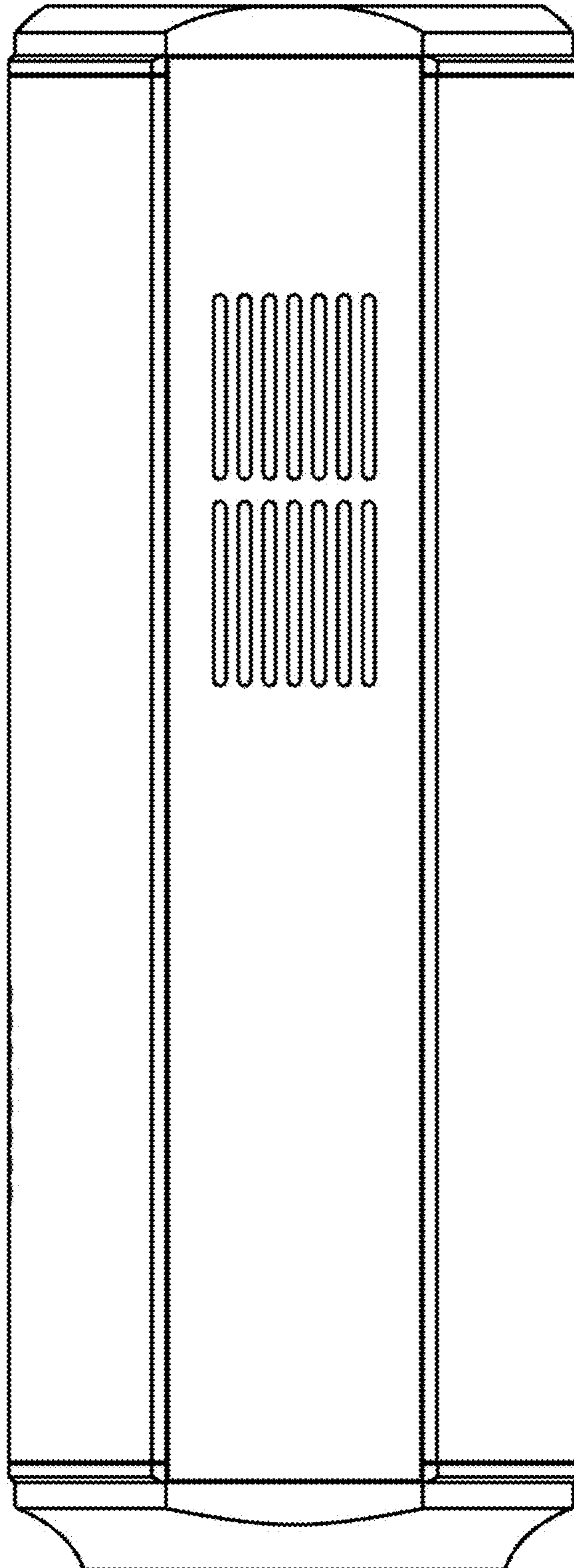
1.1



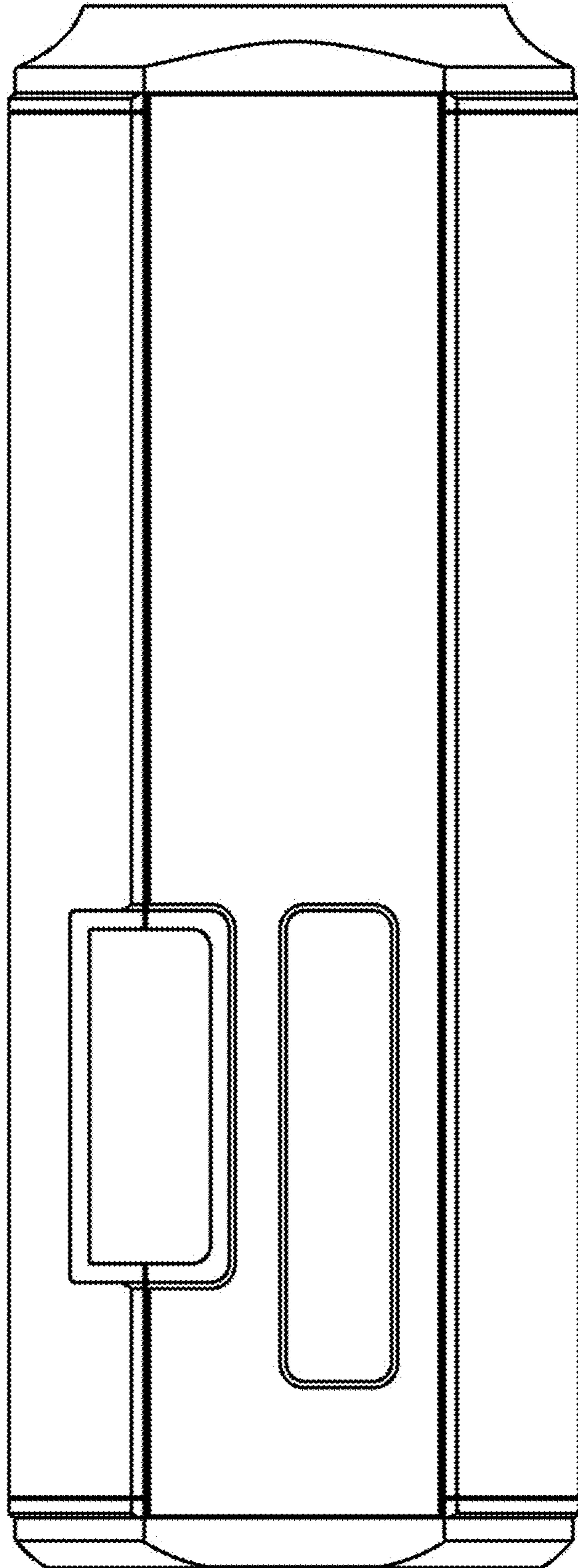
1.2



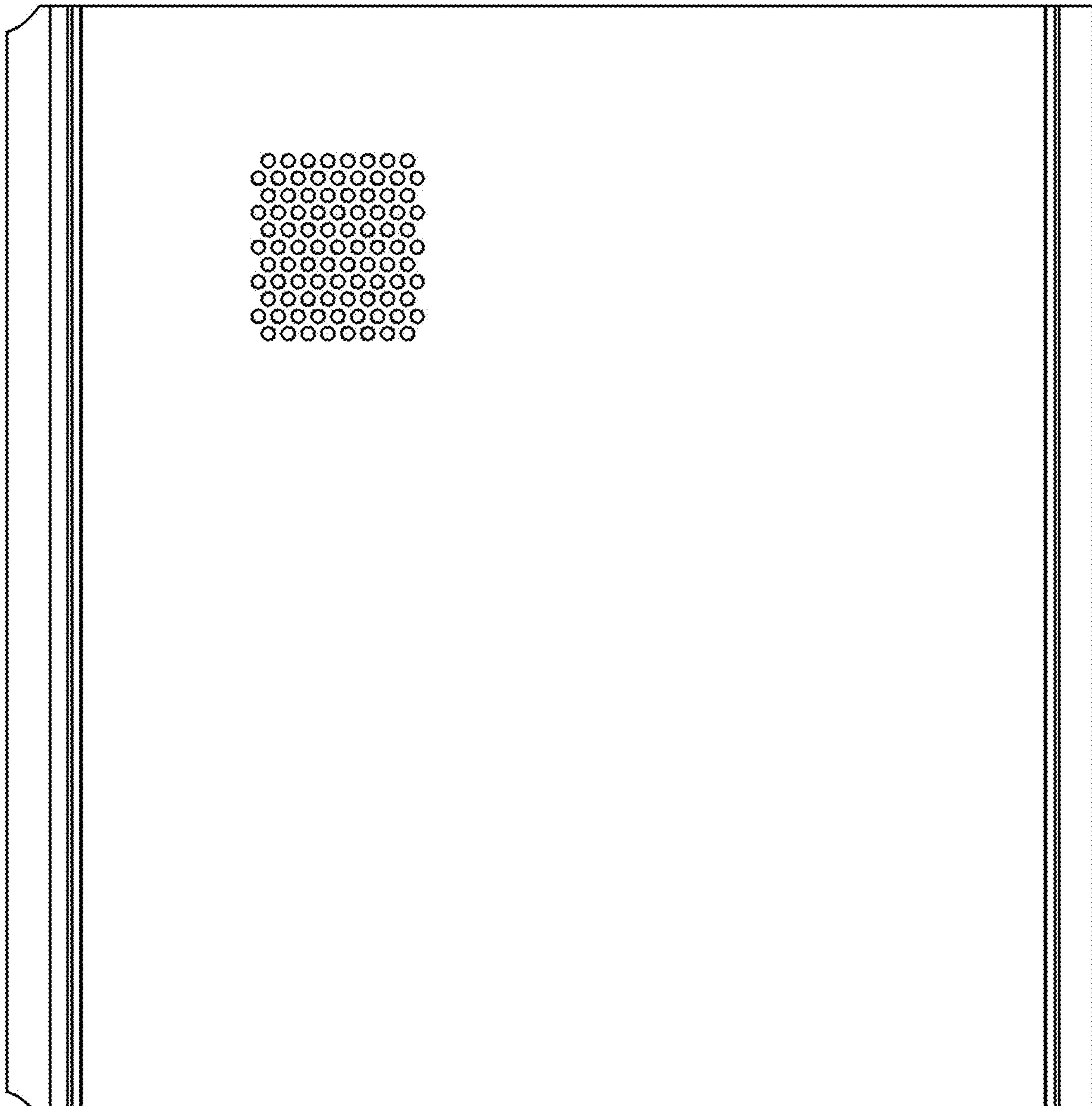
1.3



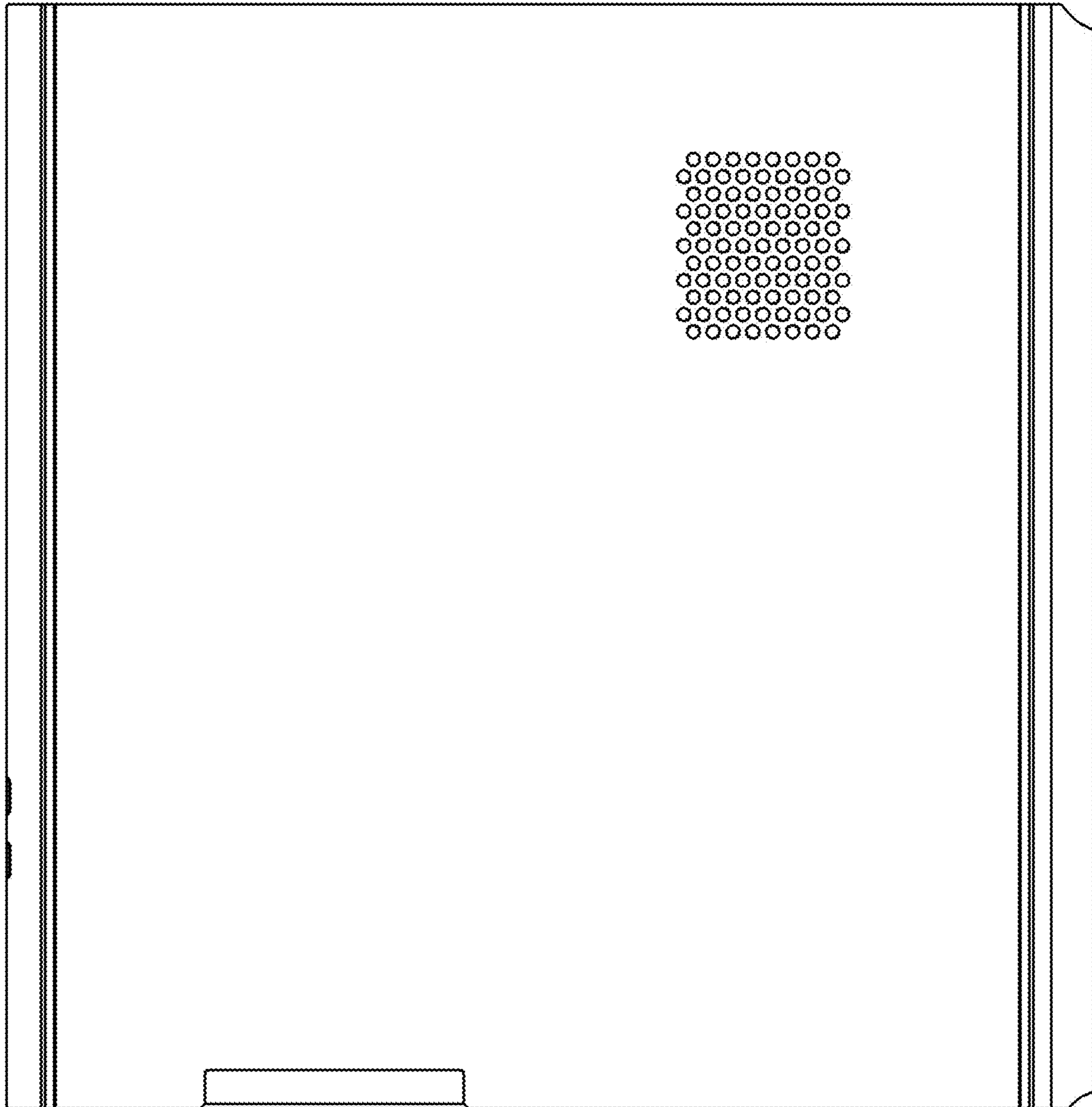
1.4



1.5



1.6



1.7

