



US00D906393S

(12) **United States Design Patent** (10) **Patent No.:** **US D906,393 S**
Gulassa et al. (45) **Date of Patent:** **** Dec. 29, 2020**

(54) **ROBOT SYSTEM WITH ILLUMINATED INDICATOR RING**

(71) Applicant: **Omron Robotics and Safety Technologies, Inc.**, Pleasanton, CA (US)

(72) Inventors: **C. Brian Gulassa**, Berkeley, CA (US); **Daniel P. Norboe**, Alameda, CA (US); **Tim Vickroy**, Livermore, CA (US)

(73) Assignee: **Omron Robotics and Safety Technologies, Inc.**, Pleasanton, CA (US)

(**) Term: **15 Years**

(21) Appl. No.: **29/745,846**

(22) Filed: **Aug. 10, 2020**

Related U.S. Application Data

(63) Continuation of application No. 29/645,824, filed on Apr. 30, 2018.

(51) **LOC (12) Cl.** **15-99**

(52) **U.S. Cl.**
USPC **D15/199**

(58) **Field of Classification Search**
USPC D15/122, 199; D21/578-583, 621, 622
CPC B25J 5/007; B25J 9/00; B25J 9/04; B25J 18/00; B60B 19/006; B62D 57/024; Y10S 901/01

See application file for complete search history.

(56) **References Cited**

U.S. PATENT DOCUMENTS

D282,077 S 1/1986 Abe et al.
D503,943 S 4/2005 Kawaguchi
D615,574 S 5/2010 Liu et al.
D636,803 S 4/2011 Nakagiri et al.
D650,820 S 12/2011 Long

D711,061 S 8/2014 Chen
D711,447 S 8/2014 Kasahara
D712,448 S 9/2014 Kasahara
D713,436 S 9/2014 Liu
D790,618 S 6/2017 Ke et al.
D800,199 S 10/2017 Yang et al.

(Continued)

FOREIGN PATENT DOCUMENTS

JP 1070203 S 5/2000

OTHER PUBLICATIONS

“New Product Assembly Robot ’98-8”, Panasonic (Matsushita), received by JPO on Aug. 25, 1998, HC1001908000, Aug. 25, 1998.

(Continued)

Primary Examiner — Patricia A Palasik

(74) *Attorney, Agent, or Firm* — Murphy, Bilak & Homiller, PLLC

(57) **CLAIM**

We claim the ornamental design for a robot system with illuminated indicator ring, as shown and described.

DESCRIPTION

FIG. 1 is a front perspective view of a robot system with illuminated indicator ring according to our novel, original, and ornamental design; and

FIG. 2 is a rear perspective view thereof;

FIG. 3 is a front view thereof;

FIG. 4 is a rear view thereof;

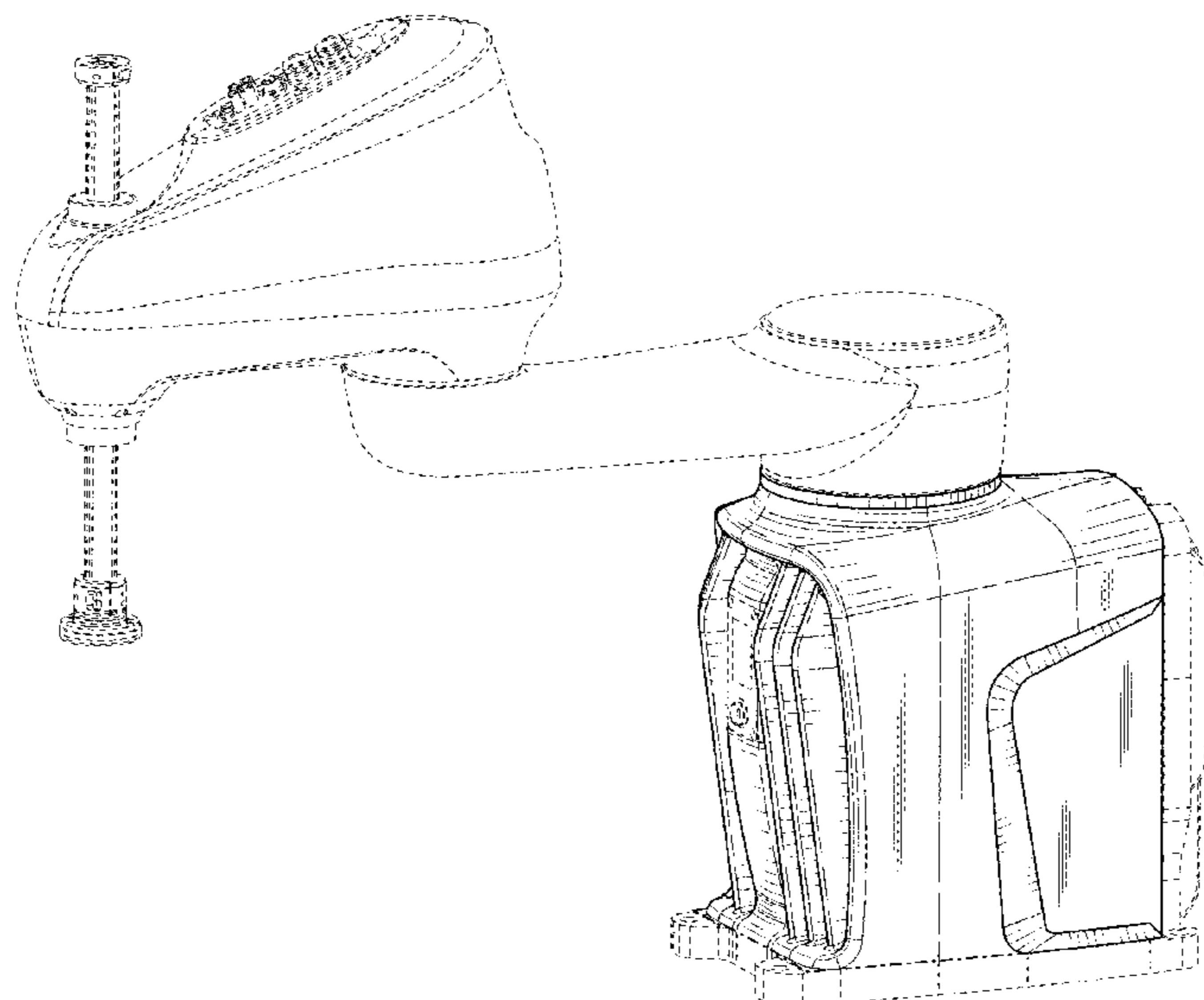
FIG. 5 is a left side view thereof; and,

FIG. 6 is a right side view thereof.

The shade lines in the Figures show contour and not surface ornamentation.

The broken lines in the Figures depict portions of the robot system with illuminated indicator ring which form no part of the claimed ornamental design.

1 Claim, 5 Drawing Sheets



(56)

References Cited

U.S. PATENT DOCUMENTS

D818,511 S 5/2018 Li et al.
D833,499 S 11/2018 Wang et al.
D839,941 S 2/2019 Gao et al.
D839,942 S 2/2019 Feng et al.
D860,280 S * 9/2019 Gulassa D15/199
D860,281 S * 9/2019 Gulassa D15/199
D860,282 S * 9/2019 Gulassa D15/199

OTHER PUBLICATIONS

“Robot General Catalog”, Seiko Epson Corporation, 2009 New Product Catalog No. 004, HN0900220000, Dec. 19, 1996, p. 5.
“Yamaha SCARA Robot YK-X Series”, Yamaha Motor Co., Ltd., 200 New Product Catalog, HN1201083900, Oct. 20, 2000, p. 6.

* cited by examiner

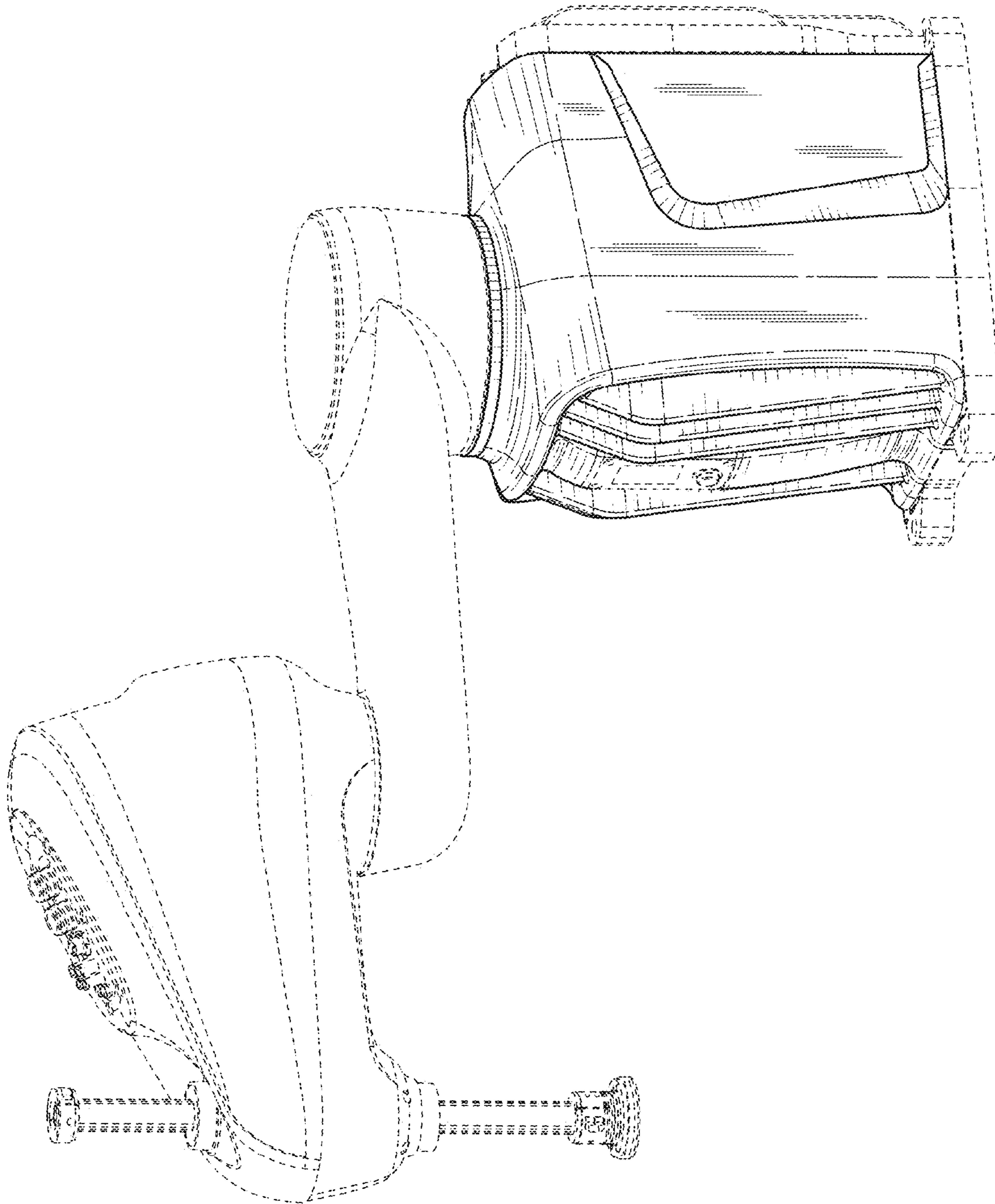


FIG. 1

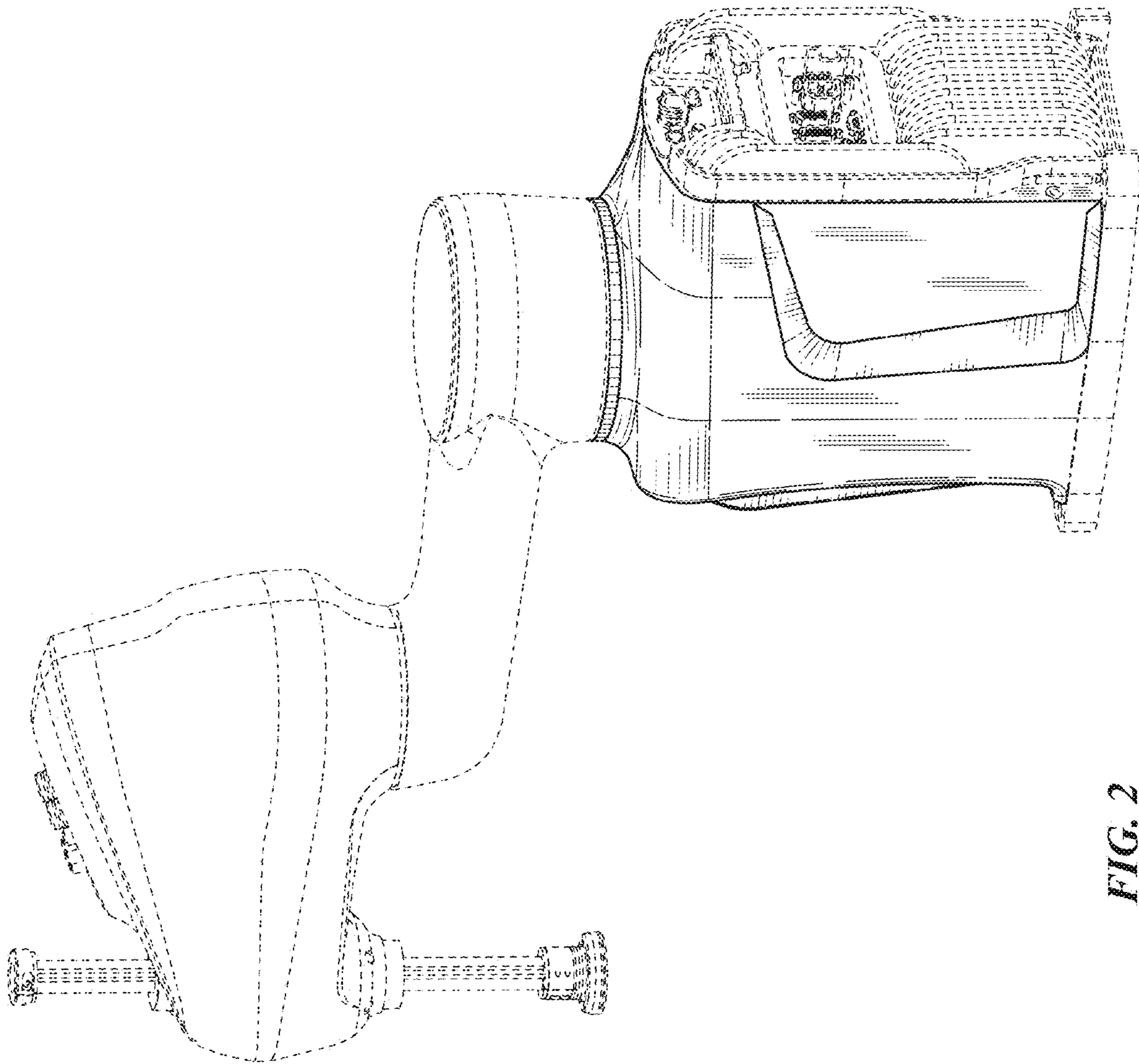


FIG. 2

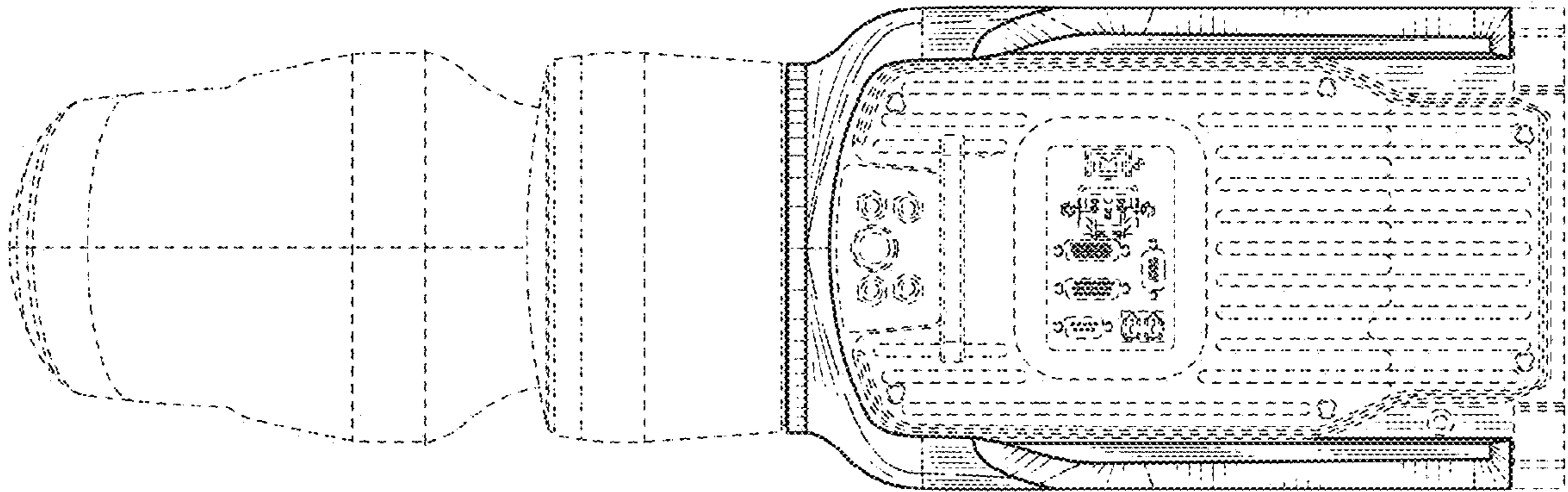


FIG. 4

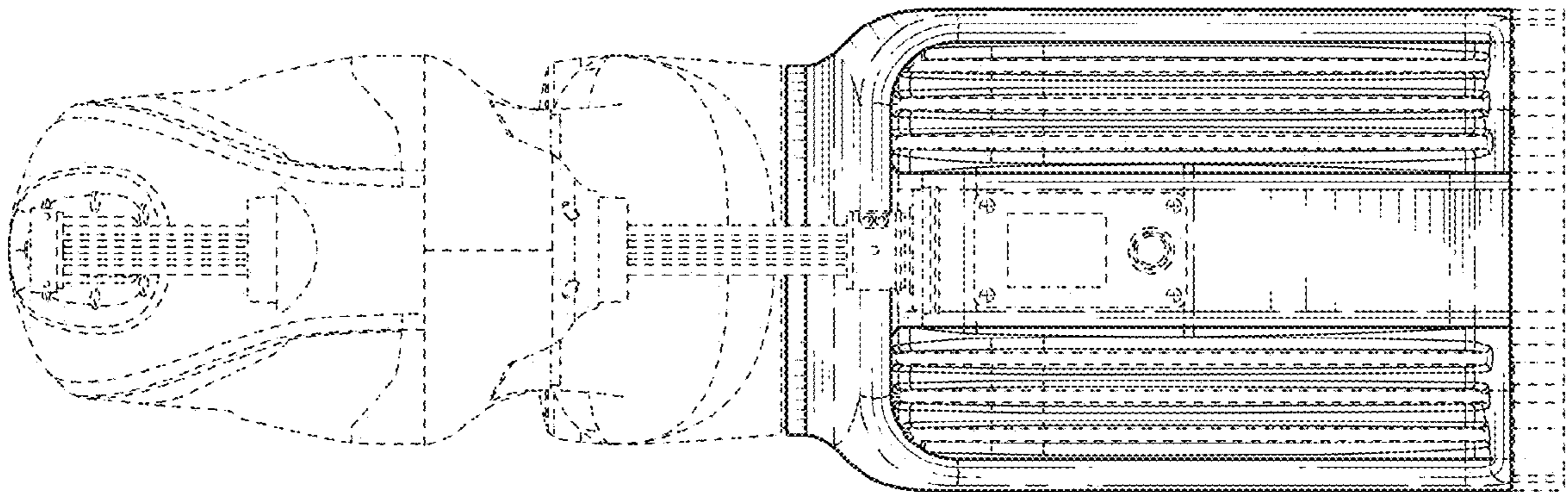


FIG. 3

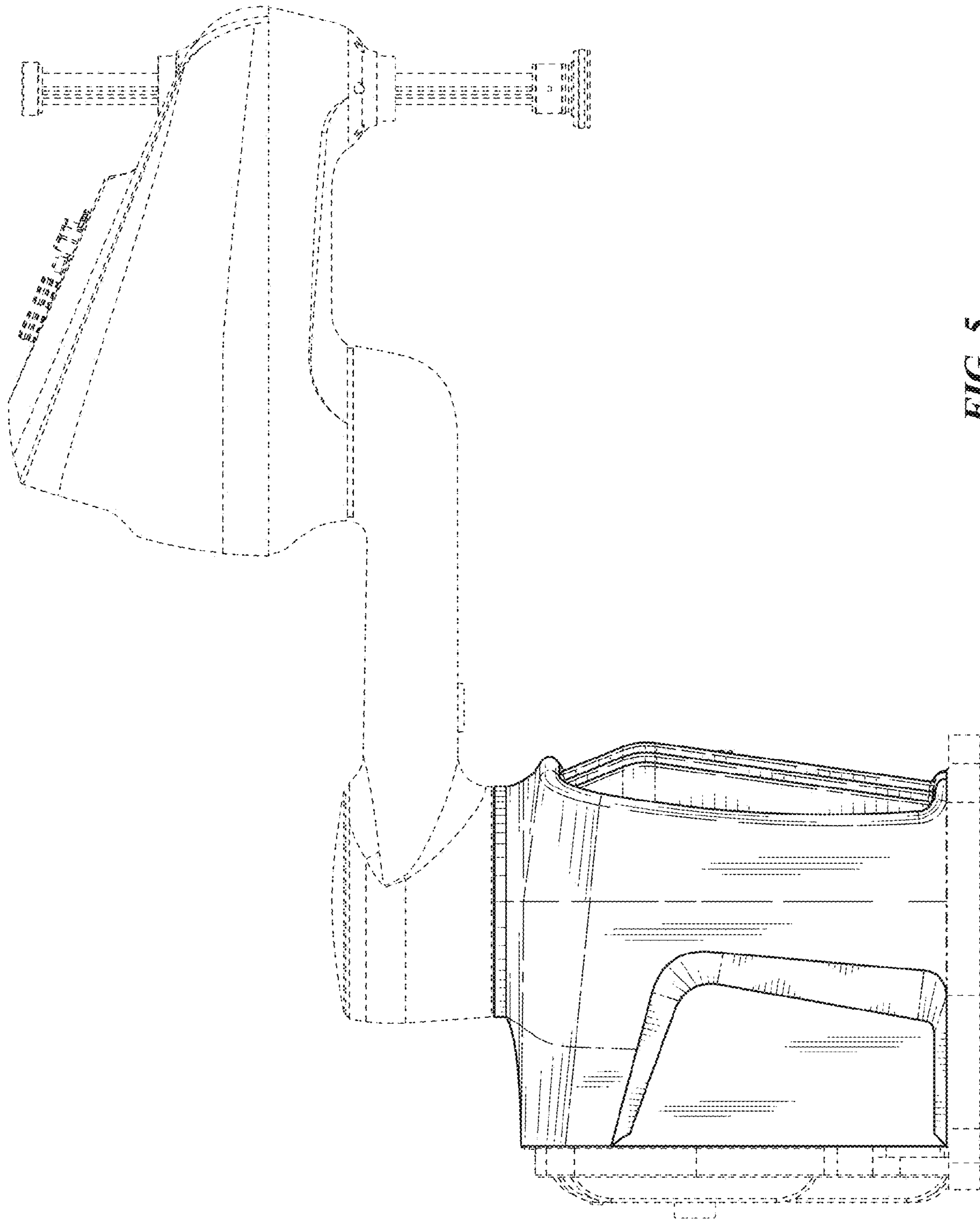


FIG. 5

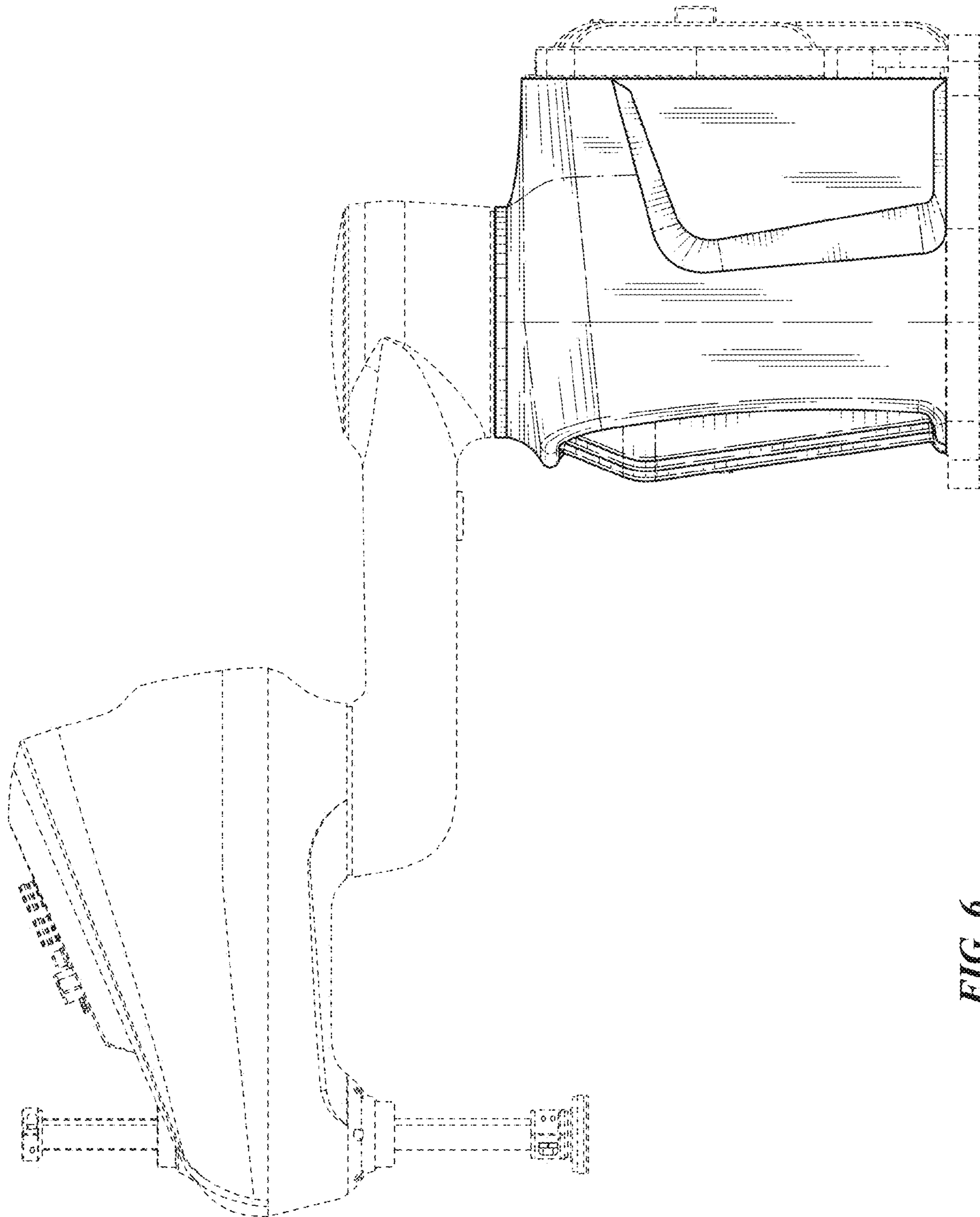


FIG. 6