



US00D906392S

(12) **United States Design Patent** (10) **Patent No.:** **US D906,392 S**  
**Wappler et al.** (45) **Date of Patent:** **\*\* Dec. 29, 2020**

(54) **ROBOTIC ARM**  
(71) Applicant: **AGILE ROBOTS AG**, Gilching (DE)  
(72) Inventors: **Fabian Wappler**, Gilching (DE);  
**Daniel Duerr**, Gilching (DE)  
(73) Assignee: **Agile Robots AG**, Gilching (DE)  
(\*\*) Term: **15 Years**  
(21) Appl. No.: **29/719,083**  
(22) Filed: **Dec. 31, 2019**

(30) **Foreign Application Priority Data**  
Jul. 4, 2019 (EM) ..... 006612495-0001  
Jul. 4, 2019 (EM) ..... 006612495-0002  
Jul. 4, 2019 (EM) ..... 006612495-0003  
Jul. 4, 2019 (EM) ..... 006612495-0004  
(51) **LOC (12) Cl.** ..... **15-99**  
(52) **U.S. Cl.**  
USPC ..... **D15/199**  
(58) **Field of Classification Search**  
USPC ..... D15/122, 199; D21/578-583; D32/21;  
D34/34  
CPC .... B25J 9/046; B25J 9/042; B25J 9/06; H01L  
21/67766  
See application file for complete search history.

(56) **References Cited**  
**U.S. PATENT DOCUMENTS**  
3,476,266 A \* 11/1969 Devol ..... G05B 19/0405  
414/730  
4,273,506 A \* 6/1981 Thomson ..... B25J 9/046  
294/106  
D274,182 S \* 6/1984 Kato ..... D15/122  
D279,571 S \* 7/1985 Arai ..... D15/122  
D279,572 S \* 7/1985 Yasuoka ..... D15/122  
4,693,663 A \* 9/1987 Brenholt ..... B25J 9/047  
414/735

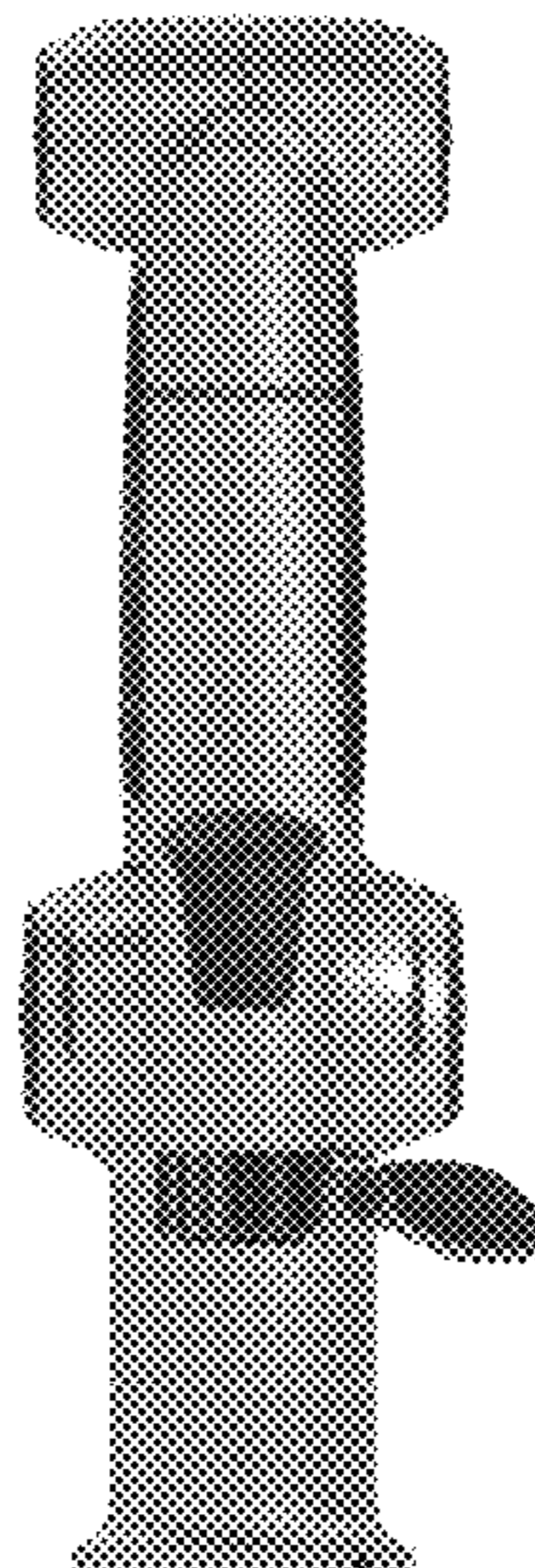
D293,449 S \* 12/1987 Kaufmann ..... D15/122  
4,766,775 A \* 8/1988 Hodge ..... B25J 9/08  
74/490.01  
D298,834 S \* 12/1988 Jones ..... D15/122

(Continued)  
*Primary Examiner* — Patricia A Palasik  
(74) *Attorney, Agent, or Firm* — Sutton Magidoff  
Barkume LLP

(57) **CLAIM**  
The ornamental design for a robotic arm, as shown and described.

**DESCRIPTION**  
FIG. 1 is a front view of a robotic arm showing our new design;  
FIG. 2 is a top view thereof;  
FIG. 3 is a back view thereof;  
FIG. 4 is a bottom view thereof;  
FIG. 5 is a stretched right view thereof;  
FIG. 6 is a stretched perspective right view thereof;  
FIG. 7 is a stretched front view thereof;  
FIG. 8 is a stretched bottom view thereof;  
FIG. 9 is a stretched back view thereof;  
FIG. 10 is another stretched right view thereof;  
FIG. 11 is a stretched left view thereof;  
FIG. 12 is a stretched right perspective view thereof;  
FIG. 13 is a stretched top view thereof;  
FIG. 14 is a left view thereof;  
FIG. 15 is a right view thereof;  
FIG. 16 is a perspective view thereof;  
FIG. 17 is a right twisted view thereof;  
FIG. 18 is a flexed back view thereof;  
FIG. 19 is a flexed bottom view thereof;  
FIG. 20 is a flexed front view thereof;  
FIG. 21 is a flexed left view thereof;  
FIG. 22 is a flexed right view thereof;  
FIG. 23 is a flexed perspective view thereof; and,  
FIG. 24 is a flexed top view thereof.

**1 Claim, 17 Drawing Sheets**



(56)

**References Cited**

U.S. PATENT DOCUMENTS

|              |      |         |                |             |
|--------------|------|---------|----------------|-------------|
| D423,534     | S *  | 4/2000  | Raab .....     | D15/199     |
| D610,926     | S *  | 3/2010  | Gerent .....   | D10/63      |
| D643,319     | S *  | 8/2011  | Ferrari .....  | D10/63      |
| D692,041     | S *  | 10/2013 | Selic .....    | D15/199     |
| D716,357     | S *  | 10/2014 | Gombert .....  | D15/199     |
| D776,178     | S *  | 1/2017  | Ries .....     | D15/199     |
| D782,553     | S *  | 3/2017  | Goto .....     | D15/199     |
| D802,041     | S *  | 11/2017 | He .....       | D15/199     |
| D830,439     | S *  | 10/2018 | Park .....     | D15/199     |
| D837,294     | S *  | 1/2019  | Ciniello ..... | D19/59      |
| D837,853     | S *  | 1/2019  | Deng .....     | D15/199     |
| D841,065     | S *  | 2/2019  | Hontani .....  | D15/199     |
| D841,712     | S *  | 2/2019  | Hontani .....  | D15/199     |
| 10,399,616   | B2 * | 9/2019  | Ellerman ..... | A63H 33/26  |
| D865,828     | S *  | 11/2019 | Bogart .....   | D15/199     |
| D873,878     | S *  | 1/2020  | Vazquez .....  | D15/199     |
| D874,530     | S *  | 2/2020  | Haddadin ..... | D15/199     |
| 2015/0224640 | A1 * | 8/2015  | Vu .....       | B25J 5/007  |
|              |      |         |                | 700/259     |
| 2016/0327383 | A1 * | 11/2016 | Becker .....   | G01B 11/005 |

\* cited by examiner

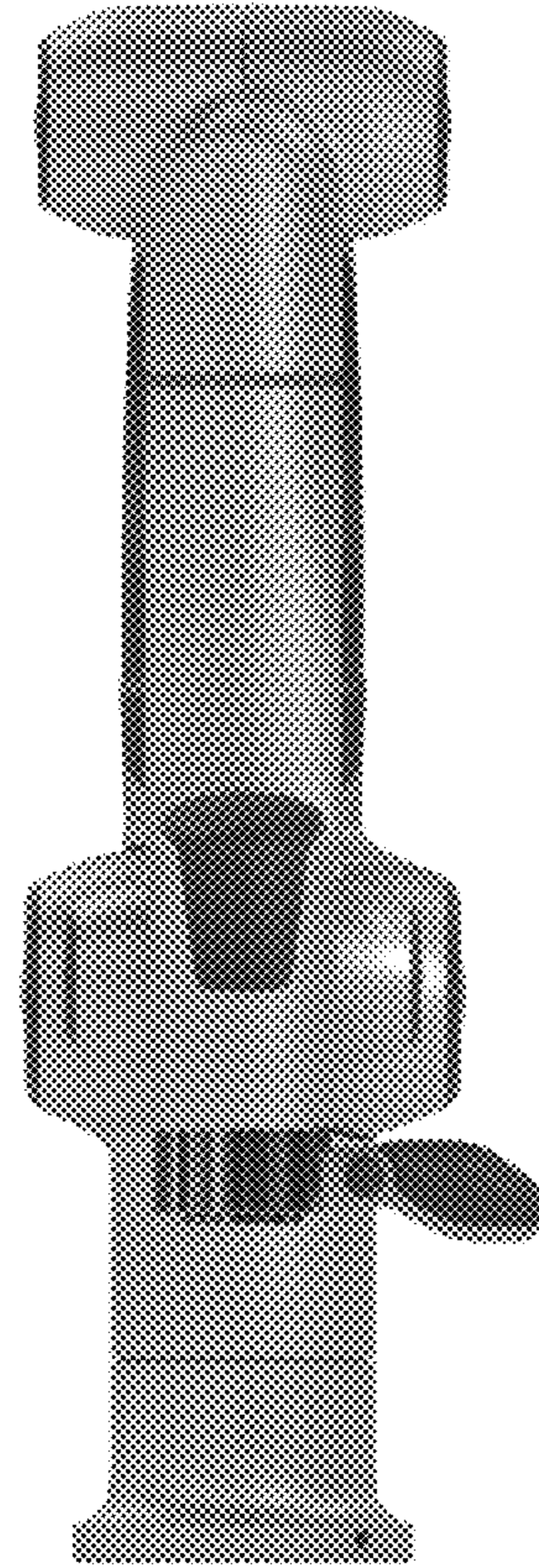


Figure 1

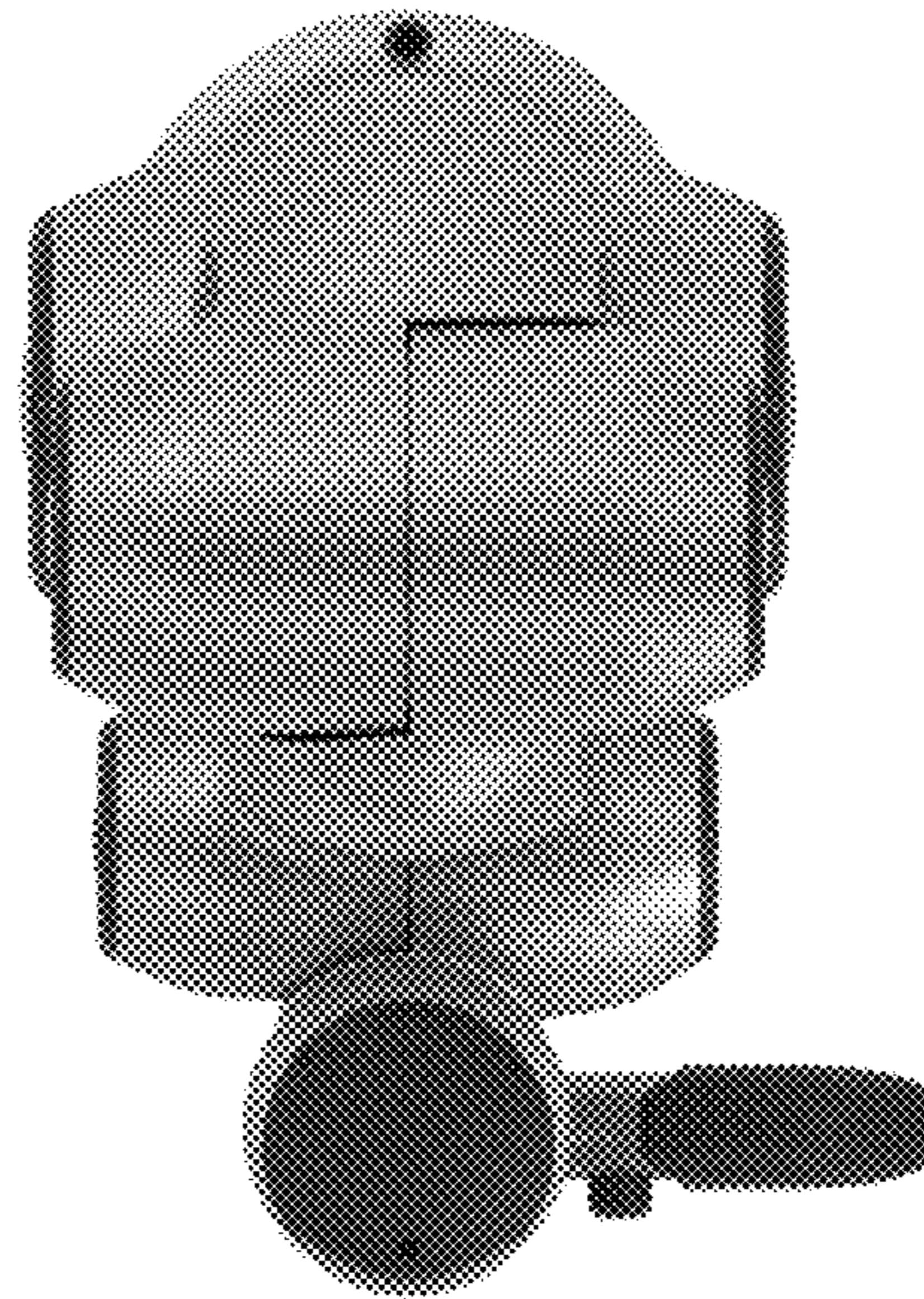


Figure 2

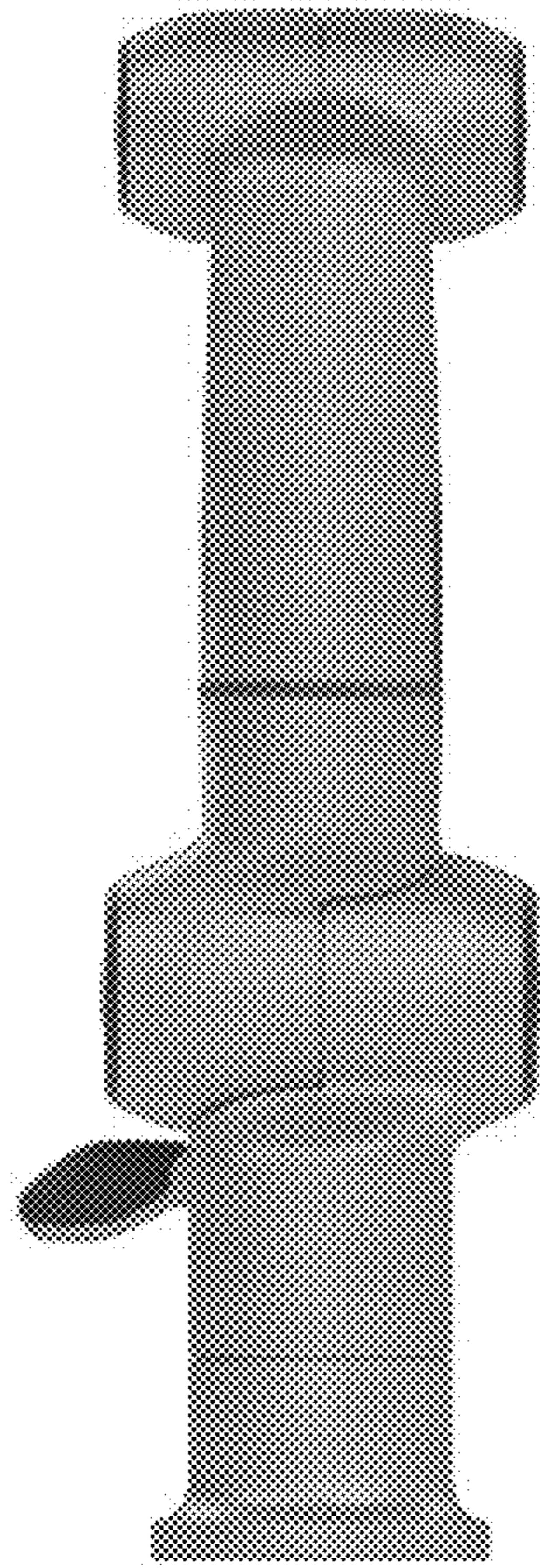


Figure 3

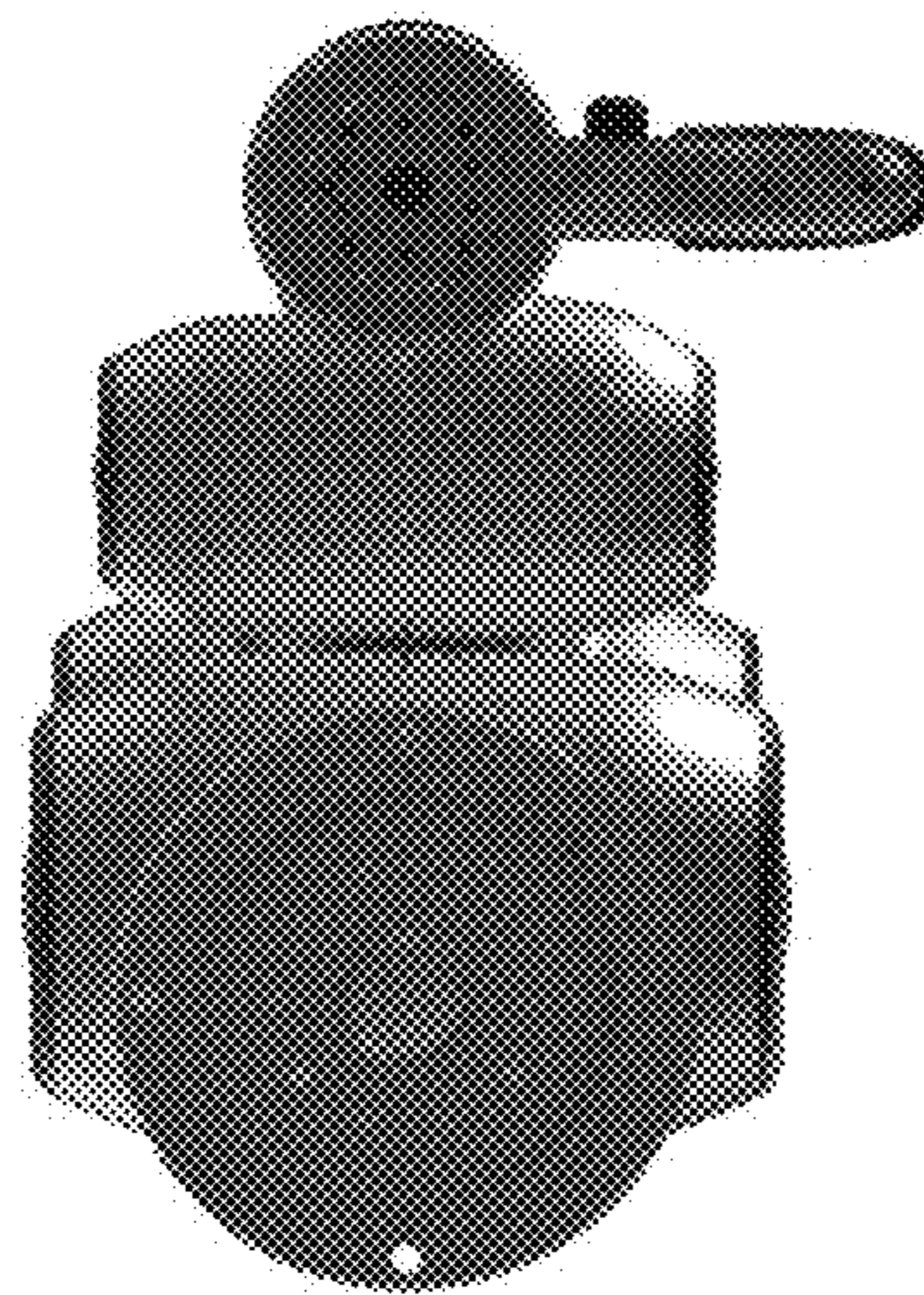


Figure 4



Figure 5

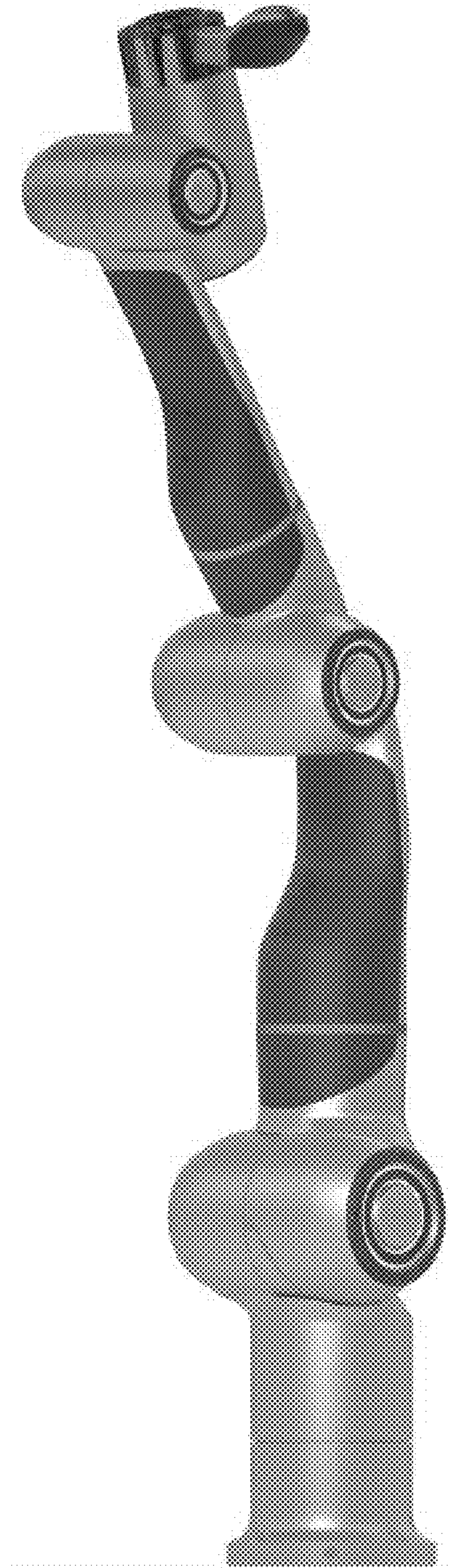


Figure 6

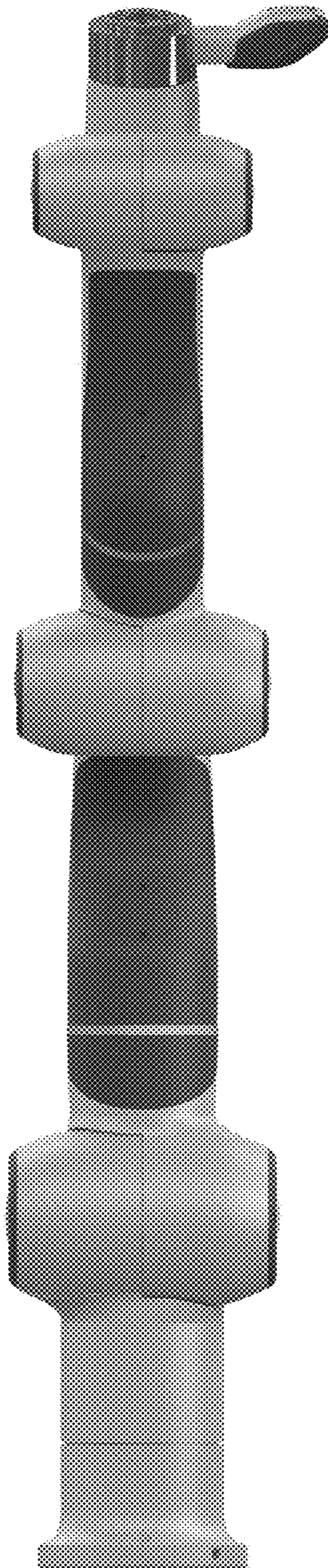


Figure 7

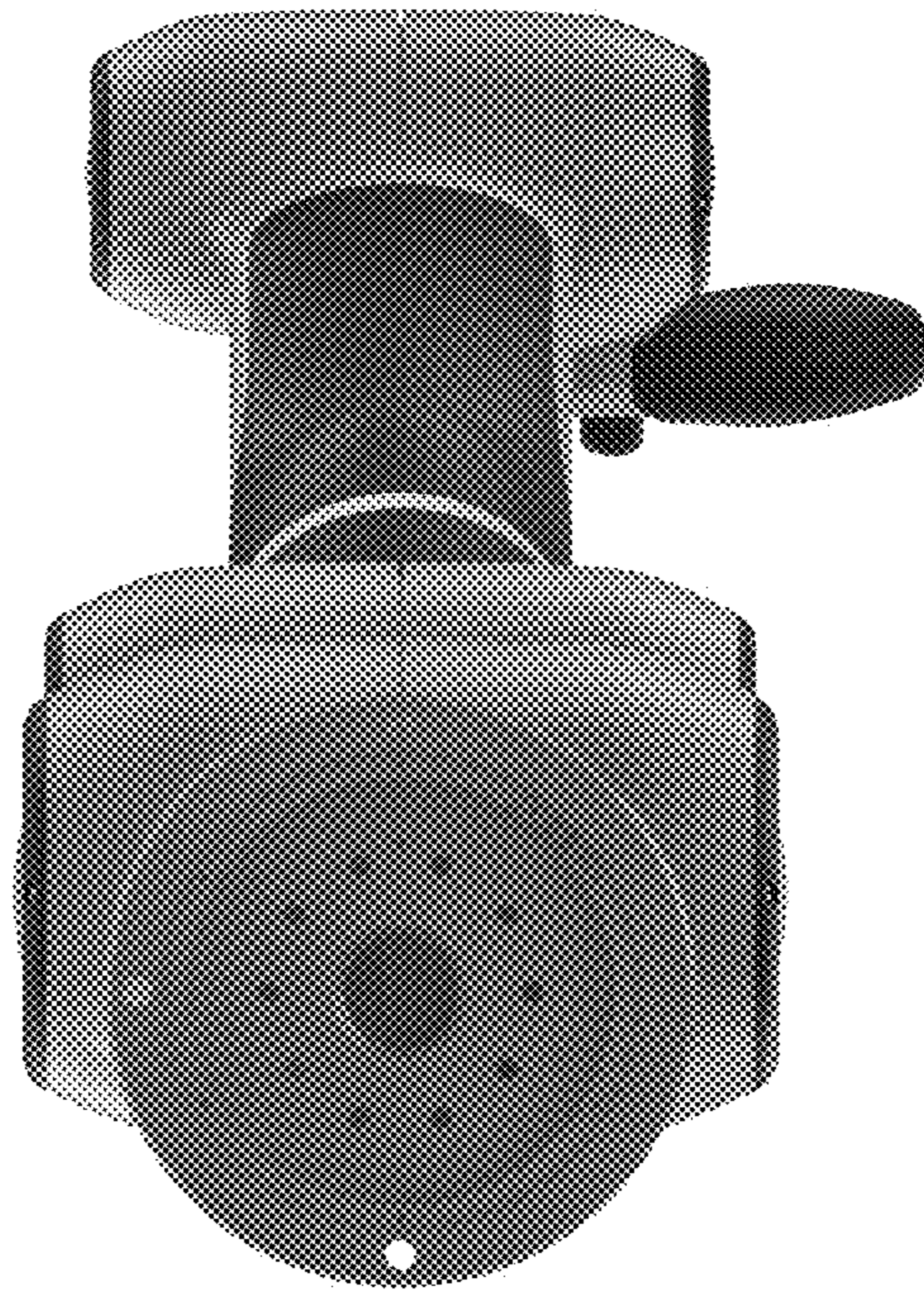


Figure 8



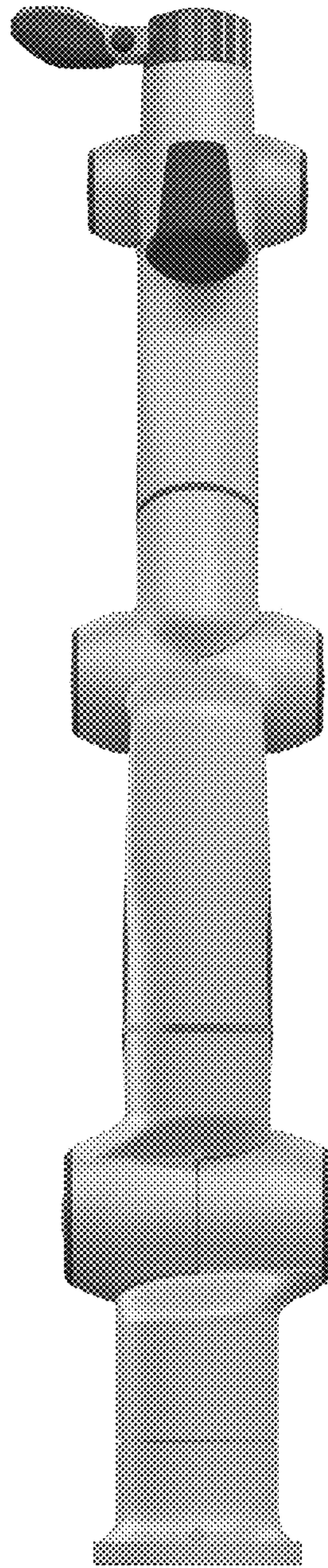


Figure 9

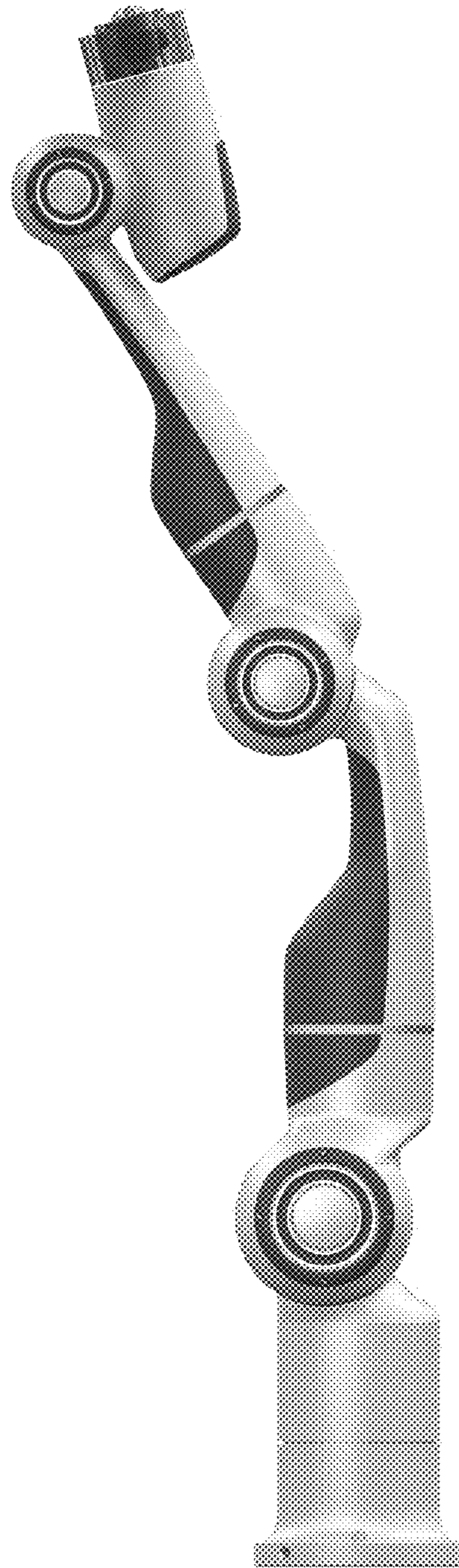


Figure 10

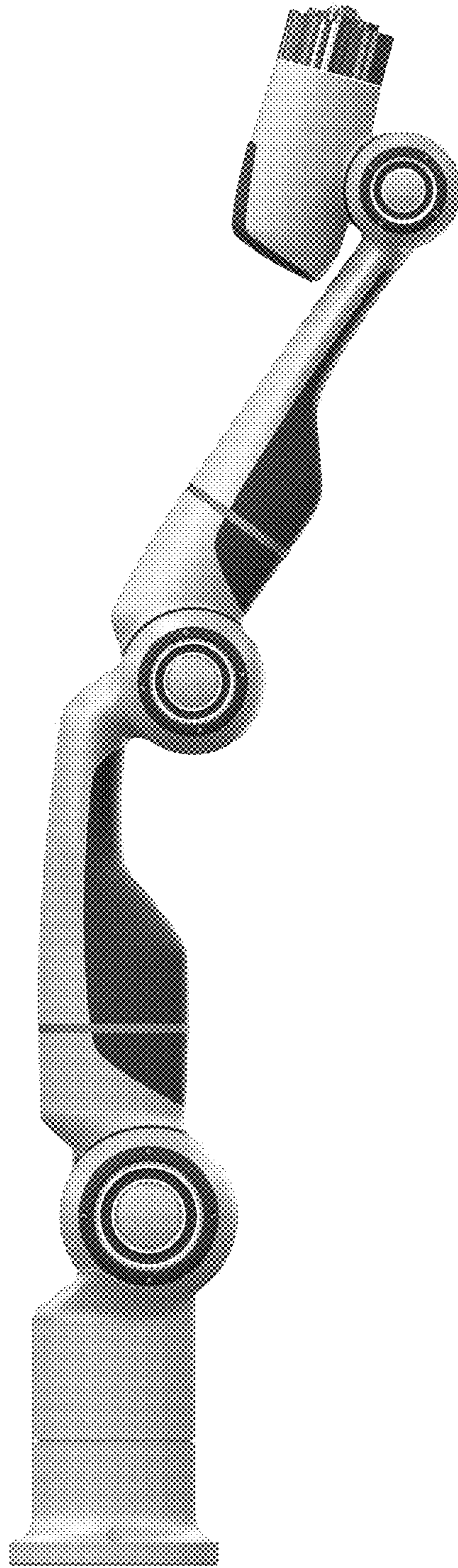


Figure 11

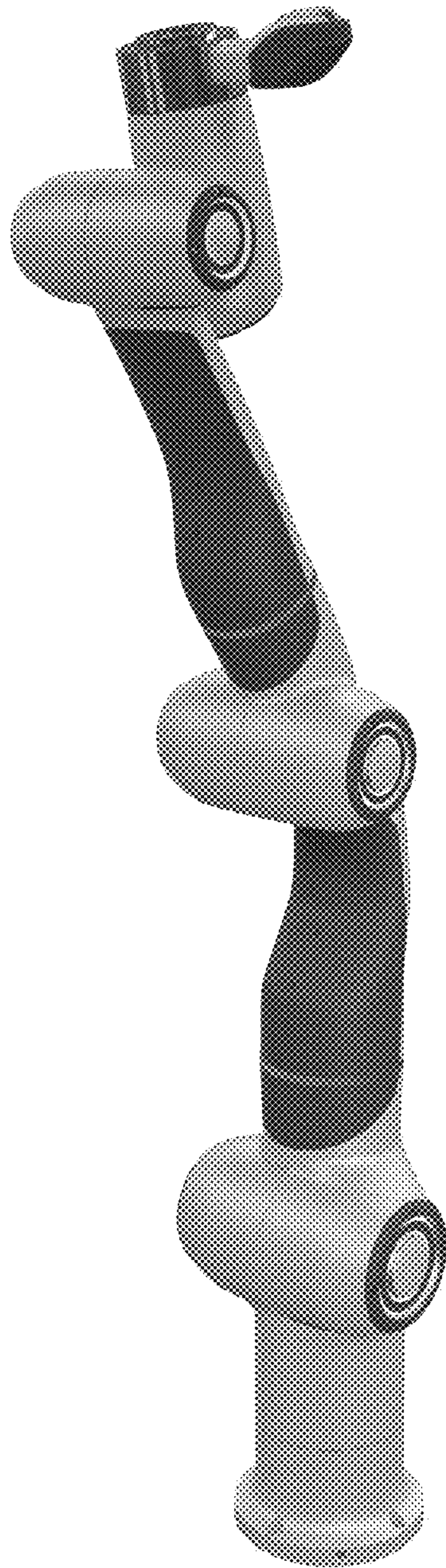


Figure 12

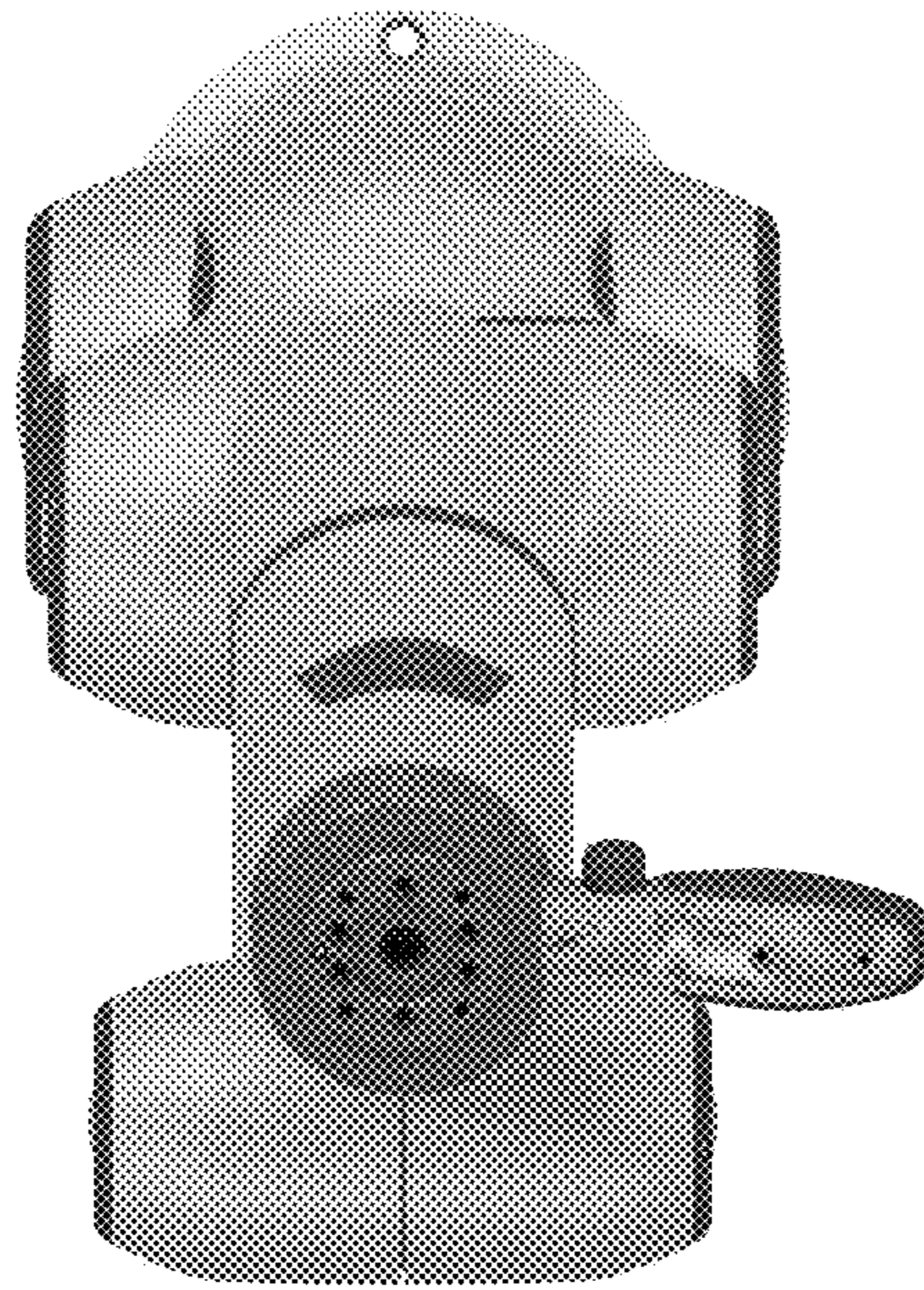


Figure 13

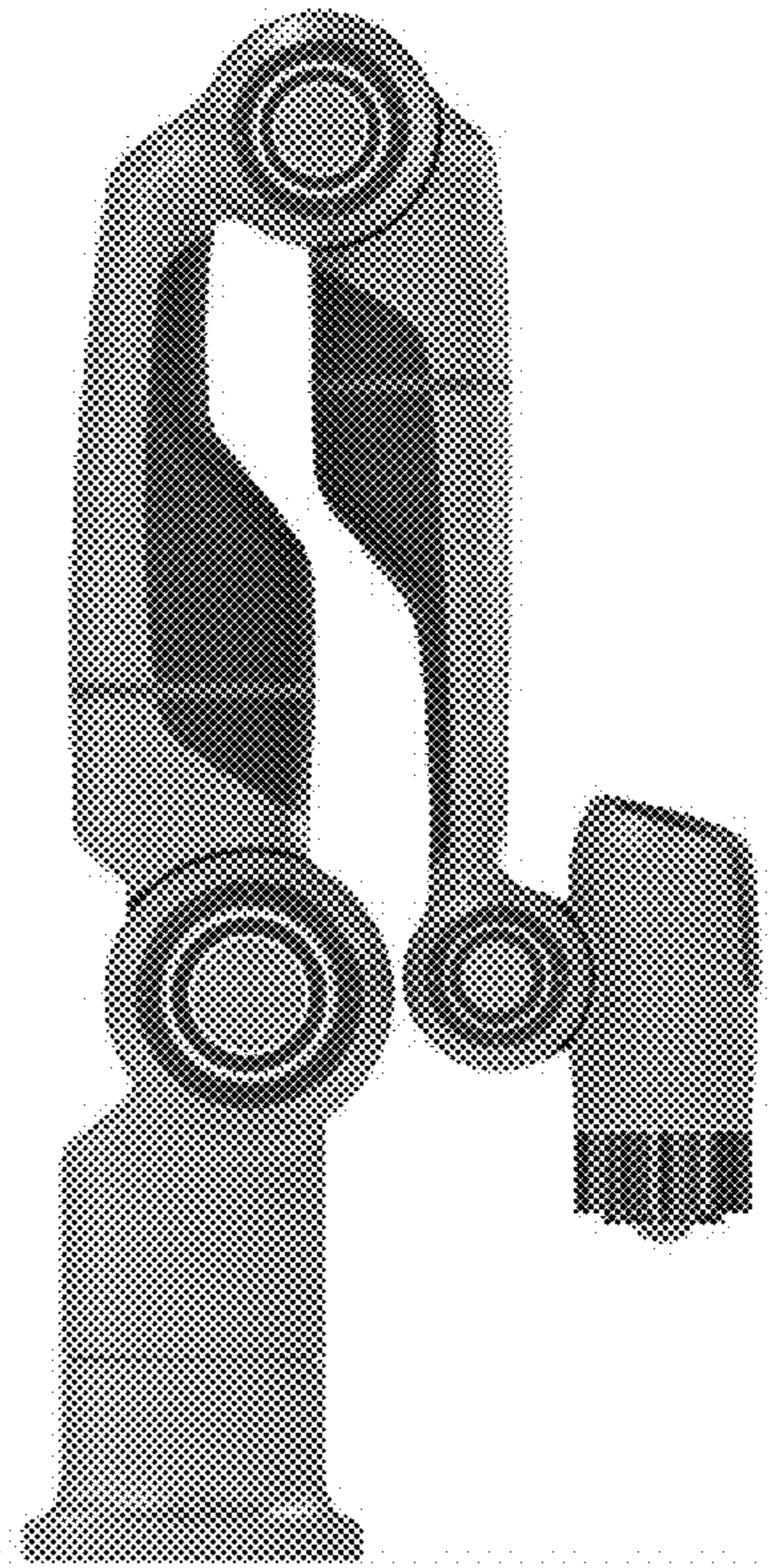


Figure 14

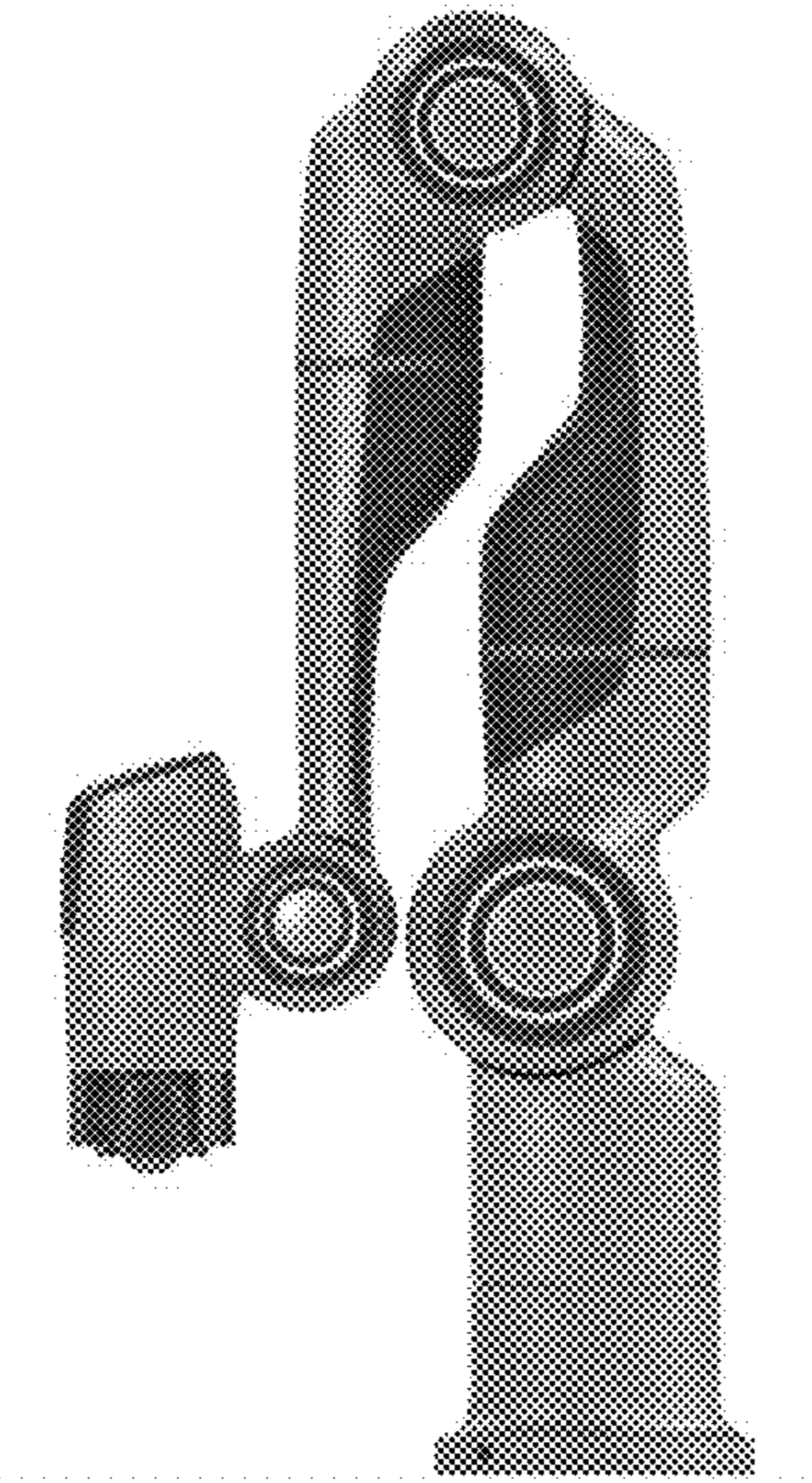


Figure 15

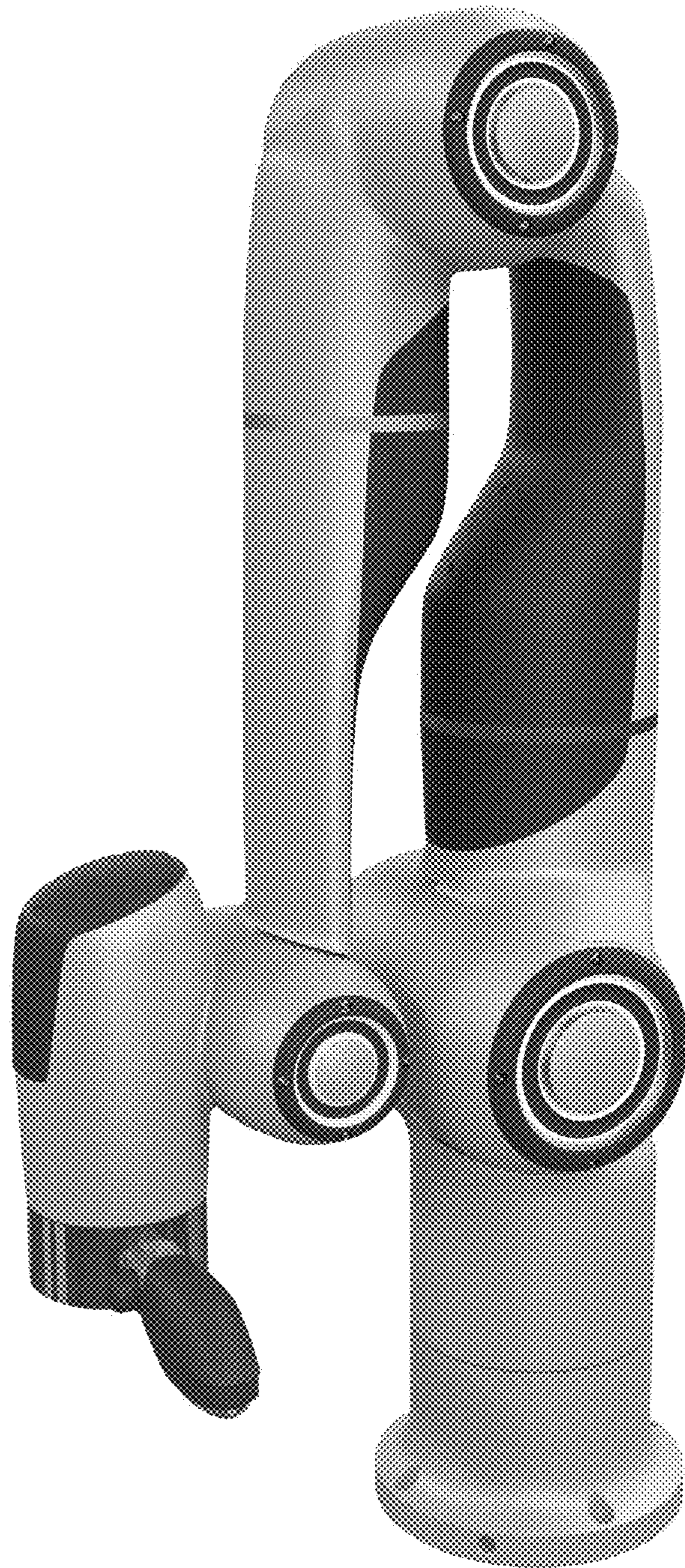


Figure 16

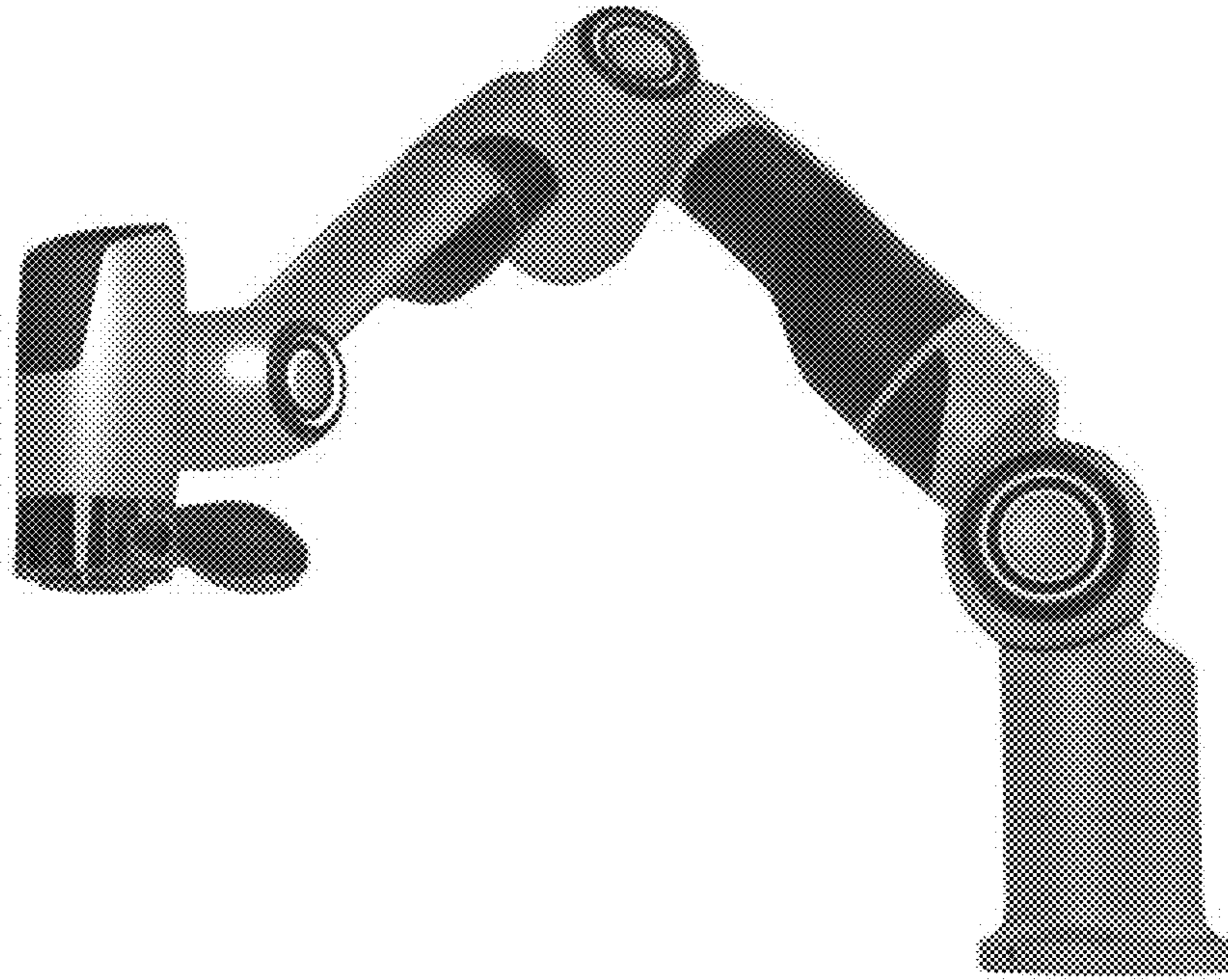


Figure 17

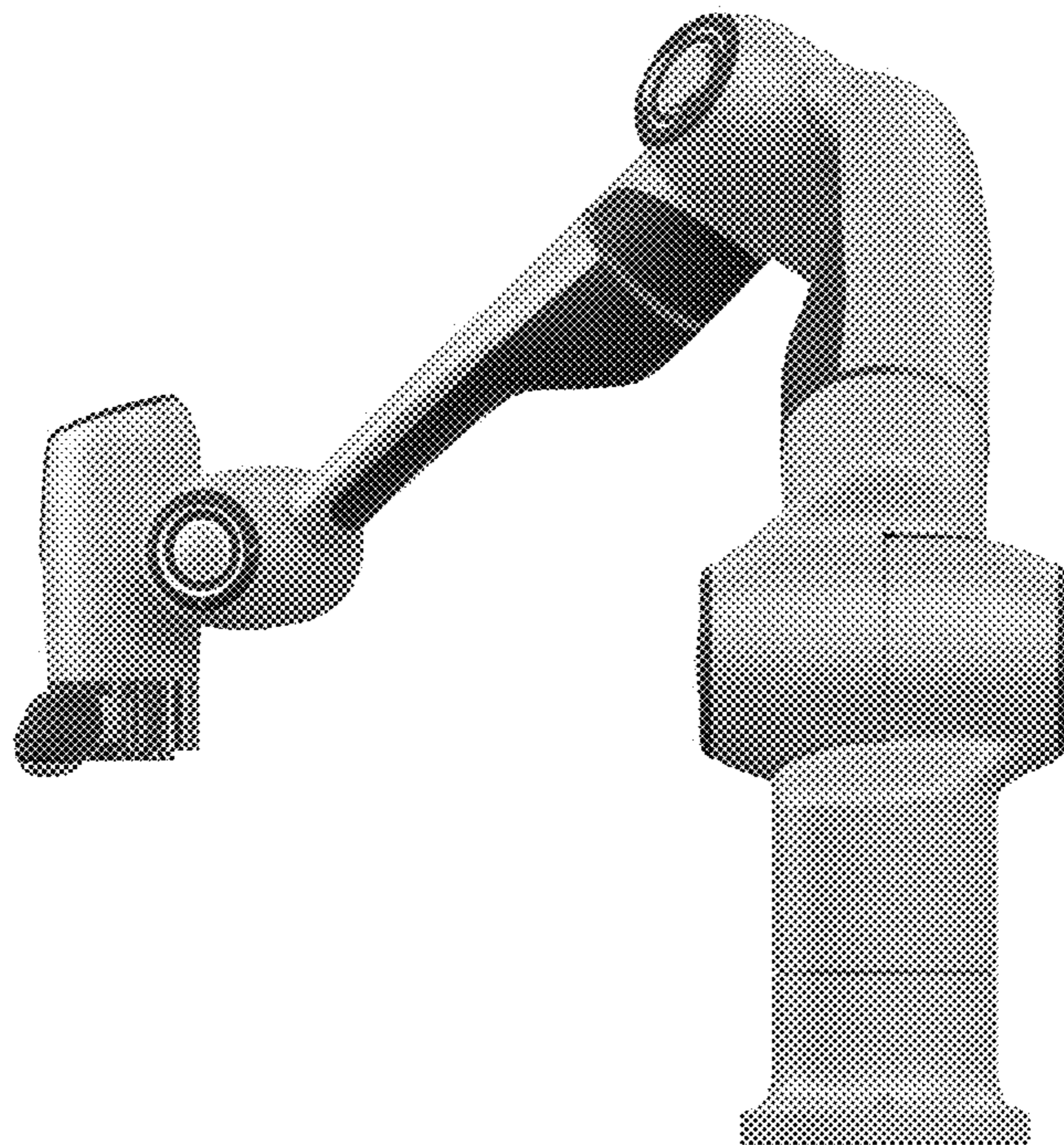


Figure 18





Figure 19

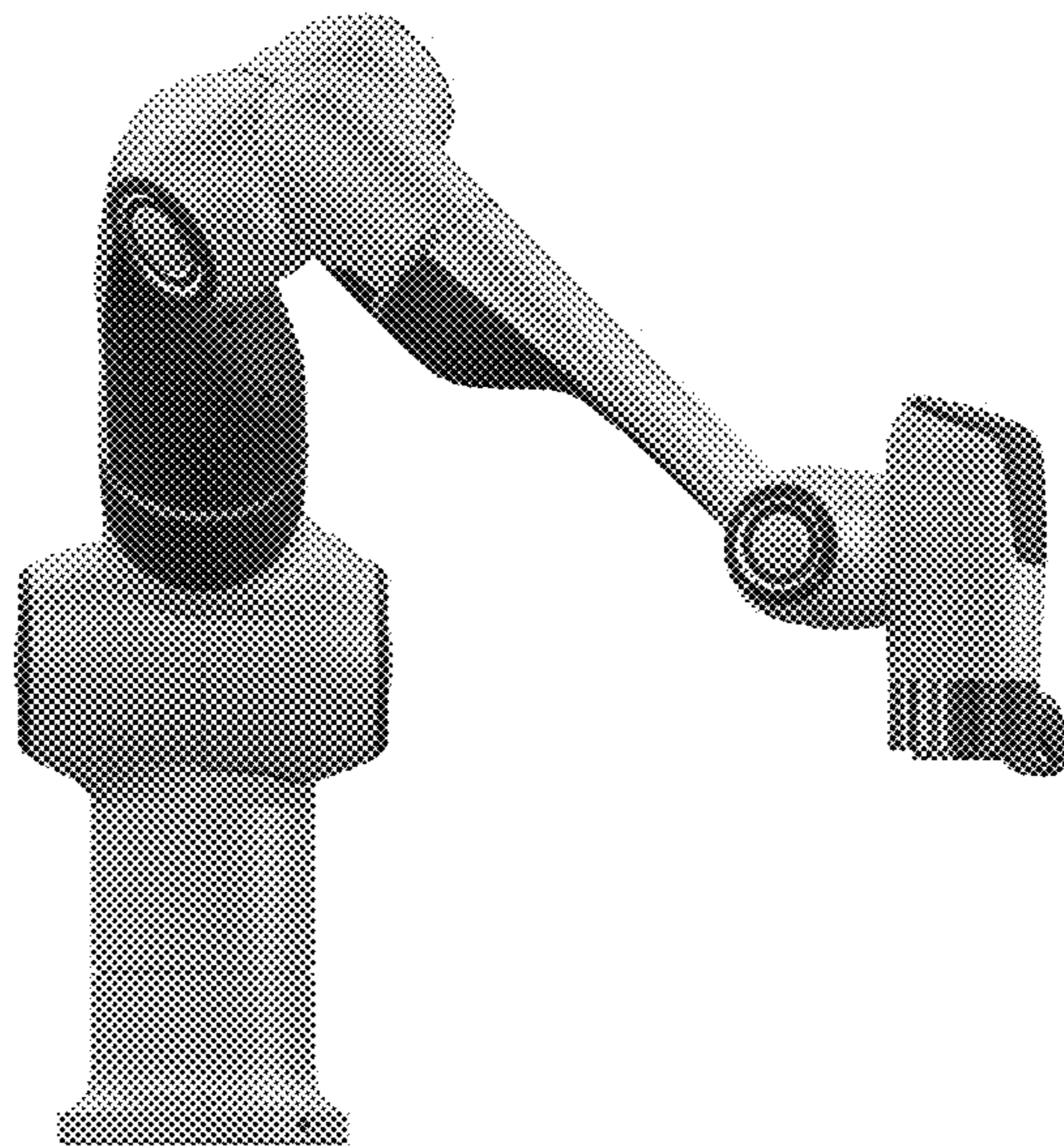


Figure 20

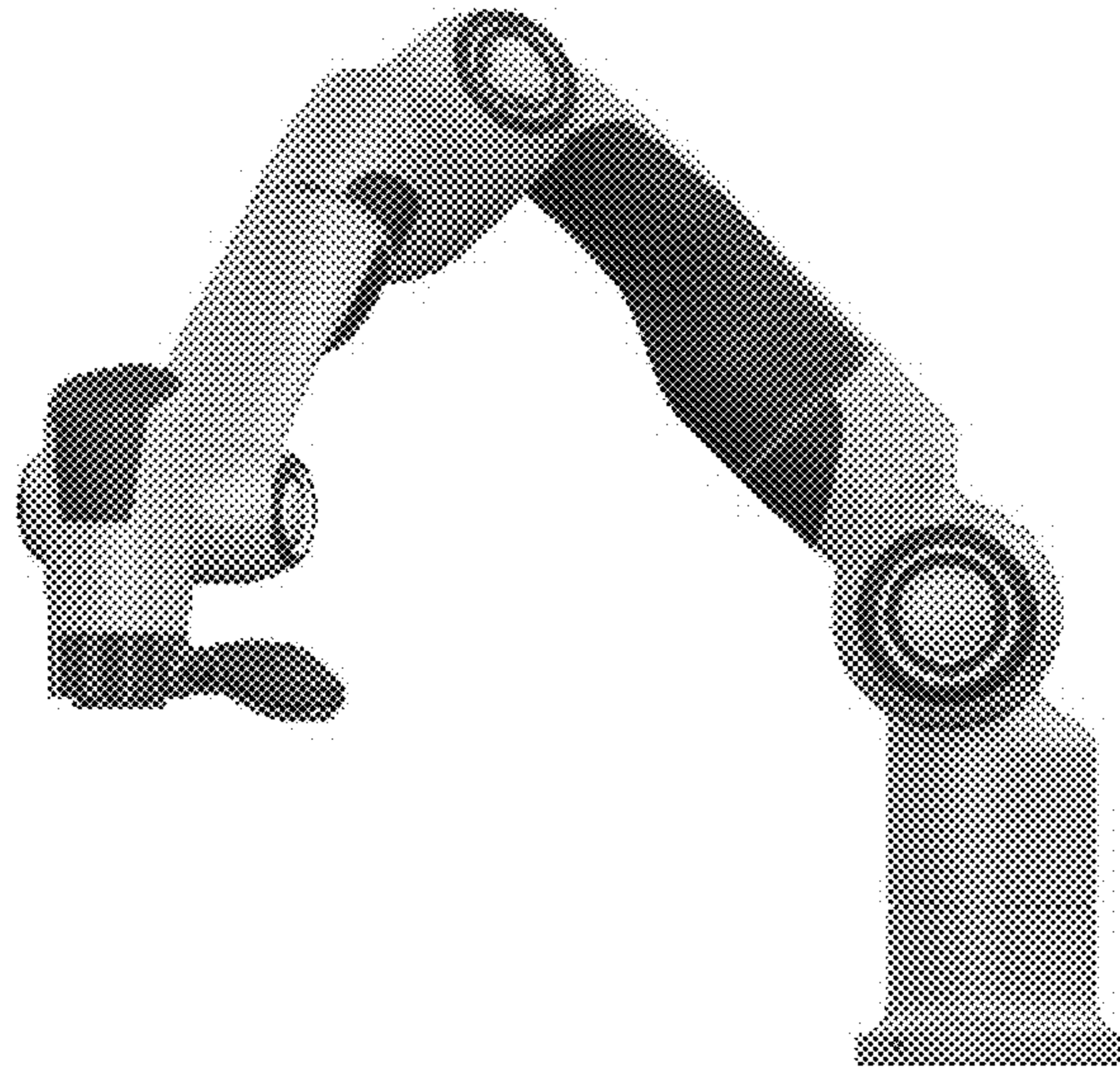


Figure 21

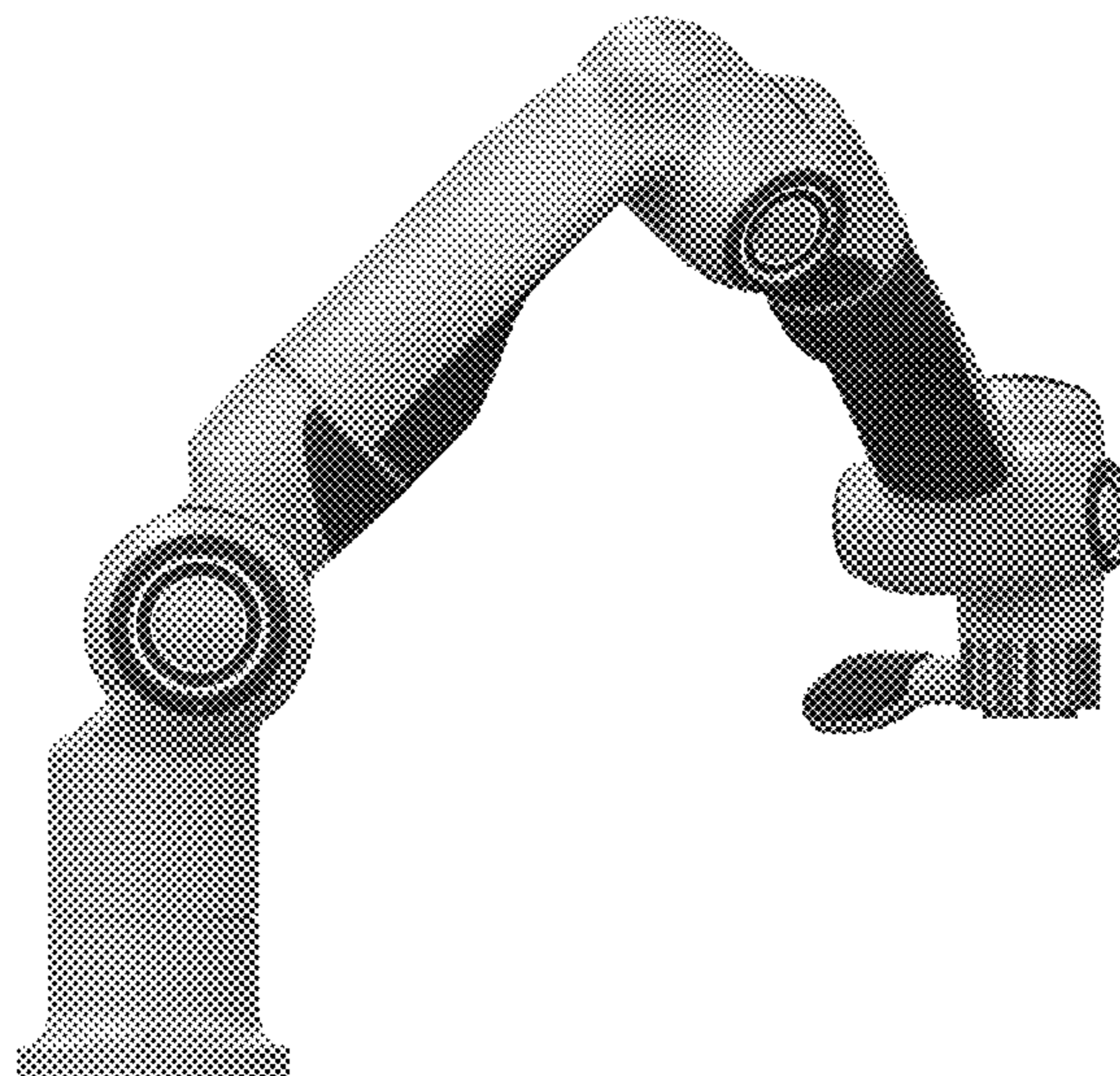


Figure 22

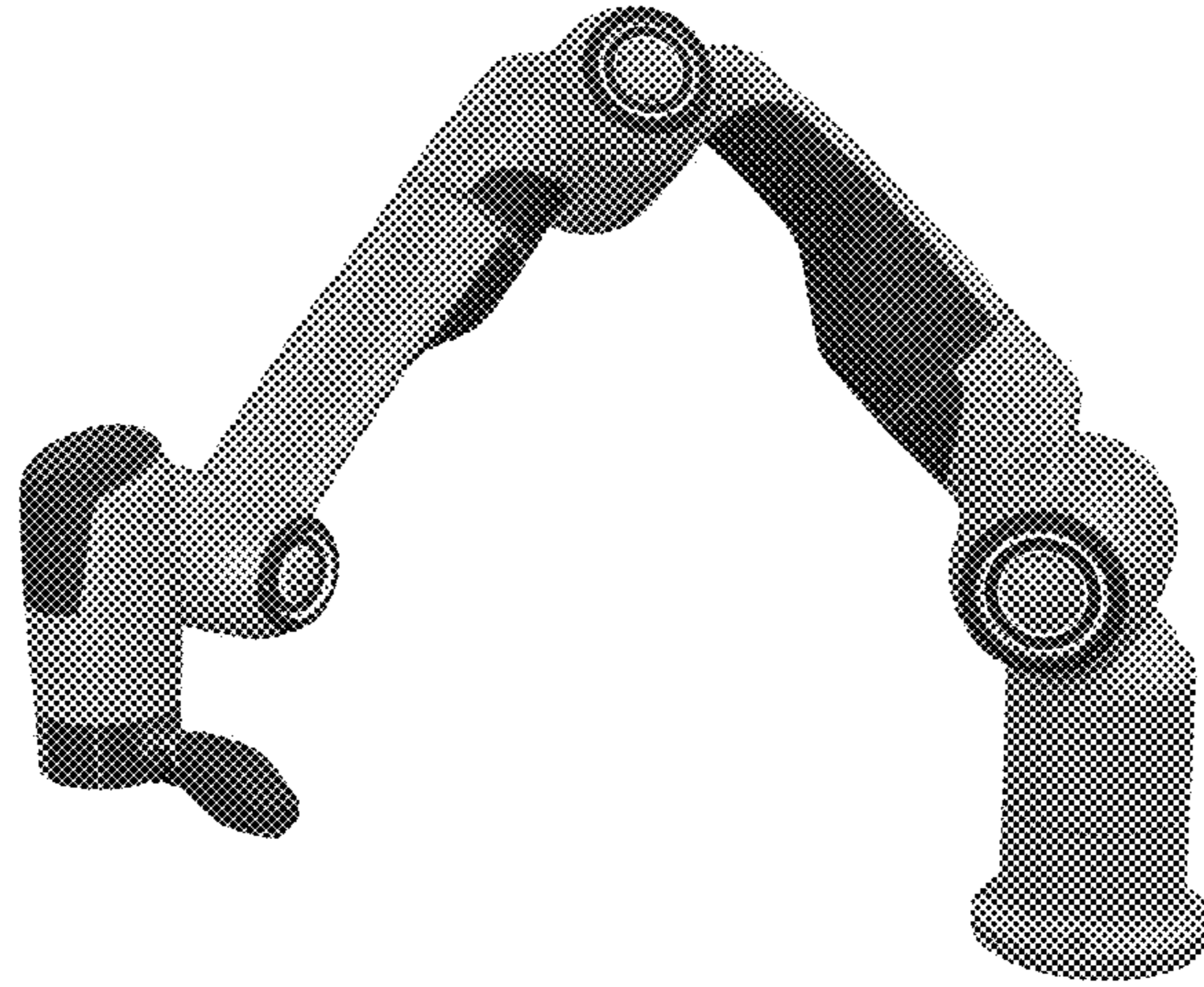


Figure 23

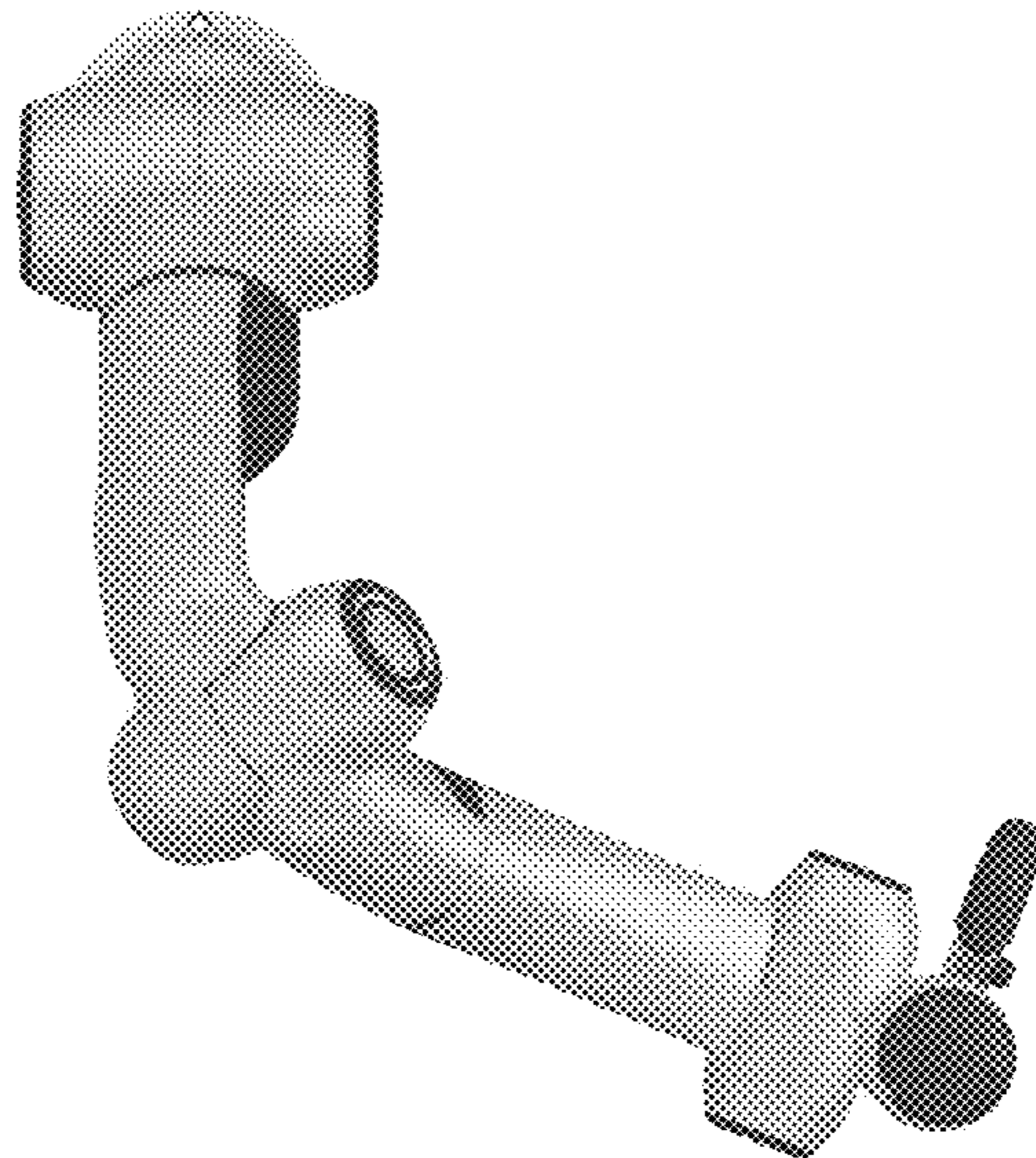


Figure 24