



US00D906390S

(12) **United States Design Patent**
Kapuria et al.

(10) **Patent No.:** **US D906,390 S**

(45) **Date of Patent:** **** Dec. 29, 2020**

(54) **MOBILE ROBOT**

(71) Applicant: **THE HI-TECH ROBOTIC SYSTEMZ LTD**, Haryana (IN)

(72) Inventors: **Anuj Kapuria**, Haryana (IN); **Ritukar Vijay**, Haryana (IN)

(73) Assignee: **THE HI-TECH ROBOTIC SYSTEMZ LTD**, Gurugram (IN)

(**) Term: **15 Years**

(21) Appl. No.: **29/649,694**

(22) Filed: **May 31, 2018**

(30) **Foreign Application Priority Data**

Dec. 14, 2017 (IN) 300360

(51) **LOC (12) Cl.** **15-99**

(52) **U.S. Cl.**
USPC **D15/199**

(58) **Field of Classification Search**
USPC D15/199; D21/578-583, 621, 622;
D32/21
CPC B25J 5/007; B25J 9/1694; G05D 1/027;
G05D 1/0011; G05D 1/0231; G05D
1/0242; Y10S 901/01; Y10S 901/46;
Y10S 901/49

See application file for complete search history.

(56) **References Cited**

U.S. PATENT DOCUMENTS

D700,923 S * 3/2014 Lin D15/143
D810,799 S * 2/2018 Sokuza D15/199
D812,663 S * 3/2018 Waters D15/199
D832,372 S * 10/2018 Huang D21/578
D839,331 S * 1/2019 Nilsson D15/199
D853,461 S * 7/2019 Cheikh D15/199

D857,773 S * 8/2019 Muraishi D15/199
D863,387 S * 10/2019 Wang D15/199
D864,270 S * 10/2019 Hu D15/199
D865,021 S * 10/2019 Hu D15/199
10,493,624 B1 * 12/2019 Nabat B25J 9/1633
2006/0186561 A1 * 8/2006 Song A47L 7/04
261/26
2009/0035181 A1 * 2/2009 Chung A61B 5/00
422/68.1
2010/0228394 A1 * 9/2010 Yi G05D 1/0246
700/253
2012/0026481 A1 * 2/2012 Chen G05D 1/0242
356/4.01
2015/0020326 A1 * 1/2015 Schnittman A47L 11/34
15/52.1
2015/0166060 A1 * 6/2015 Smith B60W 30/09
701/23
2016/0271795 A1 * 9/2016 Vicenti B25J 9/163
2017/0038776 A1 * 2/2017 Gariepy G05D 1/0022
2017/0150863 A1 * 6/2017 Kim A47L 9/2805
2017/0269212 A1 * 9/2017 Strang G01S 7/4816

(Continued)

Primary Examiner — Patricia A Palasik

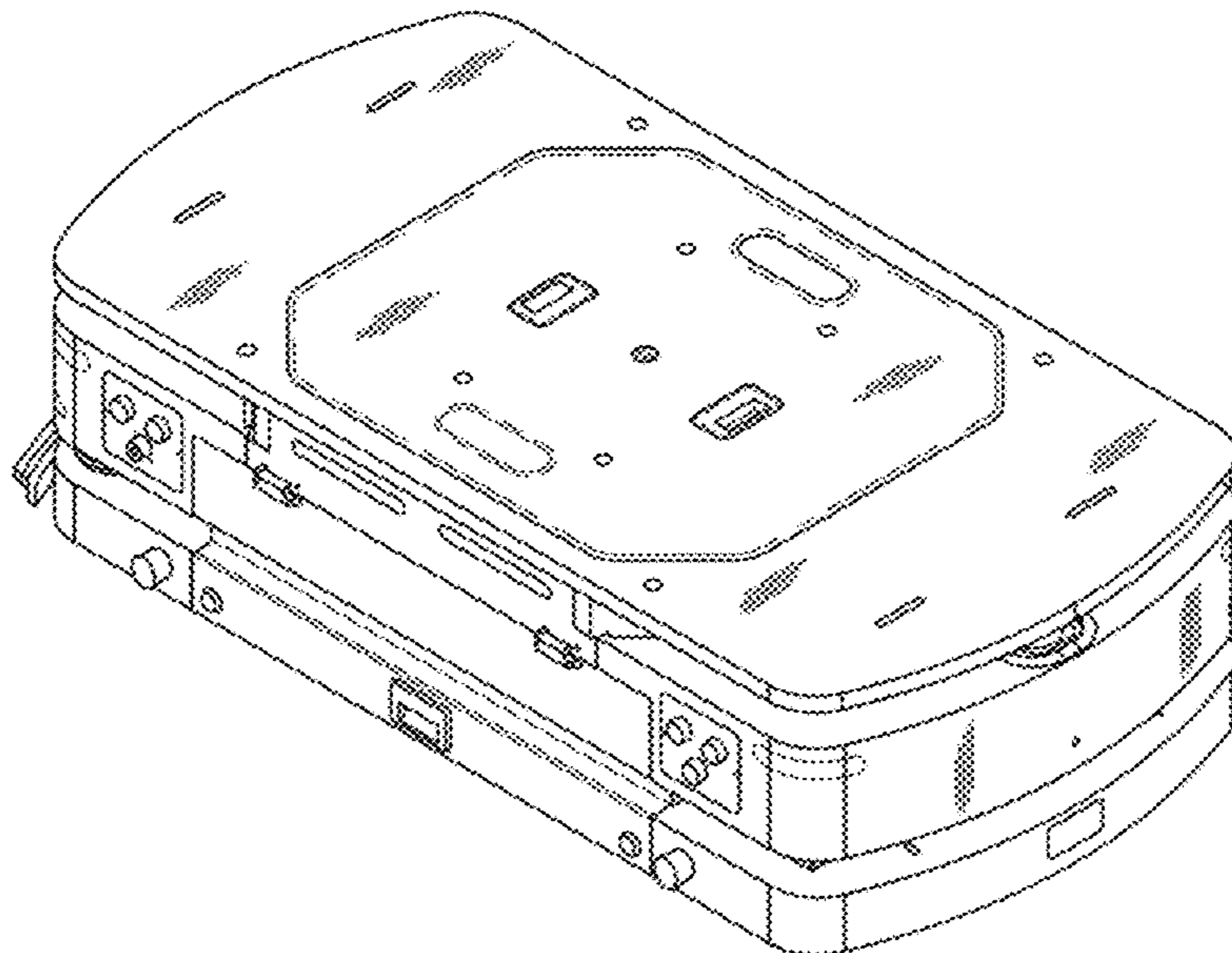
(57) **CLAIM**

The ornamental design for a mobile robot, as shown and described.

DESCRIPTION

FIG. 1 is a top, rear and right side perspective view of a mobile robot showing our new design; FIG. 2 is a top, front and left side perspective view thereof; FIG. 3 is a front elevational view thereof; FIG. 4 is a rear elevational view thereof; FIG. 5 is a left side view thereof; FIG. 6 is a right side view thereof; FIG. 7 is a top plan view thereof; and, FIG. 8 is a bottom plan view thereof. The broken lines in the drawings depict portions of the mobile robot and form no part of the claimed design.

1 Claim, 8 Drawing Sheets



(56)

References Cited

U.S. PATENT DOCUMENTS

2017/0332862 A1* 11/2017 Jun G05D 1/0248
2017/0332872 A1* 11/2017 Jun G06T 7/521
2018/0186001 A1* 7/2018 Scheurer B25J 9/162
2018/0192842 A1* 7/2018 Sung A47L 9/009
2018/0213987 A1* 8/2018 Hong A47L 9/02
2018/0213992 A1* 8/2018 Koetz A47L 9/0411
2018/0284786 A1* 10/2018 Moshkina-Martinson
A47L 9/2847
2018/0329409 A1* 11/2018 Huang G05D 1/0246
2019/0014964 A1* 1/2019 Velasquez A47L 11/34
2019/0015990 A1* 1/2019 Hillen B25J 9/1697
2019/0133396 A1* 5/2019 Lim A47L 9/28
2019/0174987 A1* 6/2019 Strang A47L 9/2857
2019/0176330 A1* 6/2019 Noh B25J 9/1697
2019/0208970 A1* 7/2019 Suchman A47L 7/0028
2019/0282050 A1* 9/2019 Hyun A47L 9/16
2019/0332115 A1* 10/2019 Lim A47L 9/28

* cited by examiner

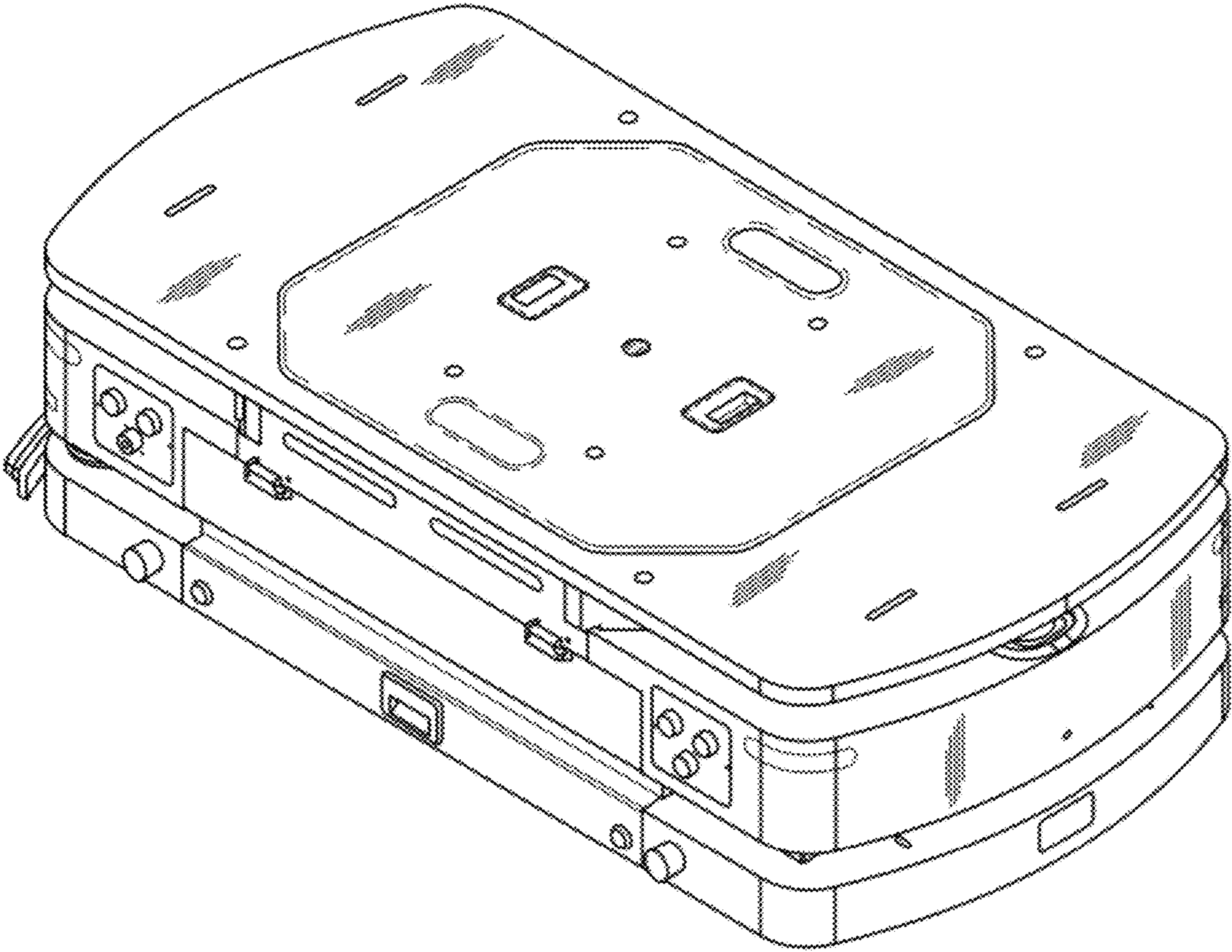


Fig. 1

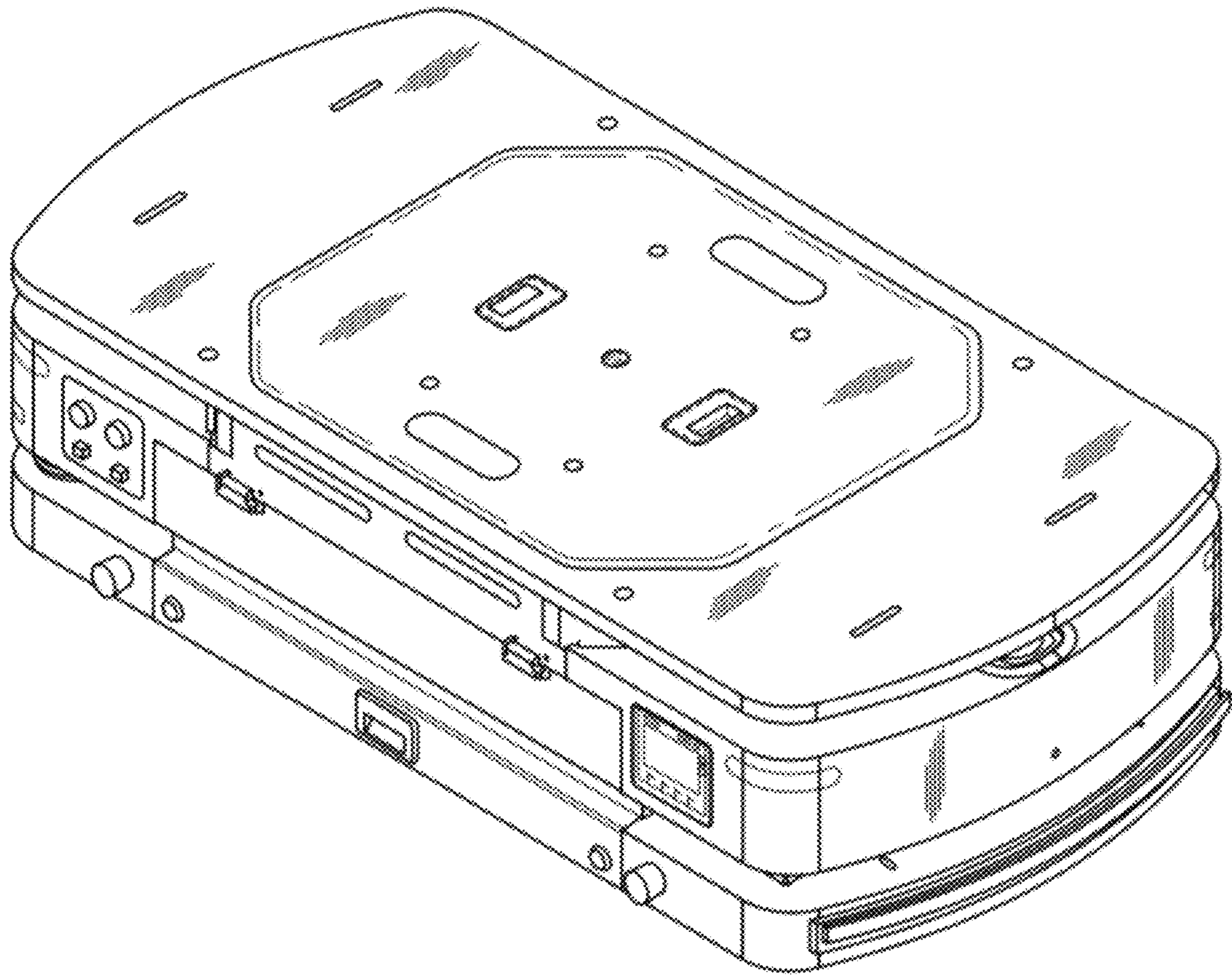


Fig. 2

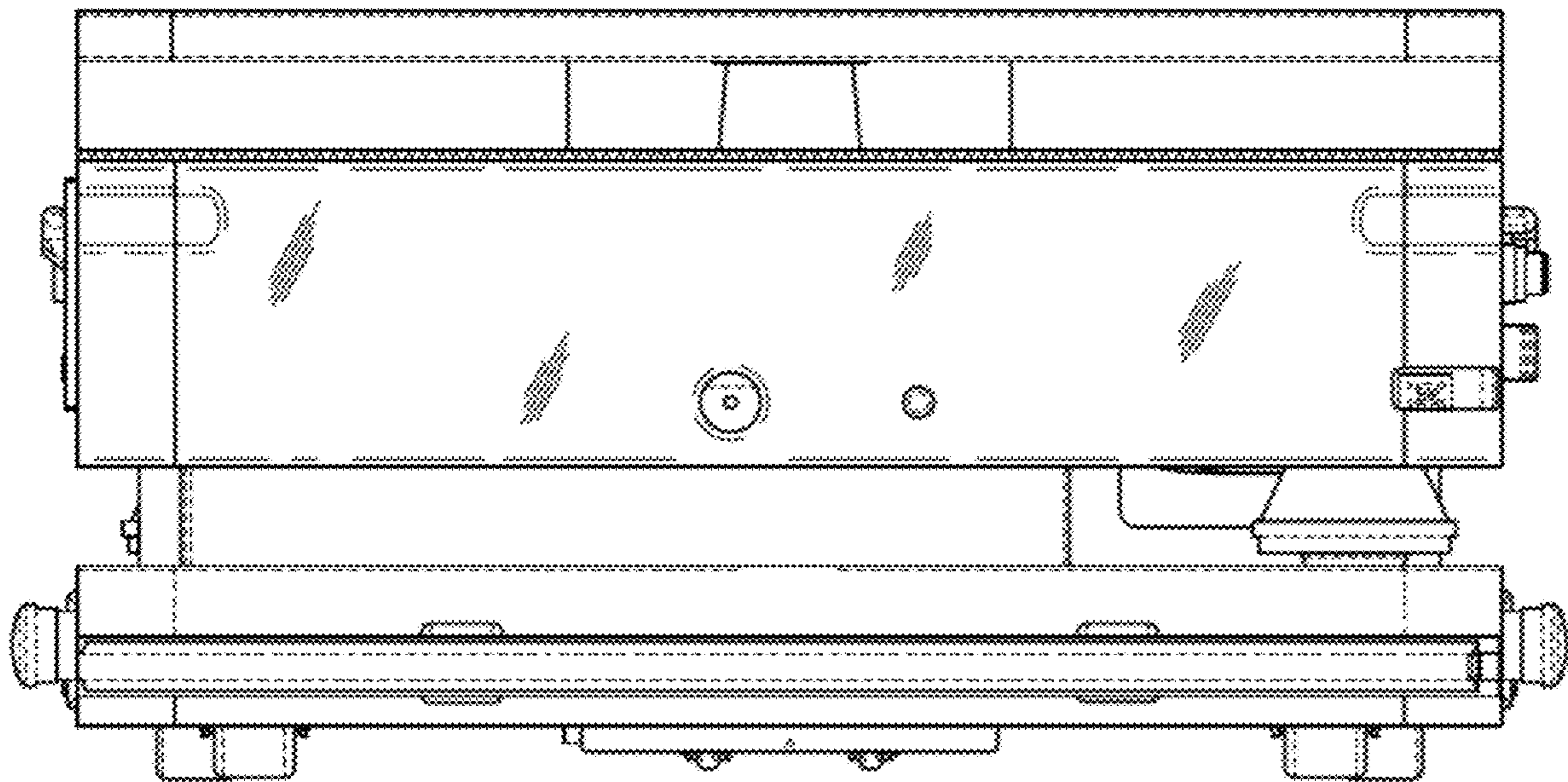


Fig. 3

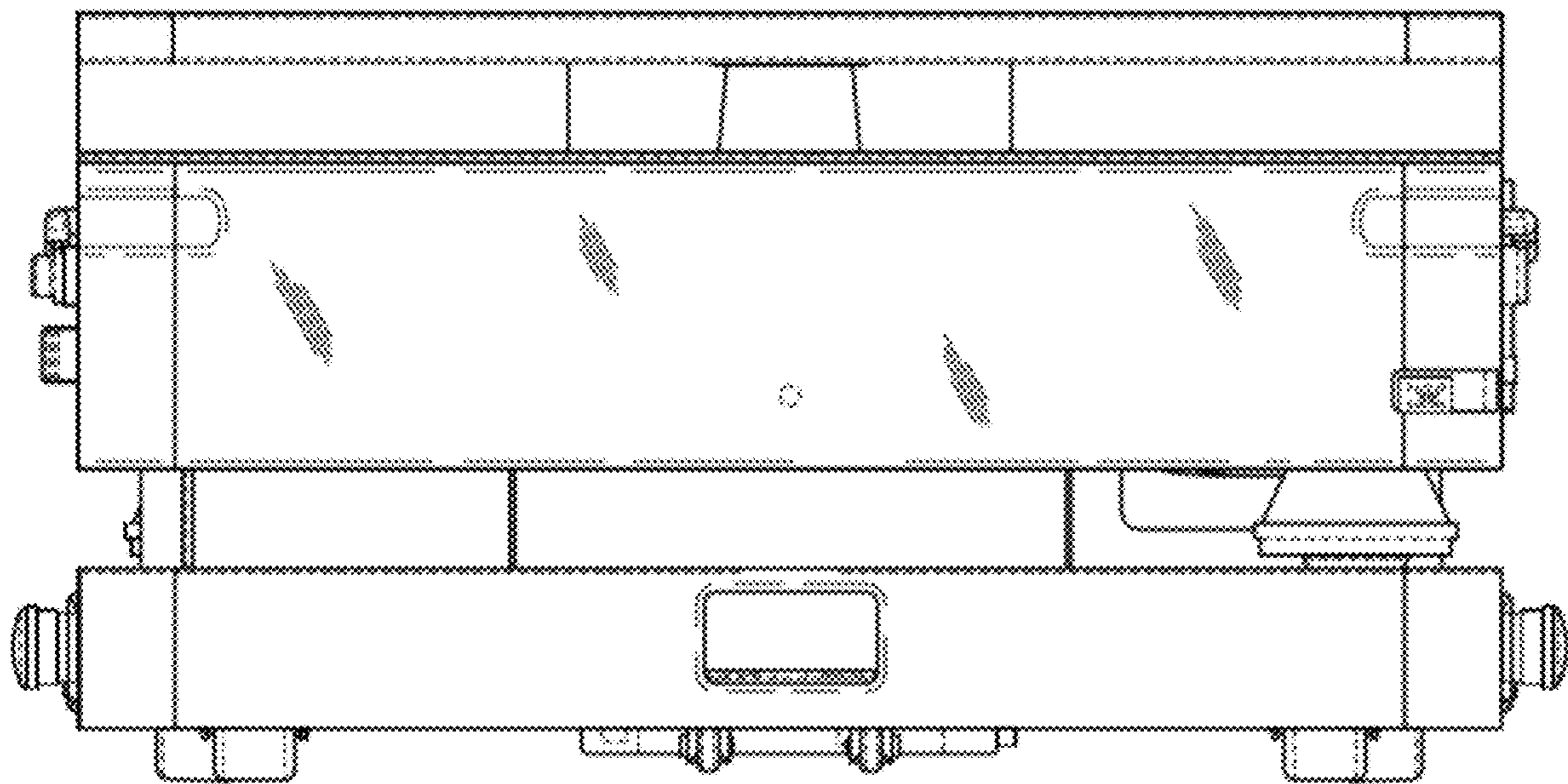


Fig. 4

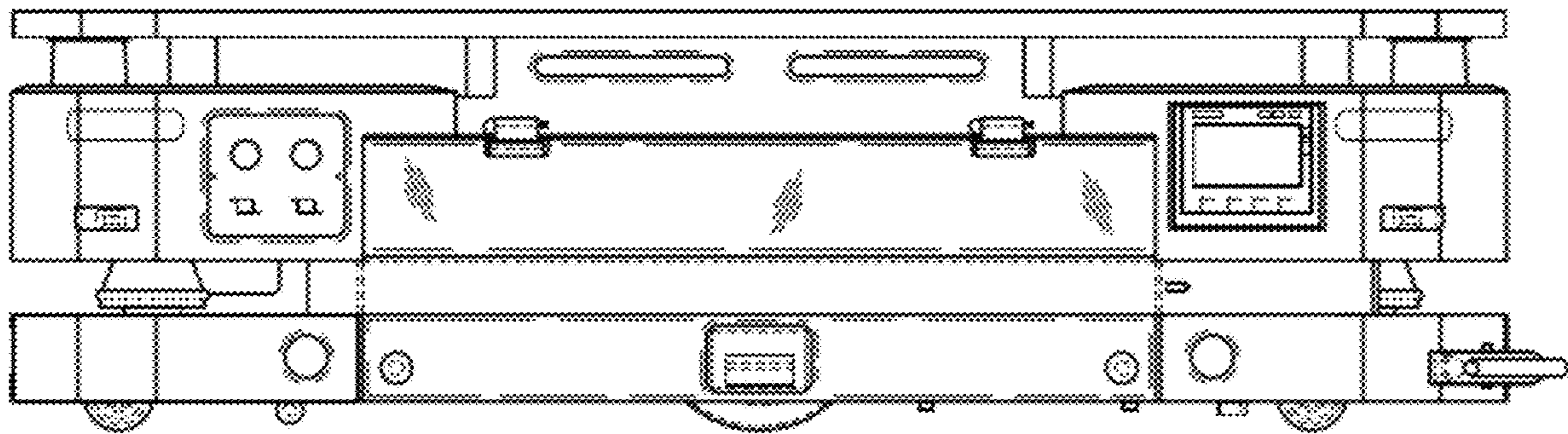


Fig. 5

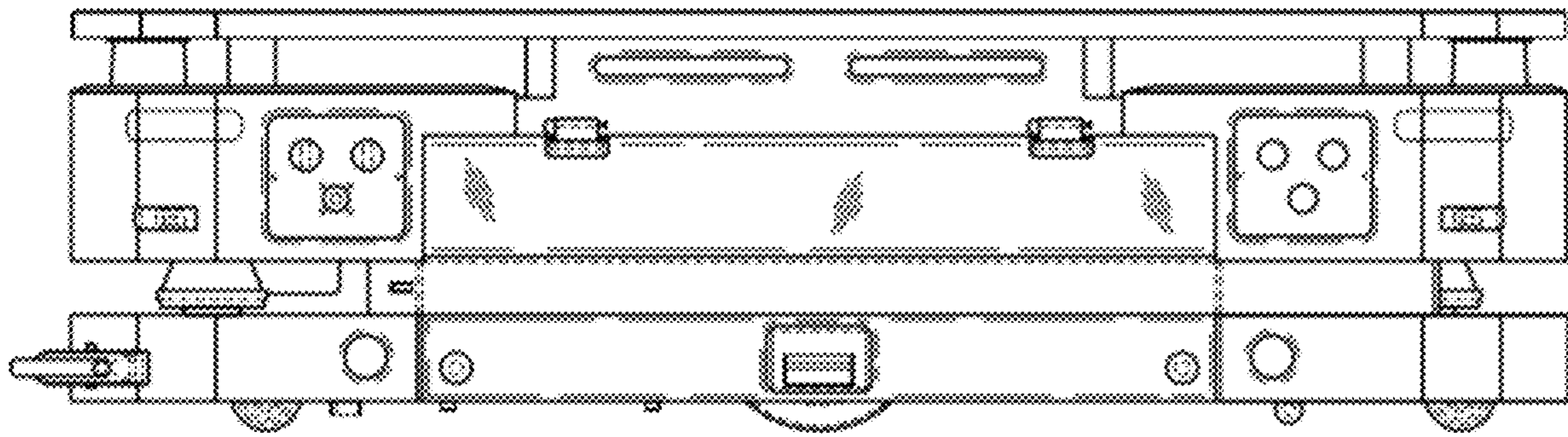


Fig. 6

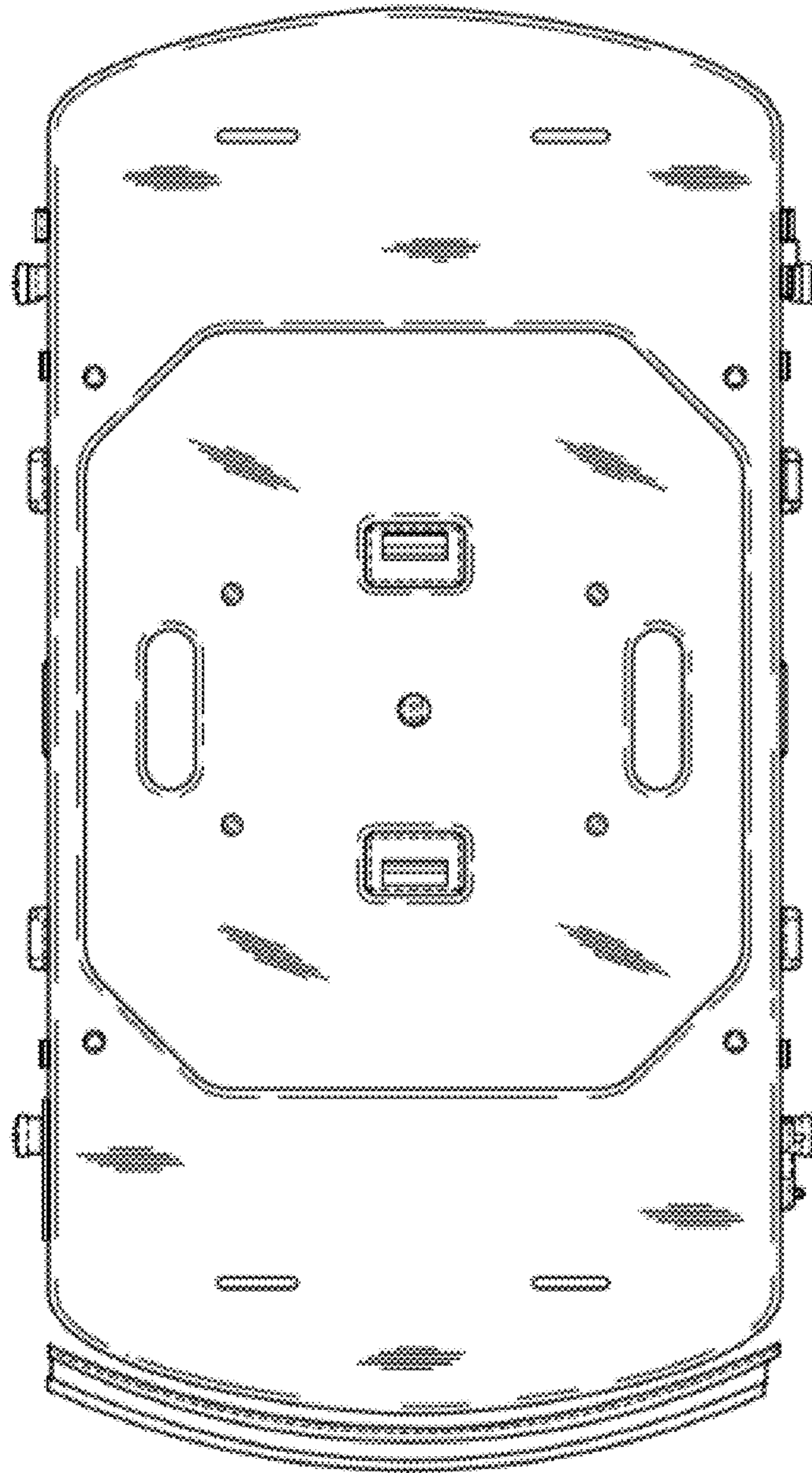


Fig. 7

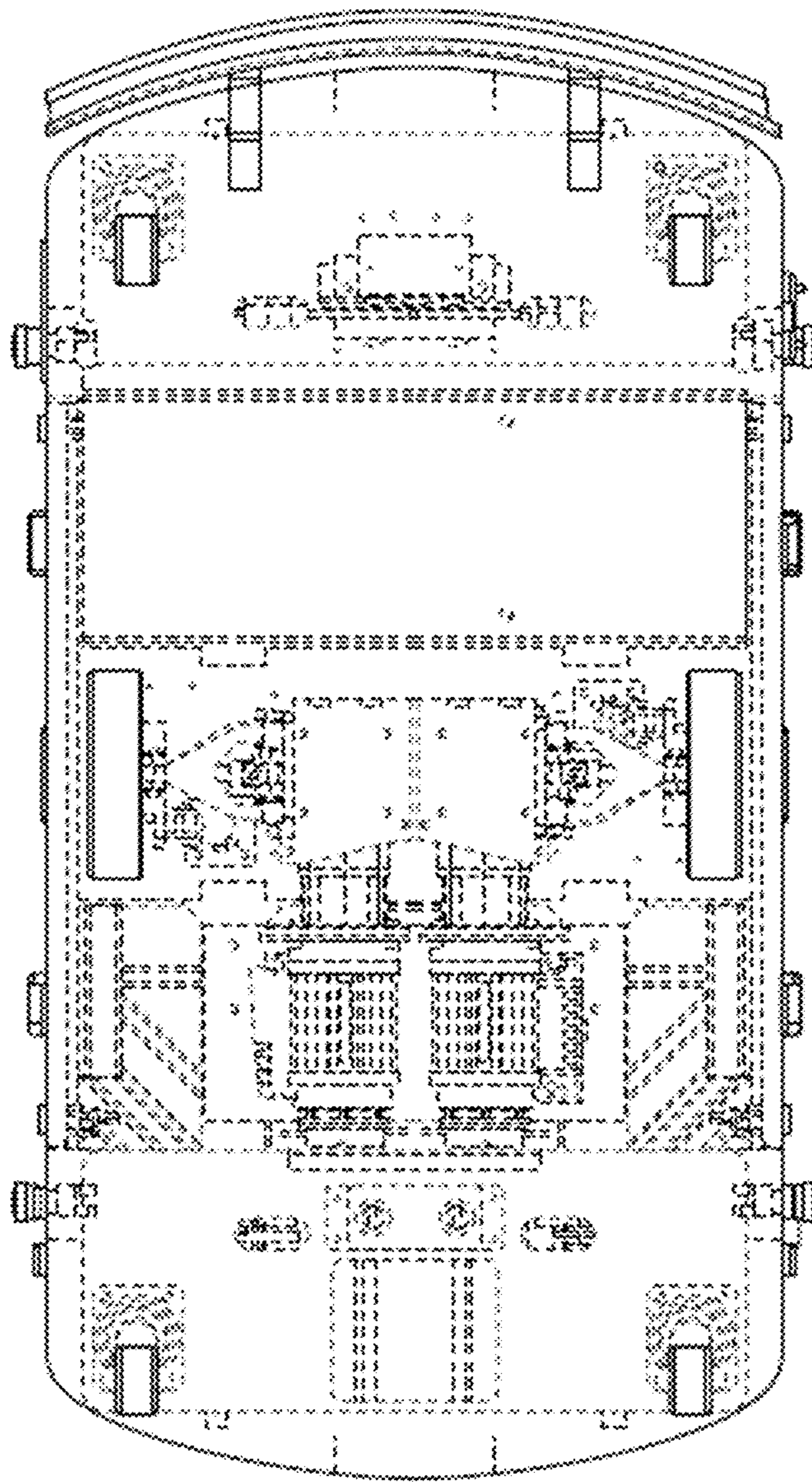


Fig. 8